



INSTRUCTIONS

94100365

2024-12-13



STAGE I & II SPEAKER KIT-FRAME MOUNTED FAIRING (PN 76001297 AND 76001298)

GENERAL INFORMATION

Table 1. General Information

Kits	Suggested Tools	Skill Level ⁽¹⁾
76001297, 76001298	Safety Glasses, Torque Wrench	
<i>(1) Tightening to torque value or other moderate tools and techniques required</i>		

KIT CONTENTS

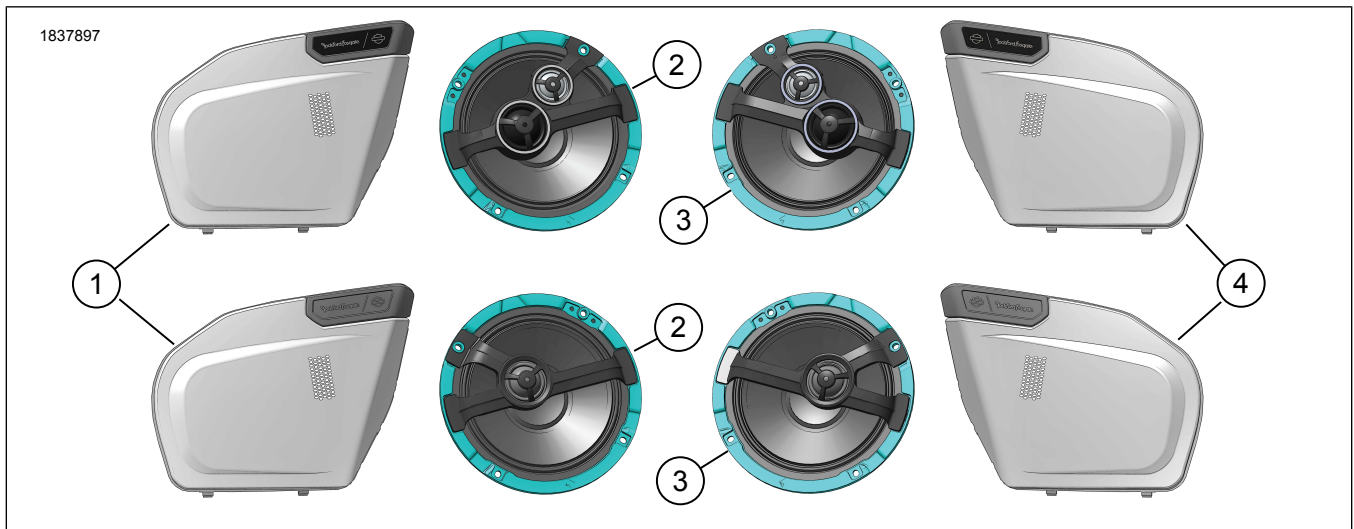


Figure 1. Kit Contents: Stage I & II Speaker

Table 2. Kit Contents: Stage I & II Speaker

<input checked="" type="checkbox"/>	Verify that all contents are present in the kit before installing or removing items from vehicle.				
Item	Qty	Description	Part No.	Notes	
<input type="checkbox"/>	1	Grille assembly, left, Stage 1 Speaker	76001148		
<input type="checkbox"/>	1	Grille assembly, left, Stage 2 Speaker	76001146		
<input type="checkbox"/>	2	Stage 1 speaker, left, 6.5 inch	76000998		
<input type="checkbox"/>	2	Stage 2 speaker, left, 6.5 inch	76000999		
<input type="checkbox"/>	3	Stage 1 speaker, right, 6.5 inch	76001010		
<input type="checkbox"/>	3	Stage 2 speaker, right, 6.5 inch	76001011		
<input type="checkbox"/>	4	Grille assembly, right, Stage 1 Speaker	76001149		
<input type="checkbox"/>	4	Grille assembly, right, Stage 2 Speaker	76001147		

GENERAL

Models

For model fitment information, see the Parts and Accessories (P&A) Retail Catalog or the Parts and Accessories section of www.harley-davidson.com.

Fits: 2023 CVO Street Glide (FLHXSE), Road Glide (FLTRXSE) and 2024 Street Glide (FLHX), Road Glide (FLTRX).

Verify that the most current version of the instruction sheet is used. It is available at: h-d.com/isheets

Contact Harley-Davidson Customer Support Center at 1-800-258-2464 (U.S. only) or 1-414-343-4056.

Installation Requirements

▲ WARNING

Rider and passenger safety depend upon the correct installation of this kit. Use the appropriate service manual procedures. If the procedure is not within your capabilities or you do not have the correct tools, have a Harley-Davidson dealer perform the installation. Improper installation of this kit could result in death or serious injury. (00333b)

NOTE

This instruction sheet references service manual information. A service manual for the year and model motorcycle is required for this installation and is available from:

- A Harley-Davidson dealer.
- H-D Service Information Portal, a subscription-based access available for most 2001 and newer models. For more information see *Frequently ask questions about subscriptions*.

This item is available at a Harley-Davidson dealership.

- **2024-later FLTRX:** Separate purchase of Amplifier Kit (Part No. 76001294) is required for this installation.

Installation by a technician at a Harley-Davidson dealership is recommended.

To ensure proper audio performance, speaker set up in the Infotainment Control Unit (IFCU) **OR** Digital Technician II (DT II) is required for audio configuration and amplifier firmware update.

NOTE

Ensure to select the proper stage speaker during set up for proper audio functionality and speaker performance. If the wrong stage is selected, this may lead to poor speaker performance and damage.

PREPARE

NOTE

Models with security: Disable security system.

1. Remove left saddlebag. See service manual.
2. Remove left side cover. See service manual.
3. Remove main fuse. See service manual.

REMOVE

NOTE

New speaker components are shown in graphic, Original Equipment Manufacturer (OEM) is similar.

1. Figure 2 Remove Original Equipment (OE) speaker grille (8).
 - a. Using a non-marring tool, pry clips (5) from clip openings (3, 4).
2. Remove speaker screws (1).
3. Figure 3 Remove OE speaker.
 - a. Remove speaker (1) from fairing far enough to gain access to connectors (4).
 - b. Disconnect connectors (4) from speaker terminals (2).
4. Repeat procedure for opposite side.

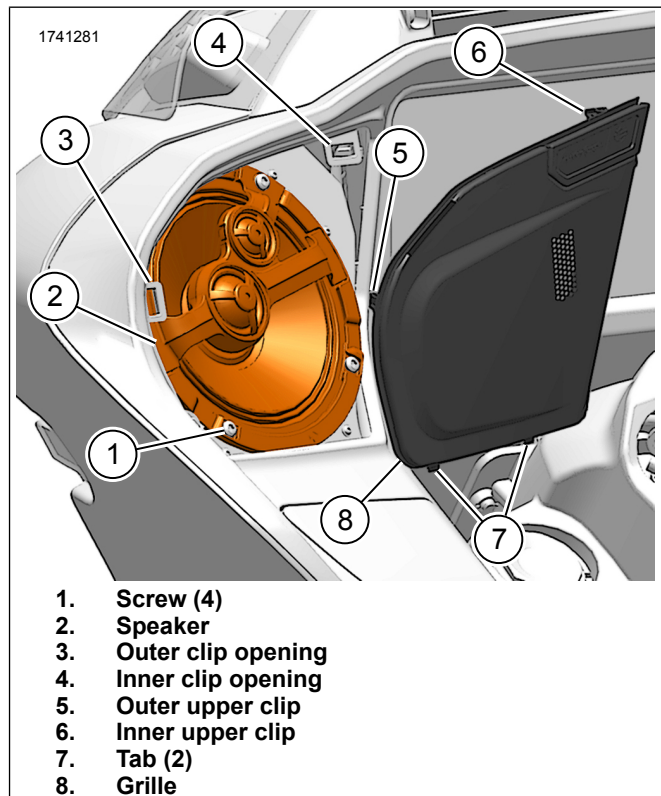


Figure 2. Speaker and Grille (Stage 2 shown, OE similar)

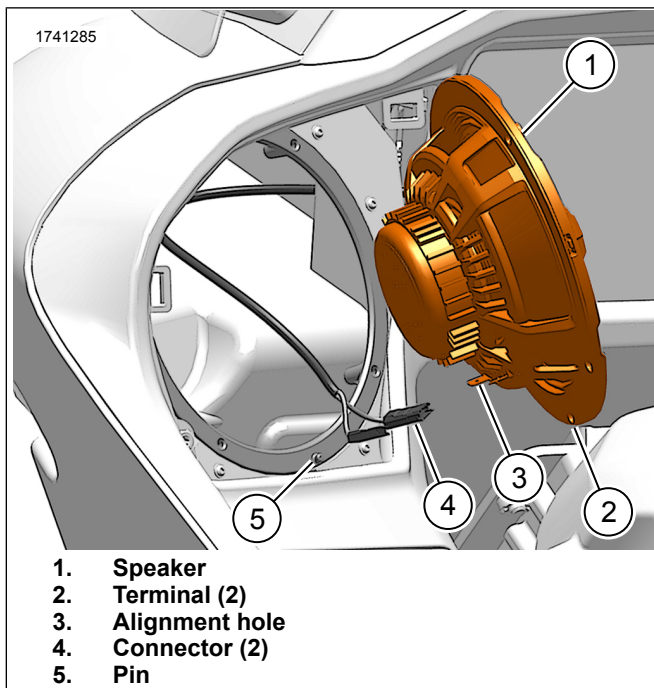


Figure 3. Fairing Speaker Connection

INSTALL

1. Figure 4 Orient Stage I (2, 5) or II (3, 4) speaker as shown.
2. Figure 3 Install Stage I or II speaker.
 - a. Connect connectors (4) to speaker terminals (2).
 - b. Install speaker (1) into enclosure.
3. Figure 2 Install speaker screws.
 - a. Alternately secure screws (1).
 - b. Tighten.

Torque: 1–1.5 N·m (9–13 in-lbs)
4. Install grille.
 - a. Figure 5 Verify clips (1) and gasket (2) are in place on grille.
 - b. Figure 2 Install lower tabs (7) onto fairing.
 - c. Rotate grille (8) toward fairing.
 - d. Press grille outer upper clip (5) into outer clip opening (3).
 - e. Press grille inner upper clip (6) into inner clip opening (4).

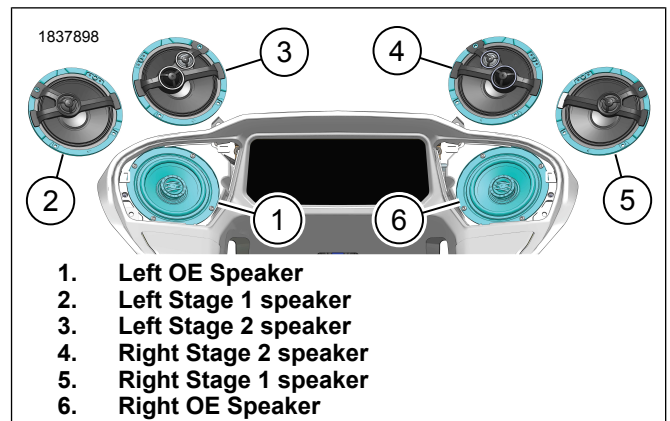


Figure 4. Speaker Orientation (Typical)

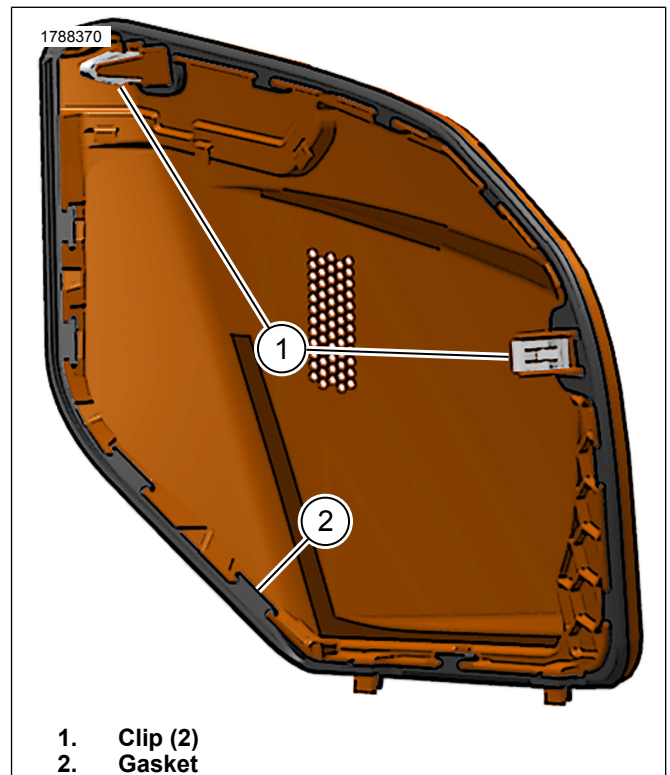


Figure 5. Grille Gasket

COMPLETE

NOTE

To prevent possible damage to the sound system, verify that the ignition is OFF **before** installing the main fuse.

1. Install main fuse. See service manual.
2. Install left side cover. See service manual.
3. Install left saddlebag. See service manual.
4. Turn the ignition ON, but do not start the vehicle.
5. Make sure that all speakers are working properly. Check that front and rear fader function is operating correctly. If not, check speaker wiring.

SUPPLEMENTAL PROCEDURE VIDEO

⚠ WARNING

Always review the appropriate service procedure prior to performing it. This video is intended to supplement, not replace, documented service procedures. Attempting service procedures without the proper training, tools, equipment, and manuals could result in death or injury to you or others. This could also damage the motorcycle or cause the motorcycle to operate improperly. (10406a)

This video is a supplement of the procedure covered in the document. This video can only be viewed through Service Information Portal (SIP).

1436457



Video 1.