



INSTRUCTIONS

J04715

2024-12-20



MID-FRAME AIR DEFLECTORS

GENERAL INFORMATION

Table 1. General Information

Kits	Suggested Tools	Skill Level ⁽¹⁾
58002-09, 58002-09A, 57200157, 57200356	Safety Glasses, Torque Wrench	
<i>(1) Tightening to torque value or other moderate tools and techniques required</i>		

KIT CONTENTS

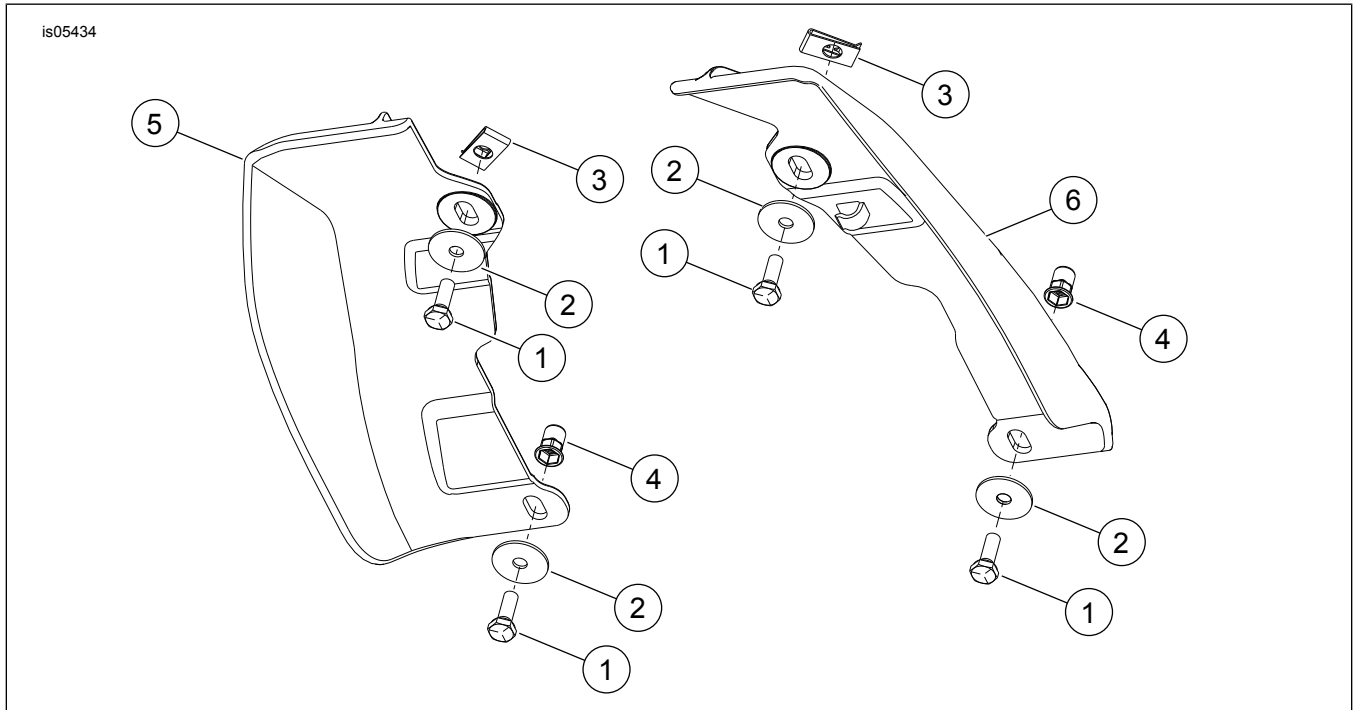


Figure 1. Kit Contents: Mid-Frame Air Deflectors

Table 2. Kit Contents: Mid-Frame Air Deflectors Kit

<input checked="" type="checkbox"/>	Verify that all contents are present in the kit before installing or removing items from vehicle.				
<input type="checkbox"/>	Item	Qty	Description	Part No.	Notes
<input type="checkbox"/>	1	4	Screw	3787	Kits: 58002-09A, 57200157
<input type="checkbox"/>	2	4	Washer, flat	6036	Kits: 58002-09A, 57200157
<input type="checkbox"/>	3	2	Speed nut	8108	Kits: 58002-09A, 57200157, 57200356
<input type="checkbox"/>	4	2	Nut, special	8194	Kits: 58002-09A, 57200157
<input type="checkbox"/>	5	1	Mid-frame air deflector, right	58170-09	Kit: 58002-09
<input type="checkbox"/>			Mid-frame air deflector, right, without chassis fan	58167-09A	Kit: 58002-09A
<input type="checkbox"/>			Mid-frame air deflector, right, translucent, with chassis fan	57200243	Kit: 57200157
<input type="checkbox"/>			Mid-frame air deflector, right,	57200225	
<input type="checkbox"/>			Mid-frame air deflector, right, smoked	57200245	Kit: 57200356
<input type="checkbox"/>	6	1	Mid-frame air deflector, left	58170-09	Kit: 58002-09
<input type="checkbox"/>			Mid-frame air deflector, left	58169-09	Kit: 58002-09A
<input type="checkbox"/>			Mid-frame air deflector, left, translucent	57200255	Kit: 57200157
<input type="checkbox"/>			Mid-frame air deflector, left	57200256	
<input type="checkbox"/>			Mid-frame air deflector, left, smoked	57200245	Kit: 57200356

GENERAL

Instruction sheet is also available electronically. To verify you are using the most current version available, do one of the following:

- Go to h-d.com/isheets
- Scan QR code in upper left corner of the instruction sheet

NOTE

This instruction sheet **may have a Supplemental Video** to assist installer in clarifying a certain part of the assembly. A linked video would be located at the end of this instruction sheet.

Models

For model fitment information, see the Parts and Accessories (P&A) Retail Catalog or the Parts and Accessories section of www.harley-davidson.com.

Contact Harley-Davidson Customer Support Center at 1-800-258-2464 (U.S. only) or 1-414-343-4056.

Installation Requirements

▲ WARNING

Rider and passenger safety depend upon the correct installation of this kit. If the procedure is not within your capabilities or you do not have the correct tools, have a Harley-Davidson dealer perform the installation. Improper installation of this kit could result in death or serious injury. (00308b)

REMOVE

1. Remove and discard rear spark plug wire retainer.

INSTALL

NOTE

MY2016 and earlier models, speed nuts need to be installed to vehicle frame. Later models, nuts have been welded to vehicle frame.

1. Install speed nut (3) through large hole with flat side facing down.
 - a. Align threaded holes to small mounting holes in plate.
2. Install special nuts (4) into bottom hex hole (2).
 - a. Install washer (2) to screw (1).
 - b. Insert screw (1) fully into special nut (4).
 - c. Press special nut assembly firmly against crossmember.
 - d. Tighten screw (1) approximately 2 ½ turns.
Torque: 6.8 N·m (60 in-lbs)
 - e. Remove screw (1) and washer (2).
 - f. Repeat procedure for opposite side.

3. Install mid-frame deflector (3, 4).

NOTE

Do not use LOCTITE® on fasteners as damage to air deflector will occur.

Position left deflector behind spark plug wire and evaporative tube, if present.

4. Install washers (2) and screws (1). Tighten
Torque: 2.8–3.9 N·m (25–35 in-lbs)
5. Attach rear spark plug wire to left deflector cable clip (5).
6. Secure rear spark plug wires in retainer.
7. Place right-side front-cylinder spark plug wire into corner/radius of air deflector, making sure wire is outboard of rocker box cover.

⚠ CAUTION

If routed incorrectly between rocker box cover and frame, spark plug wires can be pinched resulting in wire damage. (17104b)

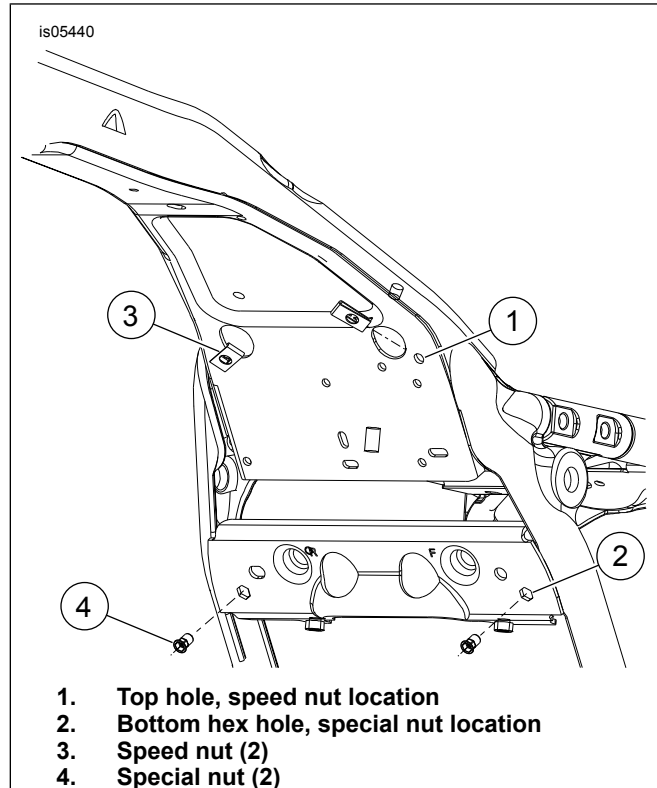


Figure 2. Fastener Locations

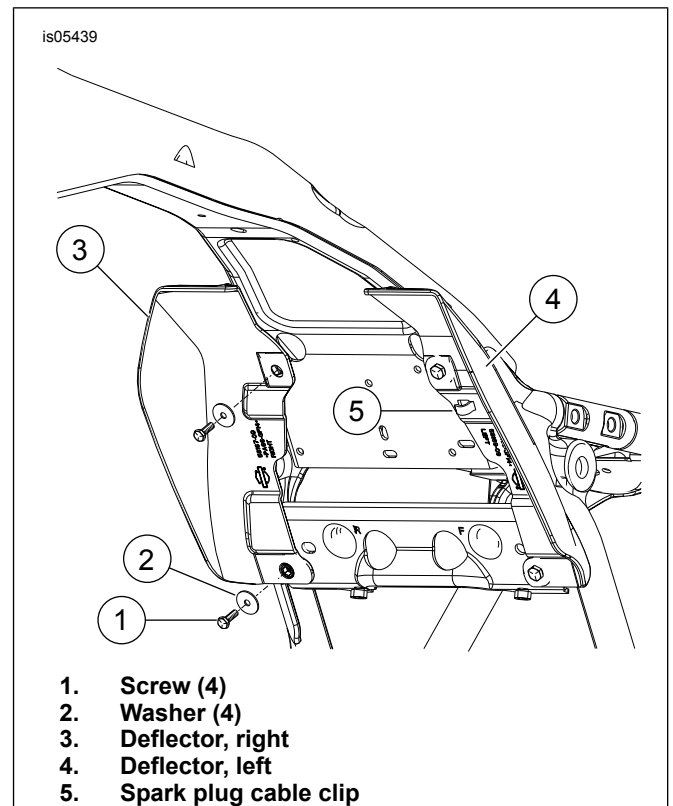


Figure 3. Fastener Locations