



INSTRUCTIONS

J00931


2025-01-21



FL BACKREST PAD KITS

GENERAL INFORMATION

Table 1. General Information

Kits	Suggested Tools	Skill Level ⁽¹⁾
51579-05A, 51633-06A, 51727-05A, 51980-08, 52555-94A, 52657-04B, 52708-97C, 52709-97C, 52886-98D, 52920-98B, 52924-98B, 52300141A, 523000028A, 52300300, 52300361, 52300566, 52300573, 52300734, 52300740	Safety Glasses, Torque Wrench	
<i>(1) Tightening to torque value or other moderate tools and techniques required</i>		

KIT CONTENTS

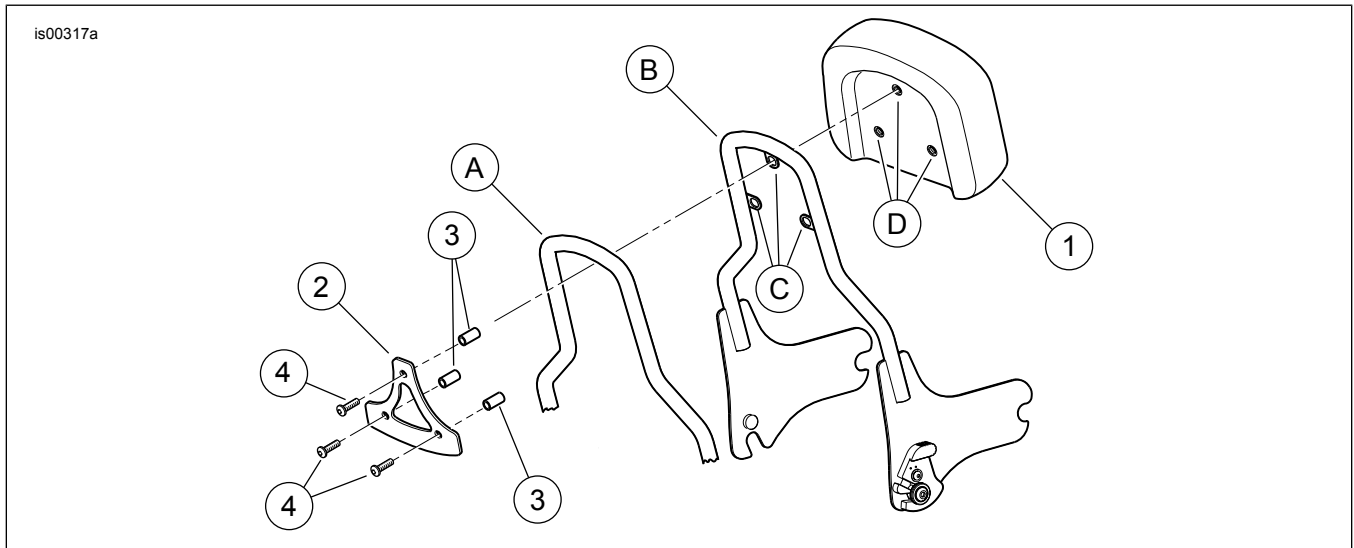


Figure 1. Kit Contents: FL Backrest Pad Kits



Table 2. Kit Contents: FL Backrest Pad Kits

<input checked="" type="checkbox"/> Verify that all contents are present in the kit before installing or removing items from vehicle.					
<input type="checkbox"/>	Item	Qty	Description	Part No.	Notes
<input type="checkbox"/>	1	1	Backrest pad (Generic style pad shown)	Not sold separately	
<input type="checkbox"/>	2	1	Mounting bracket	52565-94	
<input type="checkbox"/>	3	3	Spacer, long	51593-05	
<input type="checkbox"/>	4	1	Screw, button head, hex socket 1/4-20 x 1-3/8 in.	10200202	
Items mentioned in text, but not included in kit					
<input checked="" type="checkbox"/>	A	1	Detachable sissy bar upright or luggage rack (typical upright shown)		
<input checked="" type="checkbox"/>	B	1	Detachable Short Passenger Sissy Bar (short upright shown)		
<input checked="" type="checkbox"/>	C	3	Backrest mounting tabs		
<input checked="" type="checkbox"/>	D	3	Pre-cut screw hole		

GENERAL

Instruction sheet is also available electronically. To verify you are using the most current version available, do one of the following:

- Go to h-d.com/isheets
- Scan QR code in upper left corner of the instruction sheet

NOTE

This instruction sheet may have a Supplemental Video to assist installer in clarifying a certain part of the assembly. A linked video would be located at the end of this instruction sheet.

Models

For model fitment information, see the Parts and Accessories (P&A) Retail Catalog or the Parts and Accessories section of www.harley-davidson.com.

Contact Harley-Davidson Customer Support Center at 1-800-258-2464 (U.S. only) or 1-414-343-4056.

Installation Requirements

▲ WARNING

Rider and passenger safety depend upon the correct installation of this kit. If the procedure is not within your capabilities or you do not have the correct tools, have a Harley-Davidson dealer perform the installation. Improper installation of this kit could result in death or serious injury. (00308b)

INSTALL

1. If necessary, cut plastic rain seal away from the three pre-cut screw holes (D) in backrest pad (1) to prevent plastic from catching in the threads.

2. On vehicle with Detachable Sissy Bar Upright installed for **Passenger Sissy Bar Upright (A)**:

- a. Insert three long spacers (3) into pre-cut holes (D) in backrest pad (1).
- b. Position backrest (1) against sissy bar upright (A).

3. On vehicle with Detachable Sissy Bar Upright installed for **Short Passenger Sissy Bar Upright (B)**:

- a. Position backrest (1) against sissy bar upright (B).
- b. Insert three long spacers (3) through the slots in sissy bar tabs (C) into pre-cut holes (D) in backrest pad (1).

4. Place the mounting bracket (2) against the spacers, so that the holes of the mounting bracket align with the spacers.

NOTE

To avoid misalignment and cross threading of the screws, start all three screws into the backrest before tightening.

5. Insert a screw (4) from kit through one of the spacers, and carefully thread it 4-5 turns into mating hole in the backrest pad. Repeat with the other two screws. **DO NOT tighten a screw until all three screws have been started.**

NOTE

Spacers must seat squarely against the mounting bracket.

6. Once all three screws have been carefully started into the three holes of the backrest pad, tighten the screws. Tighten. Torque: 6.8 N·m (60 in-lbs)