



INSTRUCTIONS

94100252

2025-01-25



HIGHWAY PEG MOUNT

GENERAL INFORMATION

Table 1. General Information

Kits	Suggested Tools	Skill Level ⁽¹⁾
50502265	Safety Glasses, Torque Wrench	
<i>(1) Tightening to torque value or other moderate tools and techniques required</i>		

KIT CONTENTS

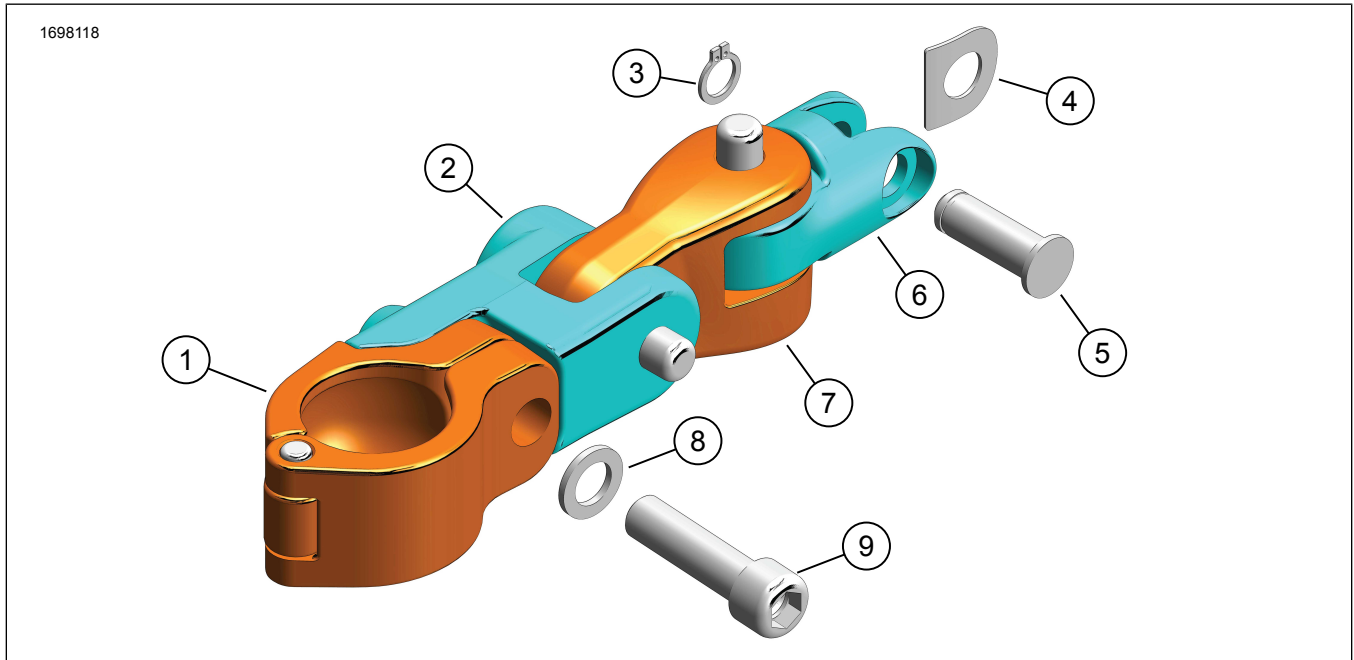


Figure 1. Kit Contents: Highway Peg Mount Kit

Table 2. Kit Contents: Highway Peg Mount Kit

<input checked="" type="checkbox"/>	Verify that all contents are present in the kit before installing or removing items from vehicle.				
Item	Qty	Description	Part No.	Notes	
<input type="checkbox"/>	1	2	Clamp, black	Not Sold Separately	
<input type="checkbox"/>	2	2	Clevis clamp, black	Not Sold Separately	
<input type="checkbox"/>	3	2	Retaining ring, external, black	12200293	
<input type="checkbox"/>	4	2	Spring washer, pedal	50912-72	
<input type="checkbox"/>	5	2	Clevis pin, black	50502897	
<input type="checkbox"/>	6	2	Clevis bracket, black	Not Sold Separately	
<input type="checkbox"/>	7	2	Link bracket, black	Not Sold Separately	
<input type="checkbox"/>	8	2	Washer, black	10300274	
<input type="checkbox"/>	9	2	Screw, black	10201306	

GENERAL

Instruction sheet is also available electronically. To verify you are using the most current version available, do one of the following:

- Go to Refer to: h-d.com/isheets
- Scan QR code in upper left corner of the instruction sheet

NOTE

This instruction sheet **may have a Supplemental Video** to assist installer in clarifying a certain part of the assembly. A linked video would be located at the end of this instruction sheet.

Models

For model fitment information, see the Parts and Accessories (P&A) Retail Catalog or the Parts and Accessories section of www.harley-davidson.com.

Contact Harley-Davidson Customer Support Center at 1-800-258-2464 (U.S. only) or 1-414-343-4056.

Installation Requirements

▲ WARNING

Rider and passenger safety depend upon the correct installation of this kit. Use the appropriate service manual procedures. If the procedure is not within your capabilities or you do not have the correct tools, have a Harley-Davidson dealer perform the installation. Improper installation of this kit could result in death or serious injury. (00333b)

NOTE

This instruction sheet references service manual information. A service manual for the year and model motorcycle is required for this installation and is available from:

- A Harley-Davidson dealer.

- *H-D Service Information Portal, a subscription-based access available for most 2001 and newer models. For more information see Frequently ask questions about subscriptions.*

INSTALL

▲ WARNING

Position footpegs so rider can operate foot controls without interference. Failure to have full access to foot controls can cause loss of control, which could result in death or serious injury. (00313a)

▲ WARNING

Mount the footpegs so they will not strike the ground during cornering. Footpegs striking the ground during cornering can cause loss of control, resulting in death or serious injury. (00458c)

▲ WARNING

If footpeg mounting location increases motorcycle width, maintain clearance between motorcycle and surrounding persons or objects. Failure to maintain clearance could result in death or serious injury. (00314a)

NOTE

- *Mounts are intended to provide an alternative foot position while rider is seated in a normal riding position. Mounts are not intended to be used as lift points, tie downs, steps, and the like or for mounting anything other than the appropriate footpegs. Misuse may cause damage to the assemblies, vehicle or rider and will constitute an abuse case of the parts.*
- *Due to vehicle assembly variations and close proximity, vehicles with lower fairings may need to be adjusted to prevent contact and potential paint damage. See service manual.*
- *If clamp position is too high on engine guard, it may rub into lower fairing. This highway peg mount is adjustable and does not need to be mounted that high on the engine guard.*

• **If clamp position is too low on engine guard, it may contact the road surface. Be aware of when making a decision of final location for the highway peg mount.**

1. See Figure 5 or Figure 6. Position footpeg clamp halves (1) on engine guard (5).
 - a. See Figure 2 and Figure 3 for zones of installation on chopped style engine guards.
 - b. See Figure 4. **Standard engine guard location** mount in these locations.
 - c. See Figure 5 or Figure 6. Make sure screw (2) is accessible from front of vehicle.
 - d. Vehicles with lower fairings may require slight adjustment on engine guard (5).
2. Install clevis clamp (4) to clamp halves (1).
3. Install washer (3) and screw (2).
 - a. See Figure 7. Position assembly in preferred angle for highway peg mount assembly (2). Mount can be rotated toward rider if required.
 - b. See Figure 5 or Figure 6. Tighten screw (2).
Torque: 61–68 N·m (45–50 ft-lbs)
4. Repeat steps 1-3 on opposite side of vehicle.

Zones of Installation

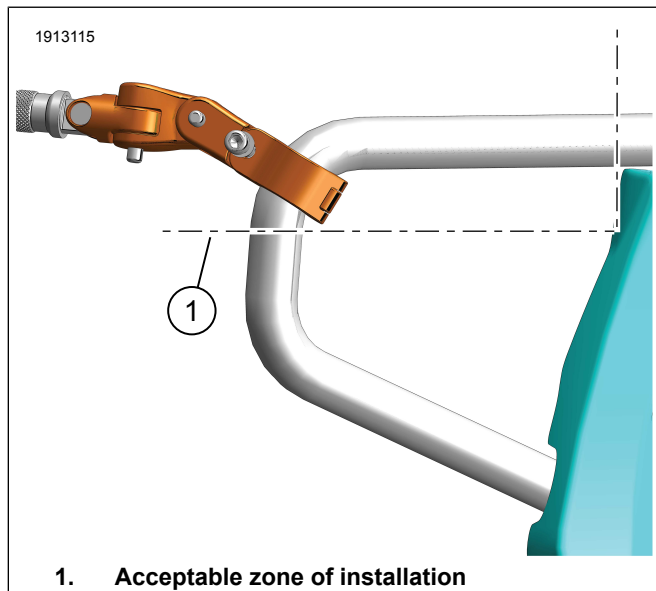


Figure 2. Without Lower

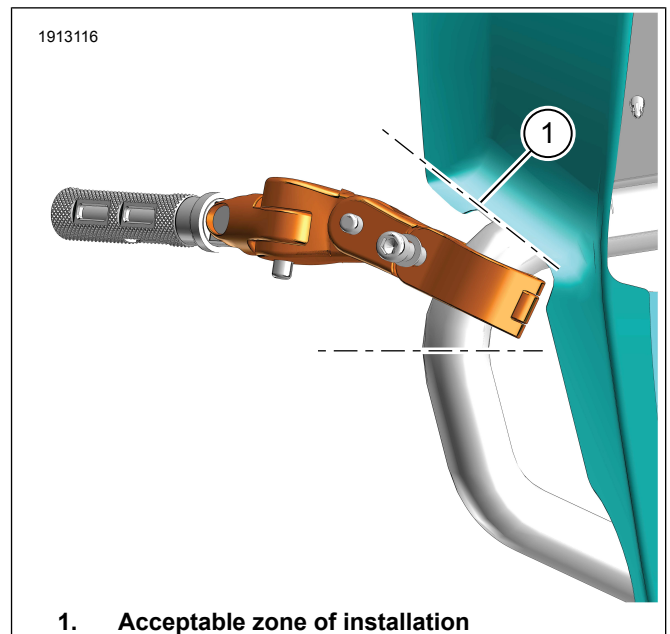


Figure 3. With Lower

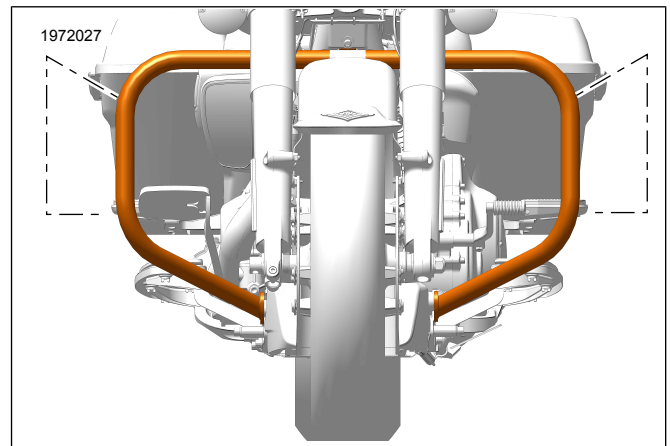


Figure 4. Standard Engine Guard Location

Installation

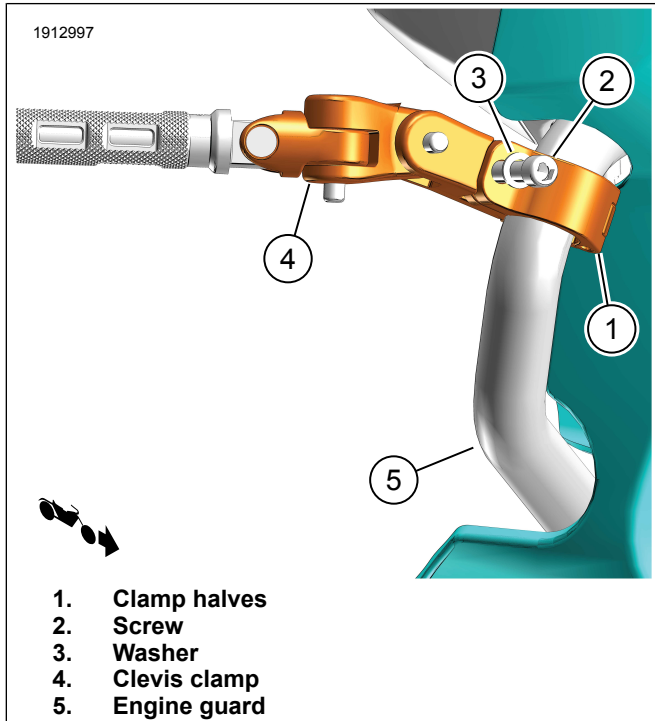


Figure 5. Footpeg Install With Lower

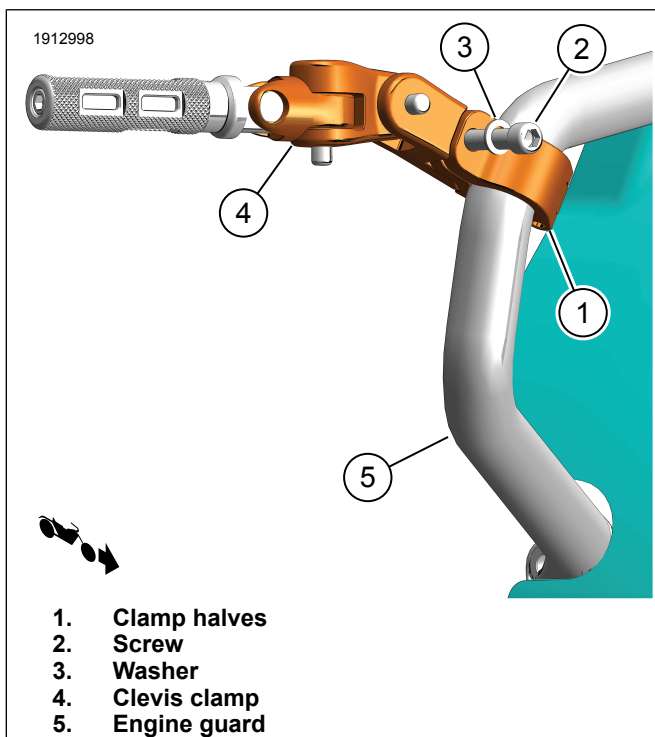


Figure 6. Footpeg Install Without Lower

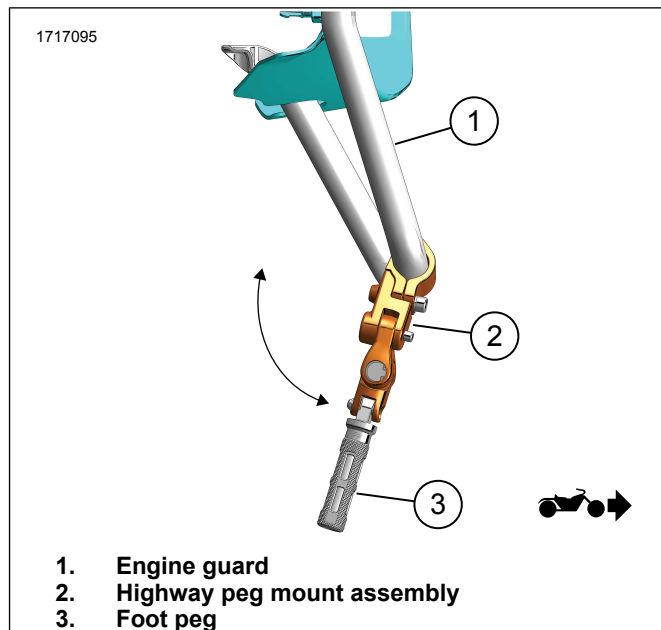


Figure 7. Preferred Highway Peg Mount Angle

Adjustment

NOTE

Figure 8 is shown for Adjustment Purposes Only.

1. See Figure 8. Desired foot peg position can be obtained using adjustment pin:
 - a. Push pin (1) to adjust peg **Forward or Backward**.
 - b. Push pin (2) to adjust peg **Up or Down**.

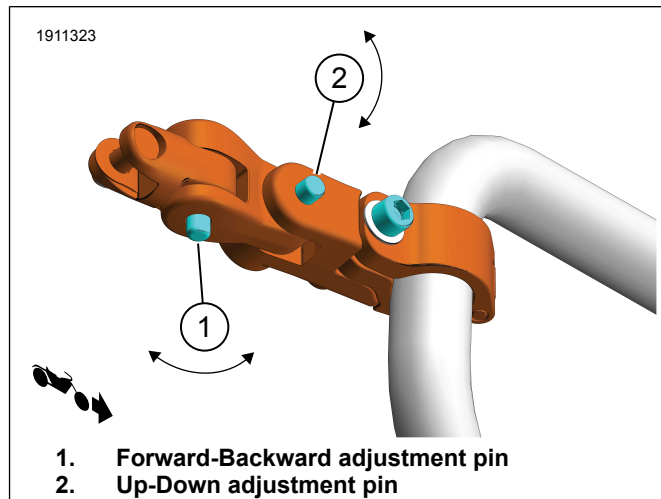


Figure 8. Footpeg Adjustment