



INSTRUCTIONS

J04653


2025-01-23



TRIKE REAR GUARD KIT

GENERAL INFORMATION

Table 1. General Information

Kits	Suggested Tools	Skill Level ⁽¹⁾
83825-09B, 83825-09C, 49000303	Safety Glasses, Torque Wrench, Loctite 243 Medium Strength Threadlocker And Sealant (blue)	
<i>(1) Tightening to torque value or other moderate tools and techniques required</i>		



KIT CONTENTS

is05371b

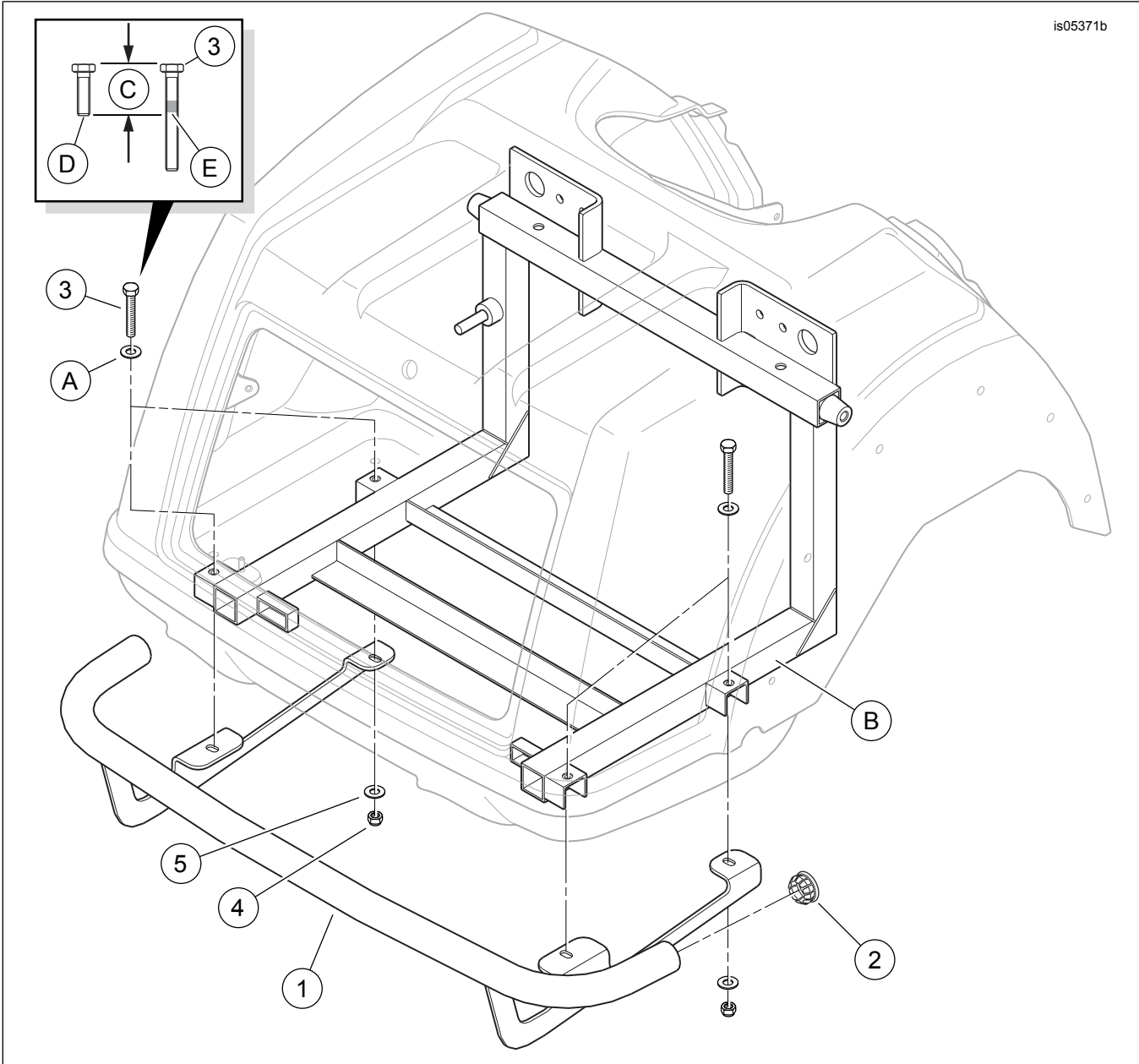


Figure 1. Kit Contents: Trike Rear Guard

Table 2. Kit Contents: Trike Rear Guard Kit

Verify that all contents are present in the kit before installing or removing items from vehicle.					
<input checked="" type="checkbox"/>	Item	Qty	Description	Part No.	Notes
<input type="checkbox"/>	1	1	Rear guard assembly	Not sold separately	
<input type="checkbox"/>	2	2	Insert, rear guard end, chrome plated steel	83912-09	Kit 83825-09B
<input type="checkbox"/>			Insert, rear guard end, chrome plated plastic	49000075	Kit 83825-09C
<input type="checkbox"/>			Insert, rear guard end, black plastic	49000252	Kit 49000303
<input type="checkbox"/>	3	4	Screw	10500002	
<input type="checkbox"/>	4	4	Locknut	7739	
<input type="checkbox"/>	5	4	Washer	6645	
Items mentioned in text, but not included in kit					
<input checked="" type="checkbox"/>	A	4	Original Equipment (OE) washer		
<input checked="" type="checkbox"/>	B	1	Rear frame assembly		
<input checked="" type="checkbox"/>	C	1	Length of OE screw		
<input checked="" type="checkbox"/>	D	1	OE screw		
<input checked="" type="checkbox"/>	E	4	Apply Loctite 243 (blue) to new screw (item 3)		

GENERAL

Instruction sheet is also available electronically. To verify you are using the most current version available, do one of the following:

- Go to h-d.com/isheets
- Scan QR code in upper left corner of the instruction sheet

NOTE

*This instruction sheet **may have a Supplemental Video** to assist installer in clarifying a certain part of the assembly. A linked video would be located at the end of this instruction sheet.*

Models

For model fitment information, see the Parts and Accessories (P&A) Retail Catalog or the Parts and Accessories section of www.harley-davidson.com.

Verify that the most current version of the instruction sheet is used. It is available at: h-d.com/isheets

Contact Harley-Davidson Customer Support Center at 1-800-258-2464 (U.S. only) or 1-414-343-4056.

Installation Requirements

Separate purchase of LOCTITE 243 MEDIUM STRENGTH THREADLOCKER AND SEALANT (BLUE) (99642-97) is required for proper installation of this kit.

The help of an assistant may be necessary when installing this kit.

⚠ WARNING

Rider and passenger safety depend upon the correct installation of this kit. If the procedure is not within your capabilities or you do not have the correct tools, have a Harley-Davidson dealer perform the installation. Improper installation of this kit could result in death or serious injury. (00308b)

PREPARE

1. Set vehicle parking brake.

REMOVE

1. Remove trunk liners.

INSTALL

1. See Figure 1. Locate four screws with washers (A) in floor of trunk compartment that hold the body to rear frame. Leaving the washer in place, remove one of the screws. Save screw for next step, then discard.

2. See Figure 1. Apply threadlocker to screw (3).

Consumable: LOCTITE 243 MEDIUM STRENGTH THREADLOCKER AND SEALANT (BLUE) (99642-97)

NOTE

Install all four screws (3) before tightening any.

- a. Mark length of OE screw (D) onto screw (3).
- b. Apply threadlocker (E) to threads of screws.

3. Install screws (3) through washers (A) and trunk floor.
 - a. Install it all the way through the U-channel on the outboard side of the rear frame (B). Tighten.
Torque: 24.4 N·m (18 ft-lbs)
4. With an assistant, position rear guard assembly to underside of frame.
 - a. Fitting four slots in rail mounting brackets onto threads of screws installed in step 3.
5. Install washer (5) and locknut (4) to threads of each screw to hold rail in place.
 - a. Tighten only enough so rail lightly contacts the frame.
6. Align rear guard evenly to contour of lower body for best appearance.
 - a. Adjust position of rail to provide clearance between rail and rear of vehicle body.
7. With an assistant holding the screw heads inside trunk, torque the four locknuts. Tighten.
Torque: 24.4 N·m (18 ft-lbs)

COMPLETE

1. Install trunk liners.
2. Release vehicle parking brake.