



INSTRUCTIONS

J05820

2025-01-23



TRIKE REAR GUARD KIT

GENERAL INFORMATION

Table 1. General Information

Kits	Suggested Tools	Skill Level ⁽¹⁾
49000250A, 49000069, 49000069A	Safety glasses, Torque wrench, Loctite 243 (blue)	
<i>(1) Tightening to torque value or other moderate tools and techniques required</i>		

KIT CONTENTS

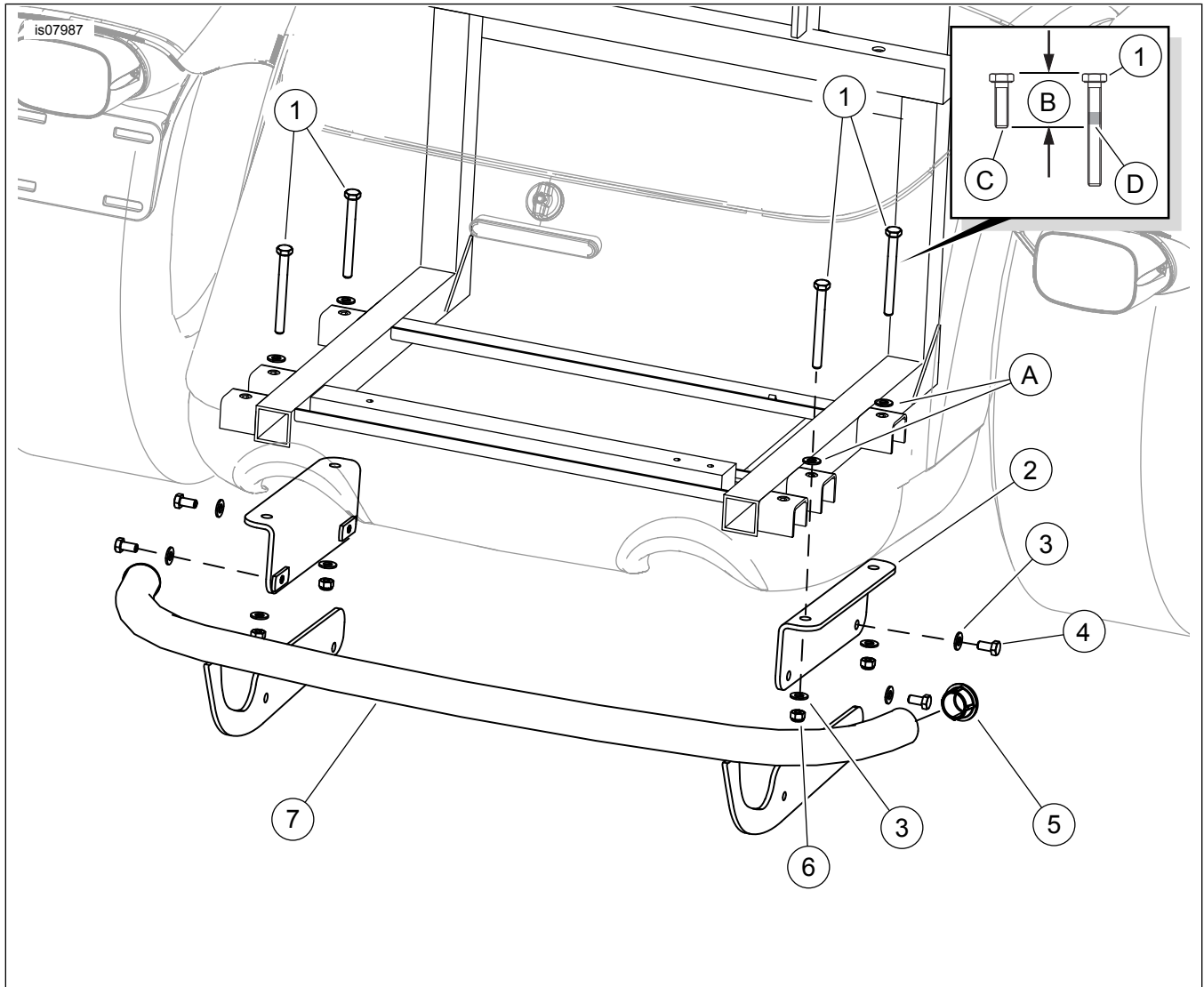


Figure 1. Kit Contents: Trike Rear Guard

Table 2. Kit Contents: Trike Rear Guard Kit

Verify that all contents are present in the kit before installing or removing items from vehicle.					
<input checked="" type="checkbox"/>	Item	Qty	Description	Part No.	Notes
<input type="checkbox"/>	1	4	Screw, long	10500002	
<input type="checkbox"/>	2	2	Bracket	Not sold separately	
<input type="checkbox"/>	3	8	Washer	6702	
<input type="checkbox"/>	4	4	Screw, short	2882W	
<input type="checkbox"/>	5	2	Insert, rear guard end, black plastic	49000252	Kit 49000250A
<input type="checkbox"/>			Insert, rear guard end, chrome plated plastic	49000075	Kits 49000069, 49000069A
<input type="checkbox"/>	6	4	Locknut	7739	
<input type="checkbox"/>	7	1	Rear guard assembly	Not sold separately	
Items mentioned in text, but not included in kit					
<input checked="" type="checkbox"/>	A	4	Original Equipment (OE) washer		
<input checked="" type="checkbox"/>	B	1	Length of OE screw		
<input checked="" type="checkbox"/>	C	1	OE screw		
<input checked="" type="checkbox"/>	D	4	Apply Loctite 243 (blue) to new screw		

GENERAL

Instruction sheet is also available electronically. To verify you are using the most current version available, do one of the following:

- Go to h-d.com/isheets
- Scan QR code in upper left corner of the instruction sheet

NOTE

*This instruction sheet **may have a Supplemental Video** to assist installer in clarifying a certain part of the assembly. A linked video would be located at the end of this instruction sheet.*

Models

For model fitment information, see the Parts and Accessories (P&A) Retail Catalog or the Parts and Accessories section of www.harley-davidson.com.

Verify that the most current version of the instruction sheet is used. It is available at: h-d.com/isheets

Contact Harley-Davidson Customer Support Center at 1-800-258-2464 (U.S. only) or 1-414-343-4056.

Installation Requirements

Separate purchase of LOCTITE 243 MEDIUM STRENGTH THREADLOCKER AND SEALANT (BLUE) (99642-97) is required for proper installation of this kit.

The help of an assistant may be necessary when installing this kit.

▲ WARNING

Rider and passenger safety depend upon the correct installation of this kit. If the procedure is not within your capabilities or you do not have the correct tools, have a Harley-Davidson dealer perform the installation. Improper installation of this kit could result in death or serious injury. (00308b)

PREPARE

1. Set vehicle parking brake.

REMOVE

1. Remove trunk liners.

INSTALL

1. See Figure 1. Locate four screws with washers (A) in floor of trunk compartment that hold the body to rear frame. Leaving the washer in place, remove one of the screws. Save screw for next step, then discard.

2. Apply threadlocker to long screws (1).

Consumable: LOCTITE 243 MEDIUM STRENGTH THREADLOCKER AND SEALANT (BLUE) (99642-97)

NOTE

Install all four long screws (1) before tightening any.

- a. Mark length (B) of OE screw (C) onto **new** long screw (1).

- b. Apply threadlocker (D) to 10 mm (3/8 in) of screw threads on head side of mark.

3. Install each long screw (1) through washer (A) and trunk floor. Tighten.

Torque: 24.4 N·m (18 ft-lbs)

NOTE

Orient mounting brackets as shown in Figure 1.

4. Install mounting brackets (2) onto underside of frame with locknuts (6) and washers (3).

- a. Tighten only enough so bracket lightly contacts the frame.

5. Apply threadlocker to threads of short screws (4).

Consumable: LOCTITE 243 MEDIUM STRENGTH
THREADLOCKER AND SEALANT (BLUE) (99642-97)

NOTE

Rear guard assembly installs outboard of brackets (2).

6. Lift rear guard (7) into place.

- a. Secure with short screws (4) and washers (3).
Tighten.

Torque: 24.4 N·m (18 ft-lbs)

7. Align rear guard evenly to contour of lower body for best appearance and to provide clearance between rail and vehicle body.

8. With an assistant holding the screw heads inside trunk, torque the four locknuts (6). Tighten.

Torque: 24.4 N·m (18 ft-lbs)

COMPLETE

1. Install trunk liners.
2. Release vehicle parking brake.