



INSTRUCTIONS

J06436


2025-01-23



TWO-UP ONE-PIECE SOFTAIL SEAT KITS

GENERAL INFORMATION

Table 1. General Information

Kits	Suggested Tools	Skill Level ⁽¹⁾
52000295, 52000297, 52000298, 52000300, 52000305, 52000349, 52000350, 52000353, 52000354, 52000355, 52000356, 52000387, 52000388, 52000400, 52000401, 52000748, 52000749, 52000652, 52000653, 52000759, 52000761, 52000786, 52000789	Safety Glasses, Torque Wrench	
<i>(1) Tightening to torque value or other moderate tools and techniques required</i>		

KIT CONTENTS

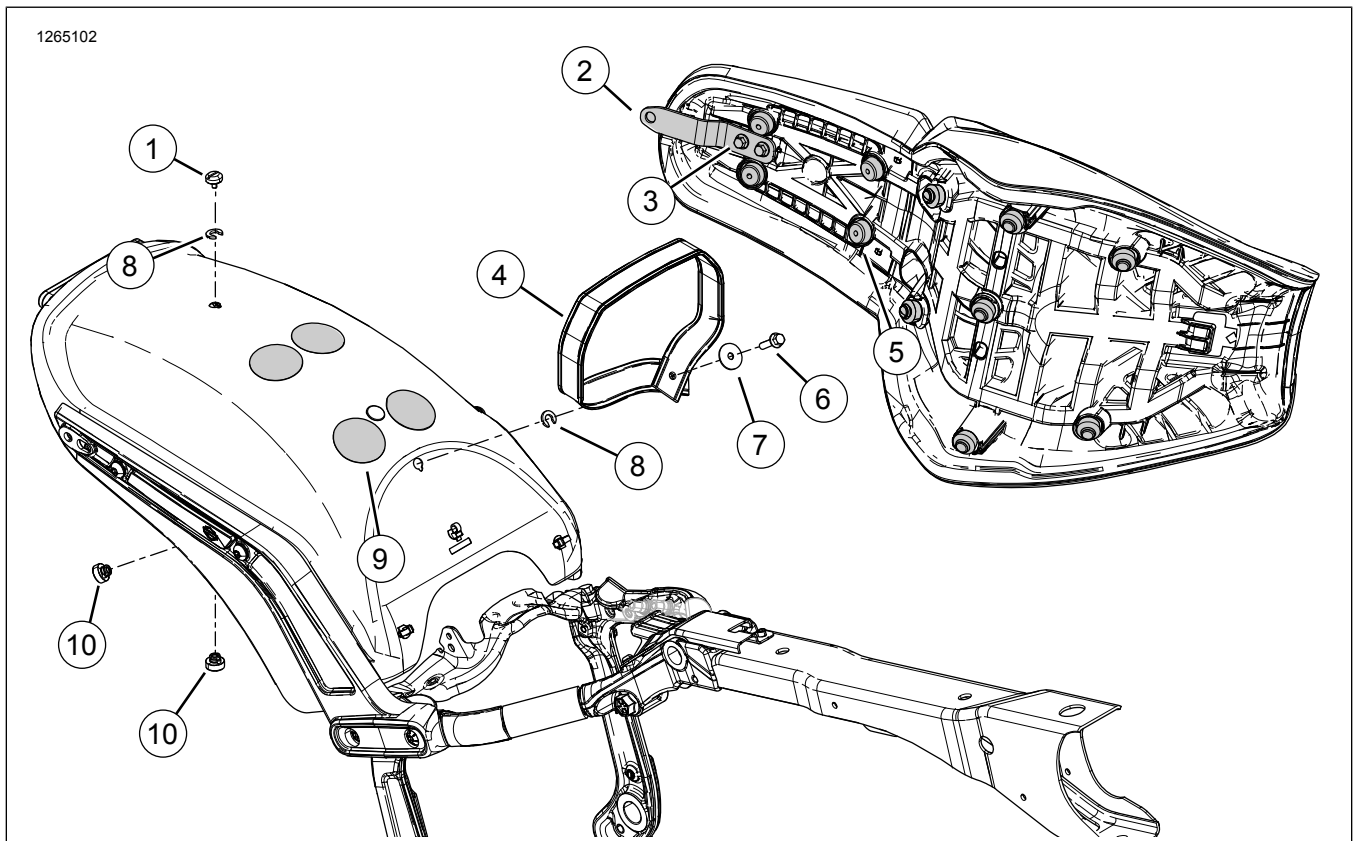


Figure 1. Kit Contents: Two-Up One-Piece Softail Seat

Table 2. Kit Contents: Two-Up One-Piece Softail Seat Kit

Verify that all contents are present in the kit before installing or removing items from vehicle.					
<input checked="" type="checkbox"/>	Item	Qty	Description	Part No.	Notes
<input type="checkbox"/>	1	1	Seat thumb screw	3075	Kits 52000295, 52000300, 52000355, 52000387, 52000388, 52000401, 52000748
<input type="checkbox"/>				10201398	Kits 52000652, 52000653, 52000759, 52000761, 52000786, 52000789
<input type="checkbox"/>	2	1	Mounting bracket, rear	51652-97A	Kits 52000295, 52000297, 52000300, 52000355, 52000356, 52000748
<input type="checkbox"/>				52400209	Kit 52000387, 52000400
<input type="checkbox"/>				52400285	Kit 52000298, 52000305, 52000350, 52000354, 52000749
<input type="checkbox"/>				52400359	Kit 52000349, 52000353
<input type="checkbox"/>	3	2	Flange screw	3588	Kits 52000295, 52000297, 52000300, 52000355, 52000356, 52000388, 52000401, 52000748
<input type="checkbox"/>		2		965M	Kit 52000349, 52000353
<input type="checkbox"/>		2		67956-96	Kits 52000298, 52000305, 52000350, 52000354, 52000749
<input type="checkbox"/>		1		3901	Kits 52000652, 52000653, 52000759, 52000761, 52000786, 52000789
<input type="checkbox"/>	4	1	Grab strap	52400151	Kits 52000295, 52000305, 52000354, 52000748
<input type="checkbox"/>				52400192	Kits 52000355, 52000356
<input type="checkbox"/>				52400193	Kit 52000349
<input type="checkbox"/>				52400194	Kit 52000350, 52000749
<input type="checkbox"/>				52400098	Kit 52000297
<input type="checkbox"/>				53031-05	Kit 52000300
<input type="checkbox"/>				52400214	Kits 52000387, 52000388, 52000400, 52000401
<input type="checkbox"/>				53031-05	Kit 52000298
<input type="checkbox"/>				52400146	Kit 52000353
<input type="checkbox"/>				52400325	Kits 52000652, 52000653, 52000759, 52000761, 52000786, 52000789
<input type="checkbox"/>	5	11	Seat isolator	11100174	Kits 52000295, 52000297, 52000298, 52000300, 52000305, 52000350, 52000354, 52000355, 52000356, 52000387, 52000388, 52000400, 52000401, 52000748, 52000749
<input type="checkbox"/>		12			Kits 52000349, 52000353
<input type="checkbox"/>		11		11100296	Kits 52000759, 52000761, 52000786, 52000789
<input type="checkbox"/>	6	1	Screw, grab strap	3901	Kits 52000295, 52000297, 52000300, 52000355, 52000356, 52000652, 52000653, 52000748
<input type="checkbox"/>				10200036	Kits 52000387, 52000388, 52000400, 52000401
<input type="checkbox"/>	7	1	Washer, grab strap	6036	Kits 52000295, 52000297, 52000300, 52000355, 52000356, 52000387, 52000388, 52000400, 52000401, 52000652, 52000653, 52000759, 52000761, 52000748, 52000786, 52000789

Table 2. Kit Contents: Two-Up One-Piece Softail Seat Kit

Verify that all contents are present in the kit before installing or removing items from vehicle.					
<input checked="" type="checkbox"/>	Item	Qty	Description	Part No.	Notes
<input type="checkbox"/>	8	2	Retention washer (part of seal nut kit 59768-97)	Not sold separately	Kits 52000295, 52000300, 52000355, 52000387, 52000388, 52000400, 52000401, 52000748
<input type="checkbox"/>		1			Kits 52000297, 52000356
<input type="checkbox"/>	9	4	Protective tape	11100176	Kits 52000295, 52000297, 52000300, 52000355, 52000387, 52000400, 52000653, 52000761, 52000748, 52000786
<input type="checkbox"/>		6			Kit 52000652, 52000759, 52000789
<input type="checkbox"/>	10	2	Retention nut (part of seal nut kit 59768-97)	Not sold separately	Kits 52000295, 52000300, 52000355, 52000387, 52000388, 52000400, 52000401, 52000748
<input type="checkbox"/>		1			Kits 52000297, 52000356, 52000652, 52000653, 52000759, 52000761, 52000786, 52000789
<input type="checkbox"/>		2	Flange nut, large	7499	Kits 52000652, 52000653, 52000759, 52000789
<input type="checkbox"/>	11	1	Cable strap (not shown)	10039	Kits 52000759, 52000761, 52000786, 52000789
<input type="checkbox"/>				10140	Kits 52000652, 52000653

GENERAL

Instruction sheet is also available electronically. To verify you are using the most current version available, do one of the following:

- Go to h-d.com/isheets
- Scan QR code in upper left corner of the instruction sheet

NOTE

This instruction sheet may have a Supplemental Video to assist installer in clarifying a certain part of the assembly. A linked video would be located at the end of this instruction sheet.

Models

For model fitment information, see the Parts and Accessories (P&A) Retail Catalog or the Parts and Accessories section of www.harley-davidson.com.

Contact Harley-Davidson Customer Support Center at 1-800-258-2464 (U.S. only) or 1-414-343-4056.

Installation Requirements

⚠ WARNING

Do not install these seat kits on motorcycles that are not equipped with an appropriate grab strap and passenger footpegs. If footpegs and grab strap are not installed, passenger could fall from moving motorcycle or grab onto operator, causing loss of control and death or serious injury. (00410b)

⚠ WARNING

Rider and passenger safety depend upon the correct installation of this kit. Use the appropriate service manual procedures. If the procedure is not within your capabilities or you do not have the correct tools, have a Harley-Davidson dealer perform the installation. Improper installation of this kit could result in death or serious injury. (00333b)

Separate purchase of passenger footpegs is required if installed on a vehicle originally equipped with a solo seat.

NOTE

This instruction sheet references service manual information. A service manual for the year and model motorcycle is required for this installation and is available from:

- A Harley-Davidson dealer.
- H-D Service Information Portal, a subscription-based access available for most 2001 and newer models. For more information see *Frequently ask questions about subscriptions*.

REMOVE

NOTE

When performing the following installation procedures, avoid scratching painted surfaces (fender, tank, etc.) with tools or metal seat tabs.

1. Remove seat. See service manual.
 - a. Retain seat mounting screw.
2. **Kit 52000297 only:** Remove protective tape from rear fender.

NOTE

Kit 52000353: Reuse Original Equipment (OE) grab strap from vehicle.

3. **All kits except 52000353:** Figure 1 Remove and discard OE grab strap.
- a. **Kits 52000298, 52000305, 52000349, 52000350, 52000354, 52000652, 52000653, 52000759, 52000761, 52000749, 52000786, 52000789:** Discard large OE seat nuts.
4. Figure 2 Remove studded seat bracket, if equipped. Discard.
 - a. Remove nylon retaining washers (1) from bracket studs (2).
 - b. Remove studded bracket from fender.

INSTALL

1. **Kits 52000295, 52000297, 52000300, 52000355, 52000356, 52000387, 52000388, 52000400, 52000401, 52000652, 52000653, 52000748:** Figure 3 Install retention nut and retention washer in appropriate fender holes.
 - a. A cable strap may be used as an installation aid to install retention nut and washer. Place retention nut (1) over cable strap (3).
 - b. Thread cable strap up under fender and through appropriate fender hole. Pull up on cable strap to hold nut snug against underside of fender.
 - c. With rib on retention nut seated into notch in the appropriate fender hole, slide retention washer (2) into place from rear. This will lock retention nut in place.
 - d. Remove cable strap.
2. **Kits 52000295, 52000297, 52000300, 52000355, 52000387, 52000400, 52000748:** Figure 1 Install protective tape.
 - a. Mark bottom of isolators (5) that contact fender with chalk.
 - b. Set seat in place with front and rear mounting locations on the seat aligned with mounting locations on the vehicle.
 - c. Press down on seat to transfer the marks from isolators to the fender.
 - d. **Kit 52000652, 52000653, 52000759, 52000761, 52000786, 52000789:** Figure 1 If vehicle is equipped with stud plate, use stud plate to attach grab strap using flange nuts (10) from kit.
 - e. Install protective tape (9) on rear fender over marks transferred to fender.

3. **All kits except 52000353:** Figure 1 Install grab strap (4), screw (6) and washer (7). Tighten.
Torque: 6.75–10.2 N·m (60–90 in-lbs)

NOTE

Do not allow seat to contact painted surfaces when sliding it through grab strap or damage to paint can occur.

4. Figure 1 Slide back of seat through grab strap and hook front tab of seat (12) into frame (11).
5. Install seat bracket to fender with OE seat mounting screw. Tighten.
Torque: 1.7–3.4 N·m (15–30 in-lbs)
6. After installing seat, pull up on seat to verify that it is secure. See service manual.

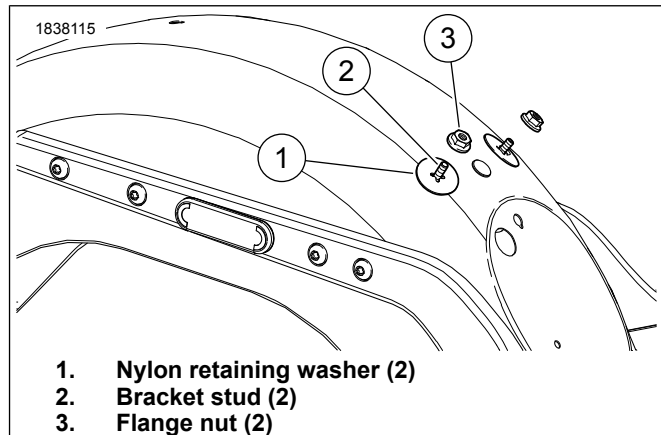


Figure 2. Studded Seat Bracket

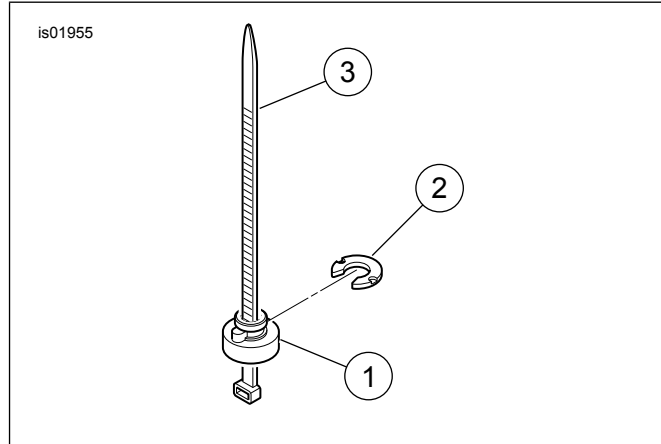


Figure 3. Installation Tool