



# INSTRUCTIONS

J06617

2025-01-23



## COIL COVER

### GENERAL INFORMATION

Table 1. General Information

Kits	Suggested Tools	Skill Level <sup>(1)</sup>
57300213, 57300214, 57300289, 57300416, 57300417, 57300418	Safety glasses, Torque wrench, Flathead screwdriver	
<i>(1) Tightening to torque value or other moderate tools and techniques required</i>		

### KIT CONTENTS

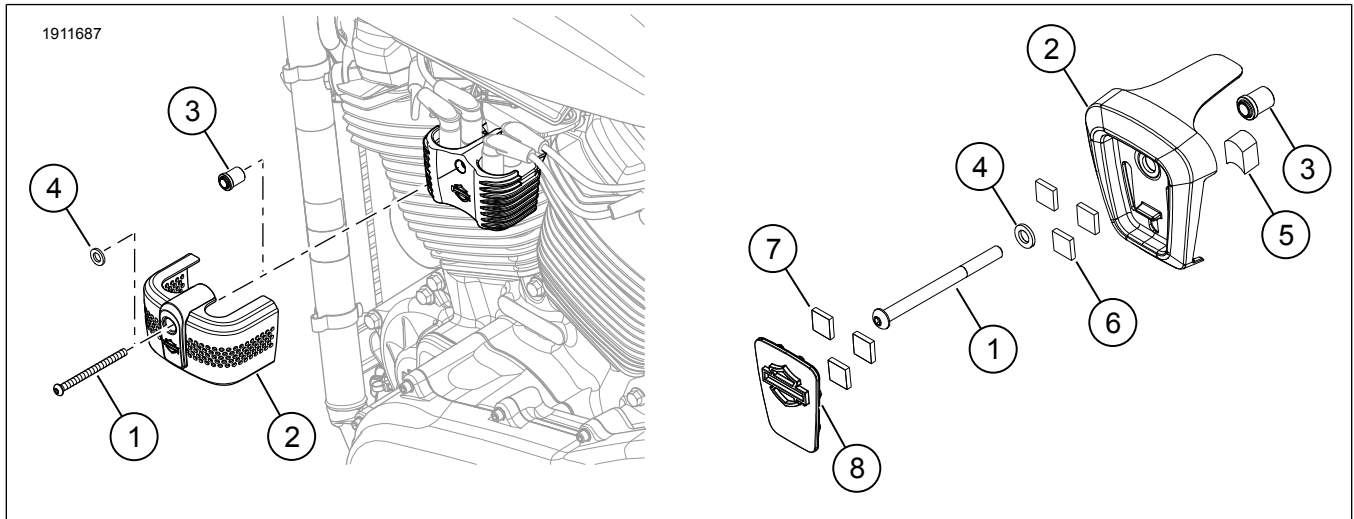


Figure 1. Kit Contents: Coil Cover

Table 2. Kit Contents: Coil Cover Kits

Verify that all contents are present in the kit before installing or removing items from vehicle.					
<input checked="" type="checkbox"/>	Item	Qty	Description	Part No.	Notes
<input type="checkbox"/>	1	1	Screw, chrome	10200731	Kit: 57300213
<input type="checkbox"/>			Screw, black	10200730	Kit: 57300214
<input type="checkbox"/>			Screw, zinc plated	10201184	Kits: 57300289, 57300416, 57300417, 57300418
<input type="checkbox"/>	2	1	Coil cover	Not sold separately	
<input type="checkbox"/>	3	1	Spacer	12400199	Kits: 57300289, 57300416, 57300417, 57300418
<input type="checkbox"/>	4	1	Washer	Not sold separately	Kits: 57300289, 57300416, 57300417, 57300418
<input type="checkbox"/>	5	1	Pad, foam	Not sold separately	Kits: 57300416, 57300417, 57300418
<input type="checkbox"/>	6	3	Mounting tape	Not sold separately	Kits: 57300416, 57300417, 57300418
<input type="checkbox"/>	7	3	Mounting tape	Not sold separately	Kits: 57300416, 57300417, 57300418
<input type="checkbox"/>	8	1	Insert, coil cover	Not sold separately	Kit: 57300416, 57300417, 57300418



## GENERAL

### Models

For model fitment information, see the Parts and Accessories (P&A) Retail Catalog or the Parts and Accessories section of [www.harley-davidson.com](http://www.harley-davidson.com).

Verify that the most current version of the instruction sheet is used. It is available at: [h-d.com/isheets](http://h-d.com/isheets)

Contact Harley-Davidson Customer Support Center at 1-800-258-2464 (U.S. only) or 1-414-343-4056.

### Installation Requirements

#### ▲ WARNING

**Rider and passenger safety depend upon the correct installation of this kit. Use the appropriate service manual procedures. If the procedure is not within your capabilities or you do not have the correct tools, have a Harley-Davidson dealer perform the installation. Improper installation of this kit could result in death or serious injury. (00333b)**

#### NOTE

*This instruction sheet references service manual information. A service manual for the year and model motorcycle is required for this installation and is available from:*

- A Harley-Davidson dealer.
- H-D Service Information Portal, a subscription-based access available for most 2001 and newer models. For more information see *Frequently ask questions about subscriptions*.

### PREPARE

1. Remove main fuse. See service manual.

### REMOVE

1. Remove Original Equipment (OE) coil mounting screw. Discard.

### INSTALL

1. Install coil cover over coil.
  - a. **Kits 57300213, 57300214:** Screw (1) and coil cover (2).
  - b. **Kits 57300289, 57300416, 57300417, 57300418:** Screw (1), washer (4), coil cover (2) and spacer (3).
2. Tighten screw (1).
  - a. **Kits 57300213, 57300214**  
Torque: 14.9–18.9 N·m (11–14 ft-lbs)
  - b. **Kit 57300289**  
Torque: 14.9–16.3 N·m (11–12 ft-lbs)
3. **Kits 57300416, 57300417, 57300418:** Install coil cover over coil.

#### NOTE

*Ensure that the coil cover wraps around the top of coil pack when tightening screw (1).*

- a. Install screw (1), washer (4) coil cover (2), spacer (3) and pad (5).
  - b. Tighten screw (1).  
Torque: 17.6–18.9 N·m (13–14 ft-lbs)
  - c. Install insert (8) to coil cover (2).
4. Insert removal:
    - a. Place edge of screwdriver into notch located at bottom of insert and coil cover.
    - b. Gently pry outward to remove.

### COMPLETE

1. Install main fuse. See service manual.