



INSTRUCTIONS

94100364

2025-01-25



STAGE I, II, III SPEAKER KIT-SADDLEBAG LID (PN 76001291, 76001292 AND 76001499)

GENERAL INFORMATION

Table 1. General Information

Kits	Suggested Tools	Skill Level ⁽¹⁾
76001291, 76001292, 76001499	Safety Glasses, Torque Wrench	
<i>(1) Tightening to torque value or other moderate tools and techniques required</i>		

KIT CONTENTS



Figure 1. Kit Contents: Stage I, II, III Saddlebag Lid Speaker Kit

Table 2. Kit Contents: Stage I, II, III Saddlebag Lid Speaker Kit

<input checked="" type="checkbox"/> Verify that all contents are present in the kit before installing or removing items from vehicle.					
<input type="checkbox"/>	Item	Qty	Description	Part No.	Notes
<input type="checkbox"/>	1	1	Grille, saddlebag speaker, Stage I, right	76001249	
<input type="checkbox"/>			Grille, saddlebag speaker, Stage II, right	76001138	
<input type="checkbox"/>			Grille, saddlebag speaker, Stage III, right	76001500	
<input type="checkbox"/>	2	1	Speaker, 5x7 Stage I, right	76001280	
<input type="checkbox"/>	3	1	Speaker, 5x7 Stage I, left	76001281	
<input type="checkbox"/>	4	1	Speaker, 5x7 Stage II, right	76001133	
<input type="checkbox"/>	5	1	Speaker, 5x7 Stage II, left	76001183	
<input type="checkbox"/>	6	1	Speaker, 6x9 Stage III, right	76001504	
<input type="checkbox"/>	7	1	Speaker, 6x9 Stage III, left	760011505	
<input type="checkbox"/>	8	1	Grille, saddlebag speaker, Stage I, left	76001250	
<input type="checkbox"/>			Grille, saddlebag speaker, Stage II, left	76001139	
<input type="checkbox"/>			Grille, saddlebag speaker, Stage III, left	76001501	
<input type="checkbox"/>	9	1	Warning label, saddlebag capacity, 5x7 speaker	14003785	
<input type="checkbox"/>			Warning label, saddlebag capacity, 6x9 speaker	14002201	

GENERAL

Instruction sheet is also available electronically. To verify you are using the most current version available, do one of the following:

- Go to h-d.com/isheets
- Scan QR code in upper left corner of the instruction sheet

NOTE

This instruction sheet **may have a Supplemental Video** to assist installer in clarifying a certain part of the assembly. A linked video would be located at the end of this instruction sheet.

Models

For model fitment information, see the Parts and Accessories (P&A) Retail Catalog or the Parts and Accessories section of www.harley-davidson.com.

Contact Harley-Davidson Customer Support Center at 1-800-258-2464 (U.S. only) or 1-414-343-4056.

Installation Requirements

▲ WARNING

Rider and passenger safety depend upon the correct installation of this kit. Use the appropriate service manual procedures. If the procedure is not within your capabilities or you do not have the correct tools, have a Harley-Davidson dealer perform the installation. Improper installation of this kit could result in death or serious injury. (00333b)

NOTE

This instruction sheet references service manual information. A service manual for the year and model motorcycle is required for this installation and is available from:

- A Harley-Davidson dealer.
- H-D Service Information Portal, a subscription-based access available for most 2001 and newer models. For more information see *Frequently ask questions about subscriptions*.

These items are available at a Harley-Davidson dealership.

- **2024-later FLHX and FLTRX:** Separate purchase of Speaker Harness Install Kit (Part No. 76001300) is required for this installation.
- **2024-later FLHX and FLTRX:** Separate purchase of Primary Amplifier (Part No. 76001294) is required for this installation.
- **2024-later FLHX and FLTRX:** Separate purchase of Saddlebag Speaker Lid Kit is required for this installation. Contact a Harley-Davidson dealership.
- **2025 FLHXU:** Separate purchase of Speaker Harness Install Kit (Part No. 76001300) is required for this installation.
- **2025 FLHXU:** Separate purchase of Primary Amplifier (Part No. 76001294) is required for this installation.
- **2025 FLHXU:** Separate purchase of Saddlebag Speaker Lid Kit is required for this installation. Contact a Harley-Davidson dealership.

Installation by a technician at a Harley-Davidson dealership is recommended.

To ensure proper audio performance, speaker set up in the Infotainment Control Unit (IFCU) **OR** Digital Technician II (DT II) is required for audio configuration and amplifier firmware update.

NOTE

Ensure to select the proper stage speaker during set up for proper audio functionality and speaker performance. If the wrong stage is selected, this may lead to poor speaker performance and damage.

Electrical Overload

NOTICE

It is possible to overload the vehicle's charging system by adding too many electrical accessories. If the combined electrical accessories operating at any one time consume more electrical current than the vehicle's charging system can produce, the electrical consumption can discharge the battery and cause damage to the vehicle's electrical system. (00211d)

⚠ WARNING

When installing any electrical accessory, be certain not to exceed the maximum amperage rating of the fuse or circuit breaker protecting the affected circuit being modified. Exceeding the maximum amperage can lead to electrical failures, which could result in death or serious injury. (00310a)

PREPARE

NOTE

Models with security: Disable security system.

1. Remove left saddlebag. See service manual.
2. Remove left side cover. See service manual.
3. Remove main fuse. See service manual.

REMOVE

NOTE

New speaker components are shown in graphic, Original Equipment Manufacturer (OEM) is similar.

If speakers are already installed, follow this procedure.

1. Disconnect OEM audio harness connectors.
2. Figure 2 Remove grille screws (4).
3. Remove OEM speaker grille (1).
4. Remove speaker screws (5).
5. Remove OEM speaker (2) from saddlebag lid.
6. Repeat procedure for opposite side.

INSTALL

NOTE

Unfinished saddlebag covers must be painted before speaker installation.

The long screw (5), short screw (4), spacer (3) and harness are included in SADDLEBAG SPEAKER HARNESS INSTALL KIT (Part No. 76001300). See Installation Requirements.

1. Figure 1 Install speaker (2-7) into saddlebag lid.
 - a. Figure 3 Orient speaker to saddlebag lid.
2. Figure 2 Install speaker screws (5).
 - a. Alternately tighten screws.
 - b. Tighten.
Torque: 2–2.5 N·m (18–22 in-lbs) Speaker screw
3. Make sure spacers (3) are properly seated in saddlebag lid.
4. Install speaker grille (1) to saddlebag lid.
5. Install grille screws (4).
 - a. Alternately tighten screws.
 - b. Tighten.
Torque: 2–2.5 N·m (18–22 in-lbs) Speaker grille screw
6. Connect audio harness connectors.
7. Figure 1 Install saddlebag capacity label (9).
 - a. Apply over current label.
8. Repeat procedure for opposite side.

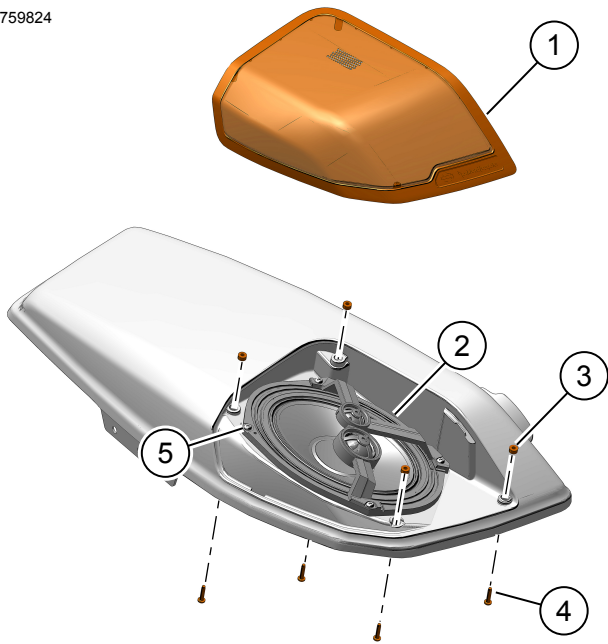
COMPLETE

NOTE

To prevent possible damage to the sound system, verify that the ignition is OFF **before** installing the main fuse.

1. Install main fuse. See service manual.
2. Turn the ignition ON, but do not start the motorcycle.
3. Make sure that all speakers are working and front/rear fader function is operating correctly. If not, check speaker wiring.
4. Install left side cover. See service manual.
5. Install left saddlebag. See service manual.

1759824



- 1. Grille
- 2. Speaker
- 3. Spacer (4)
- 4. Grille screw (4)
- 5. Speaker screw (4)

Figure 2. Speaker and Grille Assembly (Typical)

1837731

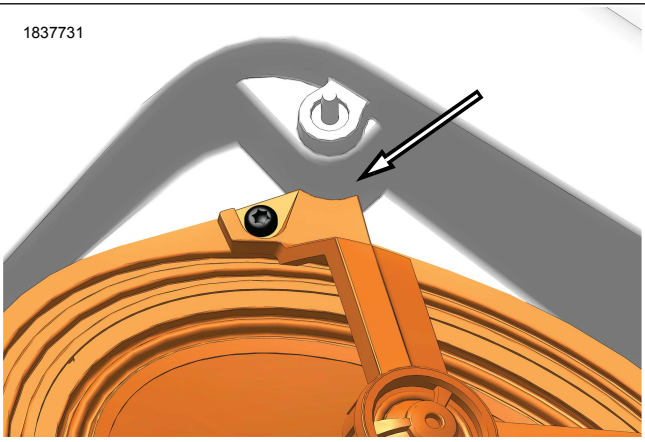


Figure 3. Speaker to Saddlebag Lid Orientation