



INSTRUCTIONS

94100548

2025-02-17



LED KING TOUR-PAK RUN/TURN/BRAKE TAIL LAMP KIT

GENERAL INFORMATION

Table 1. General Information

Kits	Suggested Tools	Skill Level ⁽¹⁾
67801541	Safety glasses, Torque wrench, Drill and drill bit set	

(1) Tightening to torque value or other moderate tools and techniques required

KIT CONTENTS

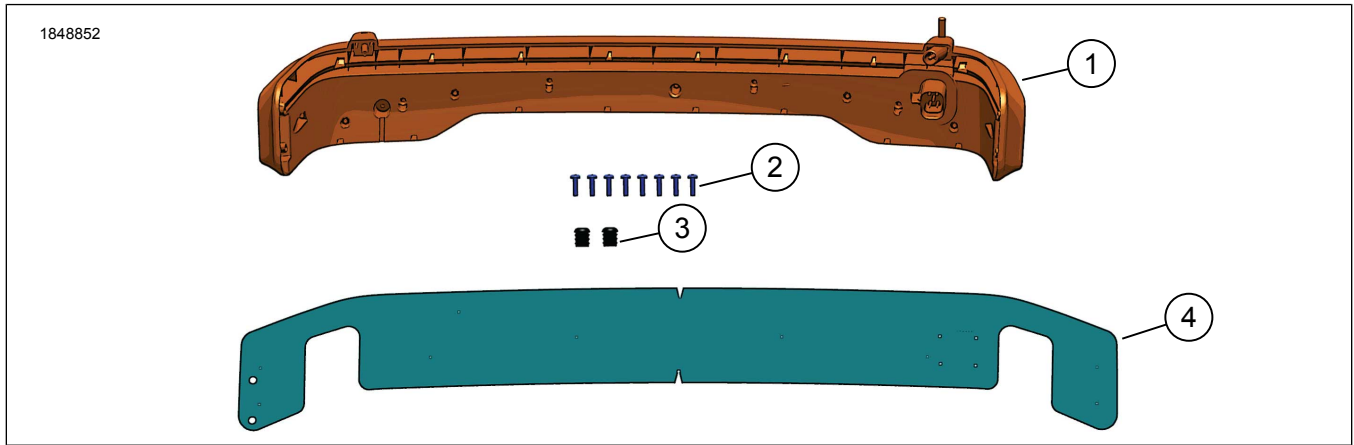


Figure 1. Kit Contents: LED King Tour-Pak Run/Turn/Brake Tail Lamp

Table 2. Kit Contents: LED King Tour-Pak Run/Turn/Brake Tail Lamp Kit

Verify that all contents are present in the kit before installing or removing items from vehicle.					
<input checked="" type="checkbox"/>	Item	Qty	Description	Part No.	Notes
<input type="checkbox"/>	1	1	LED wrap-around lamp assembly	67800093	
<input type="checkbox"/>	2	8	Screw	10200133	
<input type="checkbox"/>	3	2	Plug	12100222	
<input type="checkbox"/>	4	1	Template	Not sold separately	

GENERAL

Models

For model fitment information, see the Parts and Accessories (P&A) Retail Catalog or the Parts and Accessories section of www.harley-davidson.com.

Verify that the most current version of the instruction sheet is used. It is available at: h-d.com/isheets

Contact Harley-Davidson Customer Support Center at 1-800-258-2464 (U.S. only) or 1-414-343-4056.

Installation Requirements

⚠ WARNING

Rider and passenger safety depend upon the correct installation of this kit. Use the appropriate service manual procedures. If the procedure is not within your capabilities or you do not have the correct tools, have a Harley-Davidson dealer perform the installation. Improper installation of this kit could result in death or serious injury. (00333b)

NOTE

This instruction sheet references service manual information. A service manual for the year and model motorcycle is required for this installation and is available from:

- A Harley-Davidson dealer.
- H-D Service Information Portal, a subscription-based access available for most 2001 and newer models. For more information see *Frequently ask questions about subscriptions*.

This item is available at your local Harley-Davidson dealership.

- Separate purchase of Electrical Connection Kit (Part No. 69203400) is required for installation.

PREPARE

1. Remove main fuse. See service manual.

REMOVE

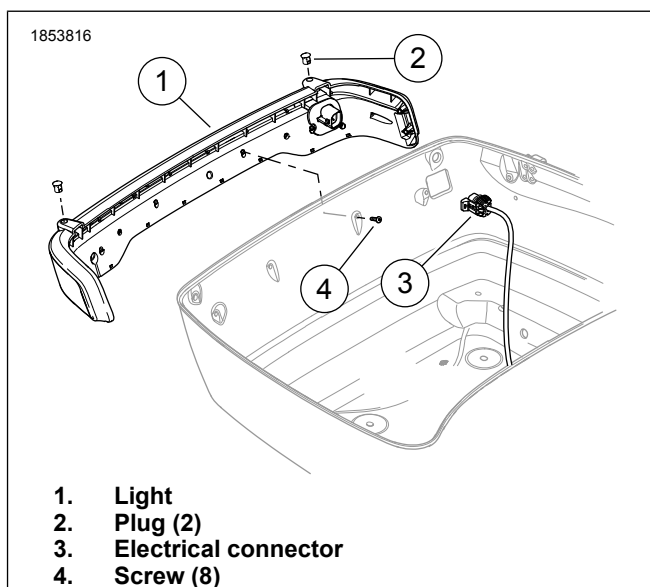
1. Remove Tour-Pak®. See service manual.
2. Remove Tour-Pak liner. See service manual.
3. See Figure 1 and Figure 2. Align template (4) along back ridge of Tour-Pak, mark and drill holes for screws (2).
 - a. Measure from rear of back hinge that connects lid to tub of Tour-Pak.
 - b. From the above origin measure 14.5 in. wrapping around Tour-Pak.
 - c. Align center indicator on template with 14.5 in. mark for the hinge.
 - d. Tape template around edge of Tour-Pak. Make sure that the top of template is parallel with ridge of top.
 - e. Drill out all holes except for the three holes for the grommets.
4. Place template on front of Tour-Pak to drill for wire harness entry.
 - a. Align two shaded holes with tether anchor holes.
 - b. Drill large hole on designated area.
 - c. Install grommet from electrical connection kit (69203400) around electrical harness entrance.
5. Check placement of lamp on rear of Tour-Pak.
6. Hand tighten screws for fitment.
7. Figure 3 Install plugs (2) to top holes in lamp.



Figure 2. Template Placement

INSTALL

1. Figure 3 Install light (1).
2. Secure with screws (4). Tighten.
Torque: 2.3–2.8 N·m (20–25 in-lbs)
3. Install Electrical Connection Kit (Part No. 69203400). See instruction included with kit.



1. Light
2. Plug (2)
3. Electrical connector
4. Screw (8)

Figure 3. Wrap-around Lamp (Typical)

COMPLETE

1. Install Tour-Pak. See service manual.
2. Install main fuse. See service manual.