

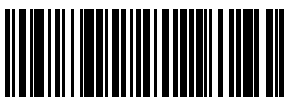
TRIKE MODELS

2017 HARLEY-DAVIDSON® OWNER'S MANUAL



Harley-Davidson Motor Company
Service Communications
Milwaukee WI 53208 USA

2025-03-16



83390-17A

English

Printed in the USA

2017 HARLEY-DAVIDSON® OWNER'S MANUAL
TRIKE MODELS - 83390-17A



83390-17A

HARLEY-DAVIDSON

TRIKE MODELS

2017 HARLEY-DAVIDSON® OWNER'S MANUAL



83390-17A

2017 HARLEY-DAVIDSON® OWNER'S MANUAL - TRIKE MODELS

TABLE OF CONTENTS

INTRODUCTION

Safety Definitions.....	1
Your Owner's Manual.....	1
We Care About You.....	1
United States Owners.....	2
Customer Service Assistance.....	2
Owner Information.....	2

SAFETY FIRST

Safe Operating Rules.....	5
Rules of the Road.....	11
Accessories and Cargo.....	12
Accessories and Cargo Guidelines.....	13
Noise Control System.....	14
Tampering.....	14
Labels.....	14

IDENTIFICATION

Vehicle Identification Number (VIN).....	19
General.....	19
Location.....	19
Abbreviated VIN.....	19

SPECIFICATIONS

Specifications.....	23
---------------------	----

Tire Data.....	27
Fuel.....	30
Gasoline Blends.....	31
Catalytic Converter.....	32

CONTROLS AND INDICATORS

General: Controls and Indicators.....	33
Ignition Switch.....	33
Fork Lock.....	36
FLHTCUTG:.....	36
FLRT:.....	36
Instruments.....	37
Speedometer.....	37
Tachometer.....	37
Fuel Gauge.....	38
Voltmeter: FLHTCUTG.....	38
Vehicle Information: FLHTCUTG.....	38
INDICATOR LAMPS.....	41
Check Engine Lamp.....	41
Low Fuel Lamp.....	41
Battery Discharge Lamp.....	41
Security Lamp.....	41
Turn Signal Indicator Lamps.....	41
Headlamp High Beam Lamp.....	42
Neutral Lamp.....	42
Cruise Control Lamp.....	42

TABLE OF CONTENTS

Auxiliary/Fog Lamp Indicator Lamp: FLHTCUTG DOMESTIC.....	42	CURSOR/SELECT Switch: FLHTCUTG.....	52
Gear Indicator: FLHTCUTG.....	42	Trigger Switch.....	52
Reverse Lamp.....	42	Front Brake Lever.....	52
Parking Brake Lamp.....	42	Throttle Control Grip.....	52
Engine Coolant Temperature Lamp: FLHTCUTG.....	43	Clutch Hand Lever.....	53
Oil Pressure Lamp.....	43	Reverse Control Switches.....	53
Odometer Functions.....	44	Cruise Control.....	55
Odometer.....	44	Turn Cruise On.....	55
Trip Odometers.....	44	Set Cruise Speed.....	55
Fuel Range.....	44	Increase/Decrease Cruise.....	55
Digital Tachometer: FLRT.....	45	Disengage Cruise.....	55
Time: FLRT.....	45	Resume Cruise.....	56
Tip Indicator.....	46	Turn Cruise Off.....	56
No Fob Message.....	46	Accessory Switch.....	58
Hand Controls.....	49	Auxiliary/Fog Lamps: FLHTCUTG.....	59
Engine OFF/RUN Switch.....	49	Passenger Controls.....	59
Engine Start/Hazard Warning Switch.....	49	Mode Switch.....	59
Horn Switch.....	50	Push-To-Talk (PTT)/Volume (VOL) Switch.....	59
Headlamp Dimmer Switch.....	50	Boom! Box Infotainment System.....	60
Turn Signal Switches.....	50	Headset Connection.....	63
Cruise Control Switch.....	50	Electronic Throttle Control (ETC).....	64
Voice Command Switch: FLHTCUTG.....	51	ETC Limited Performance Mode.....	64
Vehicle Information Switch: FLHTCUTG.....	51	ETC Power Management Mode.....	64
HOME/VOLUME/SEEK Switch: FLHTCUTG.....	51	ETC Forced Idle Mode.....	64
		ETC Forced Shut Down Mode.....	64

TABLE OF CONTENTS

Gear Shift Lever.....	65	Fairing Splitstream Vent.....	82
Location.....	65	Adjustable Air Deflectors.....	82
Shift Pattern.....	65	Fairing Lowers.....	83
Neutral.....	65	Vent Door.....	83
Heel-Toe Shift Lever.....	65	Storage Compartment: Air-Cooled Models.....	83
Parking Brake.....	66	Removing Fairing Lowers: Air-Cooled Models.....	84
Applying Parking Brake.....	67	Cooling System: Twin-Cooled Vehicles.....	84
Releasing Parking Brake.....	67		
Brake System.....	68	SECURITY SYSTEM	
Passenger Footboard Height Adjustment.....	68	Security System.....	87
Fuel Filler Cap.....	69	Components.....	87
FLRT.....	70	Options.....	87
FLHTCUTG.....	70	Security System Fob.....	87
Fuel Filler Cap.....	70	Fob Assignment.....	87
Rear View Mirrors.....	72	Riding with a Fob.....	88
Air Shock Adjustment.....	72	Riding without a Fob.....	88
Recommended Pressure.....	72	Personal Identification Number (PIN).....	89
Adjustment.....	73	Changing the PIN.....	89
Luggage.....	75	Security Status Indicator.....	92
Passenger Grab Handles: FLRT.....	76	Arming and Disarming.....	92
TOUR-PAK.....	76	Arming.....	92
Operation.....	77	Disarming.....	92
Removal/Installation.....	77	Disarming with a PIN.....	93
Trunk: FLRT.....	78	Alarm.....	95
Trunk: FLHTCUTG.....	79	Ignition Disabled.....	95
Power Port: FLHTCUTG.....	80	Warnings.....	95

TABLE OF CONTENTS

Alarm Activation.....	95
Deactivate Alarm.....	96
Siren Chirp Mode (Confirmation).....	96
Chirp Mode.....	96
Chirpless Mode.....	96
Switching Modes.....	96
Transport Mode.....	96
To Enter Transport Mode.....	96
To Exit Transport Mode.....	97
Storage and Service Departments.....	97
Long-Term Parking.....	97
Service Departments.....	97
Fob Battery.....	97
Battery Replacement Schedule.....	97
Battery Replacement.....	97
Disconnecting Power.....	98
All Models.....	98
Troubleshooting.....	99
Security System Indicator.....	99
Fob.....	99
Siren.....	99
FCC Regulations: Key Fob.....	100
Key Fob RF Certifications.....	100

OPERATION

Operating Recommendations.....	103
Break-in Riding Rules.....	104
The First 500 mi (800 km).....	104
Pre-Riding Checklist.....	105
Starting the Engine.....	106
General.....	106
Starting.....	107
Starting after Tipover.....	108
Engine Idle Temperature Management System.....	109
Operation.....	109
Enabling/Disabling EITMS.....	109
Stopping the Engine.....	110
Shifting Gears.....	110
Shifting while Stopped, Engine Off.....	110
Starting from a Stop.....	110
Upshift (Acceleration).....	111
Downshift (Deceleration).....	112
Reverse Operation.....	113

MAINTENANCE AND LUBRICATION

Safe Operating Maintenance.....	117
Break-in Maintenance.....	117
Disposal and Recycling.....	118

TABLE OF CONTENTS

Engine Lubrication.....	118	Parking Brake.....	145
Engine Oil Level.....	119	Inspection.....	145
Oil Level Cold Check.....	119	Adjustment.....	145
Oil Level Hot Check.....	120	Tires.....	146
Change Oil and Oil Filter.....	121	Tire Replacement.....	148
Low Temperature Lubrication.....	124	Inspection.....	148
OIL COOLER.....	124	When To Replace Tires.....	148
Checking Transmission Lubricant Level.....	125	Shock Absorbers.....	152
Change Transmission Lubricant.....	126	Spark Plugs.....	152
Change Primary Chaincase Lubricant.....	127	AIR FILTER.....	153
Cooling System.....	131	Removal.....	153
Checking Coolant Level.....	132	Installation.....	154
Clean Radiators.....	133	Jacking Points.....	155
Checking Coolant Freeze Point.....	134	Headlamp: FLHTCUTG, Single LED.....	156
Check Drive Belt Deflection.....	134	Bulb Replacement.....	156
Vehicle Alignment.....	137	Headlamp Alignment: FLHTCUTG, Single LED.....	157
Chassis Lubrication.....	137	Check Alignment.....	157
Oil Applications.....	138	Adjust Alignment.....	158
Front Fork Oil.....	138	Headlamp Alignment: FLRT, Single Headlamp.....	158
Hydraulic Clutch.....	138	Check Alignment.....	158
Hydraulic Lifters.....	138	Adjust Alignment.....	160
Steering Damper.....	139	Headlamp Service: Dual LED.....	161
STEERING HEAD BEARINGS.....	139	Removal.....	161
BRAKES.....	139	Installation.....	161
Brake Fluid.....	139	Headlamp Bulb Replacement: FLRT, Single Headlamp... 162	
Brake Pads.....	142	Disassemble.....	162

TABLE OF CONTENTS

Assemble.....	163	Fuses and Relays.....	185
Headlamp Alignment: Dual LED Headlamps.....	165	Main Fuse.....	185
Check Alignment.....	165	System Fuses.....	185
Adjust Headlamp Alignment.....	166	Reverse Motor Circuit Breaker.....	188
Auxiliary/Fog Lamp Alignment: FLHTCUTG.....	167	SEAT.....	189
Turn Signal Bulb Replacement: Bullet Style.....	168	Removal: FLRT.....	189
Turn Signal Bulb Replacement: LED.....	169	Installation: FLRT.....	189
Turn Signal Bulb Replacement: Incandescent.....	169	Removal: FLHTCUTG.....	189
Tail Lamp Bulb Replacement: Incandescent.....	170	Installation: FLHTCUTG.....	190
Removal.....	170	Rear Axle Tie Down Loops.....	191
Installation.....	170	Radio Antenna.....	191
Tail Lamp Bulb Replacement: LED.....	172	Motorcycle Storage.....	191
Harley-Davidson Absorbed Glass Mat (AGM) Battery Charging Information.....	172	Placing Motorcycle in Storage.....	191
Battery Maintenance.....	172	Removing Motorcycle from Storage.....	193
Type.....	172	CARE AND CLEANING	
Voltmeter Test.....	176	Cleaning and General Care.....	195
Cleaning and Inspection.....	176	Trunk.....	199
Charging.....	176	Washing the Motorcycle.....	199
Storage.....	178	Preparation.....	200
Battery.....	180	Cleaning Wheels and Tires.....	200
Disconnection and Removal.....	180	Washing the Motorcycle.....	200
Installation and Connection.....	181	Drying the Motorcycle.....	201
Battery Tender Connector.....	183	Polishing and Sealing.....	201
Side Covers.....	184	Audio System Care.....	201

TABLE OF CONTENTS

Replaceable Screen Protector.....	201
Cleaning the Radio.....	201
Speaker Care.....	202
Denim Finish Care.....	202
How to Clean.....	202
Leather and Vinyl Care.....	202
Fairing Splitstream Vent Care.....	203
Wheel Care.....	204
Exhaust Care.....	205
Windshield Care.....	205

TROUBLESHOOTING

Troubleshooting: General.....	207
Engine.....	207
Starter Does Not Operate or Does Not Turn Engine Over.....	207
Engine Turns Over but Does Not Start.....	207
Starts Hard.....	207
Starts but Runs Irregularly or Misses.....	208
A Spark Plug Fouls Repeatedly.....	208
Pre-ignition or Detonation (Knocks or Pings).....	208
Overheats.....	208
Excessive Vibration.....	208
Engine Oil Not Circulating (Oil Pressure Lamp Lit).....	208
Electrical System.....	209
Alternator Does Not Charge.....	209

Alternator Charge Rate is Below Normal.....	209
Transmission.....	209
Transmission Shifts Hard.....	209
Transmission Jumps Out of Gear.....	209
Clutch Slips.....	209
Clutch Drags or Does Not Release.....	209
Clutch Chatters.....	209
Brakes.....	209
Brakes Do Not Hold Normally.....	209
Parking Brake Does Not Hold Normally.....	210
Cooling System: Twin-Cooled Models.....	210
Overheats.....	210
Reverse Motor.....	210
Reverse Motor Does Not Operate/Cannot Enable.....	210
Handling.....	210
Irregularities.....	210

ACCESSORIES

Genuine Motor Parts and Accessories.....	213
Online Catalog.....	213
Shop for Your Bike.....	213
Customizer.....	213
Fit Shop.....	213
Custom Seats.....	213
Custom Coverage.....	214
Add Accessories to Your New Motorcycle.....	214

TABLE OF CONTENTS

WARRANTIES AND RESPONSIBILITIES

Warranty and Maintenance.....	215
Keeping It All Harley-Davidson.....	215
California and Select International Markets Evaporative Emission Controls.....	216
EPA Noise Regulations in the United States.....	216
EPA Regulations.....	216
Warranty/Service Information.....	217
Reporting Safety Defects in the United States.....	217
NHTSA Statement.....	217
Required Documentation for Imported Motorcycles.....	218
Owner Contact Information.....	218
Questions and Concerns.....	218

LIMITED MOTORCYCLE WARRANTY

2017 Harley-Davidson Motorcycle Limited Warranty.....	221
24 Months/Unlimited Miles.....	221
Duration.....	222
Owner's Obligations.....	222
Exclusions.....	222
Other Limitations.....	223
Important: Read Carefully.....	224

LIMITED MOTORCYCLE WARRANTY (AUSTRALIA)

2017 Australia/New Zealand Harley-Davidson Motorcycle Manufacturer's Limited Warranty.....	225
24 Months/Unlimited Miles.....	225
Your Consumer Rights.....	225
Warranty.....	225
Warranty Period.....	226
Obtaining Warranty Service.....	226
Exclusions.....	226
Other Limitations.....	227
Important: Read Carefully.....	228

LIMITED NOISE WARRANTY

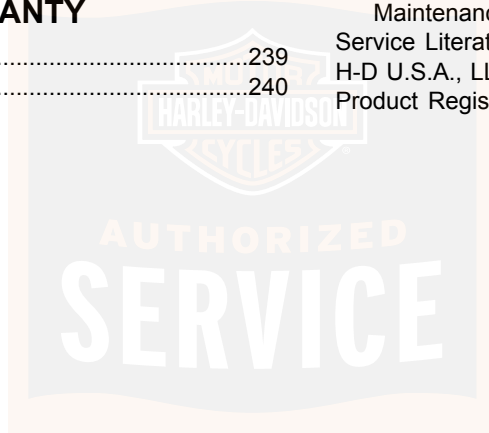
2017 Harley-Davidson Motorcycle Noise Control System Limited Warranty.....	229
Other Rights.....	230
Recommendations for Required Maintenance.....	230

LIMITED EMISSION WARRANTY

2017 Harley-Davidson Emission Control System Limited Warranty.....	231
Items Covered by this Emission Warranty.....	232
Other Rights.....	233

TABLE OF CONTENTS

Recommendations for Required Maintenance.....	233	LIMITED RADIO WARRANTY (AUSTRALIA)	
CALIFORNIA EMISSIONS CONTROL WARRANTY		2017 Australia/New Zealand Limited Radio Warranty.....	241
California Emissions Control Warranty Statement.....	235	Your Consumer Rights.....	241
Your Warranty Rights and Obligations.....	235	Warranty.....	241
Manufacturer's Warranty Coverage.....	235	Warranty Period.....	241
Owner's Warranty Responsibilities.....	235	Exclusions.....	242
Additional Warranty Terms.....	236	Obtaining Warranty Service.....	242
What Is Covered by this Emission Warranty.....	237	MAINTENANCE SCHEDULING	
What Is Not Covered by this Emission Warranty.....	237	Service Records.....	243
LIMITED RADIO WARRANTY		Regular Service Intervals.....	243
2017 Limited Radio Warranty.....	239	Maintenance Records.....	247
Other Rights.....	240	Service Literature.....	248
		H-D U.S.A., LLC Trademark Information.....	248
		Product Registered Marks.....	249



NOTES



SAFETY DEFINITIONS

Statements in this manual preceded by the following words are of special significance:

▲ WARNING

WARNING indicates a potentially hazardous situation which, if not avoided, could result in death or serious injury. (00119a)

▲ CAUTION

CAUTION indicates a potentially hazardous situation which, if not avoided, may result in minor or moderate injury. (00139a)

NOTICE

NOTICE indicates a potentially hazardous situation which, if not avoided, may result in property damage. (00140b)

NOTE

A *NOTE* refers to important information and is placed in italic type. It is recommended that you take special notice of these items.

HARLEY-DAVIDSON MOTORCYCLES ARE FOR ON-ROAD USE ONLY

This motorcycle is not equipped with a spark arrester and is designed to be used only on the road. Operation of off-road usage in some areas may be illegal. Obey local laws and regulations. This manual should be considered a permanent part of the motorcycle and should remain with the motorcycle when resold.

VISIT THE HARLEY-DAVIDSON WEB SITE

<http://www.harley-davidson.com>

YOUR OWNER'S MANUAL

We Care About You

Welcome to the Harley-Davidson Motorcycling Family! When enjoying your Harley-Davidson motorcycle, be sure to ride safely, respectfully and within the limits of the law. Always wear a helmet, proper eyewear and protective clothing, and insist your passenger does too. Never ride while under the influence of alcohol or drugs. Know your Harley and read and understand your owner's manual from cover to cover.

This manual has been prepared to acquaint you with the operation, care and maintenance of your motorcycle and to provide you with important safety information. Follow these instructions carefully for maximum motorcycle performance and for your personal motorcycling safety and pleasure. Your Owner's Manual contains instructions for operation and minor maintenance. Major repairs are covered in the

Harley-Davidson Service Manual. Such major repairs require the attention of a skilled technician and the use of special tools and equipment. Your Harley-Davidson dealer has the facilities, experience and Genuine Harley-Davidson parts necessary to properly render this valuable service. We recommend that any emission system maintenance be performed by an authorized Harley-Davidson dealer.

Attend a rider safety course. To enroll in a Harley-Davidson Riding Academy course, call 1-414-343-4056 (U.S.) or visit www.harley-davidson.com/learntoride. In the United States, for information about Motorcycle Safety Foundation rider courses, call 1-800-446-9227 or visit www.msf-usa.org.

United States Owners

Your Harley-Davidson motorcycle conforms to all applicable U.S. Federal Motor Vehicle Safety Standards and U.S. Environmental Protection Agency regulations effective on the date of manufacture. Protect your privilege to ride by joining the American Motorcyclist Association. Visit www.ama-cycle.org for more information.

CUSTOMER SERVICE ASSISTANCE

Most sales or service issues will be resolved at the dealership. However if an issue arises that your dealer cannot resolve, please follow the procedure below.

1. Discuss your problem with the appropriate personnel at the dealership in the Sales, Service or Parts area. If that proves unsuccessful, speak to the owner of the dealership or the general manager.
2. If you cannot resolve the issue with the dealership, you can contact the Harley-Davidson Customer Service Department by calling (414) 343-4056 or write to:

Attention: Customer Service Department

Harley-Davidson Motor Company

P. O. Box 653

Milwaukee, WI 53201

To avoid delays, please have the following information available to give to the Customer Service Representative:

- Your name, address and phone number.
- Motorcycle V.I.N. (Vehicle Identification Number) found on the vehicle registration or stamped on the steering head and on a label located on the motorcycle itself.
- Name and location of the dealership.
- Current odometer reading.
- Clear description of the issue.

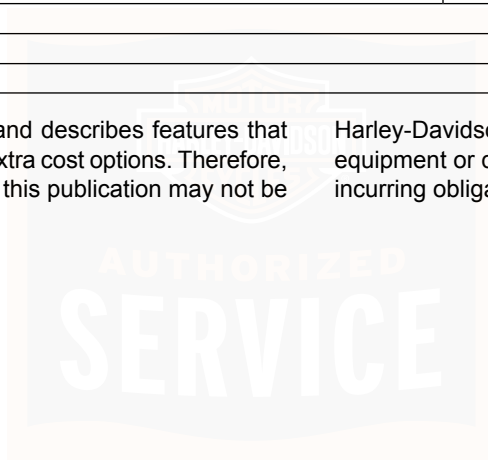
OWNER INFORMATION

Table 3. Owner Information

Item	Owner Information	Dealer Information
Name:		
Address:		
City:		
State/Province:		
Zip:		
Telephone:		
Ignition Key Number:		
Security System PIN: _____ - _____ - _____ - _____		
Sales Contact:		
Service Contact:		
Parts Contact:		

This owner's manual illustrates and describes features that are standard or are available as extra cost options. Therefore, some of the equipment shown in this publication may not be on your motorcycle.

Harley-Davidson reserves the right to change specifications, equipment or designs at any time without notice and without incurring obligation.



NOTES



SAFE OPERATING RULES

▲ WARNING

Three-wheeled motorcycles are different from two-wheeled motorcycles and other vehicles. They operate, steer, handle and brake differently. Unskilled or improper use could result in loss of control, death or serious injury.

- Take a rider training course.
- Read owner's manual before riding, adding accessories or servicing.
- Wear a helmet, eye protection and protective clothing.
- Never tow a trailer.

(00587e)

- Take a rider training course.
- Read owner's manual before riding, adding accessories or servicing.
- Wear a helmet, eye protection and protective clothing.
- Never tow a trailer.

Before operating your motorcycle, read and follow the operating and maintenance instructions in this manual. Follow these basic rules for your personal safety.

- Review the TRIKE PRODUCT ORIENTATION VIDEO provided with your vehicle to understand the operation and characteristics of your three-wheeled motorcycle.
- Know and respect the rules of the road. See SAFETY FIRST > RULES OF THE ROAD (Page 11). Carefully read and familiarize yourself with the motorcycle safety information provided by your country or state. Read the RIDING TIPS booklet provided with your Owner's Kit (in the U.S.) and the MOTORCYCLE HANDBOOK which is made available by your state or regional traffic authority. The RIDING TIPS booklet is also available on www.msfc-usa.org.
- Before starting engine, check for proper operation of brakes, clutch, shifter, throttle controls, correct fuel and oil supply.

▲ WARNING

Harley-Davidson parts and accessories are designed for Harley-Davidson motorcycles. Using non-Harley-Davidson parts or accessories can adversely affect performance, stability or handling, which could result in death or serious injury. (00001b)

⚠ WARNING

Stop the engine when refueling or servicing the fuel system. Do not smoke or allow open flame or sparks near gasoline. Gasoline is extremely flammable and highly explosive, which could result in death or serious injury. (00002a)

- Use only Harley-Davidson approved parts and accessories. Use of certain other manufacturer's performance parts may void your new motorcycle warranty, except where prohibited by law. See your Harley-Davidson dealer for details.

When refueling your motorcycle observe the following rules.

- Refuel in a ventilated area with the engine turned off.
- Remove fuel filler cap slowly.
- Do not smoke or allow open flames or sparks when refueling or servicing the fuel system.
- Do not fill fuel tank above the bottom of the filler neck insert.
- Leave air space to allow for fuel expansion.

⚠ WARNING

Do not store motorcycle with gasoline in tank within the home or garage where open flames, pilot lights, sparks or electric motors are present. Gasoline is extremely flammable and highly explosive, which could result in death or serious injury. (00003a)

⚠ WARNING

Engine exhaust from this product contains chemicals known to the State of California to cause cancer, and birth defects or other reproductive harm. (00004f)

⚠ WARNING

Do not run motorcycle in a closed garage or confined area. Inhaling motorcycle exhaust, which contains poisonous carbon monoxide gas, could result in death or serious injury. (00005a)

- A new motorcycle must be operated according to the special break-in procedure. See OPERATION > BREAK-IN RIDING RULES (Page 104).
- Operate motorcycle only at moderate speed and out of traffic until you become thoroughly familiar with its operation and handling characteristics under all conditions.

NOTE

Harley-Davidson recommends that you obtain information and formal training in the correct motorcycle riding technique. In the United States, the Motorcycle Safety Foundation® offers beginning, advanced and 3-wheel basic rider safety courses. Call 800-446-9227 for information.

▲ WARNING

Travel at speeds appropriate for road and conditions and never travel faster than posted speed limit. Excessive speed can cause loss of vehicle control, which could result in death or serious injury. (00008a)

- Do not exceed the legal speed limit or drive too fast for existing conditions. Always reduce speed when poor driving conditions exist. High speed increases the influence of any other condition affecting stability and increases the possibility of loss of control.
- Steering and handling characteristics for a three wheeled motorcycle are different than a two wheeled motorcycle. Approach corners and sharp turns using the appropriate speed and steering technique to handle the turn and prevent rollover.

- Pay strict attention to road surfaces and wind conditions, and always keep both hands on the handlebar grips when riding the motorcycle. The vehicle may be subject to upsetting forces such as wind blasts from passing trucks, holes in the pavement, rough road surfaces and rider control error. These forces may influence the handling characteristics of your motorcycle. If you experience these conditions, reduce speed and guide the motorcycle with a relaxed grip to a controlled condition. Do not brake abruptly or force the handlebar. This may aggravate an unstable condition.
- The rear of the vehicle is wider than a typical motorcycle. Check for proper clearance when maneuvering, cornering, parking and operating the vehicle in reverse.
- Keep cargo weight concentrated close to the motorcycle and as low as possible to minimize the change in the motorcycle's center of gravity. Distribute weight evenly on both sides of the vehicle. Do not load bulky items too far behind the rider or add weight to the handlebars or front forks. Do not exceed maximum specified load in Tour-Pak or trunk.

NOTE

New riders should gain experience under various conditions while riding at moderate speeds.

- Operate your motorcycle defensively. Remember, a motorcycle does not afford the same protection as an automobile in an accident. One common risk for an accident occurs when another vehicle turns left in front of an on-coming motorcyclist. Operate only with headlamp on.

▲ WARNING

Avoid contact with exhaust system and wear protective clothing that completely covers legs while riding. Exhaust pipes and mufflers get very hot when engine is running and remain too hot to touch, even after engine is turned off. Failure to wear protective clothing could result in burns or other serious injury. (00009a)

- Wear an approved helmet, clothing and foot gear suited for motorcycle riding. Bright or light colors are best for greater visibility in traffic, especially at night. Avoid loose, flowing garments and scarves.
- When carrying passengers, it is your responsibility to instruct them on proper riding procedures. See the RIDING TIPS booklet included in your Harley-Davidson Owner's Kit (in the U.S.) or available on www.msf-usa.org.
- Do not allow other individuals, under any circumstances, to operate your motorcycle unless you know that they are experienced, licensed riders and are thoroughly familiar with the operation of your particular motorcycle.

- Protect your motorcycle against theft. Using the fork lock immediately after parking your motorcycle will discourage unauthorized use or theft.
- Safe motorcycle operation requires alert mental judgment combined with a defensive driving attitude. Do not allow fatigue, alcohol or drugs to endanger your safety or that of others.
- For vehicles with a sound system, adjust the volume to a non-distracting level before operating vehicle.
- Maintain your motorcycle in proper operating condition in accordance with MAINTENANCE SCHEDULING > SERVICE RECORDS (Page 243). Proper care and maintenance, including tire pressure, tire condition, tread depth and proper adjustment to steering head bearings are important to stability and safe operation of the motorcycle.

▲ WARNING

Do not operate vehicle with forks locked. Locking the forks restricts the vehicle's turning ability, which could result in death or serious injury. (00035a)

⚠ WARNING

Perform the service and maintenance operations as indicated in the regular service interval table. Lack of regular maintenance at the recommended intervals can affect the safe operation of your motorcycle, which could result in death or serious injury. (00010a)

⚠ WARNING

Do not operate motorcycle with loose, worn or damaged steering or suspension systems. Contact a Harley-Davidson dealer for repairs. Loose, worn or damaged steering or suspension components can adversely affect stability and handling, which could result in death or serious injury. (00011a)

⚠ WARNING

Regularly inspect shock absorbers and front forks. Replace leaking, damaged or worn parts that can adversely affect stability and handling, which could result in death or serious injury. (00012a)

⚠ WARNING

Use Harley-Davidson replacement fasteners. Aftermarket fasteners can adversely affect performance, which could result in death or serious injury. (00013a)

- See your Harley-Davidson service manual for proper torque values.
- Aftermarket fasteners may not have the specific property requirements to perform properly.

⚠ WARNING

Be sure tires are properly inflated, balanced, undamaged, and have adequate tread. Inspect your tires regularly and see a Harley-Davidson dealer for replacements. Riding with excessively worn, unbalanced, improperly inflated, overloaded or damaged tires can lead to tire failure and adversely affect stability and handling, which could result in death or serious injury. (00014b)

⚠ WARNING

Replace punctured or damaged tires. In some cases, small punctures in the tread area may be repaired from within the removed tire by a Harley-Davidson dealer. Speed should NOT exceed 80 km/h (50 mph) for the first 24 hours after repair, and the repaired tire should NEVER be used over 129 km/h (80 mph). Failure to follow this warning could lead to tire failure and result in death or serious injury. (00015b)

⚠ WARNING

Only install original equipment tire valves and valve caps. A valve, or valve and cap combination, that is too long or too heavy can strike adjacent components and damage the valve, causing rapid tire deflation. Rapid tire deflation can cause loss of vehicle control, which could result in death or serious injury. (00281a)

⚠ WARNING

Do not exceed the motorcycle's Gross Vehicle Weight Rating (GVWR) or Gross Axle Weight Rating (GAWR). Exceeding these weight ratings can lead to component failure and adversely affect stability, handling and performance, which could result in death or serious injury. (00016f)

- GVWR is the sum of the weight of the motorcycle, accessories and the maximum weight of the rider, passenger and cargo that can be safely carried.
- GAWR is the maximum amount of weight that can be safely carried on each axle.
- The GVWR and GAWR are shown on the information label on the frame downtube.
- Refer to Table 13 for weights.

⚠ WARNING

Do not tow a disabled motorcycle. Towing can adversely affect stability and handling, which could result in death or serious injury. (00017a)

⚠ WARNING

Do not pull a trailer with a motorcycle. Pulling a trailer can cause tire overload, damage and failure, reduced braking performance, and adversely affect stability and handling, which could result in death or serious injury. (00018c)

⚠ WARNING

Contact with DOT 4 brake fluid can have serious health effects. Failure to wear proper skin and eye protection could result in death or serious injury.

- **If inhaled:** Keep calm, remove to fresh air, seek medical attention.
- **If on skin:** Remove contaminated clothing. Rinse skin immediately with plenty of water for 15-20 minutes. If irritation develops, seek medical attention.
- **If in eyes:** Wash affected eyes for at least 15 minutes under running water with eye lids held open. If irritation develops, seek medical attention.

- **If swallowed: Rinse mouth and then drink plenty of water. Do not induce vomiting. Contact Poison Control. Immediate medical attention required.**
- **See Safety Data Sheet (SDS) for more details available at sds.harley-davidson.com**

(00240e)

⚠ WARNING

Batteries, battery posts, terminals and related accessories contain lead and lead compounds, and other chemicals known to the State of California to cause cancer, and birth defects or other reproductive harm. Wash hands after handling. (00019e)

⚠ WARNING

Consult a Harley-Davidson dealer regarding any questions or problems that occur in the operation of your motorcycle. Failure to do so can aggravate an initial problem, cause costly repairs, cause an accident and could result in death or serious injury. (00020a)

- **Make sure all equipment required by federal, state and local law is installed and in good operating condition.**

⚠ WARNING

Do not open storage compartments while riding. Distractions while riding can lead to loss of control, which could result in death or serious injury. (00082a)

RULES OF THE ROAD

- Always use your turn signals and exercise caution when passing other vehicles going in the same direction. Never pass going in the same direction at street intersections, on curves or when going up or down a hill.
- At street intersections, give the right-of-way. Do not presume you have the right-of-way, as the other driver may not know that it is your turn.
- Always signal when preparing to stop, turn or pass.
- Promptly obey all traffic signs, including those signs used for the control of traffic at intersections. Always obey traffic signs near schools and at railroad crossings.
- When intending to turn, signal at least 30.5 m (100 ft) before reaching the turning point. If turning across an intersection, move over to the centerline of the street (unless local rules require otherwise). Slow down when entering the intersection and turn carefully.

- Never anticipate a traffic light. When a change is indicated from GO to STOP (or STOP to GO), slow down and wait for the light to change. Never run through a yellow or red traffic light.
- While turning, watch for pedestrians, animals, as well as vehicles.
- Do not leave the curb or parking area without signaling. Make sure that your way is clear to enter moving traffic. A moving line of traffic always has the right-of-way.
- Make sure that your license plate is installed in the position specified by law. Make sure that your license plate is always clearly visible. Keep the license plate clean.
- Ride at a safe speed that is consistent with the type of highway you are on. Pay strict attention to whether the road is dry, oily, icy or wet.
- Watch for debris such as leaves or loose gravel.
- Weather and traffic conditions on the highway dictate adjusting your speed and driving habits accordingly.

ACCESSORIES AND CARGO

Harley-Davidson Motor Company cannot test and make specific recommendations concerning every accessory or combination of accessories sold. Therefore, the rider must be responsible for safe operation when installing accessories or carrying extra weight.

⚠ WARNING

See **ACCESSORIES AND CARGO** section within the **SAFETY FIRST** section in your owner's manual. Improper cargo loading or accessory installation can cause component failure and adversely affect stability, handling and performance, which could result in death or serious injury. (00021c)

⚠ WARNING

Do not exceed the motorcycle's **Gross Vehicle Weight Rating (GVWR)** or **Gross Axle Weight Rating (GAWR)**. Exceeding these weight ratings can lead to component failure and adversely affect stability, handling and performance, which could result in death or serious injury. (00016f)

- GVWR is the sum of the weight of the motorcycle, accessories and the maximum weight of the rider, passenger and cargo that can be safely carried.
- GAWR is the maximum amount of weight that can be safely carried on each axle.
- The GVWR and GAWR are shown on the information label on the frame downtube. Refer to Table 13.

▲ WARNING

Do not pull a trailer with a motorcycle. Pulling a trailer can cause tire overload, damage and failure, reduced braking performance, and adversely affect stability and handling, which could result in death or serious injury. (00018c)

Accessories and Cargo Guidelines

The following guidelines should be used when equipping a motorcycle, carrying passengers and/or cargo.

▲ WARNING

Travel at speeds appropriate for road and conditions and never travel faster than posted speed limit. Excessive speed can cause loss of vehicle control, which could result in death or serious injury. (00008a)

- Do not exceed the legal speed limit or drive too fast for existing conditions. Always reduce speed when poor driving conditions exist. High speed increases the influence of any other condition affecting stability and increases the possibility of loss of control.
- Pay strict attention to road surfaces and wind conditions and always keep both hands on the handlebar grips when riding. The vehicle may be subject to upsetting forces such as wind blasts from passing trucks, holes in the pavement, rough road surfaces and rider control error. These forces may influence the handling characteristics of your motorcycle. If this happens, reduce speed and guide the motorcycle with a relaxed grip to a controlled condition. Do not brake abruptly or force the handlebar. This may aggravate an unstable condition.
- Keep cargo weight concentrated close to the motorcycle and as low as possible. This position minimizes the change in the motorcycle's center of gravity.
- Do not load bulky items too far behind the rider or add weight to the handlebars or front forks.
- Do not exceed maximum specified load in Tour-Pak or trunk.
- Luggage racks are designed for lightweight items. Do not overload racks.
- Make sure cargo is secure and does not shift when riding and recheck the cargo periodically. Accessories that change the operator's riding position may increase reaction time and affect handling of the motorcycle.
- Extra electrical equipment can overload the motorcycle's electrical system. An overloaded electrical system can result in electrical system and/or component failure.

- Large surfaces such as fairings, windshields, backrests and luggage racks can have an adverse effect on stability and handling.
- Only install Genuine Harley-Davidson accessories designed specifically for your motorcycle.
- Pay particular attention to the weights of accessories, cargo, riding gear, passenger and rider and how the sum total of all these weights affect the loading capacity of your motorcycle.

▲ WARNING

Harley-Davidson parts and accessories are designed for Harley-Davidson motorcycles. Using non-Harley-Davidson parts or accessories can adversely affect performance, stability or handling, which could result in death or serious injury. (00001b)

NOISE CONTROL SYSTEM

Tampering

Removal or replacement of any noise control system component may be prohibited by law. This prohibition includes modifications made prior to vehicle sale or delivery to the ultimate purchaser. Use of a vehicle on which noise control system components have been removed or rendered inoperative may also be prohibited by law.

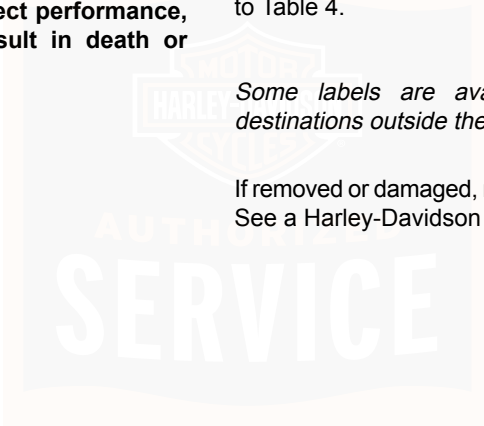
LABELS

See Figure 1. The safety and maintenance labels on your motorcycle indicate compliance to market regulations. Refer to Table 4.

NOTE

Some labels are available in different languages for destinations outside the United States.

If removed or damaged, replacement labels can be purchased. See a Harley-Davidson dealer for all available labels.



om01286

1

⚠ WARNING Motorcycles are different from other vehicles. They operate, steer, handle and brake differently. Unskilled or improper use could result in loss of control, death or serious injury.

- Take a rider training course.
- Read Owner's Manual before riding, adding accessories or servicing.
- Wear a helmet, eye protection and protective clothing.
- Never tow a trailer.

For a manual, find the nearest dealer at 1-414-343-4056 or www.harley-davidson.com 29108-08

2

⚠ WARNING

A connected battery can cause a spark or motorcycle startup while servicing. Death or serious injury could occur.

- Disconnect negative cable before servicing.
- Keep cable away from terminal while servicing.

15368-01A

3

THIS GUARD MAY PROVIDE LIMITED LEG AND COSMETIC VEHICLE PROTECTION UNDER UNIQUE CIRCUMSTANCES (FALL OVER WHILE STOPPED, VERY LOW SPEED SLIDE). IT IS NOT MADE NOR INTENDED TO PROVIDE PROTECTION FROM BODILY INJURY IN A COLLISION WITH ANOTHER VEHICLE OR ANY OTHER OBJECT.

4

⚠ WARNING

Too much weight in Trunk can cause loss of control. Death or serious injury could occur.

- Do not put more than 50 pounds in Trunk.
- See Accessories and Cargo section of Owner's Manual for more information.

83448-09

5

⚠ WARNING

Too much weight in Tour-Pak® can cause loss of control. Death or serious injury could occur.

- Do not put more than 25 pounds (11.3 kg) in Tour-Pak® on 2008 & earlier motorcycles.
- Do not put more than 30 pounds (13.63 kg) in Tour-Pak® on 2009 & later motorcycles.
- See Accessories and Cargo section of Owner's Manual for more information.

10311-74C

6

TIRE AND LOADING INFORMATION
RENSEIGNEMENTS SUR LES PNEUS ET LE CHARGEMENT

SEATING CAPACITY NOMBRE DE PLACES	TOTAL 2	FRONT AVANT 1	REAR ARRIERE 1
--------------------------------------	---------	------------------	-------------------

The combined weight of occupants and cargo should never exceed 771 kg or 1700 lbs.
Le poids total des occupants et du chargement ne doit jamais dépasser 771 kg ou 1700 lbs.

TIRE PNEU	SIZE DIMENSIONS	COLD TIRE PRESSURE PRESSION DES PNEUS A FROID	SEE OWNER'S MANUAL FOR ADDITIONAL INFORMATION
FRONT AVANT	MT90B16	246 kPa, 36 psi	VOIR LE MANUEL DE L'USAGER POUR PLUS DE RENSEIGNEMENTS
REAR ARRIERE	P205/65R15	179 kPa, 26 psi	
SPARE DE SECOURS	NOT APPLICABLE SANS OBJET	NOT APPLICABLE SANS OBJET	

83363-10

7

TIRE AND LOADING INFORMATION
RENSEIGNEMENTS SUR LES PNEUS ET LE CHARGEMENT

SEATING CAPACITY NOMBRE DE PLACES	TOTAL 2	FRONT AVANT 1	REAR ARRIERE 1
--------------------------------------	---------	------------------	-------------------

The combined weight of occupants and cargo should never exceed 771 kg or 1700 lbs.
Le poids total des occupants et du chargement ne doit jamais dépasser 771 kg ou 1700 lbs.

TIRE PNEU	SIZE DIMENSIONS	COLD TIRE PRESSURE PRESSION DES PNEUS A FROID	SEE OWNER'S MANUAL FOR ADDITIONAL INFORMATION
FRONT AVANT	130/80B16	246 kPa, 36 psi	VOIR LE MANUEL DE L'USAGER POUR PLUS DE RENSEIGNEMENTS
REAR ARRIERE	P205/65R15	179 kPa, 26 psi	
SPARE DE SECOURS	NOT APPLICABLE SANS OBJET	NOT APPLICABLE SANS OBJET	

14000761

Figure 1. Labels



Table 4. Labels

ITEM	PART NO.	DESCRIPTION	LOCATION	TEXT
1	29108-08	General warnings	Top of air cleaner cover	<p>WARNING: Three wheeled motorcycles are different from two wheeled motorcycles and other vehicles. They operate, steer, handle and brake differently. Unskilled or improper use could result in loss of control, death or serious injury.</p> <ul style="list-style-type: none"> • Take a rider training course. • Read Owner's Manual before riding, adding accessories or servicing. • Wear a helmet, eye protection and protective clothing. • Never tow a trailer. <p>For a manual, find nearest dealer at 1-414-343-4056 or www.harley-davidson.com</p>
2	15368-01A	Battery warning	Under seat, behind fuel tank on main harness trough	<p>WARNING: A connected battery can cause a spark or motorcycle startup while servicing. Death or serious injury could occur.</p> <ul style="list-style-type: none"> • Disconnect negative cable before servicing. • Keep cable away from terminal while servicing.
3	14148-86	Engine guard label (FLHTCUTG)	On front of engine guard below center mount	<p>This guard may provide limited leg and cosmetic vehicle protection under unique circumstances (fall over while stopped, very low speed slide). It is not made nor intended to provide protection from bodily injury in a collision with another vehicle or any other object.</p>

Table 4. Labels

ITEM	PART NO.	DESCRIPTION	LOCATION	TEXT
4	83446-09	Trunk load limits	Inside trunk door	<p>WARNING: Too much weight in Trunk can cause loss of control. Death or serious injury could occur.</p> <ul style="list-style-type: none">• Do not put more than 50 pounds in Trunk.• See Accessories and Cargo section of Owner's Manual for more information.
5	90821-74C	Tour-Pak load limits (FLHTCUTG)	Inside Tour-Pak lid	<p>WARNING: Too much weight in Tour-Pak® can cause loss of control. Death or serious injury could occur.</p> <ul style="list-style-type: none">• Do not put more than 25 pounds (11.3 kg) in Tour-Pak® on 2008 and earlier motorcycles.• Do not put more than 30 pounds (13.6 kg) in Tour-Pak® on 2009 and later motorcycles.• See Accessories and Cargo section of Owner's Manual for more information.

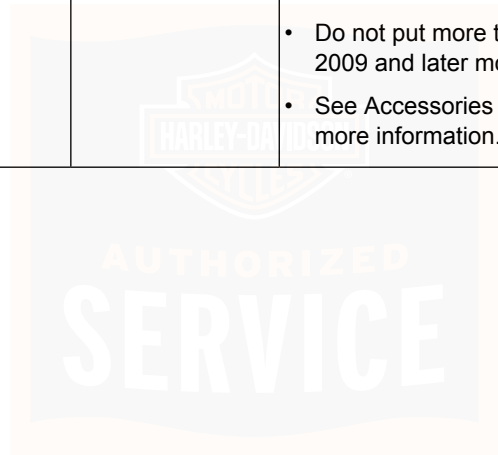


Table 4. Labels

ITEM	PART NO.	DESCRIPTION	LOCATION	TEXT
6	83563-10	Tire label (FLHTCUTG)	Under right side cover	TIRE AND LOADING INFORMATION SEATING CAPACITY, TOTAL 2, FRONT 1, REAR 1 The combined weight of occupants and cargo should never exceed weight specifications. See SPECIFICATIONS for tire data and maximum weight allowed.
7	14000781	Tire label (FLRT)	Under right side cover	TIRE AND LOADING INFORMATION SEATING CAPACITY, TOTAL 2, FRONT 1, REAR 1 The combined weight of occupants and cargo should never exceed weight specifications. See SPECIFICATIONS for tire data and maximum weight allowed.



VEHICLE IDENTIFICATION NUMBER (VIN)

General

See Figure 3. A unique 17-digit serial or Vehicle Identification Number (VIN) is assigned to each motorcycle. For a description of each item in the VIN, refer to Table 5.

Location

See Figure 2. The full 17-digit VIN (1) is stamped on the right side of the frame near the steering head. In some destinations, a printed VIN label (2) is also attached to the front downtube.

Abbreviated VIN

An abbreviated VIN showing the vehicle model, engine type, model year, and sequential number is stamped on the left side of the crankcase between the engine cylinders.

NOTE

Always give the full 17-digit vehicle identification number when ordering parts or making any inquiry about the motorcycle.

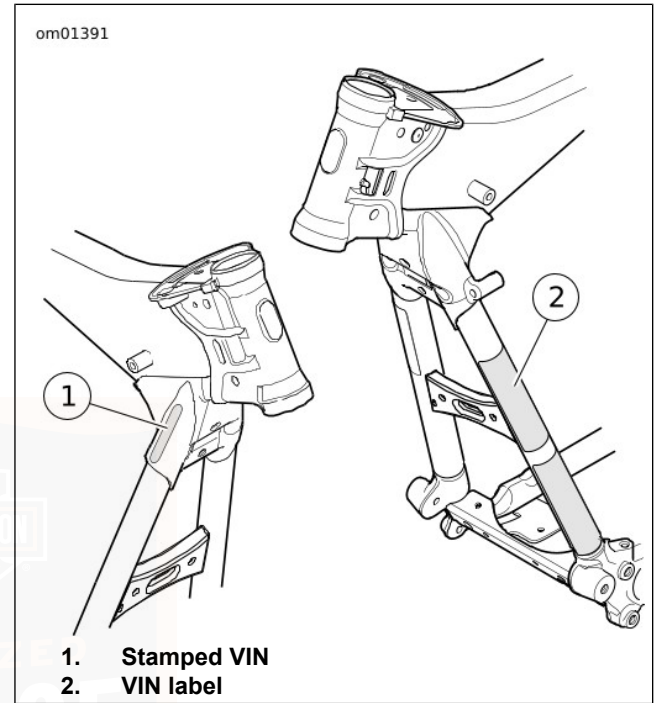


Figure 2. VIN Locations

om01283j

① ② ③ ④ ⑤ ⑥ ⑦ ⑧ ⑨
1HD 1 MA D 1 3 H B 111000

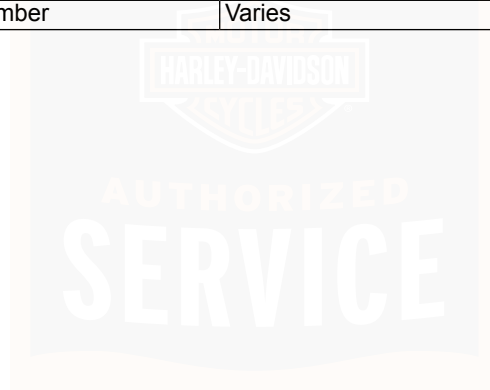
Figure 3. Typical Harley-Davidson VIN: 2017 Trike Models

Table 5. Harley-Davidson VIN Breakdown: 2017 Trike Models

POSITION	DESCRIPTION	POSSIBLE VALUES
1	World manufacturer identifier	1HD=Originally manufactured in the United States 5HD=Originally manufactured in the United States for sale outside of the United States 932=Originally manufactured in Brazil MEG=Originally manufactured in India
2	Motorcycle type	1=Heavyweight motorcycle (901 cm ³ or larger)
3	Model	MA=FLHTCUTG Tri Glide® Ultra MC=FLRT Freewheeler
4	Engine type	C=Milwaukee-Eight™ 107 Engine, 1753 cm ³ D=Twin-Cooled™ Milwaukee-Eight™ 107 Engine, 1753 cm ³

Table 5. Harley-Davidson VIN Breakdown: 2017 Trike Models

POSITION	DESCRIPTION	POSSIBLE VALUES	
5	Calibration/configuration, introduction	Normal Introduction 1=Domestic (DOM) 3=California (CAL) A=Canada (CAN) C=HDI E=Japan (JPN) G=Australia (AUS) J=Brazil (BRZ) L=Asia Pacific (APC) N=India (IND)	Mid-year or Special Introduction 2, 4=Domestic (DOM) 5, 6=California (CAL) B=Canada (CAN) D=HDI F=Japan (JPN) H=Australia (AUS) K=Brazil (BRZ) M=Asia Pacific (APC) P=India (IND)
6	VIN check digit	Can be 0-9 or X	
7	Model year	H=2017	
8	Assembly plant	B=York, PA U.S.A.	
9	Sequential number	Varies	



NOTES



SPECIFICATIONS

Table 6. Engine: Milwaukee-Eight™ 107 Engine

ITEM	SPECIFICATION	
Number of cylinders	2	
Type	4-cycle, 45 degree V-Type, air-cooled Single camshaft Single balance shaft	
Compression ratio	10.0:1	
Bore	3.937 in	100 mm
Stroke	4.375 in	111.1 mm
Displacement	107 in ³	1746 cm ³
Fuel requirement	Premium unleaded	
Lubrication system	Pressurized, dry sump with oil cooler*	
* Fan cooled on some models.		

Table 7. Engine: Twin-Cooled™ Milwaukee-Eight™ 107 Engine

ITEM	SPECIFICATION	
Number of cylinders	2	
Type	4-cycle, 45 degree V-Type, Twin-Cooled Single camshaft Single balance shaft	
Compression ratio	10.0:1	
Bore	3.937 in	100 mm
Stroke	4.375 in	111.1 mm
Displacement	107 in ³	1745 cm ³
Fuel requirement	Premium unleaded	
Lubrication system	Pressurized, dry sump	
Cooling system	Liquid-cooled cylinder heads with lower fairing-mounted radiators and electric pump	

NOTE

Specifications in this publication may not match those of official certification in some markets due to timing of publication printing, variance in testing methods, and/or vehicle differences. Customers seeking officially recognized regulatory specifications for their vehicle should refer to certification documents, contact their respective dealer or distributor or visit www.h-d.com.

Table 8. Transmission

ITEM	SPECIFICATION
Type	Constant mesh, foot shift
Speeds	6 forward

Table 9. Electrical

ITEM	SPECIFICATION	
Ignition timing	Not adjustable	
Battery	12 V, 28 Ah, 405 CCA sealed and maintenance free	
Charging system	46-50 A maximum output	
Spark plug size	10 mm	
Spark plug gap	0.031-0.035 in	0.80-0.90 mm
Spark plug torque	84-108 in-lbs	9.5-12.2 Nm

Table 10. Sprocket Teeth

DRIVE	ITEM	NUMBER OF TEETH
Primary	Engine	34
	Clutch	46
Final	Transmission	30
	Rear wheel	70

Table 11. Overall Drive Ratios

GEAR	RATIO
First gear	10.534
Second gear	7.302

Table 11. Overall Drive Ratios

GEAR	RATIO
Third gear	5.423
Fourth gear	4.392
Fifth gear	3.741
Sixth gear	3.157

Table 12. Capacities

ITEM	U.S.	METRIC
Fuel tank (total)	6.0 gal	22.7 L
Low fuel warning light on (approximate)	1.0 gal	3.8 L
Engine oil capacity with filter *		
Twin-cooled (new system)	5.0 qt	4.7 L
Air-cooled (new system)	5.2 qt	4.9 L
Service oil change (all)	4.75 qt	4.5 L
Transmission ** (approximate)	32 oz	0.95 L
Primary chaincase (dry fill; approximate) ***	34 oz	1.0 L

Table 12. Capacities

ITEM	U.S.	METRIC
Coolant, Twin-cooled models (approximate)	0.8 qt	0.8 L
* When refilling, initially add 3.8 L (4.0 qt). Add more as needed to bring level within specification. ** When refilling, initially add 0.83 L (28 fl oz) Add more as needed to bring level within specification. *** Amount is approximate. Fill to bottom of pressure plate OD with vehicle upright.		

⚠ WARNING

Do not exceed the motorcycle's Gross Vehicle Weight Rating (GVWR) or Gross Axle Weight Rating (GAWR). Exceeding these weight ratings can lead to component failure and adversely affect stability, handling and performance, which could result in death or serious injury. (00016f)

- GVWR is the sum of the weight of the motorcycle, accessories and the maximum weight of the rider, passenger and cargo that can be safely carried.
- GAWR is the maximum amount of weight that can be safely carried on each axle.
- The GVWR and GAWR are shown on the information label on the frame downtube.

NOTE

The maximum additional weight allowed on the motorcycle equals the Gross Vehicle Weight Rating (GVWR) minus the running weight. For example, a motorcycle with GVWR of 544 kg (1,200 lb) having a running weight of 363 kg (800 lb), would allow a maximum of an additional 181 kg (400 lb) combined weight of the rider, passenger, riding gear, cargo and installed accessories.

Table 13. Weights

ITEM	FLHTCUTG				FLRT					
	DOM		HDI		DOM		HDI		JPN	
	lb	kg	lb	kg	lb	kg	lb	kg	lb	kg
Running weight *	1215	551	1243	564	1082	491	1118	507	1092	496
Maximum added weight allowed **	485	220	457	207	618	290	582	264	618	290
GVWR ***	1700	771	1700	771	1700	771	1700	771	1700	771

Table 13. Weights

ITEM	FLHTCUTG				FLRT					
	DOM		HDI		DOM		HDI		JPN	
	lb	kg	lb	kg	lb	kg	lb	kg	lb	kg
GAWR front	511	232	511	232	511	232	511	232	511	232
GAWR rear	1189	539	1189	539	1189	539	1189	539	1189	539

* The total weight of the motorcycle as delivered with all oil/fluids and approximately 90% of fuel.
 ** The total weight of accessories, cargo, riding gear, passenger and rider must not exceed this weight.
 *** European Union only: A minimum of 30% loading on front axle is required by EU 44/2014. This may limit the load capacity of the Tour-Pak and trunk depending on rider and passenger weights.

Table 14. Dimensions

ITEM	FLHTCUTG		FLRT			
			DOM		HDI / JPN	
	in	mm	in	mm	in	mm
Length	105.1	2670	103.3	2625	103	2615
Overall width	54.7	1390	55.2	1401	55.3	1405
Overall height *	56.3	1430	45.5	1155	45.3	1150
Wheelbase	65.7	1670	65.7	1670	65.7	1670
Ground clearance	4.5	115	5.0	127	5.0	127
Saddle height **	27.1	688	26.2	665	26.2	665

* To top of mirrors.
 ** With 81.7 kg (180 lb) rider on seat.

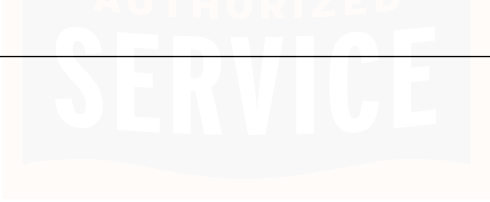


Table 15. Specified Tires

MODEL	MOUNT	SIZE	SPECIFIED TIRE	PRESSURE (COLD 20 °C (68 °F)) *	
				psi	kPa
FLHTCUTG	Front	16 in	Dunlop D402F MT90B16 M/C 72H	36	248
FLRT	Front	19 in	Dunlop D408F 130/60B19 M/C 61H	36	248
FLHTCUTG, FLRT	Rear	15 in	Dunlop P205/65 R15 92T	26	179

* Tire pressure will vary with changes in ambient and tire temperature. Check pressure with tires cold (20 °C (68 °F)). Increase tire pressure by 6.9 kPa (1 psi) for every 5 °C (10 °F) in ambient air temperature above this point.

TIRE DATA

⚠ WARNING

Match tires, tubes, rim strips or seals, air valves and caps to the correct wheel. Contact a Harley-Davidson dealer. Mismatching can lead to tire damage, allow tire slippage on the wheel or cause tire failure, which could result in death or serious injury. (00023c)

⚠ WARNING

Only install original equipment tire valves and valve caps. A valve, or valve and cap combination, that is too long or too heavy can strike adjacent components and damage the valve, causing rapid tire deflation. Rapid tire deflation can cause loss of vehicle control, which could result in death or serious injury. (00281a)

⚠ WARNING

Harley-Davidson recommends the use of its specified tires. Harley-Davidson vehicles are not designed for operation with non-specified tires, including snow, moped and other special-use tires. Use of non-specified tires can adversely affect stability, handling or braking and lead to loss of vehicle control, which could result in death or serious injury. (00024d)

Refer to Table 15 for specified tires and recommended pressures.

Tubeless tires are used on all Harley-Davidson cast and disc wheels.

▲ WARNING

Harley-Davidson front and rear tires are not the same. Interchanging front and rear tires can cause tire failure, which could result in death or serious injury. (00026a)

▲ WARNING

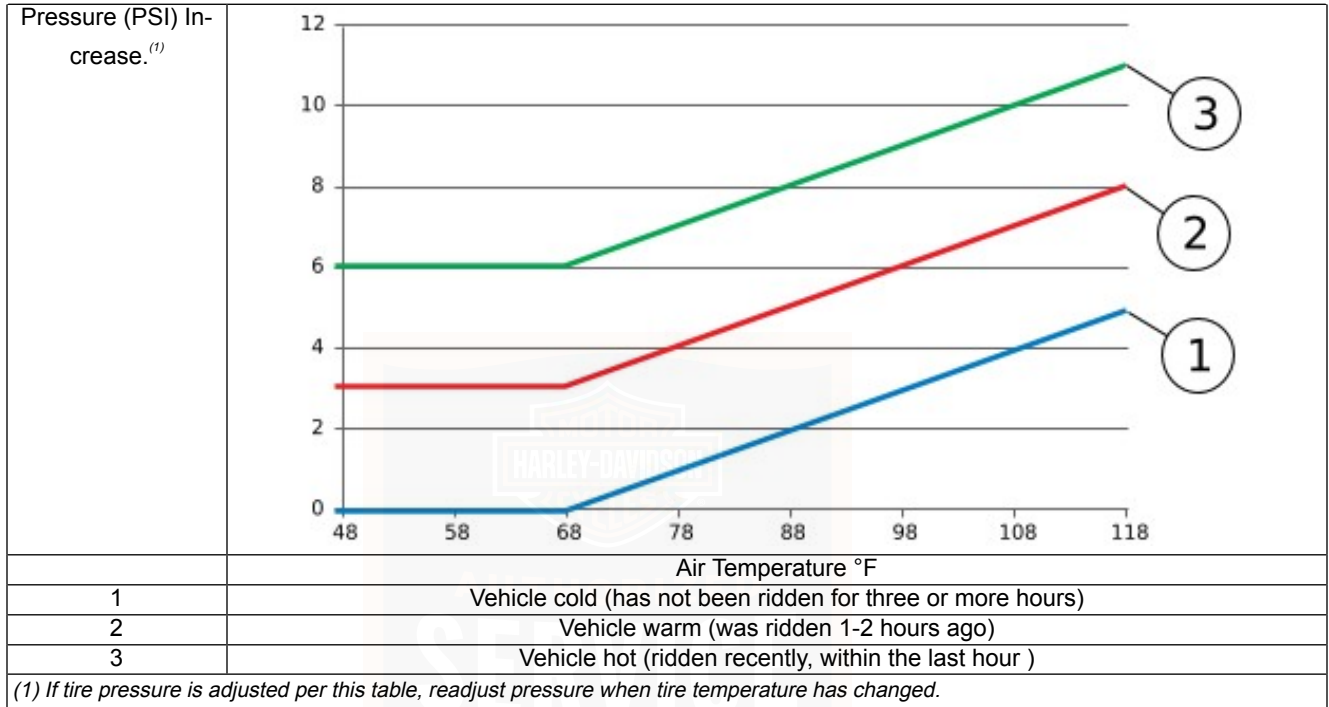
Be sure tires are properly inflated, balanced, undamaged, and have adequate tread. Inspect your tires regularly and see a Harley-Davidson dealer for replacements. Riding with excessively worn, unbalanced, improperly inflated, overloaded or damaged tires can lead to tire failure and adversely affect stability and handling, which could result in death or serious injury. (00014b)

Always maintain proper tire pressure as specified in Table 15. Refer to Table 16 for temperature-related corrections. Do not load tires beyond the GAWR specified in Table 13. Under-inflated, over-inflated or overloaded tires can fail.

If tire pressure is to be checked when the vehicle has been recently ridden and the tires are warm, refer to Table 16 to determine corrected pressures. If warm tire pressure is adjusted per Table 16, readjust per cold tire recommendation at the earliest convenience.



Table 16. Tire Pressure Adjustment



Harley-Davidson does not perform any testing with 100 percent nitrogen in tires. Harley-Davidson neither recommends nor discourages the use of pure nitrogen to inflate tires.

⚠ WARNING

Do not use liquid tire balancers or sealants in aluminum wheels. Using liquid tire balancers or sealants can cause rapid corrosion of the rim surface, which could cause tire deflation. Tire deflation can cause loss of vehicle control, which could result in death or serious injury. (00631b)

⚠ WARNING

Replace tire immediately with a Harley-Davidson specified tire when wear bars become visible or only 1 mm (1/32 in) tread depth remains. Riding with a worn tire could result in death or serious injury. (00090c)

Harley-Davidson tires have wear bars that run horizontally across the tread. When a tire is worn to the point the tread wear indicator bars become visible on the tread surfaces, or 0.8 mm (1/32 in) tread depth remains, the tires can:

- Be more easily damaged leading to tire failure
- Provide reduced traction
- Adversely affect stability and handling

India Tire Compliance Statement: Harley-Davidson Motor Company declares that the tires listed in the specifications section (India Only) meet the Indian Standard 15627 requirement of the Bureau of Indian Standards (as amended from time to time) required for registration of vehicles assembled/manufactured in India. These tires also comply with the Central Motor Vehicle Rules requirements, 1989.

FUEL

Always use a good quality unleaded gasoline. Octane ratings are usually found on the pump. Refer to Table 17.

⚠ WARNING

Avoid spills. Slowly open fuel filler cap. Do not fill above bottom of filler neck insert, leaving air space for fuel expansion. Secure filler cap after refueling. Gasoline is extremely flammable and highly explosive, which could result in death or serious injury. (00028b)

⚠ WARNING

Use care when refueling. Pressurized air in fuel tank can force gasoline to escape through filler tube. Gasoline is extremely flammable and highly explosive, which could result in death or serious injury. (00029a)

Modern service station pumps dispense a high flow of gasoline into a motorcycle fuel tank. This can cause air entrapment and pressurization.

Table 17. Octane Rating

SPECIFICATION	RATING
Pump Octane (R+M)/2	91 (95 RON)

GASOLINE BLENDS

Your motorcycle was designed to get the best performance and efficiency using unleaded gasoline. Most gasoline is blended with alcohol and/or ether to create oxygenated blends. The type and amount of alcohol or ether added to the fuel is important.

NOTICE

Do not use gasoline that contains methanol. Doing so can result in fuel system component failure, engine damage and/or equipment malfunction. (00148a)

- Gasoline/METHYL TERTIARY BUTYL ETHER (MTBE) blends are a mixture of gasoline and as much as 15 percent MTBE. Gasoline/MTBE blends use in your motorcycle is approved.

- ETHANOL fuel is a mixture of ethanol (grain alcohol) and unleaded gasoline and can have an impact on fuel mileage. Fuels with an ethanol content of up to 10 percent may be used in your motorcycle without affecting vehicle performance. U.S. EPA regulations currently indicate that fuels with 15 percent ethanol (E15) are restricted from use in motorcycles at the time of this publication. Some motorcycles are calibrated to operate with higher ethanol concentrations to meet the fuel standards in certain countries.
- REFORMULATED OR OXYGENATED GASOLINES (RFG) describes gasoline blends that are specifically designed to burn cleaner than other types of gasoline. This results in fewer tailpipe emissions. They are also formulated to evaporate less when filling the tank. Reformulated gasolines use additives to oxygenate the gas. Your motorcycle will run normally using this type of fuel. Harley-Davidson recommends using it whenever possible as an aid to cleaner air in our environment.
- Do not use racing fuel or fuel containing methanol. Use of these fuels will damage the fuel system.
- Using fuel additives other than those approved for use by Harley-Davidson may damage the engine, fuel system and other components.

Some gasoline blends might adversely affect starting, driveability or fuel efficiency. If any of these problems are

experienced, try a different brand of gasoline or gasoline with a higher octane blend.

CATALYTIC CONVERTER

The motorcycle has a catalytic converter in the exhaust pipe collector.

NOTICE

Do not operate catalytic converter-equipped vehicle with engine misfire. If you operate the vehicle under this condition, the exhaust will become abnormally hot, which can cause vehicle damage, including emission control loss. (00149c)

NOTICE

Use only unleaded fuel in catalytic converter-equipped motorcycles. Using leaded fuel will damage the emission control system. (00150c)



GENERAL: CONTROLS AND INDICATORS

⚠ WARNING

Identify and understand the specific features of your vehicle. Failure to understand how these features affect the vehicle's operation can lead to an accident, which could result in death or serious injury. (00043b)

Some features explained are unique to certain models. These features may be available as accessories for your Harley-Davidson motorcycle. See a Harley-Davidson dealer for a complete list of accessories that will fit your specific motorcycle.

IGNITION SWITCH

⚠ WARNING

The automatic-on headlamp feature provides increased visibility of the rider to other motorists. Be sure headlamp is on at all times. Poor visibility of rider to other motorists can result in death or serious injury. (00030b)

See YOUR OWNER'S MANUAL section. Be sure to record all your key numbers in the space provided at the front of this book.

See Figure 4. The ignition switch controls electrical functions of the motorcycle.

⚠ WARNING

Do not operate vehicle with forks locked. Locking the forks restricts the vehicle's turning ability, which could result in death or serious injury. (00035a)

NOTICE

Protect your vehicle against theft. Failure to lock the motorcycle after parking could result in theft and/or equipment damage. (00151b)

NOTICE

Do not lubricate barrel locks with petroleum based lubricants or graphite. Inoperative locks may result. (00152a)

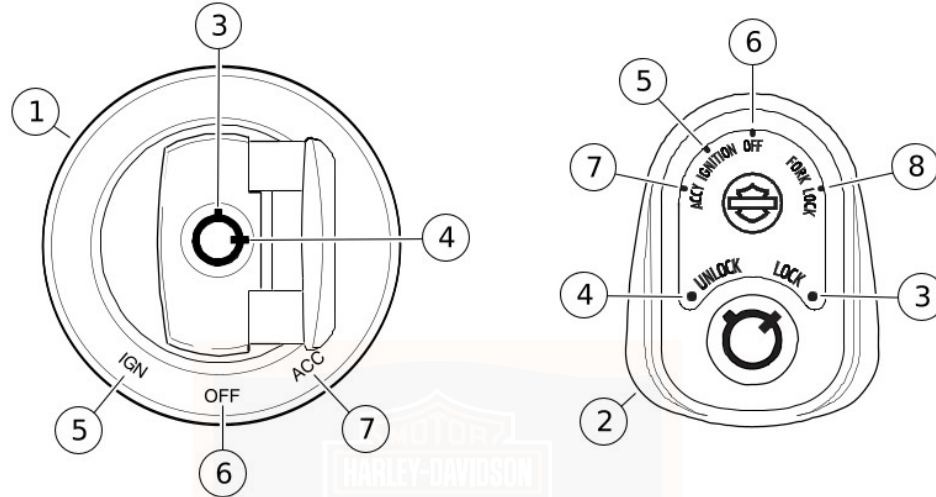
NOTE

- *Harley-Davidson recommends removing key from ignition/fork lock before operating motorcycle. If you do not remove key, it can fall out during operation.*
- *ACCESSORY - Accessories and hazard warning flasher can be turned on. Instrument lamps are on. Brake lamp and horn can be activated. Key may be removed.*
- *The lamps illuminate when the switch is in the IGNITION position, as required by law in some localities.*

Table 18. Ignition Switch Positions

MODEL	FUNCTION	LABEL	OPERATION
FLRT	Switch		Switch is locked or unlocked by lifting switch cover, inserting key and turning key counterclockwise to lock, clockwise to unlock. Key can be removed in any position.
		OFF	Ignition, lamps and accessories are off.
		ACCESSORY	Accessories are on. Hazard warning flashers can be left on. Instrument lamps are on. Brake lamp and horn can be activated.
		IGNITION	Ignition, lamps and accessories are on.
FLHTCUTG	Key Lock	LOCK	Locks the switch in either the FORK LOCK or ACCESSORY position. Remove the key for security.
		UNLOCK	Unlocks the switch. Unlocked, the switch can be rotated to any of the 4 positions. To prevent loss when riding, remove the key.
	Switch	FORK LOCK	Locks fork in left position to discourage unauthorized use of vehicle when parked. See CONTROLS AND INDICATORS > FORK LOCK (Page 36) for operation.
		OFF	When switch is in OFF position, the ignition, lamps and accessories are off.
		IGNITION	When the switch is in the IGNITION position, the motorcycle can be started and all lamps and accessories will operate.
		ACCESSORY	When the switch is in the ACCESSORY position, the instrument lamps and accessories will operate but the engine cannot be started. Brake lamp and horn can be activated. In ACCESSORY, the switch can be locked.





1. Ignition switch (FLRT, cover lifted)
2. Ignition switch (FLHTCUTG)
3. Lock
4. Unlock

5. Ignition (IGN)
6. Off
7. Accessory (ACC/ACCY)
8. Fork lock

Figure 4. Ignition Switch (Shown in OFF position)

FORK LOCK

NOTICE

Protect your vehicle against theft. Failure to lock the motorcycle after parking could result in theft and/or equipment damage. (00151b)

Using the fork lock immediately after parking your motorcycle will discourage unauthorized use or theft.

FLHTCUTG: See Figure 4. The fork lock is integrated into the ignition switch.

FLRT: See Figure 5. The fork lock is at the top of the steering head, behind the headlamp nacelle and inset in the handlebar clamp shroud.

NOTE

Do not force the switch into the locked position or switch damage can occur.

⚠ WARNING

Do not operate vehicle with forks locked. Locking the forks restricts the vehicle's turning ability, which could result in death or serious injury. (00035a)

FLHTCUTG:

1. Turn fork to full left position.
2. See Figure 4. Turn switch knob to FORK LOCK. Push knob down.
3. Insert key and turn key to LOCK position. Remove key.
4. To unlock fork, insert key and turn to UNLOCK position. Remove key. Rotate switch knob out from the FORK LOCK position.
5. Check steering for proper operation by turning the handlebars through the full operating range. Handlebars should turn smoothly without binding.

FLRT:

1. Turn fork to full left position.
2. See Figure 5. Insert key and turn key counterclockwise to LOCK position. Remove key.
3. To unlock fork, insert key and turn clockwise to UNLOCK position. Remove key.
4. Check steering for proper operation by turning the handlebars through the full operating range. Handlebars should turn smoothly without binding.

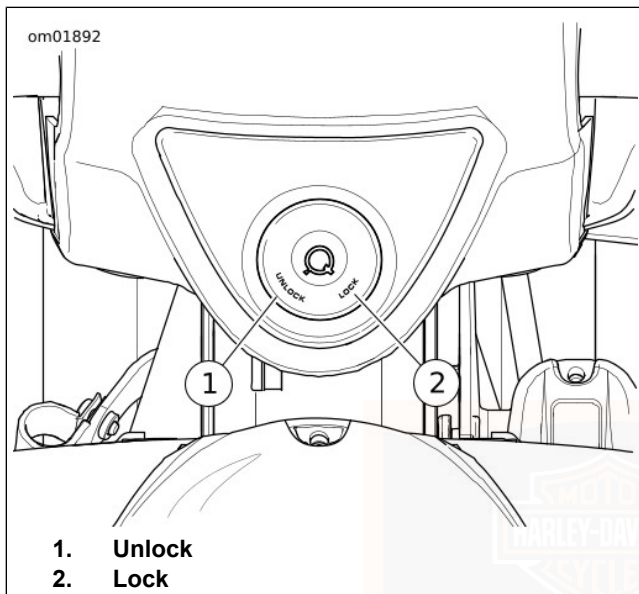


Figure 5. Fork Lock: FLRT

INSTRUMENTS

Speedometer

⚠ WARNING

Travel at speeds appropriate for road and conditions and never travel faster than posted speed limit. Excessive speed can cause loss of vehicle control, which could result in death or serious injury. (00008a)

See Figure 6 and Figure 7. The speedometer registers vehicle speed in miles per hour (U.S.) or kilometers per hour (international) of forward speed.

Instrument backlighting activates after a slight delay. The backlighting may briefly change when ambient lighting changes (such as going through a tunnel).

Tachometer

NOTICE

See **OPERATING RECOMMENDATIONS** section. Do not operate the engine above maximum safe RPM as shown under **OPERATION** (red zone on tachometer). Lower the RPM by upshifting to a higher gear or reducing the amount of throttle. Failure to lower RPM may cause equipment damage. (00159a)

See Figure 6 and Figure 7. The tachometer measures the engine speed in revolutions per minute (rpm x 100).

Fuel Gauge

The fuel gauge indicates the approximate amount of fuel in the fuel tank.

FLRT: The fuel gauge is on the left side of the fuel tank. See CONTROLS AND INDICATORS > FUEL FILLER CAP (Page 69).

FLHTCUTG: See Figure 6. The fuel gauge is on the instrument panel.

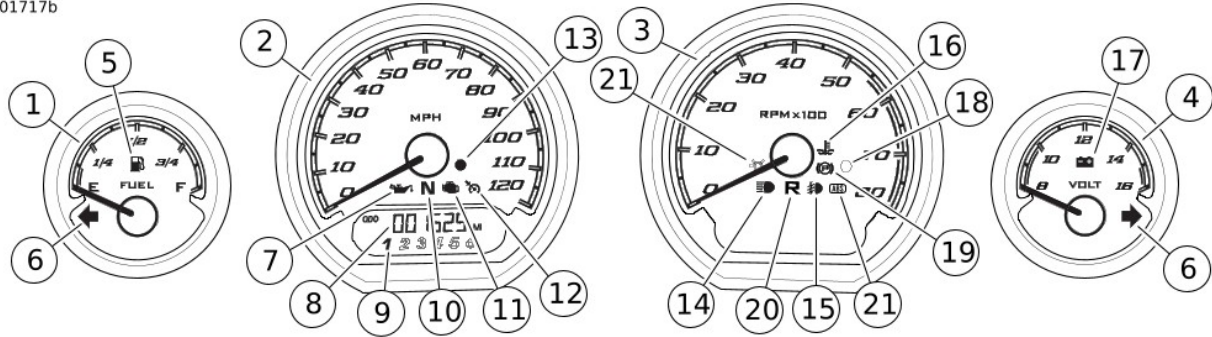
Voltmeter: FLHTCUTG

See Figure 6. The voltmeter indicates electrical system voltage and is on the fairing front panel. With the engine running above 1500 rpm, the voltmeter should register 13.0-14.5 volts with battery at full charge.

Vehicle Information: FLHTCUTG

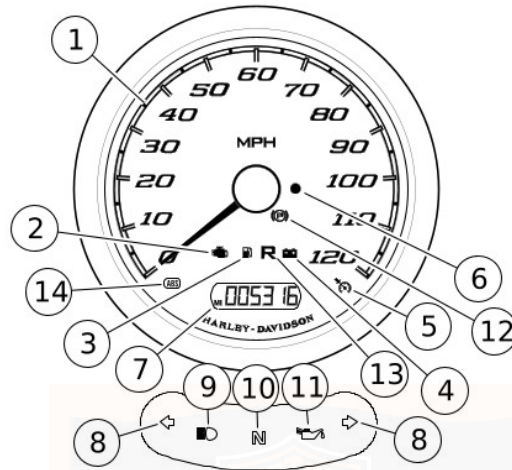
Additional vehicle information can be displayed within the infotainment system by pressing the vehicle information switch. See CONTROLS AND INDICATORS > HAND CONTROLS (Page 49).





- | | |
|-------------------------------|---|
| 1. Fuel gauge | 12. Cruise control lamp |
| 2. Speedometer | 13. Security lamp |
| 3. Tachometer | 14. Headlamp high beam lamp |
| 4. Voltmeter | 15. Auxiliary/fog lamp indicator lamp (Domestic, Japan) |
| 5. Low fuel lamp | 16. Engine coolant temperature lamp |
| 6. Turn signal indicator lamp | 17. Battery discharge lamp |
| 7. Oil pressure lamp | 18. Light sensor (not an indicator) |
| 8. Odometer window | 19. Parking brake lamp |
| 9. Gear indicator | 20. Reverse lamp |
| 10. Neutral lamp | 21. Not used on these models |
| 11. Check engine lamp | |

Figure 6. Instruments: FLHTCUTG



- | | |
|-------------------------------|-------------------------------|
| 1. Speedometer | 8. Turn signal indicator lamp |
| 2. Check engine lamp | 9. Headlamp high beam lamp |
| 3. Low fuel lamp | 10. Neutral lamp |
| 4. Battery discharge lamp | 11. Oil pressure lamp |
| 5. Cruise control lamp | 12. Parking brake lamp |
| 6. Security lamp | 13. Reverse lamp |
| 7. Odometer/tachometer window | 14. Not used on these models |

Figure 7. Instruments: FLRT

INDICATOR LAMPS

NOTE

Some indicator lamps may not be on all models.

Check Engine Lamp

See Figure 6 and Figure 7. The check engine lamp indicates the condition of the engine/engine management system.

The check engine lamp normally comes on when the motorcycle is first turned on. During this time, the engine management system runs a series of self-diagnostics.

If the engine lamp does not turn off after starting the engine or comes on at any other time, see a Harley-Davidson dealer.

Low Fuel Lamp

See Figure 6 and Figure 7. The low fuel warning lamp indicates when the gasoline in the tank reaches the low fuel level (approximate). Refer to Table 12 for the low fuel level. See CONTROLS AND INDICATORS > ODOMETER FUNCTIONS (Page 44) for fuel range features.

Flashing: If the low fuel lamp flashes continuously or remains on after filling the fuel tank, see a Harley-Davidson dealer.

Battery Discharge Lamp

See Figure 6 and Figure 7. The battery discharge lamp indicates overcharging or undercharging of the battery. Refer to MAINTENANCE AND LUBRICATION > BATTERY MAINTENANCE (Page 172).

Security Lamp

See Figure 6 and Figure 7. The security lamp displays the status of the security system and electrical self-diagnostics for the motorcycle. Refer to SECURITY SYSTEM > SECURITY SYSTEM (Page 87) for security system operation.

Flashing: The security system is armed.

Solid (security system armed): The alarm has been activated.

Solid (security system disarmed): If lamp remains on, see a Harley-Davidson dealer.

Turn Signal Indicator Lamps

Flashing: A turn signal is activated. When the 4-way hazard flashers are operating, both turn indicators flash simultaneously.

Rapid flashing: A turn signal bulb is not operating. Exercise caution and use hand signals. Replace inoperative components at earliest opportunity.

Headlamp High Beam Lamp

See Figure 6 and Figure 7. The headlamp high beam lamp is on when the high beam or flash to pass switch is activated.

Neutral Lamp

See Figure 6 and Figure 7. The neutral lamp is on when the transmission is in neutral and reverse is not enabled. The neutral lamp turns off when the reverse lamp turns on.

Cruise Control Lamp

Off: Cruise control is not enabled.

Orange: Cruise control is enabled. Cruising speed is not set or has been disengaged.

Green: Cruising speed is set.

Auxiliary/Fog Lamp Indicator Lamp: FLHTCUTG DOMESTIC

The auxiliary/fog lamp indicator is on when the auxiliary/fog lamps are turned on.

Gear Indicator: FLHTCUTG

See Figure 6. On equipped models, the currently selected gear (1-6) is displayed in the odometer window. The gear indicator is calculated from the vehicle speed and engine

speed. The gear indicator remains blank when the transmission is in neutral, the clutch lever is pulled in or the vehicle is not moving.

The gear indicator may be momentarily inaccurate depending on rider clutch use characteristics and clutch wear. This can occur if the clutch is allowed to slip either due to excessive wear, misadjusted clutch or if the operator rides the clutch.

Reverse Lamp

See Figure 6 and Figure 7. The reverse lamp indicates that reverse is enabled. See OPERATION > REVERSE OPERATION (Page 113) for reverse operation.

Parking Brake Lamp

See Figure 6 and Figure 7. The parking brake indicator lamp turns on when the parking brake is applied. See CONTROLS AND INDICATORS > PARKING BRAKE (Page 66) for parking brake operation.

Engine Coolant Temperature Lamp: FLHTCUTG

NOTICE

If the engine coolant temperature indicator lamp remains lit, always check the coolant level. If the coolant level is normal and the lamp is still lit, stop the engine at once and do not ride further until the trouble is located and the necessary repairs are made. Failure to do so may result in engine damage. (00158a)

⚠ WARNING

Do not loosen or remove pressure cap when cooling system is hot. The cooling system is under pressure and hot coolant and steam can escape from pressure cap, which could cause severe burns. Allow motorcycle to cool before servicing the cooling system. (00091c)

On Twin-Cooled vehicles, the engine coolant temperature lamp is on when the coolant has exceeded threshold temperature.

Check and add coolant as necessary. See MAINTENANCE AND LUBRICATION > COOLING SYSTEM (Page 131). For other possible coolant system issues, see MAINTENANCE AND LUBRICATION > COOLING SYSTEM (Page 131).

If coolant level is sufficient and the lamp remains on, stop the engine immediately and see a Harley-Davidson dealer for service.

Oil Pressure Lamp

NOTICE

If the oil pressure indicator lamp remains lit, always check the oil supply first. If the oil supply is normal and the lamp is still lit, stop the engine at once and do not ride further until the trouble is located and the necessary repairs are made. Failure to do so may result in engine damage. (00157a)

See Figure 6 and Figure 7. The oil pressure lamp turns on when the ignition is turned on. The lamp remains on until the engine is started.

If the lamp is on while the engine is running, sufficient oil is not circulating through the engine.

Check and add engine oil as necessary. See MAINTENANCE AND LUBRICATION > ENGINE OIL LEVEL (Page 119). For other possible causes, see TROUBLESHOOTING > ENGINE (Page 207).

If the engine oil level is sufficient and the lamp remains on, stop the engine immediately and see a Harley-Davidson dealer for service.

ODOMETER FUNCTIONS

NOTICE

Never attempt to tamper with or alter the vehicle odometer. This is illegal. Tampering with or altering a vehicle odometer may cause equipment damage. (00160a)

NOTE

The trigger switch is located on the front of the left hand control. See Figure 11.

Odometer

See Figure 8. The odometer shows the total accumulated mileage for the motorcycle. Press the trigger switch to cycle through different odometer functions. The time (FLRT) and odometer can be displayed while the motorcycle is turned off by pressing the trigger switch.

Changing units (FLRT): With odometer displayed, press and hold the trigger switch until the units change to MI or KM for motorcycles without an audio system. All odometer functions will display the selected units.

Changing units (FLHTCUTG): Change the settings in the radio to ENGLISH UNITS or METRIC. All radio and odometer functions will display the selected units. See BOOM! BOX OWNER'S MANUAL.

Trip Odometers

The two trip odometers (A and B) display the total accumulated mileage since they were last reset. To check, press and release the trigger switch until the desired trip odometer (A or B) is displayed.

Reset: With the desired trip odometer displayed (A or B), press and hold the trigger switch until the selected trip odometer resets to zero.

Fuel Range

The fuel range display shows the approximate mileage available with the amount of fuel left in the fuel tank. The range display is only updated when the vehicle is moving.

Display Fuel Range: With the ignition switch in the ACCESSORY or IGNITION position, press the trigger switch until fuel range is displayed. The fuel range is indicated by the letter "R" in the left side of the display. The calculated remaining distance (miles or kilometers) to empty is displayed, based on the amount of fuel in the tank.

Low Fuel: The fuel range is automatically displayed in the odometer window when the low fuel lamp is on. When the fuel range drops to 10 miles or 10 kilometers remaining, the odometer window displays "LO RNG" to indicate that the motorcycle is nearly out of fuel. Refuel as soon as possible. Refer to Table 12.

Turn Off Automatic Low Fuel Popup: With the fuel range displayed, hold the trigger switch until the fuel range flashes two times. To turn this feature back on, hold the trigger switch until the fuel range flashes once.

Reset: Resetting the low fuel warning lamp and fuel range requires sufficient fuel in the tank and an ignition cycle change (IGNITION-OFF-IGNITION).

Adding at least 7.6 L (2 USgal) of fuel allows the fuel range to update. The fuel range slowly updates over the next 48 km (30 mi) after refueling.

Battery Reconnection and Initialization: If the battery is disconnected and reconnected, the gauge requires approximately a half tank of fuel to initialize fuel range functionality.

Digital Tachometer: FLRT

Press and release the trigger switch until the digital tachometer is displayed. The odometer window briefly displays a "GEAR/RPM" message, then displays the current gear and engine speed (revolutions per minute).

Time: FLRT

See Figure 9. On FLRT models, the time is displayed in the odometer window. Perform the following steps to configure time.

1. Turn the ignition switch to ACCESSORY or IGNITION.
2. Repeatedly press the trigger switch until the time is displayed.
3. **12HR/24HR:** Press and hold the trigger switch until 12HR begins to flash. Press the trigger switch to toggle between 12 hour (12HR) or 24 hour (24HR) clock display.
4. **Hour:** Press and hold the trigger switch until the hour is flashing. Repeatedly press the trigger switch to advance hours to the correct time.
5. **Minutes:** Press and hold the trigger switch until the minutes begin flashing. Repeatedly press the trigger switch to advance minutes to the correct time.
6. **AM/PM:** If 12HR was selected, press and hold the trigger switch until AM/PM begins flashing. Press the trigger switch to toggle between AM or PM.

NOTE

AM or PM will not appear in the regular time display. The motorcycle uses the selection for diagnostic purposes.

7. Press and hold the trigger switch to save time settings.
8. Turn ignition switch OFF.

Tip Indicator

▲ WARNING

If tip occurs, check all controls for proper operation. Restricted control movement can adversely affect the performance of the brakes, clutch or ability to shift, which could result in loss of vehicle control and death or serious injury. (00350a)

See Figure 10. If the motorcycle is tipped over, the word "tip" appears in the odometer window. The engine will not start

until the tip condition is reset. See OPERATION > STARTING AFTER TIPOVER (Page 108) to reset.

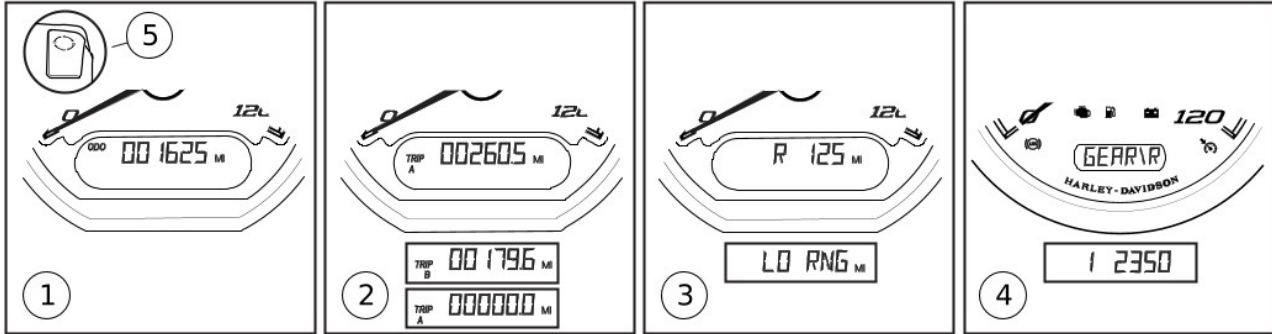
No Fob Message

If the motorcycle has a security system and is driven off leaving the fob behind, 'NO FOB' temporarily displays in the odometer window.

Without the fob, the motorcycle can only be started with a manual PIN entry to disarm the security system. See SECURITY SYSTEM > ARMING AND DISARMING (Page 92).

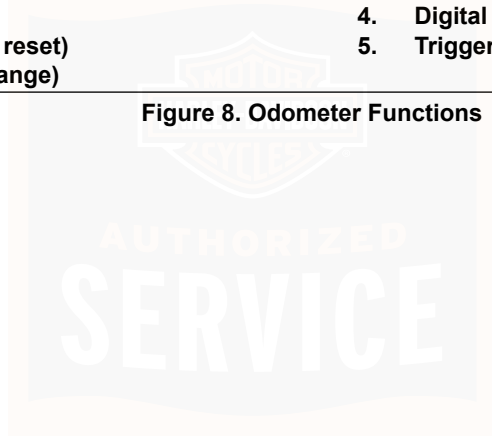


om01680

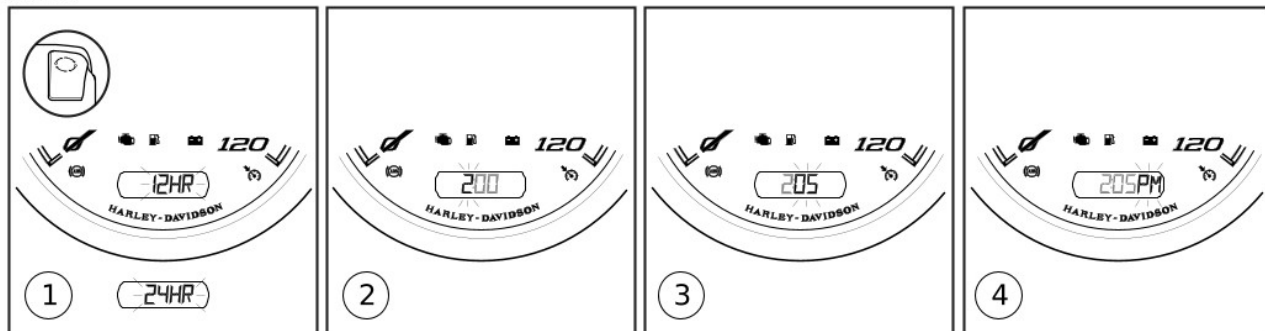


1. Odometer
2. Trip odometers (A, B, reset)
3. Fuel range (low fuel range)
4. Digital tachometer (FLRT)
5. Trigger switch (left hand control)

Figure 8. Odometer Functions



om01681



1. 12-hour/24-hour setting
2. Hours setting

3. Minutes setting
4. AM/PM setting (12-hour mode)

Figure 9. Setting Time: FLRT

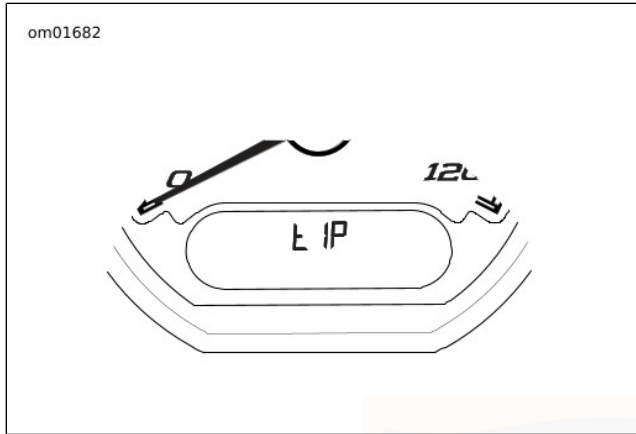


Figure 10. Tip Indicator

HAND CONTROLS

Engine OFF/RUN Switch

See Figure 11. The engine OFF/RUN switch turns the engine power ON or OFF. The switch is located in the right hand controls.

OFF: Press the top of the OFF/RUN switch to turn off the engine. After shutting off the engine, turn the ignition switch OFF to completely turn off the motorcycle.

RUN: Press the bottom of the OFF/RUN switch to turn on ignition power before starting the motorcycle.

Engine Start/Hazard Warning Switch

See Figure 11. The engine start/hazard warning switch is located in the right hand controls.

START: Pressing the bottom of the switch operates the starter motor. See OPERATION > STARTING THE ENGINE (Page 106).

Hazard Warning: Pressing the top of the switch (triangle symbol) operates the four-way flashers. This system allows a stranded motorcycle to be left in the four-way flashing mode and secured until help is found.

1. With the ignition switch in the IGNITION or ACCESSORY position, press the hazard warning switch (triangle) to activate the four-way flashers.
2. Turn ignition switch OFF (with security system fob present). Lock the ignition switch. The four-way flashers continue flashing for two hours or until the rider cancels operation. The security system will arm (on equipped vehicles).
3. To cancel, turn the ignition switch to IGNITION or ACCESSORY (with security system fob present). Press the hazard warning switch (triangle) to cancel the flashers.

Horn Switch

See Figure 11. The horn is operated by pushing the HORN switch located in the left hand controls. The horn can be activated for up to 10 seconds at a time. If the HORN switch is held for a longer period, the horn will automatically deactivate.

Headlamp Dimmer Switch

See Figure 11. The headlamp dimmer switch is located in the left hand controls. The switch has three positions.

High beam: Press the top of the switch to activate the high beam. The high beam indicator shows when the high beam is turned on.

Low beam: Press the lower portion of the switch to activate the low beam.

Flash to pass: Press and hold the bottom of the switch to flash the high beam lamp. When in accessory mode, press the flash to pass switch to activate the headlamp.

Turn Signal Switches

See Figure 11. The turn signal switches are in the left and right hand controls.

Activating: Press and release the left or right turn signal switch to activate the turn signal lamps. The lamps flash until

they are automatically canceled or manually canceled by the rider.

Automatic canceling: The turn signal lamps automatically cancel when a full turn has been detected. The lamps also cancel if the turn signal has been activated for a prolonged period while riding. The lamps will not cancel while the motorcycle remains stopped or at a very low speed.

Manual canceling: To cancel the turn signal, press and release the turn signal switch a second time. To activate the opposite turn signal, press and release the turn signal switch for the new direction. The first turn signal cancels and the opposite turn signal lamps begin flashing.

NOTE

- *If a turn signal indicator flashes rapidly, a turn signal bulb is not operating. Be cautious and use hand signals. Replace inoperative components at earliest opportunity.*
- *Front turn signal lamps also function as running lamps on some vehicles.*

Cruise Control Switch

See Figure 11. The CRUISE/SET/RESUME switch automatically regulates the speed of the vehicle. See CONTROLS AND INDICATORS > CRUISE CONTROL (Page 55) for detailed operation.

CRUISE: Press the CRUISE switch straight in to enable cruise control. The cruise control indicator lights orange. Pressing the CRUISE switch again turns off cruise control.

SET/-: With cruise control enabled, press SET/- to set the cruising speed. The cruise control indicator lights green. While at cruising speed, press SET/- to decrease the regulated speed.

RESUME/+: If cruise control is disengaged (such as a braking event), press RESUME/+ to resume the previous cruising speed. While at cruising speed, press RESUME/+ to increase speed.

Voice Command Switch: FLHTCUTG

See Figure 11. The voice command switch activates the voice recognition features on equipped vehicles. With a headset connected, press the voice command switch. The radio shows a list of available commands. Speak the desired command into the headset microphone. See the BOOM! BOX OWNER'S MANUAL.

Vehicle Information Switch: FLHTCUTG

See Figure 11. On equipped vehicles, press the vehicle information switch to display the following items on the radio screen when the radio is turned on. See the BOOM! BOX OWNER'S MANUAL.

Air Temperature: Displays the measured ambient air temperature.

Engine Oil Pressure: Displays the engine oil pressure as "OK" or "Check Oil". If "Check Oil" displays, immediately stop the engine and check oil level.

EITMS: Displays the status of the Engine Idle Temperature Management System (EITMS). The status may be ACTIVE, ENABLED or DISABLED. See OPERATION > ENGINE IDLE TEMPERATURE MANAGEMENT SYSTEM (Page 109).

HOME/VOLUME/SEEK Switch: FLHTCUTG

See Figure 11. The HOME/VOLUME/SEEK five-way switch operates radio features on equipped vehicles. See the BOOM! BOX OWNER'S MANUAL.

HOME: Press the HOME switch straight in to transition to the HOME screen on the radio.

VOLUME: Press the switch up to increase volume or down to decrease volume.

SEEK: Press the switch to the left or right to seek up/down for a radio station or to select the previous/next media file.

CURSOR/SELECT Switch: FLHTCUTG

See Figure 11. The CURSOR/SELECT five-way switch operates radio features on equipped vehicles. See the BOOM! BOX OWNER'S MANUAL.

SELECT: Press the SELECT switch straight in to select or toggle a feature on the radio screen.

CURSOR: Press the switch in the desired direction to move the cursor or selection on the radio screen.

Trigger Switch

See Figure 11. The trigger switch is on the front of the left hand controls.

Vehicle off: Press the trigger switch display the accumulated mileage in the odometer.

Vehicle in accessory/ignition mode: Press the trigger switch to cycle through the odometer functions. See CONTROLS AND INDICATORS > ODOMETER FUNCTIONS (Page 44).

Front Brake Lever

▲ WARNING

Do not position fingers between hand control lever and handlebar grip. Improper hand positioning can impair control lever operation and cause loss of vehicle control, which could result in death or serious injury. (00032a)

See Figure 11. The front brake lever is on the right handlebar and is operated with the fingers of the right hand. Squeeze the brake lever to actuate the front brakes. See CONTROLS AND INDICATORS > BRAKE SYSTEM (Page 68).

Throttle Control Grip

See Figure 11. The throttle control grip is on the right handlebar and is operated with the right hand.

Decelerate: Slowly turn throttle control grip clockwise (toward front of motorcycle) to close the throttle.

Accelerate: Slowly turn throttle control grip counterclockwise (toward rear of motorcycle) to open the throttle.

SERVICE

Clutch Hand Lever

⚠ WARNING

Do not position fingers between hand control lever and handlebar grip. Improper hand positioning can impair control lever operation and cause loss of vehicle control, which could result in death or serious injury. (00032a)

See Figure 11. The clutch hand lever is on the left handlebar and is operated with the fingers of the left hand.

1. Slowly pull clutch hand lever in against handlebar grip to fully disengage clutch.

2. Shift to first gear using the gear shifter lever. See CONTROLS AND INDICATORS > GEAR SHIFT LEVER (Page 65).
3. Slowly release the clutch hand lever to engage clutch.

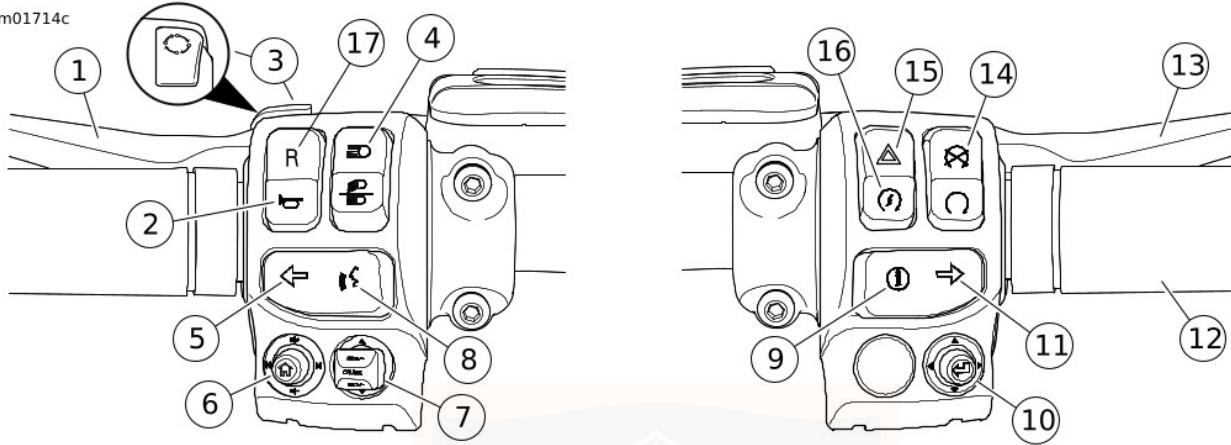
Reverse Control Switches

See Figure 11. The reverse control switch operates the electric reverse motor. The reverse enable indicator is lit when reverse operation is enabled.

See OPERATION > REVERSE OPERATION (Page 113) for detailed operation.



om01714c



1. Clutch hand lever
2. Horn switch
3. Trigger switch
4. Headlamp dimmer switch
5. Left turn signal switch
6. Home/volume/seek switch
7. Cruise control switch
8. Voice command switch
9. Vehicle information switch

9. Vehicle information switch
10. Cursor/select switch
11. Right turn signal switch
12. Throttle control grip
13. Front brake lever
14. Engine off/run switch
15. Hazard warning switch
16. Engine start switch
17. Reverse switch

Figure 11. Hand Controls (typical)

CRUISE CONTROL

⚠ WARNING

Do not use the cruise control system in heavy traffic, on roads with sharp or blind curves or on slippery roads of any kind. Using the cruise control in these circumstances can cause loss of control, which could result in death or serious injury. (00083a)

⚠ WARNING

Travel at speeds appropriate for road and conditions and never travel faster than posted speed limit. Excessive speed can cause loss of vehicle control, which could result in death or serious injury. (00008a)

Turn Cruise On

NOTE

Cruise control operates when:

- *At least 10 seconds have lapsed since the engine was started.*
- *Vehicle speed is between 40–145 km/h (25–90 mph) in second or higher gear.*

See Figure 12. Press the CRUISE switch to turn on cruise (1). When on, the cruise icon in the speedometer face glows amber.

Set Cruise Speed

See Figure 12. When the motorcycle reaches your intended speed, press the SET/- switch down to set the cruise speed (2). The amber cruise icon changes to green.

If necessary, adjust the cruise speed to match the speed limit or traffic conditions:

Increase/Decrease Cruise

Tapping the RES/+ switch up increases speed by 1.6 km/h (1 mph). Holding up the RES/+ switch gradually increases cruise speed.

Tapping the SET/+ switch down decreases speed by 1.6 km/h (1 mph). Holding the switch down gradually decreases cruise speed.

Disengage Cruise

See Figure 12. To drop out of cruise speed, roll the throttle closed through the roll-off switch (3).

Cruise also disengages when the rider:

- Squeezes the front brake lever or presses the rear brake pedal.
- Squeezes the clutch lever.
- Rolls the throttle open more than 16 km/h (10 mph) above the set speed.

Resume Cruise

NOTE

If the current speed is more than 24 km/h (15 mph) below the cruise speed, cruise will not resume.

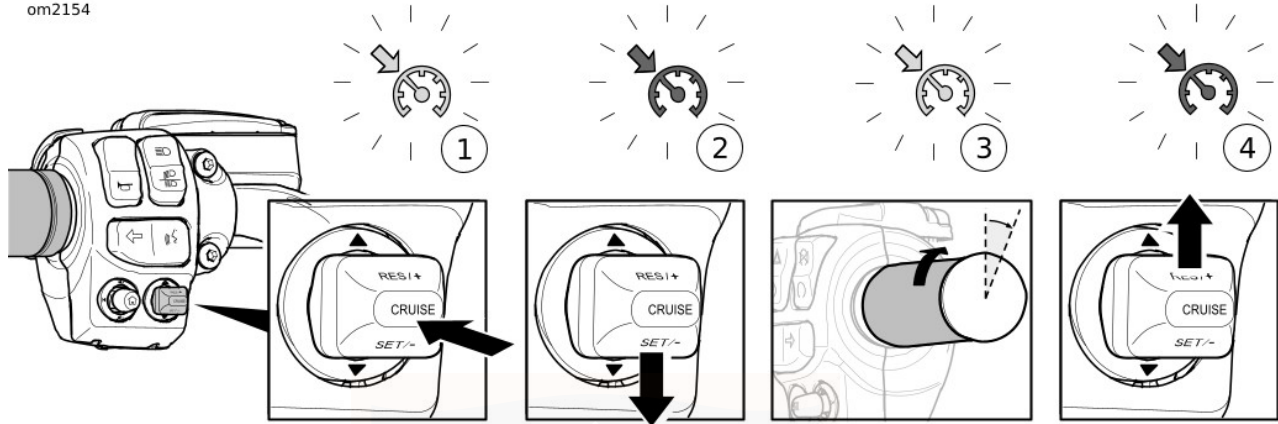
See Figure 12. If cruise has been disengaged yet the cruise indicator is amber, pressing the RES/+ switch up resumes cruise (4). The icon glows green. The motorcycle automatically resumes cruise at the set speed.

Turn Cruise Off

Press the CRUISE switch to turn off cruise control. The cruise icon goes blank.



om2154



1. Cruise on/off (CRUISE) (amber indicator)
2. Set speed (SET/-) (green indicator)

3. Disengage cruise (amber indicator)
4. Resume speed (RES/+) (green indicator)

Figure 12. Cruise Control (typical)

AUTHORIZED
SERVICE

ACCESSORY SWITCH

NOTICE

It is possible to overload the vehicle's charging system by adding too many electrical accessories. If the combined electrical accessories operating at any one time consume more electrical current than the vehicle's charging system can produce, the electrical consumption can discharge the battery and cause damage to the vehicle's electrical system. (00211d)

See Figure 13. A panel for accessory switches is next to the ignition switch in the fairing cap. Switches can be added for installed accessories. The maximum load per switch is 2 amps.

See Figure 14. The accessory connector is located under the left side cover. See a Harley-Davidson dealer or www.harley-davidson.com for electrical accessories that fit your motorcycle.

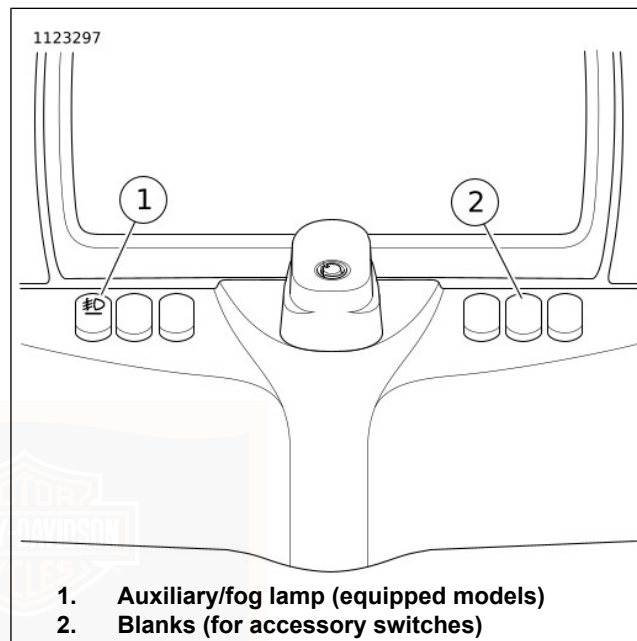


Figure 13. Dash Panel Switches

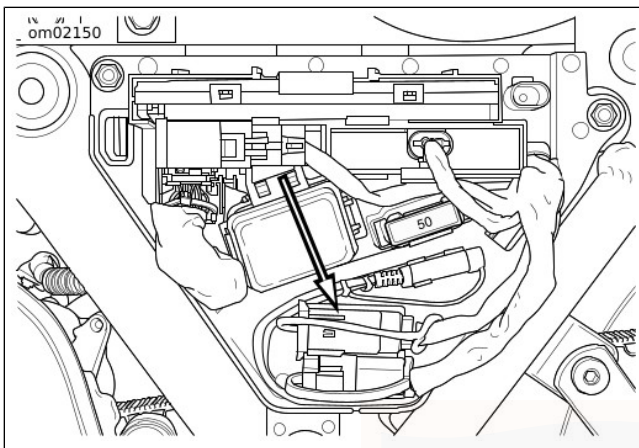


Figure 14. Accessory Connector (under left side cover)

AUXILIARY/FOG LAMPS: FLHTCUTG

The auxiliary/fog lamps provide extra light to the road and surrounding environment in dark or rainy conditions. The lamps also give the motorcycle more visibility to other motorists.

See Figure 13. On models equipped with the auxiliary/fog lamps, the switch is on the left side of the fairing cap.

Domestic/Canada configurations: The auxiliary/fog lamps are configured to turn off when the high beam headlamp is turned on, except as required by state/province.

Auxiliary/fog lamps can be configured to remain on or turn off with high beam operation based on legal requirements for each location. See your Harley-Davidson dealer.

PASSENGER CONTROLS

See Figure 15. Some vehicles have passenger controls on the right side of the Tour-Pak. These controls allow the passenger to operate functions in the infotainment system. See **BOOM! BOX OWNER'S MANUAL** for detailed instructions.

Mode Switch

MODE: Press switch straight in to select the next available audio source.

UP/DN: Press switch up/down to select the previous/next radio station or media file.

Push-To-Talk (PTT)/Volume (VOL) Switch

PTT: Press switch to transmit over CB or intercom.

VOL+/VOL-: Press switch up/down to raise/lower the volume to the passenger headset.

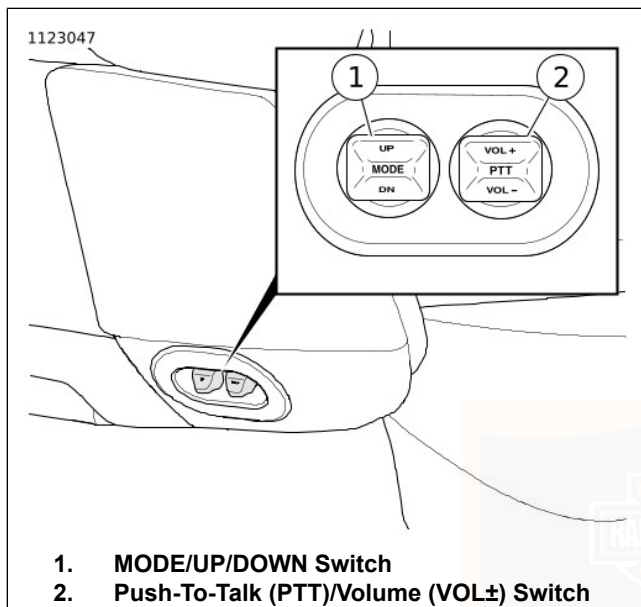


Figure 15. Passenger Controls

BOOM! BOX INFOTAINMENT SYSTEM

⚠ WARNING

Set volume levels and other controls on audio and electronic devices before riding. Distractions can lead to loss of control, resulting in death or serious injury. (00088b)

⚠ WARNING

Do not select a volume level that blocks out traffic noise or interrupts the concentration necessary for safe operation of the motorcycle. Distractions or a volume level that blocks out traffic noise could cause loss of control resulting in death or serious injury. (00539b)

NOTE

- See *BOOM! BOX OWNER'S MANUAL* for a complete description of features and instructions for operation.
- Perform system set-up and get familiar with the controls and features of the infotainment system before operating the motorcycle on the road.
- For additional instruction and information, see an authorized Harley-Davidson dealer and online resources at www.harley-davidson.com/touring.

See Figure 16. Some vehicles have a Boom! Box infotainment system. The system operates while the ignition switch is in

the IGNITION or ACCESSORY position. The following controls are on the radio.

Power/Mute hard key (1): Press and hold to turn the system on/off. Press briefly to mute audio and pause media.

Home screen hard key (2): Press to display the home screen.

Favorites hard key (3): Press to display the saved favorites.

Navigation hard key (4): On equipped models, press this switch to enter GPS navigation (or to display compass on some models).

Hard keys (5): Some systems have hard keys. Press the key to select items on the screen.

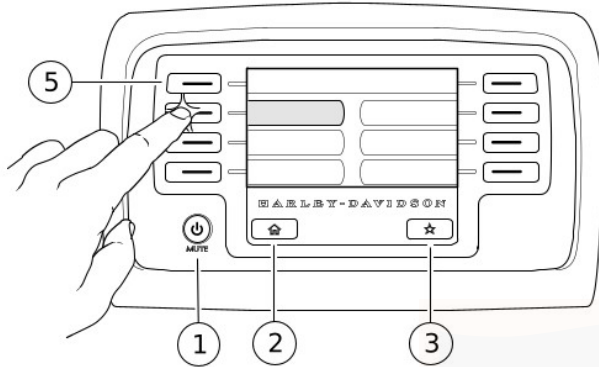
Touchscreen (6): Some systems have a touchscreen. Select items on the screen to operate the infotainment system. The touchscreen can be operated while wearing riding gloves. The touchscreen has a replaceable screen protector which must remain on the screen. Damage to the screen due to use without a screen protector will not be covered under warranty.

Soft keys (7): Some systems have soft keys. Press the corresponding soft key to select items on the touchscreen.

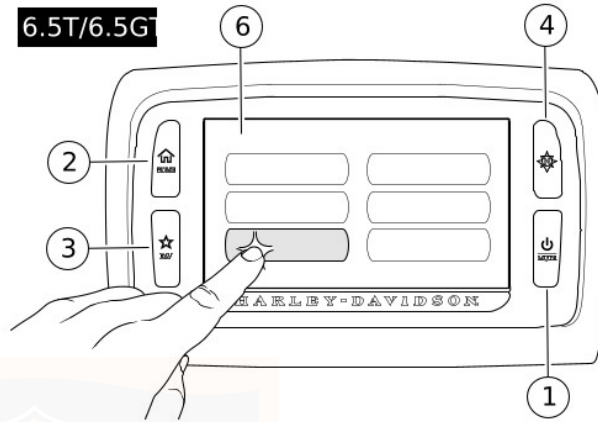


om01741

4.3



6.5T/6.5G^T



1. Power/mute hard key
2. Home screen hard key
3. Favorites hard key
4. Navigation hard key

5. Hard key
6. Touchscreen
7. Soft key

Figure 16. Boom! Box Infotainment System

SERVICE

HEADSET CONNECTION

NOTICE

Do not pull on the cord to remove the headset from the socket. Pull on the headset jack to disconnect the headset from the socket. (00174a)

See Figure 17 and Figure 18. Some vehicles have a rider headset connector on the fuel tank panel and a passenger headset connector on the left speaker pod. The headsets are used to operate the CB, intercom, voice recognition and other features on equipped models.

Use the Harley-Davidson 7-pin DIN headset that is supplied with equipped models or purchased from a Harley-Davidson dealer. Other headset microphones will not work. See the instructions that are included with the headset to install in a helmet.

Connect the headset by aligning the connector index on the headset connector with the console index on the connector.

Audio routing for the headset is controlled through the radio. Volume and push-to-talk functions are done using the rider and passenger hand controls. See the BOOM! BOX OWNER'S MANUAL.

The socket caps remain shut when not in use to prevent dirt and water from entering the socket. Close both socket caps before washing the motorcycle.

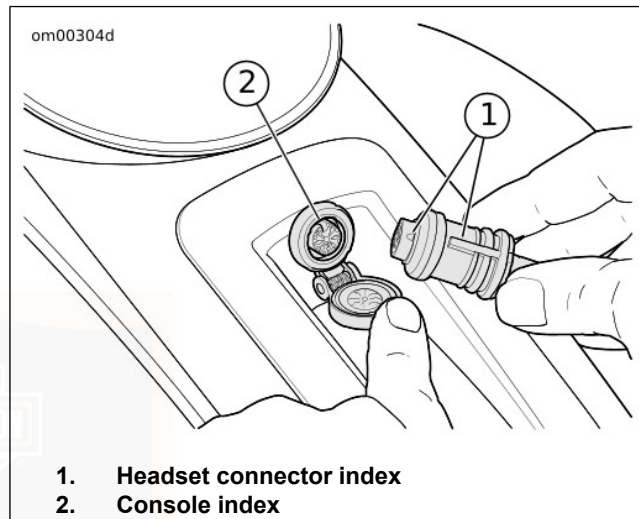


Figure 17. Rider Headset Connector (typical)

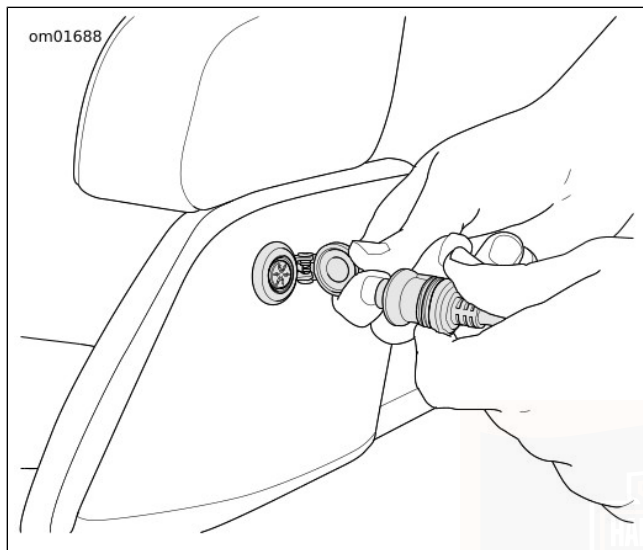


Figure 18. Passenger Headset Connector

ELECTRONIC THROTTLE CONTROL (ETC)

This motorcycle has an Electronic Throttle Control (ETC). Instead of using a mechanical cable connection to the throttle body, this technology uses redundant grip sensors to indicate rider requested throttle position to the Electronic Control Module (ECM). The ECM then regulates proper fuel/air intake and ignition timing based on the rider's actions.

The Electronic Control Module (ECM) monitors the status of the grip sensors, throttle plate actuation and airflow. If Trouble Codes are detected, the ECM disables cruise control, illuminates the check engine lamp and will transition to one of the following modes.

ETC Limited Performance Mode

The rider experiences near-normal operation. The motorcycle operates with provisions to guard against unintended acceleration.

ETC Power Management Mode

The throttle plate actuator returns to an "idle detent" or "limp-home" position, which provides enough torque to achieve speed of about 40 km/h (25 mph). The motorcycle's response to grip sensor input is reduced.

ETC Forced Idle Mode

The throttle plate actuator is forced to a "fast idle" position, which provides enough torque to crawl, but not enough torque to operate at traffic speeds.

ETC Forced Shut Down Mode

The engine is forced to shut down.

GEAR SHIFT LEVER

Location

See Figure 19. The gear shift lever is on the left side. The gear shift lever is operated with the left foot. The shift lever changes gears in a sequential six-speed transmission.

Shift Pattern

NOTICE

The clutch must be fully disengaged before attempting a gear shift. Failure to fully disengage the clutch can result in equipment damage. (00182a)

See Figure 19. Each gear must be engaged in sequence. Lift the gear shift lever up to upshift. Press the lever down to downshift. After each gear change, release the gear shift lever to allow it to return to its resting position. See OPERATION > SHIFTING GEARS (Page 110).

Neutral

Neutral is located between first and second gear. The transmission can be shifted to neutral from either first or second gear. Lift or press the gear shift lever one-half of its stroke. In neutral, the indicator lamp illuminates.

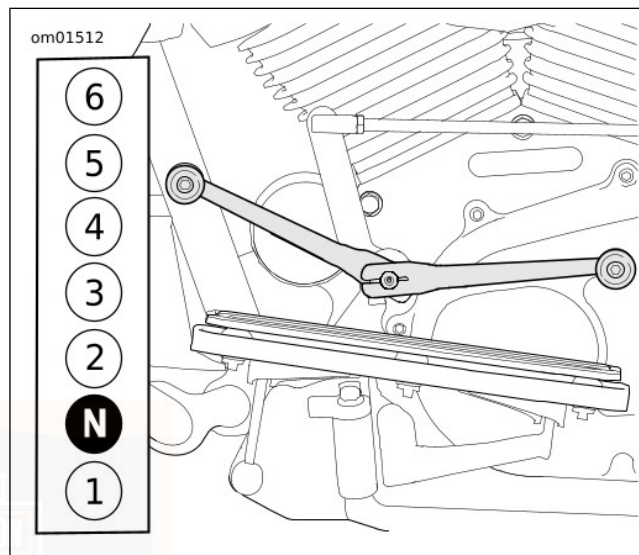


Figure 19. Gear Shift Lever and Shift Pattern
HEEL-TOE SHIFT LEVER

See Figure 20. Some motorcycles have a heel-toe shift lever. Upshifts can be made with the heel of the left foot. Upshifts and downshifts can be made with the toe.

Downshift (toe): Push toe shift lever all the way down (full stroke).

Upshift (toe): Lift the toe shift lever all the way up (full stroke).

Upshift (heel): Push the heel shift lever all the way down (full stroke).

Release the heel-toe shift lever after each gear change to allow the lever to return to its center position before another gear change.

NOTE

The height of the heel-toe shift lever can be adjusted for rider preference. Verify that full lever movement is available after adjustment. See the service manual.

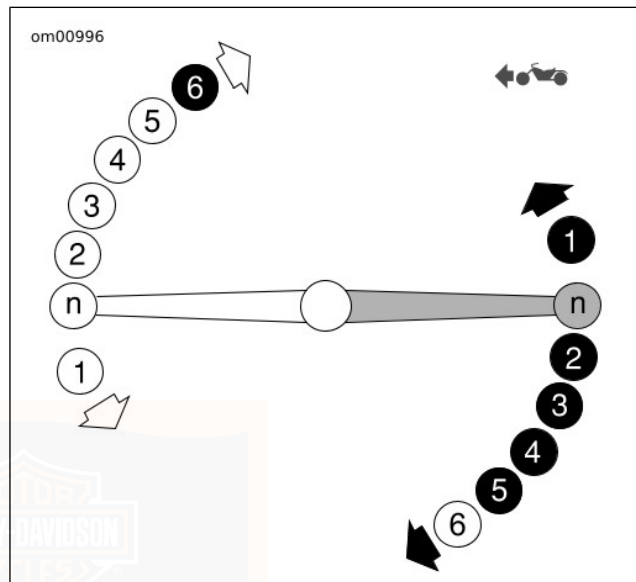


Figure 20. Heel-Toe Foot Shift Lever

PARKING BRAKE

See Figure 21. The parking brake pedal is on the left side of vehicle. The parking brake mechanically engages brakes for both rear wheels preventing the vehicle from rolling when parked. The parking brake indicator lamp turns on when the parking brake is applied.

Do not use parking brake when the vehicle is in motion. It is not an emergency brake. Always release the parking brake before riding.

NOTE

As brake pads wear, the parking brake may require adjustment to firmly engage the rear brakes. The parking brake indicator lamp turns on when the parking brake is applied, even if the parking brake is not properly adjusted. See MAINTENANCE AND LUBRICATION > PARKING BRAKE (Page 145) for inspection and adjustment.

Applying Parking Brake

1. Bring the vehicle to a complete stop.
2. Shift to first gear and shut off engine.
3. Apply front brake and cover rear brake with right foot.
4. See Figure 21. With the left foot, firmly push down the parking brake pedal until it cannot be pushed any further.

Releasing Parking Brake

1. Apply front brake and cover rear brake with right foot.
2. See Figure 21. With the left foot, firmly press the parking brake pedal and release. The parking brake returns to the released position.

NOTE

Foot pressure on the parking brake pedal when it is released may not allow the parking brake to reset properly. Allow the pedal to return to the released position with the operator's foot off the parking brake pedal.

3. Start motorcycle. The parking brake indicator lamp should be off. Operate the motorcycle normally.

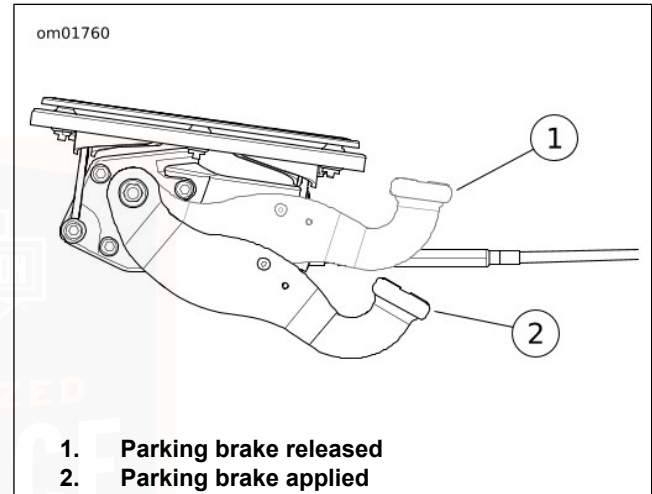


Figure 21. Parking Brake

BRAKE SYSTEM

⚠ WARNING

Do not apply brake strongly enough to lock the wheel. A locked wheel will skid and can cause loss of vehicle control, which could result in death or serious injury. (00053a)

This vehicle employs linked brakes meaning both front and rear brakes are applied when the rear brake pedal is operated. The rear brake pedal is located on the motorcycle's right side. Operate the rear brake pedal with the right foot.

The front brake lever will apply additional braking to the front wheel only. The front brake hand lever is located on the right handlebar. Operate the hand lever with the fingers of the right hand.

⚠ WARNING

Do not position fingers between hand control lever and handlebar grip. Improper hand positioning can impair control lever operation and cause loss of vehicle control, which could result in death or serious injury. (00032a)

Brakes should be applied uniformly and evenly to prevent wheels from locking up. A balance between rear and front braking is generally best.

PASSENGER FOOTBOARD HEIGHT ADJUSTMENT

Passenger footboards can be adjusted to one of three positions.

1. See Figure 22. Remove socket screw with lockwasher (1) from top of footboard bracket (3).

NOTE

Do not remove lower screw (4). The lower screw is a shoulder screw that rides in a slot in the bracket.

2. Slide the bracket to the desired height. Match the upper hole in the bracket to one of the three holes in the frame.
3. Apply a drop of LOCTITE 243 THREADLOCKER AND SEALANT (BLUE) to the threads of the socket screw (1). Install socket screw with lockwasher. Tighten to 49–56 N·m (36–42 ft-lbs).

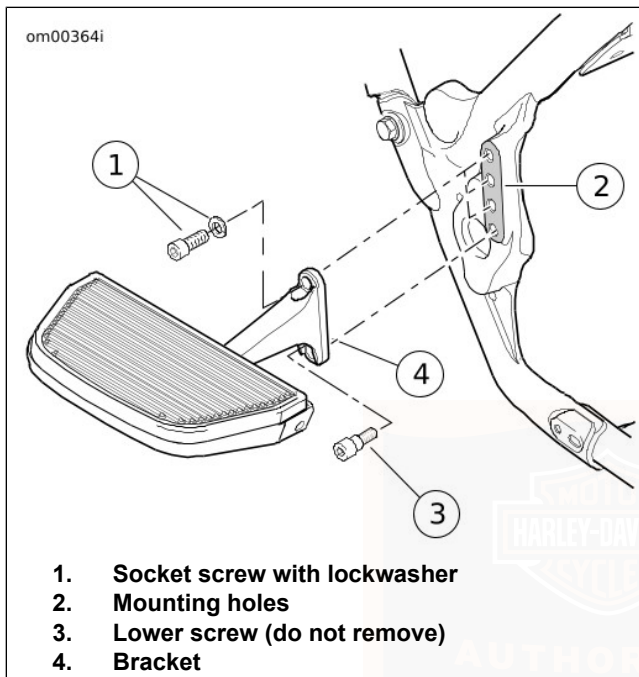


Figure 22. Passenger Footboard

FUEL FILLER CAP

See SAFETY FIRST > SAFE OPERATING RULES (Page 5) and review the following safety procedures.

⚠ WARNING

Avoid spills. Slowly open fuel filler cap. Do not fill above bottom of filler neck insert, leaving air space for fuel expansion. Secure filler cap after refueling. Gasoline is extremely flammable and highly explosive, which could result in death or serious injury. (00028b)

⚠ WARNING

Do not store motorcycle with gasoline in tank within the home or garage where open flames, pilot lights, sparks or electric motors are present. Gasoline is extremely flammable and highly explosive, which could result in death or serious injury. (00003a)

⚠ WARNING

Do not use aftermarket fuel caps. Aftermarket fuel caps may fit improperly and leak, which could lead to death or serious injury. See a Harley-Davidson dealer for approved fuel caps. (00034a)

NOTICE

Do not spill fuel onto the motorcycle while refueling. Immediately wipe up fuel spills on your motorcycle. Fuel can cause damage to cosmetic surfaces. (00147b)

NOTICE

Use only unleaded fuel in catalytic converter-equipped motorcycles. Using leaded fuel will damage the emission control system. (00150c)

FLRT

See Figure 23. The fuel filler cap is on the right side of the fuel tank.

The cap on the left side is the fuel gauge. The fuel gauge is not removable.

FLHTCUTG

The fuel filler cap is beneath a pushbutton or locking door on the fuel tank.

Pushbutton fuel door: See Figure 24. Press the pushbutton to release the door.

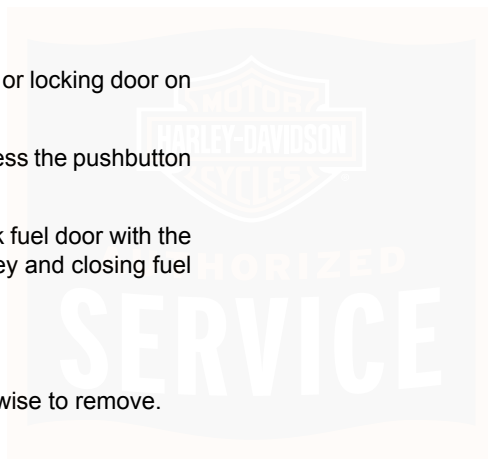
Locking fuel door: See Figure 25. Unlock fuel door with the ignition key. Lock fuel door by removing key and closing fuel door.

Fuel Filler Cap

Remove: Turn fuel filler cap counterclockwise to remove.

Fill fuel tank slowly to prevent fuel spillage. Do not fill above the bottom of the filler neck insert. Leave enough air space to allow for fuel expansion. Expansion can cause an overfilled tank to overflow fuel through the filler cap vent onto surrounding areas.

Install: Turn fuel filler cap clockwise until it clicks. The ratchet action of the cap prevents over-tightening.



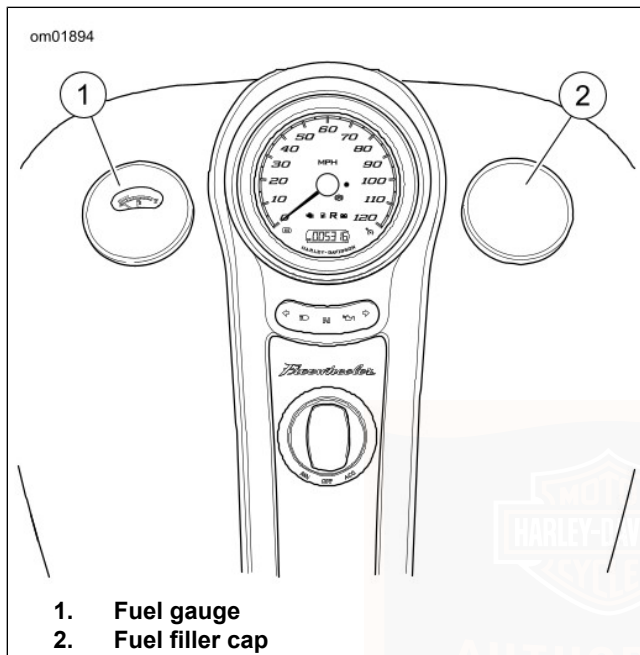


Figure 23. Fuel Tank: FLRT

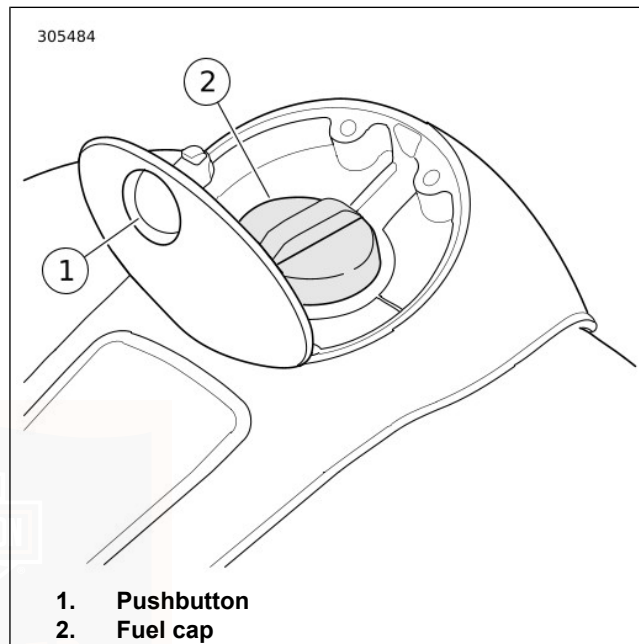


Figure 24. Pushbutton Fuel Door

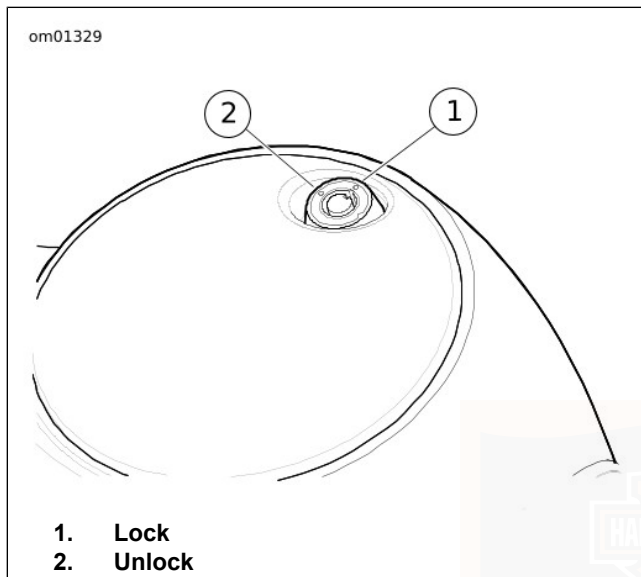


Figure 25. Locking Fuel Door

REAR VIEW MIRRORS

⚠ WARNING

Objects in mirrors are closer than they appear. Use caution when judging distance of objects in mirrors. Failure to judge correct distances could result in death or serious injury. (00033a)

Your motorcycle has two convex rear view mirrors.

This type of mirror is designed to give a much wider view to the rear than a flat mirror. However, cars and other objects seen in this type of mirror look smaller and farther away than they actually are.

- Use caution when judging the size or relative distance of objects seen in rear view mirrors.
- Always adjust the rear view mirrors to reflect the area behind the motorcycle before riding.

NOTE

Adjust mirrors so you can see a small portion of your shoulders in each mirror. This will help you establish the relative distance of vehicles to the rear of your motorcycle.

AIR SHOCK ADJUSTMENT

Recommended Pressure

The recommended pressures are starting pressures for the total weight of rider, passenger and luggage. Vary the recommended pressure to suit road conditions, riding style and comfort. Refer to Table 19.

Table 19. Rear Suspension Recommended Air Pressure

SHOCK LOAD	TOTAL WEIGHT	PRESSURE	
		psi	kPa
Solo rider	up to 68 kg (150 lb)	5-10	34-69
	68–91 kg (150–200 lb)	10-20	69-138
	91–113 kg (200–250 lb)	20-30	138-206
	113–136 kg (250–300 lb)	30-40	206-276
	136 kg (300 lb) to maximum added weight allowed*	40-50	276-345
Solo rider with capacity luggage of 36 kg (80 lb)	up to 68 kg (150 lb)	25-30	172-206
	68–91 kg (150–200 lb)	30-40	206-276
	91–113 kg (200–250 lb)	40-50	276-345
	113 kg (250 lb) to maximum added weight allowed*	50	345
Rider plus passenger	Any weight up to maximum added weight allowed*	50	345
Maximum loaded vehicle	Maximum added weight allowed*	50	345
Do not exceed 345 kPa (50 psi) rear shock pressure.			
*Refer to Table 13 for maximum added weight allowed on the motorcycle.			

Adjustment

NOTE

See Figure 26. Use a no-loss air pump such as the DIGITAL TOURING SUSPENSION AIR PUMP (PART NUMBER: 54000033) available from a Harley-Davidson dealer. This pump can also be used as a tire air pressure gauge.

1. Press the power button (3) to turn on the display.
2. To switch the display between psi and kPa units, hold the power button five seconds.
3. Remove right side cover.
4. Remove the cap from the air valve under the right side cover.
5. Install the pump air valve adapter (2) on the air valve.

NOTE

- Before releasing pressure, purge the shock absorber of oil by inflating an extra 20.7–34.6 kPa (3–5 psi).
- For best results, press the pressure release button (1) slowly and only partially.

NOTICE

Do not exceed maximum air pressure for suspension. Air components fill rapidly. Therefore, use low air line pressure. Failure to do so can result in possible damage to components. (00165b)

6. Adjust pressure.
 - a. **Release pressure:** Press the pressure release button on the pump.
 - b. **Inflate pressure:** See Figure 27. Pull out the handle. Rotate the handle to the T-position. Pump until the display indicates the recommended pressure.
7. Remove the pump from the air valve.
8. Install cap on air valve.

9. Install right side cover.

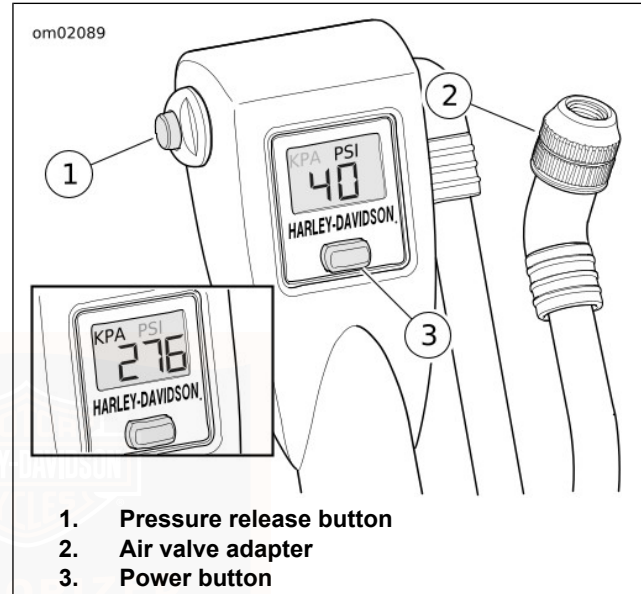


Figure 26. Digital Touring Suspension Air Pump

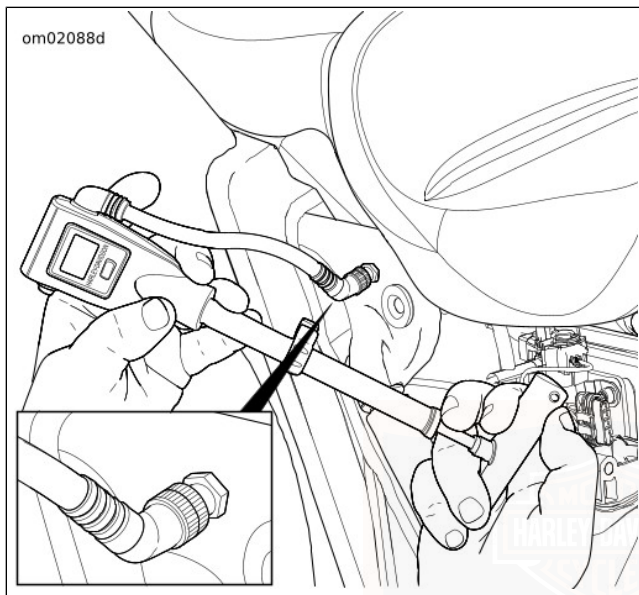


Figure 27. Adjusting Shock Air Pressure

LUGGAGE

⚠ WARNING

See **ACCESSORIES AND CARGO** section within the **SAFETY FIRST** section in your owner's manual. Improper cargo loading or accessory installation can cause component failure and adversely affect stability, handling and performance, which could result in death or serious injury. (00021c)

⚠ WARNING

Do not exceed the motorcycle's **Gross Vehicle Weight Rating (GVWR)** or **Gross Axle Weight Rating (GAWR)**. Exceeding these weight ratings can lead to component failure and adversely affect stability, handling and performance, which could result in death or serious injury. (00016f)

- GVWR is the total weight of the motorcycle, accessories, rider, passenger and cargo that can be safely carried.
- GAWR is the maximum amount of weight that can be safely carried on each axle.
- See information label on frame steering head or frame downtube for GVWR and GAWR.

▲ WARNING

Improper loading of cargo or installation of accessories can affect motorcycle stability and handling, which could result in death or serious injury. (00095a)

- Keep cargo weight concentrated close to the motorcycle and as low as possible to minimize the change in the motorcycle's center of gravity. Distribute weight evenly on both sides of the vehicle. Do not load bulky items too far behind the rider or add weight to the handlebars or front forks. Do not exceed maximum load on the label within the luggage.
- Check that cargo is secure. The cargo cannot shift while riding. Periodically recheck load.
- Close and lock luggage before riding or leaving the vehicle unattended.

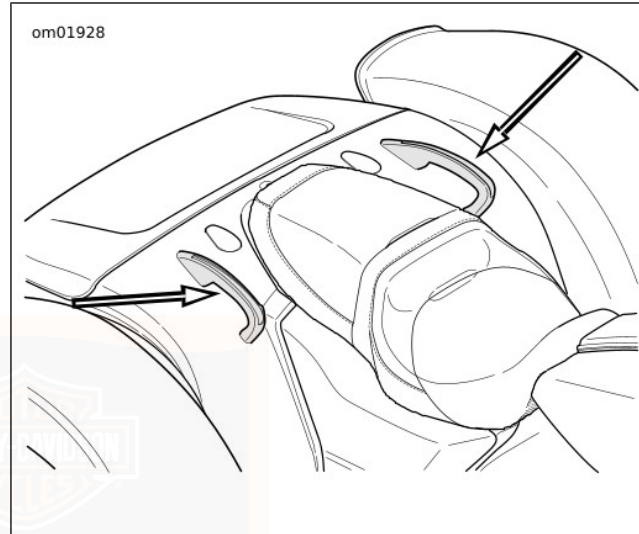
PASSENGER GRAB HANDLES: FLRT

See Figure 28. Grab handles for the passenger are on the body.

NOTE

- *Do not use the grab handles to secure cargo.*
- *Do not use the grab handles to lift the vehicle.*

- *Do not use the grab handles as tie down points during transportation. Damage can occur.*



**Figure 28. Passenger Grab Handles: FLRT
TOUR-PAK**

▲ WARNING

Do not exceed Tour-Pak weight capacity. Too much weight can cause loss of control, which could result in death or serious injury. (00401c)

▲ CAUTION

Do NOT pull on any electrical wires. Pulling on electrical wires may damage the internal conductor causing high resistance, which may result in minor or moderate injury. (00168a)

Operation

See Figure 29. Some vehicles have a lockable Tour-Pak for storing cargo.

Lock/Unlock: Use the ignition key to lock or unlock the latch handle.

Open: Pull the latch handle. Raise the lid.

Close: Close the lid. Push the latch handle to secure the lid. Lift on lid to check that it is secure.

Removal/Installation

▲ CAUTION

Do NOT pull on any electrical wires. Pulling on electrical wires may damage the internal conductor causing high resistance, which may result in minor or moderate injury. (00168a)

The Tour-Pak can be installed in the forward or rearward position. The motorcycle is shipped from the factory with the Tour-Pak installed in the rearward position. See the service manual or a Harley-Davidson dealer.

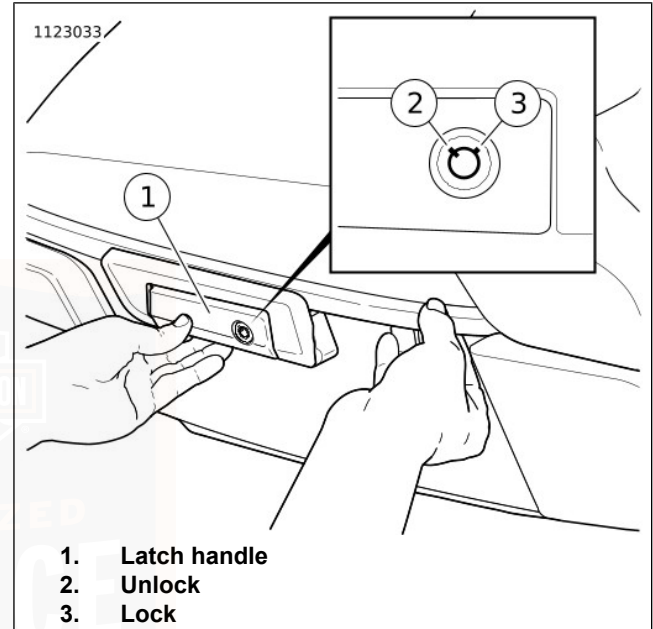


Figure 29. Tour-Pak

TRUNK: FLRT

The vehicle has a lockable trunk. When loading the trunk, distribute weight evenly. Do not exceed the maximum load of 22 kg (50 lb). Contents in trunk can shift while riding.

1. See Figure 30. To unlock trunk, insert key into barrel lock and turn one-quarter turn counterclockwise. Remove key.
2. See Figure 31. Turn the barrel lock clockwise to unlatch door. Open trunk door.
3. Close the trunk door. Press down on the trunk door to engage latch. Pull to make sure that trunk door is secure.
4. To lock trunk, insert key into barrel lock and turn one-quarter turn clockwise. Remove key. Turn the knob to make sure that trunk is locked.

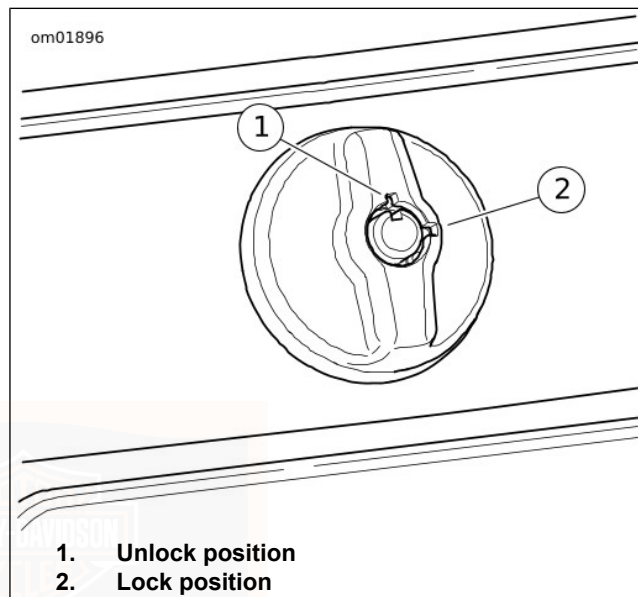


Figure 30. Trunk Lock

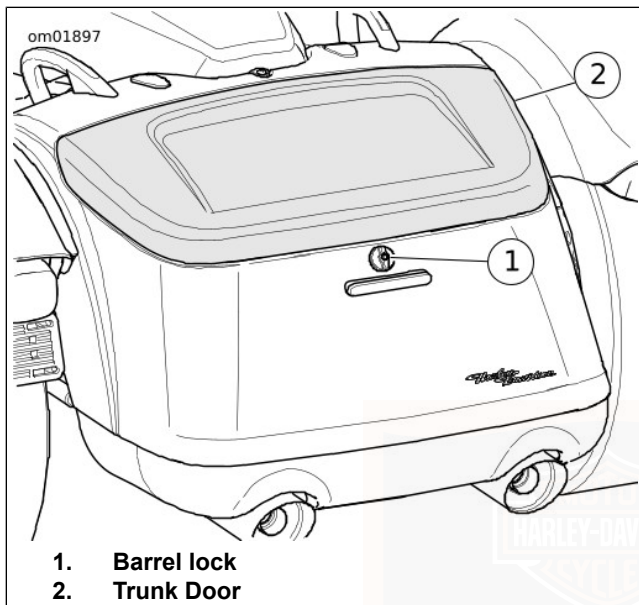


Figure 31. Trunk (typical)

TRUNK: FLHTCUTG

The vehicle has a lockable trunk. When loading the trunk, distribute weight evenly. Do not exceed the maximum load of 22 kg (50 lb). Contents in trunk may shift while riding.

1. See Figure 32. To unlock trunk, insert key into barrel lock and turn one-eighth turn clockwise. Return key to center position and remove.
2. See Figure 33. Push in the barrel lock to unlatch door. Pull handle to open trunk door.
3. Firmly close the trunk door to engage latch. Pull handle to make sure that trunk door is secure.
4. To lock trunk, insert key into barrel lock and turn one-eighth turn counterclockwise. Return key to center position and remove. Push on barrel lock to make sure that trunk is locked.

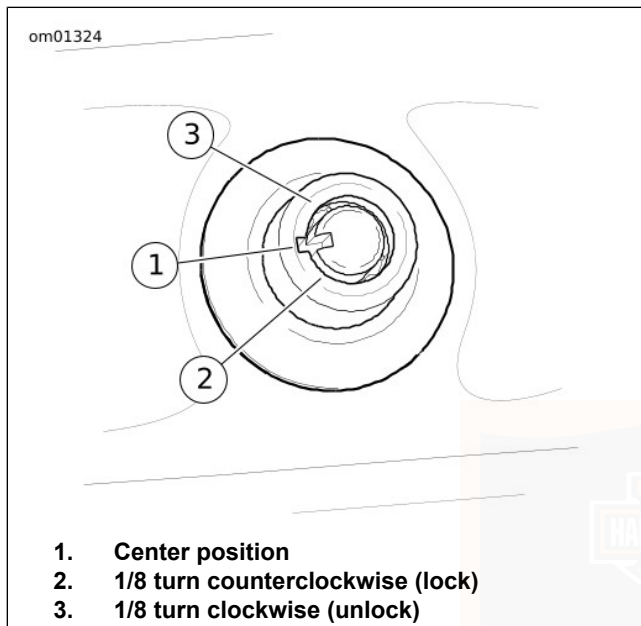


Figure 32. Trunk Lock

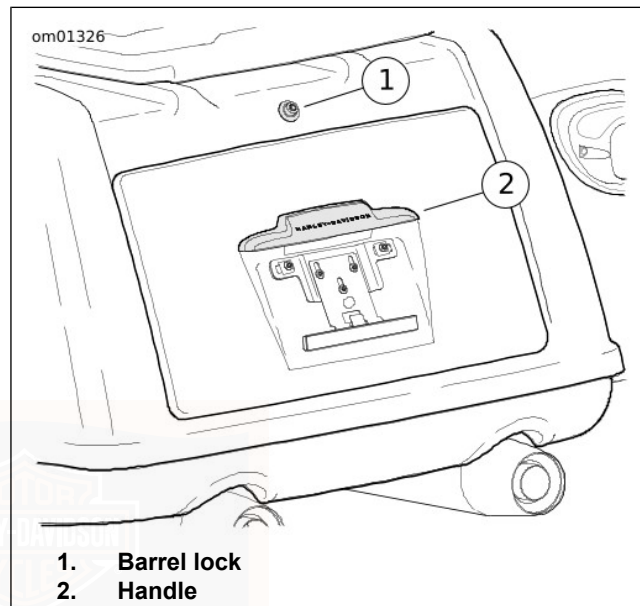


Figure 33. Trunk (typical)

POWER PORT: FLHTCUTG

See Figure 34. The power port is on the right side of the fairing. The port can be used to power or charge 12 VDC accessories with a standard automotive power connector. Follow the manufacturer instructions when installing and

operating accessories. Firmly push the accessory connector into the power port.

▲ WARNING

Be sure that steering is smooth and free without interference. Interference with steering could result in loss of vehicle control and death or serious injury. (00371a)

NOTE

- *Before riding, rotate handlebars to the full right position and check for contact between installed accessories or wiring and the fuel tank.*
- *Do not use the power port as a cigarette lighter. Damage to the socket may occur. See an authorized Harley-Davidson dealer for available accessories.*

The port is energized while the ignition switch is in the IGNITION or ACCESSORY position. Powering accessories for an extended time while the engine is not running drains the battery.

The maximum current draw for all connected accessories is 15 amps. This includes the total current for all power ports and any other accessories installed. If excessive current is detected, the system cuts off power to the port. The system automatically enables power to the port again when it senses

the overcurrent situation has ceased (such as when faulty or high powered accessory has been removed).

Items charging with the power port may cause interference with radio reception.

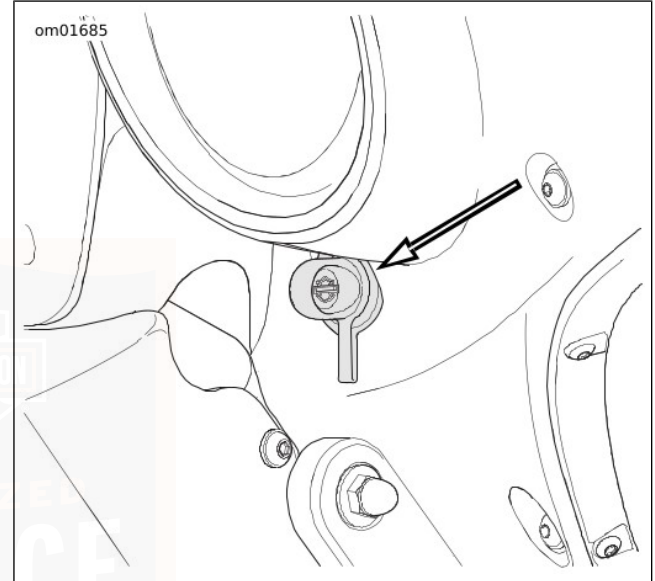


Figure 34. Fairing Power Port

FAIRING SPLITSTREAM VENT

See Figure 35. Vehicles with a fairing have a vent in the upper dash for ventilation. The vent can be closed or opened to provide a comfortable flow of air to the rider and to minimize wind buffeting. The preferred position is to keep the vent open for reduced turbulence.

Open: Press down the vent button until it clicks. The vent door remains in the open position.

Close: Press down the vent button and release. The button pops up and the vent door closes.

Reset: If the latch does not catch, firmly press the button to open, close and reopen the vent until the mechanism engages.

Keep the vent free of foreign objects. Periodically clean the vent mechanism to remove dirt, bugs and leaves, and to keep all parts from sticking. Clean the button and vent door if they become difficult to open or close. See CARE AND CLEANING > FAIRING SPLITSTREAM VENT CARE (Page 203).

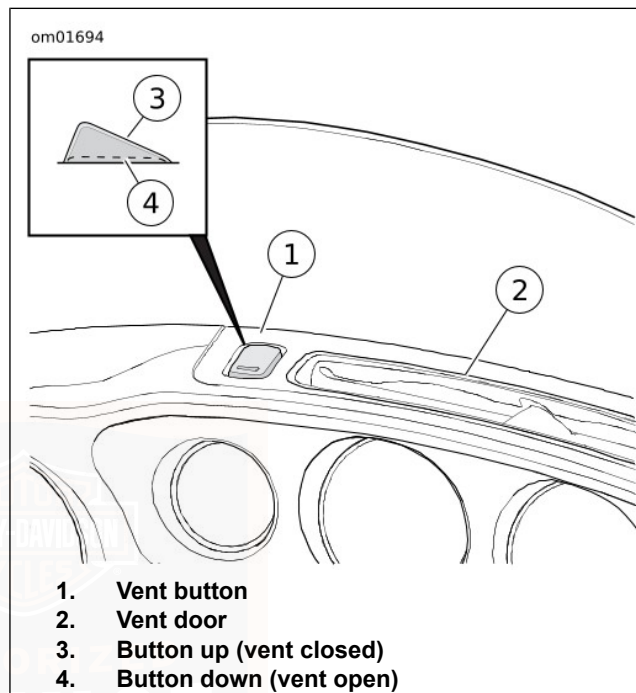


Figure 35. Fairing Splitstream Vent

ADJUSTABLE AIR DEFLECTORS

See Figure 36. Some models have adjustable air deflectors located along the left and right edge of the fairing. These

deflectors can be rotated to direct airflow for rider and passenger comfort.

Adjust: With the vehicle parked, grasp the outer edge of the deflector and pivot to the desired position.

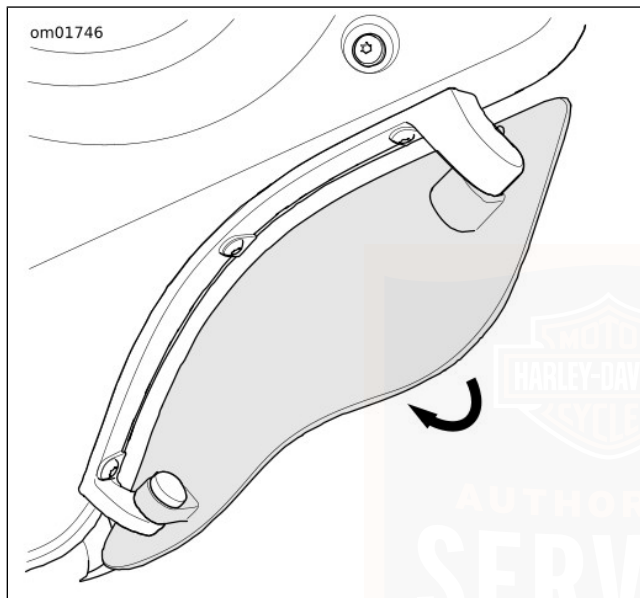


Figure 36. Air Deflector

FAIRING LOWERS

Some models have fairing lowers. The fairing lowers provide an extra level of riding comfort by blocking wind and water from the rider's legs.

Vent Door

See Figure 37. The fairing lower vent door can be adjusted to direct airflow for rider comfort and circulate air across the engine. Slide the vent door lever to adjust or close the vent door.

Storage Compartment: Air-Cooled Models

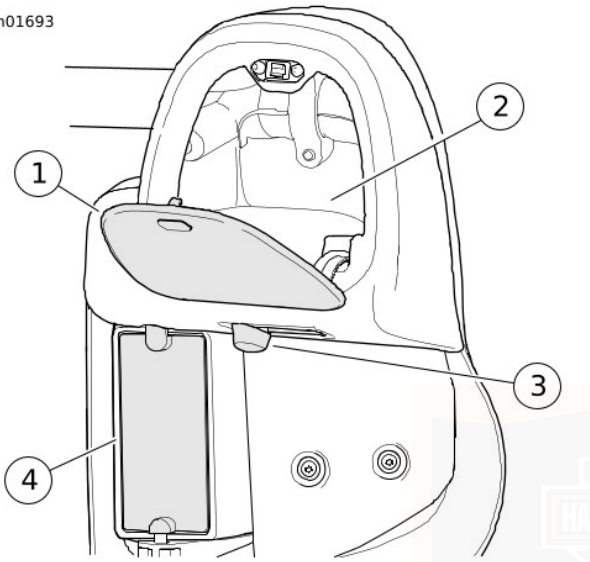
See Figure 37. Air-cooled models have fairing lowers with a storage compartment. Remove any valuable items from the storage compartment before leaving the motorcycle unattended.

Open: Push and release the indented tab at the top of the compartment door. Pull down the top of the door to open.

Close: Push the compartment door shut until it latches. Check that all compartment doors are secure before riding.

Reset: If the latch sticks or does not catch properly, firmly press the door to close. Open and close the door again to engage the latch mechanism.

om01693



1. **Compartment door**
2. **Storage compartment**
3. **Vent door lever**
4. **Vent door**

Figure 37. Fairing Lower: Air-Cooled Models

NOTE

The fairing lowers on Twin-Cooled models do not have a storage compartment. Do not store any items in the fairing lowers on a Twin-Cooled vehicle.

Removing Fairing Lower: Air-Cooled Models

Fairing lowers can be removed in warmer ambient temperature to increase rider and passenger comfort. Fairing lowers with speakers require the speakers to be removed and harnesses be disconnected. See the service manual to remove fairing lowers on air-cooled vehicles.

NOTE

The fairing lowers on Twin-Cooled vehicles contain cooling system components. Do not remove fairing lowers on Twin-Cooled vehicles.

Cooling System: Twin-Cooled Vehicles

See Figure 38. On Twin-Cooled vehicles, the fairing lowers include cooling system components. The coolant bottle is behind the access panel in the right side fairing lower. See **MAINTENANCE AND LUBRICATION > COOLING SYSTEM** (Page 131) to check the coolant level.

The access panel is secured with three retainers. Carefully pry at the top and at each lower corner to remove the access

panel. To install, push the panel until the retainers snap into place.

Keep the radiator screen and outlet duct clean and free from obstructions.

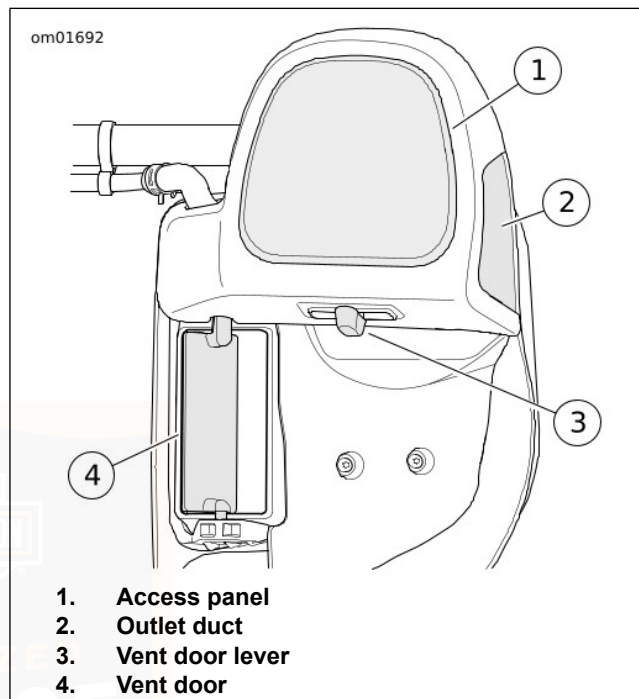


Figure 38. Fairing Lowers: Twin-Cooled Models

NOTES



SECURITY SYSTEM

Components

The security system consists of a control module, a hands-free antenna and a hands-free fob carried by the rider/passenger.

After parking the motorcycle:

Keyed Ignition: Turn the ignition switch to OFF or ACCESSORY.

Keyless Ignition: Turn OFF/RUN switch to OFF.

The security system will automatically **arm** within five seconds. While armed, the starter and ignition are disabled and the rider can leave the motorcycle knowing that the module disables the ignition if someone tampers with the ignition switch or activates an alarm if someone attempts to move the motorcycle.

Keyed Ignition: If the fob is present, the module automatically **disarms** when the ignition is turned to IGNITION or ACCESSORY.

Keyless Ignition: If the fob is present, the module automatically **disarms** when the OFF/RUN switch is turned to ON or the TRIP switch is pressed (for accessory mode).

NOTE

- If disconnecting the battery, see SECURITY SYSTEM > DISCONNECTING POWER (Page 98) to prevent the optional security system siren from sounding.
- Do not relocate the module or the antenna.

Options

See a Harley-Davidson dealer or www.harley-davidson.com for security system options.

- Smart Siren II.
- Security Pager and Security Pager Receiver II.
- Replacement fobs.

SECURITY SYSTEM FOB

Fob Assignment

See Figure 39. Fobs are electronically assigned to the security system by a Harley-Davidson dealer. Up to two fobs can be assigned at any one time.

NOTE

- The reusable label found on the fob packaging lists the serial number of the fob. For reference, affix the label to a blank "NOTES" page in this Owner's Manual.

- *The serial number of the fob is also found on the inside of the fob. See SECURITY SYSTEM > FOB BATTERY (Page 97).*
- *The module will arm only if the fob has been assigned by a Harley-Davidson dealer and a personal identification number (PIN) has been entered in the system. Write the PIN on the personal information page in the front of this owner's manual and on the removable wallet card.*
- *If the fob is misplaced or the fob fails, refer to the wallet card and use the PIN to manually disarm the system. See SECURITY SYSTEM > ARMING AND DISARMING (Page 92) and SECURITY SYSTEM > TROUBLESHOOTING (Page 99).*
- *The rider can change the PIN at any time. See SECURITY SYSTEM > ARMING AND DISARMING (Page 92).*
- Do not ride with the fob stored in a metal case or with the fob closer than 76 mm (3.0 in) to a mobile phone, display or other electronic device. Any electromagnetic interference may prevent the fob from disarming the system.
- For added security, always lock the fork and remove the key when parked. If the fob is within range and the motorcycle is unlocked, tampering with the motorcycle will not activate the alarm.

Riding without a Fob

If the motorcycle is ridden off without the fob, the odometer window temporarily displays "NO FOB." To restart a motorcycle without a fob, disarm the security system with the PIN.

Riding with a Fob

- Always carry the fob when riding, loading, fueling, moving, parking or servicing the motorcycle. Carry the fob in a convenient pocket.
- Do not leave the fob attached to the handlebars or store the fob in a luggage compartment. Unintentionally leaving the fob with the motorcycle when it is parked prevents the system from activating the alarm.

om02292

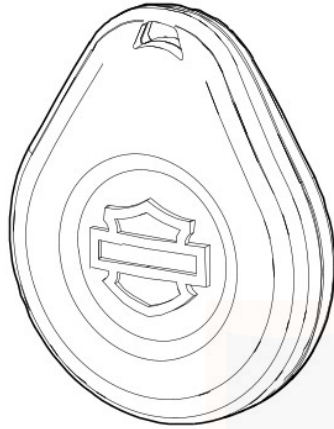


Figure 39. Fob: Security System

PERSONAL IDENTIFICATION NUMBER (PIN)

The personal identification number (PIN) is a number that can be used to disarm the security system. Use the PIN in case the assigned fob is misplaced, fails or if the fob cannot communicate with the motorcycle because of electromagnetic interference.

A PIN is a five-digit number (1-9, no zeros).

Changing the PIN

The rider can change the PIN at any time. Refer to Table 20.

Table 20. Changing the PIN

STEP NO.	ACTION	WAIT FOR CONFIRMATION	NOTES
1	Select a 5-digit (1 thru 9) PIN and record on the wallet card from owner's manual.		
2	With an assigned fob present, turn the engine stop switch to OFF .		
3	Turn the ignition switch to IGN .		
4	Cycle the OFF/RUN switch twice: RUN - OFF - RUN - OFF - RUN .		
5	Press left turn signal switch two times .	ENTER PIN will scroll through the odometer window.	
6	Press right turn signal switch one time and release.	Turn signals will flash three times. Current PIN will appear in odometer. The first digit will be flashing.	
7	Enter first digit of new PIN by pressing and releasing the left turn signal switch until the selected digit appears.		
8	Press right turn signal switch one time and release.	The new digit will replace the current in odometer window.	
9	Enter second digit of selected PIN by pressing and releasing the left turn signal switch until the selected digit is present.		
10	Press right turn signal switch one time and release.	The new digit will replace the current in odometer window.	

Table 20. Changing the PIN

STEP NO.	ACTION	WAIT FOR CONFIRMATION	NOTES
11	Enter third digit of the selected PIN by pressing and releasing the left turn signal switch until the selected digit is present.		
12	Press right turn switch one time and release.	The new digit will replace the current in odometer window.	
13	Enter fourth digit of new PIN by pressing and releasing the left turn signal switch until the selected digit is present.		
14	Press right turn switch one time and release.	The new digit will replace the current in odometer window.	
15	Enter fifth digit of the new PIN by pressing and releasing the left turn signal switch until the selected digit is present.		
16	Press right turn switch one time and release.	The new digit will replace the current in odometer window.	
17	Turn the engine stop switch OFF , then turn the ignition switch to OFF .		Pushing the engine stop switch to OFF stores the new PIN in the module.

SECURITY STATUS INDICATOR

See Figure 6. The security lamp in the speedometer face indicates the status of the security system.

- **Armed:** A lamp that blinks approximately every three seconds indicates that the system is armed.
- **Disarmed:** After the system disarms and the ignition is on, the lamp will remain illuminated for approximately four seconds and then turn off.
- **Service:** A lamp that remains illuminated longer than four seconds when the system is disarmed indicates that service of the module is required.

ARMING AND DISARMING

Arming

When the motorcycle is parked and the ignition is turned to OFF or ACCESSORY, the security system arms automatically within five seconds if no motion is detected. Even when the fob is present, the system arms.

On arming, the turn signals flash twice and the optional siren chirps twice if the siren is in the chirp mode. While armed, the indicator lamp in the speedometer face flashes every three seconds.

NOTE

International models: The system must be in the chirp mode for the siren to chirp on arming or disarming. See SECURITY SYSTEM > SIREN CHIRP MODE (CONFIRMATION) (Page 96).

Disarming

With the fob present, the rider may ride or move the motorcycle for parking, storage or service without setting off the alarm. Disarming is automatic as long as the fob is within range.

Fob: An armed security system is automatically disarmed when the fob is present and the motorcycle is moved or the ignition switch is turned to IGNITION or ACCESSORY. The range of the fob is 1.5 m (5 ft).

When the system disarms, the optional siren chirps once and the security indicator lamp illuminates for a solid four seconds and then turns off.

Personal identification number (PIN): If the fob is misplaced or if the present fob fails to communicate, the system can be disarmed with the personal identification number (PIN). Refer to Table 21.

Disarming with a PIN

Disarm the security system manually using the PIN if the fob is lost, the fob battery is discharged or if where you parked there is a strong electromagnetic interference.

Do not turn handlebars, straddle seat or lift motorcycle off the jiffy stand. During a PIN disarm, if the security system detects motorcycle motion the system will activate the alarm.

NOTE

- If a mistake is made while entering PIN, turn the ignition switch to OFF before entering the last digit and then start the procedure from the beginning.
- If the procedure fails to disarm the security system, wait two minutes before attempting another PIN disarm.
- The security system remains disarmed until the ignition is turned to OFF.
- At any time during a PIN disarm if the fob is brought within range, the security system disarms as the module receives the coded signal from the fob.

Table 21. Entering a PIN to Disarm Security System

STEP NO.	ACTION	WAIT FOR CONFIRMATION	NOTES
1	If necessary, verify the current 5-digit PIN.		Should be recorded.
2	Turn ignition to IGN .	If armed, the odometer window display will read: ENTER PIN and the security lamp will be flashing at a fast rate. The headlight will not be on.	
3	Press and release the left turn signal switch.	In the odometer window, a flashing 1 will appear.	
4	Advance the digit by tapping the left turn signal until the odometer window displays the first digit of the PIN.	The first digit in the odometer will be the first digit in the PIN.	

Table 21. Entering a PIN to Disarm Security System

STEP NO.	ACTION	WAIT FOR CONFIRMATION	NOTES
5	Press right turn switch 1 time .	The first digit is stored and the next digit will flash.	Serves as enter key.
6	Advance the second digit using the left turn switch until the digit reaches the second digit of the PIN.	The second digit in the odometer will be the second digit in the PIN.	
7	Press right turn switch 1 time .	The second digit is stored and the next dash will flash.	Serves as enter key.
8	Advance the third digit using the left turn switch until it reaches the third digit of the PIN.	The third digit in the odometer will be the third digit in the PIN.	
9	Press right turn switch 1 time .	The third digit is stored and the next dash will flash.	Serves as enter key.
10	Advance the fourth digit using the left turn switch until it reaches the fourth digit of the PIN.	The fourth digit in the odometer will be the fourth digit in the PIN.	
11	Press right turn switch 1 time .	The fourth digit is stored and the next dash will flash.	Serves as enter key.
12	Advance the fifth digit using the left turn switch until it reaches the fifth digit of the PIN.	The fifth digit in the odometer will be the fifth digit in the PIN.	
13	Press right turn switch 1 time .	The fifth digit is stored. The security system indicator lamp stops blinking.	Security System is disarmed.

ALARM

Ignition Disabled

When the fob is not present and the system is armed, if the ignition switch is turned to IGNITION or ACCESSORY, the security lamp will flash at a fast rate and the odometer window display will scroll "ENtER PIN". The headlamp will not turn on.

After approximately 10 seconds, if the system does not receive a left turn signal switch input, the display will go blank. The ignition system will remain disabled until the fob is present or the current PIN is entered.

Warnings

Once armed, if the motorcycle is moved or lifted up off of its jiffy stand and the fob is not present, the alarm will warn the operator with three alternate flashes of the turn signals and a chirp of the optional siren.

Within four seconds, if the motorcycle is back on its jiffy stand and no further motion is detected and/or the ignition is turned to OFF, the system will remain armed without activating the alarm.

If the motorcycle motion continues, the system will issue a second warning four seconds after the first.

NOTE

During warnings and alarms, the starter motor and the ignition circuits are disabled.

Alarm Activation

If the security system is still detecting motion and/or if the ignition has not been turned back to OFF after a second warning, the system will activate the alarm.

When activated, the security system will:

- Alternately flash the four turn signals.
- Sound the optional siren.

Duration: The alarm will stop within 30 seconds and if no motion is detected, the alarm will not restart.

However, if motorcycle motion continues, the system will repeat the 30 second alarm and recheck for motion. The alarm will repeat this 30 second alarm cycle for five minutes (10 cycles) or until the alarm is deactivated.

NOTE

The alarm will also activate the LED, vibration or audible modes of a Harley-Davidson security pager. A pager can operate either in silent or in combination with an optional siren. The range of a pager can be up to 0.8 km (0.5 mi). See a Harley-Davidson dealer for details.

Deactivate Alarm

- **Key fob:** Bring the fob to within 1.5 m (5 ft) of the motorcycle. After the module identifies that the fob is present, the system will terminate the alarm.
- **PIN entry:** Enter the PIN to deactivate the alarm. If an error is made while entering the PIN, wait until the alarm is between cycles to enter the PIN.

SIREN CHIRP MODE (CONFIRMATION)

Chirp Mode

In chirp mode, the siren sounds two chirps when arming, and a single chirp when disarming.

Chirpless Mode

In chirpless mode, the siren does not chirp on arming or disarming.

The siren still provides warning chirps and sounds the alarm if motorcycle is moved or ignition switch is turned on without the fob present.

Switching Modes

Quickly cycling ignition switch ON-OFF-ON-OFF-ON switches the system from one mode to the other.

1. With the fob present, turn the ignition switch to IGNITION.
2. When the security lamp turns off, turn the ignition switch to OFF.
3. When the security lamp turns off (but before the turn signals flash twice), immediately turn the ignition switch to IGNITION.
4. When the security lamp turns off, immediately turn the ignition switch to OFF.
5. When the security lamp turns off (but before the turn signals flash twice), immediately turn the ignition switch to IGNITION.

TRANSPORT MODE

When transporting the motorcycle, place the system in the transport mode. Otherwise, the alarm activated by motion detection can discharge the battery.

In the transport mode, the security system is armed without enabling the motion detector for one ignition cycle. This allows the vehicle to be picked up and moved in an armed state. However, any attempt to start the engine when the fob is not within range will trigger the alarm.

To Enter Transport Mode

1. With an assigned fob within range, turn the ignition switch to IGNITION.

2. Before the security lamp goes out, turn the ignition switch to OFF.
3. Within three seconds, simultaneously press both the left and the right turn signal switches.
4. After the turn signals flash once, the system enters the transport mode. With the fob removed, the motorcycle can be moved without setting off the alarm.

To Exit Transport Mode

With the fob present, turn the ignition switch to IGNITION to disarm the system.

STORAGE AND SERVICE DEPARTMENTS

Long-Term Parking

To maintain arming, store the fob beyond the range of the antenna. The antenna range is approximately 1.5 m (5 ft). Have the fob present before moving parked motorcycle.

If the motorcycle will not be operated for several months, such as during the winter season, see MAINTENANCE AND LUBRICATION > MOTORCYCLE STORAGE (Page 191).

Service Departments

When the motorcycle is left at a Harley-Davidson dealer, there are two options:

1. Leave an assigned fob with the dealer.
2. To maintain possession of the fob, ask the dealer to disable the system for service (service mode) before leaving the dealership. Once service mode is active, the vehicle can be operated without an assigned fob present. To maintain the service mode, the assigned fobs must be kept out of range. If the fob appears in range, the service mode is cancelled.

FOB BATTERY

Battery Replacement Schedule

Replace the fob battery every year.

Battery Replacement

1. Open the fob case.
 - a. See Figure 40. Place a thin blade in the thumbnail slot (1).
 - b. Twist the blade to separate cases.

NOTE

Use a CR1632 or equivalent battery.

2. Install a new battery with the positive side up.
 - a. Push the latch (3) away from the battery.

3. Pull the main fuse from its holder.
4. Disconnect the battery if needed.

NOTE

Place the ignition switch in the OFF position before installing the main fuse.

TROUBLESHOOTING

Security System Indicator

If the system indicator lamp stays illuminated while riding, see a Harley-Davidson dealer.

Fob

If the security system continues to actuate warnings and alarms with the fob present, check for:

1. **Electromagnetic interference:** Other electronic devices, power lines or other electromagnetic sources can cause the security system to operate inconsistently.
 - a. Verify that the fob is not in a metal enclosure or within 76 mm (3.0 in) of any other electronic devices.
 - b. Place the fob on the seat and turn the ignition to IGN. After the system disarms, return the fob to a convenient location.

- c. Move motorcycle at least 5 m (15 ft) from the spot of interference.
- d. Use the PIN to disarm the system.

NOTE

Leaving a fob next to a computer monitor can run down the battery.

2. **Discharged fob battery:** Use the PIN to disarm the system. Replace the battery. See SECURITY SYSTEM > FOB BATTERY (Page 97).
3. **A damaged fob:** Use the PIN to disarm the motorcycle. Replacement fobs are available for purchase from a Harley-Davidson dealer.

Siren

- If the siren does not chirp two or three times on a valid arming command from the security module, the siren is either in the chirpless mode, not connected, not working, or the siren wiring was opened or shorted while the siren was disarmed.
- If the siren is armed and the internal siren battery is dead, shorted, disconnected, or has been charging for a period longer than 24 hours, the siren will respond with three chirps on arming instead of two.

- The internal siren battery may not charge if the vehicle's battery is less than 12.5 volts.
- If the siren enters the self-driven mode where it is powered from the siren's internal 9 volt battery, the turn signal lamps may or may not alternately flash. If the security module activates the siren, the turn signal lamps will alternately flash. If the siren has been armed and a security event occurs, and the siren is in self-driven mode, the siren will alarm for 20-30 seconds and then turn off for 5-10 seconds. This alarm cycle will be repeated ten times if the siren is in the self-driven mode.

FCC REGULATIONS: KEY FOB

This device complies with Part 15 of the FCC Rules and with Industry Canada license-exempt RSS standard(s). Operation is subject to the following two conditions: (1) This device may not cause harmful interference, and (2) This device must accept any interference received, including interference that may cause undesired operation.

NOTE

Changes or modifications not expressly approved by the party responsible for compliance could void the user's authority to operate the equipment.

KEY FOB RF CERTIFICATIONS

The security fob radio frequency required to operate the motorcycle has been certified in the following countries. Refer to Table 22.

Table 22. Key Fob Certification

COUNTRY	STAMP
Argentina	Mark: Harley-Davidson Model: 90300111 Number: SFOB-CNC ID: H-14900
Brazil	<div style="border: 1px solid black; padding: 10px; text-align: center;">  <p>MODELO: SFOB 2330-15-8065</p>  <p>(01) 07897843841111</p> </div> <p>Este equipamento opera em caráter secundário, istoé, não tem direito a proteção contra interferência prejudicial, mesmo de estações do mesmo tipo, e não pode causar interferência a sistemas operando em caráter primário</p>

Table 22. Key Fob Certification

COUNTRY	STAMP
Indonesia	41004/SDPPI/2015 PLG ID4927
Jordan	Type Approval No.: TRC/LPD/2015/164 Equipment Type: Low Power Device
Morocco	AGREE PAR L'ANRT MAROC Numero d'agrement: MR 10435 ANRT 2015 Date d'agrement: 04/15/2015
People's Republic of China	CMIIT ID: 2015DJ2698
South Africa	 <p>TA-2015/675 APPROVED</p>
Taiwan	 <p>CCAK15LP1370T2</p>

Table 22. Key Fob Certification

COUNTRY	STAMP
United Arab Emirates	TRA REGISTERED No: ER39542/15 DEALER No: DA37380/15
Ukraine	 <p>10094.002835-15</p> <p>Harley-Davidson цім стверджує, що радіопульт моделі L2C0056TR відповідає вимогам Технічного радіообладнання і телекомунікаційного (термінального) обладнання (Постанова від 24 червня 2009 р.) Декларація від знаходиться на сайті Harley-Davidson за 3700 W. Juneau Avenue, Milwaukee, Wisconsin 53201</p>

NOTES



OPERATING RECOMMENDATIONS

⚠ WARNING

Motorcycles are different from other vehicles. They operate, steer, handle and brake differently. Unskilled or improper use could result in loss of control, death or serious injury.

- Take a rider training course.
- Read owner's manual before riding, adding accessories or servicing.
- Wear a helmet, eye protection and protective clothing.
- Never tow a trailer.

(00556d)

- Take a rider training course.
- Read owner's manual before riding, adding accessories or servicing.
- Wear a helmet, eye protection and protective clothing.
- Never tow a trailer.

⚠ WARNING

Travel at speeds appropriate for road and conditions and never travel faster than posted speed limit. Excessive speed can cause loss of vehicle control, which could result in death or serious injury. (00008a)

NOTICE

Do not run the engine at extremely high RPM with clutch disengaged or transmission in neutral. Running an engine at high RPM can result in engine damage. (00177a)

NOTICE

Do not exceed the maximum safe RPM specified below under any conditions. Exceeding the maximum safe engine RPM can result in equipment damage. (00248a)

- The maximum recommended safe engine speed is 5500 rpm.
- Do not idle engine unnecessarily for more than a few minutes with motorcycle standing still.

NOTICE

Air-cooled engines require air movement over the cylinders and heads to maintain proper operating temperature. Extended periods of idling or parade duty can overheat the engine, resulting in serious engine damage. (00178a)

An engine running long distance at high speed must be given closer than ordinary attention to avoid overheating and possible engine damage.

This condition applies particularly to a motorcycle equipped with windshield and fairing.

⚠ WARNING

When riding on wet roads, brake efficiency and traction are greatly reduced. Failure to use care when braking, accelerating or turning on wet roads can cause loss of control, which could result in death or serious injury. (00041a)

⚠ WARNING

Continuous use of brake causes overheating and reduced efficiency, which could result in death or serious injury. (00042a)

⚠ WARNING

Do not tow a disabled motorcycle. Towing can adversely affect stability and handling, which could result in death or serious injury. (00017a)

NOTE

- *Have the engine checked regularly and keep it tuned.*
- *When descending a long, steep grade, downshift. Then use engine compression together with intermittent application of both brakes to slow the motorcycle.*
- *Idle speed may increase under some operating conditions, such as low battery, EITMS operation, or downshift to first gear.*

BREAK-IN RIDING RULES

The First 500 mi (800 km)

The sound design, quality materials, and workmanship that are built into your new Harley-Davidson will give you optimum performance right from the start.

To allow your engine to wear-in its critical parts, we recommend that you observe the riding rules provided below for the first 800 km (500 mi). Adherence to these suggestions will help to provide good future durability and performance.

1. During the first 80 km (50 mi) of riding, keep the engine speed below 3000 rpm in any gear. Do not lug the engine by running or accelerating at very low rpm, or by running at high rpm longer than needed for shifting or passing.
2. Up to 800 km (500 mi), vary the engine speed and avoid operating at any steady engine speed for long periods. Engine speed up to 3500 rpm in any gear is permissible.
3. Drive slowly and avoid fast starts at wide open throttle until the engine has warmed up.
4. Avoid lugging the engine by not running the engine at very low speeds in higher gears.
5. Avoid hard braking. Break-in new brakes by moderate use for the first 300 km (200 mi).

PRE-RIDING CHECKLIST

⚠ WARNING

Identify and understand the specific features of your vehicle. Failure to understand how these features affect the vehicle's operation can lead to an accident, which could result in death or serious injury. (00043b)

Before riding your motorcycle at any time, make a general inspection. Verify that it is in safe riding condition.

⚠ WARNING

Stop the engine when refueling or servicing the fuel system. Do not smoke or allow open flame or sparks near gasoline. Gasoline is extremely flammable and highly explosive, which could result in death or serious injury. (00002a)

⚠ WARNING

Avoid spills. Slowly open fuel filler cap. Do not fill above bottom of filler neck insert, leaving air space for fuel expansion. Secure filler cap after refueling. Gasoline is extremely flammable and highly explosive, which could result in death or serious injury. (00028b)

⚠ WARNING

Use care when refueling. Pressurized air in fuel tank can force gasoline to escape through filler tube. Gasoline is extremely flammable and highly explosive, which could result in death or serious injury. (00029a)

1. Verify there is sufficient supply of fresh fuel in the fuel tank. Add fuel if necessary.
2. Adjust mirrors to proper riding positions.
3. Check engine oil level. Add oil if necessary.

4. Check controls to make sure that they operate properly. Operate the front and rear brakes, parking brake, throttle, clutch and shifter. All controls should operate freely without binding.
5. Check steering for proper operation by turning the handlebars through the full operating range. Handlebars should turn smoothly without binding.

▲ WARNING

Be sure tires are properly inflated, balanced, undamaged, and have adequate tread. Inspect your tires regularly and see a Harley-Davidson dealer for replacements. Riding with excessively worn, unbalanced, improperly inflated, overloaded or damaged tires can lead to tire failure and adversely affect stability and handling, which could result in death or serious injury. (00014b)

6. Check tire condition, pressure and motorcycle loading. Incorrect pressure and excessive loading can lead to tire or wheel failure, and can affect handling and stability. Refer to Table 15 for correct inflation pressure.
7. Check and adjust rear suspension pressure for intended load. See Table 19.

▲ WARNING

Be sure headlamp, tail and stop lamp and turn signals are operating properly before riding. Poor visibility of rider to other motorists can result in death or serious injury. (00478b)

8. Test all switches and lights for proper operation.
9. Check for any fuel, oil, coolant or hydraulic fluid leaks.
10. Check drive belt for wear or damage.
11. Service your motorcycle as necessary.

STARTING THE ENGINE

General

NOTICE

The engine should be allowed to run slowly for 15-30 seconds. This will allow the engine to warm up and let oil reach all surfaces needing lubrication. Failure to comply can result in engine damage. (00563b)

Rolling the throttle before starting the motorcycle is unnecessary.

Starting

⚠ WARNING

Shift transmission to neutral before starting engine to prevent accidental movement, which could result in death or serious injury. (00044a)

1. Turn ignition switch to IGNITION position. Do not roll the throttle.
2. See Figure 41. With security fob present, set the OFF/RUN switch to RUN.

NOTE

The check engine lamp will light when the ignition is turned on. You will hear the fuel pump run for a short time as it pressurizes the fuel system.

3. Raise the jiffy stand (required on international models).
4. Squeeze the clutch lever in against the hand grip. Shift transmission to neutral.

NOTE

To activate the starting system, the clutch interlock circuitry requires that the clutch be disengaged. The clutch lever must be pulled in against the left handlebar grip and/or the transmission must be shifted to the neutral position (with the

green neutral lamp lit). Apply the brake to prevent movement of the motorcycle.

5. Press the starter button to start the motorcycle.

NOTE

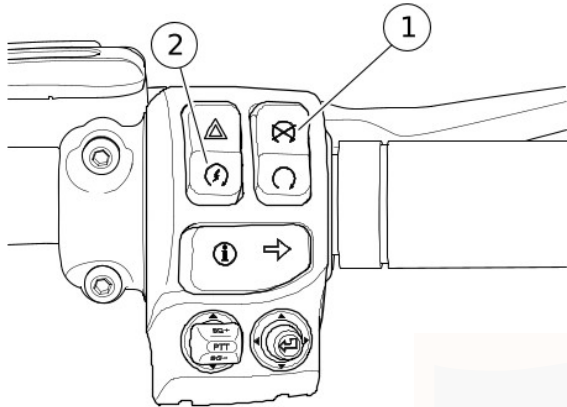
To allow enhanced lubrication of the engine before start, the engine will crank a number of turns before starting.

6. When the engine has started, you can operate your motorcycle as you normally would after raising the jiffy stand.

NOTE

The ABS indicator lamp will remain on until vehicle is moving approximately 5 km/h (3 mph).

om01750



1. Engine off/run switch
2. Engine start switch

Figure 41. Right Hand Control

STARTING AFTER TIPOVER

⚠ WARNING

If tip occurs, check all controls for proper operation. Restricted control movement can adversely affect the performance of the brakes, clutch or ability to shift, which could result in loss of vehicle control and death or serious injury. (00350a)

NOTE

- If the motorcycle is tipped over, the word "tIP" appears in the odometer window and four-way flashers activate.
- The engine cannot start until the tip condition is reset.
- The ignition must be reset to turn four-way flashers off.

1. Set motorcycle upright.
2. Cycle the ignition switch and the OFF/RUN switch to OFF.
3. Wait 10 seconds.
4. Cycle the ignition switch to IGNITION.
5. Cycle the OFF/RUN switch to RUN.
6. Push hazard switch to turn four-way flashers off.

ENGINE IDLE TEMPERATURE MANAGEMENT SYSTEM

The Engine Idle Temperature Management System (EITMS) can provide limited cooling of the rear cylinder for riders who frequently find themselves in prolonged idle conditions or traffic congestion.

Operation

When engine temperature reaches a predetermined point, the EITMS turns off the rear cylinder fuel injector. The rear cylinder becomes an air pump which works to cool the engine.

EITMS activates (rear cylinder turns off) when **all** of the following conditions are met:

- Ambient temperature or engine temperature exceeds temperature threshold.
- Throttle control is at idle.
- Vehicle speed under 2 km/h (1 mph).
- Engine speed under 1200 rpm.

NOTE

EITMS does not activate within the first four minutes after starting the vehicle.

EITMS disables (rear cylinder begins firing again) if **any one** of the following occurs:

- Ambient temperature or engine temperature falls below temperature threshold.
- Throttle control is above idle.
- Vehicle speed exceeds 3 km/h (2 mph).
- Engine speed exceeds 1350 rpm.
- Clutch is released with vehicle in gear.
- Engaging reverse.

When the engine is in EITMS operation, you may notice a difference in idle cadence. Additionally, there may be a unique exhaust odor. Both are normal conditions.

Enabling/Disabling EITMS

Enabled: The EITMS engine cooling feature automatically activates whenever the vehicle comes to a complete stop and is idling during elevated temperature conditions. When the feature is enabled, it may not activate under cool riding conditions.

Disabled: The EITMS feature is not active under any conditions.

EITMS can be enabled or disabled by performing the following procedure.

1. Turn ignition switch ON. Push the engine OFF/RUN switch on the right handlebar to the RUN position (the motorcycle may be running or not running).
2. Push the throttle to roll-off position and hold.
3. See Figure 6. After approximately 3 seconds, the cruise indicator lamp will either flash green (EITMS enabled) or orange (EITMS disabled).
4. Repeat the procedure as necessary to enable or disable EITMS.

NOTE

- A flashing cruise lamp indicates the EITMS setting. A solid (non-flashing) lamp indicates the cruise control setting.
- The EITMS setting remains in effect until it is changed by the rider or dealer. There is no need to reconfigure EITMS at each startup.

STOPPING THE ENGINE

1. Stop the engine by turning OFF the engine stop switch on right handlebar.
2. Turn OFF the ignition switch. If the engine should be stalled or stopped in any way, turn off the ignition switch at once to prevent battery discharge.
3. Shift the transmission into gear and apply the parking brake.

SHIFTING GEARS

Shifting while Stopped, Engine Off

Squeeze in the clutch lever to fully disengage the clutch. Gears may not engage because the transmission shafts are not turning and shifter components are not lined up. Rock the motorcycle backward and forward while lightly pressing on the shift lever.

Starting from a Stop

NOTE

Release parking brake before riding motorcycle. See **CONTROLS AND INDICATORS > PARKING BRAKE** (Page 66).

NOTICE

The clutch must be fully disengaged before attempting a gear shift. Failure to fully disengage the clutch can result in equipment damage. (00182a)

NOTE

Always start the engine with the transmission in neutral. Always start forward motion in first gear.

1. With motorcycle engine running and parking brake released, pull the clutch hand lever in against handlebar grip to fully disengage clutch.
2. Press the gear shift lever down to end of its travel and release. The transmission is now in first gear.
3. Ease out the clutch lever and at the same time, gradually open the throttle.

Upshift (Acceleration)

See Figure 42. Engage the next higher gear when the motorcycle reaches the shifting speed. Refer to Table 23.

Table 23. Recommended Upshift Speeds

GEAR CHANGE	mph	km/h
First to second	15	25
Second to third	25	40
Third to fourth	35	55
Fourth to fifth	45	70
Fifth to sixth	55	85

1. Close the throttle.
2. Disengage the clutch (pull the clutch lever in).
3. Lift the gear shift lever up to the end of its travel and release.
4. Ease out the clutch lever and gradually open the throttle.

5. Repeat the previous steps to engage remaining gears.

NOTE

- Disengage the clutch completely before each gear change.
- Partially close the throttle so the engine will not drag when the clutch lever is released.

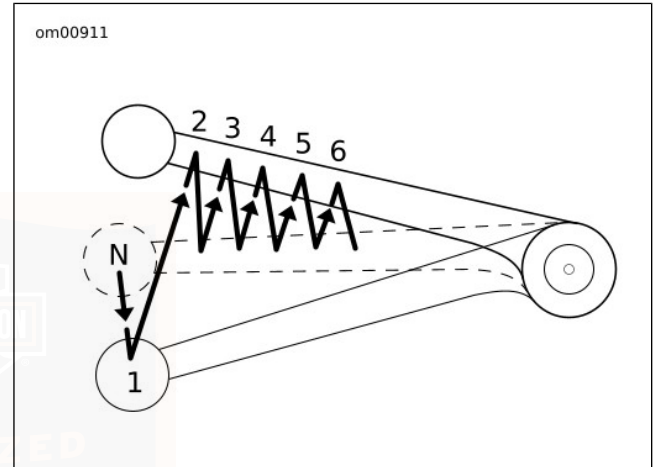


Figure 42. Shifting Sequence: Upshift

Downshift (Deceleration)

▲ WARNING

Do not downshift at speeds higher than those listed. Shifting to lower gears when speed is too high can cause the rear wheel to lose traction and lead to loss of vehicle control, which could result in death or serious injury. (00045b)

See Figure 43. When engine speed decreases, as when climbing a hill or slowing for a turn, shift to the next lower gear. Refer to Table 24.

Table 24. Recommended Downshift Speeds

GEAR CHANGE	mph	km/h
Sixth to fifth	50	80
Fifth to fourth	40	65
Fourth to third	30	50
Third to second	20	30
Second to first	10	15

NOTE

The shifting points shown in the table are recommendations. Vehicle owners may determine that their own individual shifting patterns may differ from those stated and are additionally appropriate for individual riding styles.

1. Close the throttle.
2. Disengage the clutch (pull the clutch lever in).
3. Press the gear shift lever down to the end of its travel and release.
4. Ease out the clutch lever and gradually open the throttle.
5. Repeat the previous steps to engage remaining gears.

NOTE

- *Disengage the clutch completely before each gear change.*
- *Partially close the throttle so the engine will not drag when clutch lever is released).*

NOTICE

Shift to neutral before stopping engine. Shifting mechanism can be damaged by shifting gears while engine is stopped. (00183a)

The gear shifter mechanism permits shifting the transmission to neutral from either first or second gear.

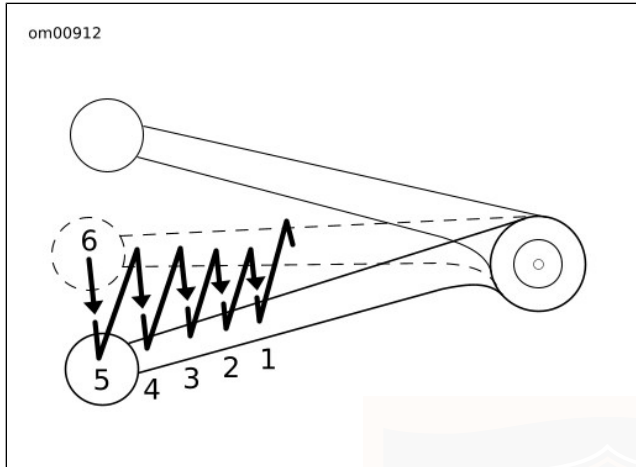


Figure 43. Shifting Sequence: Downshift
REVERSE OPERATION

The vehicle has an electric reverse motor. The reverse motor uses battery power to move the vehicle in reverse with the engine running and the transmission in neutral.

The reverse motor is designed for light load, short duration use. Excessive loads can cause the reverse circuit breaker to trip when:

- Going up steep inclines.

- Long-distance travel in reverse.
- Attempted operation with the brakes or parking brake applied.
- Attempted operation while the vehicle is against resistance (such as a curb).

To reset the reverse circuit breaker, see MAINTENANCE AND LUBRICATION > REVERSE MOTOR CIRCUIT BREAKER (Page 188).

Light application of the brakes during reverse, backing into something then trying to pull away, or backing up a steep incline and then allowing the vehicle to coast the other direction may cause the reverse drive to not disengage. If this occurs, a loud whine is heard when pulling forward and considerable drag is felt as if the parking brake is applied.

In the event this happens, stop immediately and rock the vehicle slightly to disengage the drive. If the reverse drive remains engaged and the vehicle is driven in a forward direction, reverse motor damage may occur.

NOTE

- *Always come to a complete stop before placing the vehicle in forward gear or enabling the reverse motor.*
- *Engine idle speed may increase to provide additional battery charging during reverse operation.*

1. Bring the vehicle to a complete stop using front and/or rear brake. If parked, check that the parking brake is released.
2. See Figure 44. With the vehicle started and in neutral, press and hold the reverse switch in the left side controls until the reverse lamp illuminates. **FLHTCUTG:** The lamp in the tachometer indicates that the reverse is enabled. See Figure 6. **FLRT:** The lamp in the speedometer indicates that the reverse is enabled. See Figure 7. Release the reverse switch. The neutral lamp turns off when the reverse lamp turns on.

NOTE

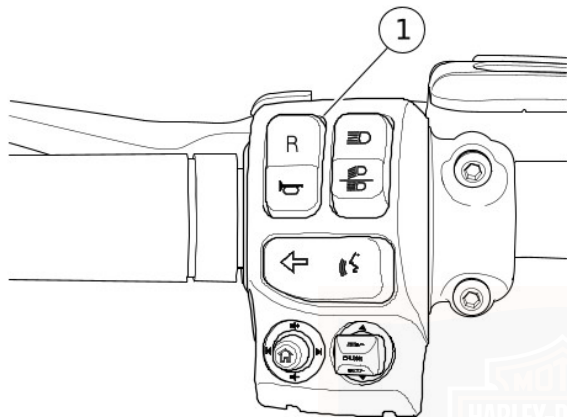
The lamp will not come on or will flash three times to indicate that the conditions for operating the electric reverse are not met. If the lamp will not illuminate or continues to flash, verify that the vehicle is started, in neutral and the circuit breaker is not tripped.

3. Check that area behind vehicle is clear.
4. Press and hold the reverse switch a second time to operate the electric reverse motor. The motorcycle continues moving in reverse as long as the reverse switch is held down. The reverse automatically turns off when the engine is stopped or when the motorcycle is shifted into a forward gear.

NOTE

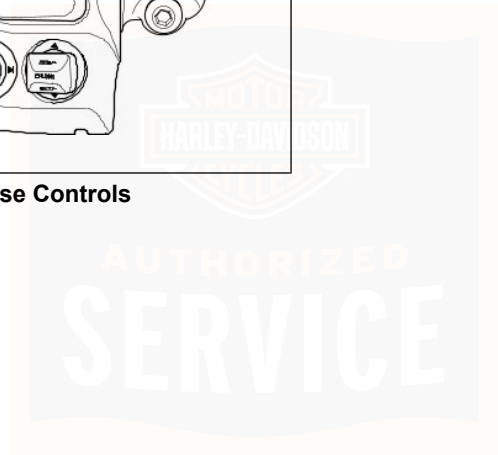
- *Surface incline affects reverse vehicle speed. When backing down a hill, use both front and rear brakes to control reverse speed. Do not exceed walking speed. Be prepared to slow or stop the vehicle.*
 - *The rear of the vehicle is wider than a typical motorcycle. Check for proper clearance when maneuvering.*
 - *If the reverse motor does not operate, see MAINTENANCE AND LUBRICATION > REVERSE MOTOR CIRCUIT BREAKER (Page 188) to reset the circuit breaker.*
5. Release the reverse switch. Brake as necessary to stop the vehicle.
 6. Shift into a forward gear and ride normally or turn ignition to OFF and apply the parking brake.

om01743



1. Reverse switch

Figure 44. Reverse Controls



NOTES



SAFE OPERATING MAINTENANCE

⚠ WARNING

Perform the service and maintenance operations as indicated in the regular service interval table. Lack of regular maintenance at the recommended intervals can affect the safe operation of your motorcycle, which could result in death or serious injury. (00010a)

⚠ WARNING

If you operate your motorcycle under adverse conditions (severe cold, extreme heat, very dusty environment, very bad roads, through standing water, etc.), you should perform the regular maintenance intervals more frequently to ensure the safe operation of your motorcycle. Failure to maintain your motorcycle could result in death or serious injury. (00094a)

NOTICE

When lifting a motorcycle using a jack, be sure jack contacts both lower frame tubes where down tubes and lower frame tubes converge. Never lift by jacking on cross-members, oil pan, mounting brackets, components or housings. Failure to comply can cause serious damage resulting in the need to perform major repair work. (00586d)

Keep the motorcycle maintained according to MAINTENANCE SCHEDULING > SERVICE RECORDS (Page 243). Frequently inspect the motorcycle between regular service intervals and after periods of storage to determine if additional maintenance is necessary.

Check the following items:

1. Tires for correct pressure, excessive wear or any signs of tire damage.
2. Belt for proper tension, wear or damage.
3. Brakes, steering and throttle for responsiveness and freedom from binding.
4. Brake fluid level and condition. Hydraulic lines and fittings for leaks. Coolant level if applicable. Also, check brake pads and discs for wear.
5. Cables for fraying or crimping and free operation.
6. Engine oil and primary chaincase/transmission fluid levels.
7. Headlamp, tail lamp, brake lamp and turn signals for proper operation.

BREAK-IN MAINTENANCE

NOTE

The performance of new motorcycle initial service is required to keep your new motorcycle warranty in force and for proper emissions system operation.

After a new motorcycle has been ridden 1,600 km (1000 mi), visit an authorized Harley-Davidson dealer for initial service. Refer to MAINTENANCE SCHEDULING > SERVICE RECORDS (Page 243).

DISPOSAL AND RECYCLING

Help protect our environment! Many communities maintain facilities for recycling used fluids, plastics and metals. Dispose of or recycle used oil, lubricants, fuel, coolant, brake fluid and batteries in accordance with local regulations. Many Harley-Davidson parts and accessories are made of plastics and metals which can also be recycled.

ENGINE LUBRICATION

▲ CAUTION

Prolonged or repeated contact with used motor oil may be harmful to skin and could cause skin cancer. Promptly wash affected areas with soap and water. (00358b)

▲ CAUTION

If engine oil is swallowed, do not induce vomiting. Contact a physician immediately. In case of contact with eyes, immediately flush with water. Contact a physician if irritation persists. (00357d)

NOTICE

Do not switch lubricant brands indiscriminately because some lubricants interact chemically when mixed. Use of inferior lubricants can damage the engine. (00184a)

Engine oil is a major factor in the performance and service life of the engine. Use the proper grade of oil for the lowest temperature expected before the next oil change. Refer to Table 25.

This motorcycle was originally equipped with GENUINE HARLEY-DAVIDSON H-D 360 MOTORCYCLE OIL 20W50. If operation under extreme cold or heat are expected, refer to Table 25 for alternative choices.

If H-D 360 or SYN3 is not available, add oil certified for diesel engines. Acceptable designations include: CH-4, CI-4 and CJ-4. The preferred viscosities, in descending order are: 20W50, 15W40 and 10W40.

At the first opportunity, see an authorized dealer to change back to 100 percent Harley-Davidson oil.

Table 25. Recommended Engine Oils

TYPE	VISCOSITY	LOWEST AMBIENT TEMPERATURE	COLD-WEATHER STARTS BELOW 50 °F (10 °C)
Screamin' Eagle SYN3 Full Synthetic Motorcycle Lubricant	SAE 15W50	Above -1 °C (30.2 °F)	Excellent
Screamin' Eagle SYN3 Full Synthetic Motorcycle Lubricant	SAE 20W50	Above -1 °C (30.2 °F)	Excellent
Genuine Harley-Davidson H-D 360 Motorcycle Oil	SAE 20W50	Above 4 °C (39.2 °F)	Good
Genuine Harley-Davidson H-D 360 Motorcycle Oil	SAE 50	Above 16 °C (60.8 °F)	Poor
Genuine Harley-Davidson H-D 360 Motorcycle Oil	SAE 60	Above 27 °C (80.6 °F)	Poor

ENGINE OIL LEVEL

▲ CAUTION

Prolonged or repeated contact with used motor oil may be harmful to skin and could cause skin cancer. Promptly wash affected areas with soap and water. (00358b)

NOTICE

Do not overfill oil. Doing so can result in oil carryover to the air cleaner leading to equipment damage and/or equipment malfunction. (00190b)

NOTE

See Figure 46. When checking oil level, use the gauge marked FULL HOT VEHICLE UPRIGHT.

Oil Level Cold Check

1. For pre-ride inspection, park vehicle on level ground.
2. See Figure 45. Remove filler plug/dipstick. Wipe off the dipstick. Insert the dipstick and tighten into the fill spout.

NOTE

Oil level on a cold engine should never be above the midway point.

3. See Figure 46. Remove filler plug/dipstick. Using the gauge marked FULL HOT VEHICLE UPRIGHT on the dipstick, verify the oil level. The correct oil level should register midway (2) between the ADD QT and FULL HOT marks on the dipstick.
4. If oil level is at or below the ADD QT mark, add only enough oil to bring the level to the ADD QT mark.
5. Start and idle engine for two minutes. Turn off engine.
6. Check oil level. Add only enough to bring level midway between the ADD QT (1) and FULL HOT (3).

Oil Level Hot Check

NOTICE

Do not allow hot oil level to fall below Add/Fill mark on dipstick. Doing so can result in equipment damage and/or equipment malfunction. (00189a)

NOTE

- *The engine requires a longer warm-up period in colder weather.*

- *Perform engine oil level hot check only when engine is at normal operating temperature.*

1. Run motorcycle until engine oil is at normal operating temperature (93.4 °C (200 °F) or higher).
2. Park vehicle on level ground. Allow engine to idle for 1-2 minutes. Turn off engine.
3. See Figure 45. Remove filler plug/dipstick and wipe off the dipstick. Insert the dipstick and tighten into the fill spout.
4. See Figure 46. Remove filler plug/dipstick. Using the gauge marked FULL HOT VEHICLE UPRIGHT on the dipstick, verify the oil level. The level should be between the ADD QT (1) and FULL HOT (3) marks. Add oil as necessary to bring the level to the FULL HOT mark on the dipstick. Do not overfill.

NOTE

Use only recommended oil specified in MAINTENANCE AND LUBRICATION > ENGINE LUBRICATION (Page 118). Refer to Table 25.

5. Start engine and carefully check for oil leaks around drain plug and oil filter.

NOTE

- *Check engine oil level at each complete fuel refill.*

- Change oil at specified intervals in normal service at warm or moderate temperatures. Refer to MAINTENANCE SCHEDULING > SERVICE RECORDS (Page 243).
- Oil change intervals should be more frequent in cold weather or severe operating conditions. See MAINTENANCE SCHEDULING > SERVICE RECORDS (Page 243).

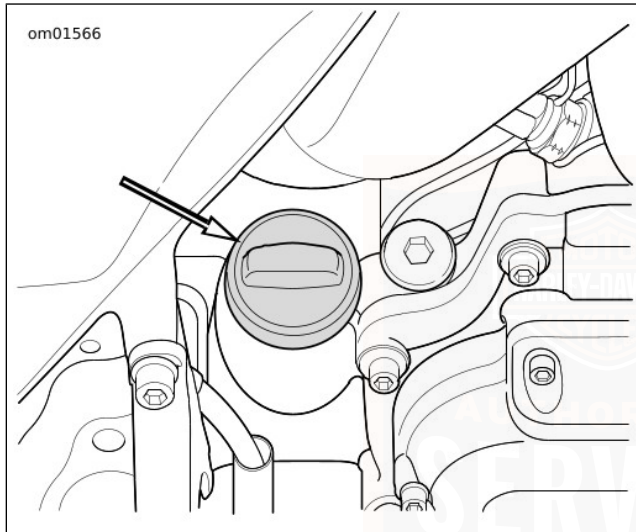


Figure 45. Engine Oil Filler Plug

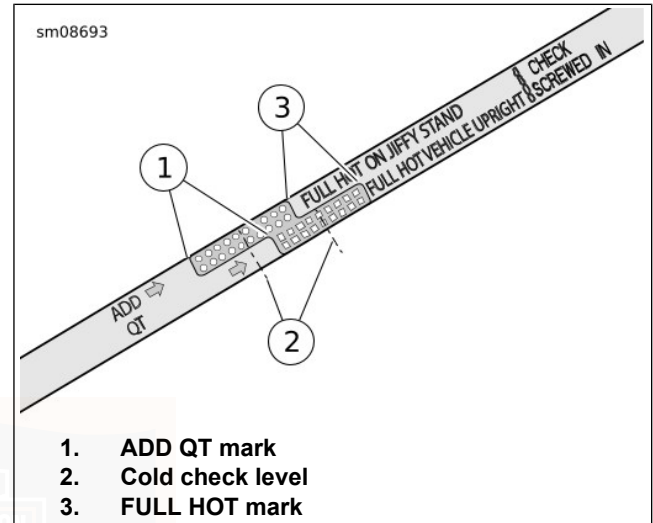


Figure 46. Engine Oil Dipstick

CHANGE OIL AND OIL FILTER

⚠ WARNING

Be sure that no lubricants or fluids get on tires, wheels or brakes when changing fluid. Traction can be adversely affected, which could result in loss of control of the motorcycle and death or serious injury. (00047d)

NOTICE

Do not switch lubricant brands indiscriminately because some lubricants interact chemically when mixed. Use of inferior lubricants can damage the engine. (00184a)

- Change engine oil at the first 1,600 km (1000 mi) for a **new** engine. After the initial service, change oil at regular intervals in normal service at warm or moderate temperatures. Refer to MAINTENANCE SCHEDULING > SERVICE RECORDS (Page 243).
 - Change oil at more frequent intervals in cold weather or severe operating conditions. See MAINTENANCE AND LUBRICATION > LOW TEMPERATURE LUBRICATION (Page 124).
1. Run motorcycle until engine is at normal operating temperature. Turn off engine.
 2. Remove filler plug/dipstick.

NOTE

Replace drain plug O-ring.

3. See Figure 47. Remove the oil drain plug (2) and O-ring. Allow oil to drain completely.

NOTE

Use P&A Oil Catcher (Part No. 62700199) or equivalent to keep drain oil off crankcase when removing oil filter. Residual drain oil could falsely appear as a crankcase oil leak at a later time.

4. Remove the oil filter using oil filter wrench and hand tools. Do not use with air tools.
Special Tool: OIL FILTER WRENCH (94863-10)
Special Tool: OIL FILTER WRENCH (94686-00)
5. Clean the oil filter mount flange.
6. Clean any residual oil for crankcase and transmission housing.
7. See Figure 48. Install **new** oil filter.
 - a. Lubricate gasket with a thin film of clean engine oil.
 - b. Install **new** oil filter.
 - c. Hand-tighten oil filter one-half to three-quarters of a turn after gasket first contacts filter mounting surface. Do NOT use oil filter wrench for installation.

8. Install engine oil drain plug and **new** O-ring.

Torque: 19–28.5 N·m (14–21 ft-lbs) *Engine oil drain plug*

NOTE

Use the proper grade of oil for the lowest temperature expected before the next oil change. Refer to Table 25 for recommended oil.

9. Add an initial volume of engine oil. Refer to Table 26.

Table 26. Initial Oil Fill

ITEM	QUANTITY
Engine oil initial fill	3.8 L (4.0 qt)

10. Verify proper oil level. See MAINTENANCE AND LUBRICATION > ENGINE OIL LEVEL (Page 119).
- Perform engine oil level **cold check**.
 - Start engine and carefully check for oil leaks around drain plug and oil filter.
 - Perform engine oil level **hot check**.

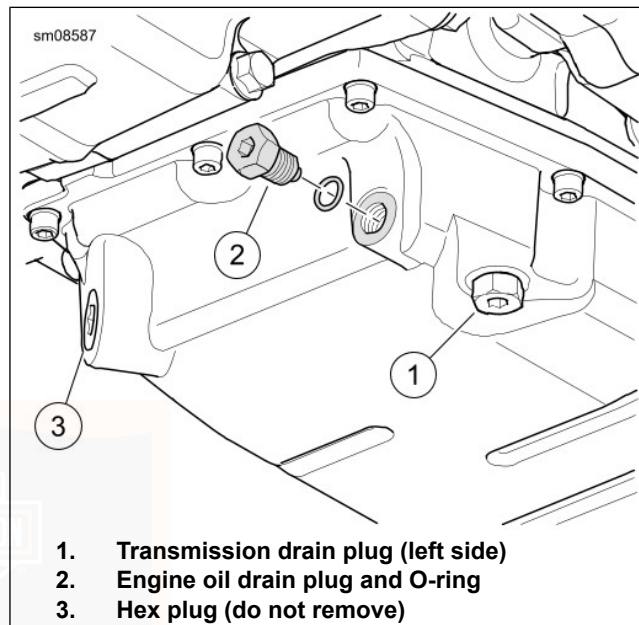


Figure 47. Oil Pan

1124336

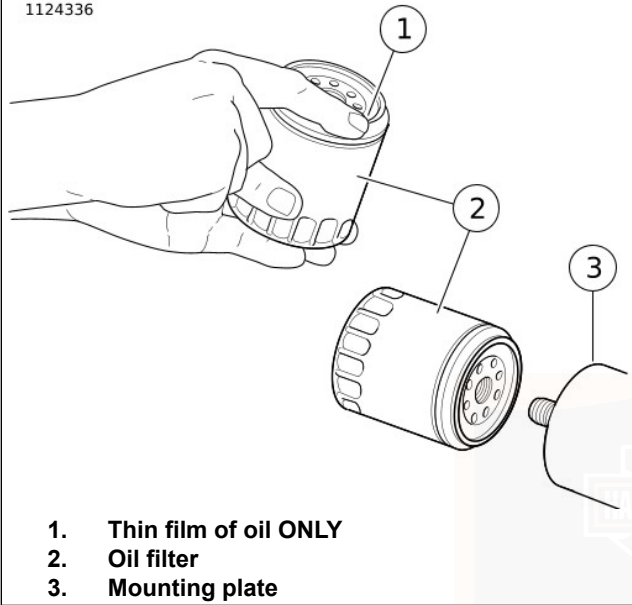


Figure 48. Applying Thin Oil Film

LOW TEMPERATURE LUBRICATION

Change engine oil often in colder climates. If motorcycle is frequently ridden less than 24 km (15 mi), in ambient temperatures below 16 °C (60 °F), reduce oil change intervals to 2,400 km (1500 mi).

NOTE

Lower ambient temperatures require more frequent oil changes.

Water vapor is a normal by-product of combustion . During cold-weather operation, some water vapor condenses to liquid form on the cool surfaces inside the engine. In freezing weather, this water becomes slush or ice. If the engine is not warmed to operating temperature, accumulated slush or ice blocks the oil lines and causes engine damage. Over time, water will accumulate, mix with the engine oil and form a sludge that is harmful to the engine.

If the engine is allowed to warm to normal operating temperature, most of the water evaporates and exits through the crankcase breather.

OIL COOLER

Models that are not Twin-Cooled have an oil cooler. Some also have a oil cooler fan. Keep the cooler and fan clean and free from dirt and debris to maintain maximum cooling efficiency.

CHECKING TRANSMISSION LUBRICANT LEVEL

NOTE

Check transmission fluid with the motorcycle at ambient temperature. Inspect transmission dipstick O-ring. Replace if necessary.

1. Park motorcycle on a level surface.
2. See Figure 49. Remove transmission filler plug/dipstick. Wipe dipstick clean.
3. Install filler plug/dipstick until O-ring contacts the case. Do not tighten.
4. See Figure 50. Remove filler plug/dipstick. Check lubricant level on dipstick. Proper oil level is between the Add (A) (1) and Full (F) (2) marks.
5. If lubricant level is low, add recommended Harley-Davidson lubricant to bring level to between the A mark and the F mark. Refer to Table 27.
6. Install filler plug/dipstick. Tighten to specification.

Torque: 2.8–8.5 N·m (25–75 in-lbs) *Transmission dipstick*

Table 27. Transmission Lubricant

MODEL	LUBRICANT
All	FORMULA+ TRANSMISSION AND PRIMARY CHAIN LUBRICANT or SCREAMIN' EAGLE SYN3 FULL SYNTHETIC MOTORCYCLE LUBRICANT 20W50

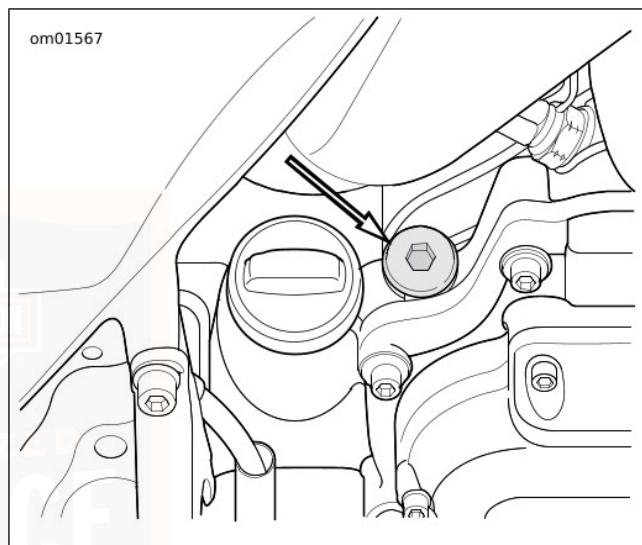
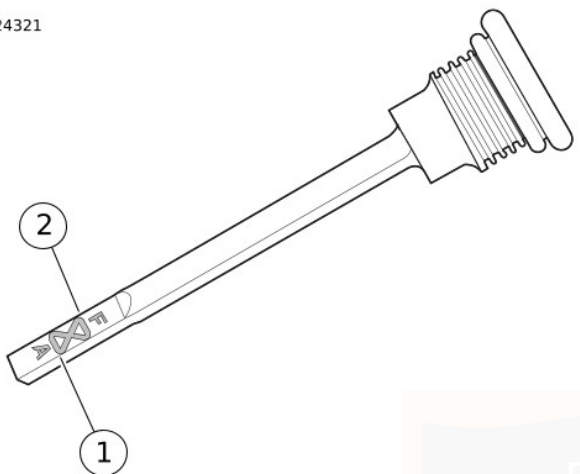


Figure 49. Transmission Filler Plug/Dipstick Location

1124321



1. Add (A)
2. Full (F)

Figure 50. Transmission Lubricant Level

CHANGE TRANSMISSION LUBRICANT

1. See Figure 49. Remove transmission filler plug/dipstick.

⚠ WARNING

Be sure that no lubricants or fluids get on tires, wheels or brakes when changing fluid. Traction can be adversely affected, which could result in loss of control of the motorcycle and death or serious injury. (00047d)

2. See Figure 51. Remove transmission drain plug. Drain transmission.
3. Clean and inspect drain plug and O-ring.

NOTICE

Do not over-tighten filler or drain plug. Doing so could result in a lubricant leak. (00200b)

4. Install drain plug with **new** O-ring. Tighten. Do not over-tighten.

Torque: 19–28.5 N·m (14–21 ft-lbs) *Transmission drain plug*

5. Fill the transmission with recommended Harley-Davidson lubricant. Refer to Table 27.

Volume: 0.83 L (28 fl oz)

6. Check lubricant level. Add enough lubricant to bring the level between the add (A) and full (F) marks. See MAINTENANCE AND LUBRICATION > CHECKING TRANSMISSION LUBRICANT LEVEL (Page 125).

7. Install filler plug/dipstick. Tighten.

Torque: 2.8–8.5 N·m (25–75 **in-lbs**) *Transmission filler plug/dipstick*

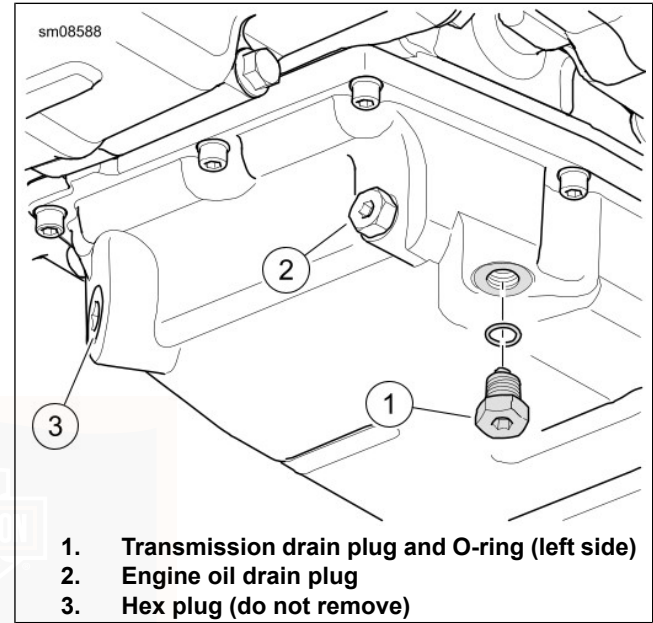


Figure 51. Transmission Drain

CHANGE PRIMARY CHAINCASE LUBRICANT

1. Run motorcycle until engine is at normal operating temperature. Turn off engine.

▲ WARNING

Be sure that no lubricants or fluids get on tires, wheels or brakes when changing fluid. Traction can be adversely affected, which could result in loss of control of the motorcycle and death or serious injury. (00047d)

2. Secure motorcycle upright (not leaning on jiffy stand) on a level surface.
3. See Figure 52. Drain primary chaincase.
4. Clean drain plug magnet. If plug has excessive debris, inspect the condition of chaincase components.
5. Install drain plug and **new** O-ring. Tighten.

Torque: 19–28.5 N·m (14–21 ft-lbs) *Primary chaincase drain plug*

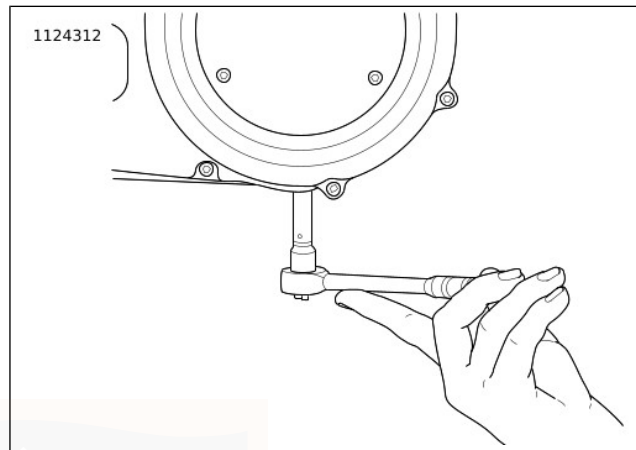


Figure 52. Removal/Installation of Chaincase Drain Plug

6. See Figure 54. Remove screws (3) and clutch inspection cover (2).
7. Remove seal (1). Wipe oil from groove in chaincase cover and mounting surface.

NOTICE

Do not overfill the primary chaincase with lubricant. Overfilling can cause rough clutch engagement, incomplete disengagement, clutch drag and/or difficulty in finding neutral at engine idle. (00199b)

8. Add lubricant.
 - a. Pour specified amount of FORMULA+ TRANSMISSION AND PRIMARY CHAINCASE LUBRICANT or SCREAMIN' EAGLE SYN3 FULL SYNTHETIC MOTORCYCLE LUBRICANT 20W50 through clutch inspection cover opening. Refer to Table 28.
 - b. See Figure 53. Proper level is approximately at bottom of pressure plate OD.

Table 28. Primary Chaincase Lubricant

ITEM	DRY FILL ⁽²⁾		WET FILL ⁽³⁾	
	Oz	L	Oz	L
Amount ⁽¹⁾	34	1.0	30	0.9
(1) Amount is approximate. Fill to bottom of pressure plate OD with vehicle upright. (2) Cover was removed and installed. (3) Lubricant was drained through the drain plug only.				

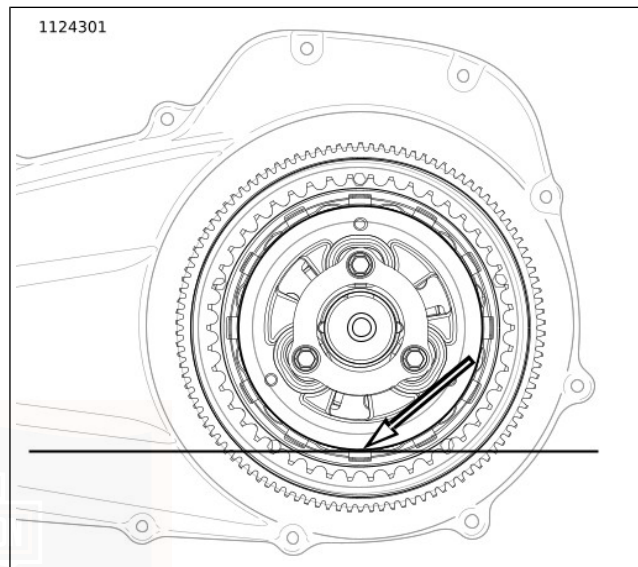


Figure 53. Primary Lubricant Level

9. Install clutch inspection cover and **new** seal:
 - a. Thoroughly wipe all lubricant from cover mounting surface and groove in chaincase cover.

- b. See Figure 54. Position **new** seal (1) in groove in clutch inspection cover (2). Press each of the nubs on seal into the groove.
- c. Secure clutch inspection cover (2) with screws with captive washers (3).
- d. See Figure 55. Tighten in sequence shown to 9.5–12.2 N·m (84–108 **in-lbs**).

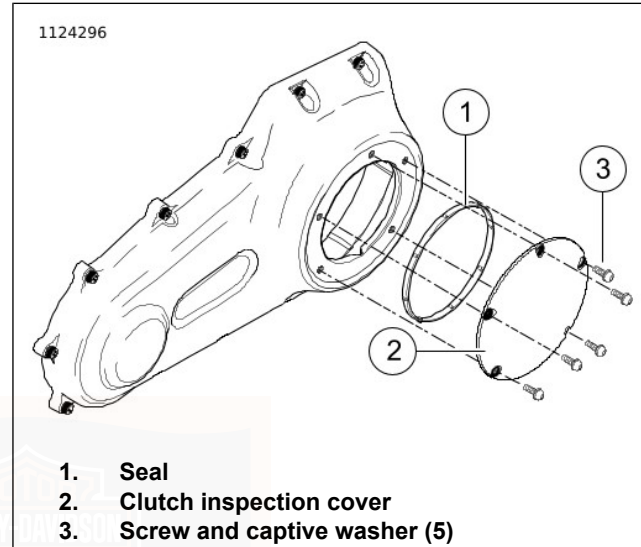


Figure 54. Clutch Cover (Typical)

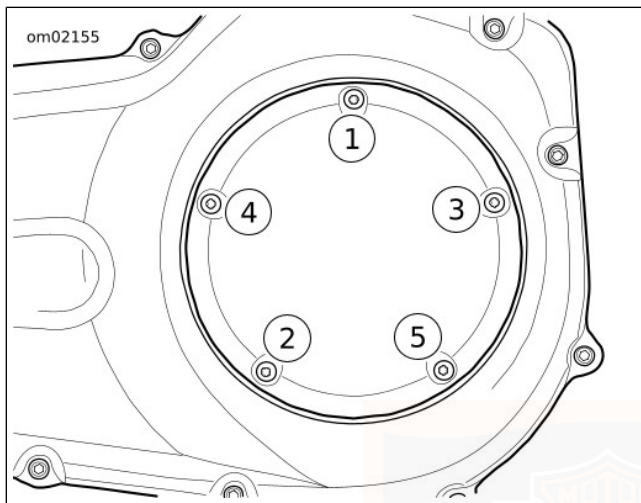


Figure 55. Clutch Cover Tightening Sequence

COOLING SYSTEM

▲ WARNING

Coolant mixture contains toxic chemicals, which may be fatal if swallowed. If swallowed, do not induce vomiting; call a physician immediately. Use in a well ventilated area. Irritation to skin or eyes can occur from vapors or direct contact. In case of skin or eye contact, flush thoroughly with water and go to hospital, if necessary. Dispose of used coolant according to federal, state and local regulations. (00092a)

▲ CAUTION

At operating temperature, radiators and oil coolers contain hot fluids. Contact with a radiator or oil cooler can result in minor or moderate burns. (00141b)

NOTICE

Use only Genuine Harley-Davidson Extended Life Antifreeze and Coolant. Use of other coolants/mixtures may lead to motorcycle damage. (00179c)

GENUINE HARLEY-DAVIDSON EXTENDED LIFE ANTIFREEZE AND COOLANT is pre-diluted and ready to use full strength. It provides temperature protection to -36.7°C (-34°F). DO NOT add water.

NOTICE

De-ionized water must be used with the antifreeze in the cooling system. Hard water can cause scale accumulation in water passages which reduces cooling system efficiency, leading to overheating and motorcycle damage. (00195b)

If GENUINE HARLEY-DAVIDSON EXTENDED LIFE ANTIFREEZE AND COOLANT is unavailable, a mixture of de-ionized water and ethylene glycol-based antifreeze may be used. At the first opportunity, change back to GENUINE HARLEY-DAVIDSON EXTENDED LIFE ANTIFREEZE AND COOLANT.

Checking Coolant Level

NOTE

Check coolant level with engine cold and motorcycle on level ground.

1. Remove access panel from lower right fairing. Pry the center top and pull out to release retainers.

NOTE

See Figure 56. The coolant bottle has two lines. Use the angled line (2) when the motorcycle is leaning on the jiffy stand.

2. See Figure 56. Check that coolant level in coolant bottle is at or slightly above the "COLD" line (1).

NOTE

- *Do not remove the pressure cap (4). Fill the coolant bottle by removing the rubber plug (3).*
 - *If the coolant bottle is empty when the engine is cold, inspect the system for leaks. Repair as needed. Fill system with coolant and perform bleed procedure. See a Harley-Davidson dealer for service.*
3. If level is below "COLD" line on tank, remove rubber plug (3). Add GENUINE HARLEY-DAVIDSON EXTENDED LIFE ANTIFREEZE AND COOLANT until fluid level reaches, or is slightly above the "COLD" line.
 4. Install rubber plug.
 5. Install access panel.

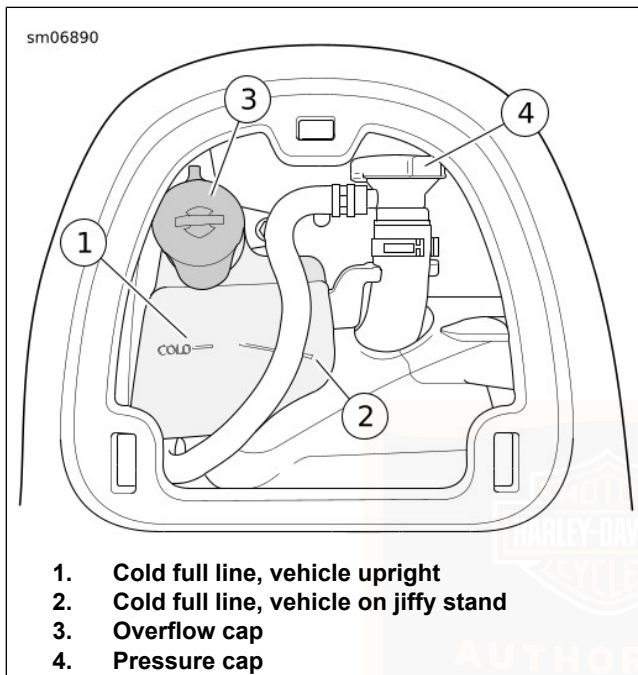


Figure 56. Coolant Level

Clean Radiators

NOTICE

Clean the inlet surface of the radiator regularly. Leaves and other debris can collect on the radiator surface and degrade radiator performance which could lead to overheating and motorcycle damage. (00197d)

1. See Figure 57. Remove outer grille from lower fairing.
 - a. Carefully pry on curved edge of panel to release latches.
 - b. Remove from fascia.
2. Clean debris from radiator fins.
3. Install outer grille.

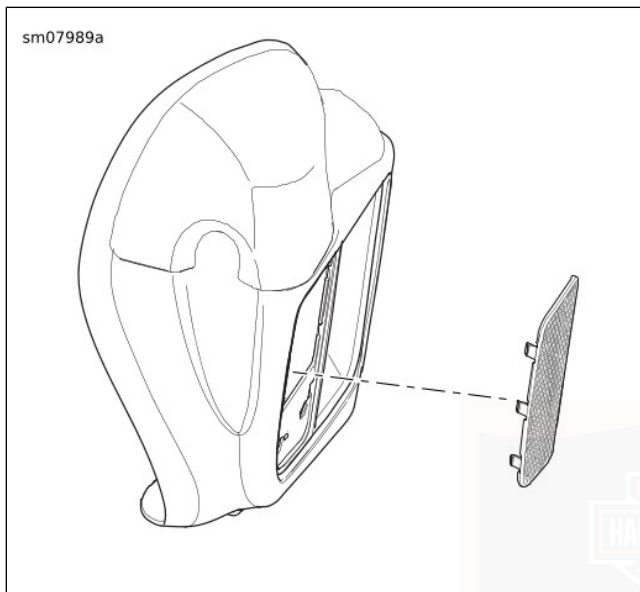


Figure 57. Lower Fairing Grille Panel

Checking Coolant Freeze Point

See a HARLEY-DAVIDSON dealer for coolant freeze point test.

CHECK DRIVE BELT DEFLECTION

NOTE

Always use BELT TENSION GAUGE (PART NUMBER: HD-35381-A) to measure belt deflection. Failure to use tension gauge may cause under-tensioned belts. Loose belts can fail due to "ratcheting" (jumping a tooth) which causes tensile cord crimping and breakage.

Check deflection:

- As part of pre-ride inspection.
- At every scheduled service interval.
- With transmission in neutral.
- With motorcycle at ambient temperature.
- With motorcycle upright or on jiffy stand with rear wheel on the ground.
- With the vehicle unladen: no rider, no luggage and empty saddlebags.

⚠ WARNING

To prevent accidental vehicle start-up, which could cause death or serious injury, remove main fuse before proceeding. (00251b)

1. Disarm security system. Remove main fuse. See MAINTENANCE AND LUBRICATION > FUSES AND RELAYS (Page 185).
2. Shift transmission to neutral.

NOTE

*When adjusting a **new** belt, rotate rear wheel a few revolutions prior to setting the tension.*

3. See Figure 58. Measure belt deflection using BELT TENSION GAUGE (PART NUMBER: HD-35381-A):
 - a. Slide O-ring (4) to zero mark (3).
 - b. **Models equipped with belt deflection window:** Fit belt cradle (2) against bottom of drive belt in line with belt deflection window.
 - c. **All other models:** Fit belt cradle (2) against bottom of drive belt halfway between drive pulleys.
 - d. Press upward on knob (6) until O-ring slides down to 4.54 kg (10 lb) mark (5) and hold steady.
4. Measure belt deflection:
 - a. **Models equipped with belt deflection window:** See Figure 60. Measure belt deflection as viewed through belt deflection viewing window while holding gauge steady. Each deflection graduation is approximately 1.6 mm (1/16 in).

- b. **All other models:** See Figure 59. Measure amount of deflection (4) while holding gauge steady.

NOTE

Set to the lower (tightest) specification if the belt has less than 1,600 km (1000 mi).

5. Compare with specifications. Refer to Table 29. If not within specifications, see a Harley-Davidson dealer.
6. Install main fuse.

Table 29. Belt Deflection

MODELS	in	mm
All models	3/8-7/16	9.5-11.1

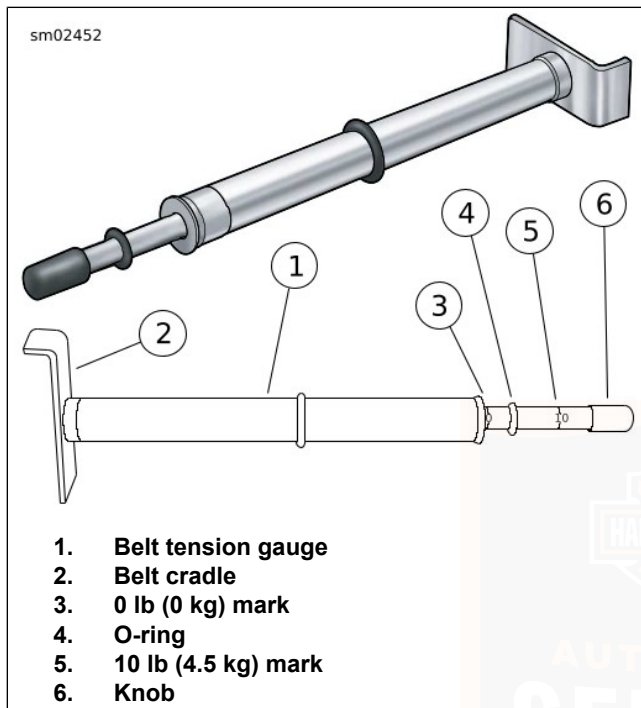


Figure 58. Belt Tension Gauge

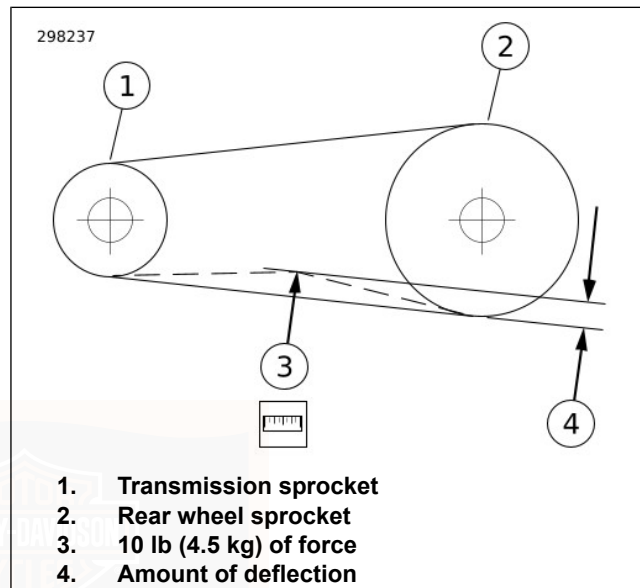


Figure 59. Checking Belt Deflection

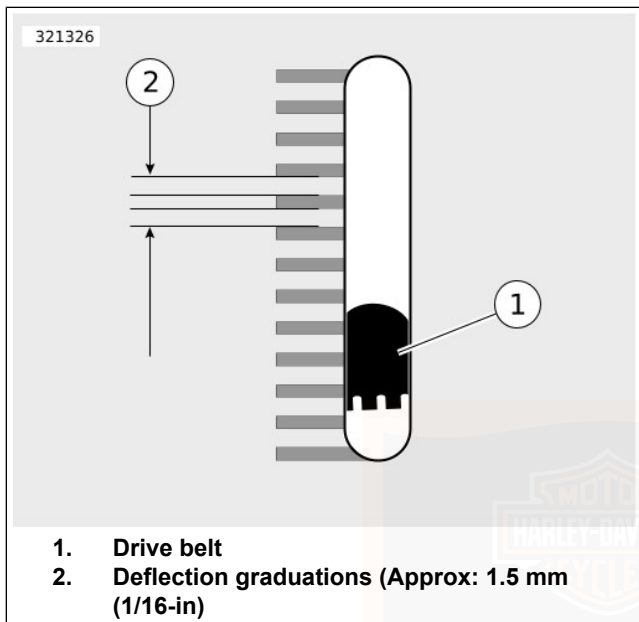


Figure 60. Belt Deflection Window

VEHICLE ALIGNMENT

Check vehicle alignment at regular intervals. This includes whenever the rear drive belt is adjusted. Check the stabilizer link and engine mounts for wear according to Service Manual

procedures at proper intervals. Refer to MAINTENANCE SCHEDULING > SERVICE RECORDS (Page 243).

Vehicle alignment is important. Vehicle stability is adversely affected if wheels are out of alignment. Inspect both front to rear alignment and lateral (side to side) alignment. Major alignment of the front and rear wheels are partially controlled by one stabilizer link at the top of the engine and alignment of the rear axle. See a Harley-Davidson dealer for this service.

▲ WARNING

Only a Harley-Davidson dealer should perform vehicle alignment. Improper alignment can adversely affect stability and handling, which could result in death or serious injury. (00060a)

CHASSIS LUBRICATION

Refer to MAINTENANCE SCHEDULING > SERVICE RECORDS (Page 243). Inspect and lubricate the following components according to the maintenance schedule. Use HARLEY LUBE for components unless otherwise specified. See the service manual for more lubrication instructions.

If motorcycle is operated on muddy or dusty roads, clean and lubricate more frequently.

- Front brake lever.
- Clutch control hand lever.

- Foot shift lever pivot.
- Rear brake lever pivot.
- Hinges (such as footrest hinges) as required.
- Locks (luggage and ignition switch) as required.

OIL APPLICATIONS

Lubricate motorcycle at regular intervals, particularly after washing motorcycle or driving in wet weather. Refer to MAINTENANCE SCHEDULING > SERVICE RECORDS (Page 243).

FRONT FORK OIL

Have a Harley-Davidson dealer service the front fork at the specified intervals Refer to MAINTENANCE SCHEDULING > SERVICE RECORDS (Page 243). If fork does not appear to be working properly or an appreciable amount of oil leakage develops, see a Harley-Davidson dealer. If there is insufficient oil in either side of fork, the rebound action will be incorrect.

HYDRAULIC CLUTCH

Clutch fluid should never need to be added or removed as the result of normal wear.

At every service, check moisture content of fluid using DOT 4 BRAKE FLUID MOISTURE TESTER (PART NUMBER: HD-48497-A). Follow the instructions included with tool.

Flush clutch system and replace DOT 4 fluid every two years or sooner if brake fluid test shows moisture content is 3% or greater.

If the clutch does not operate properly, refer to the service manual or see a Harley-Davidson dealer for service.

HYDRAULIC LIFTERS

The hydraulic lifters are self-adjusting. They automatically adjust length to compensate for engine expansion and valve mechanism wear. This keeps the valve mechanism free of lash when the engine is running.

When starting an engine which has been turned off even for a few minutes, the valve mechanism may be slightly noisy until the hydraulic units completely refill with oil. If at any time the valve mechanism becomes abnormally noisy, other than for a short period immediately after engine is started, it is an indication that one or more of the hydraulic units may not be functioning properly.

Always check the engine oil level first since normal circulation of oil through the engine is necessary for proper operation of the hydraulic lifters.

If engine oil is at the proper level, the lifters may not be functioning properly because of dirt in the oil supply passages leading to the lifter units. See a Harley-Davidson dealer for service.

STEERING DAMPER

Inspect the hydraulic steering damper for leaks at specified intervals. Elevate the front wheel slightly and turn handlebars through their full range of steering travel several times to check for smooth damper action. Check all damper mounting fasteners for tightness. Refer to MAINTENANCE SCHEDULING > SERVICE RECORDS (Page 243).

The steering damper must be replaced or rebuilt at specified intervals. If steering damper leaks or is damaged, see a Harley-Davidson dealer.

STEERING HEAD BEARINGS

▲ WARNING

Adjustments to steering head bearings should be performed by a Harley-Davidson dealer. Improperly adjusted bearings can adversely affect handling and stability, which could result in death or serious injury. (00051b)

Service the steering head bearings at proper intervals. Refer to MAINTENANCE SCHEDULING > SERVICE RECORDS (Page 243).

With motorcycle front end raised off the floor, make sure that the front fork turns freely without any binding or interference. Make sure that there is no appreciable front to rear fork

movement indicating excessive bearing looseness. If necessary, adjust the steering head bearings according to the service manual procedure. See a Harley-Davidson dealer.

BRAKES

Inspect brake fluid level and check brake pads and discs/rotors for wear at proper intervals. Refer to MAINTENANCE SCHEDULING > SERVICE RECORDS (Page 243).

At every service, check moisture content of fluid using DOT 4 BRAKE FLUID MOISTURE TESTER (PART NUMBER: HD-48497-A). Follow the instructions included with tool.

Flush brake system and replace DOT 4 fluid every two years or sooner if brake fluid test shows moisture content is 3% or greater.

Brake Fluid

▲ WARNING

Clean reservoir filler cap or cover before removing. Use only DOT 4 brake fluid from a sealed container. Contaminated fluid can adversely affect braking or clutch disengagement, which could result in death or serious injury. (00504d)

▲ WARNING

Contact with DOT 4 brake fluid can have serious health effects. Failure to wear proper skin and eye protection could result in death or serious injury.

- **If inhaled:** Keep calm, remove to fresh air, seek medical attention.
- **If on skin:** Remove contaminated clothing. Rinse skin immediately with plenty of water for 15-20 minutes. If irritation develops, seek medical attention.
- **If in eyes:** Wash affected eyes for at least 15 minutes under running water with eye lids held open. If irritation develops, seek medical attention.
- **If swallowed:** Rinse mouth and then drink plenty of water. Do not induce vomiting. Contact Poison Control. Immediate medical attention required.
- **See Safety Data Sheet (SDS) for more details available at sds.harley-davidson.com**

(00240e)

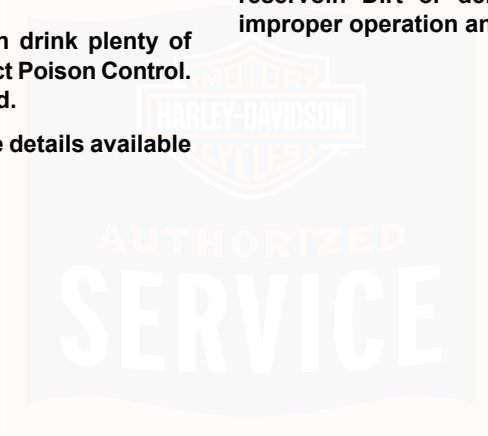
NOTICE

DOT 4 brake fluid will damage painted and body panel surfaces it comes in contact with. Always use caution and protect surfaces from spills whenever brake work is performed. Failure to comply can result in cosmetic damage. (00239c)

- If DOT 4 brake fluid contacts painted surfaces, IMMEDIATELY flush area with clear water.

NOTICE

Do not allow dirt or debris to enter the master cylinder reservoir. Dirt or debris in the reservoir can cause improper operation and equipment damage. (00205c)



1. See Figure 61 and Figure 62. Check fluid level in brake master cylinder reservoir. Place vehicle on a flat level surface. Turn handlebar so master cylinder is level.
 - a. Sight glass appears dark if fluid is present. If the front sight glass remains clear, see a Harley-Davidson dealer.
 - b. **FLHTCUTG**: The rear fluid level must be between the MIN and MAX lines.
 - c. **FLRT**: Check level in rear sight glass. Level must be above MIN mark. If the rear sight glass remains clear, see a Harley-Davidson dealer.

NOTE

- *If the brake system is not leaking, there should never be a need to add fluid. If the fluid level is low, the pads are probably worn and must be replaced. By replacing the pads, the fluid level rises.*
 - *Use only DOT 4 brake fluid and replace the brake fluid every two years or sooner if moisture content is 3% or greater. See a Harley-Davidson dealer.*
2. Verify front brake hand lever and rear brake foot pedal have a firm feel when applied. If brakes are not firm, the brake system must be bled.

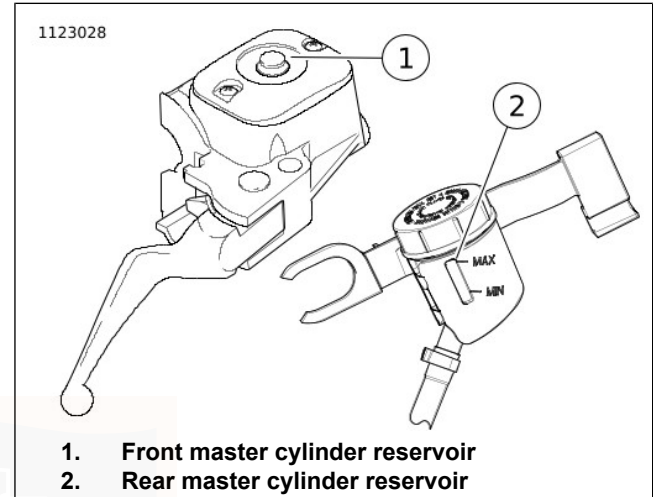


Figure 61. Brake Fluid Sight Glass: FLHTCUTG

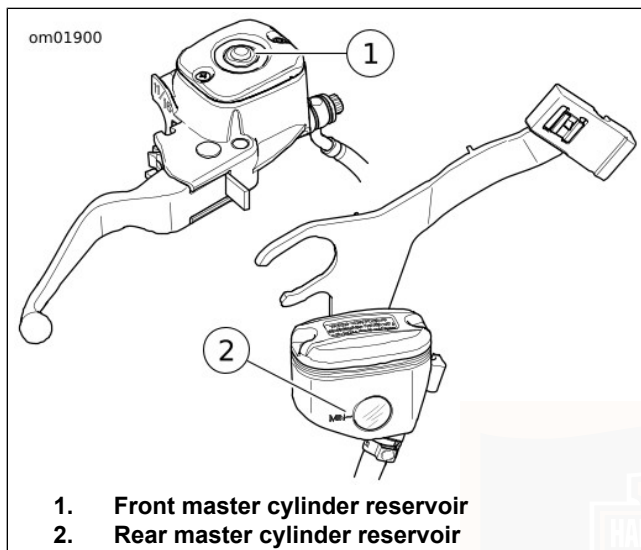


Figure 62. Brake Fluid Sight Glass: FLRT

Brake Pads

⚠ WARNING

Inspect brake pads for wear at service maintenance intervals. If you ride under adverse conditions (steep hills, heavy traffic, etc.), inspect more frequently. Excessively worn brake pads can lead to brake failure, which could result in death or serious injury. (00052a)

⚠ WARNING

Always replace brake pads in complete sets for correct and safe brake operation. Improper brake operation could result in death or serious injury. (00111a)

⚠ WARNING

Brakes are a critical safety component. Contact a Harley-Davidson dealer for brake repair or replacement. Improperly serviced brakes can adversely affect brake performance, which could result in death or serious injury. (00054a)

⚠ WARNING

Perform routine scheduled brake maintenance. Lack of maintenance at recommended intervals can adversely affect brake performance, which could result in death or serious injury. (00055a)

▲ WARNING

Be sure wheel and brake caliper are aligned. Riding with a misaligned wheel or brake caliper can cause the brake disc to bind and lead to loss of control, which could result in death or serious injury. (00050a)

Harley-Davidson has provided your new motorcycle with the optimum brake pad friction material available. It is selected to give the best performance possible under dry, wet and high operating temperature conditions. It exceeds all regulatory requirements currently in effect. However, during some braking conditions you may experience noise. This is normal for this friction material.

1. Inspect for grit and debris buildup at caliper piston areas. Clean if necessary.
 - a. Rinse area with warm soapy water.
 - b. Dry using low-pressure compressed air.
2. See Figure 63. Check the brake disc or rotor as it spins. The disc/rotor should run true in the brake caliper.
3. Measure the thickness of the brake pad friction material. The pads may not necessarily wear evenly. Check each pad.

NOTE

The rear brake pads have tabs to indicate brake pad wear. Rear pads can be visually inspected for wear without rear wheels removed.

4. See Figure 64. Compare the end of tabs (2) to the surface of the outboard caliper bracket (1). If tab is flush or below surface, see a Harley-Davidson dealer.
5. Replace brake pads before friction material reaches minimum thickness. Always replace brake pads in pairs. See a Harley-Davidson dealer. Refer to Table 30.

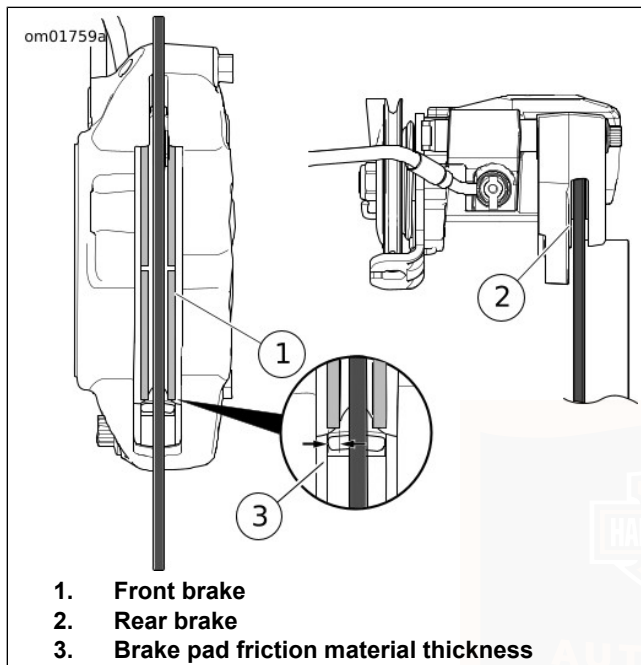


Figure 63. Brake Friction Material

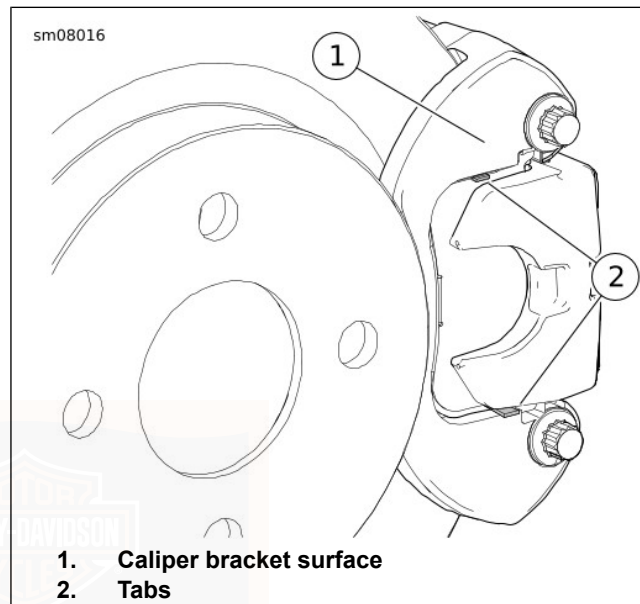


Figure 64. Rear Brake Pad Inspection

Table 30. Minimum Brake Pad Friction Material Thickness

BRAKE	in	mm
Front	0.040	1.02
Rear	0.040	1.02

PARKING BRAKE

As brake pads begin to wear in, the parking brake pedal will move further when the parking brake is applied. Inspect and adjust the parking brake:

- At regular intervals. Refer to MAINTENANCE SCHEDULING > SERVICE RECORDS (Page 243).
- Periodically after extensive rear brake usage.
- After replacement of rear brake pads or other rear brake service.

NOTE

The following inspection and adjustment procedures can be used to adjust the parking brake between service intervals. For regular service intervals, see a Harley-Davidson dealer or service manual for complete maintenance instructions.

Inspection

1. Park vehicle (with normal load) on a steep incline. Turn ignition switch to OFF and shift transmission into first gear.
2. Apply front brake and cover rear brake pedal with right foot.

3. See Figure 21. With the left foot, firmly push down the parking brake pedal until it cannot be pushed any further. The brake gives a number of clicks before reaching its maximum position.
4. With parking brake applied, release the front brake and gradually pull in the clutch lever.
5. The rear brakes should hold securely and the vehicle should remain still. See ADJUSTMENT to adjust parking brake as necessary.

Adjustment

1. Place vehicle on a flat level surface.
2. Release parking brake. Verify the vehicle moves easily when pushed by hand.
3. See Figure 65. Pull the boot back. Loosen jamnut.
4. Push the parking brake pedal to the **first** click. Attempt to roll the vehicle.
 - a. If some resistance is felt, go to next step.
 - b. If wheels turn freely, release parking brake and lengthen adjuster. Check and repeat until resistance is felt.

5. Push the parking brake pedal two more clicks to the **third** click. Vehicle should not move when pushed. If wheels turn, release parking brake and lengthen adjuster. Check and repeat until wheels will not turn.
6. Release the parking brake pedal. Verify vehicle moves freely.

NOTE

Apply a coat of grease to the adjuster threads to ease future adjustments.

7. Hold adjuster and tighten jamnut to .
Torque: 8.1–13.6 N·m (72–120 **in-lbs**) *Parking brake adjuster jamnut*
8. Install the boot over the adjuster.
9. See INSPECTION to check performance of the adjusted parking brake.

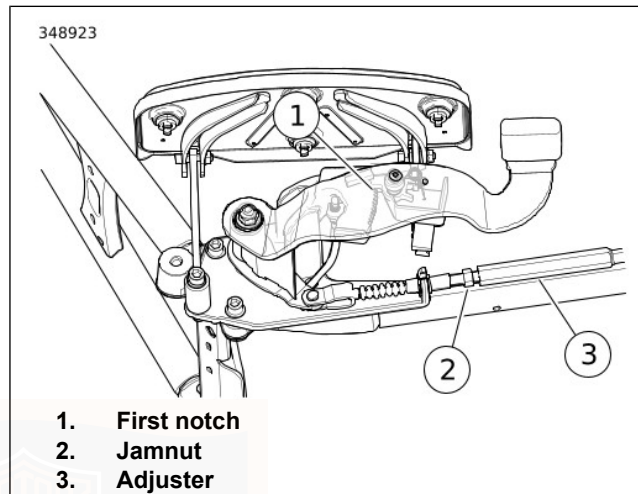


Figure 65. Parking Brake Adjustment

TIRES

Refer to Table 15 for tires and pressures.

- Keep tires properly inflated.
- Follow tire data for correct cold tire inflation pressure.
- Check tire pressures when tires are cold.

⚠ WARNING

Be sure tires are properly inflated, balanced, undamaged, and have adequate tread. Inspect your tires regularly and see a Harley-Davidson dealer for replacements. Riding with excessively worn, unbalanced, improperly inflated, overloaded or damaged tires can lead to tire failure and adversely affect stability and handling, which could result in death or serious injury. (00014b)

⚠ WARNING

Match tires, tubes, rim strips or seals, air valves and caps to the correct wheel. Contact a Harley-Davidson dealer. Mismatching can lead to tire damage, allow tire slippage on the wheel or cause tire failure, which could result in death or serious injury. (00023c)

⚠ WARNING

Only install original equipment tire valves and valve caps. A valve, or valve and cap combination, that is too long or too heavy can strike adjacent components and damage the valve, causing rapid tire deflation. Rapid tire deflation can cause loss of vehicle control, which could result in death or serious injury. (00281a)

Check tires for correct pressure, excessive wear or any signs of tire damage at least weekly if in daily use. Check before each ride if only ridden occasionally.

Use only Harley-Davidson specified tires. Other tires may not fit correctly and could adversely affect stability, handling and performance. Refer to Table 15.

⚠ WARNING

Tires are a critical safety component. Contact a Harley-Davidson dealer for tire repair or replacement. Improper tire service can adversely affect stability and handling, which could result in death or serious injury. (00057a)

⚠ WARNING

Replace punctured or damaged tires. In some cases, small punctures in the tread area may be repaired from within the removed tire by a Harley-Davidson dealer. Speed should NOT exceed 80 km/h (50 mph) for the first 24 hours after repair, and the repaired tire should NEVER be used over 129 km/h (80 mph). Failure to follow this warning could lead to tire failure and result in death or serious injury. (00015b)

▲ WARNING

Striking an object, such as a curb or pothole can cause internal tire damage. If an object is struck, have the tire inspected immediately inside and out by a Harley-Davidson dealer. A damaged tire can fail while riding and adversely affect stability and handling, which could result in death or serious injury. (00058b)

TIRE REPLACEMENT

Inspection

▲ WARNING

Be sure tires are properly inflated, balanced, undamaged, and have adequate tread. Inspect your tires regularly and see a Harley-Davidson dealer for replacements. Riding with excessively worn, unbalanced, improperly inflated, overloaded or damaged tires can lead to tire failure and adversely affect stability and handling, which could result in death or serious injury. (00014b)

▲ WARNING

Replace tire immediately with a Harley-Davidson specified tire when wear bars become visible or only 1 mm (1/32 in) tread depth remains. Riding with a worn tire could result in death or serious injury. (00090c)

Harley-Davidson tires have wear bars that run horizontally across the tread. When a tire is worn to the point the tread wear indicator bars become visible on the tread surfaces, or 0.8 mm (1/32 in) tread depth remains, the tire can:

- Be more easily damaged leading to tire failure.
- Provide reduced traction.
- Adversely affect stability and handling.

See Figure 66, Figure 67 and Figure 70. Arrows on tire sidewalls pinpoint location of wear bar indicators.

See Figure 68, Figure 69 and Figure 71. Always replace tires before the tread wear indicator bars appear.

When To Replace Tires

▲ WARNING

Harley-Davidson recommends the use of its specified tires. Harley-Davidson vehicles are not designed for operation with non-specified tires, including snow, moped and other special-use tires. Use of non-specified tires can adversely affect stability, handling or braking and lead to loss of vehicle control, which could result in death or serious injury. (00024d)

New tires are needed when:

1. Tread wear indicator bars become visible on the tread surfaces.
2. Tire cords or fabric become visible through cracked sidewalls, snags or deep cuts.
3. Bumps, bulges or slits in the tire.
4. Punctures, cuts or other damage to the tire that cannot be repaired.

NOTE

Refer to Table 15 for the specified replacement tires.

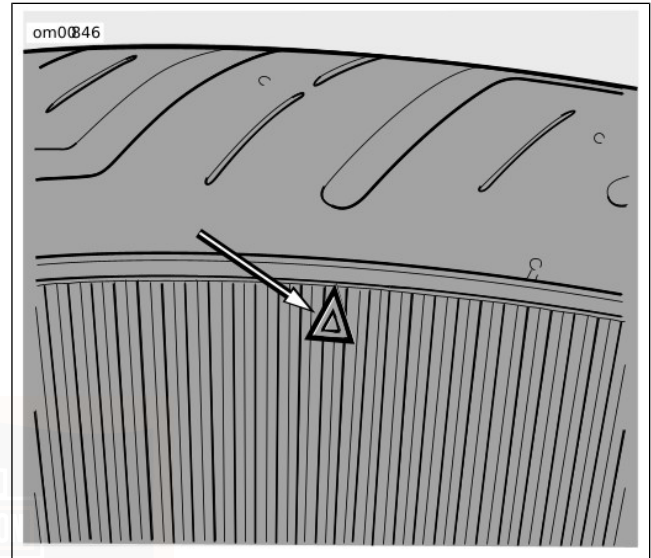
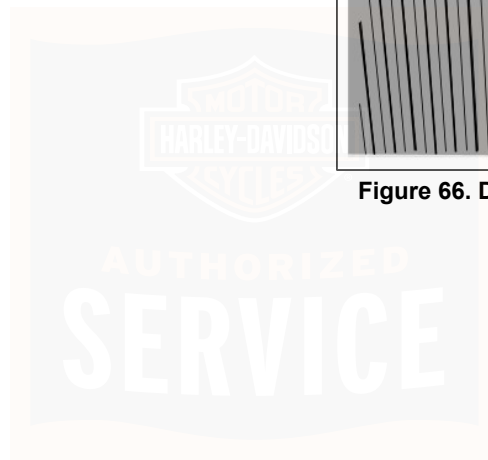


Figure 66. Dunlop Sidewall Tread Wear Indicator Bar Locator



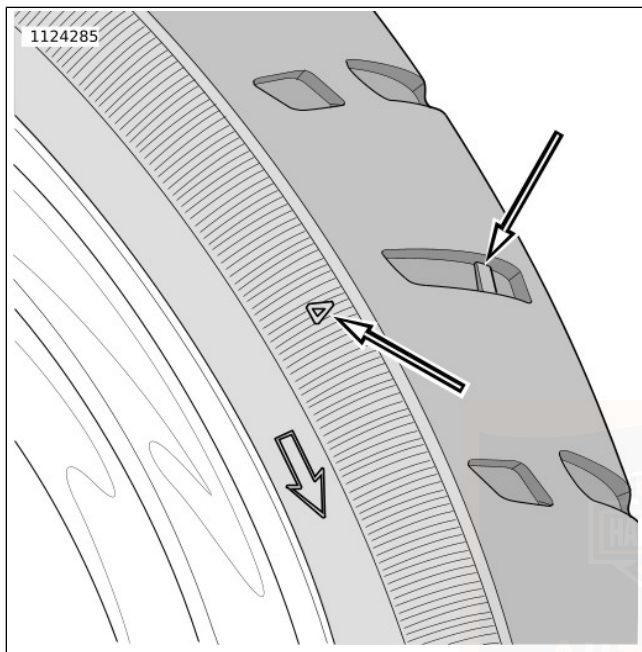


Figure 67. Tire Sidewall Wear Bar Locator: FLRT

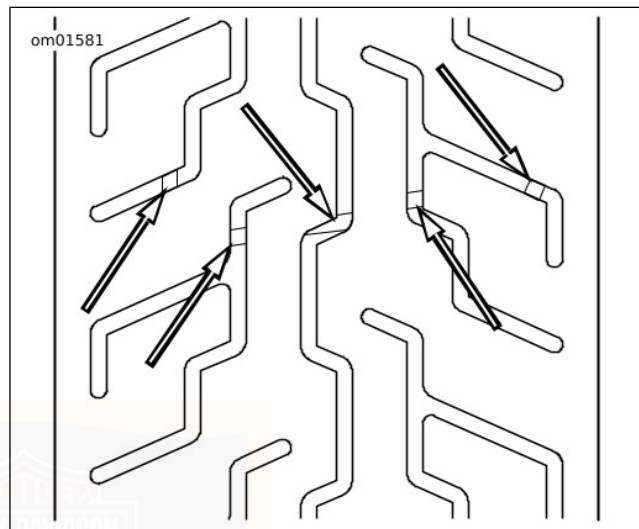


Figure 68. Dunlop Tread Wear Indicator Bar Appearance

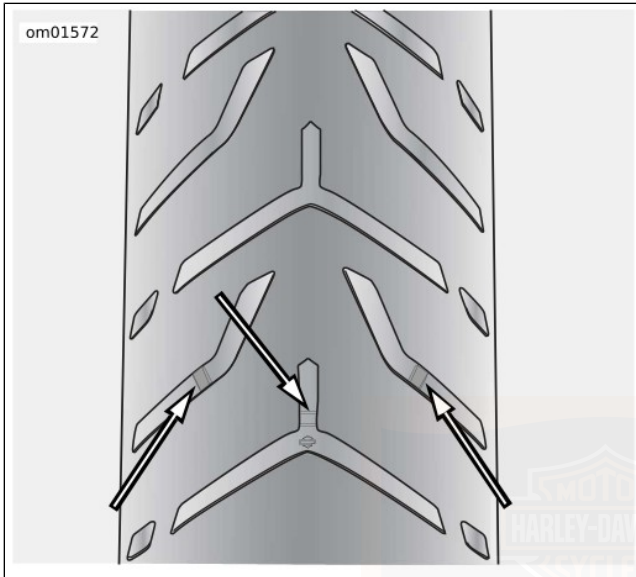


Figure 69. Wear Bar Appearance: FLRT

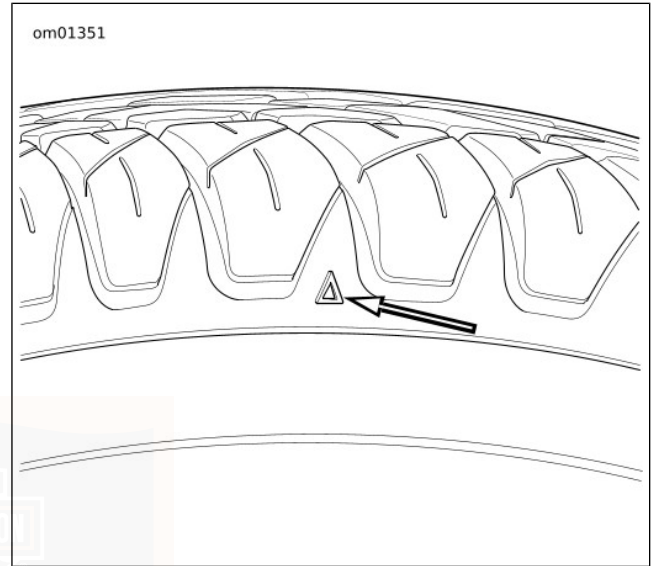
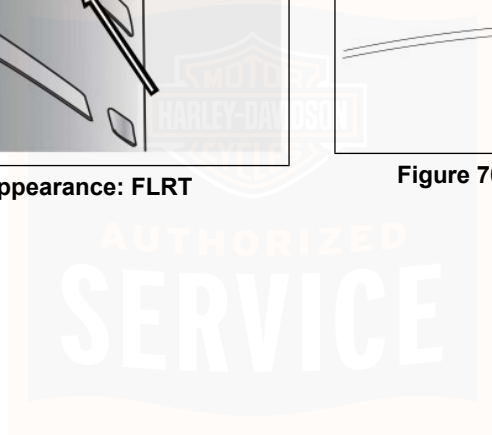


Figure 70. Rear Tire Tread Wear Bar Indicator



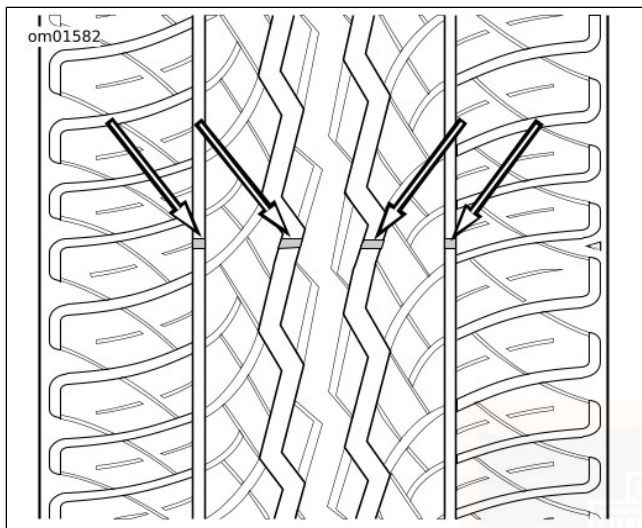


Figure 71. Dunlop Rear Tire Wear Bar Appearance

SHOCK ABSORBERS

Inspect shock absorbers for leaks and rubber bushings for deterioration at proper intervals.

SPARK PLUGS

⚠ WARNING

Disconnecting spark plug cable with engine running can result in electric shock and death or serious injury. (00464b)

⚠ CAUTION

Do NOT pull on any electrical wires. Pulling on electrical wires may damage the internal conductor causing high resistance, which may result in minor or moderate injury. (00168a)

NOTE

Fuel tank removal improves access to the center spark plug. Refer to the service manual or see a Harley-Davidson dealer for service.

Check the spark plugs at proper intervals. Refer to MAINTENANCE SCHEDULING > SERVICE RECORDS (Page 243).

1. Disconnect spark plug cables from plugs by pulling up on the molded connector caps.
2. Check spark plug type. Only use spark plugs specified for your model motorcycle.

3. Check spark plug gap against specifications. Refer to Table 9.
4. Always tighten to the proper torque. Spark plugs must be tightened to the torque specified for proper heat transfer. Refer to Table 9.
5. Connect each molded connector cap until the cap snaps firmly into place over the spark plug.

AIR FILTER

Removal

1. See Figure 72. Remove screw (1) and air cleaner cover (2) with rubber seal (6).
2. Remove three screws (3).
3. Remove filter element (4) pulling breather tube from hole on inboard side.
4. Remove breather tube (5) from breather bolts.
5. Inspect the breather tube and fittings for damage.

⚠ WARNING

Do not use gasoline or solvents to clean filter element. Flammable cleaning agents can cause an intake system fire, which could result in death or serious injury. (00101a)

⚠ WARNING

Compressed air can pierce the skin and flying debris from compressed air could cause serious eye injury. Wear safety glasses when working with compressed air. Never use your hand to check for air leaks or to determine air flow rates. (00061a)

6. Clean filter element.
 - a. Wash the paper/wire mesh air filter element and breather tube in lukewarm water with a mild detergent. Do not strike filter element on a hard surface to dislodge dirt.
 - b. Allow filter element to air dry or use low-pressure compressed air blowing from the inside. Do NOT use air cleaner filter oil on the Harley-Davidson paper/wire mesh air filter element.
 - c. Hold the filter element up to a strong light source. The element is sufficiently clean when light is uniformly visible through the media.

- d. Replace the filter element if damaged or if filter media cannot be adequately cleaned.

Installation

NOTE

Air cleaner mounting without installation of the breather tubes allows crankcase vapors to vent into the atmosphere. This violates emissions regulations.

1. See Figure 72. Install breather tube (5) onto breather bolts.
2. Install filter element (4) while pushing breather tube into element.
3. Install screws (3). Tighten screws to 4.5–6.8 N·m (40–60 **in-lbs**).
4. Verify that rubber seal (6) is not damaged and is properly seated around perimeter of air cleaner cover.
5. Place air cleaner cover onto backplate. Apply a drop of LOCTITE 243 MEDIUM STRENGTH THREADLOCKER AND SEALANT (blue) to the threads of screw (1). Install screw. Tighten to 4.1–6.8 N·m (36–60 **in-lbs**).

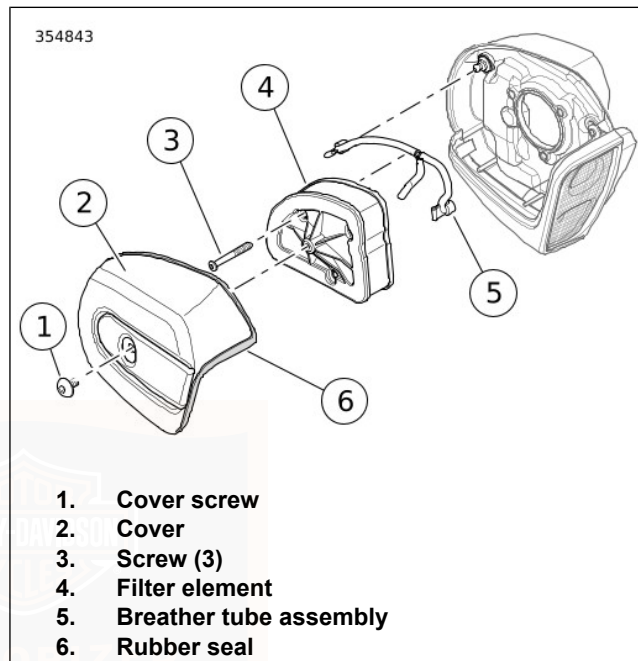


Figure 72. Air Cleaner Assembly

JACKING POINTS

NOTICE

When lifting a motorcycle using a jack, be sure jack contacts both lower frame tubes where down tubes and lower frame tubes converge. Never lift by jacking on cross-members, oil pan, mounting brackets, components or housings. Failure to comply can cause serious damage resulting in the need to perform major repair work. (00586d)

NOTE

- *Never use differential housing as lifting point.*
- *Set the parking brake and block the wheels as necessary to prevent the vehicle from rolling.*
- *Lift against the forgings where the down tubes and lower frame tubes join.*
- *Never lift using the passenger hand grab handles.*

Because the balance point is toward the rear, special consideration must be made when lifting with a jack for service.

See Figure 73. When lifting the front, engage the parking brake. Place the jack under the forward portion of the frame, approximately centered under the crankshaft, and make sure

that it contacts the frame tube forgings on both sides. Verify that the jack is not contacting the parking brake components.

See Figure 74. When lifting the rear, secure the front tire in a wheel vise. Secure front end to the motorcycle lift using straps. Place the jack under the rear portion of the frame, approximately centered under the clutch cover. Make sure that it contacts the frame tube forgings on both sides.

Alternatively, each rear wheel can be raised by placing a jack under the left or right side of the axle.

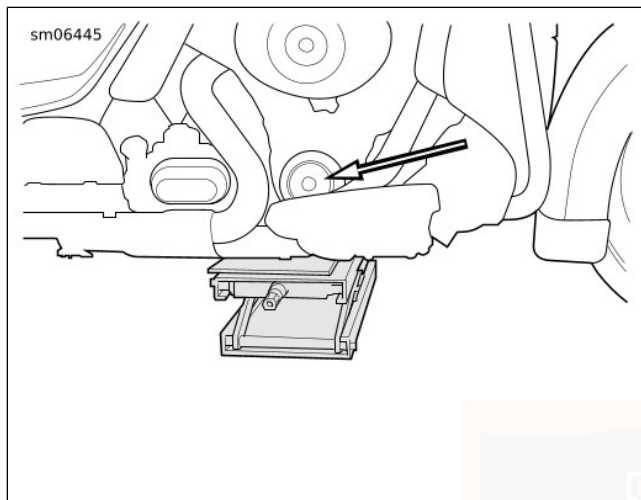


Figure 73. Jack Placement to Lift Front

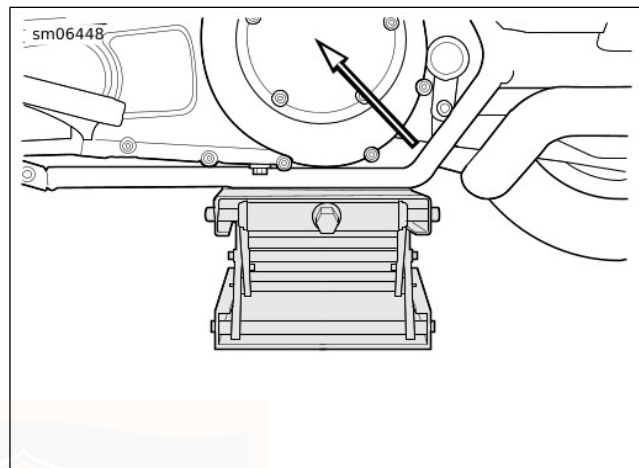


Figure 74. Jack Placement to Lift Rear
HEADLAMP: FLHTCUTG, SINGLE LED

Bulb Replacement

NOTE

LED headlamp contains no replacement bulbs. Replace assembly upon failure. See the service manual or a Harley-Davidson dealer.

HEADLAMP ALIGNMENT: FLHTCUTG, SINGLE LED

Check Alignment

1. Check tire pressure.
2. Adjust rear shocks for the rider and intended load.
3. Fill fuel tank or add an equal amount of ballast.

NOTE

Choose a wall in minimum light.

4. See Figure 75. Park the motorcycle on a line (1) perpendicular to the wall.
5. Position motorcycle so the front axle is 7.6 m (25 ft) from wall.
6. Draw a vertical centerline (2) on the wall.

NOTE

The upper lens is **low beam** on LED headlamps.

7. With the motorcycle loaded, point the front wheel straight forward at wall. Measure the distance (4) from the floor to the center of the **low beam (upper)** lens.
8. See Figure 75. Draw a horizontal line (5) through the vertical line at measured height.

NOTE

See Figure 75. The headlamp is aligned when the top of light beam hot spot is located as shown with headlamp set to **low beam**.

9. See Figure 75. Verify headlamp alignment.

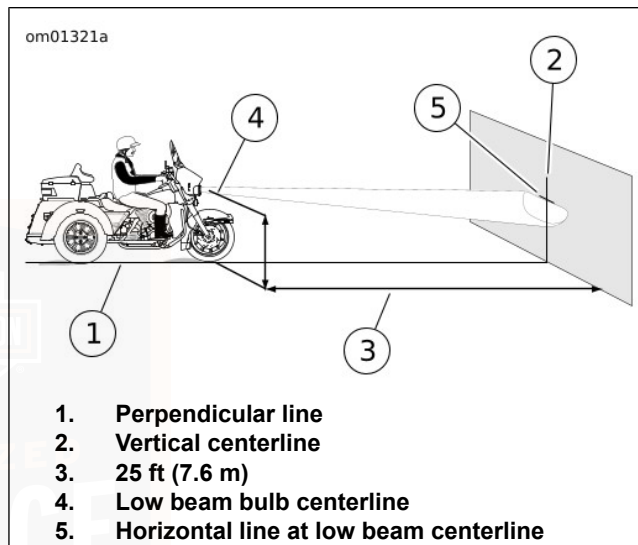


Figure 75. Headlamp Alignment: LED

Adjust Alignment

NOTE

Do not remove trim ring for headlamp adjustment.

1. Set LED headlamp to **low beam**.
2. See Figure 76. Insert a 5/32 ball end hex wrench through adjuster slots in trim ring.
 - a. **Horizontal:** Turn the horizontal adjusting screw (1) to adjust light beam left and right.
 - b. **Vertical:** Turn the vertical adjusting screw (2) to adjust light beam up and down.
3. See Figure 75. Adjust headlamp **low beam** as shown.

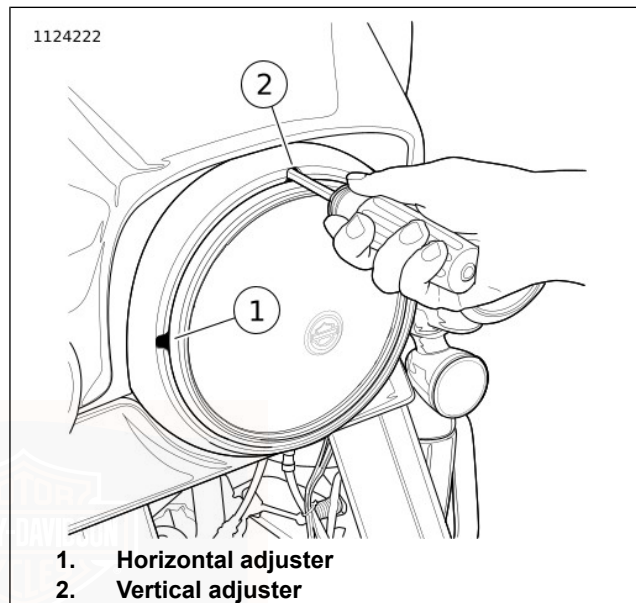


Figure 76. Headlamp Adjusters: All except Frame-Mounted Fairing (typical)

HEADLAMP ALIGNMENT: FLRT, SINGLE HEADLAMP

Check Alignment

1. Check tire pressure.

2. Fill fuel tank or add an equal amount of ballast.
3. Adjust rear shocks for the rider and intended load.

NOTE

Choose a wall in minimum light.

4. See Figure 77. Park the motorcycle on a line (1) perpendicular to the wall.
5. Position motorcycle so the front axle is 7.6 m (25 ft) from the wall.
6. Draw a vertical line (2) on the wall.

NOTE

Because a rider's weight compresses the suspension, seat a person approximately the same weight as the rider.

7. With the motorcycle loaded normally, measure the headlamp height.
 - a. Point the front wheel straight forward.
 - b. **Halogen headlamp:** Measure the distance (4) from the floor to the center of the headlamp.
 - c. **LED headlamp:** Measure the distance (4) from the floor to the center of the **low beam (upper)** lens.

8. Halogen alignment (6):

- a. Draw a horizontal line (5) through the vertical line on the wall 53.3 mm (2 in) lower than the measured centerline.
- b. The headlamp is aligned when the center of the **high beam** hot spot is located over the intersection of the lines.
- c. Adjust as necessary.

NOTE

The upper lens is low beam on LED headlamps.

9. LED alignment (7):

- a. Draw a horizontal line (5) through the vertical line on the wall at the measured **low beam** lens centerline.
- b. The headlamp is aligned when the top of light beam hot spot is located as shown with headlamp set to **low beam**.
- c. Adjust as necessary.

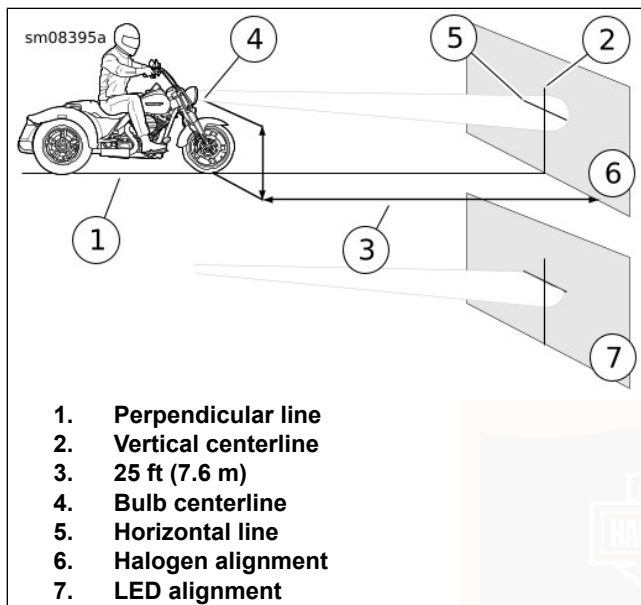


Figure 77. Headlamp Alignment: FLRT Single Headlamp

Adjust Alignment

1. Point the front wheel straight forward.

2. See Figure 78. Loosen horizontal adjustment screw (2). Tilt headlamp left or right to direct light beam straight ahead.
3. Tighten screw (2) to:
Torque: 40.7–47.5 N·m (30–35 ft-lbs) *Headlamp horizontal adjustment screw: FLRT (single headlamp)*
4. Loosen vertical adjustment screw (1).
5. See Figure 77. Tilt headlamp up or down until light beam is correct.
6. Tighten vertical adjustment screw to:
Torque: 47.5–61 N·m (35–45 ft-lbs) *Headlamp vertical adjustment screw: FLRT (single headlamp)*

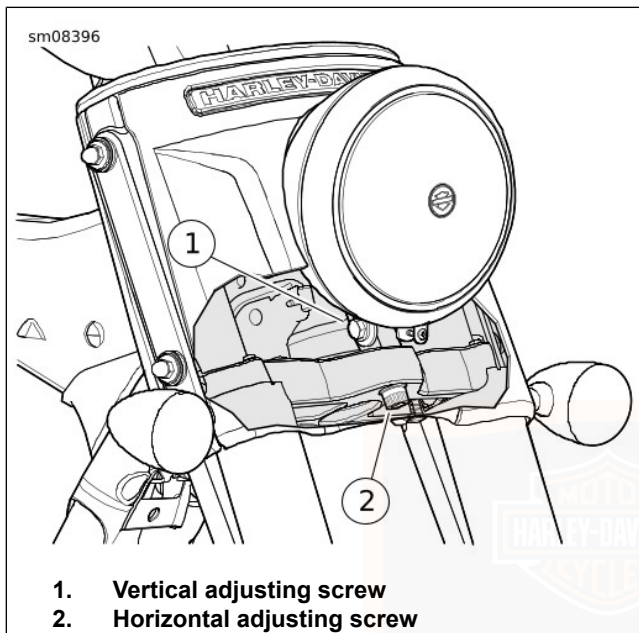


Figure 78. Headlamp Adjustment: FLRT

HEADLAMP SERVICE: DUAL LED

NOTE

LED headlamps contain no replacement bulbs. Replace the entire assembly if failure occurs. See the service manual or a Harley-Davidson dealer.

Removal

1. See Figure 79. Remove screw (1). Remove trim ring (2) from lamp housing.
2. Remove headlamp bulb assembly and nesting ring.
3. Disconnect connector from headlamp.

Installation

1. See Figure 79. Place nesting ring (4) on back of **new** bulb (3) with the index tab facing away from bulb.
2. Mate connector to bulb.
3. Install bulb assembly.
4. Engage index tab of nesting ring with slot at bottom of lamp housing.
5. Engage index tabs on bulb assembly with slots in nesting ring.
6. Install trim ring on lamp housing with screw centered at bottom. Tighten to 1–1.6 N·m (9–14 **in-lbs**).

7. Check headlamp alignment. See MAINTENANCE AND LUBRICATION > HEADLAMP ALIGNMENT: DUAL LED HEADLAMPS (Page 165).

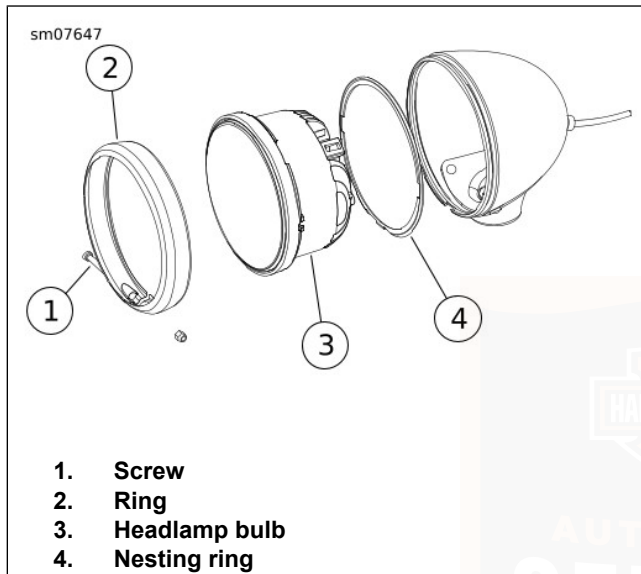


Figure 79. Headlamp Assembly

HEADLAMP BULB REPLACEMENT: FLRT, SINGLE HEADLAMP

⚠ WARNING

Handle bulb carefully and wear eye protection. Bulb contains gas under pressure, which, if not handled carefully, could cause serious eye injury. (00062b)

NOTICE

When replacement is required, use only the specified sealed beam unit or bulb, available from a Harley-Davidson dealer. An improper wattage sealed beam or bulb, can cause charging system problems. (00209a)

Disassemble

⚠ WARNING

To prevent accidental vehicle start-up, which could cause death or serious injury, remove main fuse before proceeding. (00251b)

NOTE

Mark parts for location and orientation upon removal.

1. Remove main fuse. See MAINTENANCE AND LUBRICATION > FUSES AND RELAYS (Page 185).
2. See Figure 80. Remove trim ring hardware (1). Remove trim ring (2).
3. Remove mounting ring (3).
4. Disconnect headlamp connector (7) from bulb (5).
5. **LED:** LED contains no service parts. Proceed to *Assemble*.
6. **Incandescent bulb:**
 - a. Remove boot (8) from back of headlamp lens (4).
 - b. Remove wire retaining clip (6) from headlamp base.
 - c. Remove bulb from headlamp assembly.

Assemble

NOTICE

Never touch the quartz bulb. Fingerprints will etch the glass and decrease bulb life. Handle the bulb with paper or a clean, dry cloth. Failure to do so could result in bulb damage. (00210b)

NOTE

*When installing a **new** bulb, make sure that connector contacts are clean for good electrical contact.*

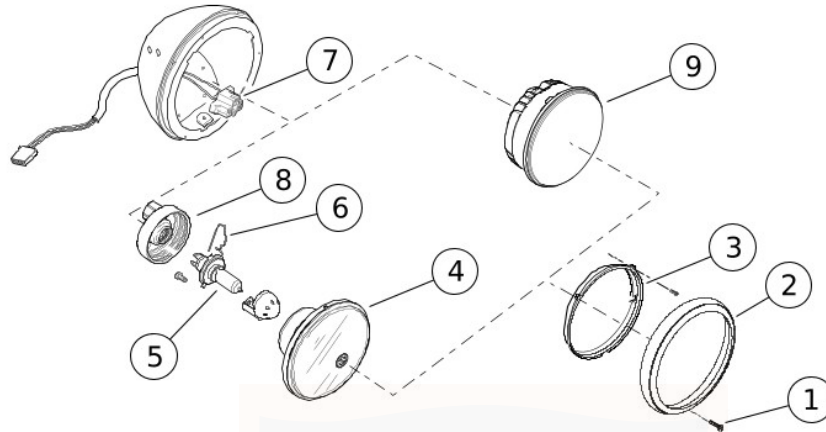
1. **Incandescent bulb:**
 - a. Install **new** bulb and assemble the headlamp components.
 - b. Verify slots and tabs in headlamp and trim ring are aligned.
 - c. Install boot on the headlamp lens assembly.
2. Connect the headlamp connector.
3. Install trim ring and hardware.
4. Verify that ignition switch is in OFF position. Install main fuse.

⚠ WARNING

Be sure that all lights and switches operate properly before operating motorcycle. Low visibility of rider can result in death or serious injury. (00316a)

5. Check operation of all lamps.
6. Align headlamp. See MAINTENANCE AND LUBRICATION > HEADLAMP ALIGNMENT: FLRT, SINGLE HEADLAMP (Page 158).

om01903



- 1. Trim ring hardware
- 2. Trim ring
- 3. Mounting ring
- 4. Headlamp lens
- 5. Bulb

- 6. Wire retaining clip
- 7. Headlamp connector
- 8. Boot
- 9. LED assembly

Figure 80. Headlamp Bulb: FLRT

SERVICE

HEADLAMP ALIGNMENT: DUAL LED HEADLAMPS

NOTE

See the *Touring service manual for single headlamp alignment procedures.*

Check Alignment

1. Check tire pressure.
2. Adjust rear shocks for the rider and intended load.
3. Fill fuel tank or add an equal amount of ballast.

NOTE

Choose a wall in minimum light.

4. See Figure 81. Park the motorcycle on a line (1) perpendicular to the wall.
5. Position motorcycle so the front axle is 8 m (25 ft) from wall.
6. Draw a vehicle vertical centerline (2) on the wall.

NOTE

*The upper lens is **low beam** on LED headlamps.*

7. With the motorcycle loaded, point the front wheel straight forward at wall. Measure the distance (4) from the floor to the center of the **low beam (upper)** lens.
8. Draw targets on the wall.
 - a. Draw a horizontal line (5) at the low beam centerline height.
 - b. Measure the distance from the vehicle centerline to the vertical centerline of each headlamp.
 - c. Draw vertical lines (6, 7) at the headlamp centerlines.

NOTE

LED headlamps create a beam that is nearly flat on the top.

9. Check headlamp alignment.
 - a. Set headlamps to **low beam**.
 - b. See Figure 82. The headlamps are aligned when the light beam hot spots are located at or below line (4) and centered on lines (2, 3).

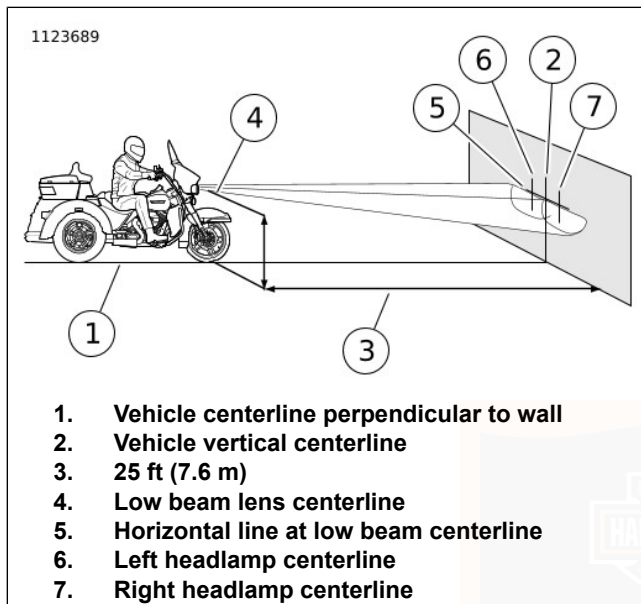


Figure 81. Headlamp Alignment: Dual LED

Adjust Headlamp Alignment

1. Place the vehicle perpendicular to a target wall as described above.

2. Remove screw and lockwasher securing turn signal lamps. Remove turn signal lamps from the headlamp mounting brackets.
3. Loosen the headlamp nuts only enough to allow movement of the lamp.
4. Turn headlamps on low beam.
5. See Figure 82. Cover the right headlamp. Adjust left headlamp so the top of the high intensity zone (6) is at or below horizontal line (4) and centered under the left centerline (2).
6. Cover the left headlamp. Adjust right headlamp so the top of the high intensity zone (5) is at or below horizontal line (4) and centered under the right centerline (3).
7. Tighten headlamp nut to:

Torque: 27.1–32.5 N·m (20–24 ft-lbs) *Headlamp nut: Dual LED*
8. Secure turn signal lamps with screw and lockwasher. Tighten to:

Torque: 10.9–17.6 N·m (96–156 **in-lbs**) *Turn signal lamp screw, front LED*

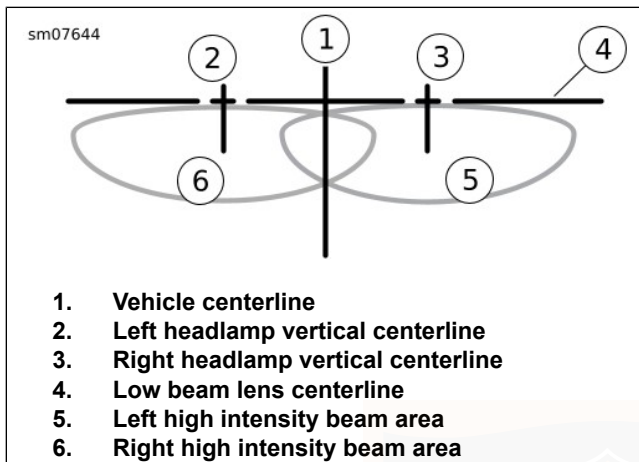


Figure 82. Headlamp Beam Pattern: Dual LED

AUXILIARY/FOG LAMP ALIGNMENT: FLHTCUTG

NOTE

Auxiliary/Fog lamps are LED type which contain no replacement bulbs. Replace assembly upon failure. See the service manual or a Harley-Davidson dealer.

1. Position the vehicle facing a target wall as described in MAINTENANCE AND LUBRICATION > HEADLAMP ALIGNMENT: FLHTCUTG, SINGLE LED (Page 157).

NOTE

The weight of the rider compresses the suspension slightly. Have a person whose weight is roughly the same as the principal rider sit on the motorcycle.

2. With the vehicle upright and a rider seated, measure the distance from the floor to the centerline of each auxiliary/fog lamp.
3. Measure the horizontal distance from the headlamp vertical centerline to the vertical centerline of each auxiliary/fog lamp.
4. See Figure 83. Mark the auxiliary/fog lamp horizontal and vertical centerlines (2, 3) on the wall.
5. Remove the turn signal lamp from the mounting bracket.
6. Using FLARE NUT SOCKET (PART NUMBER: FRX181), loosen the auxiliary/fog lamp flange nut only enough to allow movement of the lamp.
7. Turn on the headlamp low beam and cover both the headlamp and the right auxiliary/fog lamp. Adjust the left auxiliary/fog lamp so the entire high intensity zone (4) is below the centerline as shown in Figure 83.

8. Repeat procedure with right lamp.
9. Tighten auxiliary/fog lamp nut to 27.1–32.5 N·m (20–24 ft-lbs).
10. Install turn signal. Secure turn signal lamp to mounting bracket. Tighten to 10.9–13.5 N·m (96–120 in-lbs).

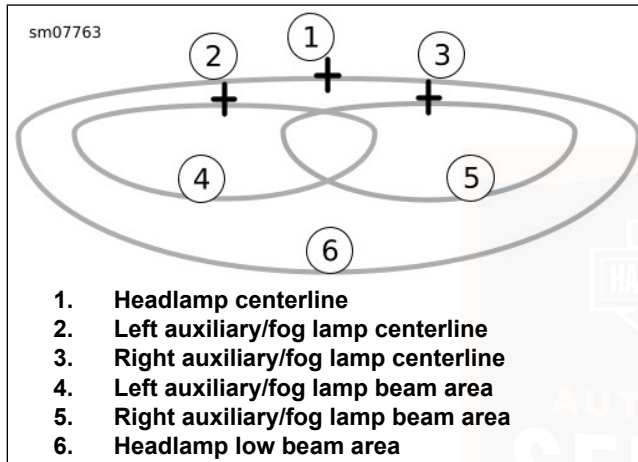


Figure 83. Headlamp Pattern: LED Type with Auxiliary/Fog Lamps

TURN SIGNAL BULB REPLACEMENT: BULLET STYLE

NOTE

Models with LED lamps do not contain replacement bulbs. Replace the LED assembly.

1. See Figure 84. Insert a coin or the blade of a small screwdriver into the notch at the bottom of the lens cap. Carefully twist until the lens cap pops out of the lamp housing.
2. Push bulb in and rotate counterclockwise. Pull bulb from socket.
3. Inspect condition of electrical contacts in socket. If necessary, clean with a small wire brush and electrical contact cleaner.
4. Apply ELECTRICAL CONTACT LUBRICANT to contacts in socket and at bottom of **new** bulb.
5. Align pins on **new** bulb with pin guides in bulb socket. Push bulb in and turn clockwise to lock in place.
6. Snap lens cap onto the lamp housing with notch at bottom.

▲ WARNING

Be sure that all lights and switches operate properly before operating motorcycle. Low visibility of rider can result in death or serious injury. (00316a)

7. Check operation of all lamps.



Figure 84. Lens Cap Notch

TURN SIGNAL BULB REPLACEMENT: LED

NOTE

LED turn signals contain no service parts. Replace the entire assembly if an LED fails. See the service manual or a Harley-Davidson dealer.

TURN SIGNAL BULB REPLACEMENT: INCANDESCENT

1. See Figure 85. Insert coin in notch. Carefully twist until the lens cap pops out of the lamp housing.
2. While pushing bulb in, rotate counterclockwise to remove.
3. Inspect condition of electrical contacts in socket. If necessary, clean with a small wire brush and electrical contact cleaner.
4. Apply ELECTRICAL CONTACT LUBRICANT to contacts in socket and at bottom of **new** bulb.
5. Align pins on new bulb with guides in bulb socket. Push and rotate new bulb clockwise into socket.
6. Snap lens cap onto the lamp housing with notch at bottom.

▲ WARNING

Be sure that all lights and switches operate properly before operating motorcycle. Low visibility of rider can result in death or serious injury. (00316a)

7. Check operation of all lamps.

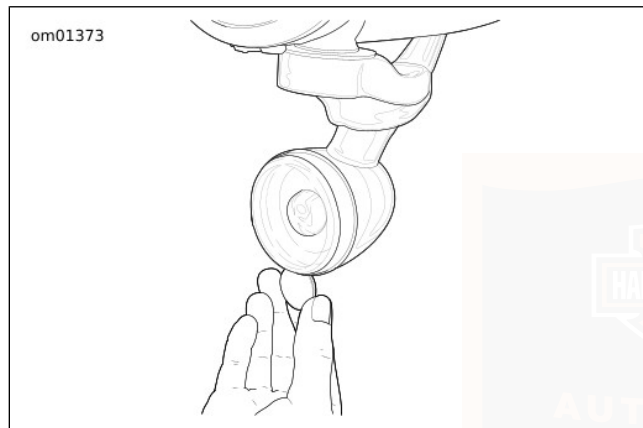


Figure 85. Lens Cap Notch

TAIL LAMP BULB REPLACEMENT: INCANDESCENT

Removal

1. Remove the two screws to remove the tail lamp lens from its chrome base.
2. See Figure 86. Press the tab on the connector (3) and remove the connector from the base.
3. Rotate bulb socket (4) a quarter turn counterclockwise. Remove socket, wire harness (2) and bulb (1).
4. Pull the bulb out of the socket.

Installation

1. See Figure 86. Apply ELECTRICAL CONTACT LUBRICANT to the contacts of a **new** bulb (1). Press the new bulb into the wire harness (2) socket (4).
2. Insert socket (4) into tail lamp lens. Rotate socket a quarter turn clockwise to lock it in place.
3. Snap tail lamp connector (3) into tail lamp base.

NOTE

Do not over-tighten screws.

4. Hold tail lamp in position against chrome base. Install two screws. Tighten to 2.3–2.7 N·m (20–24 in-lbs).

▲ WARNING

Be sure that all lights and switches operate properly before operating motorcycle. Low visibility of rider can result in death or serious injury. (00316a)

5. Check operation of all lamps.

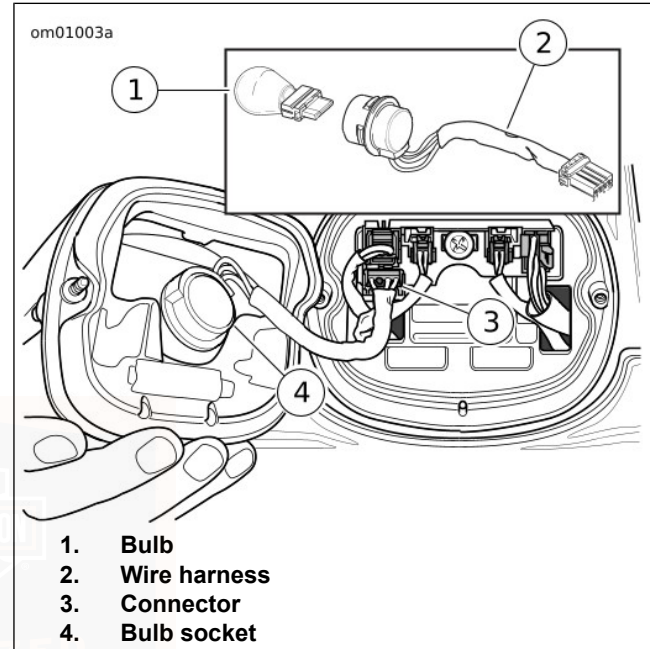


Figure 86. Tail Lamp

TAIL LAMP BULB REPLACEMENT: LED

NOTE

LED tail lamps contain no service parts. Replace the entire assembly if an LED fails. See the service manual or a Harley-Davidson dealer.

HARLEY-DAVIDSON ABSORBED GLASS MAT (AGM) BATTERY CHARGING INFORMATION

Your motorcycle is equipped with a sealed AGM battery design that is superior to conventional flooded lead acid batteries. This battery design will provide many years of dependable service when the proper battery charging equipment and storage procedures are used. Because of the sealed, non-spillable battery design, an automatic, constant monitoring battery charger or tender that uses a charging rate of less than 14.6 volts is required to prevent overcharging conditions that will dry out the cells of the battery. Constant current battery chargers (including trickle chargers) can damage AGM batteries.

To maintain a full charge between rides, Harley-Davidson recommends using an optional Harley-Davidson constant monitoring battery charger or tender when your motorcycle will not be ridden for more than two weeks, with the best practice of installing the charger or tender any time the motorcycle is not in use. See an authorized Harley-Davidson

dealer for a selection of recommended constant monitoring battery chargers, tenders and charging accessories. Harley-Davidson battery tenders include a quick disconnect cable, allowing easy connection to charge the battery with minimal disassembly of the motorcycle. Some models are equipped with a battery tender connector as standard equipment.

Lack of regular battery charging or use of constant current battery chargers may void battery warranty. See the battery maintenance section of this manual for more information on battery charging and storage procedures.

BATTERY MAINTENANCE

Type

Your motorcycle uses an Absorbed Glass Mat (AGM) battery. The AGM battery is permanently sealed, valve regulated, maintenance-free, lead/calcium and sulfuric acid battery. All batteries are shipped precharged and ready for service. Do not attempt to open the battery for any reason.

Table 31. Antidotes for Battery Acid

CONTACT	TREATMENT
External	Flush with water.
Internal	Drink large quantities of milk or water, followed by milk of magnesia, vegetable oil or beaten eggs. Get immediate medical attention.
Eyes	Flush with water. Get immediate medical attention.

⚠ WARNING

Batteries contain sulfuric acid, which could cause severe burns to eyes and skin. Wear a protective face shield, rubberized gloves and protective clothing when working with batteries. **KEEP BATTERIES AWAY FROM CHILDREN.** (00063a)

⚠ WARNING

Explosive hydrogen gas, which escapes during charging, could cause death or serious injury. Charge battery in a well-ventilated area. Keep open flames, electrical sparks and smoking materials away from battery at all times. **KEEP BATTERIES AWAY FROM CHILDREN.** (00065a)

⚠ WARNING

Batteries, battery posts, terminals and related accessories contain lead and lead compounds, and other chemicals known to the State of California to cause cancer, and birth defects or other reproductive harm. Wash hands after handling. (00019e)

⚠ WARNING

Never remove warning label from battery. Failure to read and understand all precautions contained in warning, could result in death or serious injury. (00064b)

om01163

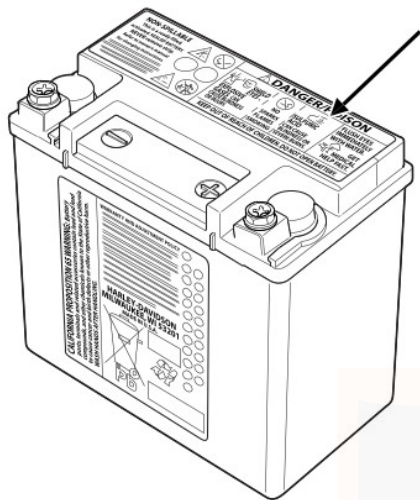
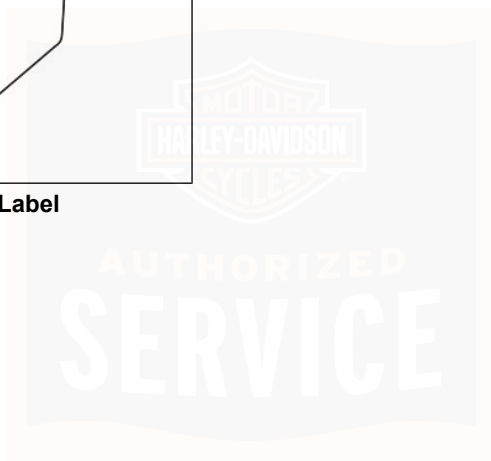


Figure 87. Battery Warning Label



om00618



1



2



3



4



5



6

NON-SPILLABLE This is a ready filled, activated SEALED BATTERY. NEVER remove strip. Refer to owner's manual or instruction sheet for charging procedure.			⚠ DANGER/POISON 3-4580	
			 SHIELD EYES.	 NO • SPARKS • FLAMES • SMOKING
			 SULFURIC ACID CAN CAUSE BLINDNESS OR SEVERE BURNS.	FLUSH EYES IMMEDIATELY WITH WATER. GET MEDICAL HELP FAST.
KEEP OUT OF REACH OF CHILDREN. DO NOT OPEN BATTERY.				

1. Contents are corrosive
2. Wear safety glasses
3. Contents are explosive

4. Keep flames away
5. Read instructions
6. Keep away from children

Figure 88. Battery Warning Label

Voltmeter Test

The voltmeter test provides a general indicator of battery condition. Check the voltage of the battery to verify that it is in a 100 percent fully charged condition. If the open circuit (disconnected) voltage reading is below 12.7 V, charge the battery. Recheck the voltage after the battery has set for one to two hours. Refer to Table 32.

Table 32. Voltmeter Test

READING IN VOLTS	PERCENT OF CHARGE
12.7	100
12.6	75
12.3	50
12.0	25
11.8	0

Cleaning and Inspection

Battery top must be clean and dry. Dirt and electrolyte on top of the battery can cause battery to self-discharge.

1. Clean battery top.
2. Clean cable connectors and battery terminals using a wire brush or fine grit sandpaper to remove any oxidation.
3. Inspect and clean the battery screws, clamps and cables. Check for breakage, loose connections and corrosion.

4. Check the battery posts for melting or damage caused by over-tightening.
5. Inspect the battery for discoloration, a raised top or a warped or distorted case. These conditions might indicate that the battery has been frozen, overheated or overcharged.
6. Inspect the battery case for cracks or leaks.

Charging

NOTE

When using the factory installed battery tender connector, the main fuse and P&A fuse must both be installed.

An automatic, constant monitoring battery charger/tender with a charging rate of 5 amps or less at less than 14.6 volts is recommended. The use of constant current chargers (including trickle chargers) to charge sealed AGM batteries is not recommended. Any overcharge will cause dry-out and premature battery failure. Never charge a battery without first reviewing the instructions for the charger being used. In addition to the manufacturer's instructions, follow these general safety precautions.

Charge the battery if any of the following conditions exist:

- Vehicle lamps appear dim.
- Electric starter sounds weak.

- Battery has not been used for an extended time.

⚠ WARNING

Explosive hydrogen gas, which escapes during charging, could cause death or serious injury. Charge battery in a well-ventilated area. Keep open flames, electrical sparks and smoking materials away from battery at all times. KEEP BATTERIES AWAY FROM CHILDREN. (00065a)

⚠ WARNING

Batteries contain sulfuric acid, which could cause severe burns to eyes and skin. Wear a protective face shield, rubberized gloves and protective clothing when working with batteries. KEEP BATTERIES AWAY FROM CHILDREN. (00063a)

1. Perform a voltmeter test to determine the state of charge. If battery needs to be charged, proceed to the next step.
2. Place the battery on a level surface.

NOTE

- *Do not use chargers with excessively high voltage designed for flooded batteries or excessively high current designed for much larger batteries. Do not charge at more than 5 amps or more than 14.6 volts.*

- *Most automatic, constant monitoring battery chargers are completely automatic and can be left connected to both AC power and to the battery that is being charged. When leaving this type of charger connected for extended periods of time, periodically check the battery to see if it is unusually warm. This is an indication that the battery may have a weak cell or internal short. Read the manufacturer's instructions for the charger being used.*

⚠ WARNING

Unplug or turn OFF battery charger before connecting charger cables to battery. Connecting cables with charger ON can cause a spark and battery explosion, which could result in death or serious injury. (00066a)

⚠ WARNING

Connect positive (+) battery cable first. If positive (+) cable should contact ground with negative (-) cable connected, the resulting sparks can cause a battery explosion, which could result in death or serious injury. (00068a)

⚠ WARNING

Disconnect negative (-) battery cable first. If positive (+) cable should contact ground with negative (-) cable connected, the resulting sparks can cause a battery explosion, which could result in death or serious injury. (00049a)

NOTICE

Do not reverse the charger connections described in the following steps or the charging system of the motorcycle could be damaged. (00214a)

3. Connect the red battery charger lead to positive terminal of the battery.
4. Connect the black battery charger lead to negative terminal of the battery.

NOTE

If the battery is still in the vehicle, connect the negative lead to the chassis ground. Make sure that the ignition and all electrical accessories are turned off.

5. Step away from the battery and turn on the charger.

⚠ WARNING

Unplug or turn OFF battery charger before disconnecting charger cables from battery. Disconnecting clamps with charger ON can cause a spark and battery explosion, which could result in death or serious injury. (00067a)

6. After the battery is fully charged, turn OFF the charger. Disconnect the black battery charger lead from the negative terminal of the battery.
7. Disconnect the red battery charger lead from the positive terminal of the battery.
8. Mark the charging date on the battery.

Storage

If the motorcycle will not be operated for several weeks, such as during the winter season, remove the battery from the motorcycle and fully charge.

If the motorcycle will be stored with the battery installed, connect an automatic, constant monitoring charger/tender to maintain charge. See an authorized Harley-Davidson dealer for more information.

A battery that is removed from the vehicle is affected by self-discharge. A battery that is stored in the vehicle is affected by both self-discharge and, more significantly, parasitic loads.

- Batteries self-discharge at a faster rate at higher ambient temperatures.
- To reduce the self-discharge rate, store battery in a cool, dry place.
- Charge the battery every two weeks if stored in the vehicle.
- Charge the battery once per month if stored out of the vehicle.

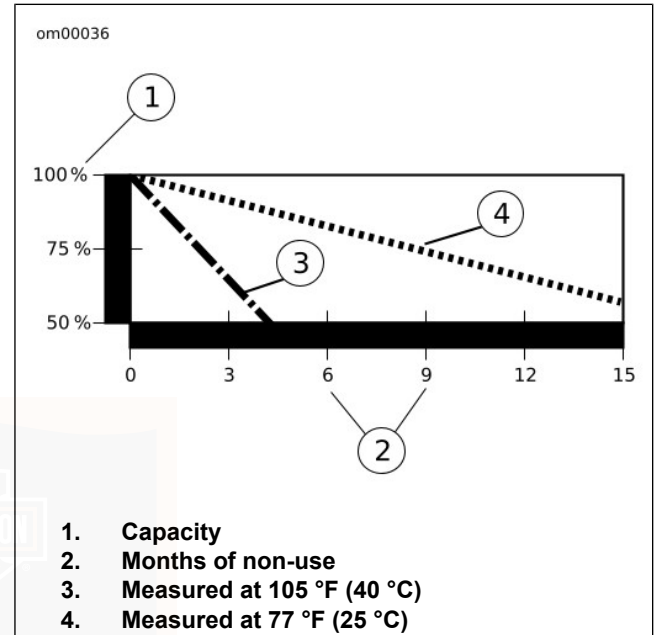
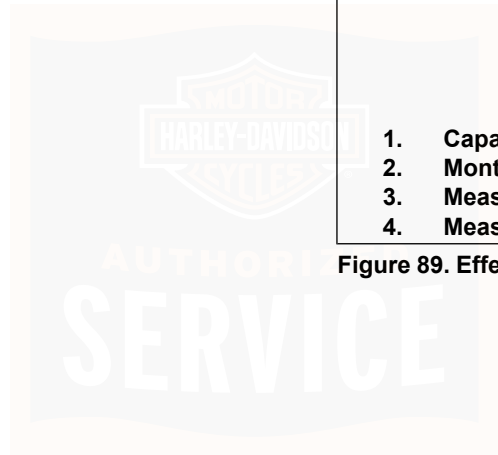


Figure 89. Effective Rate of Temperature on Battery Self-discharging Rate



BATTERY

Disconnection and Removal

1. Remove seat.
2. See Figure 90. Release ECM (1) from top caddy. Move out of the way.
3. If present, move purge solenoid (2) forward to release from top caddy.
4. **Models with security system:** Release HFSSM antenna (3) from top caddy and move out of the way.
5. Release connectors (7) from anchors on top caddy.
6. Remove fasteners (5).
7. Cut cable straps (4). Move harnesses to allow more clearance for the top caddy.
8. Push top caddy forward to disengage front of caddy from front hold-down bracket. Remove top caddy.

9. In order to prevent damage to electrical components, use the following procedure to deactivate the electrical system before disconnecting power.
 - a. Verify that the hands-free fob is present.
 - b. Turn the ignition switch to ON position.
 - c. Remove left side cover.
 - d. Remove the main fuse from its connector.

▲ WARNING

Disconnect negative (-) battery cable first. If positive (+) cable should contact ground with negative (-) cable connected, the resulting sparks can cause a battery explosion, which could result in death or serious injury. (00049a)

10. See Figure 91. Disconnect both battery cables, negative battery cable first.
11. Pull up battery strap to raise battery. When battery is extracted far enough to get a good grip, grasp battery and remove completely.

Installation and Connection

1. Turn ignition switch OFF.
2. Run battery strap rearward across the bottom of the battery tray, then up and across the frame crossmember.
3. See Figure 91. Place the battery into the battery tray, terminal side forward.

⚠ WARNING

Connect positive (+) battery cable first. If positive (+) cable should contact ground with negative (-) cable connected, the resulting sparks can cause a battery explosion, which could result in death or serious injury. (00068a)

NOTICE

Connect the cables to the correct battery terminals. Failure to do so could result in damage to the motorcycle electrical system. (00215a)

NOTICE

Do not over-tighten bolts on battery terminals. Use recommended torque values. Over-tightening battery terminal bolts could result in damage to battery terminals. (00216a)

4. Connect both battery cables, positive battery cable first. Tighten.

Torque: 6.8–7.9 N·m (60–70 **in-lbs**) *Battery terminal bolt*

NOTICE

Keep battery clean and lightly coat terminals with petroleum jelly to prevent corrosion. Failure to do so could result in damage to battery terminals. (00217a)

5. Apply a light coat of petroleum jelly or ELECTRICAL CONTACT LUBRICANT to both battery terminals.
6. Fold battery strap forward over top of battery.
7. See Figure 90. Place top caddy into position and engage latch on hold-down bracket.
8. Fasten top caddy to frame crossmember with fasteners (5). Tighten.
Torque: 8.1–10.9 N·m (72–96 **in-lbs**) *Top caddy screws*
9. Engage HFSM antenna (3) and purge solenoid (2) on top caddy. Verify that all other connectors and harnesses are routed below the purge solenoid mounting tongue.
10. Secure connectors (7) to anchors on top caddy.

11. Latch ECM (1) into place on top caddy.
12. Secure harnesses to frame with cable straps (4).
13. Install seat. After installing seat, pull up on the seat to be sure it is secure.
14. Install main fuse.
15. Install left side cover.

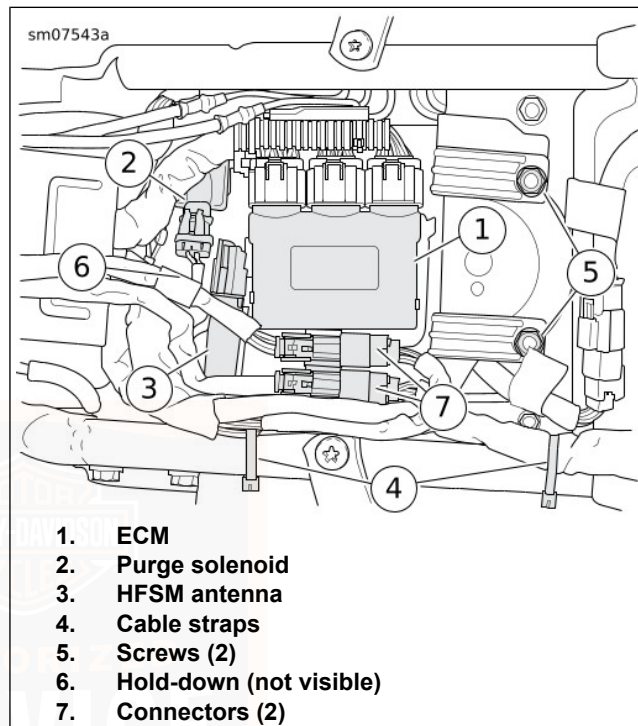


Figure 90. Top Caddy

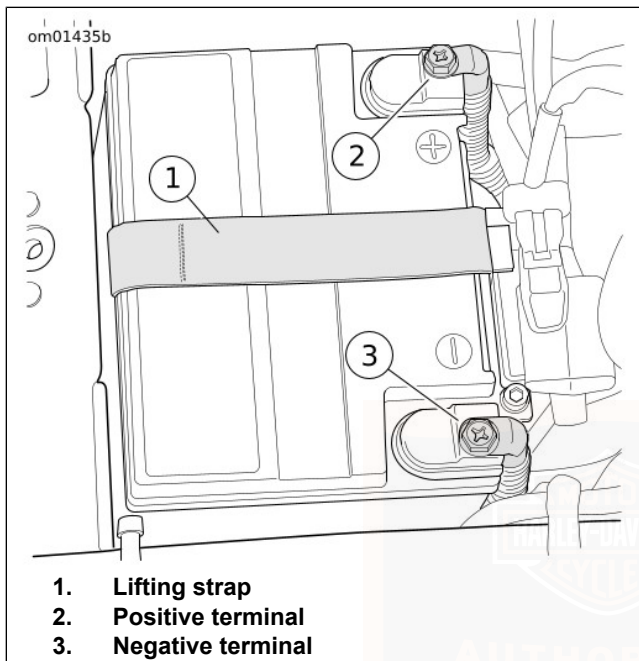


Figure 91. Battery Compartment

BATTERY TENDER CONNECTOR

NOTE

The main fuse and P&A fuse must both be installed to use a battery tender.

See Figure 92. The motorcycle has a quick disconnect battery tender connector under the left side cover below the main fuse. Connecting a battery tender between rides and during storage can maintain battery charge and extend the life of the battery.

To access connector, remove left side cover. See MAINTENANCE AND LUBRICATION > SIDE COVERS (Page 184).

Route the connector through the slot in the bottom of the electrical caddy. Secure the harness and connector with cable straps in a location that prevents damage to the connector and surrounding areas. Make sure to apply ELECTRICAL CONTACT LUBRICANT to the terminals. Keep the connector capped to prevent moisture damage when not in use.

See Figure 93. Connect an automatic, constant monitoring battery charger/tender as shown. The connector is compatible with all Harley-Davidson battery tenders.

For more charging information, see MAINTENANCE AND LUBRICATION > BATTERY MAINTENANCE (Page 172).

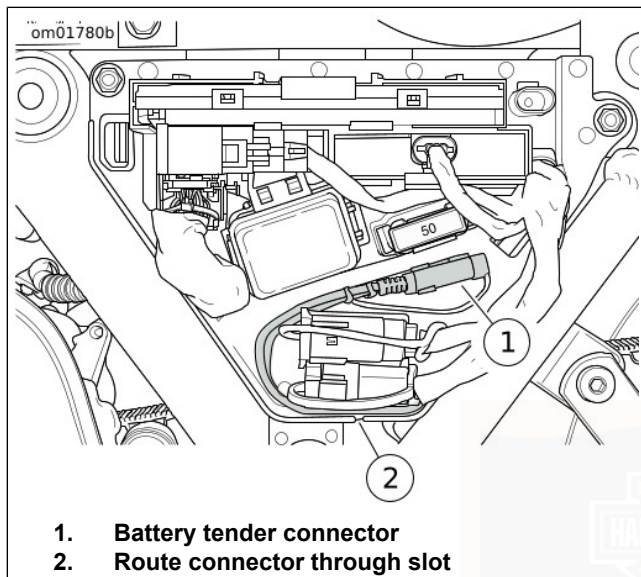


Figure 92. Battery Tender Connector (under left side cover)

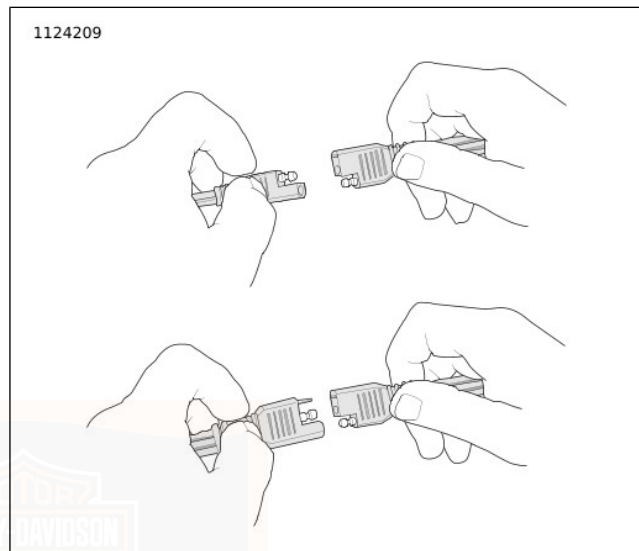


Figure 93. Battery Tender Connection
SIDE COVERS

See Figure 94. Remove side covers to access fuses and other components.

Remove: Pull side cover off.

Install: Align barbed studs on side cover with grommets in frame. Push in to secure cover.

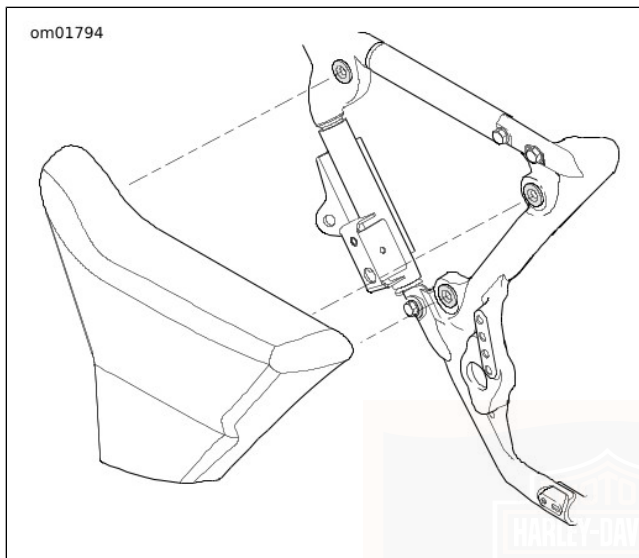


Figure 94. Side Cover

FUSES AND RELAYS

Main Fuse

See Figure 95. A 50 amp main fuse is located near the fuse block. Removing the main fuse disconnects power to all systems except the starter motor/solenoid.

In order to prevent damage to electrical components, use the following procedure to deactivate the electrical system before disconnecting power.

1. Verify that the hands-free fob is present.
2. Turn the ignition switch to ON position.
3. Remove the main fuse from its connector.

NOTE

Place the ignition switch in the OFF position before installing the main fuse.

System Fuses

NOTICE

Do not skip any steps for fuse replacement. Skipping fuse replacement steps can result in damage to the sound system and/or other motorcycle systems. (00223a)

See Figure 95. Fuses are located under left side cover.

If fuse replacement does not correct a problem, see a Harley-Davidson dealer for electrical diagnosis.

1. Turn ignition switch OFF.

2. Remove left side cover. See MAINTENANCE AND LUBRICATION > SIDE COVERS (Page 184).
3. Press in tabs on the left and right sides of fuse block cover. Remove the cover.
4. See Figure 96. Remove fuse and inspect the element.

NOTICE

Always use replacement fuses that are of the correct type and amperage rating. Use of incorrect fuses can result in damage to electrical systems. (00222a)

5. Replace the fuse if the element is burned or damaged.

NOTE

Use automotive-type fuses for replacements. The fuse block has spare fuses.

6. Install the fuse block cover.

7. Install left side cover.

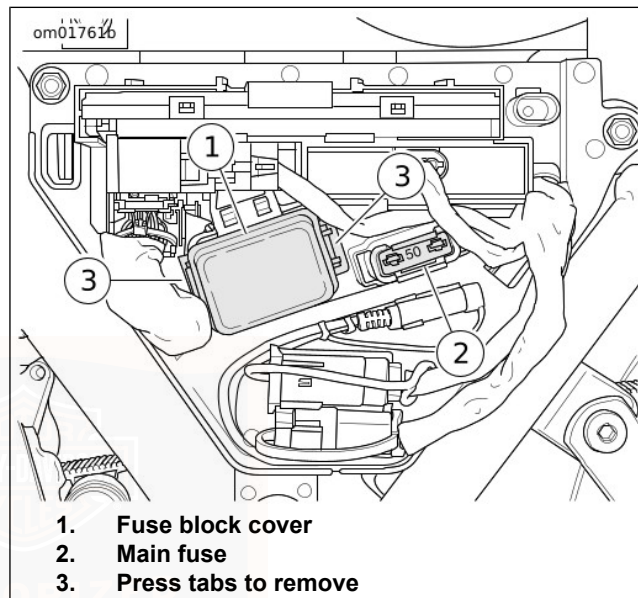
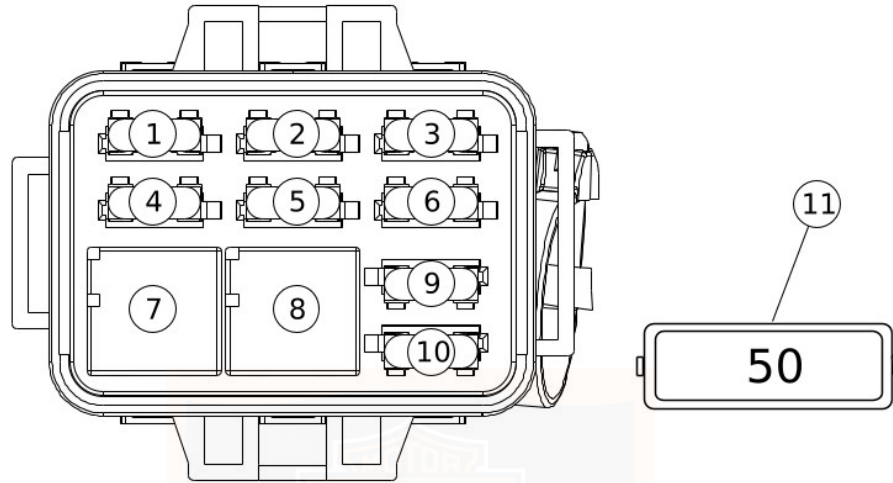


Figure 95. Fuse Block (under left side cover)

om01841



- 1. Radio power (30 A)
- 2. System power (7.5 A)
- 3. Battery (5 A)
- 4. P&A (20 A)
- 5. Cooling (15 A)
- 6. Spare (5 A)

- 7. P&A relay
- 8. Cooling relay
- 9. Spare (7.5 A)
- 10. Spare (20 A)
- 11. Main fuse (50 A)

Figure 96. Fuses and Relays

REVERSE MOTOR CIRCUIT BREAKER

The reverse motor circuit has a circuit breaker to prevent current overload conditions to the motor and power cabling.

1. If reverse motor does not run or cuts off during operation:
 - a. Perform reverse operation.
 - b. Turn off engine.
 - c. Remove right side cover. See MAINTENANCE AND LUBRICATION > SIDE COVERS (Page 184).
 - d. Check condition of circuit breaker.
 - e. See OPERATION > REVERSE OPERATION (Page 113).

See Figure 97. The circuit breaker is located in the electrical caddy behind the right side cover. This manually resettable circuit breaker has a red trip pushbutton (2) and a reset lever (1). To manually trip the circuit breaker, push down on the trip push button (which causes the reset lever to extend out).

If the reset lever is extended as shown, the reverse circuit is open/tripped. Push the reset lever into the center of the circuit breaker body until an audible click is heard to reset.

If the circuit breaker repeatedly opens under non-strenuous loading conditions or if the reverse motor will not operate after resetting circuit breaker, see a Harley-Davidson dealer.

NOTE

- *The reverse lamp in the instrument cluster illuminates even if the circuit breaker is tripped/open.*
 - *It is a normal function that the pinion on the reverse motor engages the ring gear when the circuit breaker is tripped. A **click** will be heard but there will not be reverse movement.*
2. Install right side cover. See MAINTENANCE AND LUBRICATION > SIDE COVERS (Page 184).
 3. Test reverse operation.

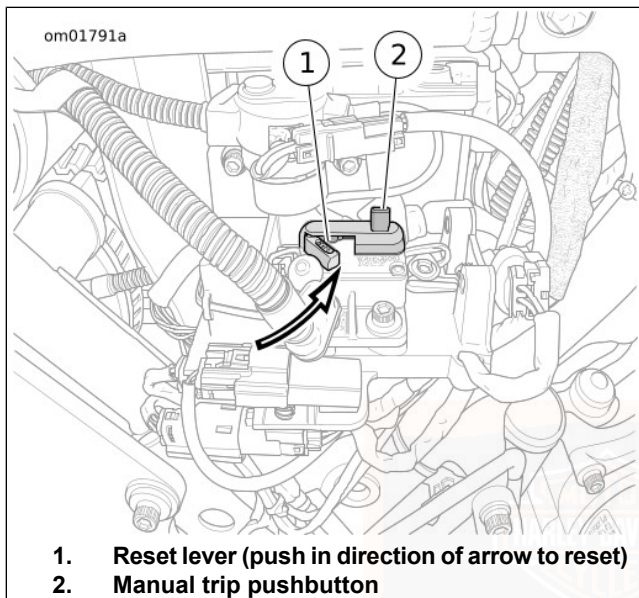


Figure 97. Reverse Motor Circuit Breaker

SEAT

Removal: FLRT

1. Remove screw securing rear of seat.
2. To protect body assembly finish, cover rear seat mounting bracket with palm of hand.

3. See Figure 98. While pushing seat forward, raise rear of seat until bracket clears top of body assembly. Push seat rearward slightly to free seat from tongue on rear fuel tank bracket.

Installation: FLRT

1. See Figure 99. Firmly push front of seat downward and forward until slot engages tongue.
2. Secure rear of seat with screw. Tighten to 5.4–8.1 N·m (48–72 in-lbs).
3. Pull up on the front and rear of seat to verify that it is properly secured.

Removal: FLHTCUTG

1. See CONTROLS AND INDICATORS > TOUR-PAK (Page 76). Open Tour-Pak to move passenger seat backrest out of the way.
2. Remove screw securing rear of seat.
3. To protect Tour-Pak finish, cover rear seat mounting bracket with palm of hand.

4. See Figure 98. While pushing seat forward, raise rear of seat until bracket clears top of Tour-Pak. Push seat rearward slightly to free seat from tongue on rear fuel tank bracket.

Installation: FLHTCUTG

1. See Figure 99. Place seat on frame backbone.
2. To protect finish of Tour-Pak, cover rear seat mounting bracket with palm of hand.
3. While raising rear of seat approximately 76.2 mm (3.0 in), use other hand to firmly push front of seat downward and forward until tongue engages slot in seat.
4. Push seat rearward until seat retention nut is centered in hole of mounting bracket.
5. Install seat mounting screw. Tighten to 5.4–8.1 N·m (48–72 in-lbs).
6. Pull up on the front and rear of seat to verify that it is properly secured.

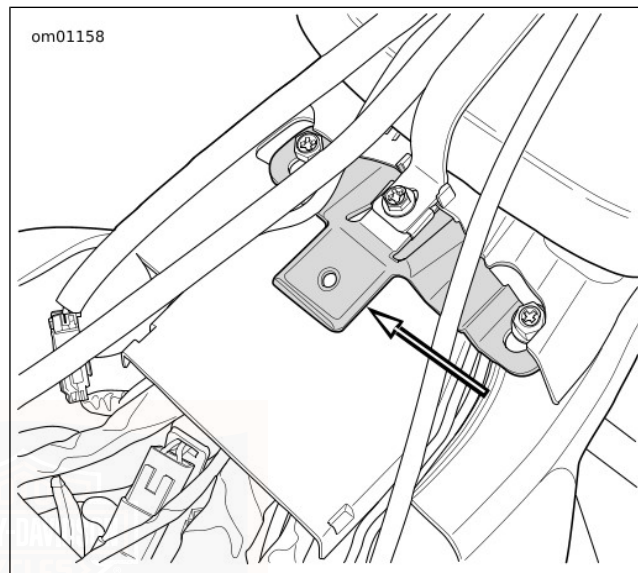


Figure 98. Seat Tongue

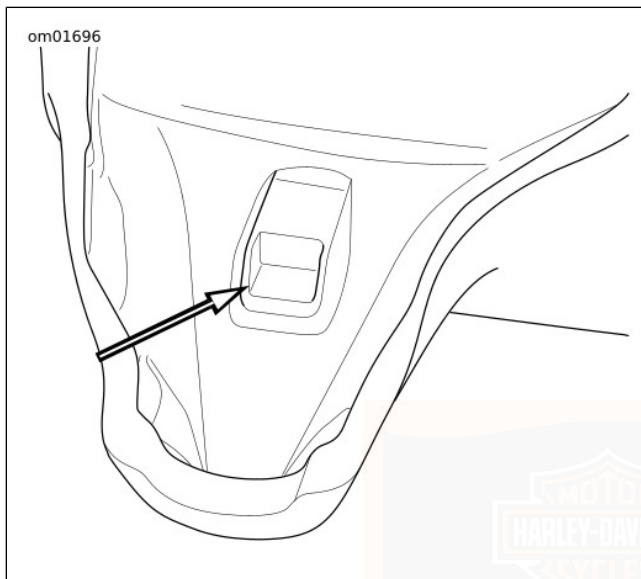


Figure 99. Seat Mounting Slot

REAR AXLE TIE DOWN LOOPS

The rear axle has steel loops on the bottom (left and right sides) which may be used to tie down the rear end of the vehicle when transporting on a trailer.

RADIO ANTENNA

The radio antenna mast is threaded on a mount at the rear of the vehicle. When installing, hand-tighten only.

MOTORCYCLE STORAGE

Placing Motorcycle in Storage

NOTICE

Proper storage is important for the trouble-free operation of your motorcycle. See your Owner's Manual for storage recommendations or see a Harley-Davidson dealer. Improper storage procedures can lead to equipment damage. (00046a)

If the motorcycle is not to be ridden for several months, such as during the winter season, there are several tasks which must be performed. These steps protect parts against corrosion, preserve the battery and prevent the build-up of gum and varnish in the fuel system.

If possible, store the motorcycle in a dry area with a stable temperature. Keep the motorcycle away from harsh chemicals or other substances such as fertilizers or salt.

▲ WARNING

Do not store motorcycle with gasoline in tank within the home or garage where open flames, pilot lights, sparks or electric motors are present. Gasoline is extremely flammable and highly explosive, which could result in death or serious injury. (00003a)

NOTE

Make a list of everything you do and fasten it to a hand grip. When you take the motorcycle out of storage, this list is your reference/checklist to get your motorcycle in operating condition.

1. Fill fuel tank. Add fuel stabilizer following manufacturer's instructions.
2. Warm motorcycle to operating temperature. Change oil and turn engine over to circulate the **new** oil.
3. Check and adjust belt if necessary.
4. Check tire pressure. Refer to Table 15 for specified pressure.

5. Protect the body panels, engine, chassis and wheels from corrosion. Follow the cosmetic care procedures described in the OWNER MANUAL > CARE AND CLEANING (Page 195) section before storage.
6. Prepare battery for storage. See MAINTENANCE AND LUBRICATION > BATTERY MAINTENANCE (Page 172).

NOTE

- *If the motorcycle is being stored with the security system armed, connect a 750MA SUPERSMART BATTERY TENDER (PART NUMBER: 66000038) to maintain battery charge.*
- *If the motorcycle is being stored with the security system disarmed, turn on the motorcycle while the hands-free fob is present. This operation prevents the optional siren from sounding. Disconnect the negative battery cable and prepare battery for storage. See MAINTENANCE AND LUBRICATION > BATTERY MAINTENANCE (Page 172).*

▲ WARNING

Explosive hydrogen gas, which escapes during charging, could cause death or serious injury. Charge battery in a well-ventilated area. Keep open flames, electrical sparks and smoking materials away from battery at all times. KEEP BATTERIES AWAY FROM CHILDREN. (00065a)

7. Use a material such as light canvas that can breathe to cover the motorcycle. Plastic materials that do not breathe promote the formation of condensation.
8. Remove the antennas or allow them to protrude through the cover, if equipped. Do not bend or tuck antennas under the cover.

Removing Motorcycle from Storage

⚠ WARNING

The clutch failing to disengage can cause loss of control, which could result in death or serious injury. Prior to starting after extended periods of storage, place transmission in gear and push vehicle back and forth several times to assure proper clutch disengagement. (00075a)

NOTE

*Lubricants contaminated with water have a milky white appearance. Replace contaminated lubricants with the appropriate **new** Harley-Davidson lubricant.*

1. Charge the battery.
2. Install battery. See MAINTENANCE AND LUBRICATION > BATTERY MAINTENANCE (Page 172).

3. Run motorcycle until engine is at normal operating temperature. Turn off engine.
4. Check engine oil level.
5. Check lubricant level.
6. Check controls to make sure that they are operating properly. Operate the front and rear brakes, throttle, clutch and shifter.
7. Check steering for smoothness by turning the handlebars through the full operating range.

⚠ WARNING

Be sure tires are properly inflated, balanced, undamaged, and have adequate tread. Inspect your tires regularly and see a Harley-Davidson dealer for replacements. Riding with excessively worn, unbalanced, improperly inflated, overloaded or damaged tires can lead to tire failure and adversely affect stability and handling, which could result in death or serious injury. (00014b)

8. Check tire pressure. Refer to Table 15 for specified pressure.

9. Check overall tire condition. See MAINTENANCE AND LUBRICATION > TIRES (Page 146).
10. Test all switches and lights for proper operation.
11. Check for any fluid leaks.

NOTICE

Turn engine over a few times to be sure there is no oil in the crankcase and that all oil has been pumped back into the oil tank. Stop engine and re-check oil level. Failure to do so can result in engine damage. (00071a)



CLEANING AND GENERAL CARE

Clean and protect the cosmetic surfaces on your motorcycle as often as possible to inhibit rust and corrosion. After the motorcycle is cleaned, polish and seal the motorcycle to create a barrier of protection against the weather and harsh substances.

Harley-Davidson cleaning products are tested extensively for use on vehicle surfaces. These products are formulated to be compatible with one another. See a Harley-Davidson dealer to purchase recommended cleaning products. Refer to Table 33 and Table 34.

NOTE

- *Use recommended surface care products. Do not use paper towels, terry cloths, cloth diapers or other materials with nylon fibers which can create fine scratches to surfaces.*
- *Dirty cleaning materials can scratch finished surfaces. Use only clean sponges and detailing cloths to prevent damage to the motorcycle.*
- *For repair of scratched surfaces, see a Harley-Davidson dealer.*

▲ WARNING

Observe warnings on labels of cleaning compounds. Failure to follow warnings could result in death or serious injury. (00076a)

▲ WARNING

Do not wash brake discs with cleaners containing chlorine or silicone. Cleaners containing chlorine and silicone can impair brake function, which could result in death or serious injury. (00077a)

NOTICE

Do not use a pressure washer to clean motorcycle. Using a pressure washer can result in equipment damage. (00489c)

NOTICE

Use of abrasive products or powered buffing equipment will cause permanent cosmetic damage to body panels. Use only recommended products and techniques outlined in this manual to avoid damaging body panels. (00245b)

Table 33. Recommended Cleaning and Care Products

PRODUCT PART NO.	PURPOSE	FRAME	BODY PANELS	WHEELS	DENIM FINISH	OTHER
BARE METAL POLISH 93600028 (U.S.) 93600083 (Non-U.S.)	Polishes non-clear coated polished aluminum or polished stainless steel surfaces. ⁽¹⁾	As applicable				
BLACK LEATHER REJUVENATOR 93600033 (U.S.) 93600081 (Non-U.S.)	Rejuvenates black leather products so they look brand new.	No	No	No	No	Black leather goods
BUG REMOVER 93600122 (U.S.) 93600140 (Non-U.S.)	Removes bugs from metal, plastic or painted surfaces.	Yes	Yes	Yes	Yes	
CHROME CLEAN & SHINE 93600031 (U.S.) 93600082 (Non-U.S.)	Shines chrome-plated surfaces and cleans brushed aluminum or stainless steel surfaces.	As applicable				
DENIM PAINT CLEANER 93600124 (U.S.) 93600127 (Non-U.S.)	Waterless quick cleaner and detailer.	Yes	Yes	Yes	Yes	
ENGINE BRIGHTENER 93600002 (U.S.) 93600068 (Non-U.S.)	Rejuvenates wrinkle black engine finish.	No	No	No	No	Wrinkle black engines
EVERYDAY DETAILER 93600157 (U.S.) 93600158 (Non-U.S.)	Cleans, shines, brightens and protects in a short amount of time.	Yes	Yes	Yes	No	

Table 33. Recommended Cleaning and Care Products

PRODUCT PART NO.	PURPOSE	FRAME	BODY PANELS	WHEELS	DENIM FINISH	OTHER
GRAPHENE SPRAY COATING 93600166 (U.S.) 93600169 (Non-U.S.)	Provides a protective barrier for glossy paint surfaces and chrome. Repels water and dust.	Yes	Yes	As applicable	No	
GLOSS DETAILER 93600123 (U.S.) 93600125 (Non-U.S.)	Produces high gloss with UV protection. Allows chrome to breathe, unlike wax. Good for windshields.	Yes	Yes	Yes	No	
HARLEY TRAVEL CARE KIT 93600149 (U.S. only)	Travel size cleaning and care products. (Not for use on denim finishes.)	Yes	Yes	Yes	No	
LEATHER PROTECTANT 93600034 (U.S.) 93600080 (Non-U.S.)	Weatherproofs and preserves leather products.	No	No	No	No	Leather goods
QUICK WASH 93600162 (U.S.) 93600171 (Non-U.S.)	A quick wash for a lightly soiled motorcycle. Cleans all surfaces, sheeting action prevents spots.	Yes	Yes	Yes	Yes	
SCRATCH & SWIRL REPAIR 93600155 (U.S.) 93600156 (Non-U.S.)	Removes fine scratches and swirls.	Yes	Yes	No	No	
SEAT, SADDLEBAG & TRIM CLEANER 93600167 (U.S.) 93600170 (Non-U.S.)	Cleans and conditions vinyl, leather and plastic. Use on seats, saddlebags, inner fairings and any other trim.	No	No	No	No	Seats, saddlebags and trim

Table 33. Recommended Cleaning and Care Products

PRODUCT PART NO.	PURPOSE	FRAME	BODY PANELS	WHEELS	DENIM FINISH	OTHER
SPRAY CLEANER & POLISH 93600029 (U.S.) 93600084 (Non-U.S.)	Aerosol quick cleaner and detailer. Reduces static attraction to dust. Works great for removing bugs. ⁽¹⁾	Yes	Yes	Yes	No	
SUNWASH BIKE SOAP 93600129 (U.S.) 93600141 (Non-U.S.)	Thorough washing of all surfaces with a wash mitt. Reduces hard water spots when washing a motorcycle in the sun.	Yes	Yes	Yes	Yes	
WHEEL & TIRE CLEANER 93600121 (U.S.) 93600126 (Non-U.S.)	Removes brake dust and road grime from wheels, tires and whitewalls. Do not use on frames or anodized parts.	No	No	Yes	No	Black-coated exhaust pipes and mufflers

(1) DO NOT use BARE METAL POLISH or SPRAY CLEANER & POLISH on coated aluminum wheels, protective coating will be removed.

Table 34. Recommended Surface Care Products

PRODUCT PART NO.	PURPOSE
BUG EATER SPONGE 93600110	When paired with water and BUG REMOVER, the BUG EATER SPONGE breaks down and dissolves baked on bugs and road grime.
CLEANING BRUSH KIT 94844-10	Brush kit for detailing your motorcycle.
DETAILING SWABS 93600107	Large cotton swabs for cleaning crevices and detailed surfaces.

Table 34. Recommended Surface Care Products

PRODUCT PART NO.	PURPOSE
DISPOSABLE DETAILING SOFT CLOTH 93600114	Non-absorbent cloth for applying and buffing SWIRL & SCRATCH REPAIR and GLAZE POLY SEALANT to painted surfaces or chrome.
HARLEY WASH BUCKET 94811-10	Wash bucket with apron to hold your supplies. Includes GRIT GUARD insert.
HOG BLASTER MOTORCYCLE DRYER 94651-09 (120 V) 94865-09 (220 V)	Blows a stream of warm dry filtered air. Reduces streaks and water spots.
MICROFIBER DETAILING CLOTH 94663-02	Highly absorbent detailing cloth for polishing and sealing. Contains no nylon fibers.
SYNTHETIC DRYING CHAMOIS 94791-01	Extra-absorbent, non-streaking synthetic towel for drying. Dampen towel and wring out before using for greatest absorbency.
WASH MITT 94760-99	Absorbent wool-blended washing mitten.
WHEEL & SPOKE BRUSH 43078-99	Cone-shaped scrub brush for wheels.

TRUNK

Before washing the motorcycle, make sure that the trunk door is securely closed with the latch engaged.

If door latch is not engaged, water can leak into the trunk. Water directed at the lock or seal area for an extended time can leak into trunk.

WASHING THE MOTORCYCLE

Use only recommended cleaning and care products. Refer to Table 33 and Table 34.

NOTE

During rinsing and washing, avoid direct spray on electrical components, air filter element and any luggage or saddlebag

sealing areas (if equipped). Avoid spraying water under leather saddlebag covers (if equipped).

Preparation

1. Allow motorcycle to cool before rinsing or washing. Spraying water on hot surfaces can leave water spots and mineral deposits.
2. Rinse the motorcycle from the bottom up.
3. To loosen dried bugs or hardened dirt, allow surfaces to soak under a damp towel.

Cleaning Wheels and Tires

1. Rinse wheel and tire surfaces. Avoid splashing brake dust on chrome or painted parts.
2. Apply WHEEL & TIRE CLEANER. Allow cleaner to set for one minute.
3. Clean the wheel with a BUG EATER SPONGE or WHEEL & SPOKE BRUSH. Thoroughly scrub all brake dust and other sediments off the wheel. Accumulated brake dust can trap moisture and dirt, which leads to wheel corrosion.
4. Rinse well.

Washing the Motorcycle

NOTE

See the appropriate instructions in this section for cleaning leather, denim (flat) finishes, windshields or other special surfaces.

1. If necessary, use BUG REMOVER to remove bug splatters.
 - a. Rinse the affected surfaces during preparation.
 - b. Spray the area with BUG REMOVER.
 - c. Wait one minute while the BUG REMOVER penetrates the bug splatters.
 - d. Use the BUG EATER SPONGE while washing to easily remove bugs.
2. Prepare the wash.
 - a. Fill a HARLEY WASH BUCKET with clean water.
 - b. Add SUNWASH BIKE SOAP, following the directions on the package.
 - c. Soak the WASH MITT and/or a BUG EATER SPONGE in the SUNWASH solution.
3. Wash all surfaces starting at the top working down toward the ground.

4. Rinse the motorcycle twice in both directions:
 - a. Rinse from the bottom up.
 - b. Rinse from the top down.

Drying the Motorcycle

1. Dry the surfaces from the top down using a SYNTHETIC DRYING CHAMOIS or a HOG BLASTER MOTORCYCLE DRYER. Avoid using any type of forced air on speakers or other sensitive components.
2. Dampen chamois in clean water and wring out the excess. The chamois is more absorbent when wet.
3. Wipe across the vehicle surface.
4. Repeat as necessary until surface is dry.

Polishing and Sealing

NOTE

If motorcycle has denim finish, skip the Polishing and Sealing procedure.

1. Apply GLAZE POLY SEALANT with a DISPOSABLE DETAILING SOFT CLOTH or MICROFIBER DETAILING CLOTH, following the instructions on the package.
2. Buff with a DISPOSABLE DETAILING SOFT CLOTH.

3. Polish and seal the wheels to prevent corrosion.

AUDIO SYSTEM CARE

Use only Harley-Davidson recommended products and methods to keep the radio, speakers and other audio system components clean and in good condition. Do not use any abrasives, polishes or rubbing compounds to clean the screen or other components. Do not use any ammonia-based cleaners on the screen. Use of other products or methods may cause damage to components.

Replaceable Screen Protector

Boom! Box 6.5GT radios have a replaceable screen protector. Keep the protector on the screen at all times. Damage to the screen due to use without the protector will not be covered under warranty. Remove and replace the protector if it becomes dull, scratched or worn.

Cleaning the Radio

Spray a light amount of HARLEY GLOSS on a MICROFIBER DETAILING CLOTH. Be careful to gently remove any sediments without rubbing them into the screen. Apply circular motions from the center and outwards. Use a dry MICROFIBER DETAILING CLOTH to dry the screen. Repeat the process as necessary.

NOTE

Do not use any screen enhancing chemicals or products. These can damage the screen surface.

Speaker Care

If a haze develops on speakers with a protective grille, use HARLEY SEAT, SADDLEBAG, AND TRIM CLEANER and a SOFTCLOTH or SOFT DETAILING PAD to clean. Do not apply wax or any other similar products on speaker grilles.

Do not use compressed or forced air on speakers.

Vehicles with saddlebag speakers are designed to prevent water intrusion and to allow water to drain during washing or riding in all weather. To remove any standing water from saddlebag speakers, open the saddlebags and gently shake any remaining water from the speakers.

DENIM FINISH CARE

Some motorcycles have a denim (flat or matte) finish. The denim finish has qualities which differ from high gloss finishes on all other Harley-Davidson motorcycles. Like denim fabric, denim paint burnishes or mars with age and use that adds character and personality to the finish. Refer to Table 33 for recommended products.

- If scratched, the color coat of paint does nick/scuff and these marks cannot be rubbed out.

202 Care and Cleaning

- If polished, the finish will become less matte and more glossy over time.

How to Clean

For light deposits: Use DENIM PAINT CLEANER and a MICROFIBER DETAILING CLOTH. This treatment helps remove finger prints and light soil.

For heavier deposits: Use either SUNWASH BIKE SOAP and a clean WASH MITT or QUICK WASH. Rinse thoroughly with clean water.

LEATHER AND VINYL CARE

NOTICE

Do not use bleach or detergents containing bleach on saddlebags, seats, tank panels or painted surfaces. Doing so can result in equipment damage. (00229a)

Do not use ordinary soap to clean leather or fur. It could dry or remove the oils from the leather.

Leather, vinyl and other synthetic surfaces must be periodically cleaned and treated to maintain its appearance and extend its life. Clean and treat these surfaces once a season or more frequently under adverse conditions.

These surfaces are not designed for long-term exposure to inclement weather. Protect these surfaces with an HARLEY-DAVIDSON SEAT RAIN COVER or MOTORCYCLE STORAGE COVER (sold separately).

1. Vacuum or blow dust off surface.
2. Thoroughly clean surfaces with SEAT, SADDLEBAG & TRIM CLEANER, following directions on the bottle.
3. Allow the material to dry naturally and completely at room temperature before applying other products to the material. Do not use artificial means to dry the material quickly.
4. For leather only, rejuvenate faded black surfaces with BLACK LEATHER REJUVENATOR. Apply LEATHER PROTECTANT to weatherproof and preserve the leather.

NOTE

Many Harley-Davidson accessories and seats are made of either treated or untreated leather or have leather inserts. Natural materials age differently and require different care than man-made materials. Seat covers and panels made of leather gain "character", such as wrinkles, with age. Leather is porous and organic and each leather product settles into its own distinct form with use. Your leather product matures into its own custom shape and style from the sun, rain and time. This maturing is natural and enhances the custom quality of your Harley-Davidson motorcycle.

FAIRING SPLITSTREAM VENT CARE

Keep the vent free of foreign objects. Periodically clean the vent mechanism to remove dirt, bugs and leaves, and to keep all parts from sticking. Clean the button and vent door if they become difficult to open or close.

1. With the vent door closed (button up), spray clean water into the area under the button.

▲ WARNING

Compressed air can pierce the skin and flying debris from compressed air could cause serious eye injury. Wear safety glasses when working with compressed air. Never use your hand to check for air leaks or to determine air flow rates. (00061a)

2. Blow low-pressure air in the same direction.
3. Using mild soapy water and a soft brush, remove dirt, leaves and bugs from vent duct and vent door.
4. Operate vent and repeat cleaning as necessary.

WHEEL CARE

Wheels can corrode or be cosmetically damaged if they are not properly cleaned, polished and preserved. Cleaning and sealing wheels with the proper treatment guards against pitting, corrosion, spots and stains. Harley-Davidson recommends that wheels be cared for weekly. Corrosion to wheels is not considered a defect in materials or workmanship.

NOTE

Bare aluminum wheels do not have a protective coating and corrode unless properly treated. Apply BARE ALUMINUM WHEEL PROTECTANT when purchasing the motorcycle and at least twice per year to prevent cosmetic damage.

Keep wheels clean from harsh chemicals, acid-based wheel cleaners, salt and accumulated brake dust. After washing wheels with WHEEL & TIRE CLEANER, use the polish and sealing products according to the type of wheels. Refer to Table 35.

Table 35. Wheel Polish and Sealing Products

WHEELS	PRODUCT	DESCRIPTION
Anodized	GRAPHENE	Cleans surface, removes fine scratches. Provides a breathable sealant against acid, chemicals, salt and brake dust.
	GLOSS DETAILER	Seals and protects against harsh chemicals, salt and other sediments to prevent corrosion.
Chrome	CHROME CLEAN & SHINE	Non-abrasive cleaner to brighten chrome wheels.
	GLOSS DETAILER	Seals and protects against harsh chemicals, salt and other sediments to prevent oxidation.
Polished and bare aluminum or stainless steel	BARE METAL POLISH ⁽¹⁾	Microabrasive polish to refurbish polished wheels. Do not use on chrome.

(1) DO NOT use BARE METAL POLISH on coated aluminum wheels, protective coating will be removed.

EXHAUST CARE

Allow exhaust components to cool before cleaning.

For chrome exhaust surfaces, apply Boot Mark Remover to remove boot marks, melted plastic or asphalt resin. Allow the gel to set for a few minutes, scrape off the melted material, and rinse clean.

For black-coated exhaust surfaces, apply Wheel & Tire Cleaner while motorcycle is wet during washing. Wipe or scrub exhaust surfaces and rinse clean.

NOTE

There is no warranty on exhaust pipes and mufflers with regard to any discoloration. Blueing is caused by tuning characteristics, cam timing, over-heating, and so on. It is not caused by defective manufacturing.

WINDSHIELD CARE

NOTICE

Polycarbonate windshields/wind deflectors require proper attention and care to maintain. Failure to maintain polycarbonate properly can result in damage to the windshield/wind deflector. (00483e)

NOTICE

Use only Harley-Davidson recommended products on Harley-Davidson windshields. Do not use harsh chemicals or rain sheeting products, which can cause windshield surface damage, such as dulling or hazing. (00231c)

- Powdered, abrasive or alkaline cleanser can damage windscreen/windshields. Ammonia-based window cleaners cause permanent yellow effects to windshields.
- Do not use gas station windshield cleaner as finish can be damaged.
- Do not use a brush or squeegee as finish can be damaged.
- Do not clean in hot sun or high temperature.

Windshields require special care. However, windshields can be washed with WINDSHIELD CLEANER - INDIVIDUAL WIPES, SUNWASH BIKE SOAP or QUICK WASH when washing the entire motorcycle. Refer to Table 33.

NOTE

- Use **BUG REMOVER** to soft bug splatters. Wipe clean with a **BUG EATER SPONGE**.
- Covering windshields with a clean, wet cloth for approximately 15-20 minutes before washing makes dried bug removal easier.

1. Use WINDSHIELD CLEANER to detail windshields.
2. Wipe dry with a clean MICROFIBER DETAILING CLOTH.

NOTE

To minimize swirl marks, clean windshield when the motorcycle is cool and parked in the shade. Faint swirl marks are normal. Swirl marks are more visible on tinted windshields.



TROUBLESHOOTING: GENERAL

⚠ WARNING

The troubleshooting section of the Owner's Manual is a guide to diagnose problems. Read the service manual before performing any work. Improper repair and/or maintenance could result in death or serious injury. (00080a)

Use the following checklists for troubleshooting. Carefully check each cause because more than one condition can cause trouble.

ENGINE

Starter Does Not Operate or Does Not Turn Engine Over

1. Engine OFF/RUN switch in OFF position.
2. Ignition switch not in IGNITION position.
3. Discharged battery or loose or corroded connections (solenoid chatters).
4. Clutch lever not squeezed against handlebar and front or rear brake applied or transmission not in neutral.
5. Main fuse not in place.

Engine Turns Over but Does Not Start

1. Fuel tank empty.
2. Fuel filter is clogged.
3. Discharged battery or loose or damaged battery terminal connections.
4. Fouled spark plugs.
5. Spark plug cable connections loose or in bad condition and shorting.
6. Loose or corroded wire or cable connections at coil or battery.
7. Fuel pump is inoperative.
8. Main fuse not in place.

Starts Hard

1. Spark plugs in bad condition, have improper gap or are partially fouled.
2. Spark plug cables in bad condition and leaking.
3. Battery nearly discharged.
4. Damaged or loose wire or cable connections at one of the battery terminals or at ignition coil.
5. Engine oil too heavy (cold-weather operation).
6. Water or dirt in fuel system.

7. Fuel pump is inoperative.

Starts but Runs Irregularly or Misses

1. Spark plugs in bad condition or partially fouled.
2. Spark plug cables in bad condition and leaking.
3. Spark plug gap too close or too wide.
4. Battery nearly discharged.
5. Damaged wire or loose wire connection at ignition coil, battery or ECM connector.
6. Intermittent short circuit due to damaged wire insulation.
7. Water or dirt in fuel system.
8. Fuel vent system plugged. See dealer.
9. One or more injectors fouled.

A Spark Plug Fouls Repeatedly

1. Fuel mixture too rich.
2. Incorrect spark plug.

Pre-ignition or Detonation (Knocks or Pings)

1. Incorrect fuel.
2. Incorrect spark plug for the kind of service.

Overheats

1. Insufficient oil supply or oil not circulating.
2. Heavy carbon deposit from lugging engine. See dealer.
3. Insufficient air flow over cylinder heads during extended periods of idling or parade duty.

Excessive Vibration

1. Rear fork pivot shaft nuts loose. See dealer.
2. Front engine mounting bolts loose. See dealer.
3. Engine to transmission mounting bolts loose. See dealer.
4. Damaged frame. See dealer.
5. Front chain or links tight as a result of insufficient lubrication or belt badly worn.
6. Wheels and/or tires damaged. See dealer.
7. Vehicle not properly aligned. See dealer.
8. Steering head damper worn or damaged. See dealer.
9. Panhard rod fasteners loose. See dealer.

Engine Oil Not Circulating (Oil Pressure Lamp Lit)

1. Insufficient or diluted oil supply.
2. Oil feed clogged with ice and sludge in freezing weather.

3. Grounded oil signal switch wire or faulty signal switch. See dealer.
4. Damaged or improperly installed check valve. See dealer.
5. Oil pump problem. See dealer.

ELECTRICAL SYSTEM

Alternator Does Not Charge

1. Regulator not grounded. See dealer.
2. Engine ground wire loose or damaged. See dealer.
3. Loose or damaged wires in charging circuit. See dealer.

Alternator Charge Rate is Below Normal

1. Weak battery.
2. Excessive use of add-on accessories.
3. Loose or corroded connections.
4. Extensive periods of idling or low speed riding.

TRANSMISSION

Transmission Shifts Hard

1. Bent shifter rod. See dealer.

Transmission Jumps Out of Gear

1. Worn shifter dogs in transmission. See dealer.

Clutch Slips

1. Clutch fluid master cylinder overfilled. See dealer.
2. Worn friction discs. See dealer.
3. Insufficient clutch spring tension. See dealer.

Clutch Drags or Does Not Release

1. Insufficient fluid or air in system. See dealer.
2. Primary chaincase overfilled.
3. Clutch discs warped. See dealer.

Clutch Chatters

1. Friction discs or steel discs worn or warped. See dealer.

BRAKES

Brakes Do Not Hold Normally

1. Master cylinder low on fluid. See dealer.
2. Brake line contains air bubbles. See dealer.
3. Master or wheel cylinder piston worn. See dealer.
4. Brake pads contaminated with grease or oil. See dealer.

5. Brake pads badly worn. See dealer.
6. Brake disc badly worn or warped. See dealer.
7. Brake fades because of heat build-up. Excessive braking or brake pads dragging. See dealer.
8. Brake drags. Insufficient hand lever free play. See dealer.

Parking Brake Does Not Hold Normally

1. Rear brake pads slightly worn in. Adjust parking brake.
2. Rear brake pads worn. See dealer.

COOLING SYSTEM: TWIN-COOLED MODELS

Overheats

1. Low coolant level.
2. Restricted radiator air flow.
3. Coolant pump or fans inoperative. See dealer.
4. Vent hose crimped.
5. Air in coolant.

REVERSE MOTOR

Reverse Motor Does Not Operate/Cannot Enable

1. Vehicle not started or vehicle not in neutral.
2. Reverse motor circuit breaker open/tripped.

HANDLING

Irregularities

1. Improperly loaded motorcycle. Non-standard equipment on the front end such as heavy radio receivers, extra lighting equipment or luggage tends to cause unstable handling.
2. Damaged tire(s) or improper front-rear tire combination.
3. Irregular or peaked front tire tread wear.
4. Incorrect tire pressure.
5. Shock absorber not functioning normally. See dealer.
6. Incorrect air suspension pressure.
7. Loose front wheel axle nuts or rear wheel lug nuts. Tighten to recommended torque specification. See dealer.
8. Rear axle out of alignment with frame and front wheel. See dealer.

9. Steering head bearings improperly adjusted. Correct adjustment and replace pitted or worn bearings and races. See dealer.
10. Damaged or inoperative steering damper.
11. Tire and wheel unbalanced. See dealer.
12. Rear fork pivot assembly: improperly tightened or assembled, or loose/pitted or damaged pivot bearings. See dealer.
13. Engine mounts and/or stabilizer links loose, worn or damaged. See dealer.
14. Uneven rear brake operation. See dealer.
15. Loose rear axle bearing cap bolts or bearing retainer nuts. See dealer.



NOTES



GENUINE MOTOR PARTS AND ACCESSORIES

Stop at your Harley-Davidson dealer to pick up a copy of the Genuine Motor Parts and Accessories catalog or go to www.harley-davidson.com to view thousands of Genuine Motor Accessories that are available for Harley-Davidson motorcycles.

The website includes the following tools and resources for accessorizing and personalizing your motorcycle.

Online Catalog

The full Genuine Motor Parts and Accessories catalog is available online in PDF format. The catalog includes hundreds of pages of Harley-Davidson accessories and maintenance products. For performance parts, check out the Screamin' Eagle Pro Racing Parts catalog.

NOTE

Performance parts may not be available in some countries due to local restrictions. See your Harley-Davidson dealer for more information.

Shop for Your Bike

Browse through categories of accessories and options available specifically for your motorcycle. View product

descriptions, pricing, fitment and online instruction sheets for many of the available products.

Customizer

Virtually redesign your motorcycle with parts and accessories using the Customizer. This tool allows you to experiment with different accessory and color combinations and shows how your motorcycle would look with the accessories installed. You can easily create a custom list of accessories to print out for your dealer.

Fit Shop

Learn how to customize your motorcycle to fit you personally. See how making changes to the suspension, seat, handlebars or foot controls can enhance the ergonomics and comfort of your motorcycle.

Custom Seats

Create a custom seat using selected designs, colors and textured materials. Custom seat specifications can be easily printed out for your dealer.

CUSTOM COVERAGE

Add Accessories to Your New Motorcycle

NOTE

Custom Coverage is not offered in some regions. See an authorized Harley-Davidson dealer to determine the parts and accessories warranty policies, terms and conditions in your area.

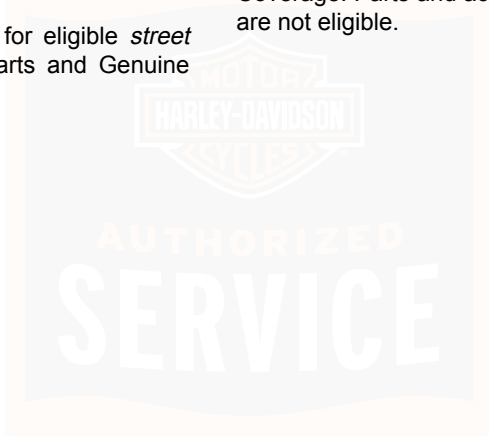
Harley-Davidson offers the Custom Coverage extended limited warranty for parts and accessories that are purchased and installed at an authorized Harley-Davidson dealer within 60 days after retail purchase of the motorcycle.

This limited warranty provides coverage for eligible *street legal* Genuine Harley-Davidson Motor Parts and Genuine

Harley-Davidson Motor Accessories. This extended coverage on parts and accessories remains in effect for the remainder of the Harley-Davidson Motorcycle Limited Warranty for the vehicle. See OWNER MANUAL > LIMITED MOTORCYCLE WARRANTY (Page 221).

Purchases qualifying for Custom Coverage must be made at an authorized Harley-Davidson dealership within 60 days after retail purchase. Additional parts and accessories may be purchased and installed as often as desired within 60 days after retail purchase of the motorcycle.

Parts and accessories must be purchased and installed at an authorized Harley-Davidson dealership to qualify for Custom Coverage. Parts and accessories purchased via the internet are not eligible.



WARRANTY AND MAINTENANCE

This owner's manual contains your new motorcycle limited warranty and your owner's maintenance record.

It is your responsibility as the owner to follow the maintenance schedule at the mileage intervals as specified in the owner's manual. All of the specified maintenance services must be performed on schedule to keep your limited warranty valid.

Some countries, states or other locations may require all regular maintenance and service work to be done by an authorized Harley-Davidson dealer for your limited warranty to remain in effect. Check with your authorized Harley-Davidson dealer for local requirements.

1. Make an appointment with a Harley-Davidson dealer for inspection and service prior to the first 1,600 km (1000 mi), and as soon as possible after any issue arises.
2. Bring this owner's manual with you when you visit your authorized Harley-Davidson dealer to have your motorcycle inspected and serviced.
3. Have the dealer technician sign the maintenance record in the owner's manual at the proper mileage interval. These records should be retained by the owner as proof of proper maintenance.
4. Keep receipts covering any parts, service or maintenance performed.

These records should be transferred to each subsequent owner.

Use only Harley-Davidson approved parts and accessories that have been designed, tested and approved for your model and model year motorcycle.

Use of aftermarket performance parts may void all or parts of your limited warranty. See an authorized Harley-Davidson dealer for details.

Harley-Davidson authorized dealerships are independently owned and operated and may sell and install parts and accessories that are not manufactured or approved by Harley-Davidson for use on your motorcycle. Therefore, you should understand that Harley-Davidson is not and cannot be responsible for the quality, suitability, or safety of any non-Harley-Davidson part, accessory or design modification, including labor, which may be sold and/or installed by authorized Harley-Davidson dealerships.

KEEPING IT ALL HARLEY-DAVIDSON

Genuine Harley-Davidson parts are engineered and tested specifically for use on your motorcycle. Insist that your authorized Harley-Davidson dealer uses only genuine Harley-Davidson replacement parts and accessories to keep your Harley-Davidson motorcycle and its limited warranty intact. Not all Harley-Davidson parts and accessories are appropriate for your model or model year motorcycle.

NOTICE

It is possible to overload the vehicle's charging system by adding too many electrical accessories. If the combined electrical accessories operating at any one time consume more electrical current than the vehicle's charging system can produce, the electrical consumption can discharge the battery and cause damage to the vehicle's electrical system. (00211d)

NOTE

Installing off-road or competition parts to enhance performance may void all or parts of your limited warranty. See the Harley-Davidson Motorcycle Limited Warranty in this owner's manual or an authorized Harley-Davidson dealer for details.

CALIFORNIA AND SELECT INTERNATIONAL MARKETS EVAPORATIVE EMISSION CONTROLS

All new Harley-Davidson motorcycles sold in the State of California and select international markets have an evaporative emission control system. This system is designed to meet CARB and local regulations in effect at the time of manufacture.

The system requires a small amount of maintenance. Periodically inspect system to verify that hoses are properly routed, not kinked or blocked and that all fittings are secure. Periodically check mounting hardware for tightness.

216 Warranties and Responsibilities

EPA NOISE REGULATIONS IN THE UNITED STATES

EPA noise regulations require that the following statements be included in the Owner's Manual.

EPA Regulations

TAMPERING WITH NOISE CONTROL SYSTEM PROHIBITED: Federal law prohibits the following acts or the causing thereof: (1) The removal or rendering inoperative by any person other than for purposes of maintenance, repair, or replacement of any device or element of design incorporated into any new vehicle for the purpose of noise control prior to its sale or delivery to the ultimate purchaser or while it is in use, or (2) the use of the vehicle after such device or element of design has been removed or rendered inoperative by any person.

AMONG THOSE ACTS PRESUMED TO CONSTITUTE TAMPERING ARE THE FOLLOWING:

1. Replacing the muffler(s) and/or the entire exhaust system with parts not certified to be noise legal for street use.
2. Removing or modifying the muffler internal baffles in any way.
3. Replacing the air intake/cleaner assembly with one not certified to be noise legal for street use.

4. Modifying the air intake/cleaner assembly in such a way as to make the vehicle no longer noise legal for street use.

Harley-Davidson recommends that any and all noise related maintenance be done by an authorized Harley-Davidson dealer using Genuine Harley-Davidson parts.

WARRANTY/SERVICE INFORMATION

Any authorized Harley-Davidson dealer may provide warranty repair work on your motorcycle. The fact that an authorized Harley-Davidson dealership performs warranty repairs does not create an agency relationship between Harley-Davidson and the authorized dealership. If you have any questions regarding warranty obligations contact your authorized Harley-Davidson dealer.

For normal service work or warranty work under the above conditions, you may obtain the name and location of your nearest U.S. authorized Harley-Davidson dealer by calling 1-800-258-2464 (U.S. only). To find dealers worldwide, see www.harley-davidson.com.

REPORTING SAFETY DEFECTS IN THE UNITED STATES

Safety defects must be reported to the National Highway Traffic Safety Administration (NHTSA) and Harley-Davidson.

NHTSA Statement

If you believe that your motorcycle has a defect which could cause a crash or could cause injury or death, you should immediately inform the National Highway Traffic Safety Administration (NHTSA) in addition to notifying Harley-Davidson.

If NHTSA receives similar complaints, it may open an investigation, and if it finds that a safety defect exists in a group of motorcycles, it may order a recall and remedy campaign. However, NHTSA cannot become involved in individual problems between you, your authorized Harley-Davidson dealer, or Harley-Davidson.

You can contact NHTSA through the following means. Additional information about motor vehicle safety is available through the website.

Telephone: Vehicle Safety Hotline (toll-free) at 1-888-327-4236 (TTY: 1-800-424-9153).

Website: www.safercar.gov

Address: Administrator, NHTSA, 400 Seventh Street SW, Washington, DC 20590

REQUIRED DOCUMENTATION FOR IMPORTED MOTORCYCLES

If a Harley-Davidson motorcycle is imported into the United States, additional documentation is required for that motorcycle to be eligible for the United States Harley-Davidson Motorcycle Limited Warranty. An authorized Harley-Davidson dealer can provide a form explaining the requirements.

OWNER CONTACT INFORMATION

If you move from your present address, sell your motorcycle, or purchase a pre-owned Harley-Davidson motorcycle, see an authorized Harley-Davidson dealer to update your owner contact information.

This will provide Harley-Davidson with an accurate registration (as required by law in some countries), and will allow Harley-Davidson to notify you in the event of a recall or product program.

The rights and benefits conferred upon you and the obligations of Harley-Davidson as set forth herein are separate and distinct from any rights and duties set forth in any service contract you may have purchased from a dealership and/or third-party insurance company. Harley-Davidson does not authorize any entity to expand Harley-Davidson's warranty obligations in connection with your motorcycle or this limited warranty.

When updating your contact information, your authorized Harley-Davidson dealer will need your Vehicle Identification Number (VIN), odometer mileage, and date of vehicle transfer (if applicable).

QUESTIONS AND CONCERNS

If you have questions or concerns regarding the performance of your motorcycle or the application of the limited warranty described here, or are not satisfied with the service you are receiving from an authorized Harley-Davidson dealership, do the following:

1. Contact the selling and/or servicing dealership and speak to the sales and/or service manager.
2. If your concern cannot be addressed to your satisfaction by the dealership, contact the Harley-Davidson Customer Support Center by mailing your concern to the following address or calling the phone number below.

In the U.S., state warranty laws, often referred to as lemon laws, may provide you with certain rights not specifically mentioned here. To the extent allowed by your state, Harley-Davidson requests that you first send written notification of any defect or warranty non-conformity that you have experienced with your motorcycle to Harley-Davidson. Harley-Davidson appreciates the opportunity to investigate your concerns and restore your satisfaction in your motorcycle by making the necessary repairs consistent with the terms of

Harley-Davidson's limited warranty. Harley-Davidson requests that you send your complaint to the Harley-Davidson Customer Support Center.

- Harley-Davidson Motor Company Attention:
Harley-Davidson Customer Support Center P.O. Box 653
Milwaukee, Wisconsin 53201 1-800-258-2464 (U.S. only)
1-414-343-4056

This warranty does not mean that each Harley-Davidson motorcycle is free from defects. Defects may be unintentionally introduced into motorcycles during the design and manufacturing processes and such defects could result in the

need for repairs. For this reason, Harley-Davidson provides the Limited Warranty in order to remedy any such defects that result in a component malfunction or failure during the warranty period. The remedy under this written warranty, and any implied warranty, is limited to repair, replacement or adjustment of the defective part. This exclusive remedy shall not be deemed to have failed its essential purpose so long as Harley-Davidson, through its authorized dealers, is willing and able to repair, replace or adjust defective parts in the prescribed manner. Harley-Davidson's liability, if any, shall in no event exceed the cost of correcting any defect as herein provided and upon expiration of this warranty, any such liability shall terminate.



NOTES



2017 HARLEY-DAVIDSON MOTORCYCLE LIMITED WARRANTY

24 Months/Unlimited Miles

Harley-Davidson warrants for any new 2017 Harley-Davidson motorcycle that an authorized Harley-Davidson dealer will repair or replace without charge any parts found under normal use to be defective in factory materials or workmanship. Such repair or replacement of defective parts will be Harley-Davidson's sole obligation and your sole and exclusive remedy under this limited warranty. This limited warranty applies only for the duration identified below.

No person, including Harley-Davidson dealers, may modify, extend or waive any part of this warranty.

As a condition of this warranty, you are responsible for properly using, maintaining, and caring for your motorcycle as outlined in your Owner Manual. Harley-Davidson recommends that you maintain copies of all maintenance records and receipts.

THERE IS NO OTHER EXPRESS WARRANTY (OTHER THAN THE SEPARATE EMISSIONS, NOISE, AND RADIO LIMITED WARRANTIES) ON THE MOTORCYCLE. Any implied warranty of merchantability or fitness for particular purpose is limited to the duration of the express warranty, or to the duration set forth in your state's warranty statutes,

whichever is shorter. Any implied warranty is not transferred to subsequent purchasers/buyers of the motorcycle.

The implied warranty of fitness for a particular purpose does not apply if your motorcycle is used for racing, even if the motorcycle is equipped for racing.

Some states do not allow limitations on how long an implied warranty lasts, so the above limitation may not apply to you.

TO THE FULLEST EXTENT ALLOWED BY LAW, NEITHER HARLEY-DAVIDSON NOR ITS AUTHORIZED DEALERS SHALL BE LIABLE FOR LOSS OF TIME, INCONVENIENCE, LOSS OF MOTORCYCLE USE, COMMERCIAL LOSS OR ANY OTHER INCIDENTAL OR CONSEQUENTIAL DAMAGES.

Harley-Davidson and your dealer are not responsible for any time or income that you lose, any inconvenience, the loss of your transportation or use of your motorcycle, the cost of a rental motorcycle, fuel, travel, meals, or lodging, or for any other incidental or consequential damages you may have.

Punitive, exemplary, or multiple damages may not be recovered unless applicable law prohibits their disclaimer. You may not bring any warranty-related claim as a class representative, a private attorney general, a member of a class of claimants or in any other representative capacity. Harley-Davidson shall not be liable for any damages caused

by delay in delivery or furnishing of any products and/or services.

Some states do not allow the exclusion or limitation of incidental or consequential damages, so the above limitation or exclusion may not apply to you.

This warranty gives you specific legal rights, and you may also have other rights which vary from state to state.

The following terms and conditions apply to this limited warranty:

Duration

1. The duration of this limited warranty is twenty-four months, starting from the earlier of (a) the date of initial retail purchase and delivery of the motorcycle from an authorized Harley-Davidson dealer, or (b) the third anniversary of the last day of the model year of the motorcycle. Your authorized Harley-Davidson dealer will submit an electronic Sales and Warranty Registration form to initiate your limited warranty.
2. Any unexpired portion of this limited warranty will be transferred to subsequent owners, upon the resale of the motorcycle during the limited warranty period.

Owner's Obligations

To obtain warranty service, return your motorcycle at your expense within the limited warranty period to an authorized Harley-Davidson dealer. The authorized Harley-Davidson dealer should be able to provide warranty service during normal business hours, depending upon the workload of the authorized dealer's service department and the availability of necessary parts.

Exclusions

This limited warranty will not apply to any motorcycle.

1. Which has not been operated or maintained as specified in the owner's manual.
2. Which has been abused, neglected, misused, improperly stored, used "off the highway," or used for racing or competition of any kind.
3. Which is not manufactured to comply with the laws of the market in which it is registered.

4. Which has off-road or competition parts installed to enhance performance, a trailer hitch, or has other unapproved modifications (even if these modifications include genuine Harley-Davidson parts and accessories that are not approved for use on your motorcycle). These modifications may void all or parts of your new motorcycle limited warranty. See an authorized Harley-Davidson dealer for details.
 5. Which has been subjected to an act of God, war, riot, insurrection, nuclear contamination, natural disasters, including, but not limited to, lightning, forest fires, dust storms, hail storms, ice storms, earthquakes, or floods, or other circumstances out of Harley-Davidson's control.
 6. Which has been in an accident or collision or has been dropped or struck.
2. Cosmetic concerns that arise as a result of owner abuse, lack of proper maintenance or environmental conditions (except concerns that result from defects in factory materials or workmanship, which are covered by this limited warranty for the duration of the limited warranty period).
 3. Any cosmetic condition existing at the time of retail delivery that has not been documented by the authorized Harley-Davidson selling dealer prior to retail delivery.
 4. Defects or damage to the motorcycle caused by alterations outside of Harley-Davidson's factory specifications or caused by alterations or use of parts or accessories not approved for the make and model year of your motorcycle.
 5. Damage caused by installation or use of non-Harley-Davidson components, even those installed by an authorized Harley-Davidson dealership, that cause a Harley-Davidson part to fail. Examples include, but are not limited to performance-enhancing powertrain components or software, exhaust systems, trailer hitches, non-approved tires, lowering kits, handlebars, and add-ons connected to the factory electrical system.

Other Limitations

This limited warranty does not cover:

1. Parts and labor for normal maintenance as recommended in the owner's manual, or the replacement of parts due to normal wear and tear including, but not limited to, the following: tires, lubrication, oil and filter change, fuel system cleaning, battery maintenance, engine tune-up, spark plugs, brake, clutch, chain/belt adjustment and chain replacement.

Important: Read Carefully

1. Authorized Harley-Davidson dealers are independently owned and operated and may sell non-Harley-Davidson products. Because of this, HARLEY-DAVIDSON IS NOT RESPONSIBLE FOR THE SAFETY, QUALITY, OR SUITABILITY OF ANY NON-HARLEY-DAVIDSON PART, ACCESSORY OR DESIGN MODIFICATION INCLUDING, BUT NOT LIMITED TO, LABOR WHICH MAY BE SOLD AND/OR INSTALLED BY AUTHORIZED HARLEY-DAVIDSON DEALERS.
2. This limited warranty is a contract between you and Harley-Davidson. It is separate and apart from any warranty you may receive or purchase from an authorized Harley-Davidson dealer. An authorized Harley-Davidson dealer is not authorized to alter, modify, expand, or in any way change the terms and conditions of this limited warranty.
3. Any warranty work or parts replacement authorized by Harley-Davidson will not preclude Harley-Davidson from later relying on any exclusion where applicable.
4. Harley-Davidson and its authorized dealers reserve the right to modify or service motorcycles designed and manufactured by Harley-Davidson at any time without incurring any additional obligation to make the same alteration or change to a motorcycle previously built and sold. Harley-Davidson reserves the right to provide post-warranty repairs, conduct repair campaigns, offer good-will or customer satisfaction repairs or extend the warranty coverage for certain motorcycles at its sole discretion. Said repairs or extensions of warranty coverage in no way obligates Harley-Davidson to provide similar accommodations to other owners of similar motorcycles. Sometimes Harley-Davidson may offer a special adjustment program to pay all or part of the cost of certain repairs beyond the terms of your limited warranty. Check with your authorized Harley-Davidson dealer to learn whether such programs are available to you. Your state may prohibit these types of offers, in which case, they may not be available to you.
5. The fact that a part is labeled or branded Harley-Davidson does not necessarily make it appropriate or warranted for the make and model of your motorcycle. The use of parts not designed and tested for your motorcycle may have negative consequences on the performance of your motorcycle and may create conditions not covered by this limited warranty.

2017 AUSTRALIA/NEW ZEALAND HARLEY-DAVIDSON MOTORCYCLE MANUFACTURER'S LIMITED WARRANTY

24 Months/Unlimited Miles

This motorcycle limited warranty, referred to below as the "H-D Motorcycle Warranty" applies to all persons who purchase a new 2017 or prior-model Harley-Davidson motorcycle in Australia and New Zealand only after 1st January 2017.

Your Consumer Rights

The benefits given to you under this H-D Motorcycle Warranty are additional to, and do not detract from, other rights and remedies that you may have in respect of the motorcycle under Australian and New Zealand laws, including consumer protection laws.

In Australia, our goods come with guarantees that cannot be excluded under the Australian Consumer Law. You are entitled to a replacement or refund for a major failure and compensation for any other reasonably foreseeable loss or damage. You are also entitled to have the goods repaired or replaced if the goods fail to be of acceptable quality and the failure does not amount to a major failure.

In New Zealand, our goods also come with guarantees that cannot be excluded under the New Zealand Consumer Guarantees Act.

Warranty

This H-D Motorcycle Warranty, is provided by **Harley-Davidson, Motor Company**, P.O. Box 653, Milwaukee, Wisconsin 53201, U.S.A, phone: +1 (414) 343-4056, ("Harley-Davidson").

Harley-Davidson warrants for any new 2017 Harley-Davidson motorcycle that an authorised Harley-Davidson dealer will repair or replace without charge any parts found to be defective in factory materials or workmanship under normal use during the warranty period set out below.

Such repair or replacement of parts will be Harley-Davidson's sole obligation and your sole remedy under this H-D Motorcycle Warranty, however you may have other rights under Australian and New Zealand laws, as described above.

Note: Goods presented for repair may be replaced by refurbished goods of the same type rather than being repaired. Refurbished parts may be used to repair goods.

The following terms and conditions apply to this H-D Motorcycle Warranty:

Warranty Period

The duration of this H-D Motorcycle Warranty is twenty-four months, starting from the earlier of:

- (a) the date of delivery by an authorised Harley-Davidson dealer to the first retail purchaser; or
- (b) the third anniversary of the last day of the model year of the motorcycle (if not sold to a retail purchaser before that date).

Your authorised Harley-Davidson dealer will submit an electronic Sales and Warranty Registration form to initiate your H-D Motorcycle Warranty.

Note: If the motorcycle was used as a demonstrator or company motorcycle, then the warranty period may have started and/or expired prior to the initial retail sale. See an authorised Harley-Davidson dealer for details.

Any unexpired portion of this H-D Motorcycle Warranty will be transferred to subsequent owners, upon the resale of the motorcycle during the warranty period. See the OWNER CONTACT INFORMATION section of the Owner's Manual for information regarding notification of ownership changes.

Obtaining Warranty Service

To obtain warranty service, return your motorcycle at your expense within the warranty period to an authorised dealer.

Harley-Davidson's network of authorised dealers is large, and continues to expand. To find current contact information for your nearest authorised dealer, visit our website at www.h-d.com.au.

The authorised Harley-Davidson dealer should be able to provide warranty service during normal business hours and as soon as possible, depending upon the workload of the authorised dealer's service department and the availability of necessary parts

You are responsible for collecting the motorcycle from the authorized dealer once the warranty service has been completed, at your expense.

Exclusions

This H-D Motorcycle Warranty will not apply to any motorcycle (or part or accessory):

1. Which has not been operated or maintained as specified in the Owner's Manual.
2. Which has been abused, neglected, misused, improperly stored, used "off the highway," or used for racing or competition of any kind.
3. Which was not originally manufactured for use or sold in Australia and New Zealand and/or does not comply with Australian and New Zealand homologation requirements.

4. Which has off-road or competition parts installed to enhance performance, or has unapproved modifications. These modifications may void all or part of your new H-D Motorcycle Warranty. See an authorised Harley-Davidson dealer for details.
5. Where damage is caused by, or Harley-Davidson is unable to honour this H-D Motorcycle Warranty due to, acts of God, war, riot, insurrection, natural disasters, including, but not limited to, nuclear contamination, lightning, forest fires, dust storms, hail storms, ice storms, earthquakes, floods, or other circumstances out of Harley-Davidson's control.
6. Which has been in an accident, collision, dropped or struck.

Note: Even though this H-D Motorcycle Warranty does not apply in the circumstances set out above, you may still have rights under Australian and New Zealand laws, including the Australian Consumer Law in such circumstances.

Other Limitations

This H-D Motorcycle Warranty does not cover:

1. Parts and accessories not manufactured by Harley-Davidson, or any damage caused to the motorcycle by the installation of such parts and accessories, even if such parts and accessories are installed on the motorcycle at the date of initial retail purchase. A separate third party warranty may apply to such parts and accessories. See an authorised Harley-Davidson dealer for details.
2. Parts and labour for normal maintenance as recommended in the Owner's Manual, or the replacement of parts due to normal wear and tear including, but not limited to, the following: tyres, lubrication, oil and filter change, fuel system cleaning, battery maintenance, engine tune-up, spark plugs, brake, clutch, chain/belt adjustment and chain replacement.
3. Cosmetic or other concerns that arise as a result of owner abuse, lack of proper maintenance or environmental conditions (except concerns that result from defects in factory materials or workmanship, which are covered by this H-D Motorcycle Warranty for the duration of the warranty period).
4. Any cosmetic condition existing at the time of retail delivery that has not been documented by the authorised Harley-Davidson selling dealer prior to retail delivery.

5. Defects or damage to the motorcycle caused by alterations outside of Harley-Davidson's factory specifications, including the installation of competition or closed course parts and accessories and the addition of loads and stresses to the motorcycle above those recommended by Harley-Davidson.
6. Damage caused by installation or use of non-Harley-Davidson components, even those installed by an authorised dealership, that cause a Harley-Davidson part to fail. Examples include, but are not limited to performance-enhancing powertrain components or software, exhaust systems, non-approved tyres, lowering kits, handlebars, add-ons connected to the factory electrical system, tow bars, etc.

Note: Even though this H-D Motorcycle Warranty does not cover the circumstances set out above, you may still have rights under Australian and New Zealand laws, including the Australian Consumer Law.

Important: Read Carefully

1. Authorised Harley-Davidson dealers are independently owned and operated and may sell non-Harley-Davidson products. Because of this, HARLEY-DAVIDSON IS NOT RESPONSIBLE FOR THE SAFETY, QUALITY, OR SUITABILITY OF ANY NON-HARLEY-DAVIDSON PART, ACCESSORY OR DESIGN MODIFICATION WHICH MAY BE SOLD AND/OR INSTALLED BY AUTHORISED HARLEY-DAVIDSON DEALERS OR LABOUR CARRIED OUT BY DEALERS.
2. This H-D Motorcycle Warranty is a contract between you and Harley-Davidson. It is separate and apart from any warranty you may receive or purchase from an authorised Harley-Davidson dealer. An authorised Harley-Davidson dealer is not authorised to alter, modify, or in any way change the terms and conditions of this H-D Motorcycle Warranty.

Any warranty work or parts replacement authorised by Harley-Davidson will not preclude Harley-Davidson from later relying on any exclusion where Harley-Davidson later becomes aware that an exclusion applied or the warranty claim did not otherwise comply with the terms of this H-D Motorcycle Warranty.

2017 HARLEY-DAVIDSON MOTORCYCLE NOISE CONTROL SYSTEM LIMITED WARRANTY

The following limited warranty applies to the noise control system, is in addition to the MOTORCYCLE LIMITED WARRANTY and EMISSION CONTROL SYSTEM LIMITED WARRANTY, and applies only to Harley-Davidson motorcycles sold in the U.S.

Harley-Davidson warrants to the first owner and each subsequent owner that this motorcycle is designed and built so as to conform at the time of sale with applicable regulations of the U.S. Environmental Protection Agency (as tested following F-76 Drive-By test procedure) and that it is free from defects in factory materials and workmanship which can cause this motorcycle not to meet U.S. Environmental Protection Agency Standards within one (1) year from initial retail purchase and delivery from an authorized Harley-Davidson dealer or one (1) year from the [second] anniversary of the last day of the model year of the motorcycle, or 6,000 km (3730 mi) whichever occurs first. Any unexpired portion of this limited warranty will be transferred to subsequent owners, upon the resale of the motorcycle during the limited warranty period. If the motorcycle was used as a demonstrator or company motorcycle, then the limited warranty period may have started and/or expired prior to the initial retail sale. See an authorized Harley-Davidson dealer for details.

THERE IS NO OTHER EXPRESS WARRANTY (OTHER THAN THE SEPARATE MOTORCYCLE AND EMISSIONS LIMITED WARRANTIES) ON THE MOTORCYCLE. ANY IMPLIED WARRANTY OF MERCHANTABILITY OR FITNESS FOR PARTICULAR PURPOSE IS LIMITED TO THE DURATION OF THIS LIMITED WARRANTY.

Some states do not allow limitations on how long an implied warranty lasts, so the above limitation may not apply to you.

The limited warranty period shall begin on the date the motorcycle is delivered to the first retail purchaser or, if the motorcycle is placed in service as a demonstrator or company motorcycle prior to sale at retail, on the date it is first placed in service.

THE FOLLOWING ITEMS ARE NOT COVERED BY THE NOISE CONTROL SYSTEM LIMITED WARRANTY

1. Failures which arise as a result of misuse, alteration, or non-performance of maintenance as specified in the Owner's Manual.
2. Replacing, removing, or modifying any portion of the NOISE CONTROL SYSTEM (consisting of the exhaust system and air intake/cleaner assembly) with parts not certified to be noise legal for street use.
3. Any motorcycle on which the odometer mileage has been changed so that the mileage cannot be determined.

4. TO THE FULLEST EXTENT ALLOWED BY LAW, NEITHER HARLEY-DAVIDSON NOR ITS AUTHORIZED DEALERS SHALL BE LIABLE FOR LOSS OF TIME, INCONVENIENCE, LOSS OF MOTORCYCLE USE, COMMERCIAL LOSS OR OTHER INCIDENTAL OR CONSEQUENTIAL DAMAGES.

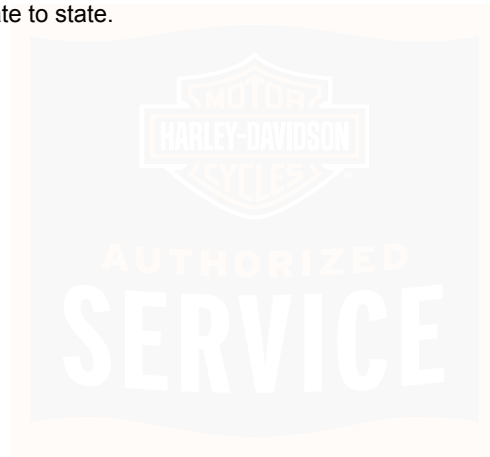
Some states do not allow the exclusion or limitation of incidental or consequential damages, so the above limitation or exclusion may not apply to you.

Other Rights

This limited warranty gives you specific legal rights, and you may have other rights which vary from state to state.

Recommendations for Required Maintenance

It is recommended that any noise system maintenance be performed by an authorized Harley-Davidson dealer using genuine Harley-Davidson replacement parts. The maintenance, replacement or repair of the noise control system may be performed by any other qualified service outlet or individual. Non-genuine Harley-Davidson parts may be used only if such parts are certified to comply with U.S. Environmental Protection Agency Standards.



2017 HARLEY-DAVIDSON EMISSION CONTROL SYSTEM LIMITED WARRANTY

The following limited warranty applies to the emission control system, is in addition to the MOTORCYCLE LIMITED WARRANTY and NOISE CONTROL SYSTEM LIMITED WARRANTY, and applies only to Harley-Davidson motorcycles certified for sale, registered, and normally operated in the U.S. Refer to the CALIFORNIA EMISSIONS CONTROL WARRANTY STATEMENT for additional warranty provisions applicable to California motorcycles.

Harley-Davidson Motor Company warrants to the first owner and each subsequent owner that this vehicle is designed, built, and equipped so as to conform at the time of sale with applicable regulations under section 7521 of Title 42 of the United States Code, and that it is free from defects in materials and workmanship which would cause this motorcycle to fail to conform with applicable regulations for five (5) years from the initial retail purchase and delivery from an authorized Harley-Davidson dealer (or five (5) years from the date the motorcycle is first placed in service, if it is first placed in service as a "demonstrator" or "company" motorcycle prior to delivery), or 30,000 km (18641 mi), whichever occurs first. Any unexpired portion of this limited warranty will be transferred to subsequent owners, upon the resale of the motorcycle during the warranty period.

THERE IS NO OTHER EXPRESS WARRANTY (OTHER THAN THE SEPARATE MOTORCYCLE AND NOISE LIMITED WARRANTIES) ON THE MOTORCYCLE. ANY IMPLIED WARRANTY OF MERCHANTABILITY OR FITNESS FOR PARTICULAR PURPOSE IS LIMITED TO THE DURATION OF THIS WARRANTY.

Some states do not allow limitations on how long an implied warranty lasts, so the above limitation may not apply to you.

The limited warranty period shall begin on the date the motorcycle is delivered to the first retail purchaser or, if the motorcycle is placed in service as a demonstrator or company motorcycle prior to sale at retail, on the date it is first placed in service.

THE FOLLOWING ITEMS ARE NOT COVERED BY THE EMISSION CONTROL SYSTEM LIMITED WARRANTY

1. Failures which arise as a result of misuse, tampering, alterations, accident, acts of nature, or improper or inadequate maintenance as specified in the Owner's Manual.
2. Required maintenance services (as specified in the Owner's Manual) and the replacement of parts (such as spark plugs, fuel and oil filters, etc.) used in required maintenance.
3. Any motorcycle on which the odometer mileage has been changed so that the mileage cannot be determined.

4. TO THE FULLEST EXTENT ALLOWED BY LAW, NEITHER HARLEY-DAVIDSON NOR ITS AUTHORIZED DEALERS SHALL BE LIABLE FOR LOSS OF TIME, INCONVENIENCE, TOWING OF THE VEHICLE, LOSS OF MOTORCYCLE USE, COMMERCIAL LOSS OR OTHER INCIDENTAL OR CONSEQUENTIAL DAMAGES.

Some states do not allow the exclusion or limitation of incidental or consequential damages, so the above limitation or exclusion may not apply to you.

Items Covered by this Emission Warranty

The emission control system warranty may cover the following parts if the defect is deemed to be emissions-related:

- Air cleaner assembly
- Cam shaft
- Spark plug
- Ignition coil
- Ignition wires
- Vapor valve
- Catalytic converter
- Crankcase breather
- MAP sensor

- TMAP sensor
- Intake air temperature sensor
- Throttle position sensor
- Fuel injectors
- Induction module or throttle body
- Engine temperature sensor
- Electronic control unit
- Regulator/fuel pump (for leaks and/or high and low-pressure failures)
- Fuel filter
- Oxygen sensors

Fuel Tank (non-cosmetic failures only)

- Leaks
- Fuel vapor separator
- Fuel cap

If used on the above: hoses, clamps, fittings, tubing, sealing gaskets and mounting hardware.

Detailed instructions for proper maintenance and use of this motorcycle, including the time and/or mileage intervals at which such maintenance is to be performed, may be found

in this Owner's Manual under MAINTENANCE SCHEDULING > SERVICE RECORDS (Page 243).

Other Rights

This limited warranty gives you specific legal rights, and you may have other rights which vary from state to state.

Recommendations for Required Maintenance

It is recommended that any emission system maintenance be performed by an authorized Harley-Davidson dealer using genuine Harley-Davidson replacement parts. However the maintenance, replacement or repair of the emissions control system may be performed by any other qualified service outlet or individual. Non-genuine Harley-Davidson parts may be used only if such parts are certified to comply with U.S. Environmental Protection Agency Standards.



NOTES



CALIFORNIA EMISSIONS CONTROL WARRANTY STATEMENT

Your Warranty Rights and Obligations

The California Air Resources Board and Harley-Davidson Motor Company are pleased to explain the emission control system warranty on your new motorcycle. In California, new motor vehicles must be designed, built and equipped to meet the State's stringent anti-smog standards. Harley-Davidson Motor Company must warrant the emission control system on your motorcycle for the periods of time listed below provided there has been no abuse, unapproved modification, neglect or improper maintenance of your motorcycle.

Your emission control system may include parts such as the carburetor or fuel-injection system, the ignition system, catalytic converter, and engine computer. Also included may be hoses, connectors and other emission-related assemblies.

Where a warrantable condition exists, within the warranty period noted below, your authorized Harley-Davidson dealer will repair your motorcycle at no cost to you including diagnosis, parts and labor.

Manufacturer's Warranty Coverage

For a period of use of five years or 30,000 km (18641 mi), whichever first occurs, beginning on the date the motorcycle is delivered to the ultimate purchaser or, if the motorcycle is

placed in service as a demonstrator or company motorcycle prior to sale at retail, the date it is first placed in service.

If any emission related part on your motorcycle is defective, the part will be repaired or replaced by Harley-Davidson Motor Company. This is your emission control system DEFECTS WARRANTY.

Owner's Warranty Responsibilities

As the motorcycle owner, you are responsible for the performance of the required maintenance listed in your Owner's Manual. Harley-Davidson recommends that you retain all receipts covering maintenance on your motorcycle, but Harley-Davidson cannot deny emissions warranty coverage solely for the lack of receipts or for your failure to ensure the performance of all scheduled maintenance.

You are responsible for presenting your motorcycle to an authorized Harley-Davidson dealer as soon as a problem exists. The warranty repairs should be completed in a reasonable amount of time, not to exceed 30 days.

As the motorcycle owner, you should also be aware that Harley-Davidson may deny you warranty coverage if your motorcycle or a part has failed due to abuse, neglect, improper maintenance or unapproved modifications.

If you have any questions regarding your warranty rights and responsibilities, you should contact Harley-Davidson Customer

Service Department at 1-800-258-2464 (U.S. only) or 1-414-343-4056, or the California Air Resources Board at 9528 Telstar Ave., El Monte, California 91731.

Additional Warranty Terms

The warranty period starts the date the motorcycle is delivered to the ultimate purchaser or, if the motorcycle is placed in service as a demonstrator or company motorcycle prior to sale at retail, the date it is first placed in service.

The emission control system of each new Harley-Davidson motorcycle was designed, built and tested using only Genuine Harley-Davidson parts and with these parts the motorcycle is certified as being in conformity with California emission control regulations.

We recommend that you take your motorcycle to an authorized Harley-Davidson dealer for repairs under this warranty. The dealer has factory-trained mechanics and genuine Harley-Davidson parts. However, in the case of an "emergency" (as defined below), you could have repairs performed at any available service establishment or by the owner, using any replacement part. An authorized Harley-Davidson dealer not being reasonably available, or a part not being available within a reasonable time period (not to exceed 30 days from the time the motorcycle is initially presented to a Harley-Davidson dealer for repair) constitutes an emergency. Harley-Davidson will reimburse the owner for such repairs, including diagnosis, only if it is established that

the repairs are covered under this emission warranty. Harley-Davidson's parts reimbursement, however, will not exceed our suggested retail price for all warranted parts replaced and our labor reimbursement will be limited to our recommended time allowances for emission system repairs at the geographically appropriate hourly labor rate.

To obtain reimbursement from Harley-Davidson for such emergency repairs, you must keep all failed parts and original receipts, so you can present them to an authorized Harley-Davidson dealer for inspection. Harley-Davidson recommends that you bring your motorcycle to an authorized dealer for inspection to ensure that the emergency repairs were done properly.

Remember: Use of non-Harley-Davidson replacement parts may impair the effectiveness of the emission control system or otherwise damage your motorcycle. If other than genuine Harley-Davidson parts are used for maintenance, replacement or repair of components affecting emission control, you should obtain written assurances that such non-Harley-Davidson parts are warranted by their manufacturer to be equal in quality to Genuine Harley-Davidson parts in both performance and durability. The use of non-Harley-Davidson replacement parts does not invalidate the existing warranty, if any, on other Harley-Davidson components unless the non-Harley-Davidson parts cause damage to warranted parts or result in the creation of an emissions non-compliant motorcycle. However, HARLEY-DAVIDSON ASSUMES NO LIABILITY UNDER

THIS WARRANTY WITH RESPECT TO ANY PARTS WHICH ARE NOT GENUINE HARLEY-DAVIDSON PARTS, unless Harley-Davidson parts cause damage to non-genuine Harley-Davidson parts.

What Is Covered by this Emission Warranty

The emission control system warranty covers the following "warranted parts" only:

- Air cleaner assembly
- Cam shaft
- Spark plug
- Ignition coil
- Ignition wires
- Vapor valve
- Catalytic converter
- Crankcase breather
- MAP sensor
- TMAP sensor
- Intake air temperature sensor
- Throttle position sensor
- Fuel injectors

- Induction module or throttle body
- Engine temperature sensor
- Electronic control unit
- Regulator/fuel pump (for leaks and/or high and low pressure failures)
- Fuel filter
- Oxygen sensors
- Carbon canister
- Purge control valve

Fuel Tank (non-cosmetic failures only)

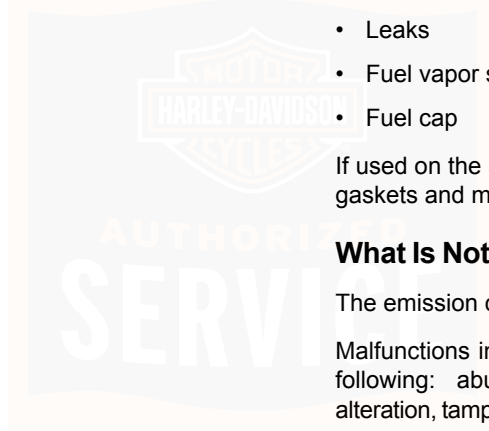
- Leaks
- Fuel vapor separator
- Fuel cap

If used on the above: hoses, clamps, fittings, tubing, sealing gaskets and mounting hardware.

What Is Not Covered by this Emission Warranty

The emission control system warranty does not cover:

Malfunctions in any "warranted parts" caused by any of the following: abuse, misuse, unapproved modification or alteration, tampering, disconnection, or improper or inadequate



maintenance. The warranty also does not cover replacement of listed parts in the event that the vehicle has been rendered emissions non-compliant in the state of California through actions noted above.

Damage resulting from accident, acts of nature or other events beyond the control of Harley-Davidson.

The repair or replacement of "warranted parts" which are scheduled for replacement prior to 30,000 km (18641 mi), once these parts have been replaced at the first replacement interval as part of required maintenance services.

Repairs and services performed by anyone other than an authorized Harley-Davidson Dealer (except in case of emergency as defined above).

Loss of time, inconvenience, loss of use of the motorcycle, towing of the vehicle, or commercial loss and/or consequential damages.

Repairs on any motorcycle of which odometer mileage has been changed so that mileage cannot be readily determined.



2017 LIMITED RADIO WARRANTY

Harley-Davidson warrants that your Harley-Davidson radio will be free from factory defects in factory materials and workmanship, under normal use and service, for a period of twenty-four (24) months starting from the earlier of (a) the date of initial retail purchase of the motorcycle on which the radio is installed, or (b) the third anniversary of the last day of the model year of the motorcycle on which the radio is installed. Any unexpired portion of this limited warranty will be transferred to subsequent owner(s), upon the resale of the motorcycle during the limited warranty period. If the motorcycle was used as a demonstrator or company motorcycle, then the limited warranty period may have started and/or expired prior to the initial retail sale. See an authorized Harley-Davidson Dealer for details.

This limited warranty does not cover defects or damage due to abuse, misuse or improper installation, or any radio on a motorcycle which has been registered with Harley-Davidson as a collector's vehicle. Radios with a touchscreen have a replaceable protective film. Damage to the radio due to use without this screen protector is not covered under warranty. The screen protector itself is a serviceable wear part which can be purchased at an authorized Harley-Davidson dealer. Wear or subsequent damage to the screen protector is not covered under warranty. Also, the limited warranty does not cover syncing issues or an improper functioning radio caused by an incompatible phone or other media storage device (MP3,

jump drive, etc.). See an authorized Harley-Davidson dealer for details. Use of aftermarket parts may void all or parts of your limited warranty.

This limited warranty does not cover repairs under certain conditions. Examples include:

- Loss of personal media, software or data.
- Failure to provide proper installation environment.
- Damage caused by abnormal use, unauthorized modification, computer viruses, or installation of unauthorized software, peripherals and attachments; unauthorized, unapproved or incompatible devices or upgrades; or malfunction of a mobile phone or digital media device, including inadequate signal reception by the external antenna, viruses or other software problems.

To obtain warranty service, return your motorcycle with sound system intact, at your expense, within the limited warranty period to an authorized Harley-Davidson dealer. Authorized Harley-Davidson dealers should be able to provide warranty service during normal business hours depending upon the workload of the authorized dealer's service department and the availability of necessary parts.

The remedy for breach of this warranty is expressly limited to the repair or replacement (**which may include a refurbished replacement radio**), without charge for parts and labor, of any part that proves to be defective, AND DOES

NOT EXTEND TO LIABILITY FOR CONSEQUENTIAL DAMAGES, COSTS OR EXPENSES, INCLUDING LOSS OF TIME, INCONVENIENCE, COMMERCIAL LOSS, OR LOSS OF USE OF THE VEHICLE, RESULTING FROM ANY PART THAT PROVES TO BE DEFECTIVE.

THERE IS NO OTHER EXPRESS WARRANTY ON THE RADIO. ANY IMPLIED WARRANTY RELATING TO THIS RADIO, INCLUDING WARRANTIES OF MERCHANTABILITY OR FITNESS FOR A PARTICULAR PURPOSE, IS EXPRESSLY LIMITED TO THE DURATION OF THIS LIMITED WARRANTY.

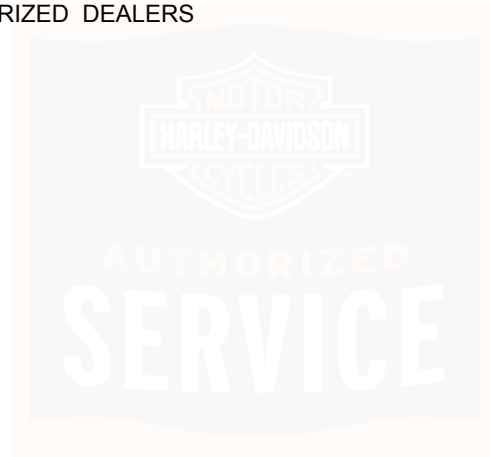
TO THE FULLEST EXTENT ALLOWED BY LAW, HARLEY-DAVIDSON AND ITS AUTHORIZED DEALERS

SHALL NOT BE LIABLE FOR LOSS OF TIME, INCONVENIENCE, LOSS OF MOTORCYCLE USE, COMMERCIAL LOSS OR ANY OTHER INCIDENTAL OR CONSEQUENTIAL DAMAGES.

Some states do not allow the exclusion or limitation of incidental or consequential damages, so the above limitation or exclusion may not apply to you.

Other Rights

This warranty gives you specific legal rights, and you may also have other rights which vary from state to state.



2017 AUSTRALIA/NEW ZEALAND LIMITED RADIO WARRANTY

Your Consumer Rights

The benefits given to you under this H-D Radio Warranty are additional to, and do not detract from, other rights and remedies that you may have in respect of the radio or its installation under Australian and New Zealand laws, including consumer protection laws.

In Australia, our goods come with guarantees that cannot be excluded under the Australian Consumer Law. You are entitled to a replacement or refund for a major failure and compensation for any other reasonably foreseeable loss or damage. You are also entitled to have the goods repaired or replaced if the goods fail to be of acceptable quality and the failure does not amount to a major failure.

In New Zealand, our goods also come with guarantees that cannot be excluded under the New Zealand Consumer Guarantees Act.

Warranty

This warranty is provided by Harley-Davidson Motor Company P.O. Box 653, Milwaukee, Wisconsin 53201, U.S.A, phone: +1 (414 343-4056) ("Harley-Davidson").

Harley-Davidson warrants that an authorised Harley-Davidson dealer will repair or replace your Harley-Davidson radio if it is found to be defective in factory materials or workmanship, under normal use and service, during the warranty period set out below.

Such repair or replacement will be Harley-Davidson's sole obligation and your sole remedy under this H-D Radio Warranty, however you may have other rights under Australian and New Zealand laws, as described above.

Note that goods presented for repair may be replaced by refurbished goods of the same type rather than being repaired. Refurbished parts may be used to repair goods.

Warranty Period

The warranty period is a period of twenty-four (24) months starting from the earlier of:

- (a) the date of delivery of the motorcycle on which the radio is installed by an authorised Harley-Davidson dealer to the first retail purchaser; or
- (b) the third anniversary of the last day of the model year of the motorcycle on which the radio is installed (if not sold to a retail purchaser before that date).

Any unexpired portion of this H-D Radio Warranty will be transferred to subsequent owners, upon the resale of the motorcycle during the limited warranty period. See the

OWNER CONTACT INFORMATION section of this Owner's Manual for information regarding notification of ownership changes.

Note: If the motorcycle was used as a demonstrator or company motorcycle, then the warranty period may have started and/or expired prior to the initial retail sale. See an authorised Harley-Davidson dealer for details.

Exclusions

This H-D Radio Warranty does not cover defects or damage due to abuse, misuse or improper installation, or any radio on a motorcycle which has been registered with Harley-Davidson as a collector's vehicle. Radios with a touchscreen have a replaceable protective film. Damage to the radio due to use without this screen protector is not covered under warranty. The screen protector itself is a

serviceable wear part which can be purchased at an authorized Harley-Davidson dealer. Wear or subsequent damage to the screen protector is not covered under warranty. Also, the limited warranty does not cover syncing issues or an improper functioning radio caused by an incompatible phone or other media storage device (MP3, jump drive, etc.). See an authorised Harley-Davidson dealer for details.

Obtaining Warranty Service

To obtain warranty service, return your motorcycle with sound system intact, at your expense, within the warranty period to an authorised Harley-Davidson dealer.

Harley-Davidson's network of authorised dealers is large, and continues to expand. To find current contact information for your nearest authorised dealer, visit our website at www.h-d.com.au.



SERVICE RECORDS

APPLICABILITY	
<input type="checkbox"/>	• JPN

Regular Service Intervals

▲ WARNING

Perform the service and maintenance operations as indicated in the regular service interval table. Lack of regular maintenance at the recommended intervals can affect the safe operation of your motorcycle, which could result in death or serious injury. (00010a)

▲ WARNING

If you operate your motorcycle under adverse conditions (severe cold, extreme heat, very dusty environment, very bad roads, through standing water, etc.), you should perform the regular maintenance intervals more frequently to ensure the safe operation of your motorcycle. Failure to maintain your motorcycle could result in death or serious injury. (00094a)

Regular maintenance must be performed at specified intervals to help keep your new Harley-Davidson motorcycle operating at peak performance and keep your new motorcycle limited

warranty in force. Your authorized Harley-Davidson dealer knows best how to service your motorcycle with factory approved methods and equipment assuring you of thorough and competent workmanship.

Some maintenance items are scheduled at least once per year, even if the next mileage interval has not been reached. In severe riding conditions, some maintenance items need to be performed more frequently. Refer to Table 36.

NOTE

- *The use of parts and service procedures other than Harley-Davidson approved parts and service procedures may void the limited warranty. Any alterations to the emission system components, such as the intake and exhaust system, may be in violation of motor vehicle laws.*
- *Some countries, such as Brazil, may require all regular maintenance to be performed by an authorized Harley-Davidson dealer for your limited warranty to remain in effect. Check with your authorized Harley-Davidson dealer.*
- *Some countries, such as Brazil, require additional annual (or semi-annual) regular maintenance steps to keep your limited warranty in effect and/or comply with vehicle regulations. Check with your authorized Harley-Davidson dealer and the motorcycle regulations in your country for local requirements.*

- After completing the final service interval, repeat the service schedule starting at the 8,000 km (5,000 mi) interval. Refer to Table 36.
- Whenever a vehicle is in for maintenance, always check for and complete open recalls and product programs.
- Whenever a vehicle is in for maintenance, always verify that the latest calibration is installed.

Table 36. Regular Service Intervals: 2017 Harley-Davidson Touring Models

ITEM SERVICED	1000 mi 1600 km	5000 mi 8000 km	10000 mi 16000 km	15000 mi 24000 km	20000 mi 32000 km	25000 mi 40000 km	30000 mi 48000 km	35000 mi 56000 km	40000 mi 64000 km	45000 mi 72000 km	50000 mi 80000 km	NOTES
Check operation of electrical equipment and switches	X	X	X	X	X	X	X	X	X	X	X	
Check front tire pressure, inspect tread	X	X	X	X	X	X	X	X	X	X	X	1
Check front wheel spoke tightness (if equipped)	X	X			X			X			X	2, 3, 4
Inspect front brake fluid level	X	X	X	X	X	X	X	X	X	X	X	5
Inspect clutch fluid system for leaks, contact or abrasion	X	X	X	X	X	X	X	X	X	X	X	6
Check DOT4 clutch fluid and front brake fluid for moisture	X	X	X	X	X	X	X	X	X	X	X	1, 2
Check hand control fastener switch housing screw torque	X		X		X		X		X		X	1, 2, 7
Check clutch lever handlebar clamp screw torque	X		X		X		X		X		X	1, 2, 7
Check master cylinder handlebar clamp screw torque	X		X		X		X		X		X	1, 2, 7
Inspect, lubricate and adjust steering head bearings						X					X	2, 8
Inspect windshield bushings (if equipped)			X		X		X		X		X	2

Table 36. Regular Service Intervals: 2017 Harley-Davidson Touring Models

ITEM SERVICED	1000 mi 1600 km	5000 mi 8000 km	10000 mi 16000 km	15000 mi 24000 km	20000 mi 32000 km	25000 mi 40000 km	30000 mi 48000 km	35000 mi 56000 km	40000 mi 64000 km	45000 mi 72000 km	50000 mi 80000 km	NOTES
Inspect air cleaner, service as required		X	X	X	X	X	X	X	X	X	X	4
Replace engine oil and filter	X	X	X	X	X	X	X	X	X	X	X	1, 4
Check engine coolant level, freeze point, inspect for leaks	X	X	X	X	X	X	X	X	X	X	X	
Coolant	Replace coolant every 48,000 km (30000 mi)											2
Clean radiators or oil cooler	X	X	X	X	X	X	X	X	X	X	X	
Replace primary chaincase lubricant	X		X		X		X		X		X	4
Replace transmission lubricant	X				X				X			4
Inspect oil lines and brake system for leaks, contact or abrasion	X	X	X	X	X	X	X	X	X	X	X	1, 2
Inspect fuel lines and fittings for leaks, contact or abrasion	X	X	X	X	X	X	X	X	X	X	X	1, 2
Inspect rear brake fluid at level	X	X	X	X	X	X	X	X	X	X	X	5
Check rear DOT 4 brake fluid for moisture	X	X	X	X	X	X	X	X	X	X	X	1, 2
Inspect brake pads and discs for wear	X	X	X	X	X	X	X	X	X	X	X	
Check front axle nut torque	X		X		X		X		X		X	1, 2, 7
Inspect and lubricate jiffy stand	X	X	X	X	X	X	X	X	X	X	X	2, 4
Check, adjust and lubricate (with HARLEY LUBE) brake and clutch controls	X	X	X	X	X	X	X	X	X	X	X	

Table 36. Regular Service Intervals: 2017 Harley-Davidson Touring Models

ITEM SERVICED	1000 mi 1600 km	5000 mi 8000 km	10000 mi 16000 km	15000 mi 24000 km	20000 mi 32000 km	25000 mi 40000 km	30000 mi 48000 km	35000 mi 56000 km	40000 mi 64000 km	45000 mi 72000 km	50000 mi 80000 km	NOTES
Check tightness of rear wheel spokes (if equipped)	X	X			X			X			X	2, 3, 4
Check rear tire pressure, inspect tread	X	X	X	X	X	X	X	X	X	X	X	1
Inspect and adjust drive belt and sprockets	X	X	X	X	X	X	X	X	X	X	X	2
Check rear axle nut torque	X		X		X		X		X		X	1, 2, 7
Inspect exhaust system for leaks, cracks and loose, or missing fasteners or exhaust shields	X	X	X	X	X	X	X	X	X	X	X	4
Battery	Check battery, terminal torque and clean connections annually. Lubricate terminals with ELECTRICAL CONTACT LUBRICANT.											1
Spark plugs	Replace spark plugs every two years or every 48,000 km (30000 mi), whichever comes first.											
Lubricate fuel door hinge and latch with HARLEY LUBE	X	X	X	X	X	X	X	X	X	X	X	
Rebuild front forks											X	2, 9
Fuel filter	Replace fuel filter every 161,000 km (100000 mi).											2, 4
Rear sprocket isolators	Inspect rear sprocket isolators for wear at each rear tire change.											
Brake and clutch systems	Flush brake and clutch systems and replace DOT 4 hydraulic brake and clutch fluids every two years or sooner if moisture content is 3% or greater											2



Table 36. Regular Service Intervals: 2017 Harley-Davidson Touring Models

ITEM SERVICED	1000 mi 1600 km	5000 mi 8000 km	10000 mi 16000 km	15000 mi 24000 km	20000 mi 32000 km	25000 mi 40000 km	30000 mi 48000 km	35000 mi 56000 km	40000 mi 64000 km	45000 mi 72000 km	50000 mi 80000 km	NOTES
Road test to verify component and system functions	X	X	X	X	X	X	X	X	X	X	X	
NOTES:	<ol style="list-style-type: none"> 1. Perform annually or at specified intervals, whichever comes first. 2. Should be performed by an authorized Harley-Davidson dealer, unless you have the proper tools, service data and are mechanically qualified. 3. Perform spoke tension check at 2,000 km (1000 mi), 8,000 km (5000 mi), 32,000 km (20000 mi) services and every 24,000 km (15000 mi) interval thereafter. Not all vehicles are equipped with spoke wheels. Consult appropriate topic in service manual. 4. Perform maintenance more frequently in severe riding conditions such as extreme temperatures, dusty environments, mountainous or rough roads, long storage conditions, short runs, heavy stop/go traffic or poor fuel quality. 5. Brake fluid level will drop as brake pads wear. 6. Clutch fluid level will rise as clutch wears. 7. For torque instructions, see Shop Practices in the service manual. 8. Disassemble, lubricate, inspect and adjust every 40,000 km (25000 mi). 9. Disassemble, inspect, rebuild forks and replace fork oil every 80,000 km (50000 mi). 											

Maintenance Records

Maintain a record of all service. Refer to Table 37.

Table 37. Owner's Maintenance Records

SERVICE MILE INTERVAL	DATE	DEALER NUMBER	TECHNICIAN NAME	TECHNICIAN SIGNATURE
1,600 km (1,000 mi)				
8,000 km (5,000 mi)				
16,000 km (10,000 mi)				
24,000 km (15,000 mi)				
32,000 km (20,000 mi)				
40,000 km (25,000 mi)				

Table 37. Owner's Maintenance Records

SERVICE MILE INTERVAL	DATE	DEALER NUMBER	TECHNICIAN NAME	TECHNICIAN SIGNATURE
48,000 km (30,000 mi)				
56,000 km (35,000 mi)				
64,000 km (40,000 mi)				
72,000 km (45,000 mi)				
80,000 km (50,000 mi)				

SERVICE LITERATURE

Visit any Harley-Davidson dealer to purchase a service or parts manual for your motorcycle. Factory authorized manuals are the most complete and detailed source of information outside of your Harley-Davidson dealer. Refer to Table 38.

Table 38. Service Literature: 2017 Touring Models

DOCUMENT	PART NUMBER
Boom! Box Owner's Manual	99464-17
Touring Models Service Manual	94000383A
Touring Models Electrical Diagnostic Manual	94000395
Touring Models Parts Catalog	94000406A
Publication numbers listed are English language manuals. Other languages are available from a Harley-Davidson dealer.	

H-D U.S.A., LLC TRADEMARK INFORMATION

Bar & Shield, Boom!, Cross Bones, Cruise Drive, CVO, Digital Tech, Digital Technician, Digital Technician II, Dyna, Electra Glide, Evolution, Fat Bob, Fat Boy, Forty-Eight, Glaze, Gloss, H-D, H-Dnet.com, Harley, Harley-Davidson, HD, Heritage Softail, Iron 883, Low Rider, Milwaukee-Eight, Night Rod, Nightster, Night Train, Profile, Reflex, Revolution, Road Glide, Road King, Road Tech, Rocker, Screamin' Eagle, Seventy-Two, Softail, Sportster, Street Glide, Street Rod, Sun Ray, Sunwash, Super Glide, SuperLow, Supersmart, Switchback, SYN3, TechLink, TechLink II, TechLink III, Tour-Pak, Tri Glide, Twin Cam 88, Twin Cam 88B, Twin Cam 96, Twin Cam 96B, Twin Cam 103, Twin Cam 103B, Twin Cam 110, Twin Cam 110B, Twin-Cooled, Ultra Classic, V-Rod, VRSC and Harley-Davidson Genuine Motor Parts and Genuine Motor Accessories are among the trademarks of H-D U.S.A., LLC.

PRODUCT REGISTERED MARKS

Apple, Alcantara S.p.A., Allen, Amp Multilock, Android Auto, Bluetooth, Brembo, CarPlay, City Navigator, Delphi, Deutsch, Dual Lock, Dunlop, Dynojet, Fluke, G.E. Versilube, Garmin, Google LLC, Gunk, Heli-Coil, Hydroseal, Hylomar, iPhone, iPod, Kevlar, Lexan, Loctite, Lubriplate, Keps, K&N,

Magnaflux, Marson Thread-Setter Tool Kit, MAXI fuse, Molex, Michelin, MPZ, Multilock, nano, NGK, Novus, Packard, Pirelli, Permatex, Philips, PJ1, Pozidriv, Road Tech, Robinair, S100, Sems, Siri, SiriusXM, Snap-on, Teflon, Threadlocker, Torca, Torco, TORX, Tufoil, Tyco, Ultratorch, Velcro, X-Acto and XM Satellite Radio are among the trademarks of their respective owners.



NOTES



Index

A

Accessories.....	213,214
Accessories and Cargo Guidelines.....	5,12
Accessory and Cargo Guidelines.....	12
Accessory Switch.....	58
Advanced Audio System.....	49
AGM Charging Information.....	172
Air Cleaner.....	153
Air Deflectors.....	82
Air Shocks.....	72
Air Suspension.....	72
Alarm.....	95
Antenna.....	191

B

Battery.....	98,172,180,183
Boom! Box.....	63
Boom! Box Infotainment System.....	191
Brakes.....	49,66,68,139,209
Break-in.....	117
Break-in Maintenance.....	117
Break-in Riding Rules.....	104
Bulb Replacement.....	156,162,169,170

C

California Evaporative Emission Controls.....	216
Care and Cleaning.....	201
Catalytic Converters.....	32
Changing Engine Oil.....	121
Changing Transmission Lubricant.....	126
Charging Battery.....	172
Charging the Battery.....	172
Chassis Lubrication.....	137
Checking Engine Oil.....	119
Clean.....	199
Cleaning.....	195,199,199,201,202, 202, 203, 204, 205
Clutch.....	138
Controls.....	49,59,68
Coolant.....	23,131
Cooling System.....	210
Cruise Control.....	49,55
Custom Coverage.....	214
Customer service.....	2

D

Dealer Locator.....	217
---------------------	-----

Index

Dealer Locator Phone Number.....	217
Denim Finish.....	202
Disposal and Recycling.....	118
Drive Belt.....	134
Drive Belt Deflection Specifications.....	134

E

Electrical Protection.....	185
Electrical System.....	209
Electronic Throttle Control (ETC).....	64
Emission Control System Limited Warranty.....	231
Engine.....	110,207
Engine Idle Temperature Management System.....	109
Engine Oil.....	41,118,119,121,124
Engine Oil and Filter.....	121
EPA Noise Regulations.....	216
ETC.....	64

F

Factory Replacement Parts.....	215
Fairing Lower.....	83

Fairing Vent.....	82
FCC Regulations.....	100
Fob.....	87,97
Front Fork Bearings.....	139
Front Fork Oil.....	138
Fuel.....	30,31,44,69
Fuel and Oil.....	31
Fuses.....	98,185
Fuses and Relays.....	98,185

G

Gasoline.....	30,31
Gasoline Blends.....	31
GAWR.....	12
GAWR/GVWR.....	12
Genuine Motor Parts and Accessories.....	213
GVWR.....	12

H

Hand Controls.....	49
Hazard Warning 4-Way Flashers.....	92

Index

Headlamp.....	41,49,156,158,162	Leather and Vinyl Care.....	202
Headlamp, HDI.....	161	Leather Care.....	202
Headset Connector.....	63	Lifting Vehicle.....	155
Headset Connectors.....	63	Limited Radio Warranty.....	239
Heel-Toe Shift Lever.....	65	Limited Warranty.....	221,229,231
Hydraulic Clutch.....	138	Lubrication.....	137
Hydraulic Lifters.....	138	Luggage.....	12,75

I

Importing a Motorcycle.....	218
Indicator Lamps.....	41
Infotainment System.....	60
Instruments.....	37,41,44

K

Key.....	87
Key Fob.....	97

L

Labels.....	14
Leather.....	202

M

Maintenance.....	117,117,118,119,121, 126,131,134,137,137,138,138,138,139,152,152,156,158,162,169, 170,172,215,243
Manual.....	1
Mirror Adjustment.....	72
Mirrors.....	72
Motorcycle Cleaning Products.....	195
Motorcycle Storage.....	191

N

National Highway Traffic Safety Administration.....	217
National Highway Traffic Safety Administration (NHTSA).....	217
No Fob Message.....	44
Noise Control System.....	14

Index

Noise Control System Limited Warranty.....229 Primary Chaincase.....23,127

O

Octane Rating.....30
Oil.....118
Oil Applications.....138
Oil Cooler.....124
Oil Level.....119
Operation.....64,66,68,105,108,
110
Owner Contact Information.....218
Owner Information.....2

P

Parking Brake.....66,145
Passenger Footboards/Footrests.....68
Passenger Grab Handles.....76
Polishing.....199
Power Disconnect.....98,185
Power Port.....80
Pre-Riding Checklist.....105

R

Radio.....191,201
Rear Axle.....191
Reverse.....49,113,188
Reverse Motor.....210
Rules of the Road.....11

S

Safe Operating Rules.....5
Safety.....12,14,117
Safety Definitions.....1
Seat.....189
Security System.....87,87,89,92,92,
95,96,96,97,97,98,99
Service Intervals.....243
Service Literature.....248
Shifting Gears.....110
Shock Absorbers.....152
Side Covers.....184

Index

Smart Security System.....	97,97,98,99
Spark Plug Replacement.....	152
Spark Plugs.....	152
Speakers.....	201
Specifications.....	23,30,118,134
Starting the Engine.....	106,108
Steering Damper.....	139
Stopping the Engine.....	110
Storage.....	191
Suspension, Air.....	72
Suspension, Rear.....	72

T

Tail Lamp.....	170
Throttle Control Grip.....	49
Tip Indicator.....	44
Tire Replacement.....	148
Tires.....	27,146,148
Tour-Pak.....	76
Trademarks.....	248,249
Transmission.....	23,126,209
Transport Mode.....	96
Troubleshooting.....	41,99,207,209,209, 209, 210, 210, 210

Trunk.....	78,79,199
Turn Signal Bulbs (Bullet Style).....	168
Turn Signals.....	41,49,169

V

V.I.N.....	19
Vehicle Identification Number.....	19
Vehicle Identification Number (VIN).....	19
VIN.....	19
VIN codes.....	19

W

Warranty.....	214,215,217,218,221, 229, 231, 239
Warranty Repair Work.....	217
Washing.....	199
Wheel Care.....	204
Wheels.....	204
Windshield.....	205
Windshield Cleaning.....	205
Winter Lubrication.....	124

NOTES

