



INSTRUCTIONS

J06683

2026-01-21



SCREAMIN EAGLE 128/131CI STAGE IV KIT

GENERAL INFORMATION

Table 1. General Information

Kits	Suggested Tools	Skill Level ⁽¹⁾
92500077, 92500078, 92500079, 92500080, 92500081, 92500082, 92500094, 92500095	Safety glasses, Torque wrench	
<i>(1) Special tools or techniques required for installation</i>		

KIT CONTENTS

NOTE

Verify all contents are present in the kit before installing or removing items from vehicle.

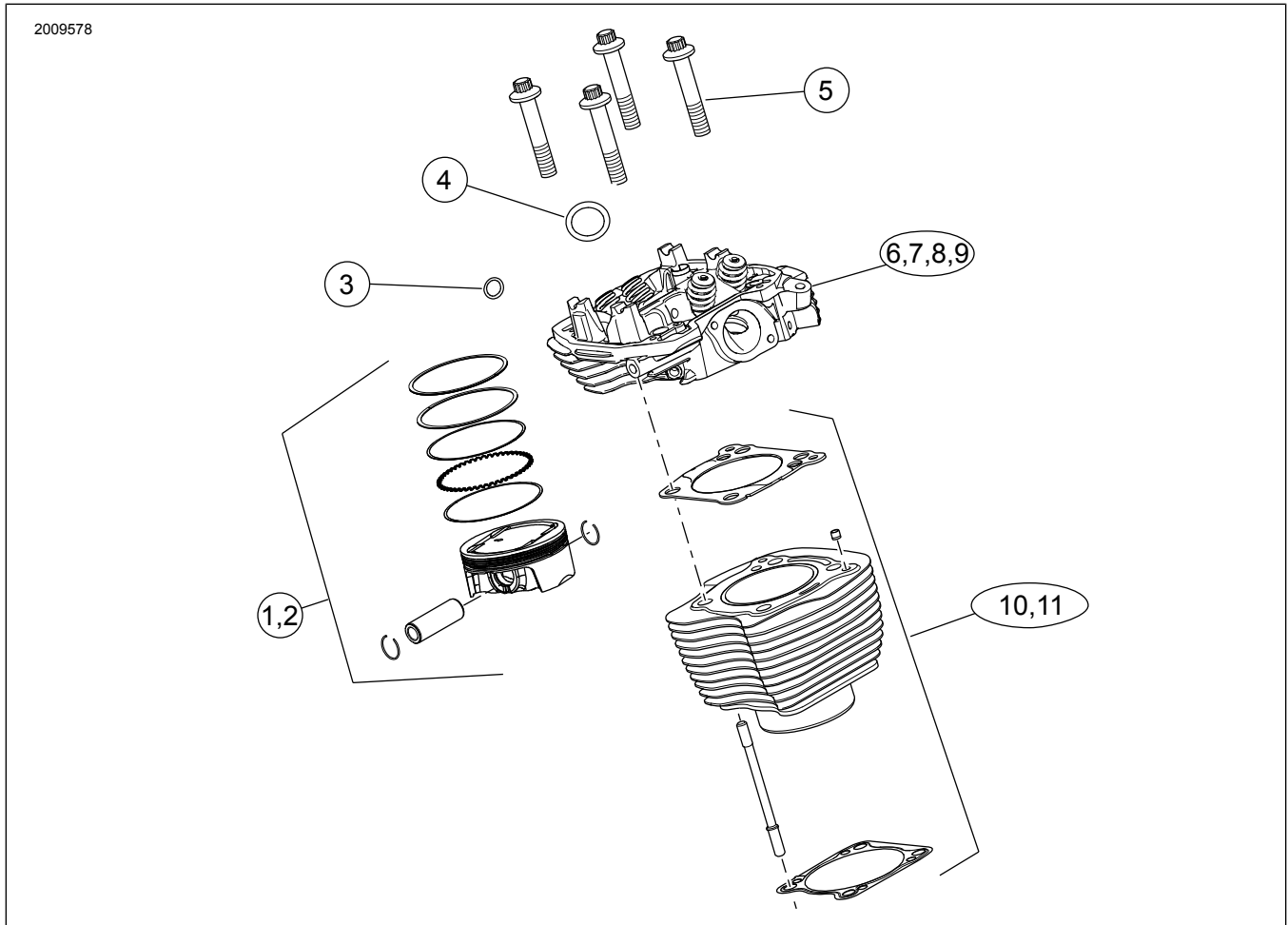


Figure 1. Kit Contents: Top End: Screamin' Eagle 128/131CI Stage IV Components

Table 2. Kit Contents: Top End: Screamin' Eagle 128/131CI Stage IV Components

<input checked="" type="checkbox"/>	Verify that all contents are present in the kit before installing or removing items from vehicle.				
<input type="checkbox"/>	Item	Qty	Description	Part No.	Notes
<input type="checkbox"/>	1	1	Piston kit, 128	21900101	Includes Isheet J06687
<input type="checkbox"/>	2	1	Piston kit, 131	21900099	Includes Isheet J06687
<input type="checkbox"/>	3	4	O-ring, coolant manifold	11900090	
<input type="checkbox"/>	4	2	Exhaust gasket	65324-83-B	
<input type="checkbox"/>	5	4	Flange nut	10200303	
<input type="checkbox"/>	6	1	Cylinder head kit, air cooled (HOG black)	16500750	Includes Isheet 94100117
<input type="checkbox"/>	7	1	Cylinder head kit, air cooled (Black granite)	16500749	Includes Isheet 94100117
<input type="checkbox"/>	8	1	Cylinder head kit, twin cooled (HOG black)	16500748	Includes Isheet 94100117
<input type="checkbox"/>	9	1	Cylinder head kit, twin cooled (Black granite)	16500747	Includes Isheet 94100117
<input type="checkbox"/>	10	1	Cylinder kit (HOG black)	16800407	Includes Isheet J06682
<input type="checkbox"/>	11	1	Cylinder kit (Black granite)	16800404	Includes Isheet J06682

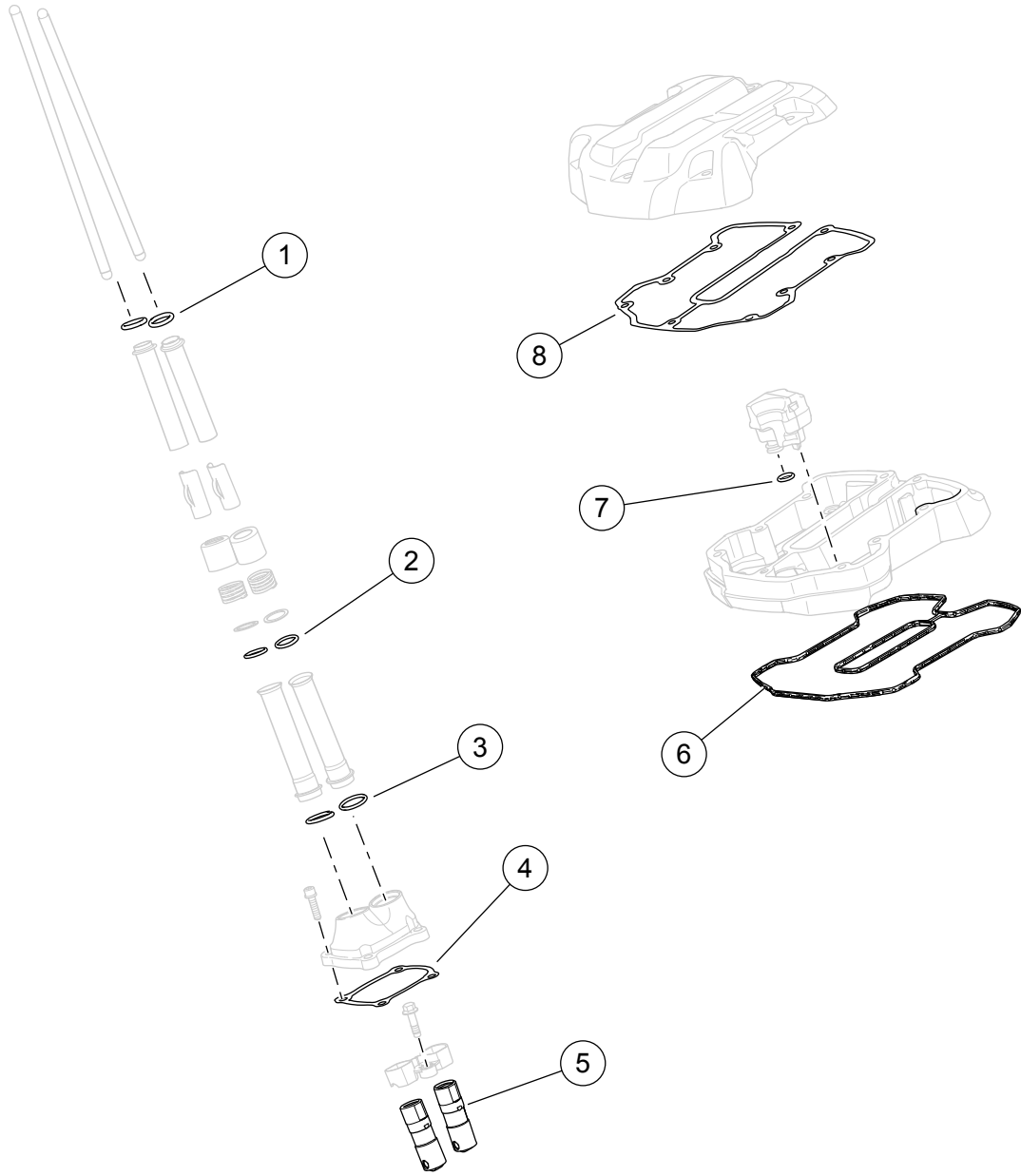


Figure 2. Kit Contents: Valve Train: Screamin' Eagle 128/131CI Stage IV Components

Table 3. Kit Contents: Valve Train: Screamin' Eagle 128/131CI Stage IV Components

<input checked="" type="checkbox"/>	Item	Qty	Description	Part No.	Notes
<input type="checkbox"/>	1	4	O-ring	11293	
<input type="checkbox"/>	2	4	O-ring	11132A	
<input type="checkbox"/>	3	4	O-ring	11145A	
<input type="checkbox"/>	4	2	Gasket, lifter cover	25700362A	
<input type="checkbox"/>	5	1	Lifter kit, high capacity	18572-13	
<input type="checkbox"/>	6	2	Gasket, lower rocker cover	25700425A	
<input type="checkbox"/>	7	2	O-ring, breather	11900116	
<input type="checkbox"/>	8	2	Gasket, upper rocker cover	25700372C	

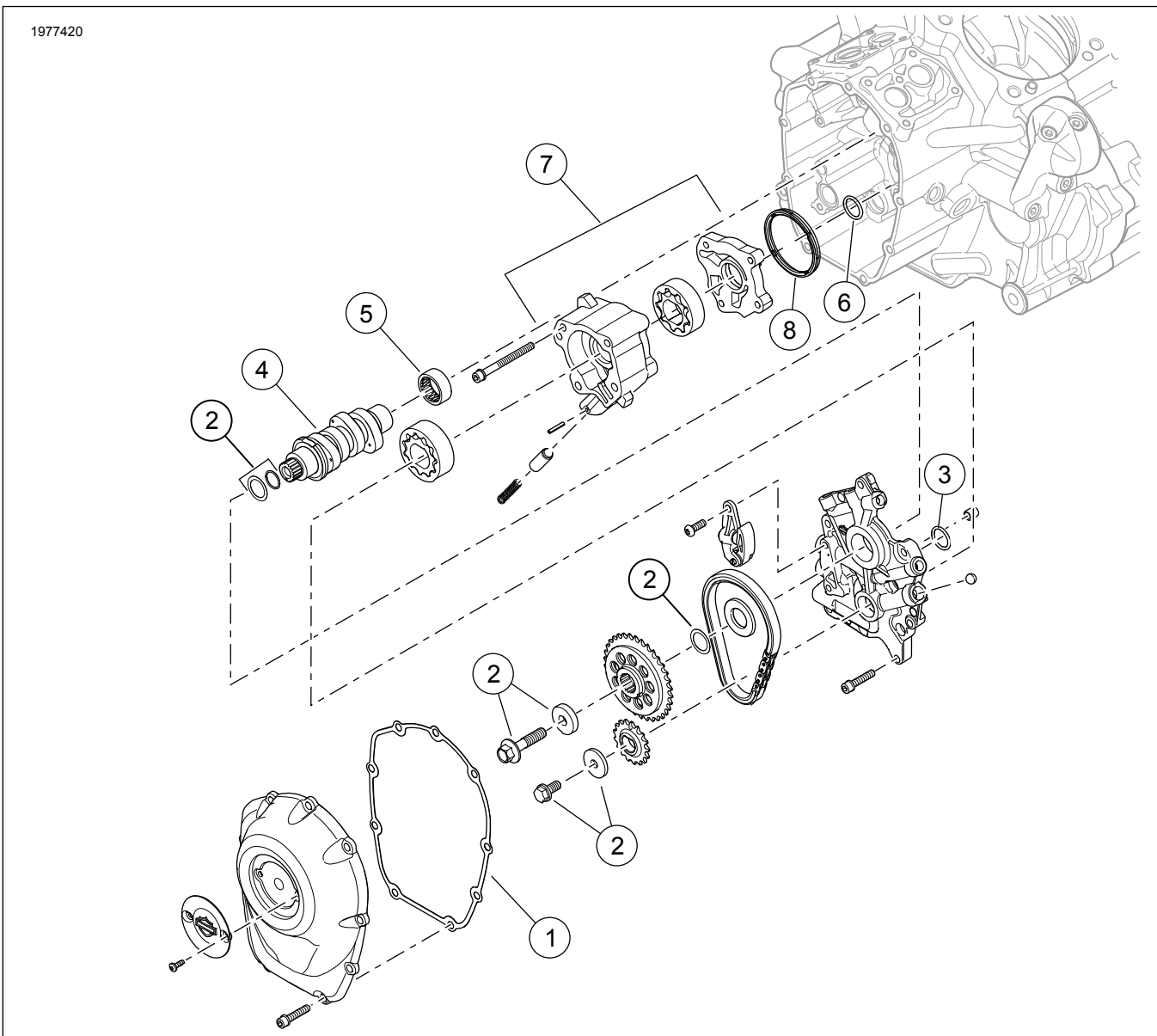


Figure 3. Kit Contents: Cam Compartment: Screamin' Eagle 128/131CI Stage IV Components

Table 4. Kit Contents: Cam Compartment: Screamin' Eagle 128/131CI Stage IV Components

<input checked="" type="checkbox"/>	Item	Qty	Description	Part No.	Notes
<input type="checkbox"/>	1	1	Gasket, cam cover	25700370A	
<input type="checkbox"/>	2	1	Camshaft drive sprocket retention kit	91800088	Purchased separately
<input type="checkbox"/>	3	1	O-ring, cam plate to oil pump	11900103	
<input type="checkbox"/>	4	1	Camshaft, SE8-517	25400353	
<input type="checkbox"/>	5	1	cam bearing	9298B	
<input type="checkbox"/>	6	1	O-ring, oil pump to crankcase	11293	
<input type="checkbox"/>	7	1	Oil pump	62400247 or 62400248	Purchased separately, if needed
<input type="checkbox"/>	8	1	Seal	62400205	Purchased separately, if needed
Items included but not shown					
<input type="checkbox"/>		1	Screamin' Eagle 64mm throttle body kit	27200040	Includes Isheet J06346
<input type="checkbox"/>		1	Screamin' Eagle high flow injection kit	27400040	
<input type="checkbox"/>		1	Exhaust header	65600177	Included in kits: 92500077, 92500078, 92500079, 92500080, 92500081, 92500092
<input type="checkbox"/>		1	Oil cooler fan kit	26800195	Included in kits: 92500078, 92500079, 92500082
<input type="checkbox"/>		1	Product information label	Not sold separately	
<input type="checkbox"/>		1	Timer cover	25600117	
<input type="checkbox"/>		1	128 Stage IV Insert	25600127	
<input type="checkbox"/>		1	131 Stage IV Insert	25600129	

GENERAL

Instruction sheet is also available electronically. To verify you are using the most current version available, do one of the following:

- Go to h-d.com/isheets
- Scan QR code in upper left corner of the instruction sheet

NOTE

This instruction sheet may have a Supplemental Video to assist installer in clarifying a certain part of the assembly. A linked video would be located at the end of this instruction sheet.

Models

For model fitment information, see the Parts and Accessories (P&A) Retail Catalog or the Parts and Accessories section of www.harley-davidson.com.

Contact Harley-Davidson Customer Support Center at 1-800-258-2464 (U.S. only) or 1-414-343-4056.

Installation Requirements

▲ WARNING

Rider and passenger safety depend upon the correct installation of this kit. Use the appropriate service manual procedures. If the procedure is not within your capabilities or you do not have the correct tools, have a Harley-Davidson dealer perform the installation. Improper installation of this kit could result in death or serious injury. (00333b)

These items are available at your local Harley-Davidson dealership.

- **2017-2018 Models with 107 Engine:** Separate purchase of Screamin' Eagle High Capacity Clutch Plate kit (Part No. 37000258) is required.
- **2017-2019 Models:** Separate purchase of Oil Pump Assembly kit (Part No. 62400247-Oil Cooled or 62400248-Twin Cooled) is required.
- **2018 and Later FXFB/S Models:** Separate purchase of High Flow Exhaust (Part No. 64900828 or 64900829).
- Separate purchase of Screamin' Eagle High Flow Air Cleaner kit.

- Separate purchase of the Cam Drive Retention Kit (Part No. 91800088) is required.
- Separate purchase of Cam Spacer Kit (Part No. 25928-06) is required.
- Kit requires ECM recalibration. Contact a Harley-Davidson dealership.

NOTE

This instruction sheet references service manual information. A service manual for the year and model motorcycle is required for this installation and is available from:

- A Harley-Davidson dealer.
- H-D Service Information Portal, a subscription-based access available for most 2001 and newer models. For more information see *Frequently ask questions about subscriptions*.

PREPARE

1. Set motorcycle upright. See service manual.
2. Disarm security system. See service manual.
3. Remove seat. See service manual.
4. Remove main fuse. See service manual.

▲ WARNING

When servicing the fuel system, do not smoke or allow open flame or sparks in the vicinity. Gasoline is extremely flammable and highly explosive, which could result in death or serious injury. (00330a)

5. Remove fuel tank. See service manual.
6. **Twin-Cooled:** Drain coolant system.

REMOVE

NOTE

The following steps are provided as an outline process. Follow procedures in service manual.

1. Remove air cleaner assembly.
2. Remove exhaust system.
3. Remove induction module.
4. Disconnect harness connections from cylinder head.
5. Remove oil coolant lines and manifolds from engine.
6. Remove rocker covers, rocker arms, pushrods, and pushrod tubes.
7. Remove cylinder heads, cylinder and pistons.
8. Remove lifter covers, anti-rotation devices and lifters.

9. Remove cam cover, cam plate and camshaft.
10. Remove inner cam bearing.
11. Remove clutch unless already equipped with a 10 plate clutch. See service manual.

INSTALL

NOTE

The following steps are provided as an outline process. Follow procedures in service manual.

1. Install clutch using 10 plate clutch. See instruction sheet J06246 and service manual.

NOTE

10-plate assist and slip clutch used in Milwaukee-eight vehicles has sufficient capacity to support this kit for most applications. Only install higher capacity springs if clutch slippage occurs. Higher capacity springs will increase clutch lever effort.

2. Install camshaft needle bearing (5).
3. See Figure 3. Install oil pump.
4. Install camshaft into engine.
5. Assemble cam plate and camshaft drive.
6. Verify camshaft to crankshaft timing marks are properly aligned.
7. Install lifters (provided in kit), anti-rotation device, lifter cover gaskets (provided in kit) and lifter covers.
8. Install pistons and cylinders provided in kit. Follow instructions provided with piston and cylinder kit.
9. Install cylinder heads using **new** flange nuts included with kit. Follow instructions provided with cylinder head kit.

NOTE

This kit uses a special head torque sequence.

10. Install pushrod tubes and pushrods using O-rings provided with kit.
11. With piston at approximately Bottom Dead Center (BDC) on power stroke, install rocker arms.
12. Alternately tighten screws to pull rocker shaft down evenly.
13. Install rocker covers.
14. Verify that camshaft to crankshaft timing marks are properly aligned.
15. Install cam cover and **new** gasket provided in kit.
16. Prepare induction module included with kit for installation. See instructions included with induction module.

17. Install high flow fuel injectors.
18. Install induction module.
19. Install coolant/oil manifold to cylinder heads.
 - a. Thoroughly clean ALL threadlocking material from threads of screws and threaded holes. See service manual.
 - b. Clean all debris from mating surfaces.
 - c. Install O-rings provided in kit
20. **Air-Cooled Touring models:** Install fan assisted oil cooler included in kit.
21. Install exhaust system.

NOTE

 - *Touring models require use of exhaust header provided in kit or Screamin' Eagle High-Flow Exhaust System with Street Cannon Mufflers.*
 - *FXDR Models require separate purchase of exhaust header (65600300).*
22. Install air cleaner assembly. See instruction sheet included with separately purchased SE high flow air cleaner kit.

COMPLETE

1. Install fuel tank. See service manual.
2. Install main fuse. See service manual.
3. **Twin-Cooled:** Fill coolant system and purge air. See service manual.
4. Install seat. After installing seat, pull up on the seat to verify that it is secure. See service manual.

NOTICE

You must recalibrate the ECM when installing this kit. Failure to properly recalibrate the ECM can result in severe engine damage. (00399b)

5. Calibrate Electronic Control Module (ECM) with proper calibration for configuration. See dealer for details.
6. Run motorcycle until engine is at normal operating temperature. Repeat several times to verify proper operation.
7. See owner's manual for BREAK-IN RIDING RULES.