



INSTRUCTIONS

J06671

2026-01-15



SADDLEBAG GUARD RAIL KIT

GENERAL INFORMATION

Table 1. General Information

Kits	Suggested Tools	Skill Level ⁽¹⁾
90201902, 90201903, 90202916, 90202917	Safety glasses, Torque wrench	
<i>(1) Tightening to torque value or other moderate tools and techniques required</i>		

KIT CONTENTS (90201902 / 90201903)

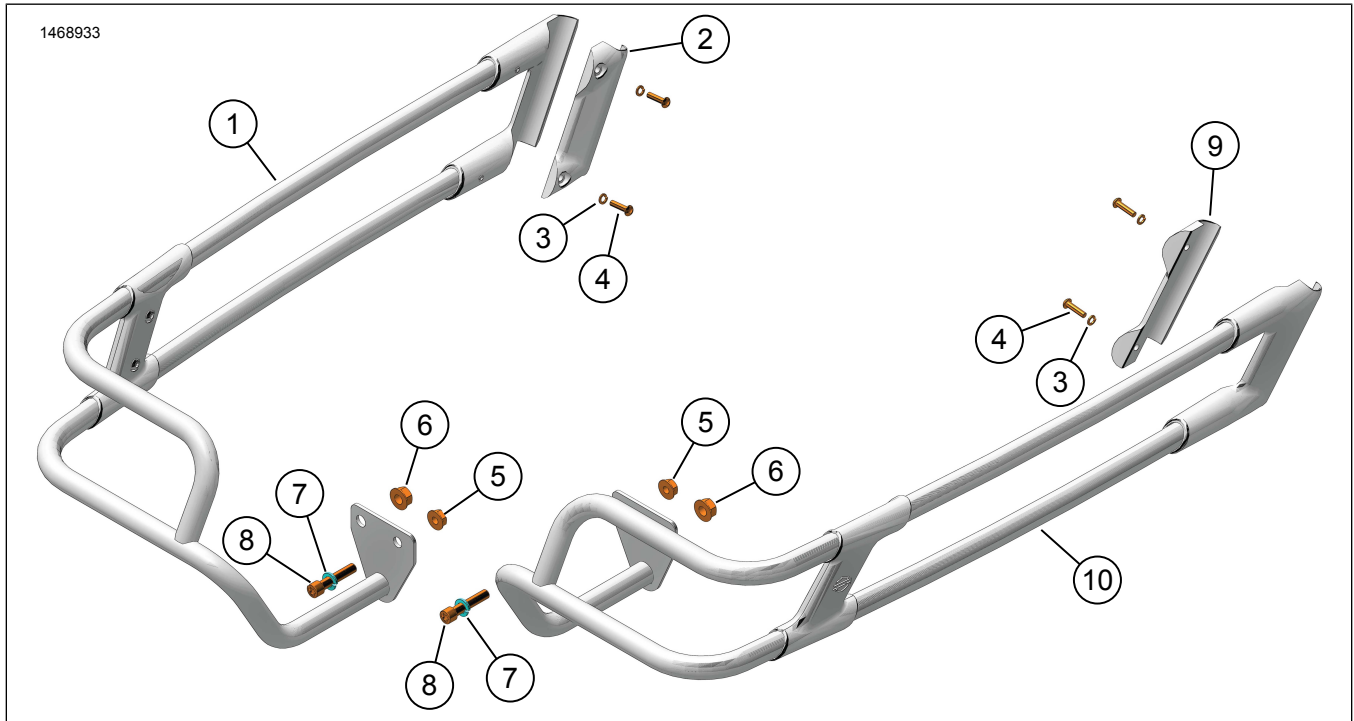


Figure 1. Kit Contents: Saddlebag Guard Rail Kit (90201902 / 90201903)

Table 2. Kit Contents: Saddlebag Guard Rail Kit (90201902 / 90201903)

<input checked="" type="checkbox"/>	Verify that all contents are present in the kit before installing or removing items from vehicle.				
Item	Qty	Description	Part No.	Notes	
<input type="checkbox"/>	1	Saddlebag guard rail, left, chrome (Items included 2-8)	90201950	In kit 90201903	
<input type="checkbox"/>	1	Saddlebag guard rail, left, black (Items included 2-8)	90201948	In kit 90201902	
<input type="checkbox"/>	2	Clamp (left)	Not Sold Separately		
<input type="checkbox"/>	3	Lockwasher, small	7069		
<input type="checkbox"/>	4	Screw	4846		
<input type="checkbox"/>	5	Nut (small)	7531		
<input type="checkbox"/>	6	Nut (large)	7601		
<input type="checkbox"/>	7	Lockwasher (large)	94081-90T		
<input type="checkbox"/>	8	Screw (short)	94583-98		
<input type="checkbox"/>	9	Clamp (right)	Not sold Separately		
<input type="checkbox"/>	10	Saddlebag guard rail, right, chrome (Items included 3-9)	90201949	In kit 90201903	
<input type="checkbox"/>	10	Saddlebag guard rail, right, black (Items included 3-9)	90201947	In kit 90201902	

KIT CONTENTS (90202916 / 90202917)

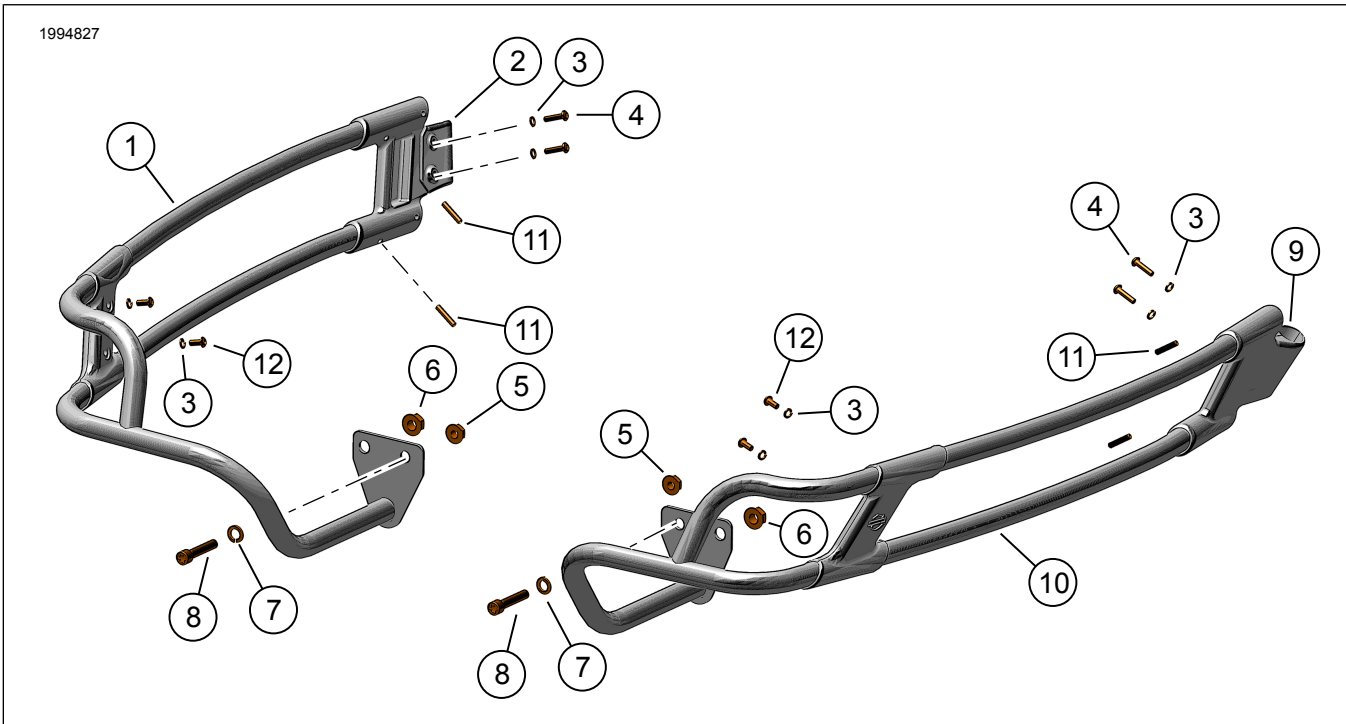


Figure 2. Kit Contents: Saddlebag Guard Rail Kit (90202916 / 90202917)

Table 3. Kit Contents: Saddlebag Guard Rail Kit (90202916 / 90202917)

<input checked="" type="checkbox"/>	Verify that all contents are present in the kit before installing or removing items from vehicle.				
	Item	Qty	Description	Part No.	Notes
<input type="checkbox"/>	1	1	Saddlebag guard rail, left, chrome (Items included 2-8, 11, 12)	90202924	In kit 90202916
<input type="checkbox"/>	1	1	Saddlebag guard rail, left, black (Items included 2-8, 11, 12)	90202922	In kit 90202917
<input type="checkbox"/>	2	1	Clamp (left)	Not Sold Separately	
<input type="checkbox"/>	3	8	Lockwasher, small	7069	
<input type="checkbox"/>	4	4	Screw	4846	
<input type="checkbox"/>	5	2	Nut (small)	7531	
<input type="checkbox"/>	6	2	Nut (large)	7601	
<input type="checkbox"/>	7	2	Lockwasher (large)	94081-90T	
<input type="checkbox"/>	8	2	Screw (short)	94583-98	
<input type="checkbox"/>	9	1	Clamp (right)	Not Sold Separately	
<input type="checkbox"/>	10	1	Saddlebag guard rail, right, chrome (Items included 3-9, 11, 12)	90202925	In kit 90202916
<input type="checkbox"/>	10	1	Saddlebag guard rail, right, black (Items included 3-9, 11, 12)	90202923	In kit 90202917
<input type="checkbox"/>	11	4	Set screw	12600093	torque to 30 in/lbs
<input type="checkbox"/>	12	4	Screw	10200331	torque to 35 in/lbs

GENERAL

Instruction sheet is also available electronically. To verify you are using the most current version available, do one of the following:

- Go to h-d.com/isheets
- Scan QR code in upper left corner of the instruction sheet

NOTE

This instruction sheet may have a Supplemental Video to assist installer in clarifying a certain part of the assembly. A linked video would be located at the end of this instruction sheet.

Models

For model fitment information, see the Parts and Accessories (P&A) Retail Catalog or the Parts and Accessories section of www.harley-davidson.com.

Contact Harley-Davidson Customer Support Center at 1-800-258-2464 (U.S. only) or 1-414-343-4056.

Installation Requirements

▲ WARNING

Rider and passenger safety depend upon the correct installation of this kit. If the procedure is not within your capabilities or you do not have the correct tools, have a Harley-Davidson dealer perform the installation. Improper installation of this kit could result in death or serious injury. (00308b)

PREPARE

1. Remove both saddlebags. See owner's manual.

REMOVE

1. See Figure 3. Remove existing hardware:
 - a. Short screw (1) and nut (2). Discard hardware.
 - b. Long screw (4) and nut (3). Discard nut.

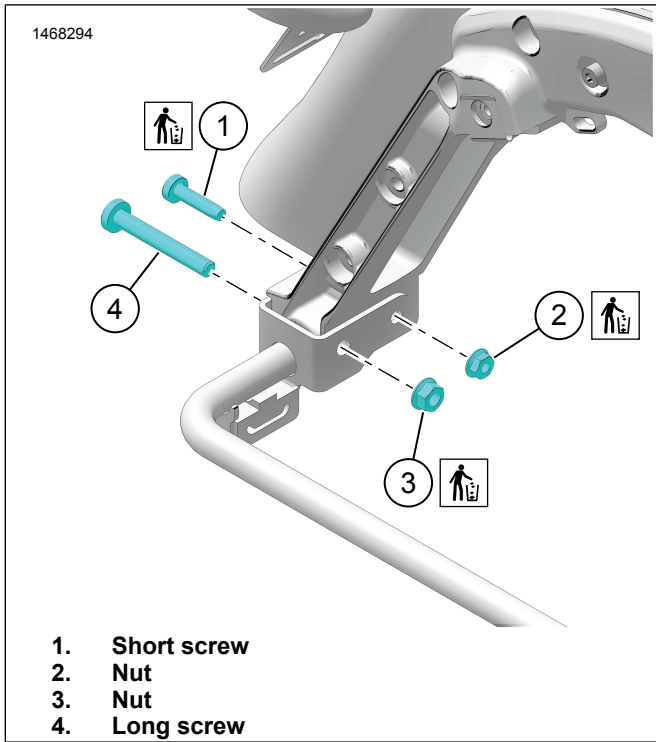


Figure 3. Hardware Removal

INSTALL

1. See Figure 4. Install saddlebag guard rail to one side at a time:
 - a. Install rear guard rail to saddlebag support.
 - b. Secure saddlebag guard rail (1) with short screw (3), large lockwasher (4) and nut (5). Leave fasteners loose.
 - c. Install original equipment (OE) long screw (2) and nut (6). Leave fasteners loose.

2. See Figure 4. Install front guard rail to saddlebag support.
 - a. Position front of saddlebag guard rail (1) onto support assembly.
 - b. Secure with clamp (7), small lockwashers (8) and screws (9).
 - c. For kits 90201902/90201903, tighten front clamp screws (9).
Torque: 7.3 N·m (65 in-lbs)
 - d. See Figure 5. For kits 90202916/90202917, identify correct clamp position (left or right) as marked on the back side of part. Install correctly as shown.
 - e. For kits 90202916/90202917, tighten front clamp screws (9).
Torque: 3.7–4.5 N·m (33–40 in-lbs)
 - f. For all kits tighten outboard screw (2) and nut (6).
Torque: 40.7–50.2 N·m (30–37 ft-lbs)
 - g. For all kits tighten inboard screw (3) and nut (5).
Torque: 20.3–27.1 N·m (15–20 ft-lbs)

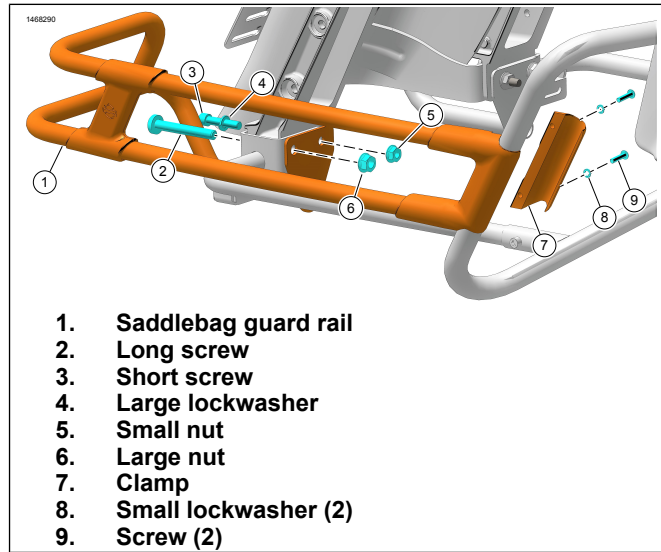


Figure 4. Saddlebag Guard Rail

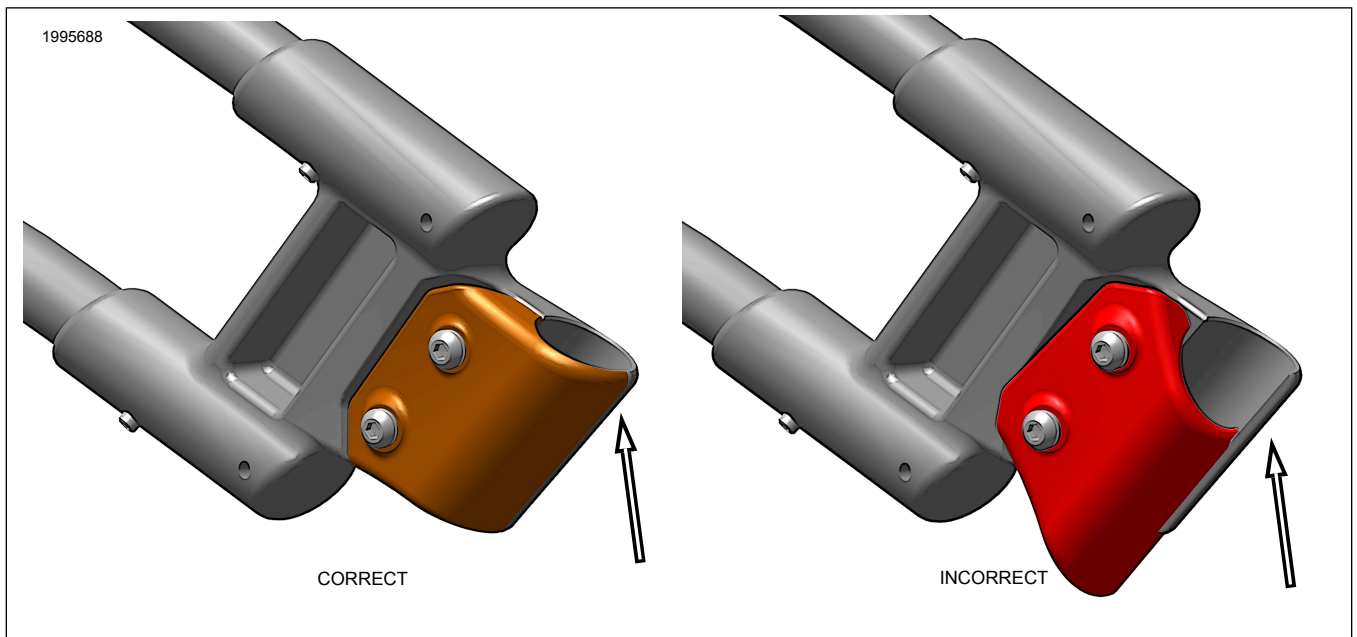


Figure 5. Kits 90202916/90202917 Clamp Orientation

3. Repeat installation for opposite side.

COMPLETE

1. Install saddlebags. See owner's manual.

NOTE

Front guard rails have protruding set screws that face the saddlebags. Avoid damage to the saddlebags by making sure the set screws do not touch the saddlebag during saddlebag installation.