



INSTRUCTIONS

-J06398

2017-01-16

XL CUTBACK SIDE COVER KITS

GENERAL

Kit Numbers

57200139, 57200140

Models

For model fitment information, see the P&A retail catalog or the Parts and Accessories section of www.harley-davidson.com (English only).

Installation Requirements

▲ WARNING

Rider and passenger safety depend upon the correct installation of this kit. If the procedure is not within your capabilities or you do not have the correct tools, have a Harley-Davidson dealer perform the installation. Improper installation of this kit could result in death or serious injury. (00308b)

Kit Contents

Refer to Figure 4. and Refer to Table 1.

REMOVAL, RIGHT SIDE COVER

1. Refer to Figure 4. Remove filler cap/dipstick (B) from oil tank (A) on right side of vehicle.
 - a. Press straight down on filler cap/dipstick and release. Cap will pop up.
 - b. Pull up on cap while turning counterclockwise one-quarter turn to unscrew filler cap. Remove filler cap/dipstick.
2. Remove currently installed right hand side cover by gently prying bottom lip of cover off tab on oil tank (A). Lift cover up slightly so mounting holes on top of cover clear mounting posts on oil tank. Remove cover.

INSTALLATION, RIGHT SIDE COVER

1. Refer to Figure 4. Place top of **new** side cover (1) onto right side of oil tank (A) so that mounting holes in top of cover fit onto mounting posts on oil tank.
2. Press bottom of side cover in place on oil tank so that slot in bottom of cover snaps onto mounting tab on oil tank.

NOTE

Filler cap/dipstick has a wide slot (D) and a narrow slot (E), and can only be inserted in oil tank one way.

3. Insert filler cap/dipstick (B) into oil tank (A). Press down on filler cap while turning clockwise one-quarter turn to screw filler cap into oil tank. When cap stops turning, it is fully seated. Press down on cap until it snaps in place, flush with top of right hand side cover (1).

REMOVAL, LEFT SIDE COVER

1. Cover passenger footpeg and rear brake fluid line.

NOTE

Refer to Figure 1. Disengage **rear** barrel clip (2) first.

Cover hangs from hook (3) on battery tray.

2. Grasp top corners of currently installed left side cover.
3. Gently pull cover with barrel clips (2) away from plastic socket clips (1) on frame.
4. Lift side cover up.
5. Tilt cover to the rear.
6. Refer to Figure 2. With a back and forth rocking motion, pull up and out to disengage cover (1) from mounting hook (2) on battery tray (3).
7. Refer to Figure 1. Remove and discard two plastic socket clips (1) on frame.

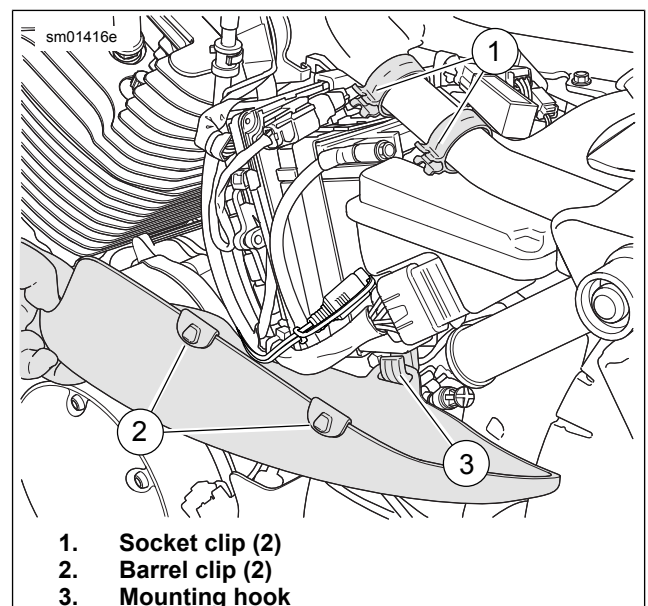


Figure 1. Left Side Cover

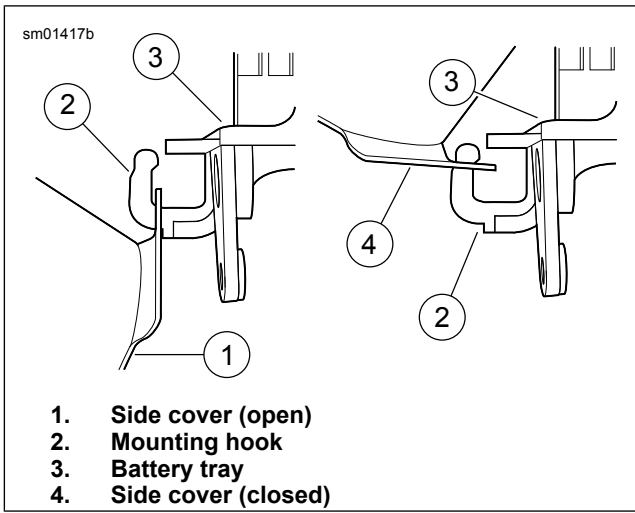


Figure 2. Bottom Mount

INSTALLATION, LEFT SIDE COVER

NOTE

Make sure passenger footpeg and rear brake fluid line remain covered.

1. Refer to Figure 4. Install two **new** socket clips (8) from the Side Cover Mounting Kits (5) onto the upper frame rail to replace the clips discarded earlier. Install the barrel clips (6) onto the **new** left side cover using the **new** mounting screws (7) from the Mounting Kit. Tighten securely.

SERVICE PARTS

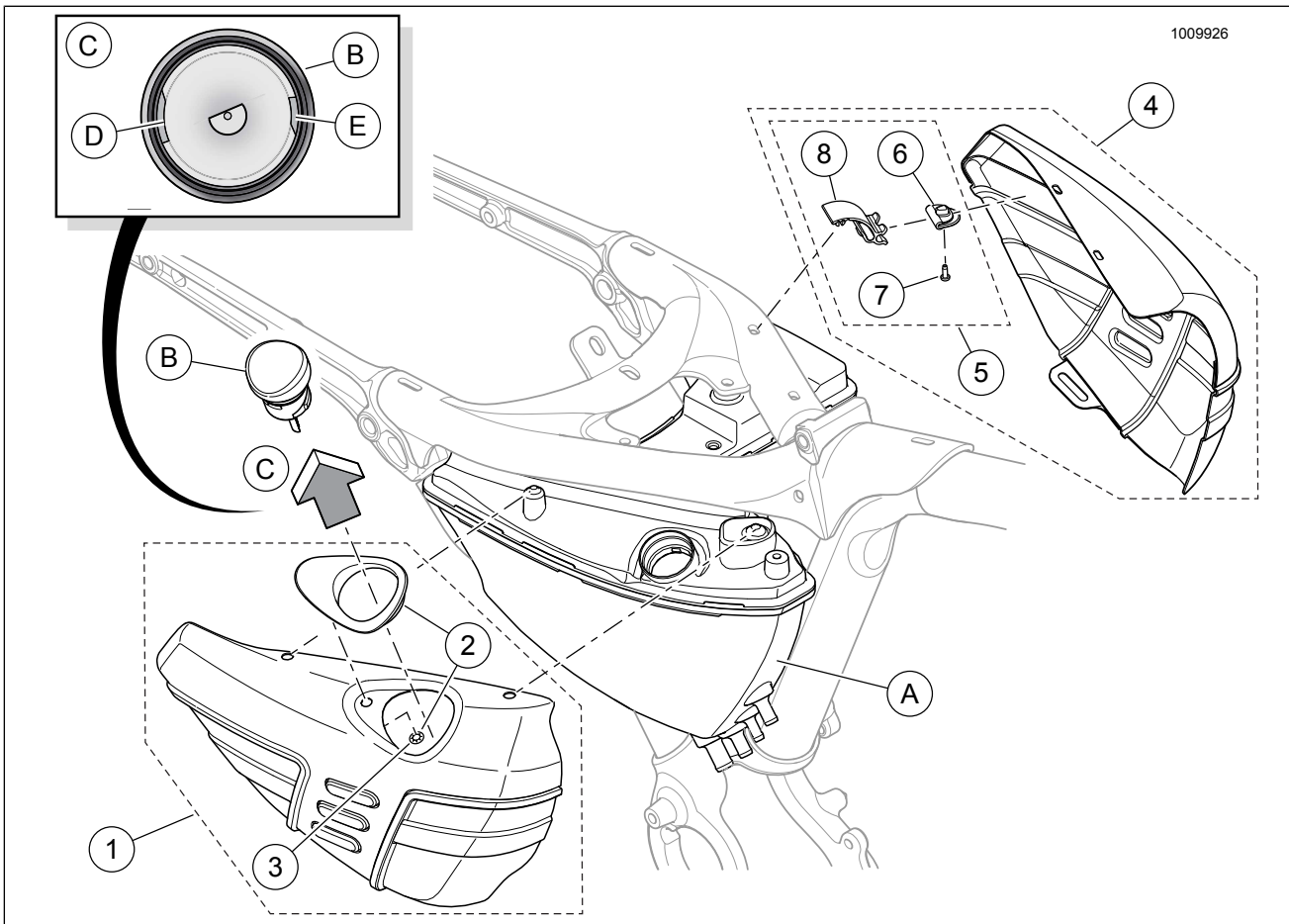


Figure 4. Service Parts, XL Cutback Side Cover Kit

2. Refer to Figure 3.. Position the left side cover over the battery tray. Align slot at bottom of cover to mounting hook on tray. Install cover over mounting hook.
3. Rotate cover upward, aligning the barrel clips to the mating socket clips on the upper frame rail.

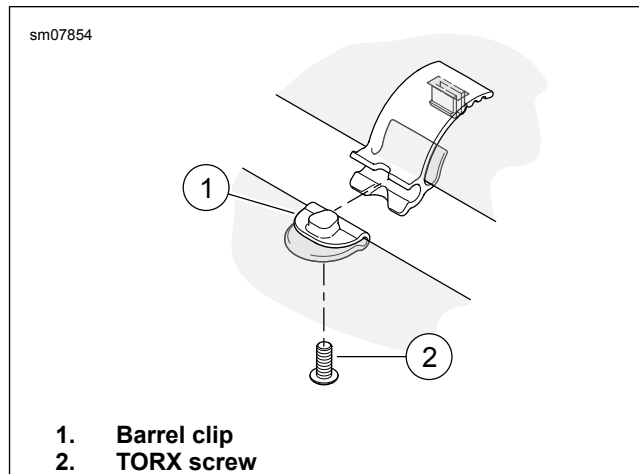


Figure 3. Barrel Clip

Table 1. Kit Contents

Item	Description (Quantity)	Part Number
1	Oil Tank Cover Kit (Right side) (includes Item 2)	57200139
2	-- Trim bezel (includes Item 3)	61400428
3	-- -- Push nut	8135B
4	Battery Cover (Left side) (includes two of Item 5)	57200134
5	-- Side Cover Mounting Kit (2) (includes Items 6-8)	70417-04C
6	-- -- Left side cover mounting clip, barrel end	66389-09
7	-- -- Pan head TORX [®] screw, #6	4991
8	-- -- Left side cover mounting clip, socket end	70417-09
Items mentioned in text, but not included in kit:		
A	Oil tank	
B	Oil filler cap	
C	View in direction of arrow	
D	Wide slot	
E	Narrow slot	