



INSTRUCTIONS

-J04903

2011-03-07

TWO-UP LUGGAGE RACK

GENERAL

Kit Number

54252-10, 50300038

Models

For model fitment information, see the P&A Retail Catalog or the Parts and Accessories section of www.harley-davidson.com (English only).

Additional Parts Required

If luggage rack is installed **without** a passenger pillion, separate purchase of a washer (6397B) will be required for proper installation of this kit.

Loctite® 243 Threadlocker and Sealant - Blue (Part No. 99642-97) is required for the proper installation of this kit. This item is available from a Harley-Davidson dealer.

▲ WARNING

Rider and passenger safety depend upon the correct installation of this kit. If the procedure is not within your capabilities or you do not have the correct tools, have a Harley-Davidson dealer perform the installation. Improper installation of this kit could result in death or serious injury. (00308b)

▲ WARNING

Do not exceed luggage rack weight capacity. Too much weight can cause loss of control, which could result in death or serious injury. (00373a)

NOTE

Maximum luggage rack weight capacity is 4.5 kg (10 lb).

Kit Contents

See Figure 2 and Table 1.

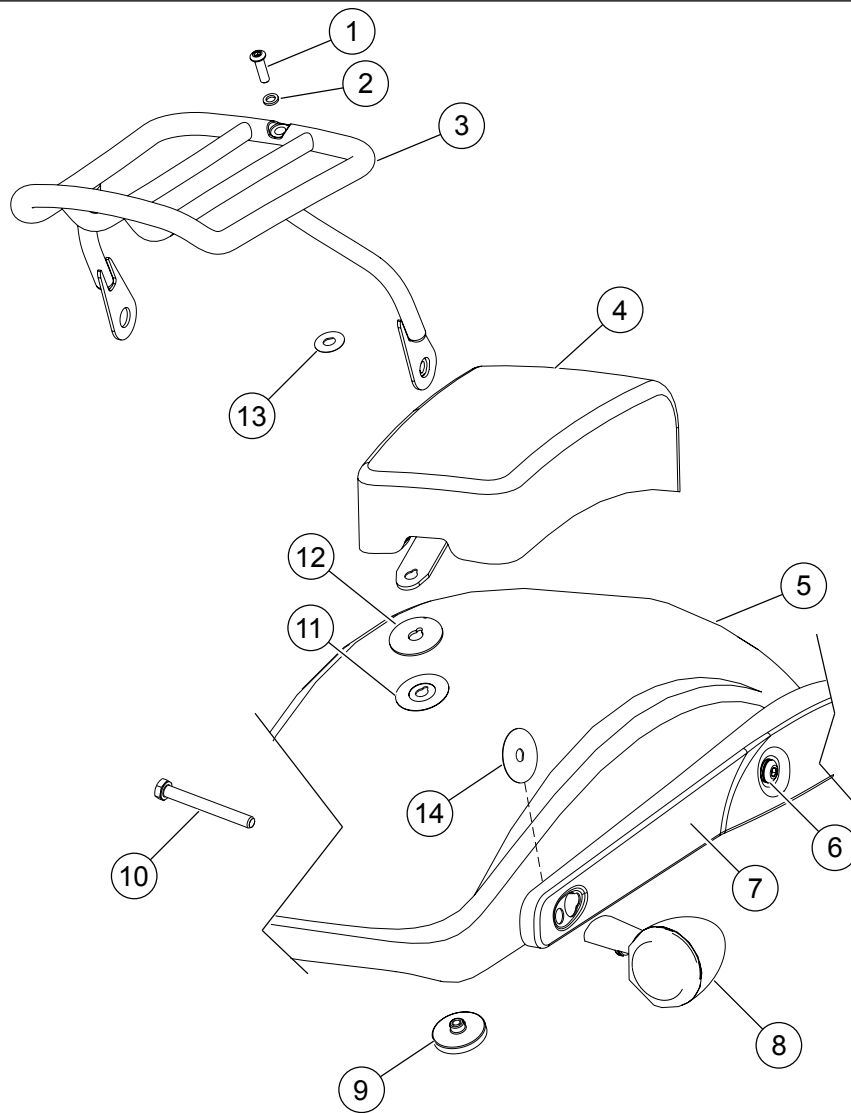
REMOVAL

1. See Figure 1. Remove pillion (4) following the instructions in the owner's manual. Discard the stock pillion mounting hardware.
2. **For US Models:** Remove and discard the turn signal mounting screws (10). **For Non-US Models:** Remove and save the turn signal mounting screws (10).
3. Gently pull the turn signal assembly (8) away from the fender support and allow the assembly to hang loosely. Repeat for the other side.

4. Loosen the front fender support mounting bolts (6).

INSTALLATION

1. See Figure 1. Remove the adhesive backing from the protective tape (11). Align and install the tape on the fender (5) around the pillion mounting hole.
2. Position the spacer (12) over the protective tape and align with the mounting hole. Install with the concave side of the spacer against the fender.
3. Install the pillion (4), but do not install the pillion mounting screw at this time.
4. **For Installation without Docking Point Kit:** The installation order is: the fender (5), stock upright, the rack (3) mounting hole tabs and the fender support (7). If necessary, slightly pull support away from fender to insert the mounting rack tabs around the fender support boss. Align the rack mounting holes with the turn signal mounting bolt holes. Verify that no wires are pinched or crimped by the rack mounting tabs. **For Installation with Docking Point Kit:** The installation order is: the fender (5), spacer (14) (from docking point kit), the rack (3) mounting hole tabs and the fender support (7). If necessary, slightly pull support away from fender to insert the mounting rack tabs around the fender support boss. Align the rack mounting holes with the turn signal mounting bolt holes. Verify that no wires are pinched or crimped by the rack mounting tabs.
5. **For US Models:** Install the turn signal mounting bolts (10) from the kit. Tighten finger-tight. **For Non-US Models:** Install the stock turn signal mounting screws. Tighten finger-tight.
6. Apply a small amount of Loctite 243 (blue) to the threads of mounting screw (1).
7. Position the seat tab retainer (9) under the fender and install the luggage rack mounting bolt (1) and flat washer (2) through the rack, pillion mounting bracket or washer (available for separate purchase), spacer (12), fender (5) and thread into the seat tab retainer (9). Tighten the bolt to 16.3 N·m (144 in-lbs).
8. Tighten the front fender support mounting bolts to 16.3–24.4 N·m (144–216 in-lbs).
9. Tighten the turn signal mounting bolts to 16.3–21.7 N·m (144–192 in-lbs).



- | | |
|--------------------------------------|---|
| 1. Rack mounting screw | 8. Turn signal assembly (2) |
| 2. Flat washer | 9. Seat tab retainer |
| 3. Luggage rack | 10. Turn signal mounting screw (2) |
| 4. Pillion | 11. Protective tape |
| 5. Fender | 12. Spacer |
| 6. Front fender support screw (2) | 13. Washer (models without passenger pillion installed) (purchased separately) |
| 7. Fender support (right side shown) | 14. Spacer (2) (models with docking points installed) (provided with docking point kit) |

Figure 1. Install Luggage Rack

SERVICE PARTS

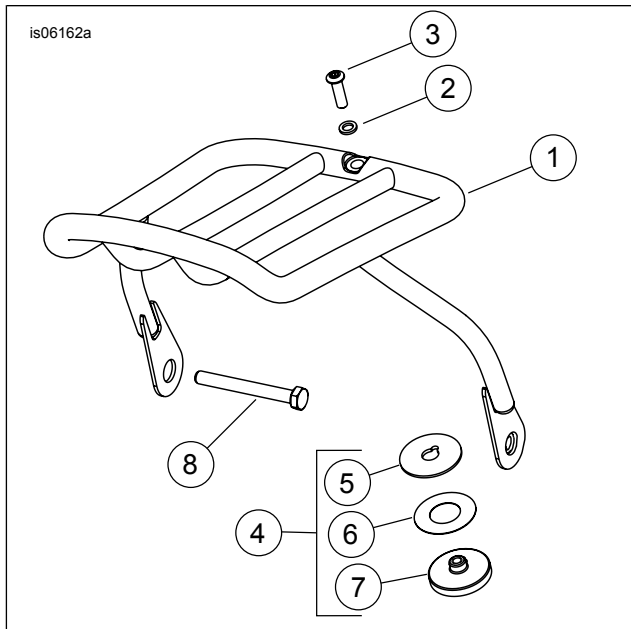


Figure 2. Service Parts: Two-Up Luggage Rack

Table 1. Service Parts

Item	Description (Quantity)	Part Number
1	Luggage rack	Not Sold Separately
2	Washer, 1/4	6101
3	Screw, 1/4-20 x 7/8 inch	4015
4	Service kit	59787-03
5	• Spacer, chrome	Not Sold Separately
6	• Protective tape	Not Sold Separately
7	• Seat tab retainer	Not Sold Separately
8	Screw, 5/16-28 x 2-3/4 inch	3500A