



# INSTRUCTIONS

-J03723

2012-11-09

## DYNA CHROME ENGINE COVER KIT

### GENERAL

#### Kit Number

16327-06B

#### Models

For model fitment information, see the P&A retail catalog or the Parts and Accessories section of [www.harley-davidson.com](http://www.harley-davidson.com) (English only).

#### Additional Parts Required

##### ▲ WARNING

Rider and passenger safety depend upon the correct installation of this kit. Use the appropriate service manual procedures. If the procedure is not within your capabilities or you do not have the correct tools, have a Harley-Davidson dealer perform the installation. Improper installation of this kit could result in death or serious injury. (00333b)

### SERVICE PARTS

#### NOTE

This instruction sheet references service manual information. A service manual for this model motorcycle is required for this installation and is available from a Harley-Davidson dealer.

#### Kit Contents

See Figure 1 and Table 1.

### INSTALLATION

The chrome engine covers are direct replacements for the original equipment (OE) engine covers. Installation procedures for this kit are the same as the OE installation procedures in the service manual.

#### NOTE

Refer to the service manual for engine cover removal and installation procedures.

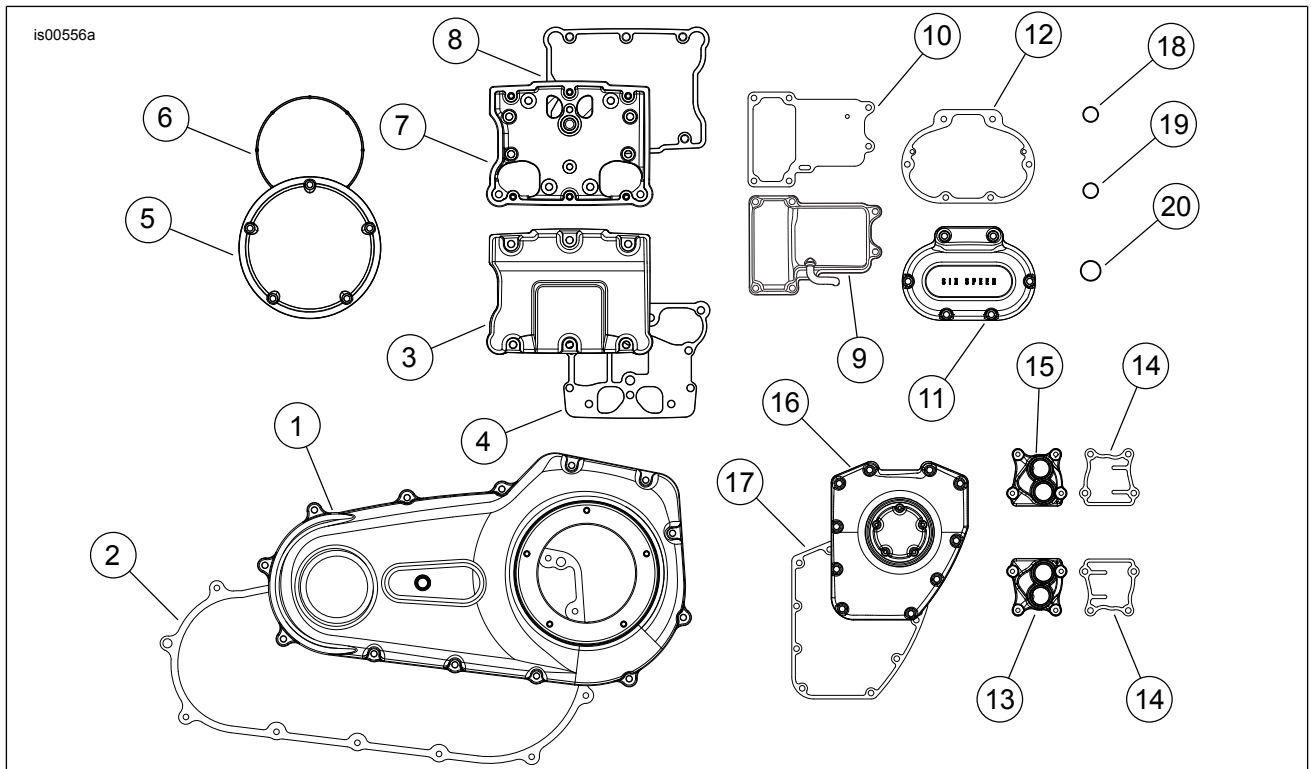


Figure 1. Service Parts, Dyna Chrome Engine Cover Kit

Table 1. Service Parts, Dyna Chrome Engine Cover Kit

| Item | Description (Quantity)           | Part Number |
|------|----------------------------------|-------------|
| 1    | Primary chaincase cover (chrome) | 60764-06A   |
| 2    | Primary chaincase cover gasket   | 60547-06    |
| 3    | Rocker cover (2)                 | 17572-99    |

**Table 1. Service Parts, Dyna Chrome Engine Cover Kit**

| <b>Item</b> | <b>Description (Quantity)</b>     | <b>Part Number</b> |
|-------------|-----------------------------------|--------------------|
| 4           | Rocker housing gasket (2)         | 16719-99B          |
| 5           | Clutch cover (Chrome)             | 60766-06           |
| 6           | Clutch cover, seal                | 25418-06           |
| 7           | Rocker cover, lower (chrome) (2)  | 17573-99A          |
| 8           | Rocker cover gasket (2)           | 17386-99A          |
| 9           | Transmission top cover (chrome)   | 34469-06B          |
| 10          | Transmission top cover gasket     | 34917-06           |
| 11          | Transmission side cover (chrome)  | 37116-06           |
| 12          | Transmission side cover gasket    | 36805-06           |
| 13          | Tappet cover, rear (chrome)       | 17966-99           |
| 14          | Tappet cover gasket (2)           | 18635-99B          |
| 15          | Tappet cover, front (chrome)      | 17964-99           |
| 16          | Cam cover (chrome)                | 25369-01B          |
| 17          | Cam cover gasket                  | 25244-99A          |
| 18          | O-Ring (4)                        | 11293              |
| 19          | O-Ring (4)                        | 11132A             |
| 20          | O-Ring, Push-Rod, Lower Guide (4) | 11145A             |