



INSTRUCTIONS

-J05324

2013-04-03

BACKREST PAD KIT

GENERAL

Kit Number

See service parts table.

Models

For model fitment information, see the P&A Retail Catalog or the Parts and Accessories section of www.harley-davidson.com (English only).

INSTALLATION

1. With your hand, feel through the backrest material to locate mounting holes.
2. Carefully cut the clear plastic rain seal away from the screw holes in the backrest pad to prevent the plastic from catching in the screw threads.
3. See Figures 1 through 5 and tables for the various backrest models. For models using bracket(s), secure backrest to sissy bar using bracket and screws as shown in illustrations.
4. Tighten all screws securely. Do not overtighten.

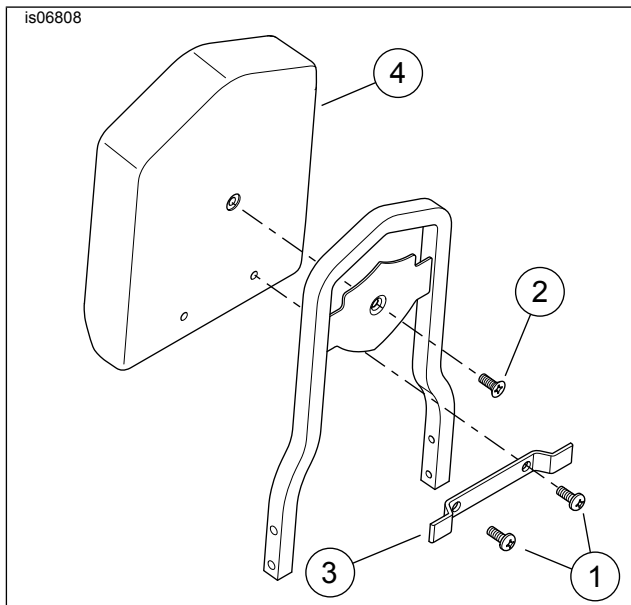


Figure 1. Service Parts: # 1 Kits Backrest Pad

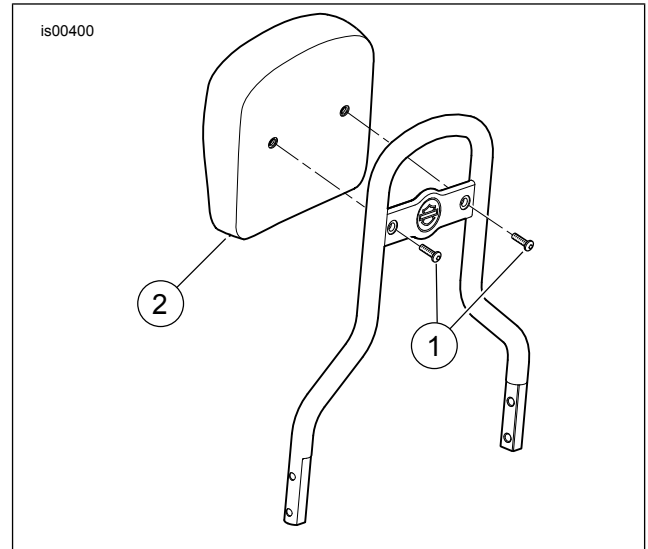


Figure 2. Service Parts: # 2 Kits Backrest Pad

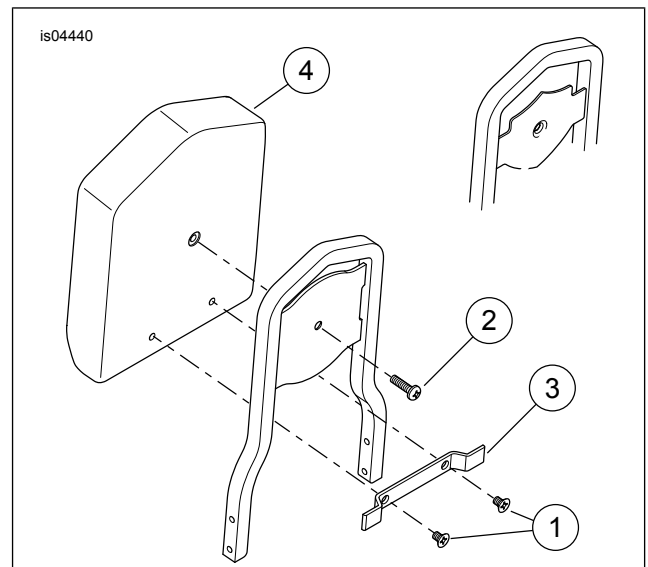


Figure 3. Service Parts: # 3 Kits Backrest Pad

is06810b

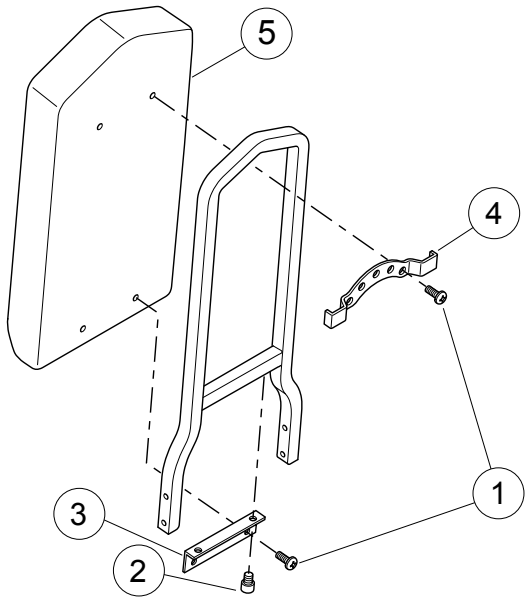


Figure 4. Service Parts: # 4 Kits Backrest Pad

is06828b

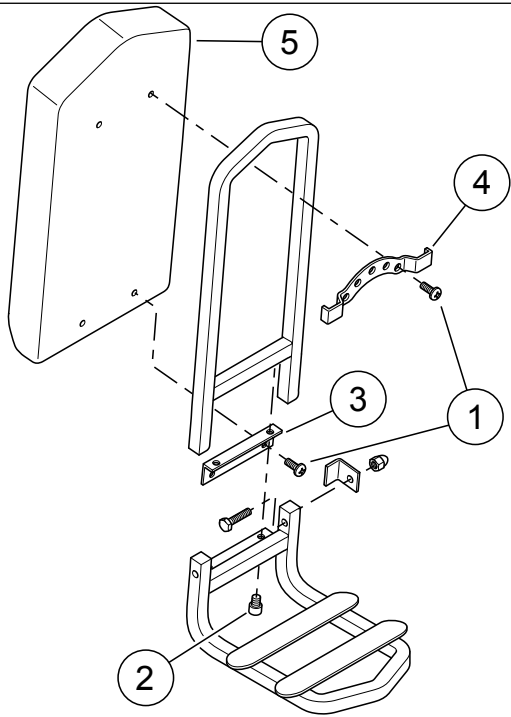


Figure 5. Service Parts: # 4 Kits Backrest Pad

is06825a

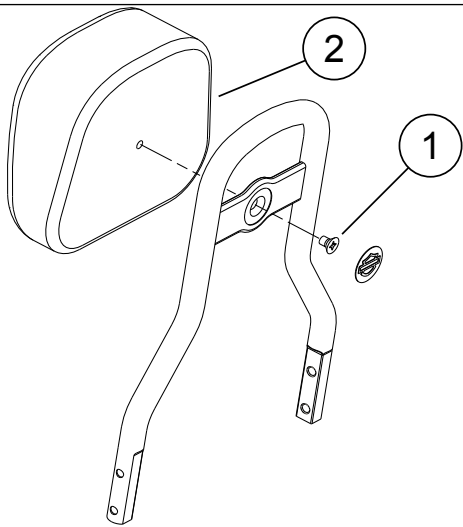


Figure 6. Service Parts: # 5 Kits Backrest Pad

Table 1. Service Parts Table

Kit	Item	Description (Quantity)	Part Number	
#1 KITS: 51667-98 51711-06 52087-98 52412-79A 52532-90 52545-84 52612-95 52626-04 52652-04 52656-04	1	Screw, 1/4-20 X 5/8 in, pan head (2)	1000	
	2	Screw, 1/4-20 X 3/4 in, flat head	1602	
	3	Bracket, backrest	52771-82	
	4	Backrest	Not Sold Separately	
#2 KITS: 51622-07 51640-06 51641-06 51642-06 52300293 52300301 52300336	1	Screw, 1/4-20 X 5/8 in, pan head (2)	1000	
	2	Backrest	Not Sold Separately	
#3 KITS: 51132-98 52347-97 52348-97 52512-02	1	Screw, 1/4-20 X 1 in, flat head (2)	1617	
	2	Screw, 1/4-20 X 1 in, pan head (2)	2538	
	3	Backrest bracket	52771-82	
	4	Backrest	Not Sold Separately	
#4 KITS: 52965-98, 91770-85	1	Screw, 1/4-20 X 5/8 in, pan head (4)	1000	
	2	Screw, 5/16-18 x 3/8 in, socket head (2)	3531A	
	3	Bracket, backrest	52424-85	
	4	Bracket, chrome	Not Sold Separately	
	5	Backrest pad	Not Sold Separately	
#5 KITS: 52300013 52300038	1	Screw, 1/4-20 x 5/8 in, pan head	1000	
	2	Backrest	Not Sold Separately	