



# INSTRUCTIONS

-J03314

2018-01-16

## AIR CLEANER COVER INSERT

### GENERAL

#### Kit Numbers

27957-10, 27961-10, 29416-04, 29400341, 61300055, 61400020, 61400051, 61400165, 61400169

#### Models

For model fitment information, see the P&A Retail Catalog or the Parts and Accessories section of [www.harley-davidson.com](http://www.harley-davidson.com) (English only).

#### ▲ WARNING

Rider and passenger safety depend upon the correct installation of this kit. If the procedure is not within your capabilities or you do not have the correct tools, have a Harley-Davidson dealer perform the installation. Improper installation of this kit could result in death or serious injury. (00308b)

#### NOTE

A service manual for your model motorcycle is available from your Harley-Davidson Dealer.

#### Kit Contents

See Figure 2 and Table 1.

### INSTALLATION

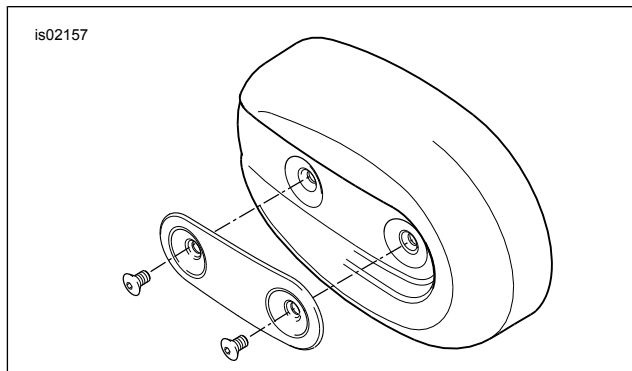


Figure 1. Remove Screws and Insert

1. See Figure 1. Remove original equipment (OE) screws and insert from front of air cleaner cover.
2. See Figure 2. Match the holes and place the kit insert (1) on the front of the air cleaner cover.

#### NOTE

The longer screws (2) are installed when using the Screamin' Eagle Sportster High-Flow Air Cleaner Kit (Harley-Davidson Part No. 29042-04). The shorter screws (3) are installed with the stock air cleaner assembly.

3. Install the insert with screws (2) or (3), washers (4) and spacers (5) (if not attached to the insert).
4. Tighten screws.  
Torque: 3.4–6.8 N·m (30–60 in-lbs) *air cleaner*

### SERVICE PARTS

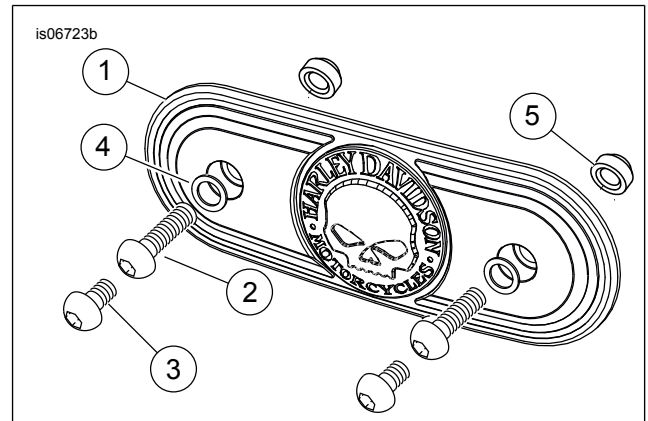


Figure 2. Service Parts: Skull Air Cleaner Insert Shown

Table 1. Service Parts: Air Cleaner Cover Insert

Item	Description (Quantity)	Part Number
1	Air cleaner insert	Not Sold Separately
2*	<b>For Kit 27957-10, 27961-10, 29416-04, 29400341, 61400020, 61400051, 61400165, 61400169</b>	
	Screw (2)	94334-91T
	<b>For Kit 29400341</b>	
	Screw, socket head, black (2)	10200494
3*	<b>For Kit 27957-10, 27961-10, 29416-04, 29400341, 61400020, 61400051, 61400165, 61400169</b>	
	Screw (2)	94331-91T
	<b>For Kit 29400341</b>	
	Screw, socket head, black (2)	10200496
4	<b>For Kit 27957-10, 27961-10, 29416-04, 29400341, 61300055, 61400020, 61400051, 61400165, 61400169</b>	
	Washer (2)	Not Sold Separately
	<b>For Kit 29400341</b>	
	Washer, flat, black oxide (2)	10300124
5	Tapered spacer (2)	Not Sold Separately

\* Note: Kit 61300055 uses unique screws (2 and 3) and are not sold separately.