



INSTRUCTIONS

-J06370

2018-03-23

HOLDFAST DETACHABLE SISSY BAR UPRIGHTS

GENERAL

Kit Numbers

52300432, 52300433, 52300434, 52300435, 52300436,
52300437, 52300439, 52300441, 52300442, 52300444,
52300446, 52300448, 52300450, 52300452, 52300454,
52300456

Models

For model fitment information, see the P&A retail catalog or the Parts and Accessories section of www.harley-davidson.com (English only).

Installation Requirements

▲ WARNING

Rider and passenger safety depend upon the correct installation of this kit. If the procedure is not within your capabilities or you do not have the correct tools, have a Harley-Davidson dealer perform the installation. Improper installation of this kit could result in death or serious injury. (00308b)

Kit Contents

Refer to Figure 3 and Table 1.

INSTALLATION

- See Figure 3. Position the right (4) and left (3) latch levers in the unlocked position as shown in Figure 1, upper view (Item 1).
 - Pull both detent levers (3) rearward against the compression spring (8, not visible).
 - Rotate the levers upward so each latch nose (4) is positioned inside the lower rear notch (9) of the side plate (6).
 - Each detent pin (7) is now located in the uppermost (unlocked position) notch.
 - The compression spring (8) inside the detent lever holds the latch (5) in the unlocked position.
- Push the sideplate front notches (10), with grommets (11) in place, firmly and evenly into the **front** docking points (12).
- See Figure 1, lower view. Swing the rear of the backrest side plates (6) downward toward the **rear** docking points (13).
 - As the side plates (6) move down, the latches make contact with the plastic surface of the rear docking points.
- As the docking points contact the latches, each latch nose (4) is forced upward.
 - This causes the pin (7) to move down into the lowermost (2-locked) position on the side plate.
 - The springs (8) lock each latch firmly in place around the rear docking points.
 - You should hear an audible click as the latches engage the docking points.
- Make sure that detent pins (7) are fully seated against the side plates (6).
 - If not fully seated, push detent lever (3) forward.
 - If still not fully seated, docking point may need to be rotated. See Docking Hardware Kit instructions.

-J06370



Many Harley-Davidson® Parts & Accessories are made of plastics and metals which can be recycled. Please dispose of materials responsibly.

1 / 3

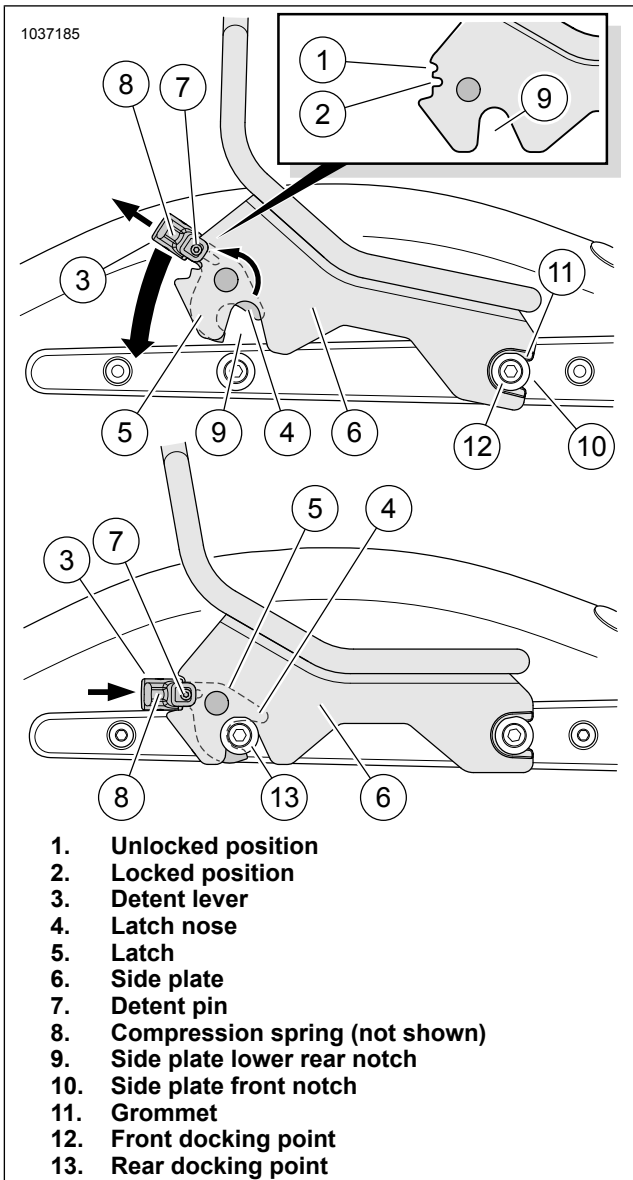


Figure 1. Detachable Backrest Installation

REMOVAL

1. See Figure 2. Pull both detent levers (3) rearward from the locked position (2), against the compression spring (8).
2. Rotate the detent levers upward while pulling on the levers.
 - a. As the levers rotate upward, the latch noses (4) are forced against the rear docking points (Figure 1, Item 13).

- b. This raises the rear of the backrest side plates (6) out of the docking points.
3. Release the detent levers. The springs (8) will move each lever back into the unlocked position (1).
4. Pull the backrest side plates away from the front docking points.
5. Remove the backrest from the vehicle.

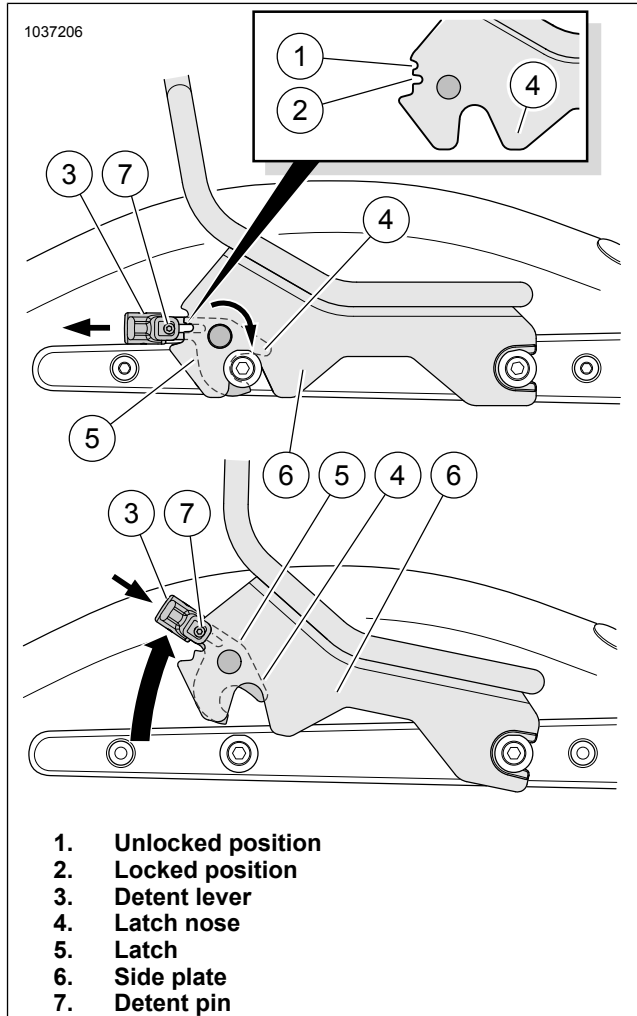


Figure 2. Detachable Backrest Removal

MAINTENANCE

In time docking points wear, causing the rack to become loose and rattle. Tighten using maintenance procedure found in Docking Hardware Kit J06371.

SERVICE PARTS

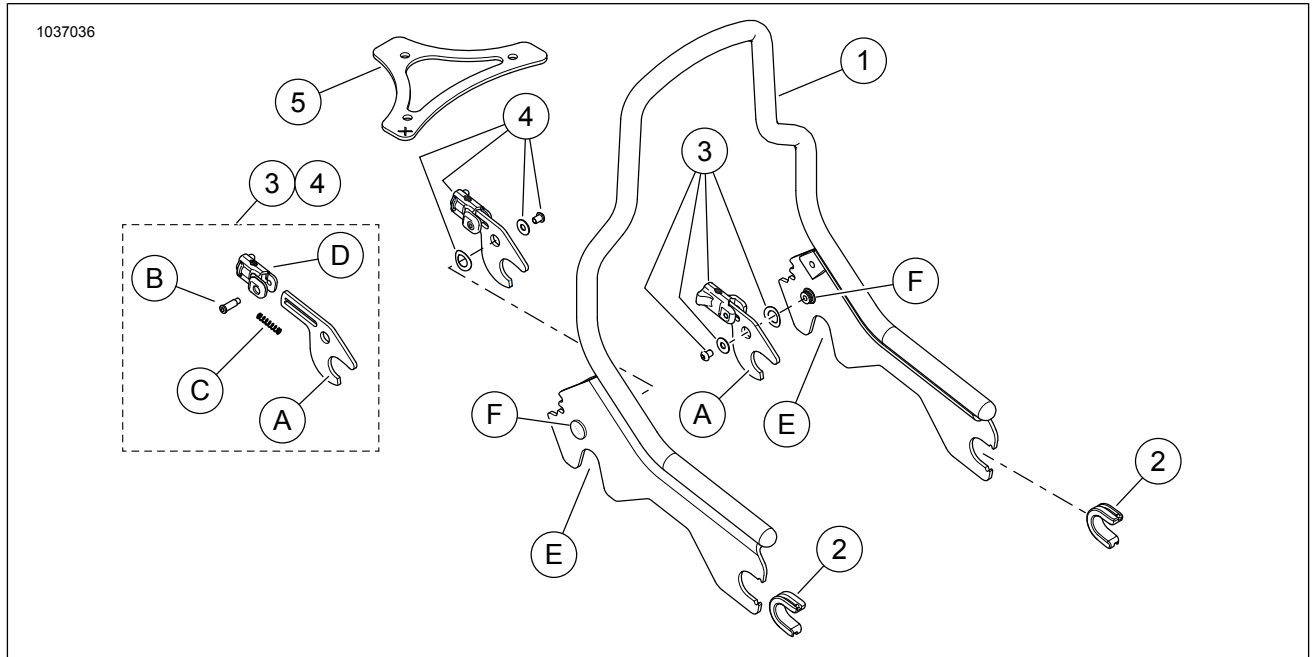


Figure 3. Service Parts, Detachable Backrest Kits

Table 1. Service Parts

Item	Description (Quantity)	Part Number
1	Support structure, backrest	Not sold separately
2	Grommet, side plate mounting bracket (2)	52300474
3	Docking System Latch Lever Kit - Left (black)	52300496
	Docking System Latch Lever Kit- Left (chrome)	52300495
4	Docking System Latch Lever Kit - Right (black)	52300494
	Docking System Latch Lever Kit- Right (chrome)	52300493
5	Mounting bracket, backrest (black)	54083-09
	Mounting bracket, backrest (chrome)	52565-94
Items mentioned in text		
A	Latch	
B	Detent pin	
C	Compression spring	
D	Detent lever	
E	Lower rear side plate notch	
F	Pivot plug, threaded	