



# INSTRUCTIONS

-J01779

REV. 9-28-99

Kit Number 90272-00

## DYNA SADDLEBAG SUPPORTS FOR 2000 & LATER FXDX

### General

This kit is designed for installation on all 2000 and later FXDX vehicles and other Dyna model motorcycles with a 150 series tire.

#### NOTE

A Service Manual for your vehicle is available from your Harley-Davidson Dealer.

Kit Contents:

Item	Description	Part Number
1	Bolt, Hex Head, 3/8-16 x 2 (4)	2456
2	Acorn Nut (4)	7862

### Installation

#### NOTE

Perform the following procedure on one side of the motorcycle until instructed to go to the other side.

1. See Service Parts Illustration. Remove bolts, washers, and acorn nuts from location "A" and "B" on the fender support or turn signal. This will be the location for the saddlebag mounting points. Save the washer for use later.
2. Insert the 2 inch bolts, (1) from this kit, through the fender from the inside towards the outside, as shown.
3. Install the saddlebag supports onto the bolts. Place the washer removed in Step 1 and the acorn nut (2) on both of the bolts. Tighten nuts to 27 ft-lbs (37 N-m).
4. Repeat Steps 1 through 3 on the other side.



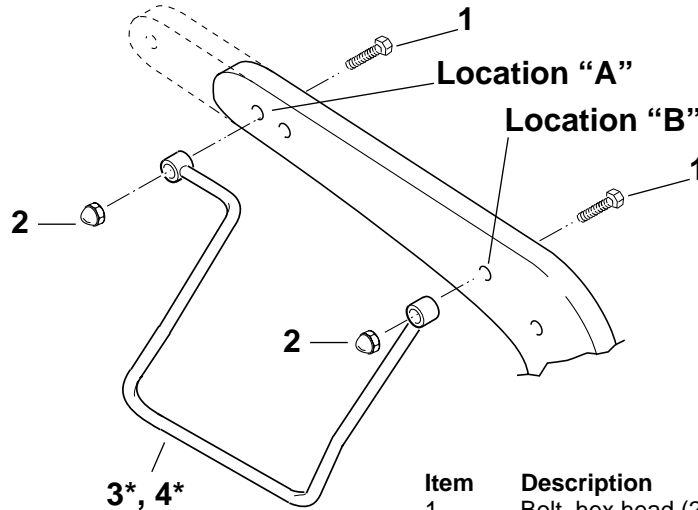
## Service Parts

Part No. 90272-00

Date 9/99

Dyna Saddlebag Supports

sp90589d



Item	Description	Part Number
1	Bolt, hex head (2)	2456
2	Acorn Nut (2)	7862
3	Support, saddlebag - right	56239-93
4	Support, saddlebag - left	58758-93

\*Items 3 and 4 are part of Kit 90589-91D. Kit 90589-91D must be purchased separately.