



# INSTRUCTIONS

-J00220

REV. 7-16-99

Kit Number 52225-89

## SOLO SEAT BRACKET/SPRING KIT

### General

This kit is designed for installation on all 1986 to 1994 Softail model vehicles. This Solo Seat Bracket/Spring Kit permits installation of either Deluxe Leather Solo Saddle 56006-47B or Leather Solo Saddle 52004-25.

#### NOTE

Installation of this kit requires that the production seat be removed. Two new mounting holes will also be required. All parts needed for the kit installation are included with the kit. Installation can be accomplished using common hand tools. For reference, the kit with saddle is shown installed in Figure 3.

This kit contains the following components:

QTY	DESCRIPTION
2	Bolt, hex head, 5/16-18 x 2 in.
1	Bolt, hex head, 5/16-18 x 2-1/2 in.
2	Bolt hex head, 5/16-24 x 3/4 in.
2	Bolt, hex head, 5/16-24 x 1-1/2 in.
1	Bolt, hex head, 3/8-16 x 7/8 in.
4	Bolt, hex head, 3/8-16 x 1 in.
1	Bracket, frame mounting
1	Bracket, seat mounting
1	Bracket, spring base
1	Cover, frame
2	Locknut, hex, 5/16-18 x 1/4 x 1/2 in.
1	Locknut, hex, 5/16-18 x 11/32 x 1/2 in.
3	Locknut, hex, 3/8-16 x 7/16 x 9/16 in.
2	Lockwasher, spring, 5/16 in.
2	Lockwasher, spring, 1/2 in.
2	Screw, hex socket head, 1/2-13 x 19/32 in.
2	Spacer, spring
2	Spring, seat
6	Washer, flat, 5/16 x 11/16 x 1/16 in.
4	Washer, flat, 5/16 x 7/8 x 5/64 in.
3	Washer, flat, 3/8 x 13/16 x 1/16 in.
2	Washer, flat, 3/8 x 1 x 5/64 in.
2	Washer, flat, 1/2 x 1-1/16 x 3/32 in.
2	Washer, flat 5/8 x 1-5/16 x 3/32 in.

#### WARNING

The rider's safety may depend on the correct installation of this kit. If the following installation procedure is not within your capabilities, or if you do not have the correct tools, have your Harley-Davidson dealer install the kit for you.

#### NOTE

When a solo seat is installed without a passenger seat, the passenger foot pegs or footboards, and the passenger grab strap must be removed.

#### WARNING

Use of a luggage rack or fender as an additional seat may result in death or serious injury.

### Removal of Production Saddle

1. Remove single Phillips head screw holding seat bracket to top of rear fender.
2. Lift up on rear of saddle and pull rearward to disengage tab at front of seat.
3. Reinstall Phillips head screw and washers into hole in fender.

### Installation

1. See Figure 2. Install frame cover using two 3/8 x 16 x 1 in. bolts furnished in kit (1986-89 models) or two 3/8 - 16 x 1 in. bolts that were used to attach passenger's hand strap (1990 models) and two 3/8 x 1 x 5/64 in. flat washers. Rearrange wiring as necessary to fit beneath the frame cover without pinching the wires.
2. Hold frame mounting bracket in place in notch in frame cover and center punch the bracket mounting holes for drilling on the bike frame. See Figure 1.
3. Place a piece of thin plate steel or piece of heavy sheet metal between the frame and engine valve cover to prevent the drill bit from marring the valve cover.

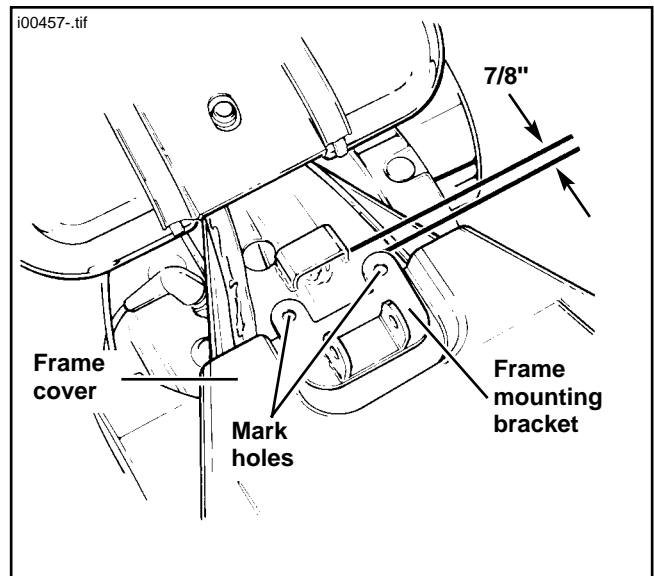
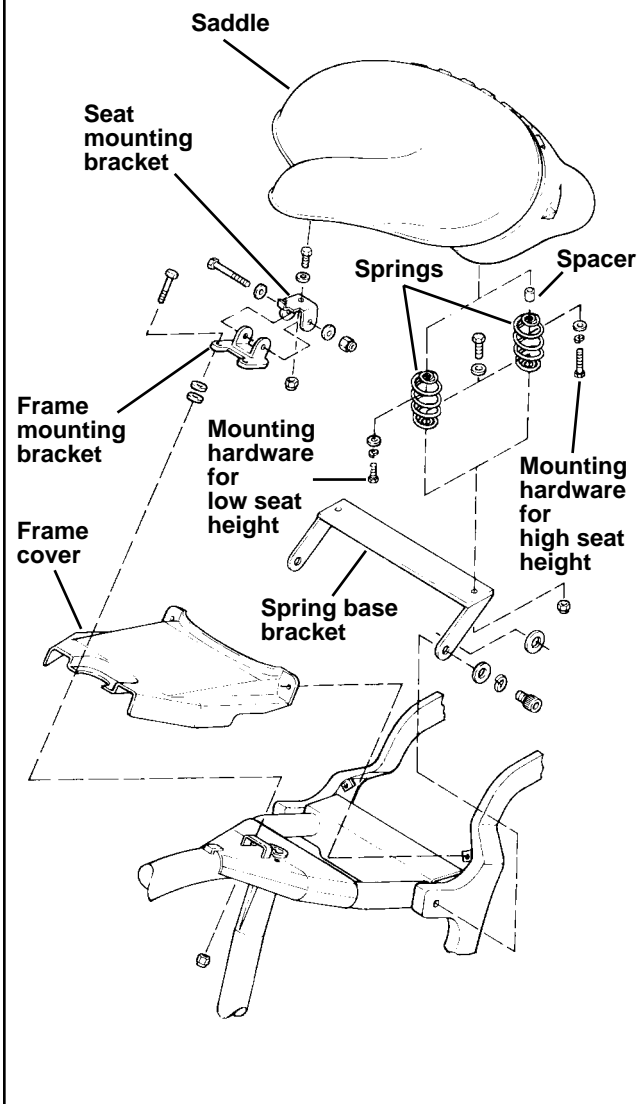


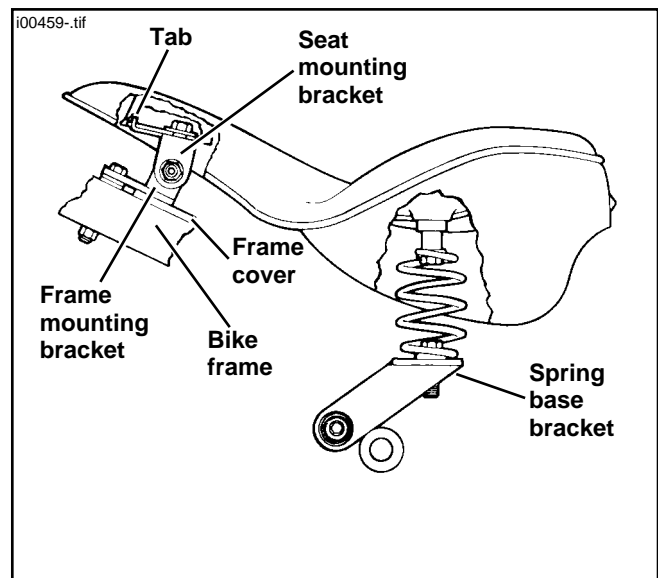
Figure 1. Marking Frame -- Bracket Mounting Holes



**Figure 2. Solo Seat Bracket/Spring Kit Components**

4. Using a 11/32 in. twist drill bit, carefully drill the two mounting holes for the frame mounting bracket. Be sure to follow the instructions in Step 3.
5. Remove front Phillips head screw holding rear fender bracket to frame, on each side. Insert 5/8 x 1-5/16 x 3/32 in. flat washer behind fender bracket on each side. Install original Phillips head screws and tighten. These flat washers help support the spring base bracket when it is installed.
6. Attach seat mounting bracket to underside of saddle using one 3/8-16 x 7/8 in. bolt, 3/8 x 13/16 x 1/16 in. flat washer and 3/8 in. locknut. Make sure that tab on bracket is towards front of saddle. See Figure 3.

7. Attach frame mount bracket to seat mounting bracket using one 5/16-18 x 2-1/2 in. bolt, two 5/16 x 11/16 x 1/16 in. flat washers and one 5/16-18 x 11/32 x 1/2 in. hex locknut. Apply a small amount of wheel bearing grease to bolt at bracket pivot points. Tighten fasteners only until bolt head (with washer) and nut make contact with seat mounting bracket. Do not tighten any further.
8. Attach frame mount bracket to motorcycle frame using two 5/16 x 18 x 2 in. bolts, four 5/8 x 11/16 x 1/16 in. washers and two 5/16-18 x 1/4 x 1/2 in. locknuts.
9. Attach spring to underside of saddle using either of the two hardware arrangements shown in Figure 2, depending on your own seat height preference. Using the 5/16-24 x 1-1/2 in. bolts with spacers will elevate the seat. If a lower seat height is preferred, use the 5/16-24 x 3/4 in. bolts and omit the spacers. Use with 5/16 in. lockwasher and 5/16 x 7/8 x 5/64 in. flat washer.
10. Attach bottom end of springs to spring base bracket using the 3/8 x 1 in. bolts, 3/8 x 13/16 x 1/16 in. flat washers and 3/8 in. locknuts.
11. Pivot saddle downward and align spring base bracket with its mounting holes in the motorcycle frame.
12. Install the spring base bracket using two 1/2-13 x 19/32 in. socket head screws, 1/2 in. flat washer and 1/2 in. lockwasher.



**Figure 3. Solo Seat Bracket/Spring Kit -- Installed**