

ABOUT THIS MANUAL

Wiring and Circuit Diagrams

The diagrams either show entire systems or specific circuits. The circuit specific diagrams only show the components and wiring in the system(s) listed in the diagram title. Always refer to the diagram title for diagram type.

Troubleshooting

Once a problem has been isolated to a specific system or circuit, the circuit specific diagrams will simplify locating the problem.

NOTE

Harness part numbers may be included on some wiring diagrams. Use these numbers for reference purposes only. ALWAYS REFER TO THE PARTS CATALOG WHEN ORDERING WIRE HARNESSSES.

2023 HARLEY-DAVIDSON® SERVICE MANUAL SUPPLEMENT: FLTRKSEANV MODEL (94001027)

Front Lighting and Hand Controls: 2023 FLTRKSE.....	1
Fairing Harness: 2023 FLTRKSE.....	2
Main Harness (1 of 4): 2023 FLTRKSE.....	3
Main Harness (2 of 4): 2023 FLTRKSE.....	4
Main Harness (3 of 4): 2023 FLTRKSE.....	5
Main Harness (4 of 4): 2023 FLTRKSE.....	6
Rear Audio System: 2023 FLTRKSE.....	7
Rear Lighting: 2023 FLTRKSE.....	8
Radio System: 2023 FLTRKSE.....	9

2023 HARLEY-DAVIDSON® SERVICE MANUAL SUPPLEMENT: POLICE MODELS (94001025)

Front Lighting and Hand Controls: 2023 Police.....	11
Fairing Harness: 2023 FLHTP.....	12
Main Harness (1 of 3): 2023 FLHTP.....	13
Main Harness (2 of 3): 2023 FLHTP.....	14
Main Harness (3 of 3): 2023 FLHTP.....	15
Main Harness (1 of 3): 2023 FLHP.....	16
Main Harness (2 of 3): 2023 FLHP.....	17
Main Harness (3 of 3): 2023 FLHP.....	18
Rear Lighting: 2023 Police.....	19

2023 HARLEY-DAVIDSON® SERVICE MANUAL SUPPLEMENT: TRIKE MODELS (94001026)

Front Lighting and Hand Controls FLHTCUTG: 2023 Trike Model.....	21
Front Lighting and Hand Controls FLRT: 2023 Trike Model.....	22
Fairing Harness FLHTCUTG: 2023 Trike Model.....	23
Main Harness FLHTCUTG (1 of 4): 2023 Trike Model.....	24
Main Harness FLHTCUTG (2 of 4): 2023 Trike Model.....	25
Main Harness FLHTCUTG (3 of 4): 2023 Trike Model.....	26
Main Harness FLHTCUTG (4 of 4): 2023 Trike Model.....	27
Fairing Harness FLTRT: 2023 Trike Model.....	28
Main Harness FLTRT (1 of 4): 2023 Trike Model.....	29
Main Harness FLTRT (2 of 4): 2023 Trike Model.....	30
Main Harness FLTRT (3 of 4): 2023 Trike Model.....	31
Main Harness FLTRT (4 of 4): 2023 Trike Model.....	32
Main Harness FLRT (1 of 4): 2023 Trike Model.....	33
Main Harness FLRT (2 of 4): 2023 Trike Model.....	34
Main Harness FLRT (3 of 4): 2023 Trike Model.....	35

Main Harness FLRT (4 of 4): 2023 Trike Model.....	36
Rear Lighting FLHTCUTG: 2023 Trike Model.....	37
Rear Lighting FLRT: 2023 Trike Model.....	38
Radio FLHTCUTG: 2023 Trike Model.....	39
Reverse FLHTCUTG/FLHTCUTGSE: 2023 Trike Model.....	40
Reverse FLRT: 2023 Trike Model.....	41

2023 HARLEY-DAVIDSON® SERVICE MANUAL: FLHXSE AND FLTRXSE (94001057)

Power Distribution: 2023 FLHXSE, FLTRXSE.....	43
Sensor Grounds: 2023 FLHXSE, FLTRXSE.....	44
Ground Circuit: 2023 FLHXSE, FLTRXSE.....	45
Front Lighting and Hand Controls: 2023 FLHXSE, FLTRXSE.....	46
Fairing Harness: 2023 FLTRXSE.....	47
Fairing Harness: 2023 FLHXSE.....	48
Main Harness (1 of 4): 2023 FLTRXSE.....	49
Main Harness (2 of 4): 2023 FLTRXSE.....	50
Main Harness (3 of 4): 2023 FLTRXSE.....	51
Main Harness (4 of 4): 2023 FLTRXSE.....	52
Main Harness (1 of 4): 2023 FLHXSE.....	53
Main Harness (2 of 4): 2023 FLHXSE.....	54
Main Harness (3 of 4): 2023 FLHXSE.....	55
Main Harness (4 of 4): 2023 FLHXSE.....	56
Rear Lighting and Audio: 2023 FLHXSE, FLTRXSE.....	57

2023 HARLEY-DAVIDSON® SERVICE MANUAL: PAN AMERICA MODELS (94001028)

Power Distribution: 2023 Pan America.....	59
Sensor Grounds: 2023 Pan America.....	60
Ground Circuit: 2023 Pan America.....	61
Front Lighting and Hand Controls: 2023 Pan America.....	62
Main Harness 1 of 2: 2023 Pan America.....	63
Main Harness 2 of 2: 2023 Pan America.....	64
Engine Harness 1 of 2: 2023 Pan America.....	65
Engine Harness 2 of 2: 2023 Pan America.....	66
Rear Lighting: 2023 Pan America.....	67

2023 HARLEY-DAVIDSON® SERVICE MANUAL: SOFTAIL® MODELS (94001023)

Power Distribution (Except FXLRST, FXRST): 2023 Softail.....	69
Power Distribution (FXLRST): 2023 Softail.....	70
Power Distribution (FXRST): 2023 Softail.....	71
Sensor Grounds: 2023 Softail.....	72
Ground Circuit (Except FXLRST, FXRST): 2023 Softail.....	73
Ground Circuit (FXLRST): 2023 Softail.....	74
Ground Circuit (FXRST): 2023 Softail.....	75
Front Lighting and Hand Controls: 2023 Softail.....	76
Fairing Harness (FXLRST): 2023 Softail.....	77
Fairing Harness (FXRST): 2023 Softail.....	78
Backbone Harness (Except FXLRST, FXRST) 1 of 3: 2023 Softail.....	79
Backbone Harness (FXLRST, FXRST) 1 of 3: 2023 Softail.....	80
Engine Harness 2 of 3: 2023 Softail.....	81
Main Harness (except FXRST) 3 of 3: 2023 Softail.....	82
Main Harness (FXRST) 3 of 3: 2023 Softail.....	83
Rear Lighting: 2022 Softail.....	84

2023 HARLEY-DAVIDSON® SERVICE MANUAL: SPORTSTER® RH1250S MODEL (94001029)

Power Distribution: 2023 Models (All Except RH975 Models).....	85
Sensor Grounds: 2023 Models (All Except RH975 Models).....	86
Ground Circuit: 2023 Models (All Except RH975 Models).....	87
Front Lighting and Hand Controls: 2023 Models (All Except RH975 Models).....	88
Main Harness 1 of 2: 2023 Models (All Except RH975 Models).....	89
Main Harness 2 of 2: 2023 Models (All Except RH975 Models).....	90
Engine Harness 1 of 2: 2023 Models (All Except RH975 Models).....	91
Engine Harness 2 of 2: 2023 Models (All Except RH975 Models).....	92
Rear Lighting: 2023 Models (All Except RH975 Models).....	93

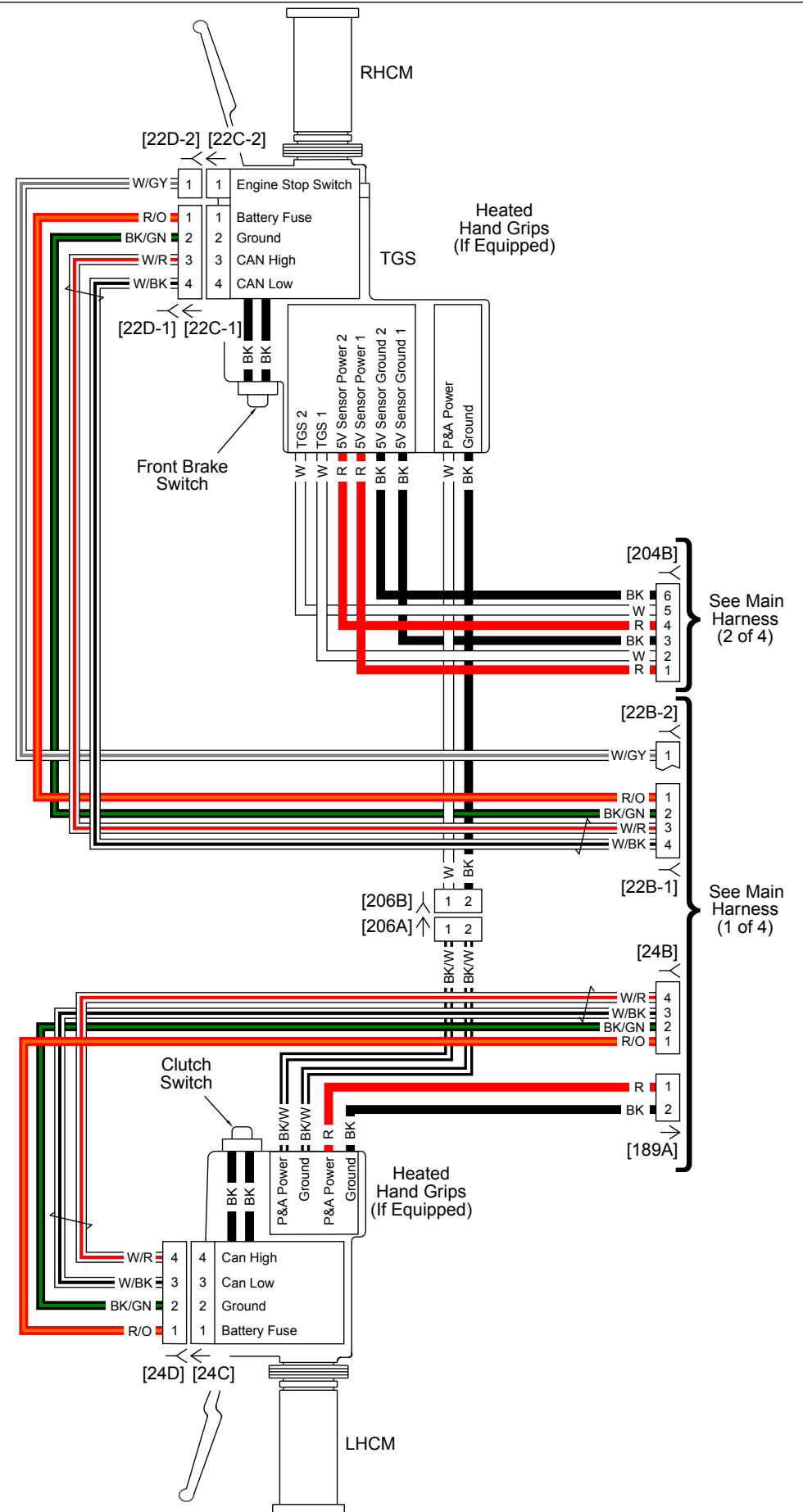
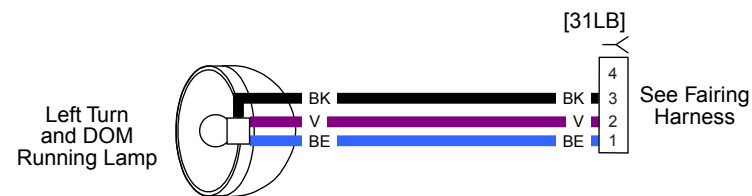
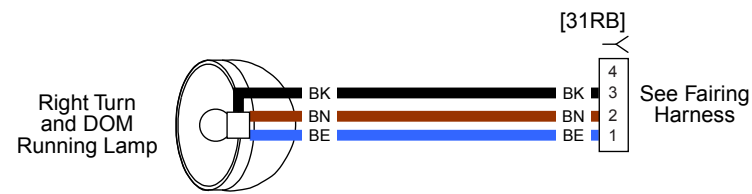
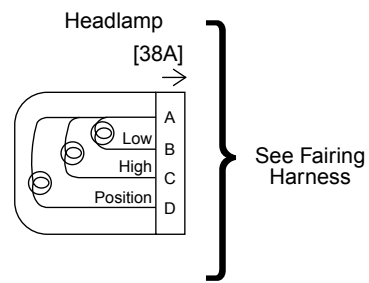
2023 HARLEY-DAVIDSON® SERVICE MANUAL: SPORTSTER® RH975 MODELS (94001030)

Power Distribution: 2023 RH975 Models.....	95
Sensor Grounds: 2023 RH975 Models.....	96
Ground Circuit: 2023 RH975 Models.....	97
Front Lighting and Hand Controls: 2023 RH975 Models.....	98
Main Harness 1 of 2: 2023 RH975 Models.....	99
Main Harness 2 of 2: 2023 RH975 Models.....	100
Engine Harness 1 of 2: 2023 RH975 Models.....	101
Engine Harness 2 of 2: 2023 RH975 Models.....	102
Rear Lighting: 2023 RH975 Models.....	103

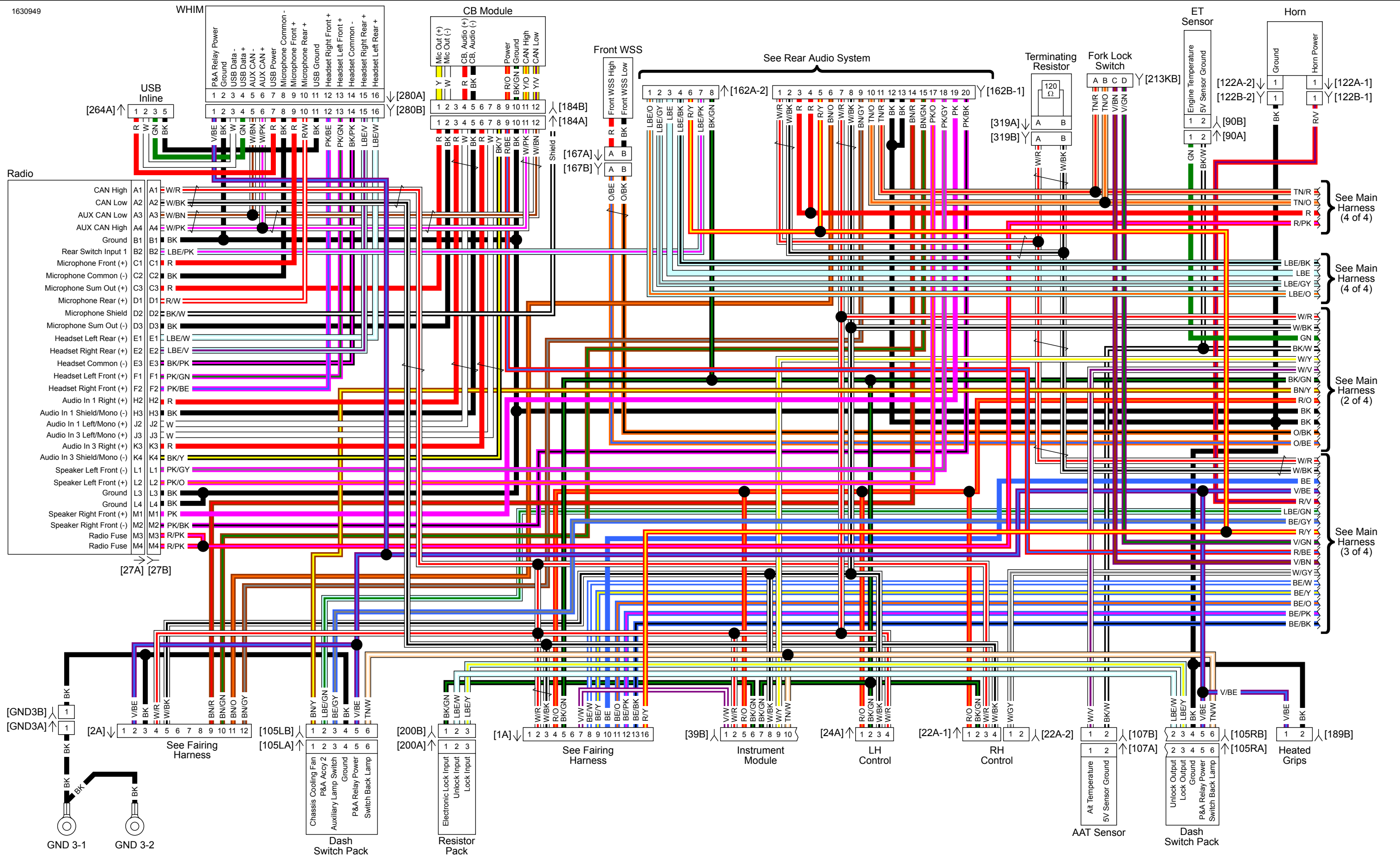
2023 HARLEY-DAVIDSON® SERVICE MANUAL: TOURING MODELS (94001075)

Battery Power Distribution: FLH with Fairing.....	105
Battery Power Distribution: FLT.....	106
Battery Power Distribution without Fairing.....	107
Ignition and ACC FLH: 2023 Touring.....	108
Ignition and ACC FLT: 2023 Touring.....	109
Sensor Grounds FLH: 2023 Touring.....	110
Sensor Grounds FLT: 2023 Touring.....	111
Ground Circuit FLH: 2023 Touring.....	112
Ground Circuit FLT: 2022 Touring.....	113
Front Lighting and Hand Controls: 2023 Touring.....	114
Fairing Harness FLH: 2023 Touring.....	115
Main Harness FLH (1 of 3): 2023 Touring (with Fairing).....	116
Main Harness FLH (2 of 3): 2023 Touring (with Fairing).....	117
Main Harness FLH (3 of 3): 2023 Touring (with Fairing).....	118
Main Harness FLHX (1 of 3): 2023 Touring Non-ABS (with Fairing).....	119
Main Harness FLHX (2 of 3): 2023 Touring Non-ABS (with Fairing).....	120
Main Harness FLHX (2 of 3): 2023 Touring Non-ABS (with Fairing).....	121
Fairing Harness FLT: 2023 Touring.....	122
Main Harness FLT (1 of 3): 2023 Touring (with Fairing).....	123
Main Harness FLT (2 of 3): 2023 Touring (with Fairing).....	124
Main Harness FLT (3 of 3): 2023 Touring (with Fairing).....	125
Main Harness FLTR (1 of 3): 2023 Touring Non-ABS (with Fairing).....	126
Main Harness FLTR (2 of 3): 2023 Touring Non-ABS (with Fairing).....	127
Main Harness FLTR (3 of 3): 2023 Touring Non-ABS (with Fairing).....	128
Main Harness (1 of 3): 2023 Touring (without Fairing).....	129
Main Harness (2 of 3): 2023 Touring (without Fairing).....	130
Main Harness (3 of 3): 2023 Touring (without Fairing).....	131
Main Harness FLHR (1 of 3): 2023 Touring Non-ABS (without Fairing).....	132
Main Harness FLHR (2 of 3): 2023 Touring Non-ABS (without Fairing).....	133
Main Harness FLHR (3 of 3): 2023 Touring Non-ABS (without Fairing).....	134
Rear Lighting: 2023 Touring.....	135
OE Radio: 2023 Touring (Except FLHX/S, FLT).....	136
OE Radio: 2023 Touring (No Tour-Pak).....	137
BOOM!: Radio with 1 Amp: 2023 Touring.....	138
BOOM!: Radio with 2 Amps (1 of 2): 2023 Touring.....	139
BOOM!: Radio with 2 Amps (2 of 2): 2023 Touring.....	140
BOOM!: Radio with 4 Amps (1 of 4), Front Amp: 2023 Touring.....	141
BOOM!: Radio with 4 Amps (2 of 4), Left Saddlebag Amp: 2023 Touring.....	142
BOOM!: Radio with 4 Amps (3 of 4), Right Saddlebag Amp: 2023 Touring.....	143
BOOM!: Radio with 4 Amps (4 of 4), Tour-Pak Amp: 2023 Touring.....	144
Rockford Fosgate: Primary Amplifier with 2 Speakers: 2023 Touring.....	145

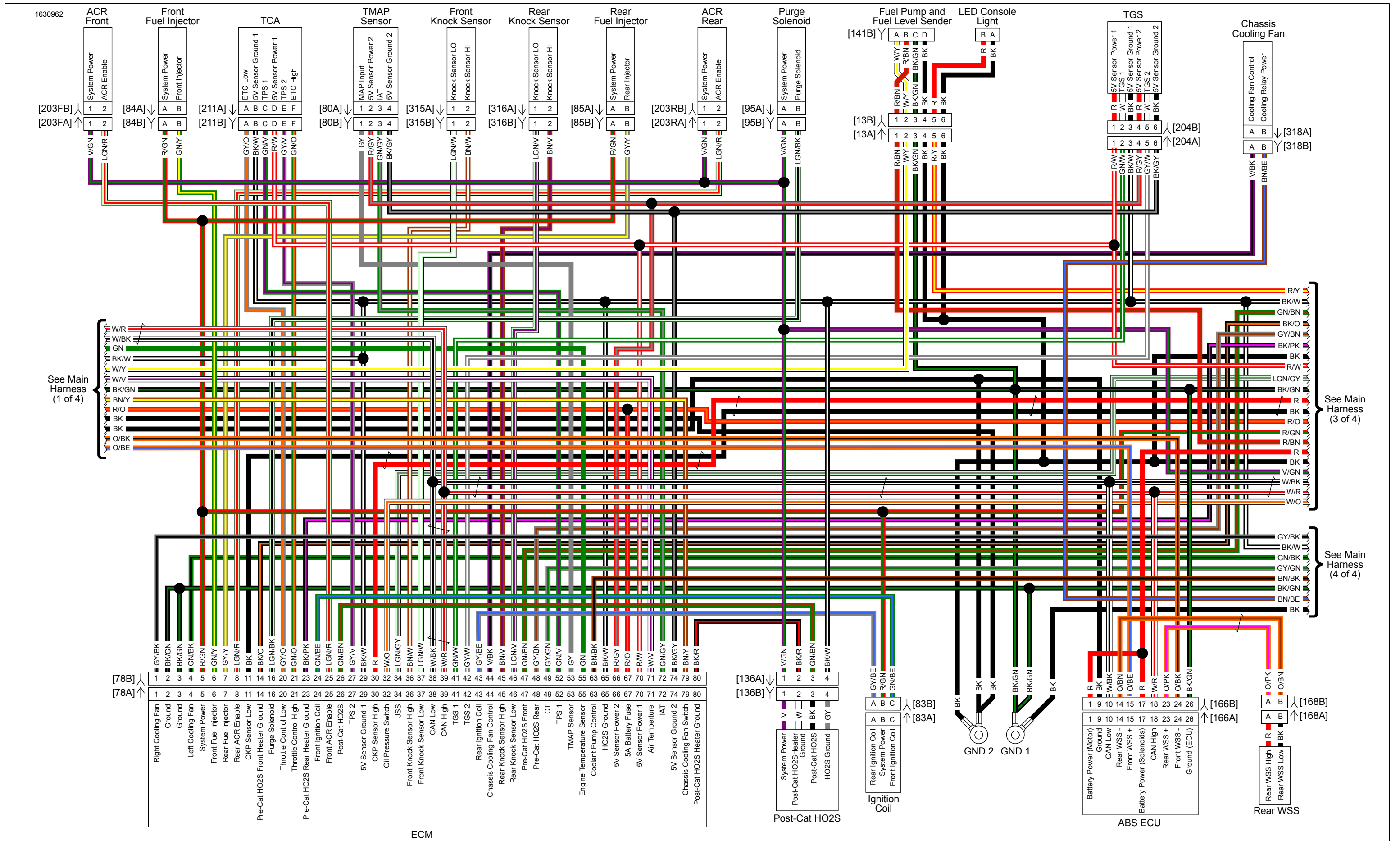
Rockford Fosgate: 4 Speakers – Saddlebags or 6 Speakers - Secondary Amplifier, Saddlebags & Tour-Pak: 2023 Touring.....	146
Rockford Fosgate: 6 Speakers - Fairings & Saddlebags or 6 Speakers Tour-Pak & Lower Fairings: 2023 Touring.....	147
Rockford Fosgate: 8 Speakers - Saddlebags, Lower Fairings & Tour-Pak: 2023 Touring.....	148



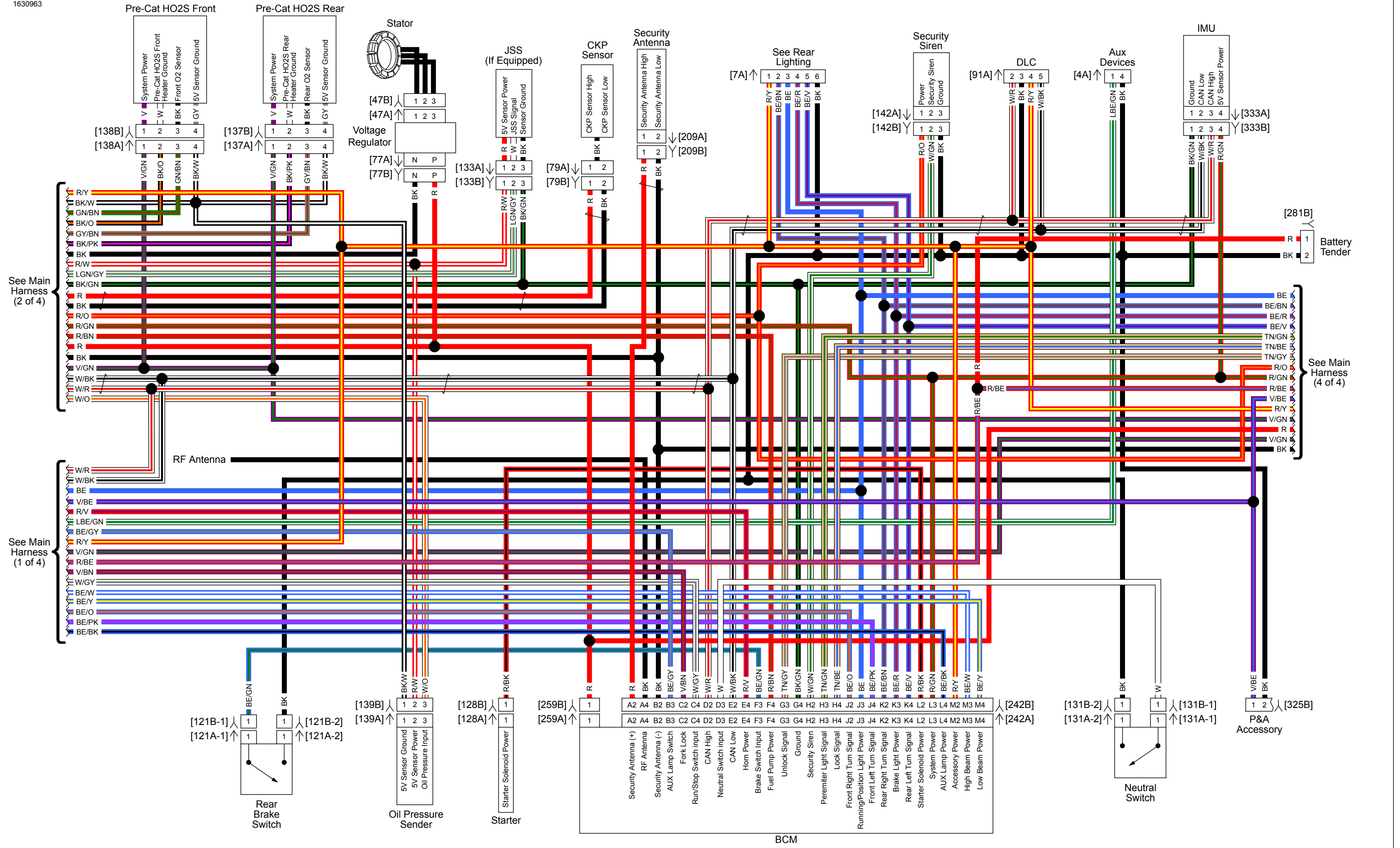
Front Lighting and Hand Controls: 2023 FLTRKSE



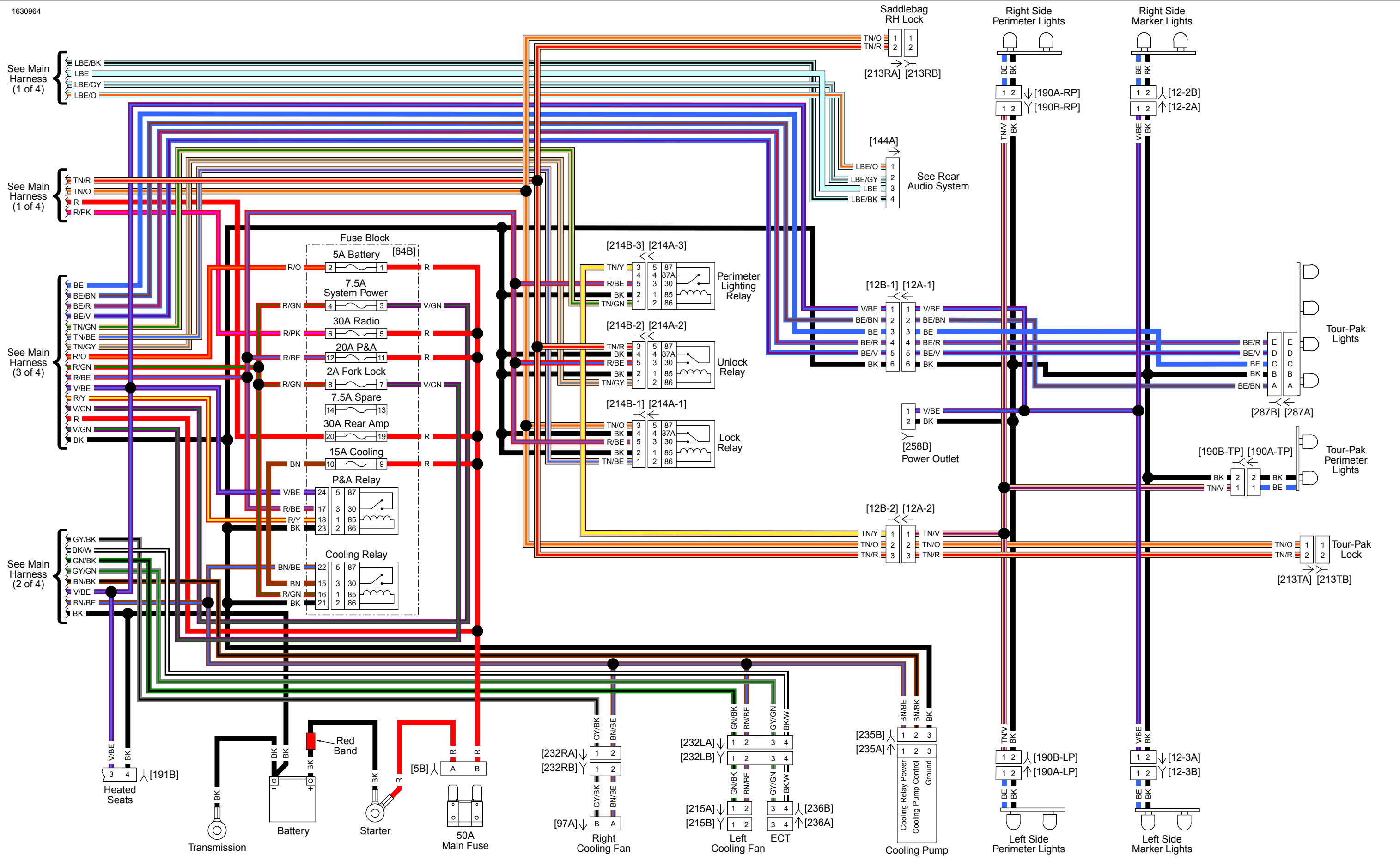
Main Harness (1 of 4): 2023 FLTRKSE



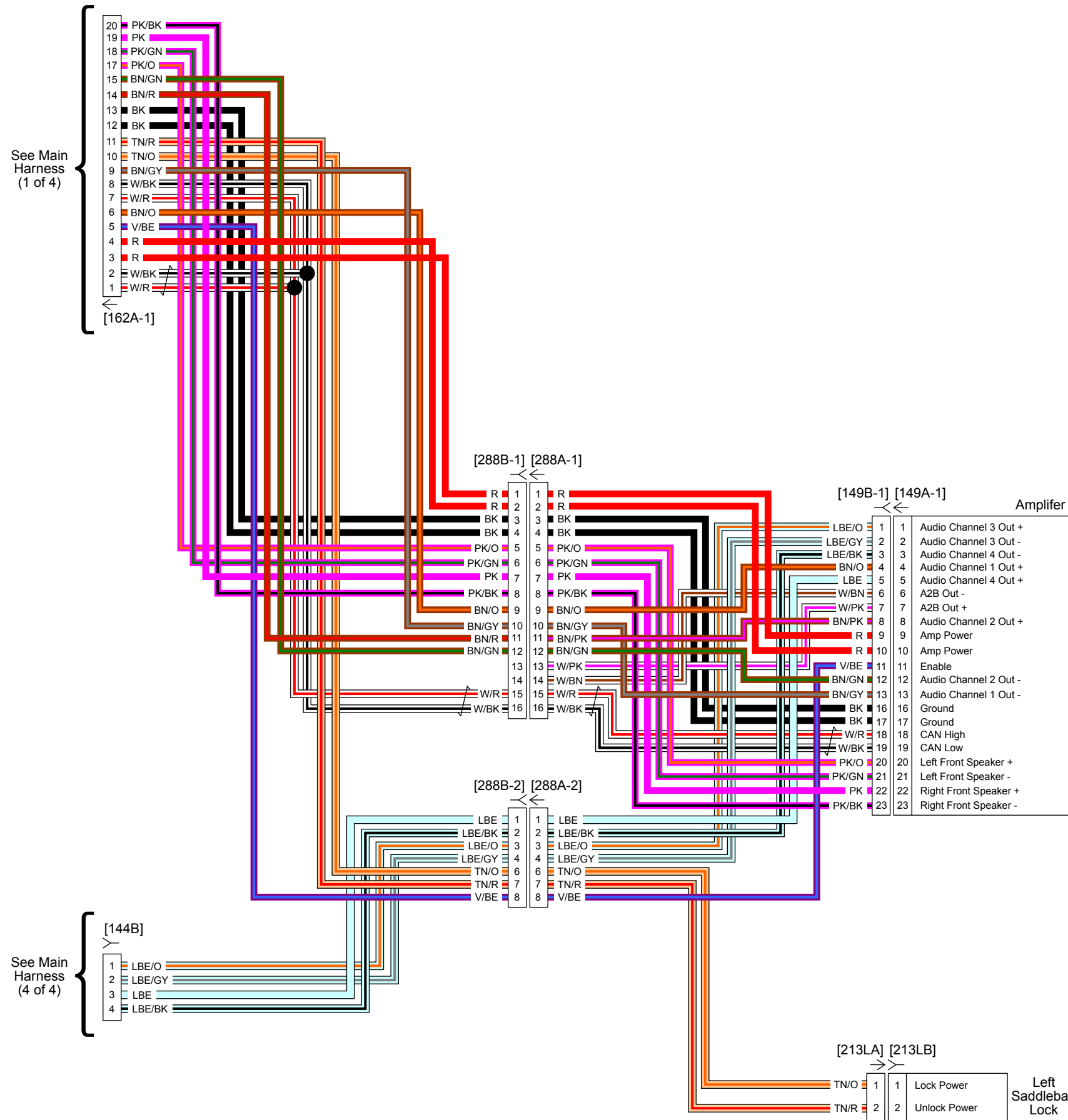
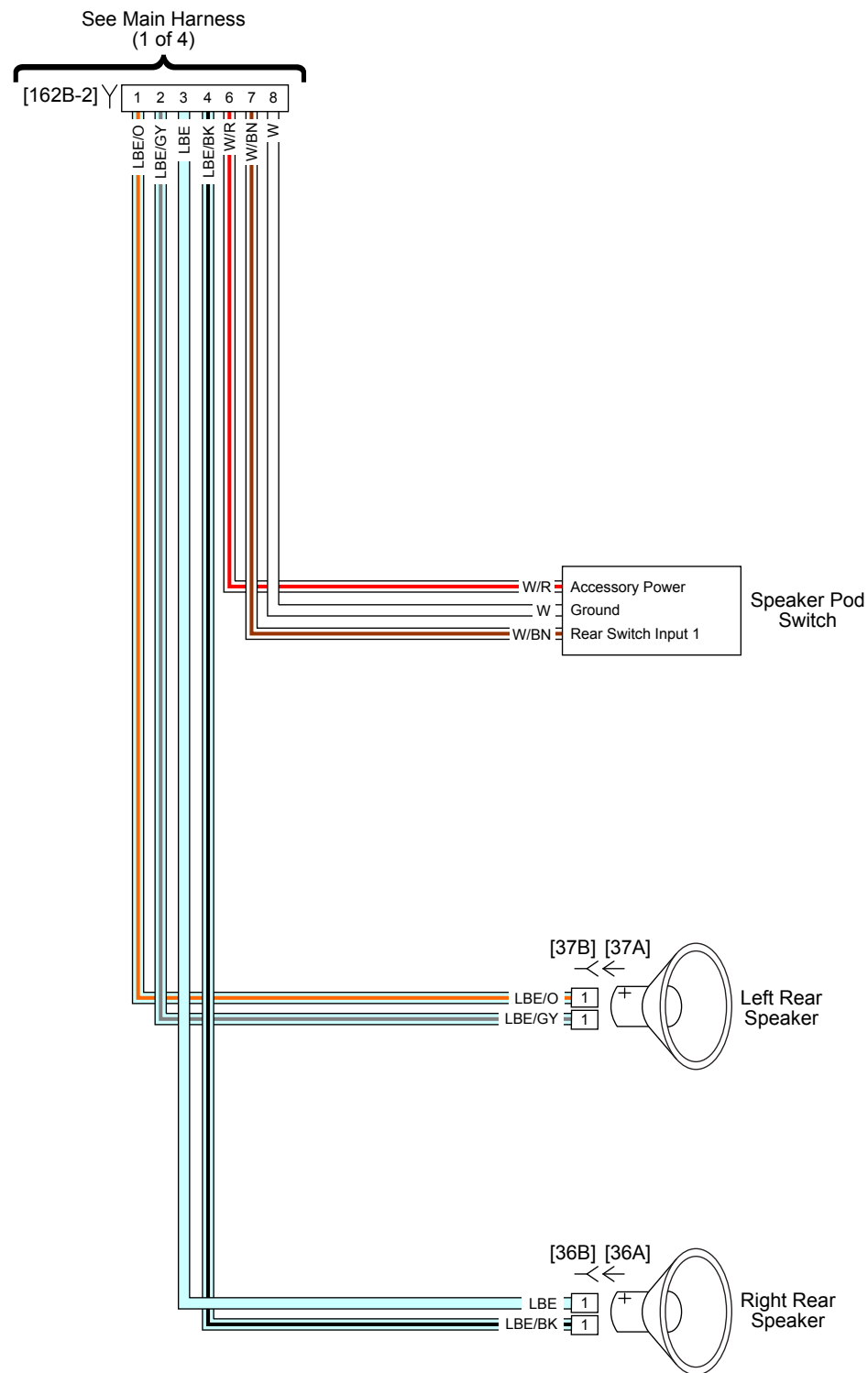
Main Harness (2 of 4): 2023 FLTRKSE



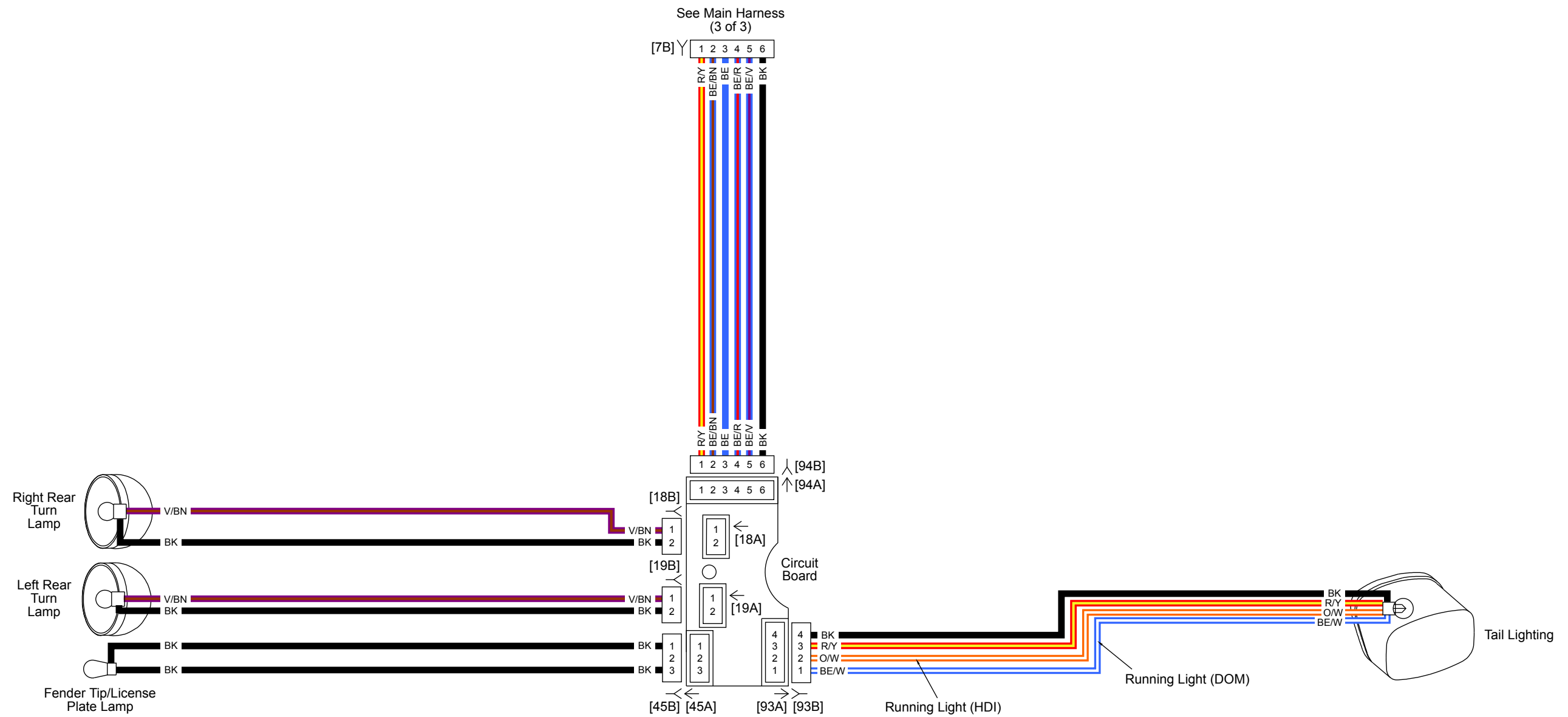
Main Harness (3 of 4): 2023 FLTRKSE



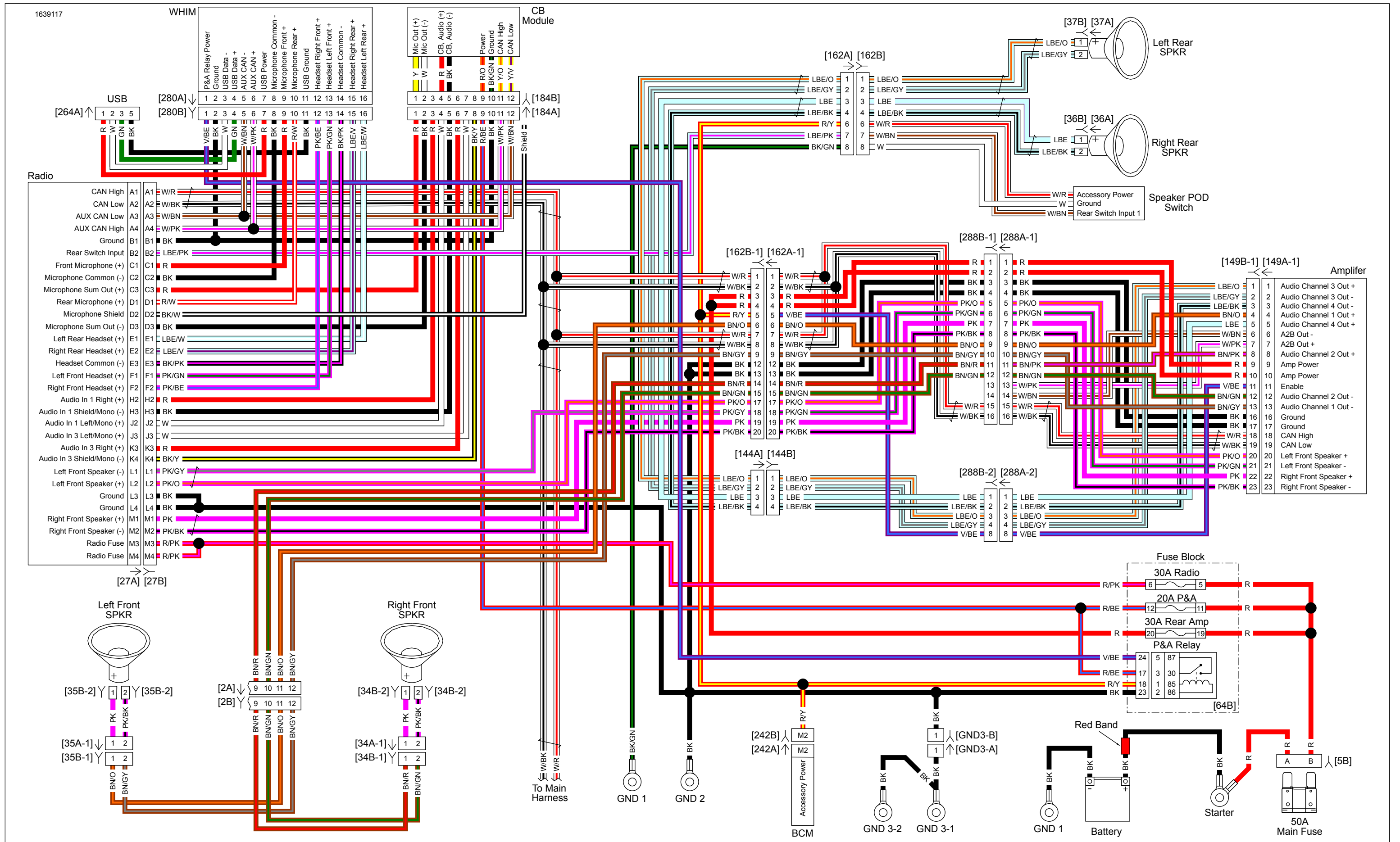
Main Harness (4 of 4): 2023 FLTRKSE



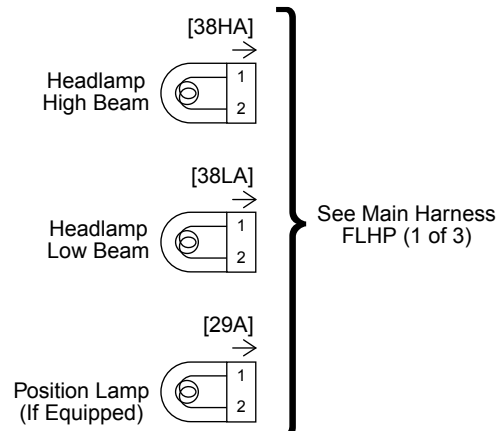
Rear Audio System: 2023 FLTRKSE



Rear Lighting: 2023 FLTRKSE

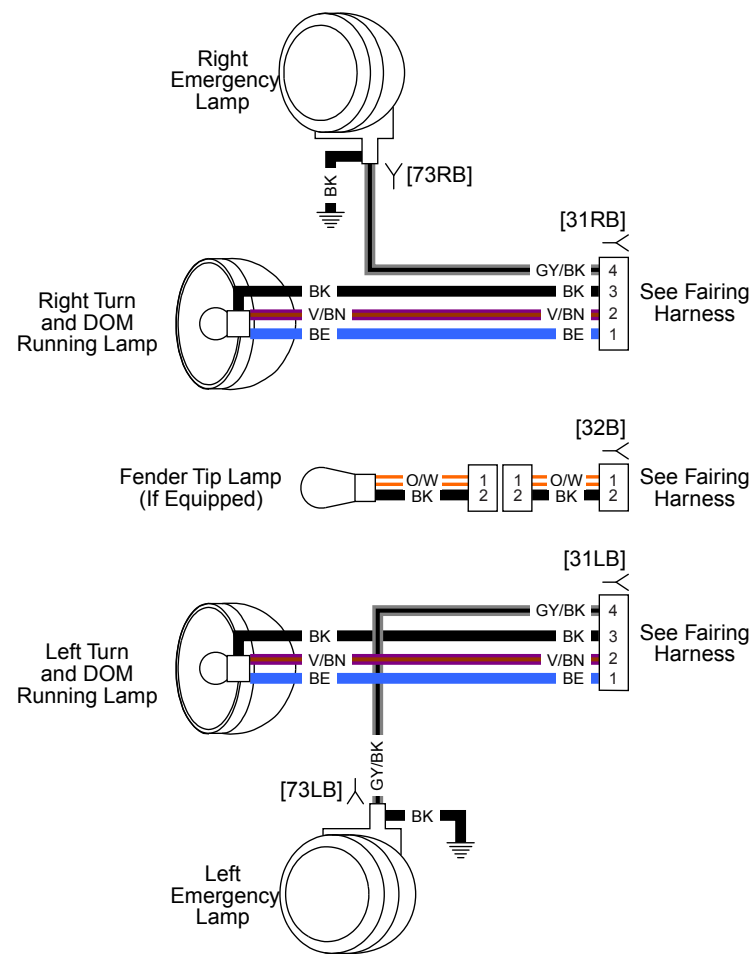
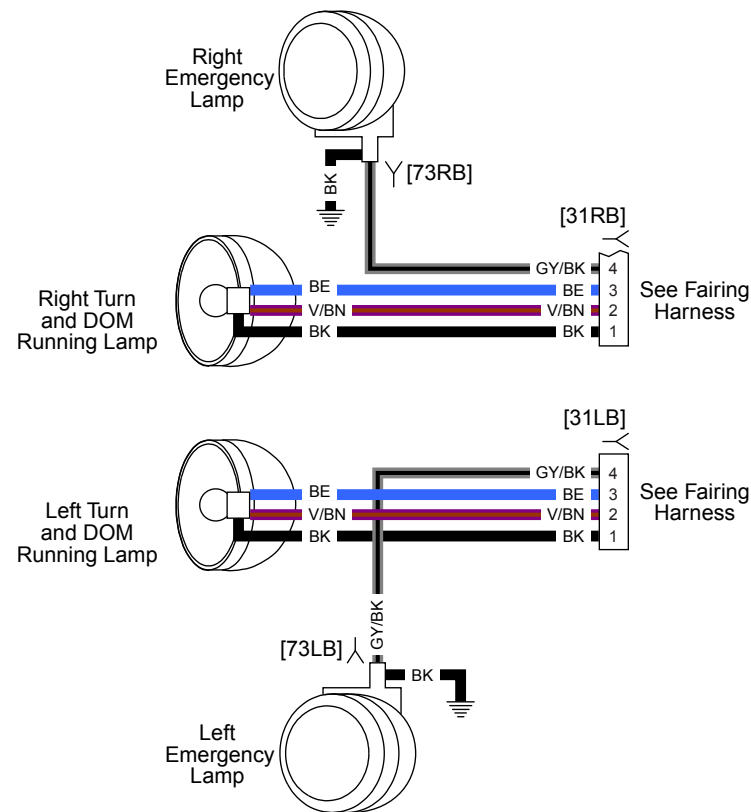
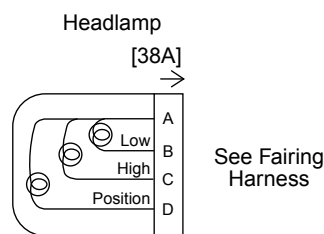


Radio System: 2023 FLTRKSE

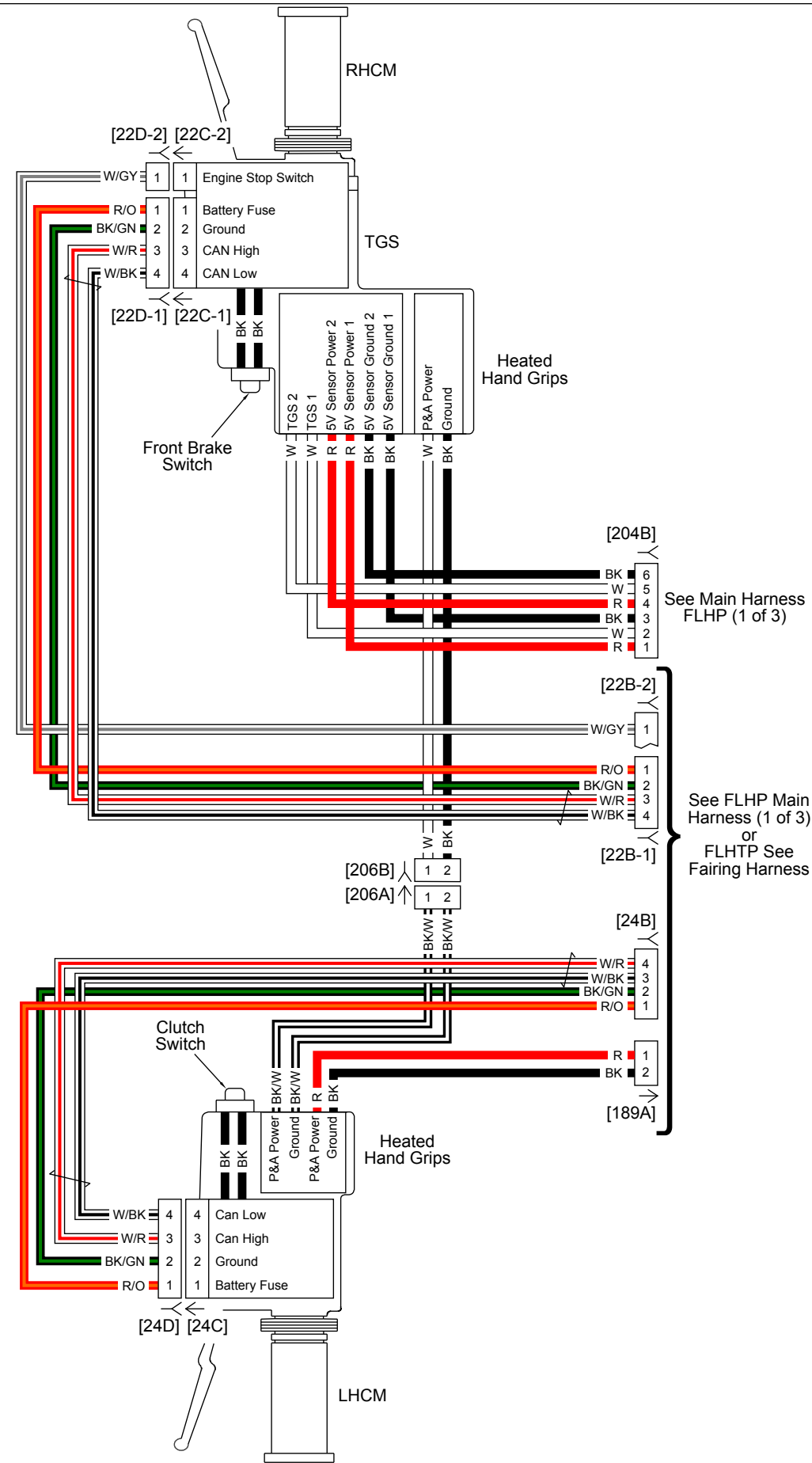


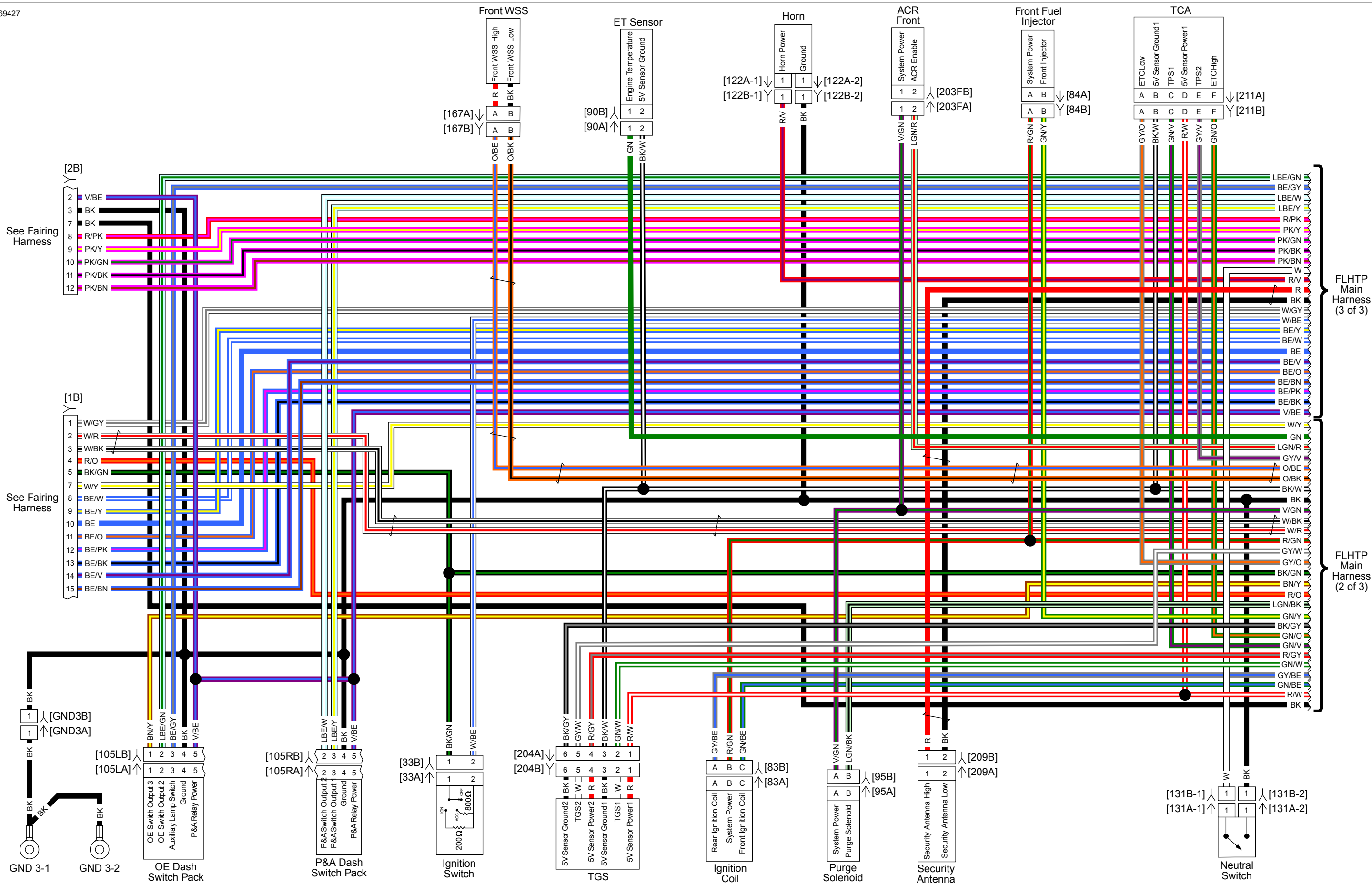
Non-Fairing Model

Fairing Model

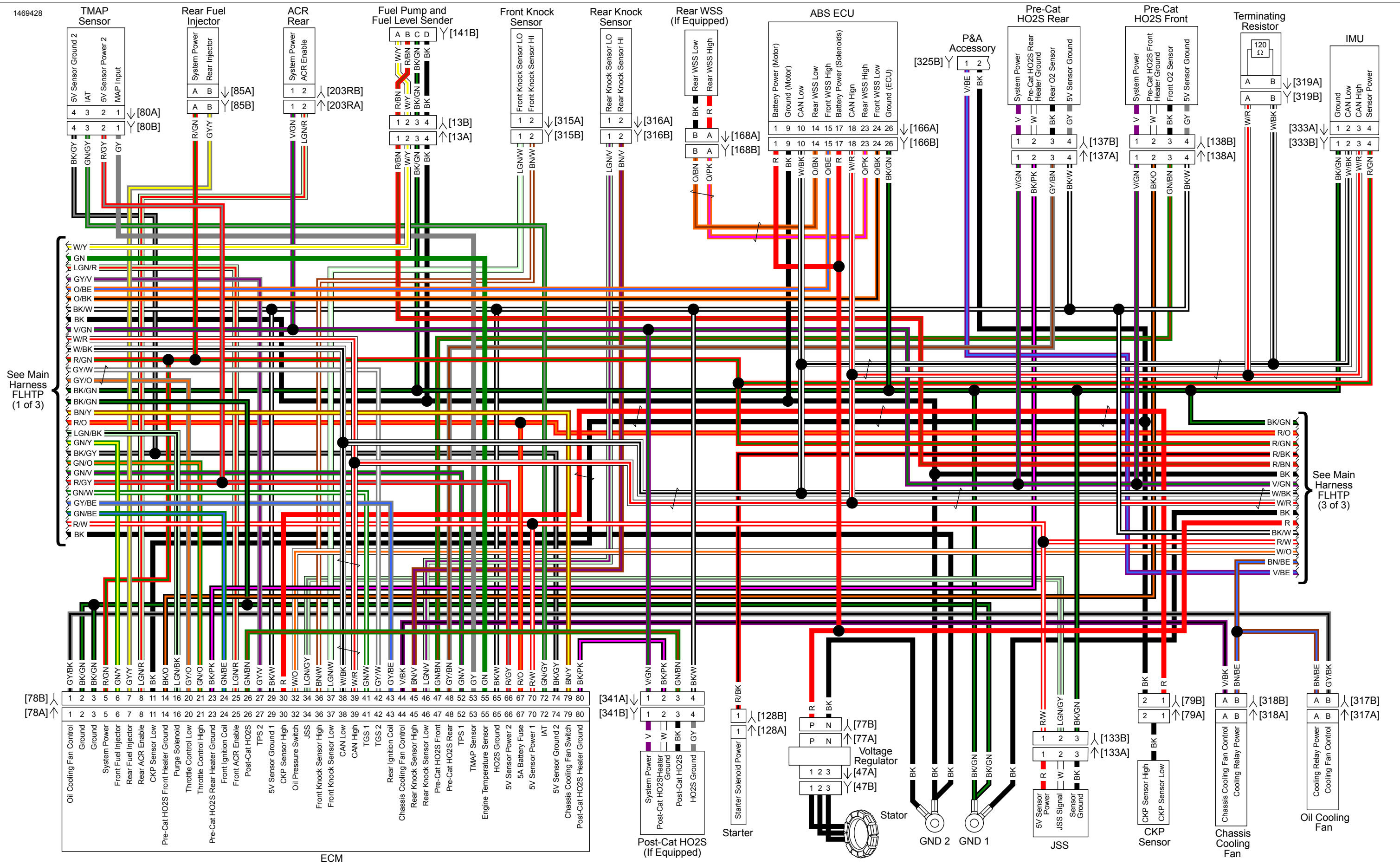


Front Lighting and Hand Controls: 2023 Police

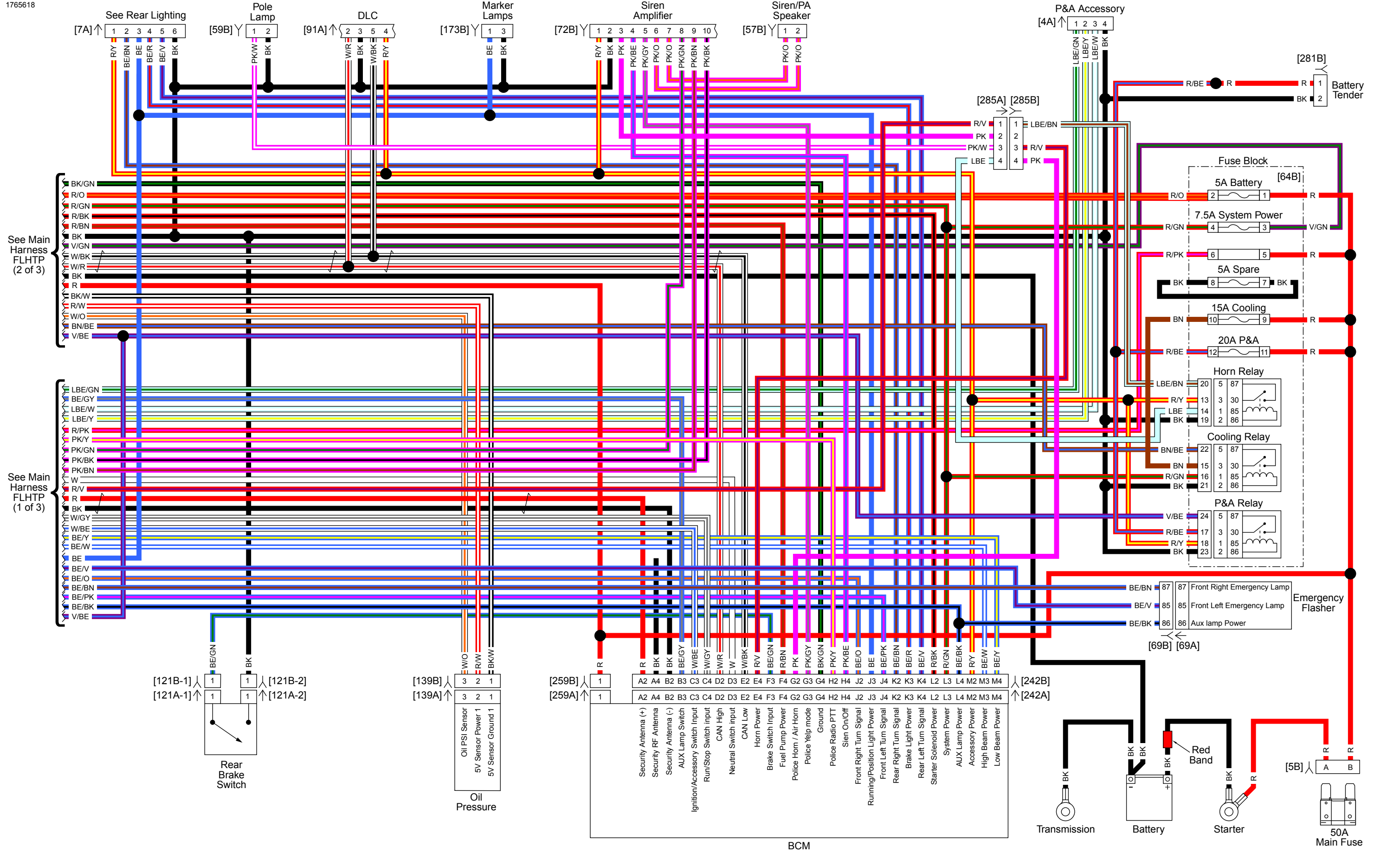




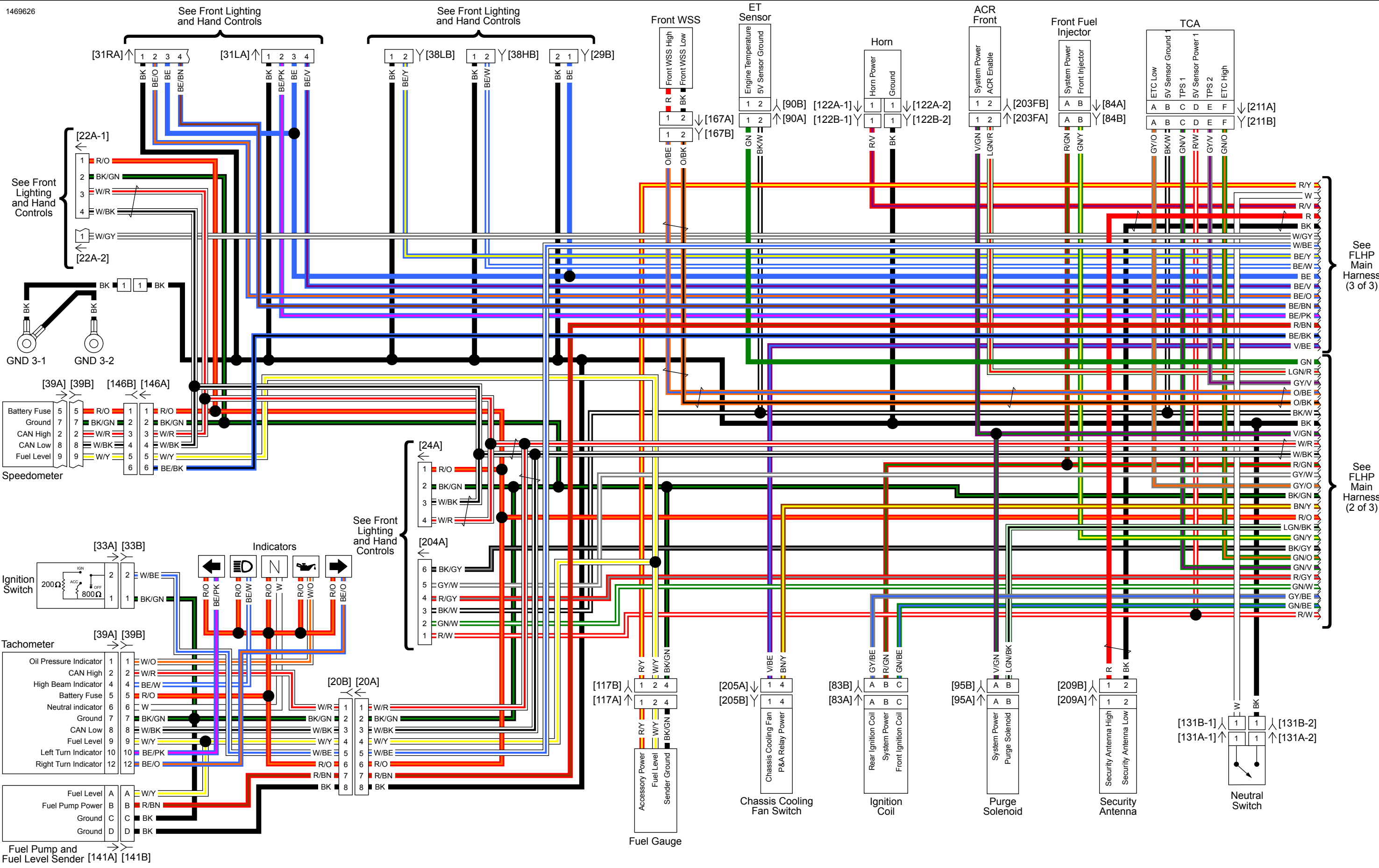
Main Harness (1 of 3): 2023 FLHTP



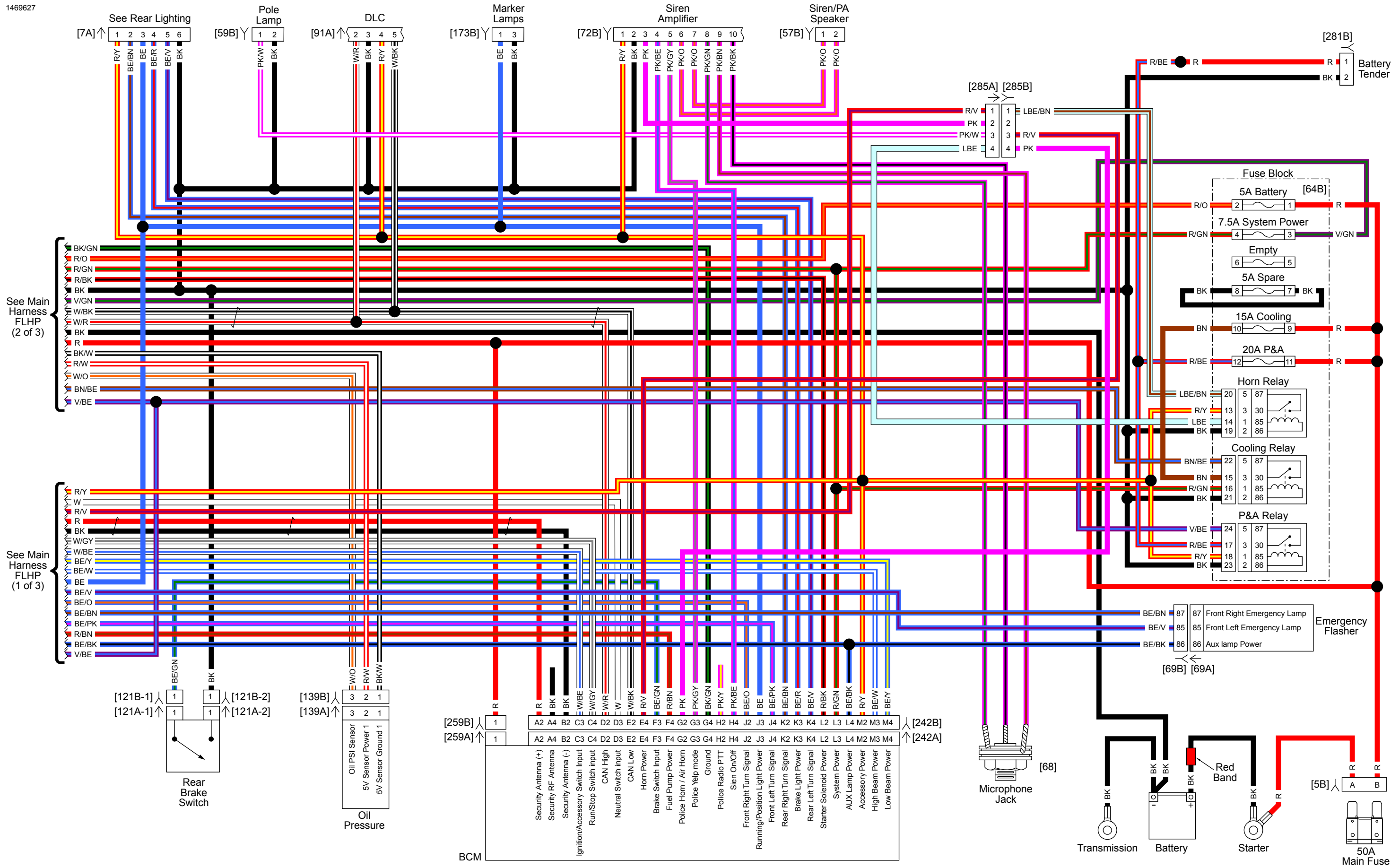
Main Harness (2 of 3): 2023 FLHTP



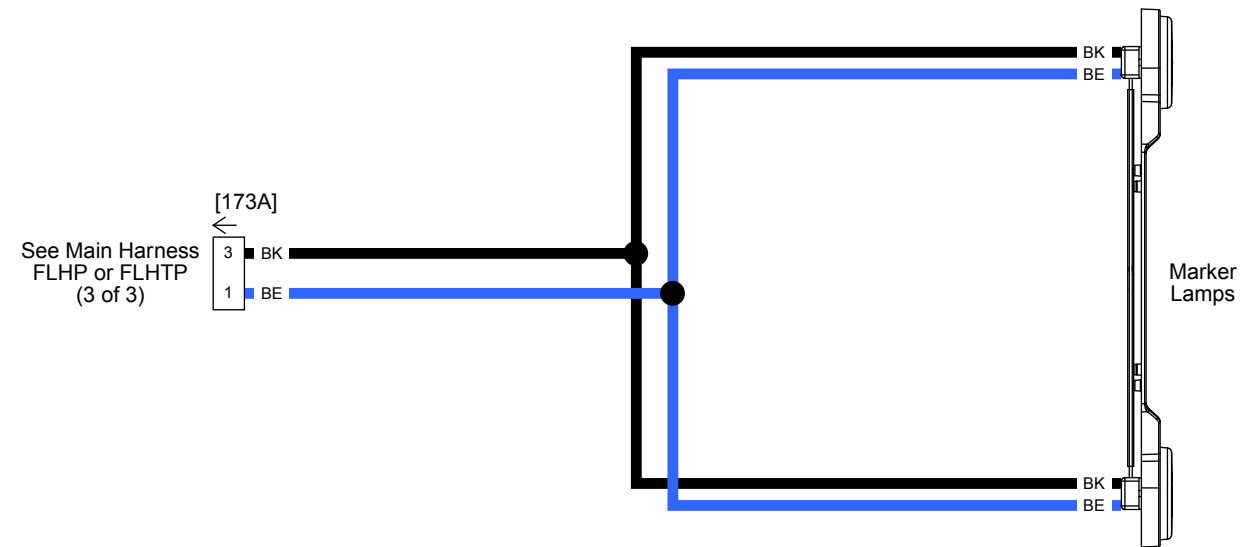
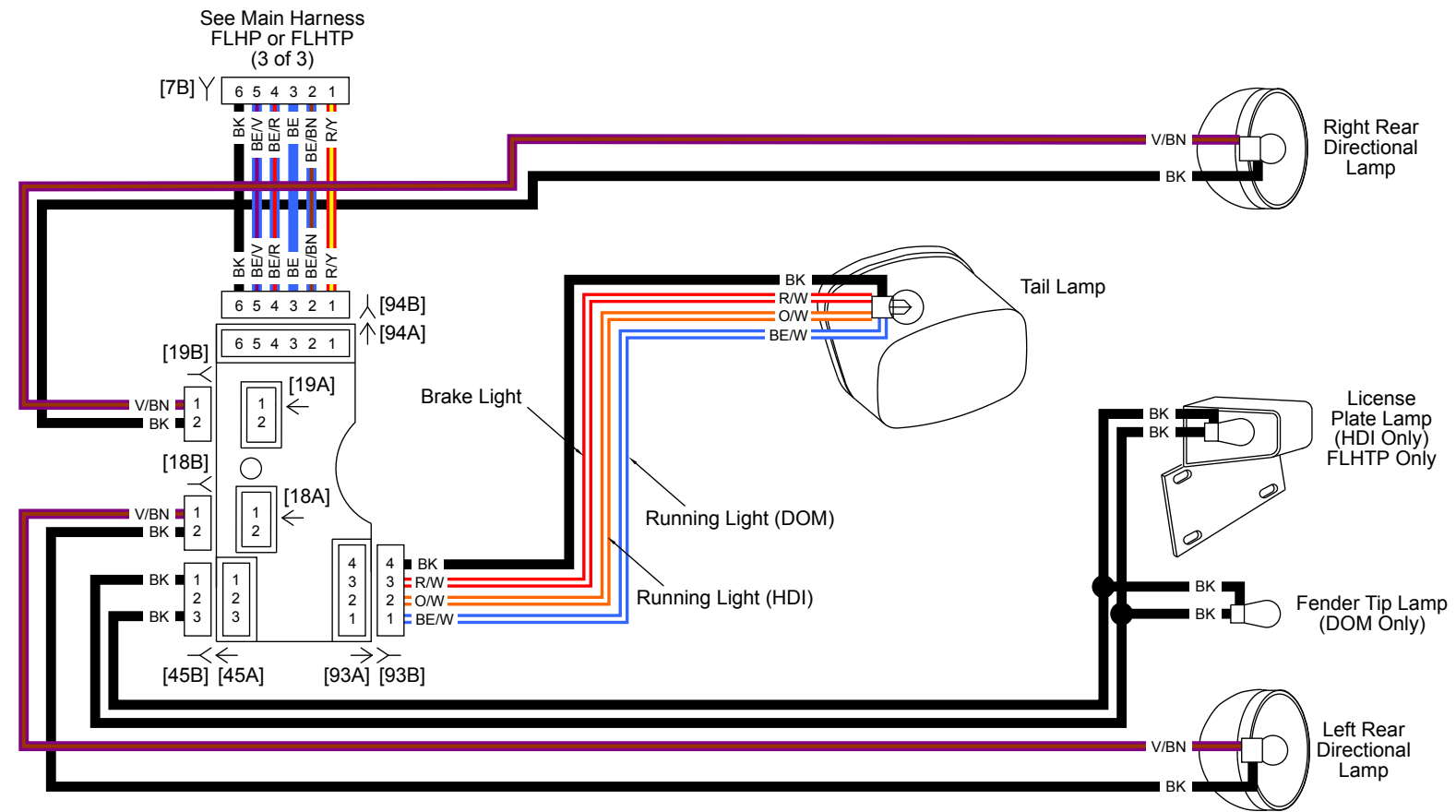
Main Harness (3 of 3): 2023 FLHTP



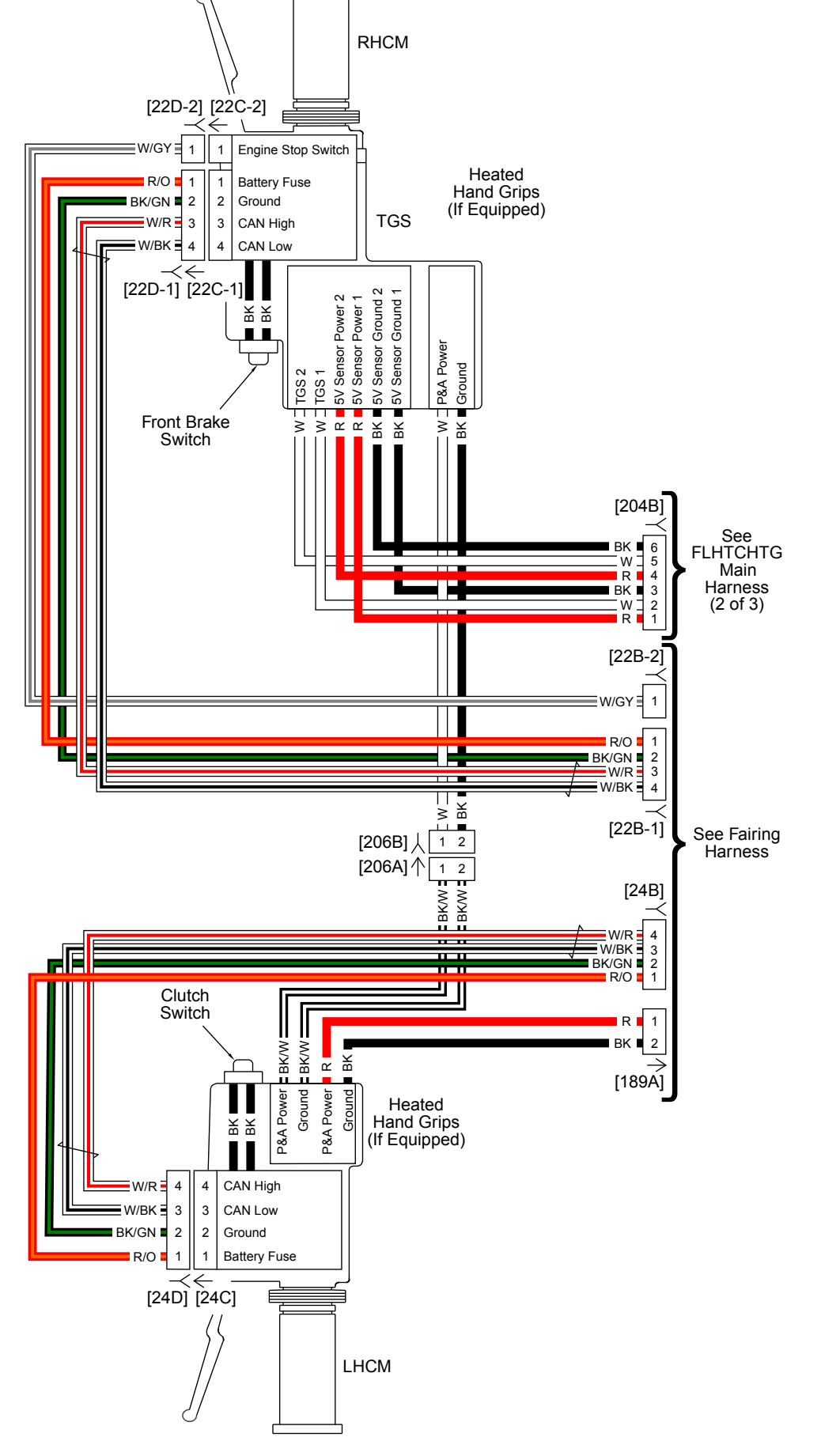
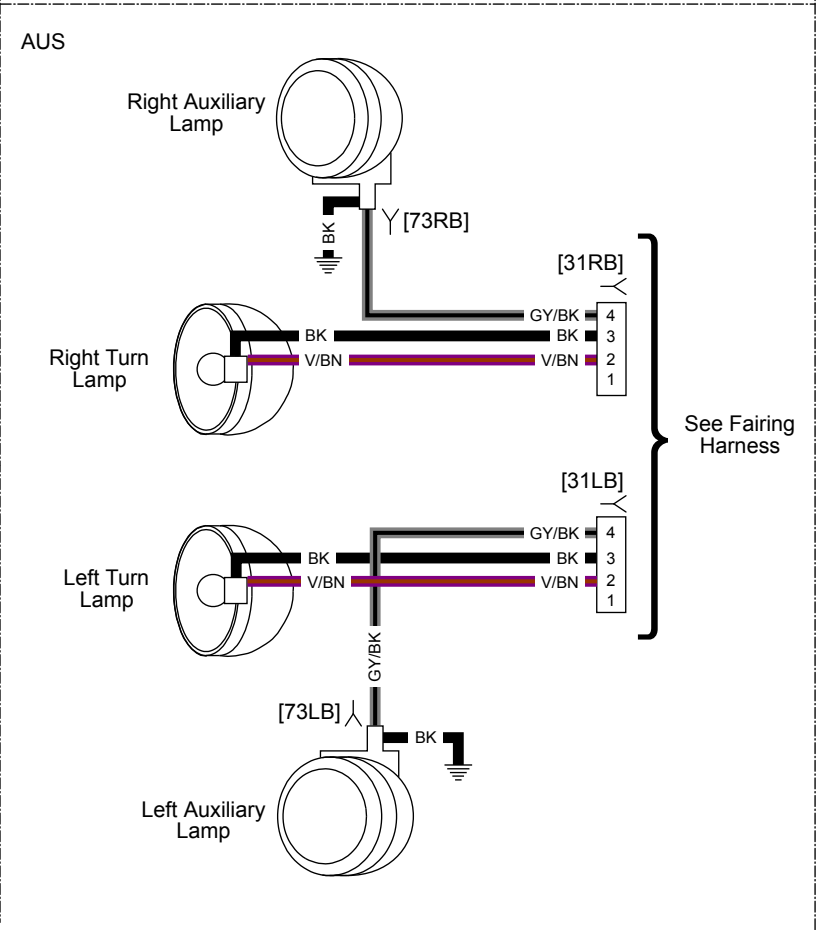
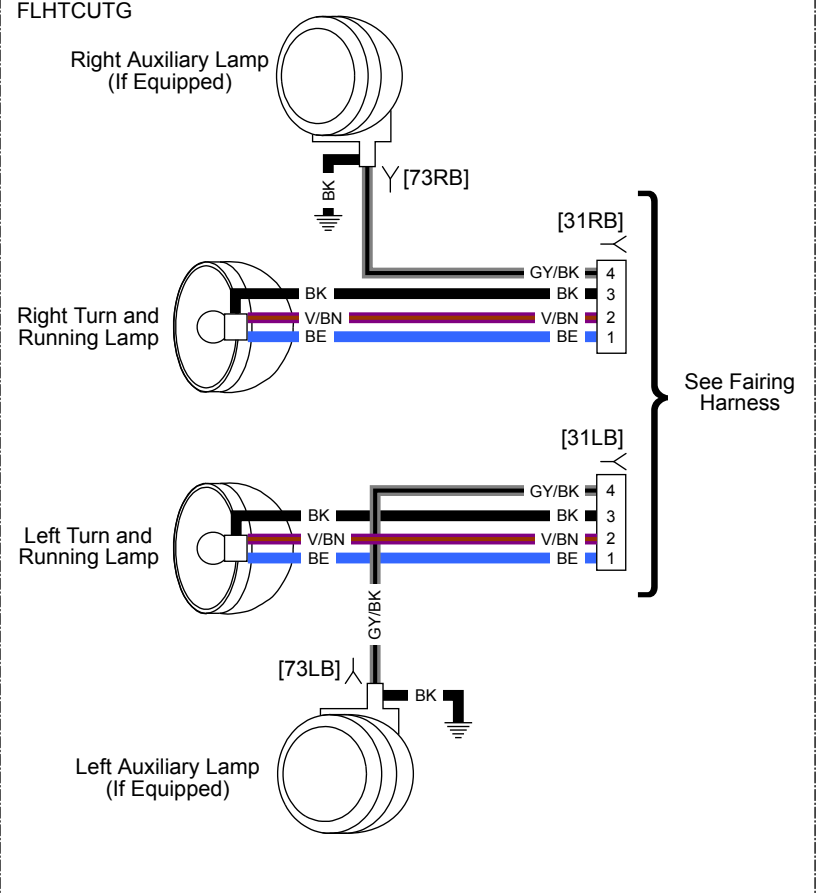
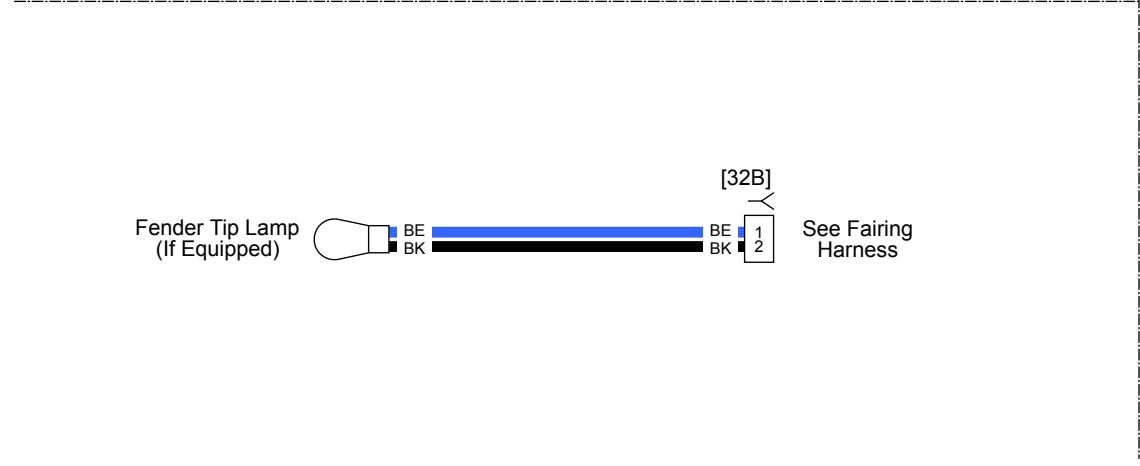
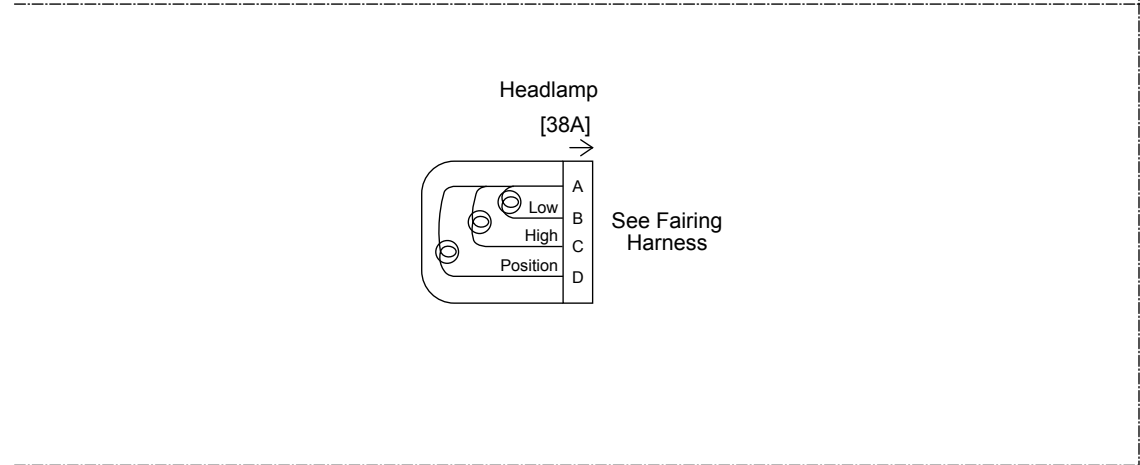
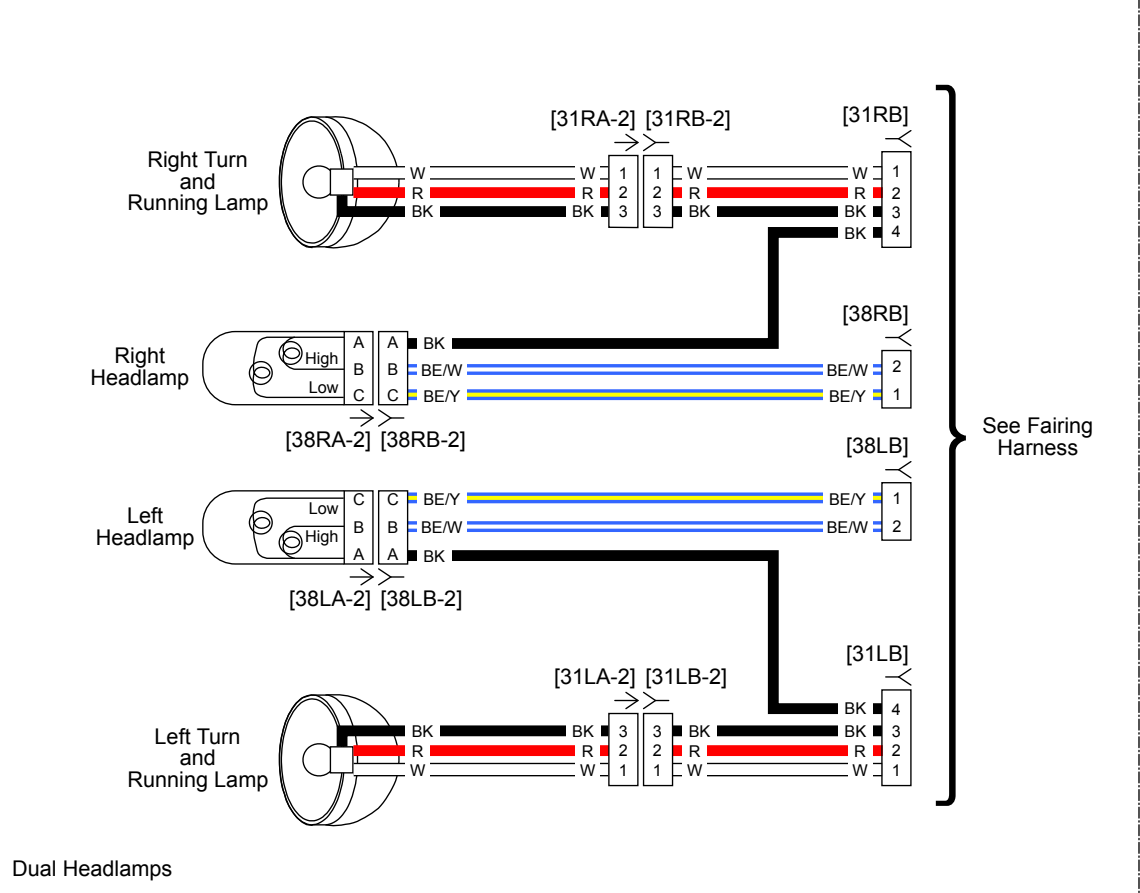
Main Harness (1 of 3): 2023 FLHP



Main Harness (3 of 3): 2023 FLHP

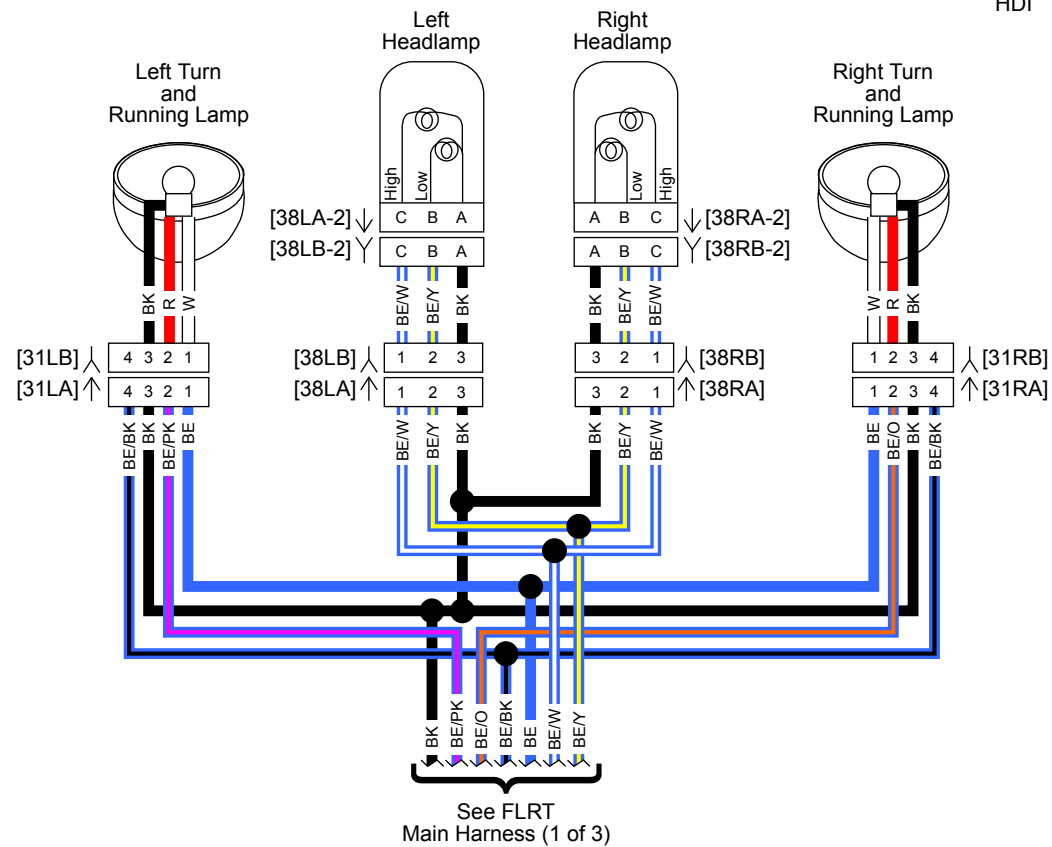


Rear Lighting: 2023 Police

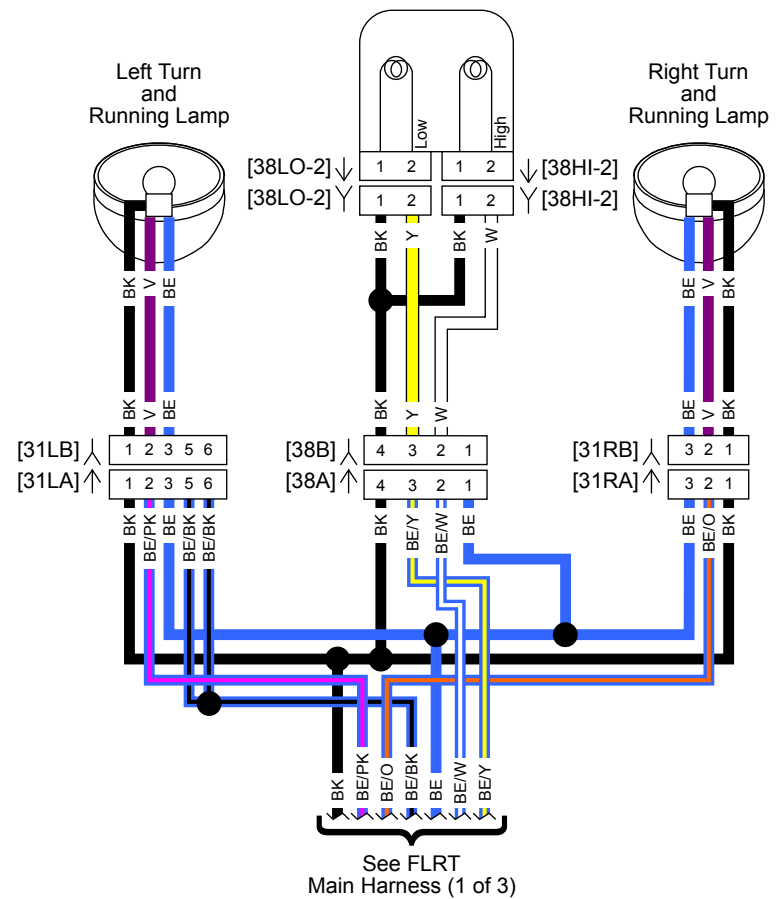


Front Lighting and Hand Controls FLHTCUTG: 2023 Trike Model

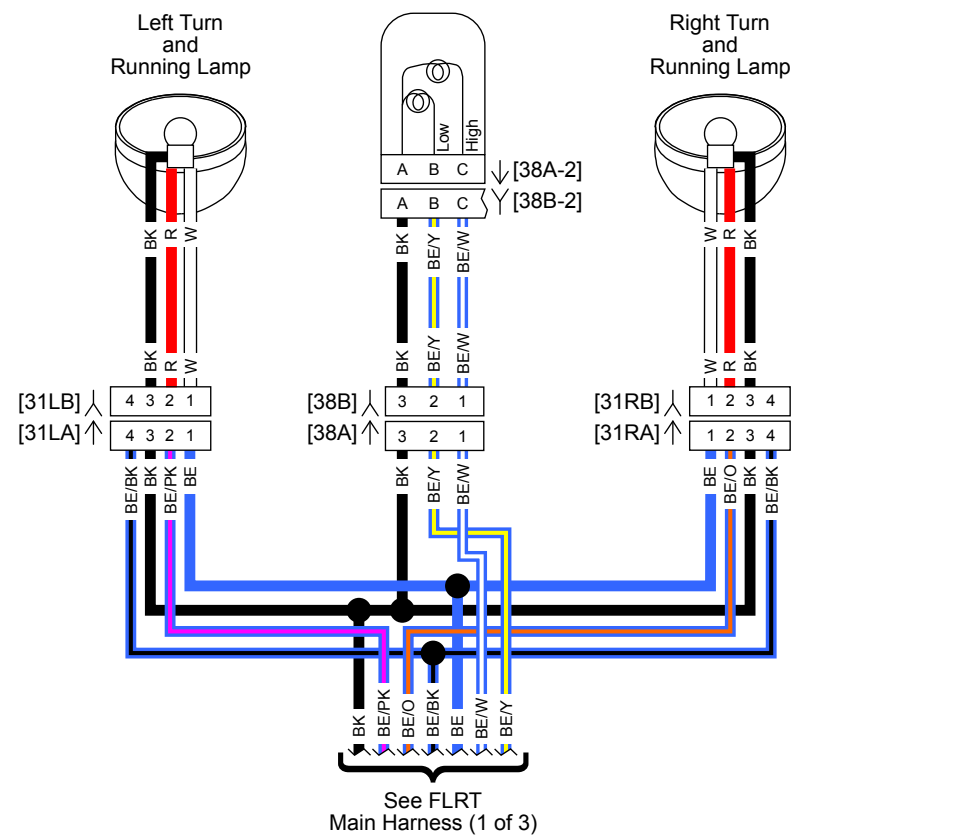
FLRT
ENG
HDI



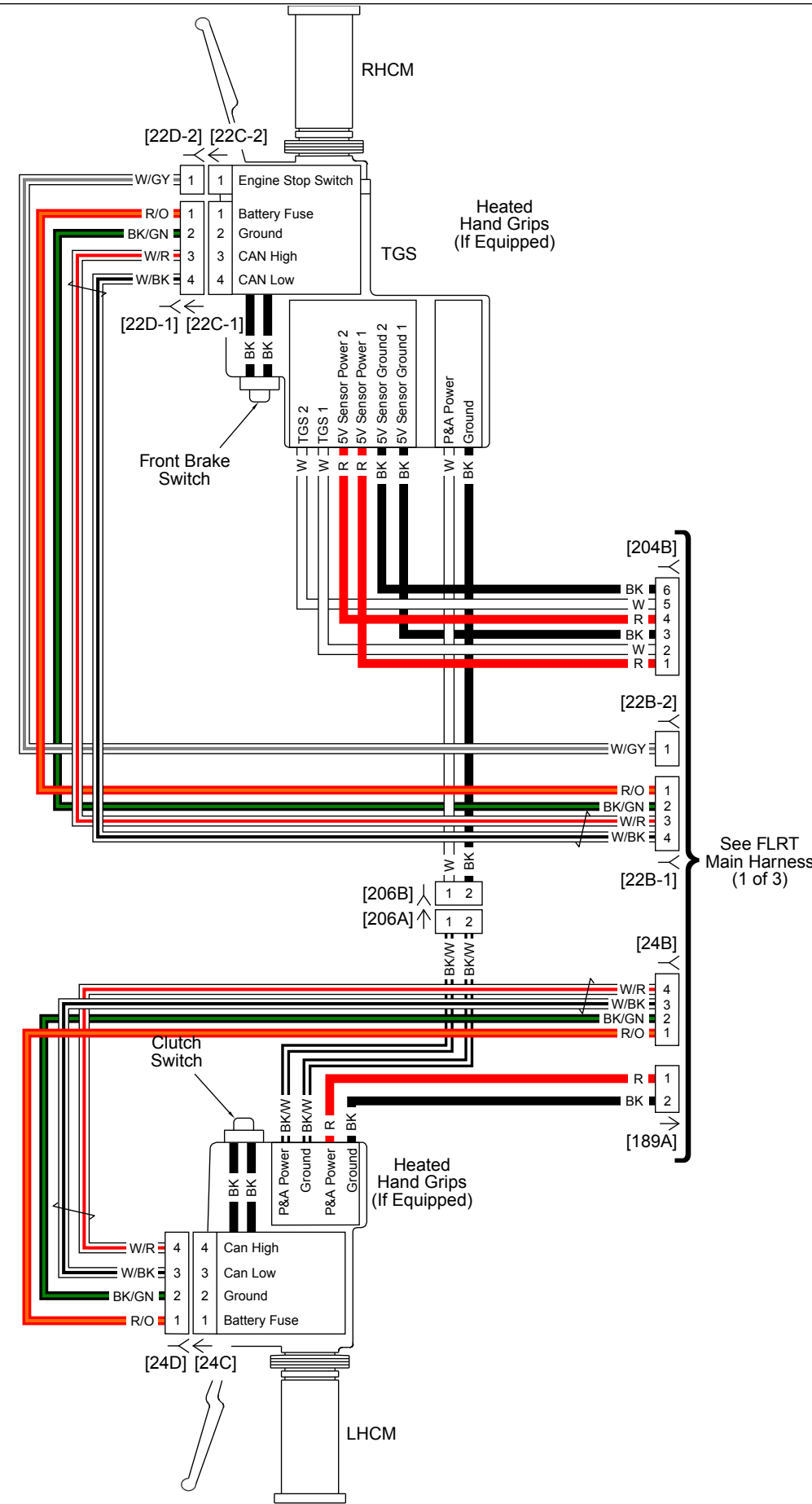
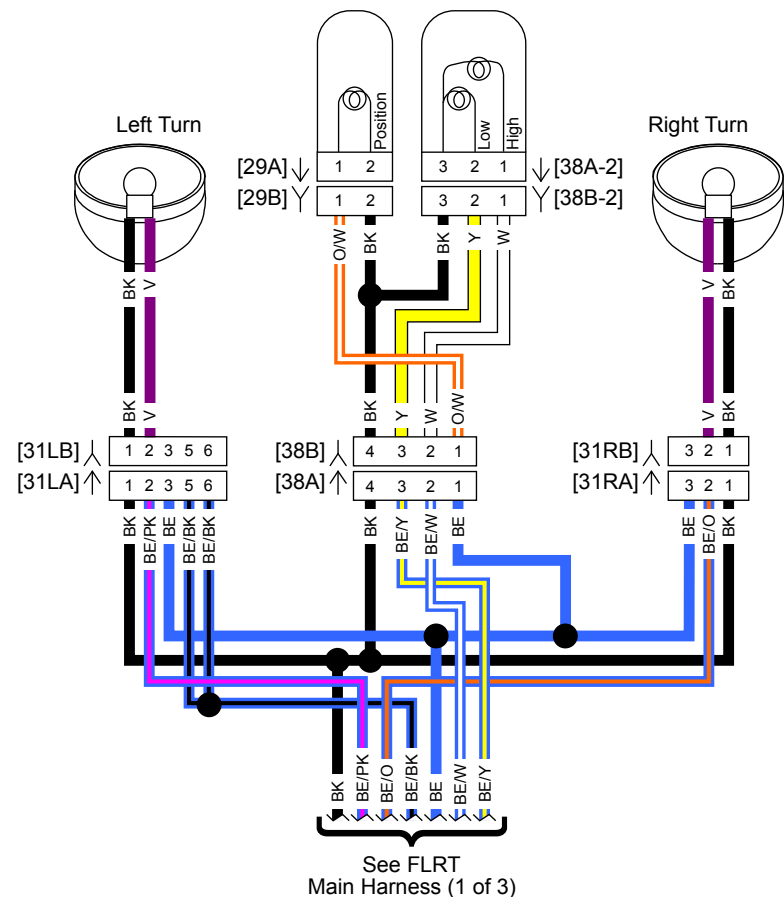
FLRT
CAI
CAN
DOM



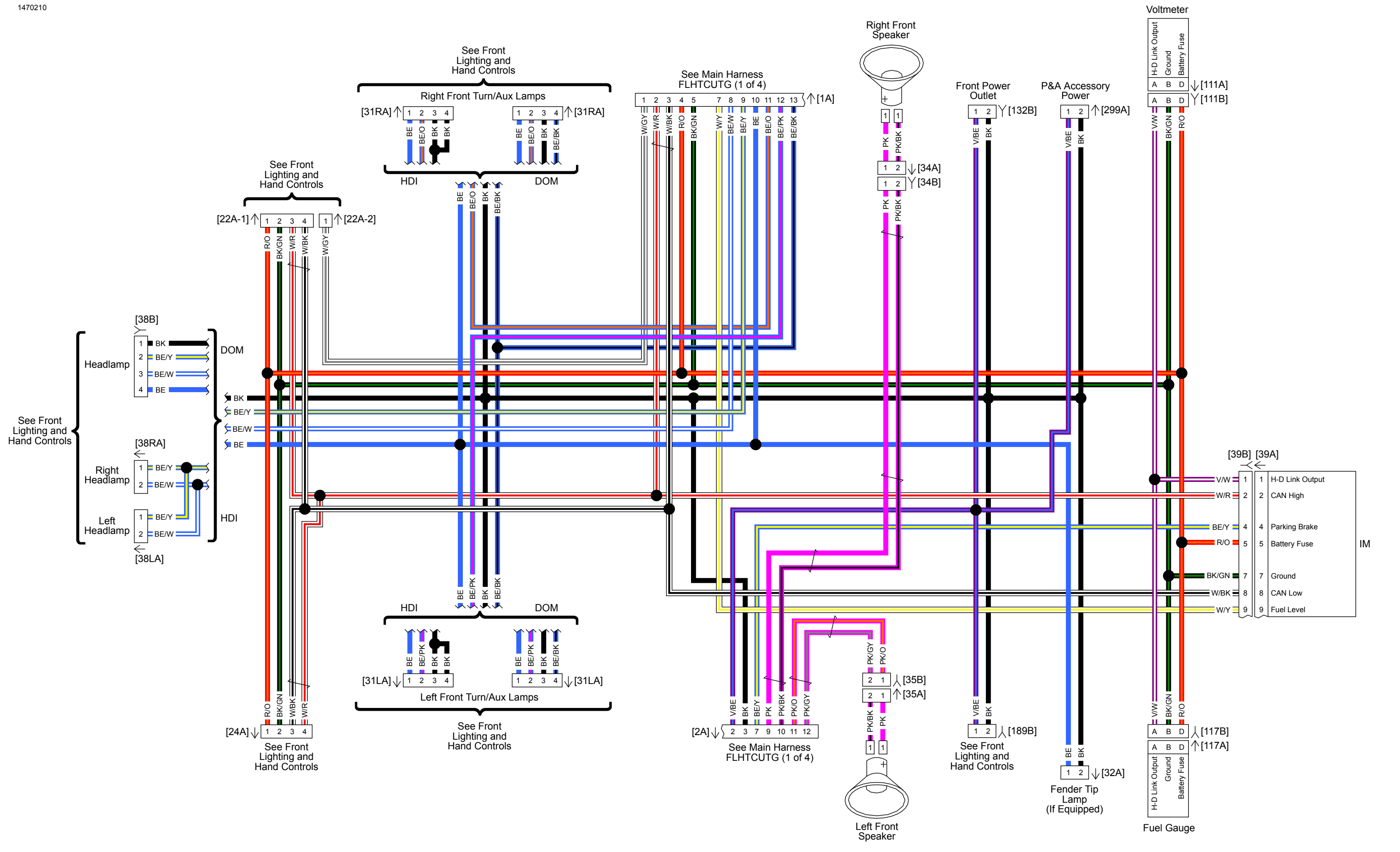
FLRT
Japan



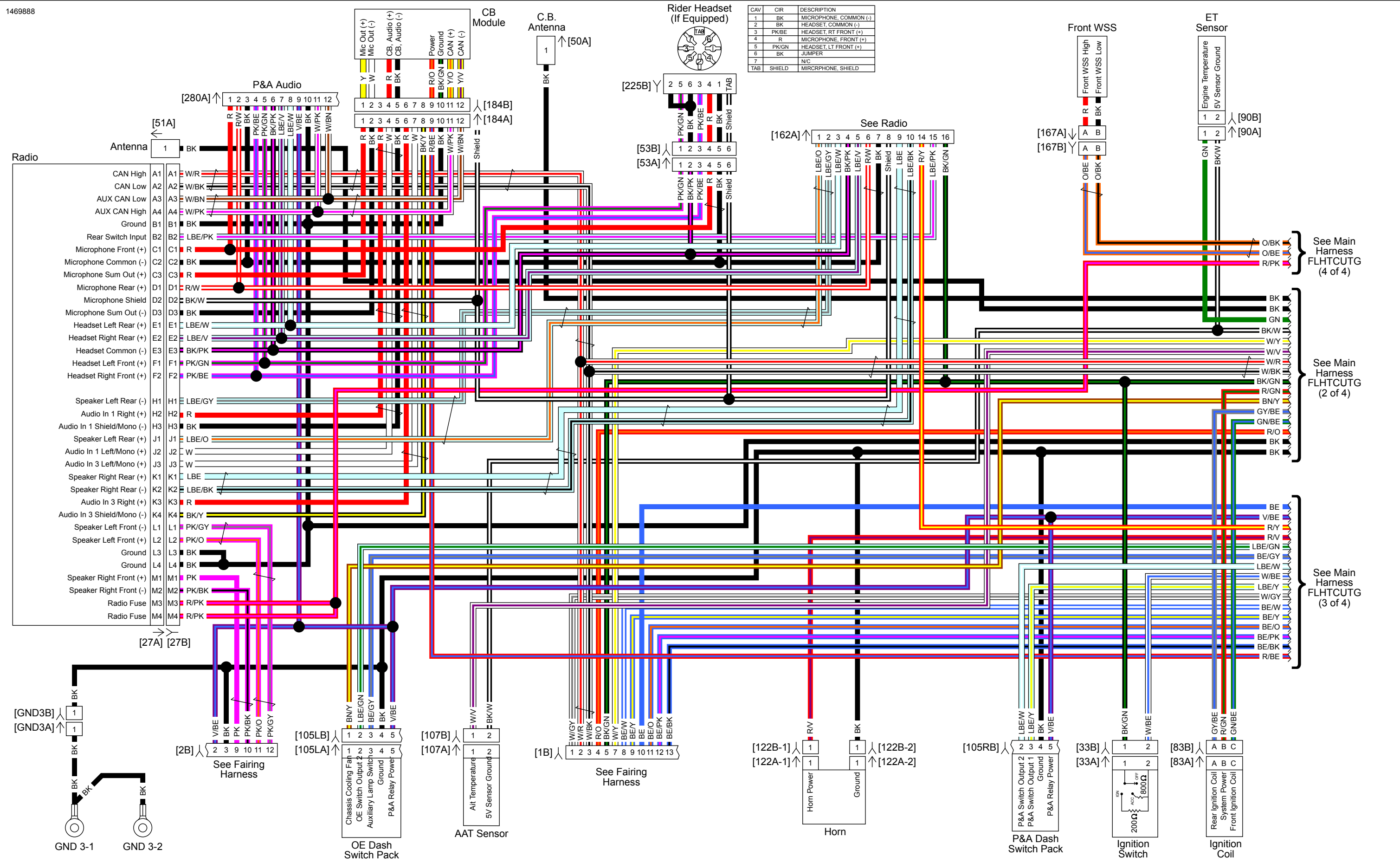
FLRT
AUS



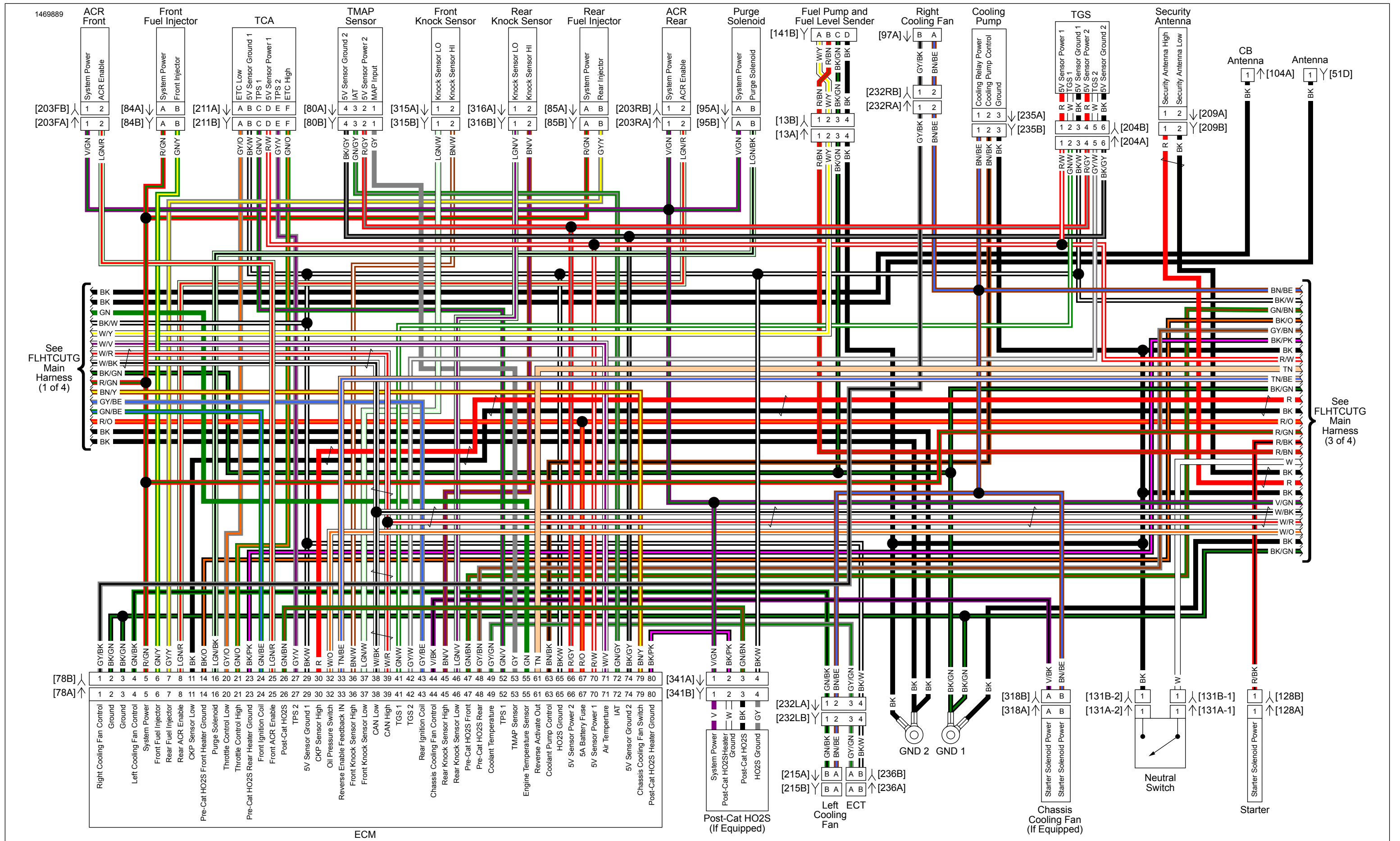
Front Lighting and Hand Controls FLRT: 2023 Trike Model

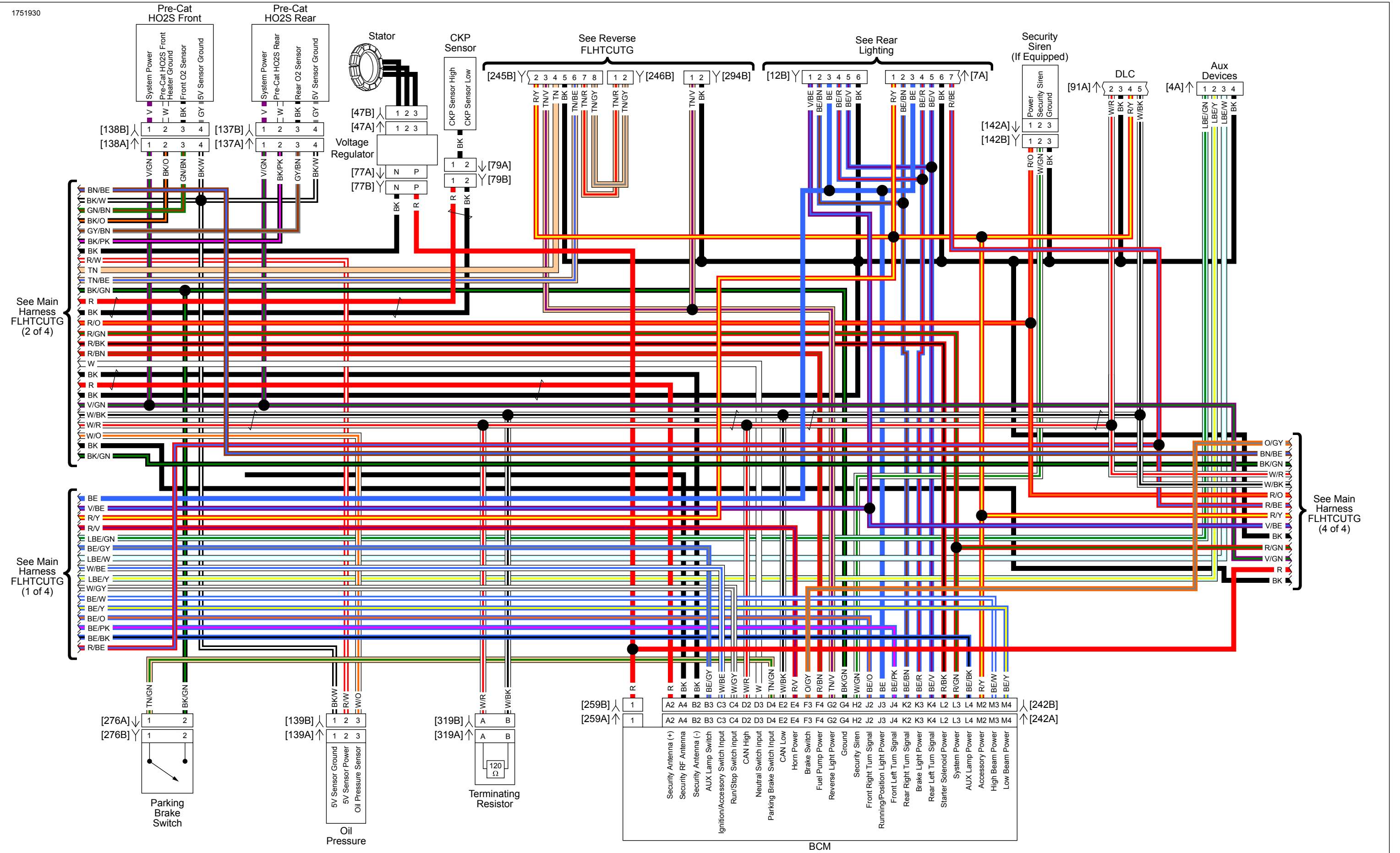


Fairing Harness FLHTCUTG: 2023 Trike Model

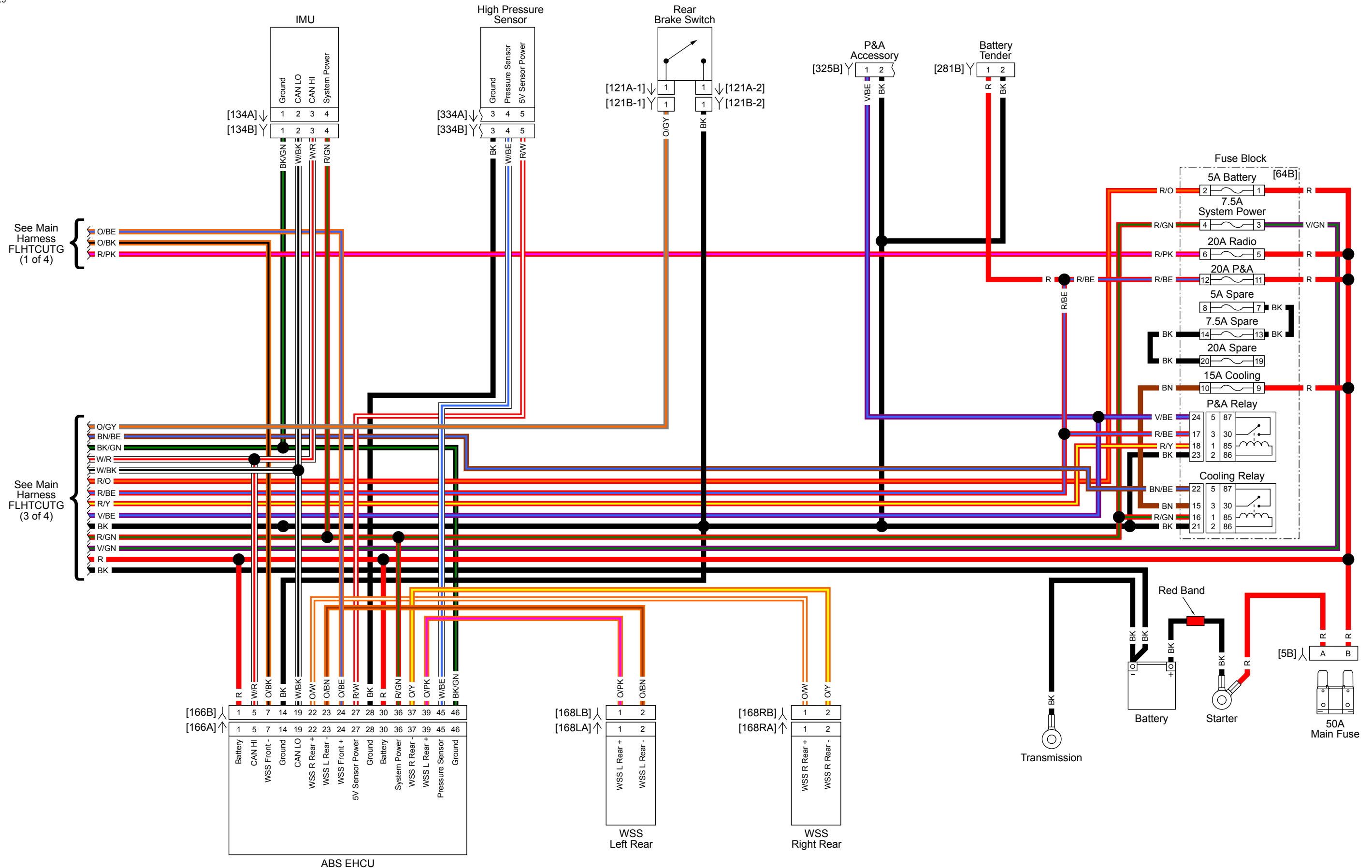


Main Harness FLHTCUTG (1 of 4): 2023 Trike Model

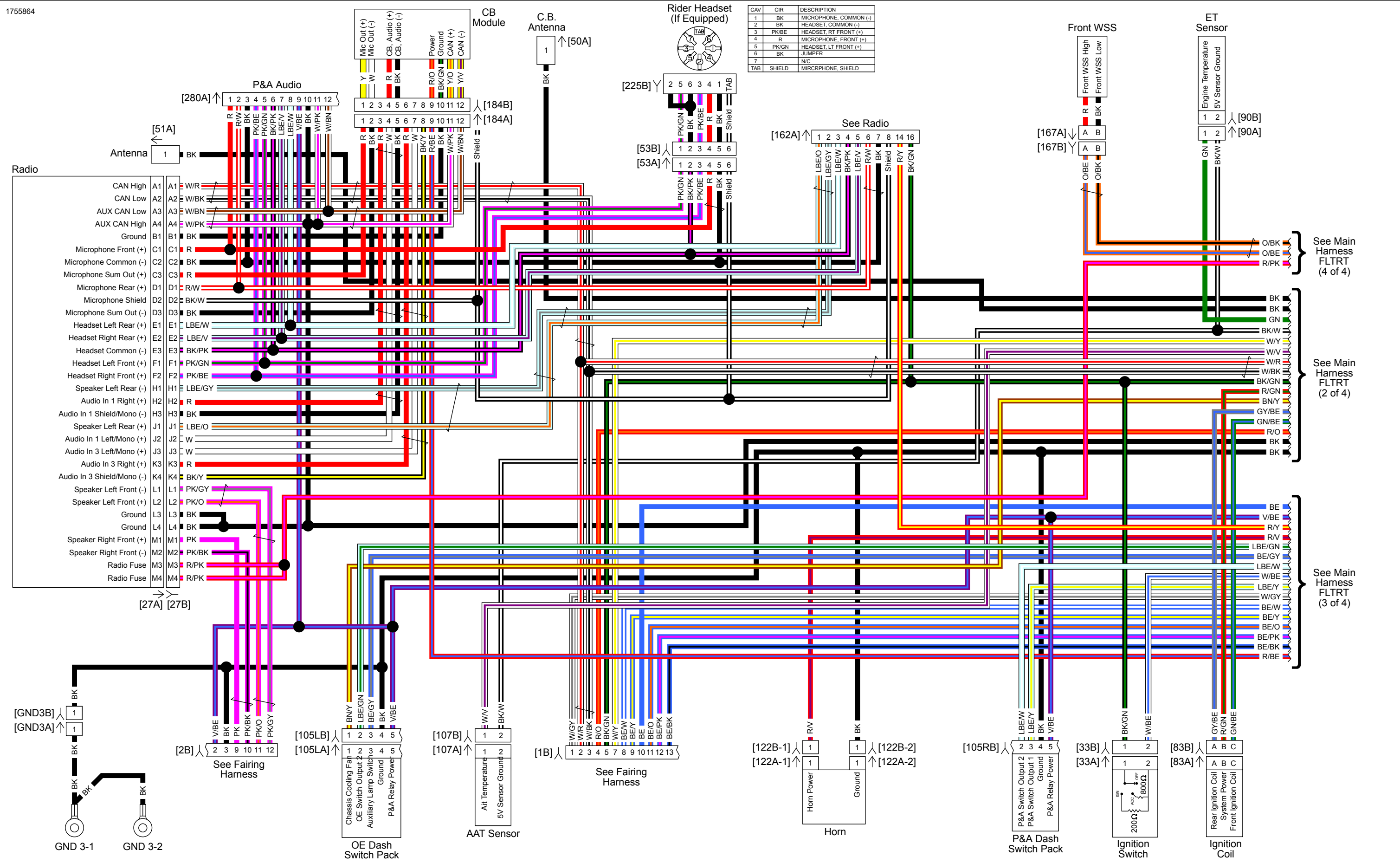




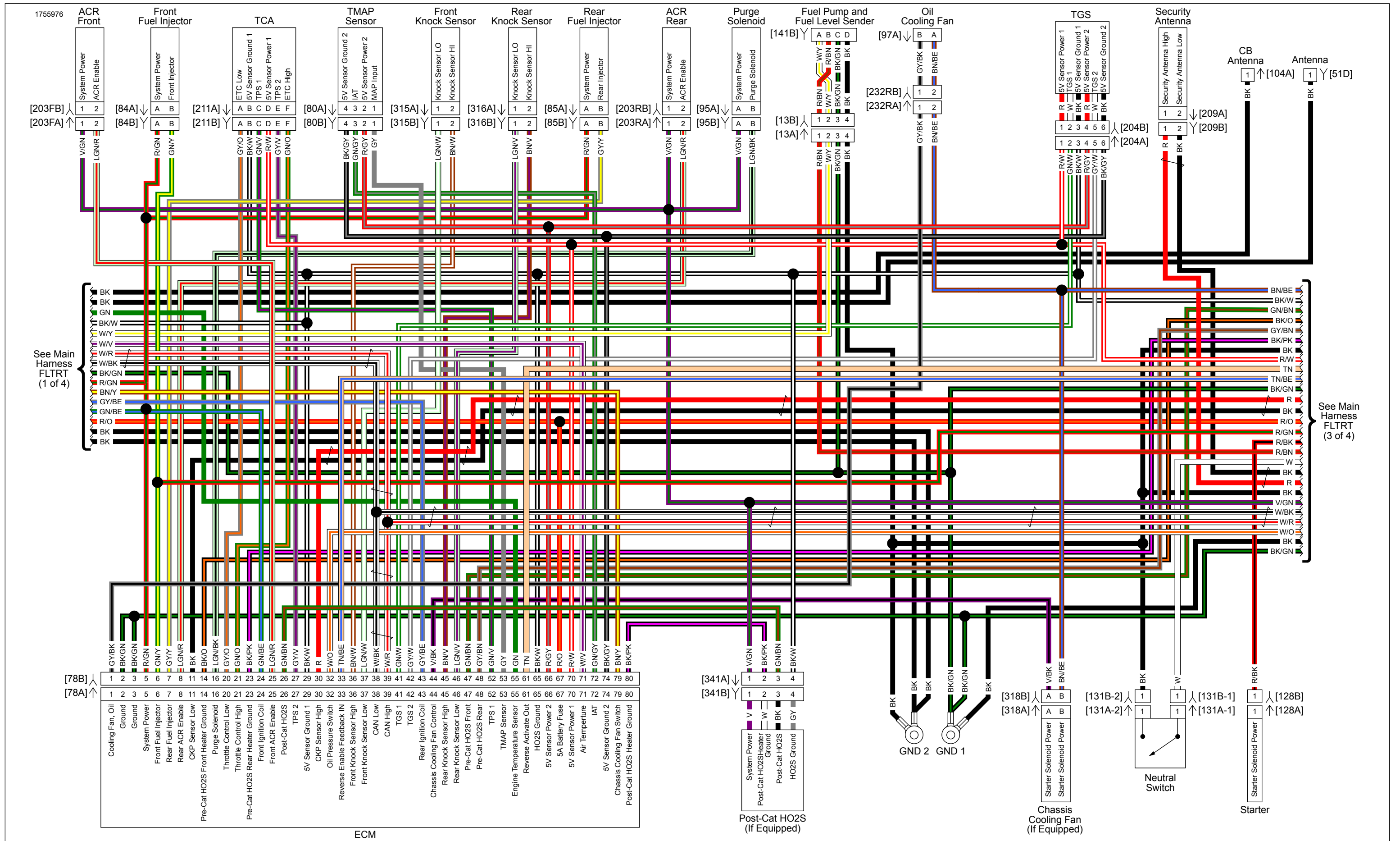
Main Harness FLHTCUTG (3 of 4): 2023 Trike Model



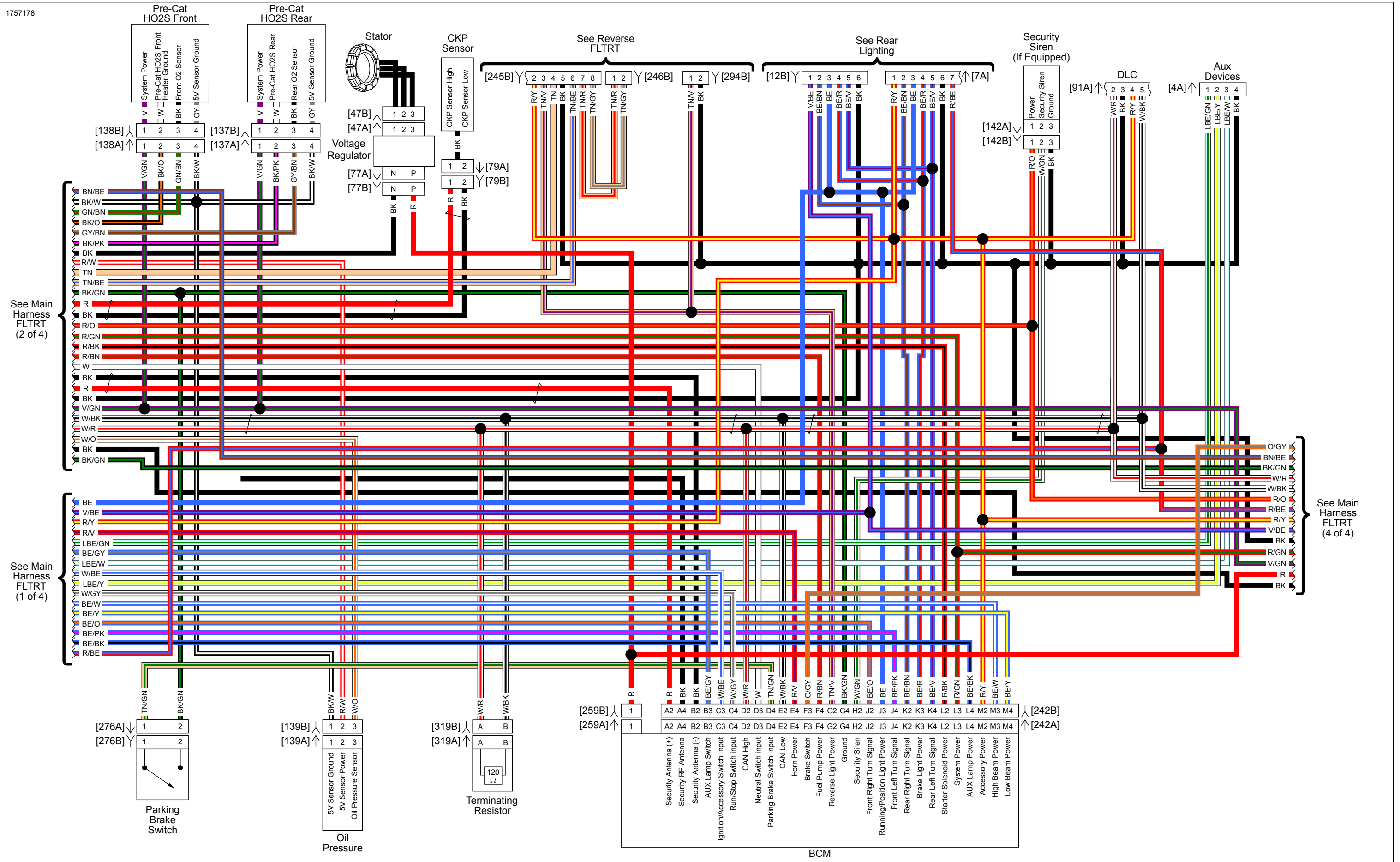
Main Harness FLHTCUTG (4 of 4): 2023 Trike Model



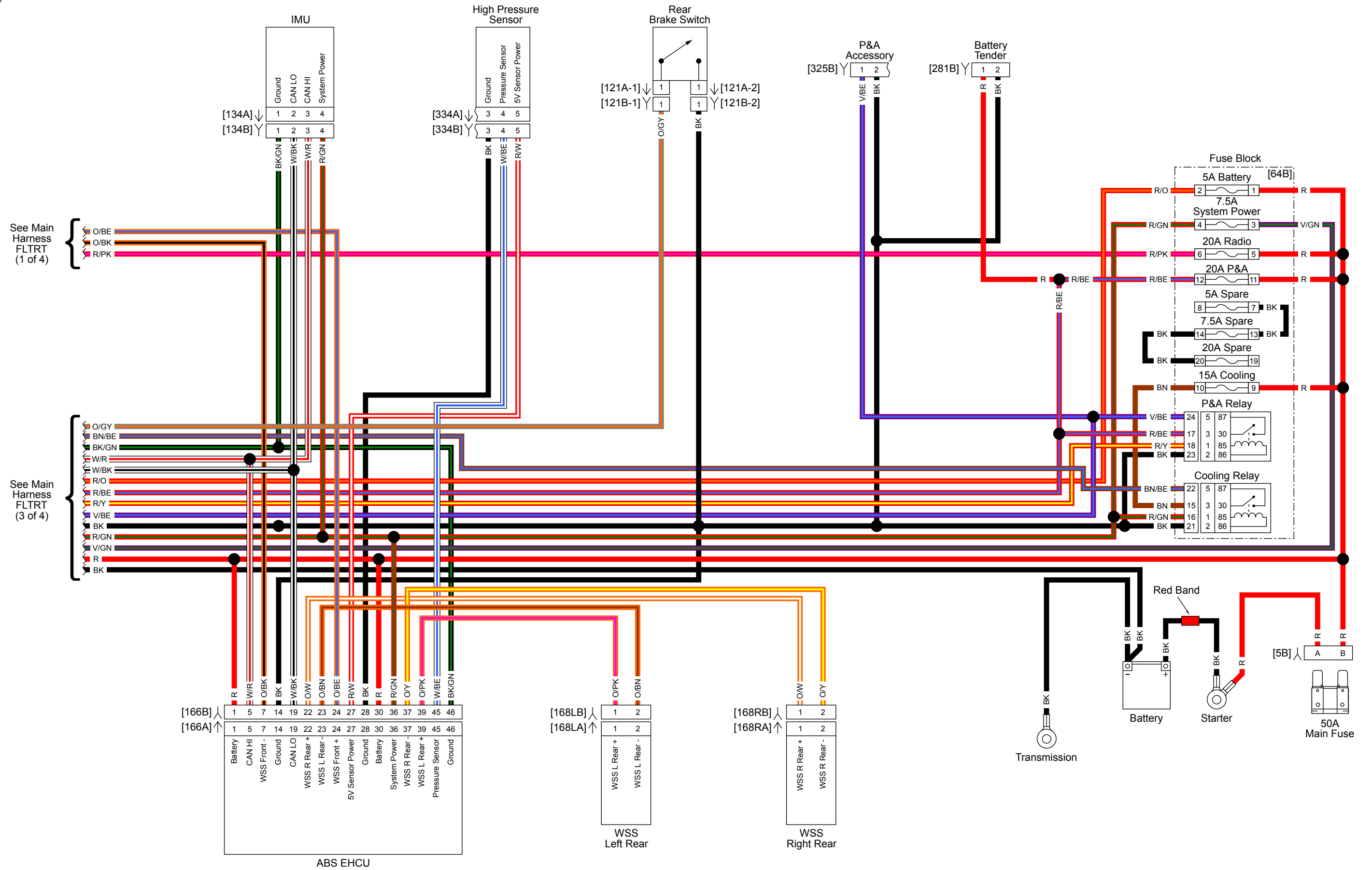
Main Harness FLTRT (1 of 4): 2023 Trike Model



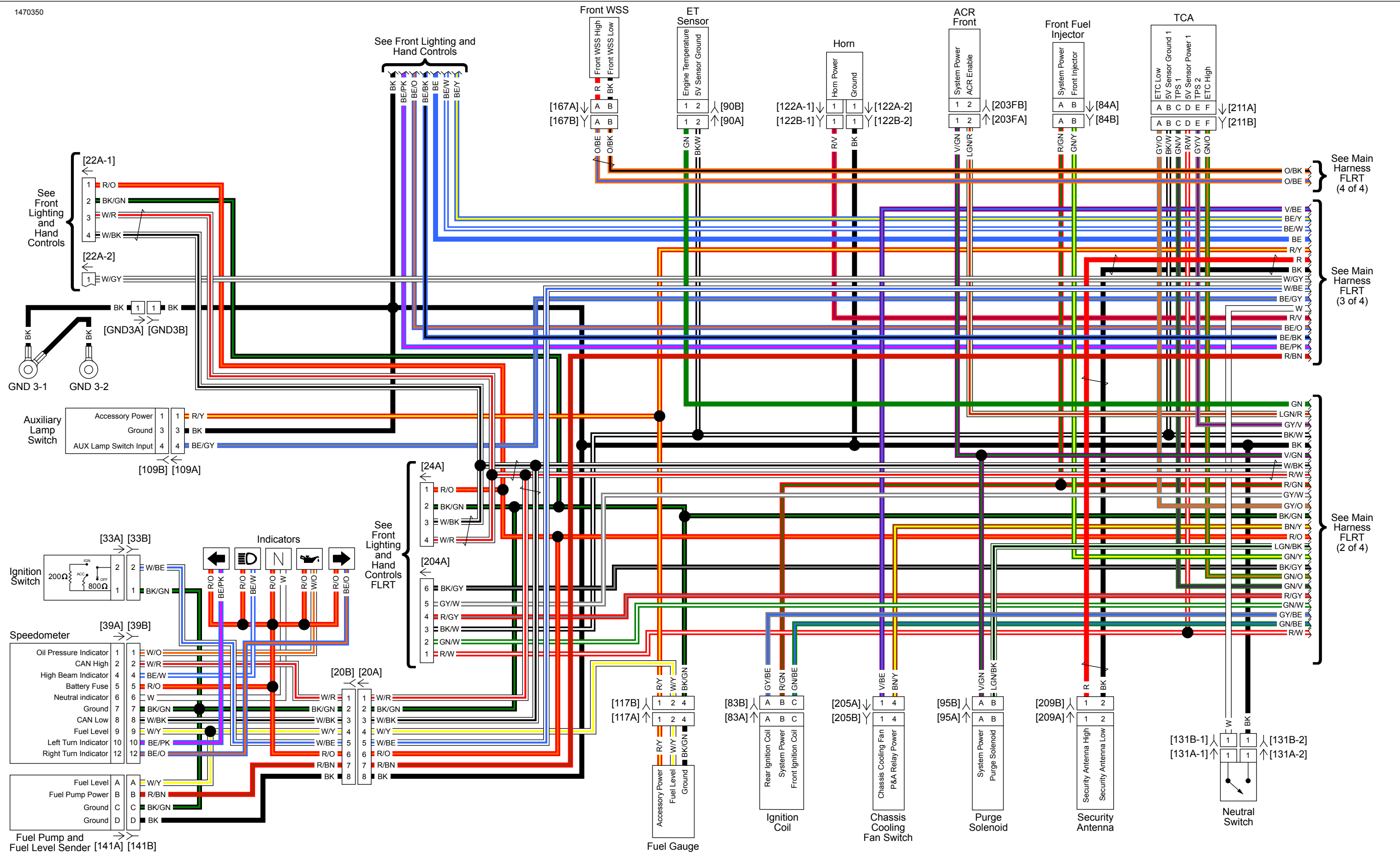
Main Harness FLRT (2 of 4): 2023 Trike Model



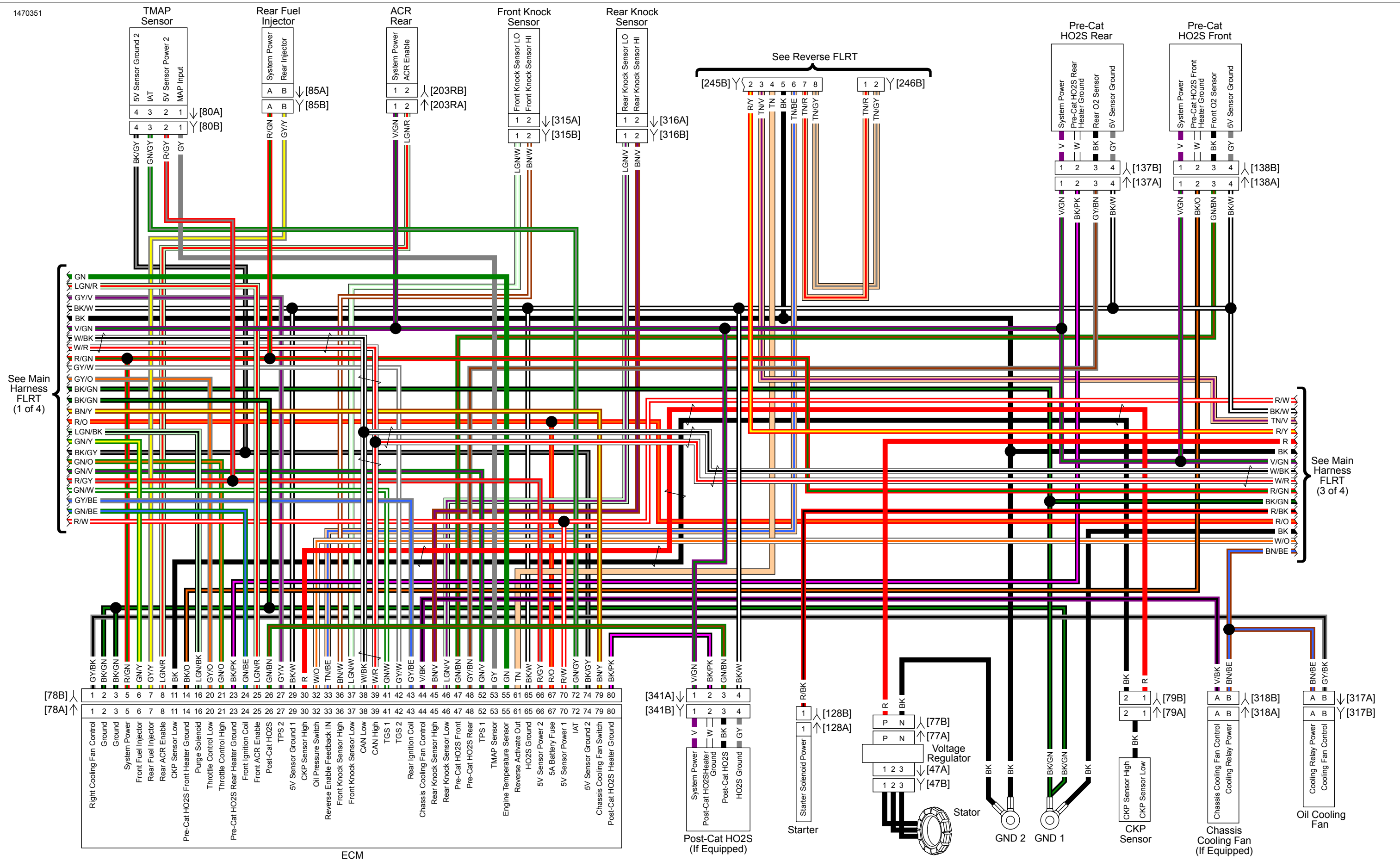
Main Harness FLTRT (3 of 4): 2023 Trike Model



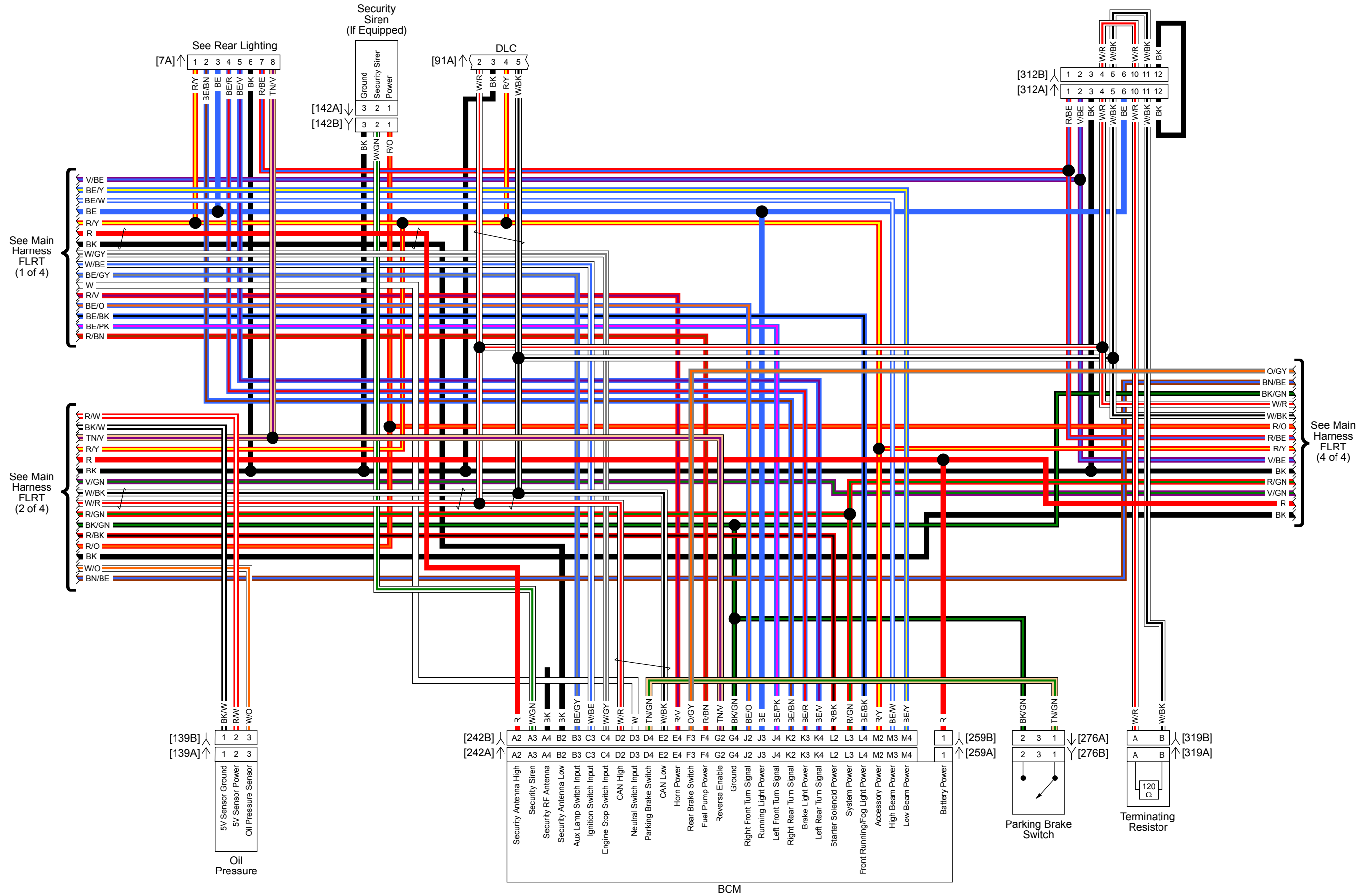
Main Harness FLTRT (4 of 4): 2023 Trike Model



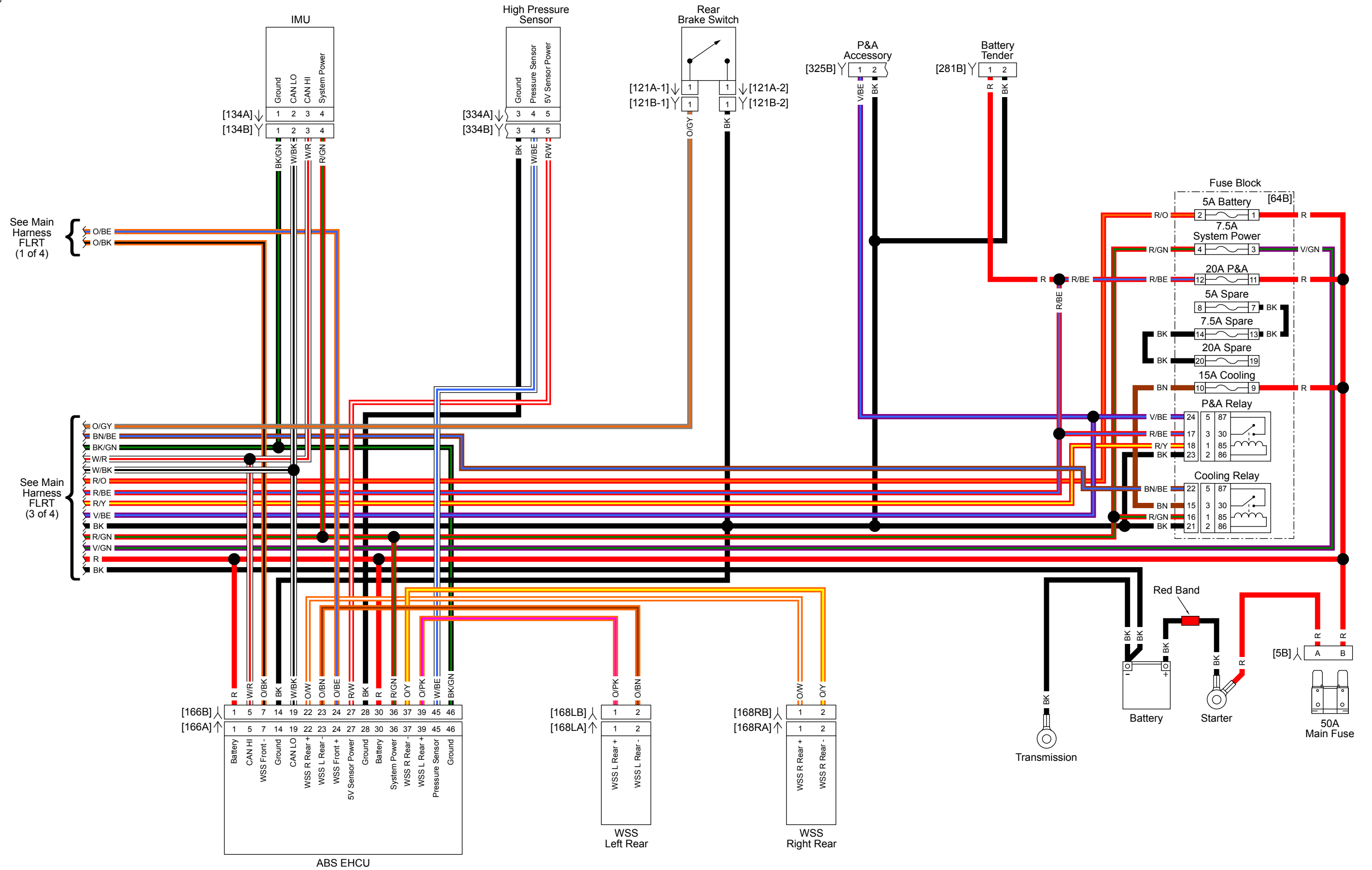
Main Harness FLRT (1 of 4): 2023 Trike Model



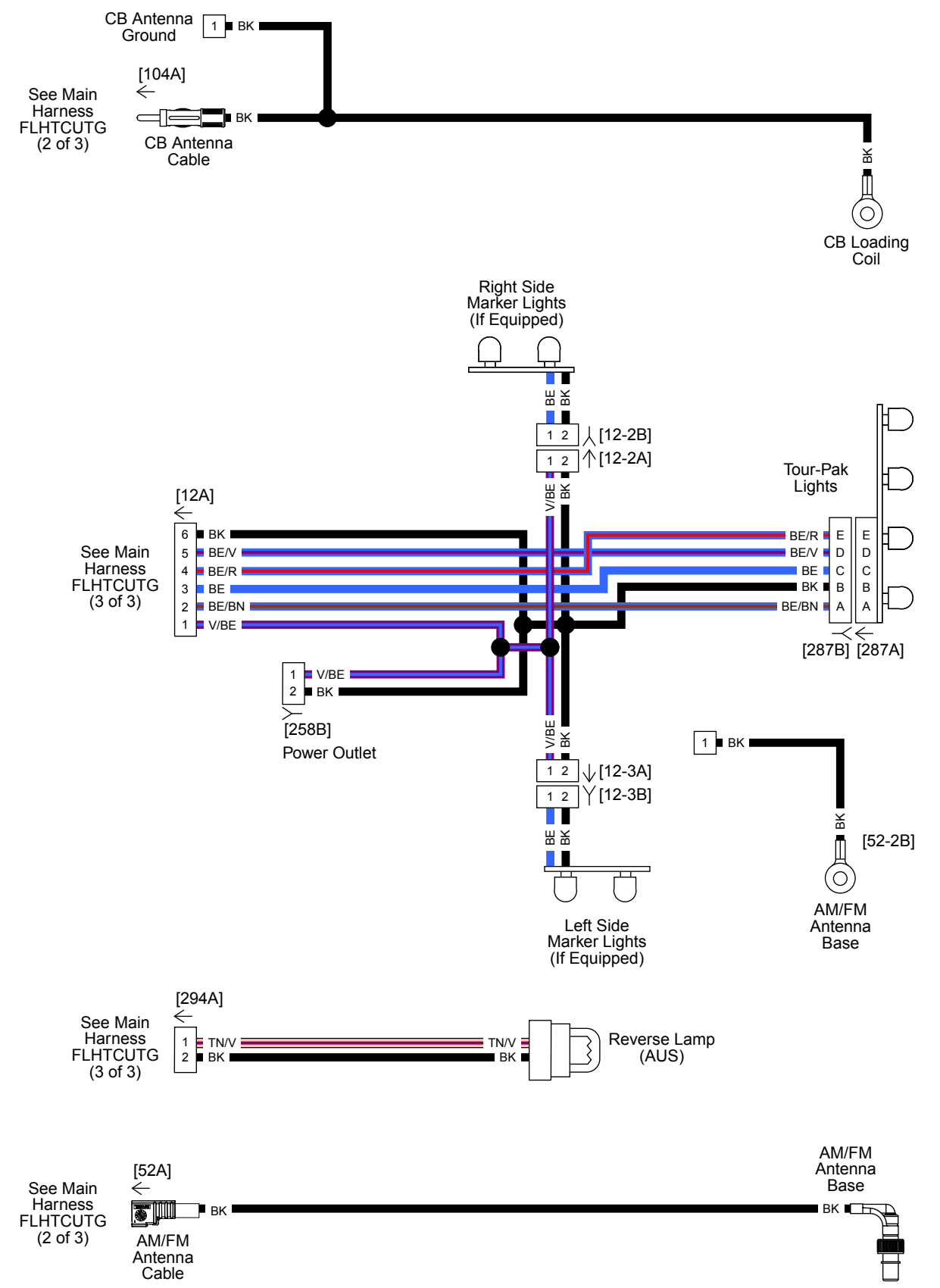
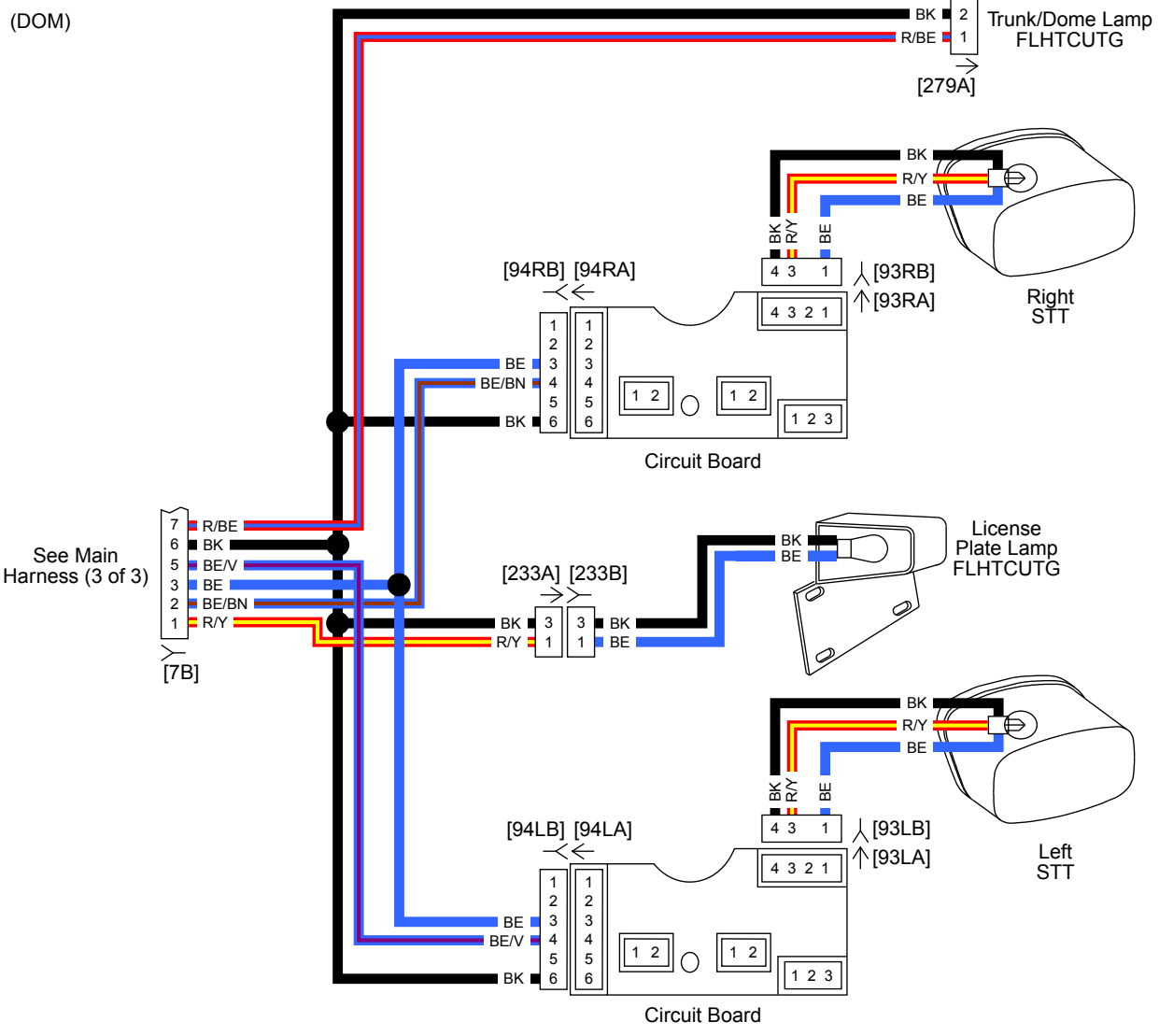
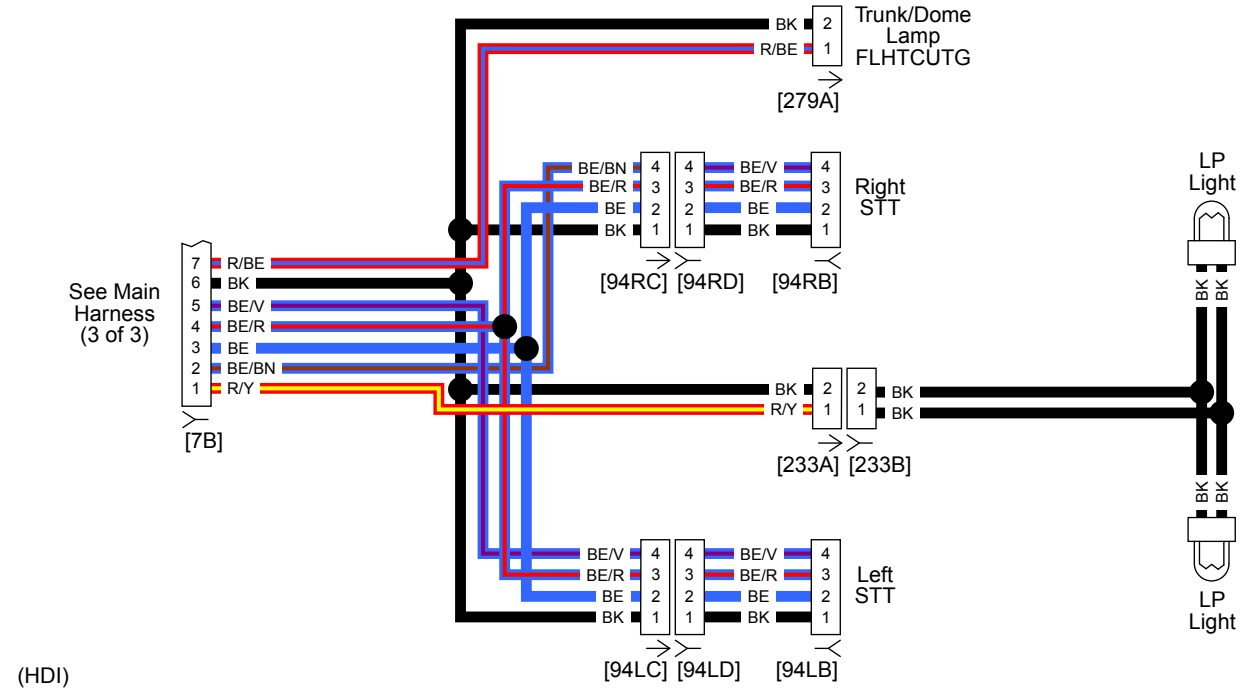
Main Harness FLRT (2 of 4): 2023 Trike Model



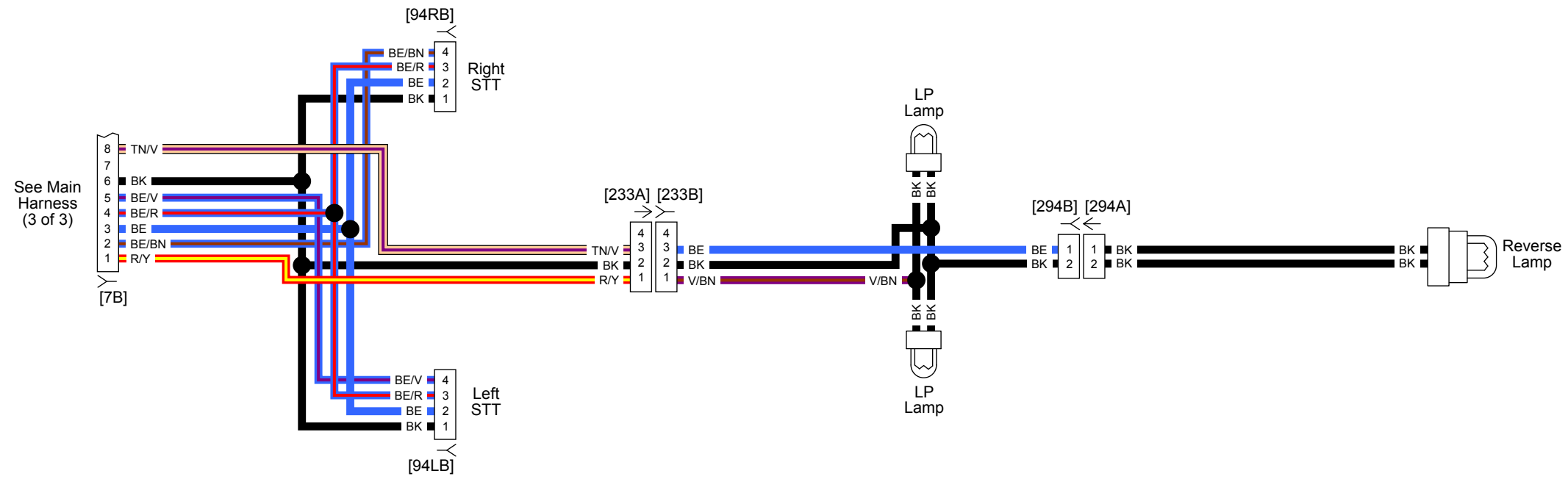
Main Harness FLRT (3 of 4): 2023 Trike Model



Main Harness FLRT (4 of 4): 2023 Trike Model



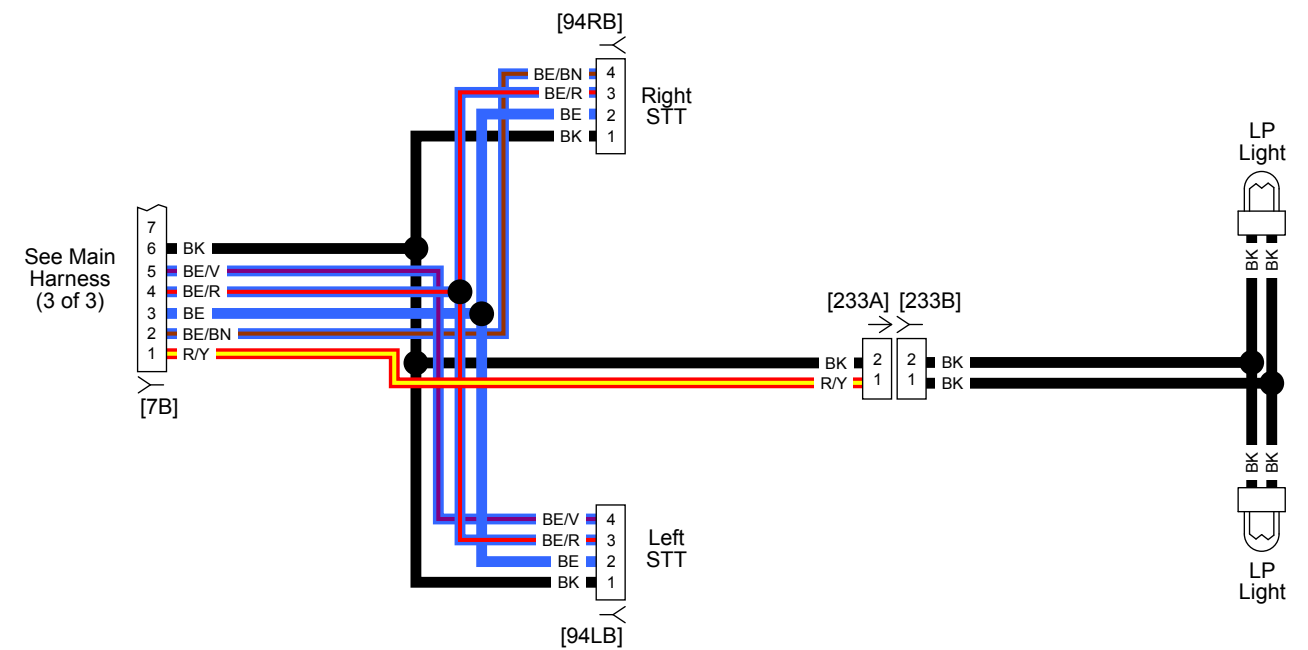
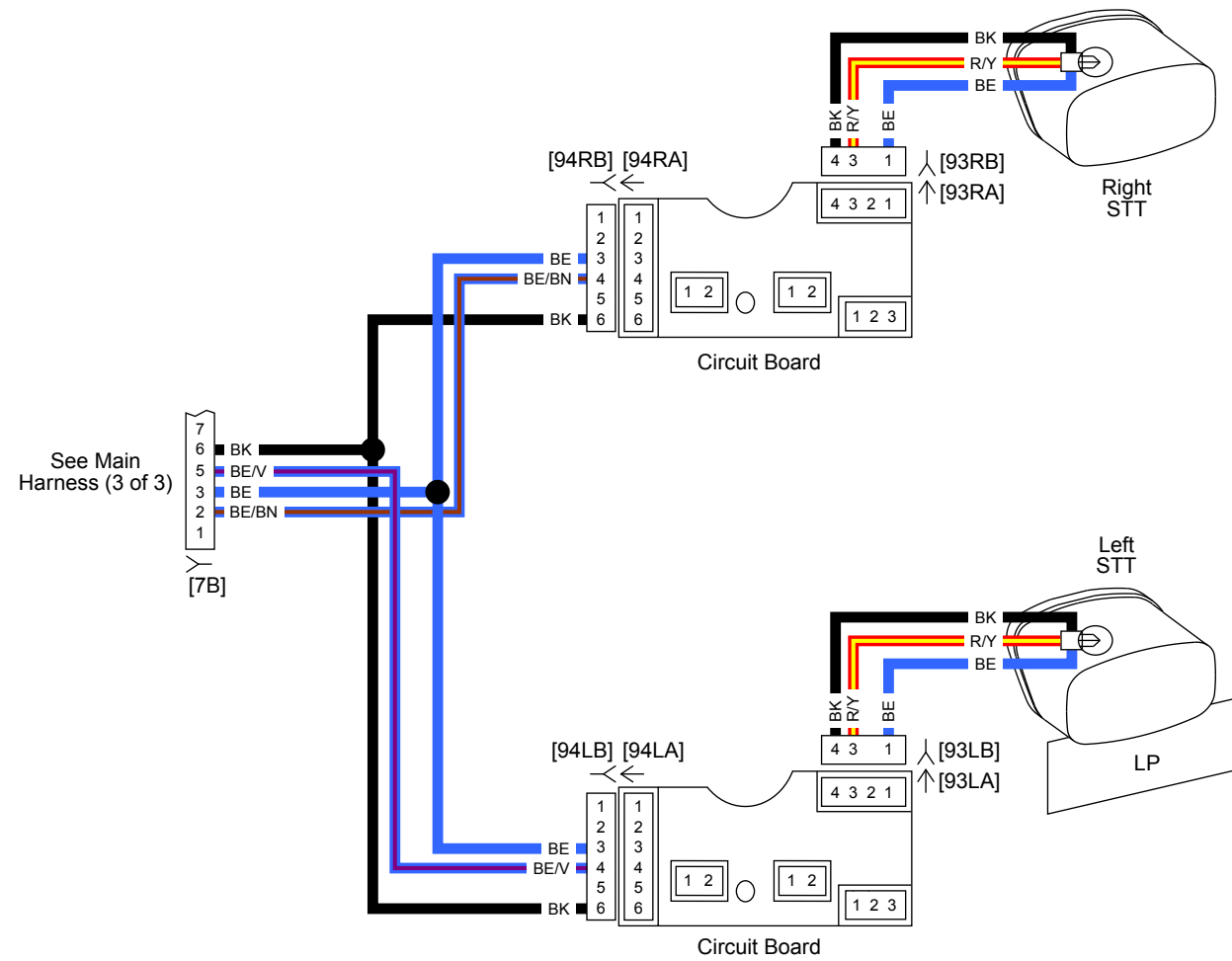
Rear Lighting FLHTCUTG: 2023 Trike Model



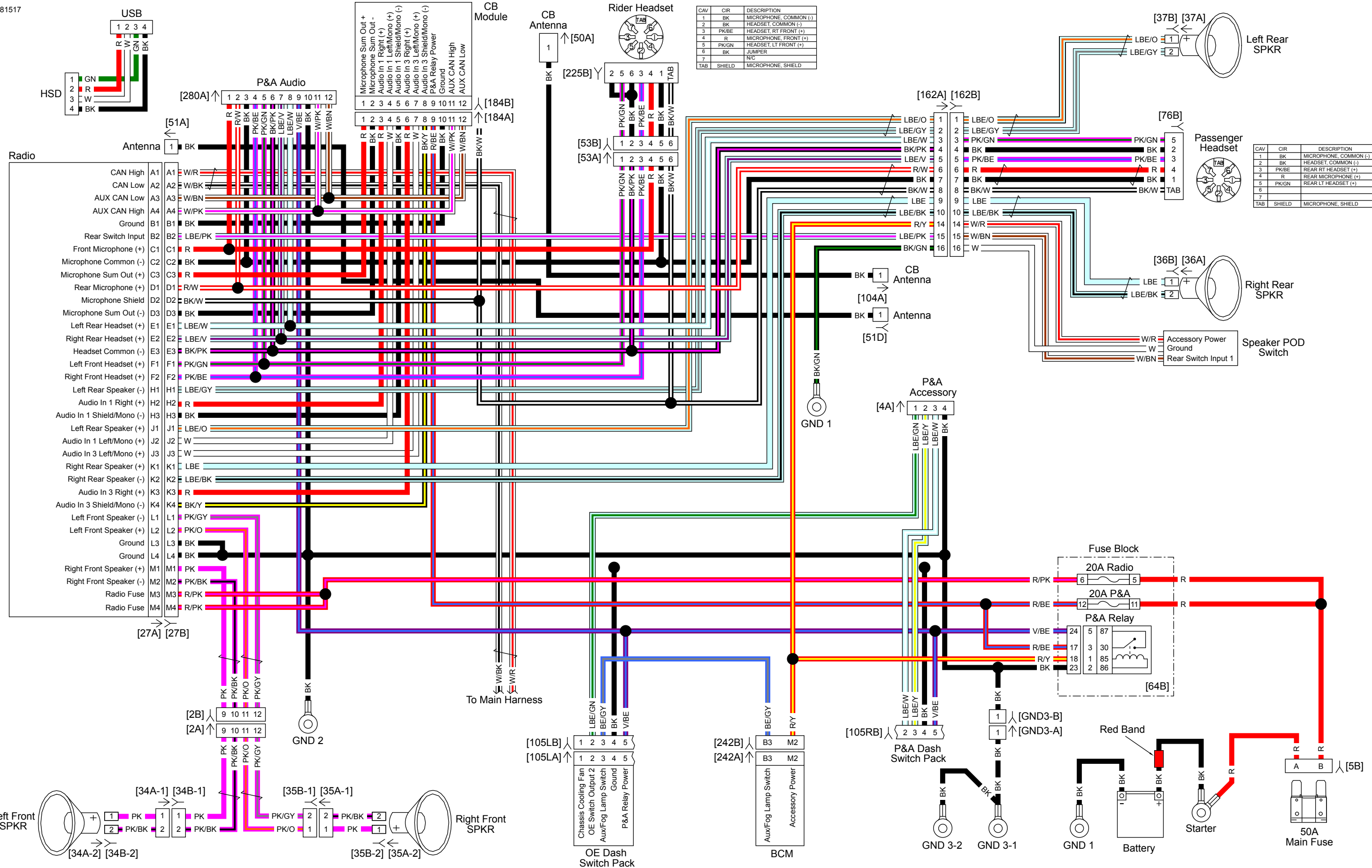
AUS

DOM

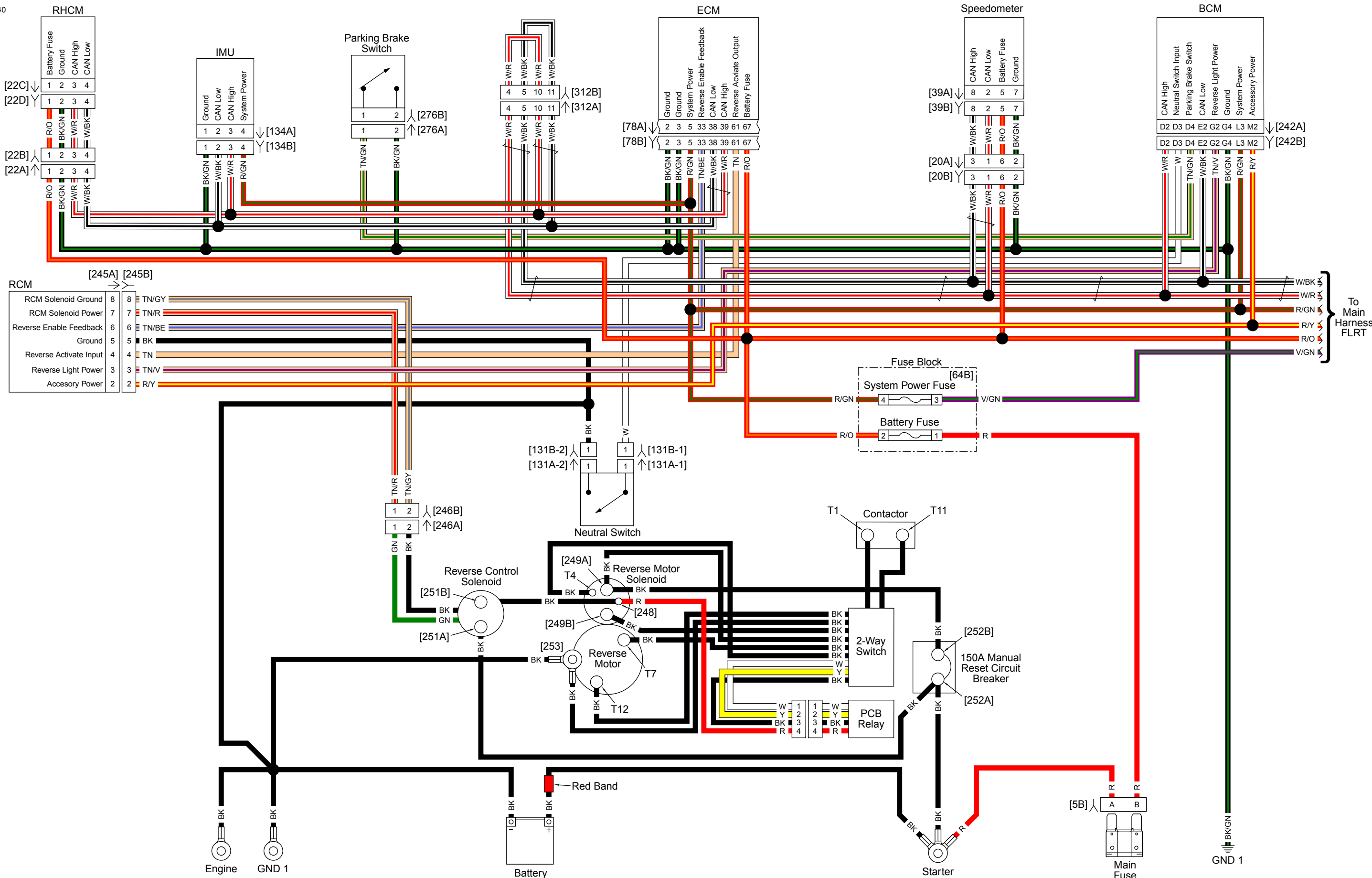
ENG, HDI, JPN



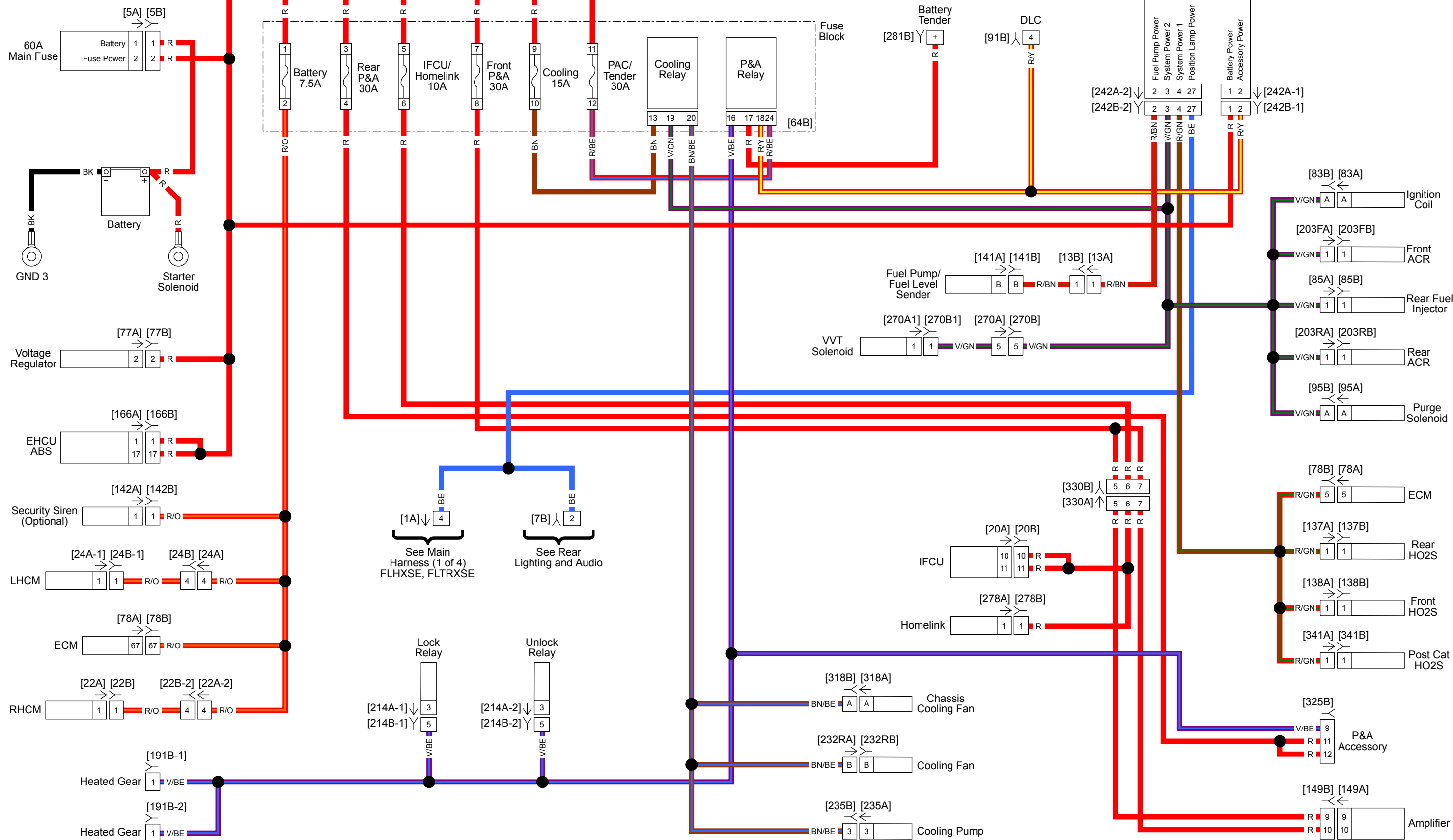
Rear Lighting FLRT: 2023 Trike Model



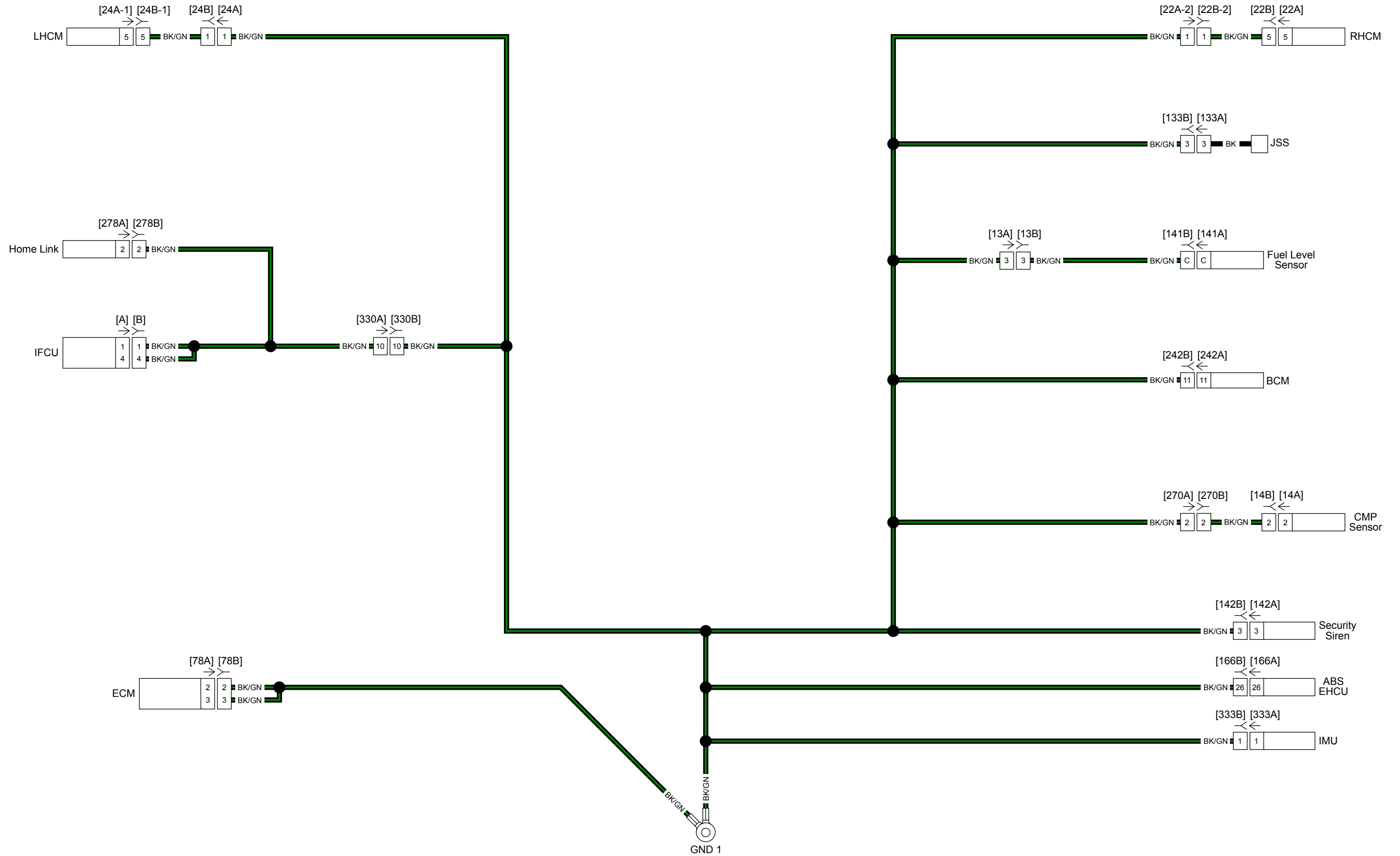
Radio FLHTCUTG: 2023 Trike Model



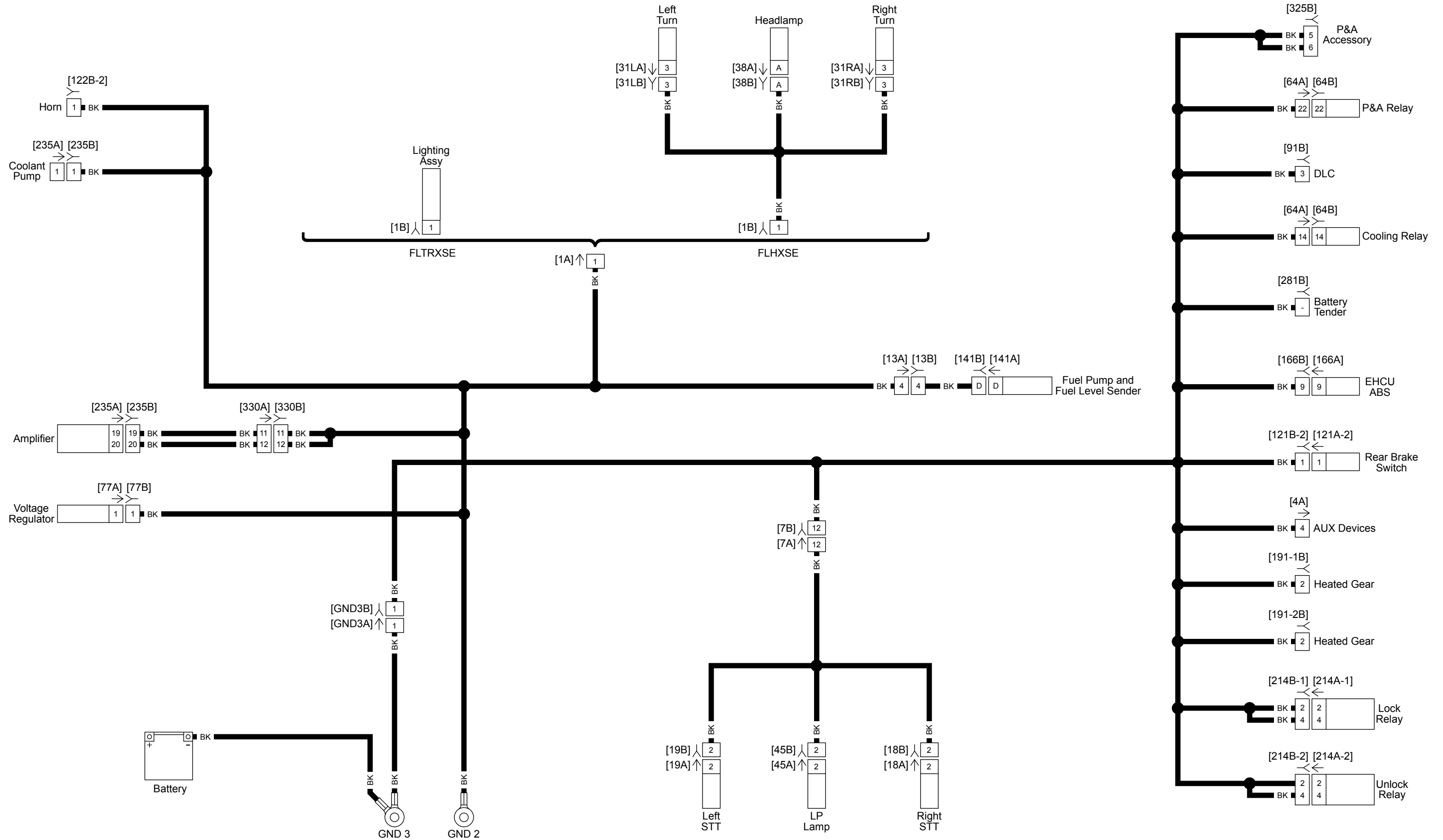
Reverse FLRT: 2023 Trike Model



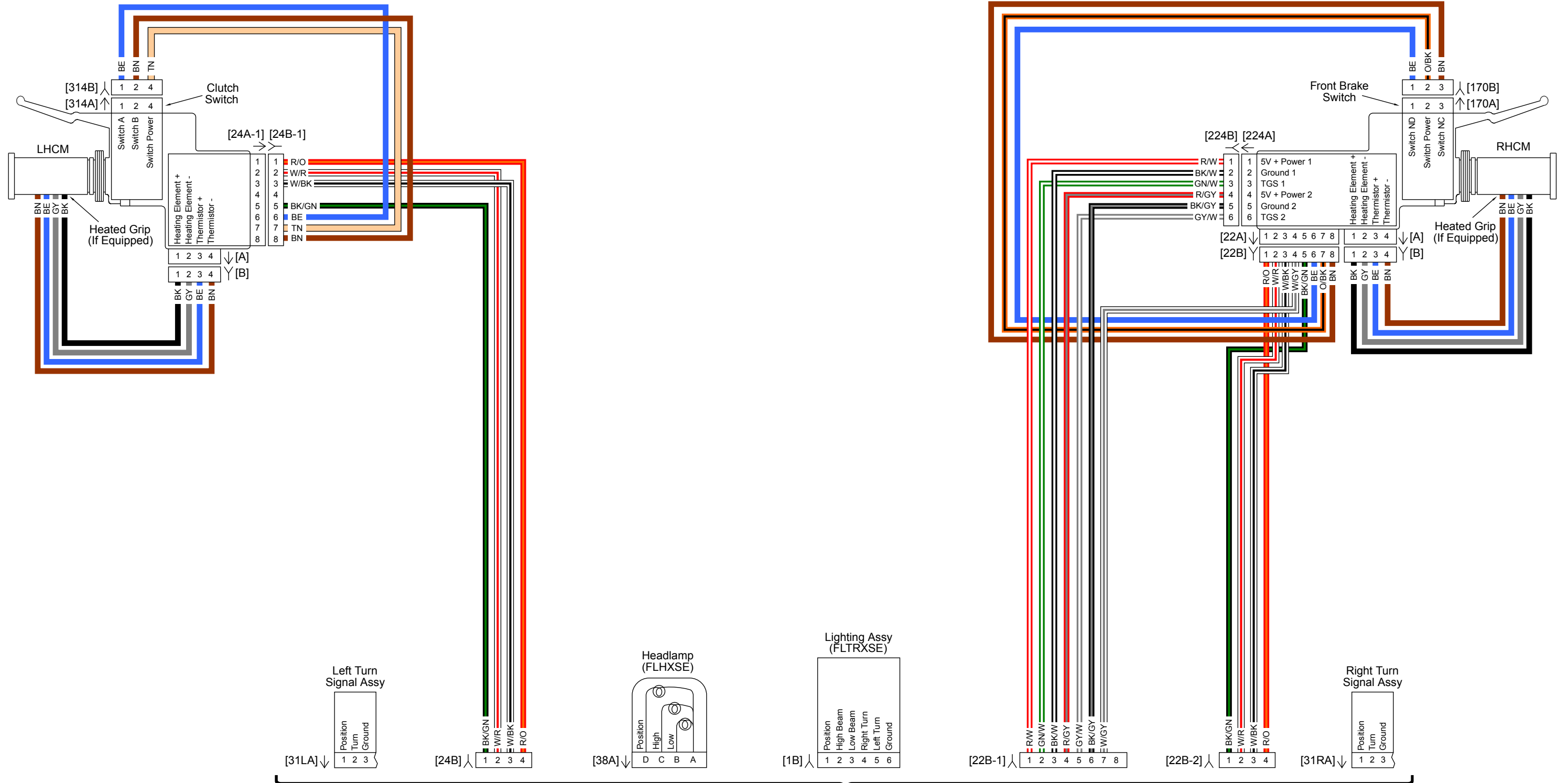
Power Distribution: 2023 FLHXSE, FLTRXSE



Sensor Grounds: 2023 FLHXSE, FLTRXSE

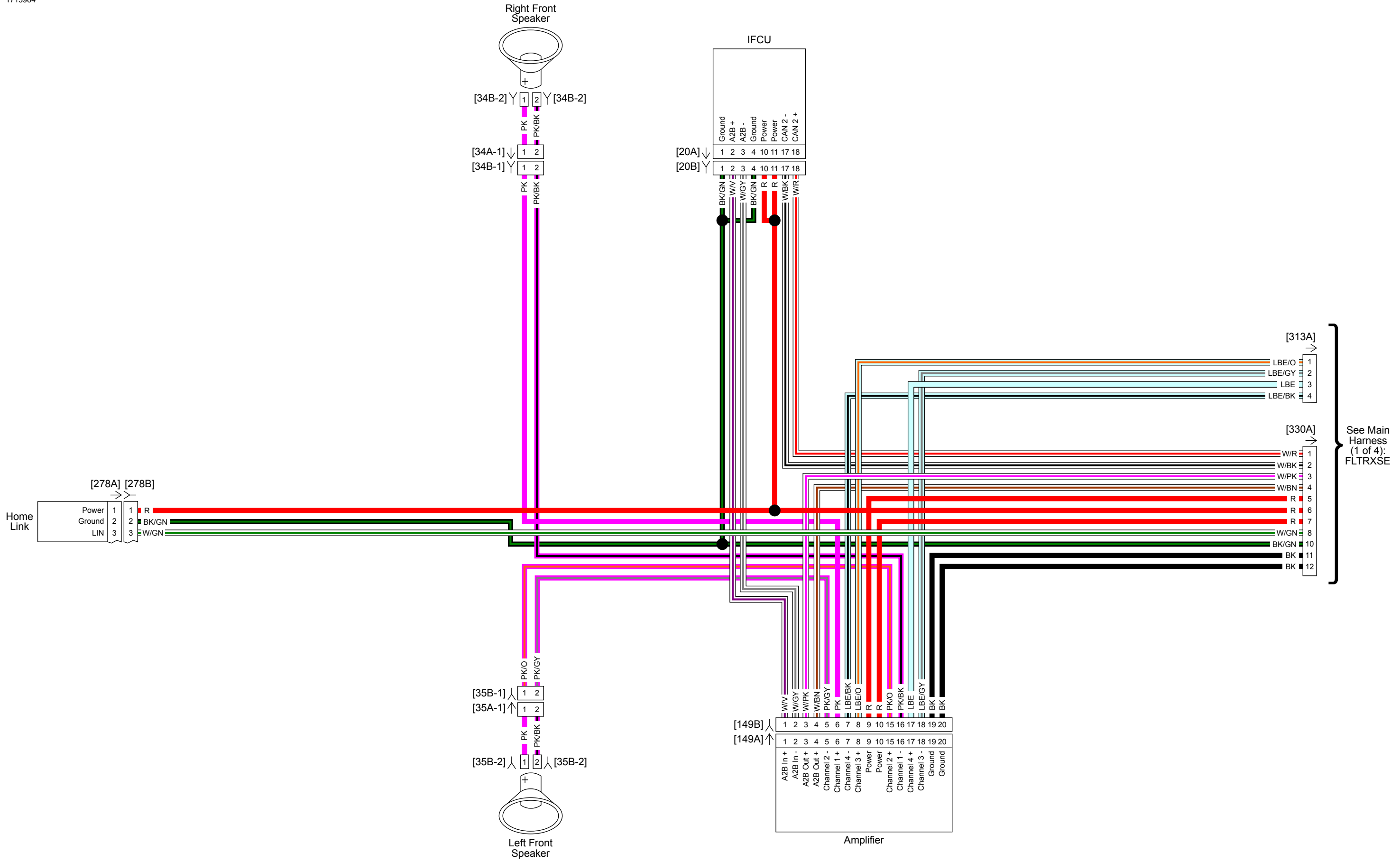


Ground Circuit: 2023 FLHXSE, FLTRXSE



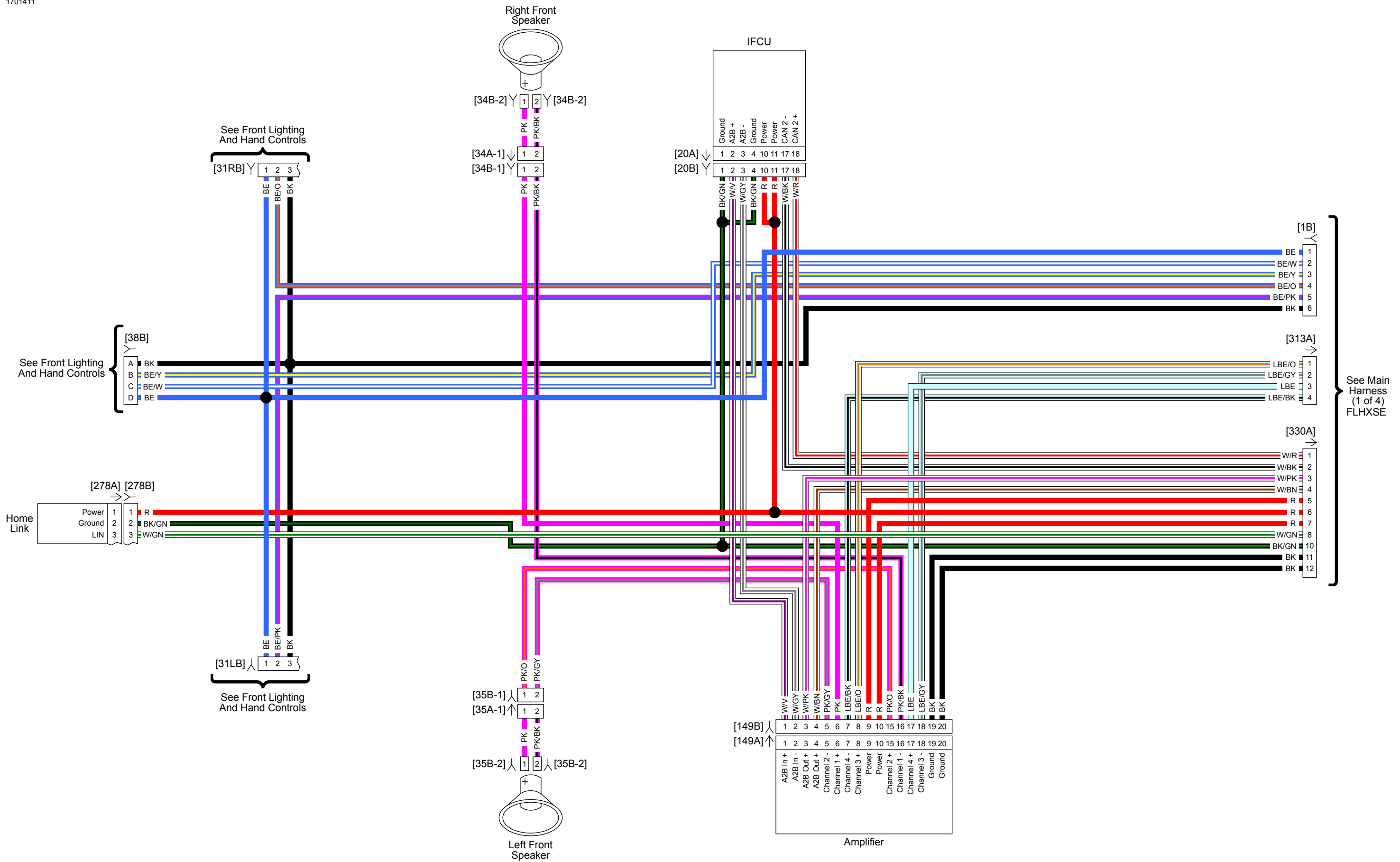
See Main Harness
(1 of 4): 2023
FLHXSE, FLTRXSE

Front Lighting and Hand Controls: 2023 FLHXSE, FLTRXSE

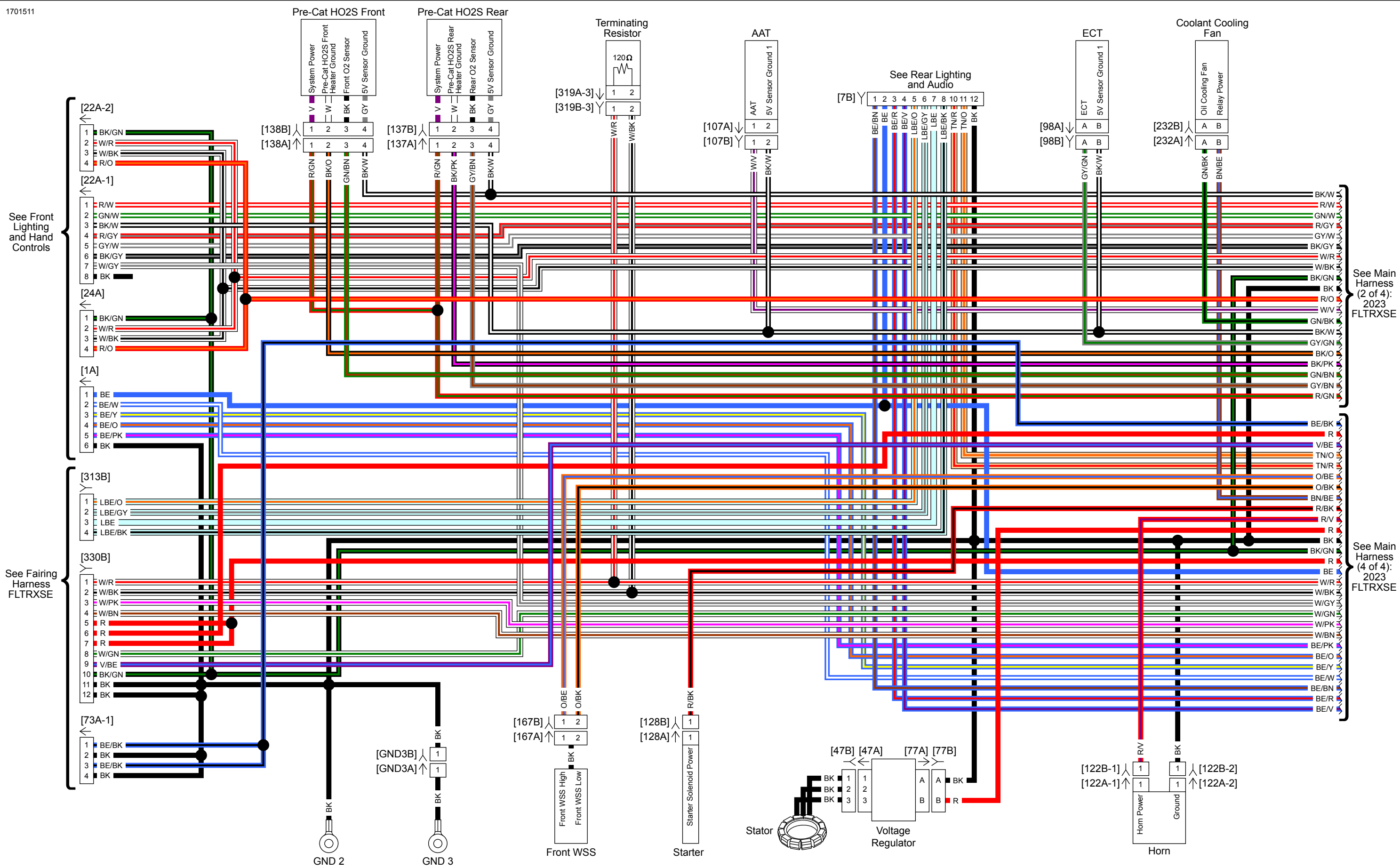


See Main Harness (1 of 4): FLTRXSE

Fairing Harness: 2023 FLTRXSE



Fairing Harness: 2023 FLHXSE



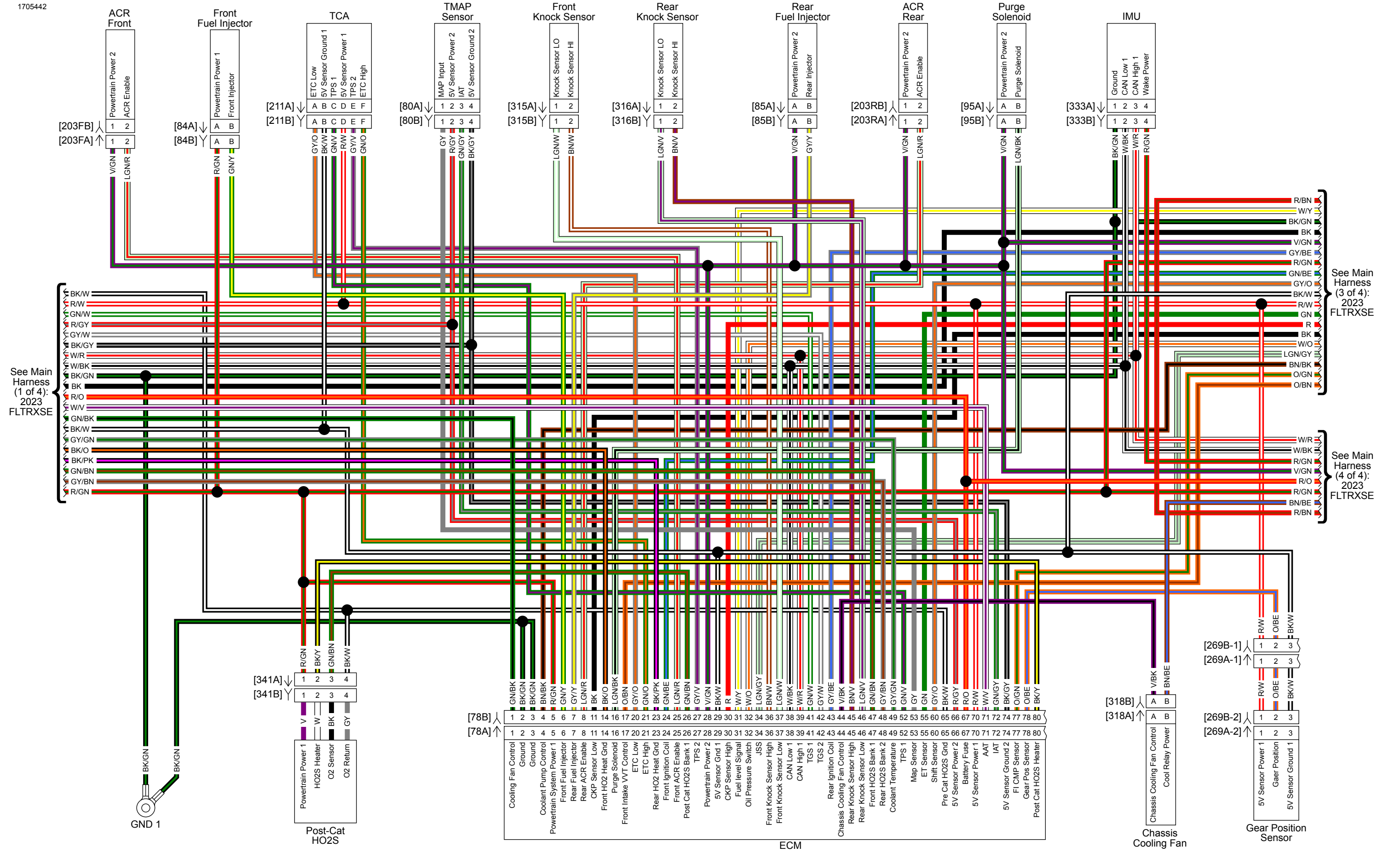
See Front Lighting and Hand Controls

See Fairing Harness FLTRXSE

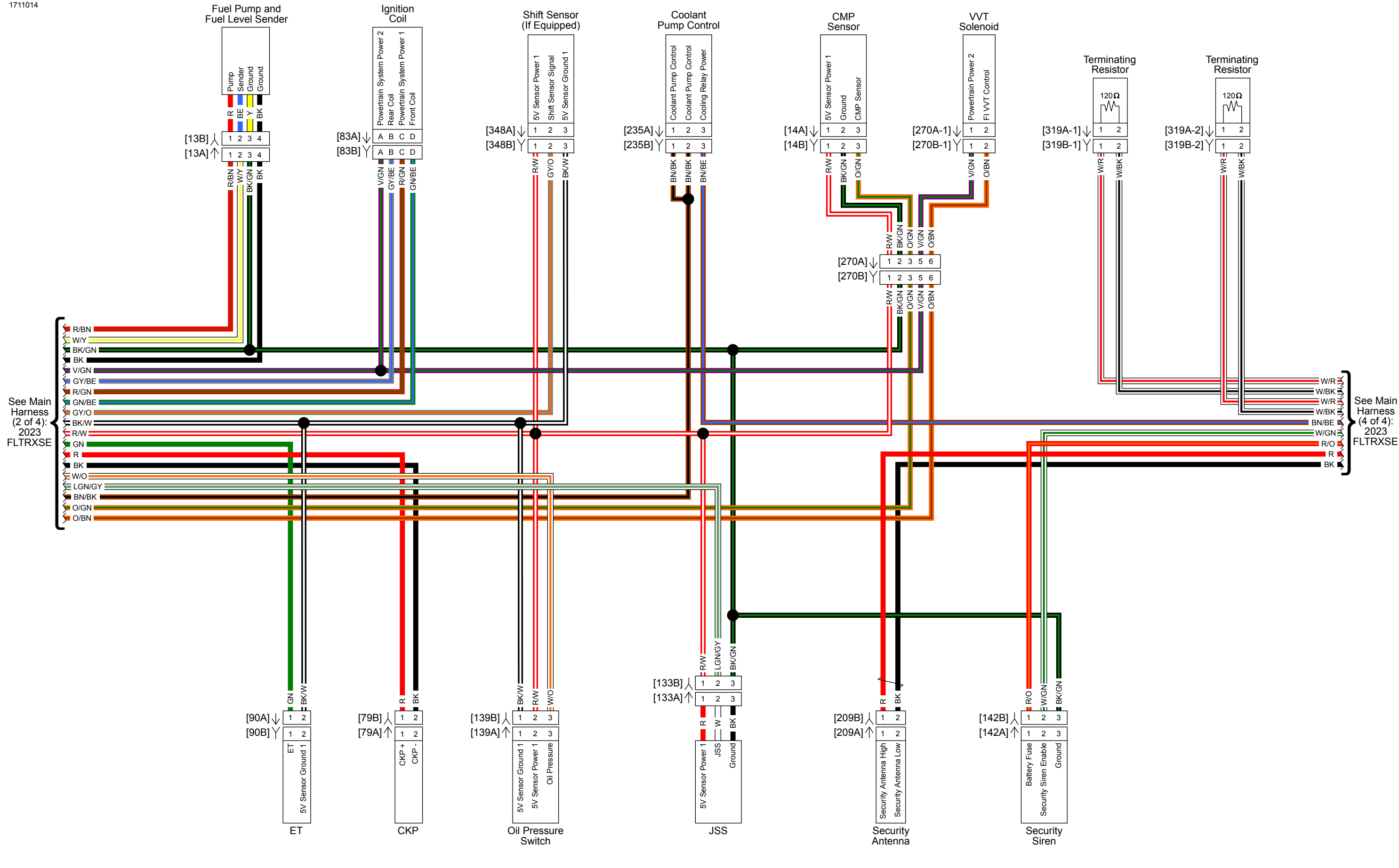
See Main Harness (2 of 4): 2023 FLTRXSE

See Main Harness (4 of 4): 2023 FLTRXSE

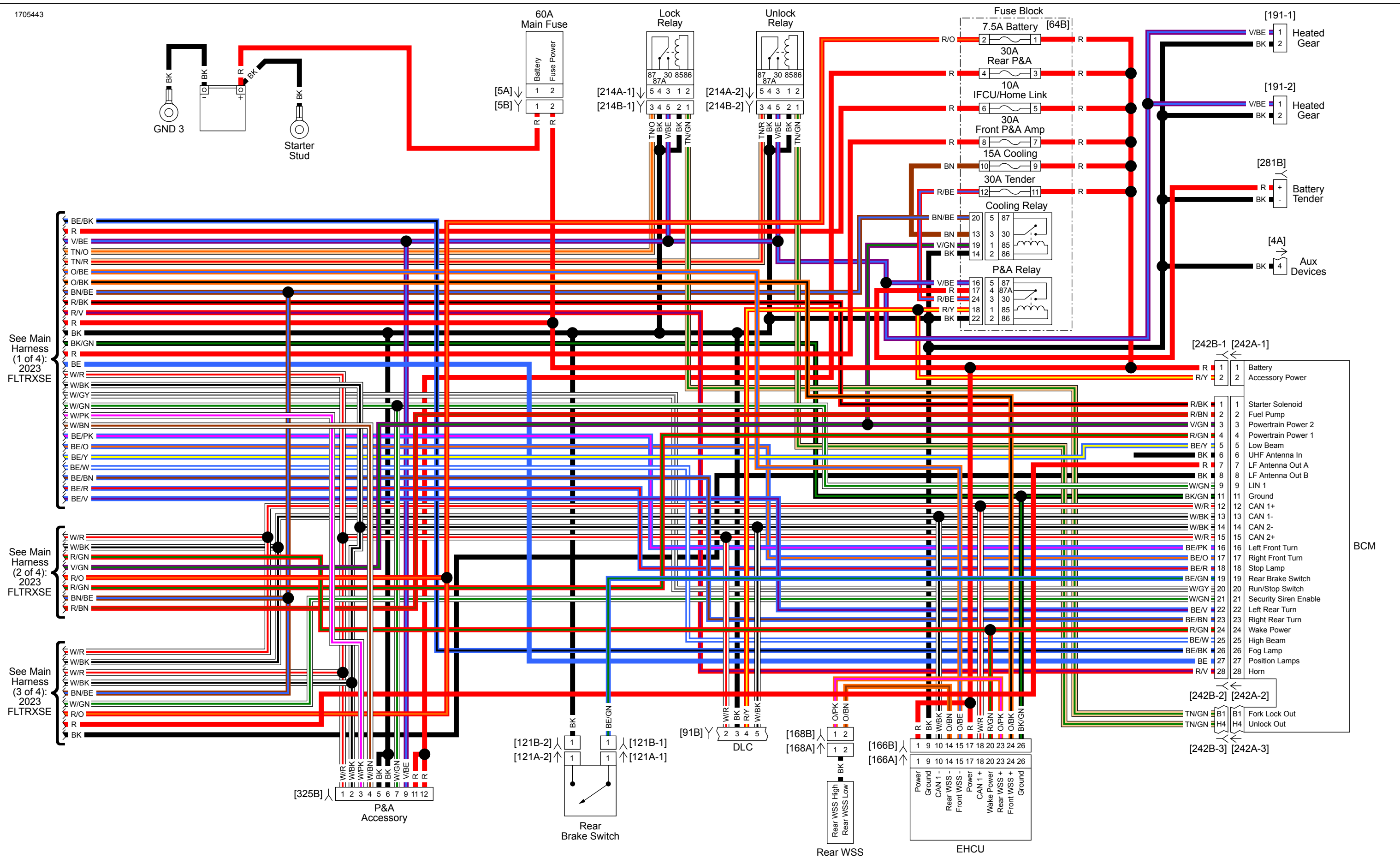
Main Harness (1 of 4): 2023 FLTRXSE



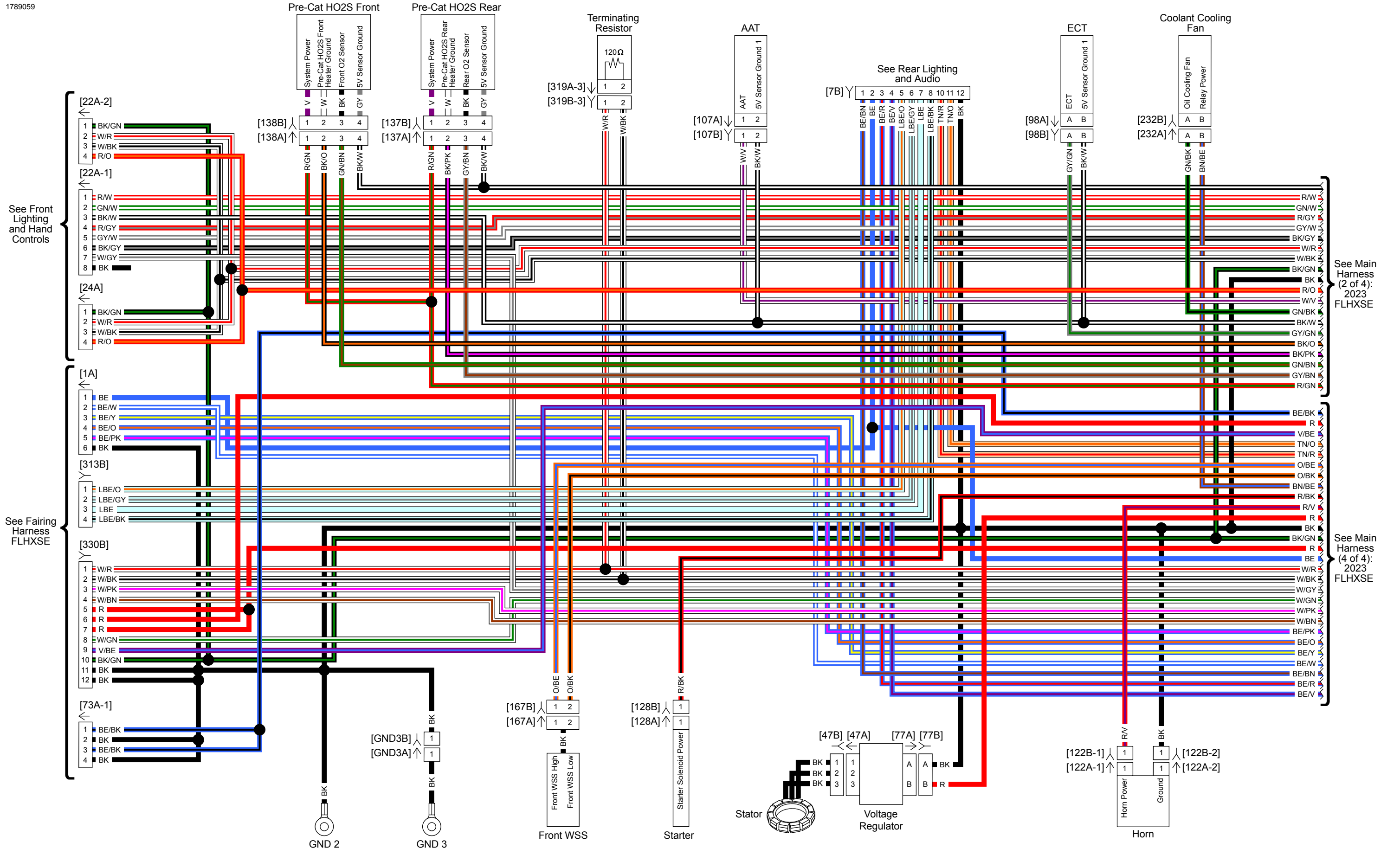
Main Harness (2 of 4): 2023 FLTRXSE



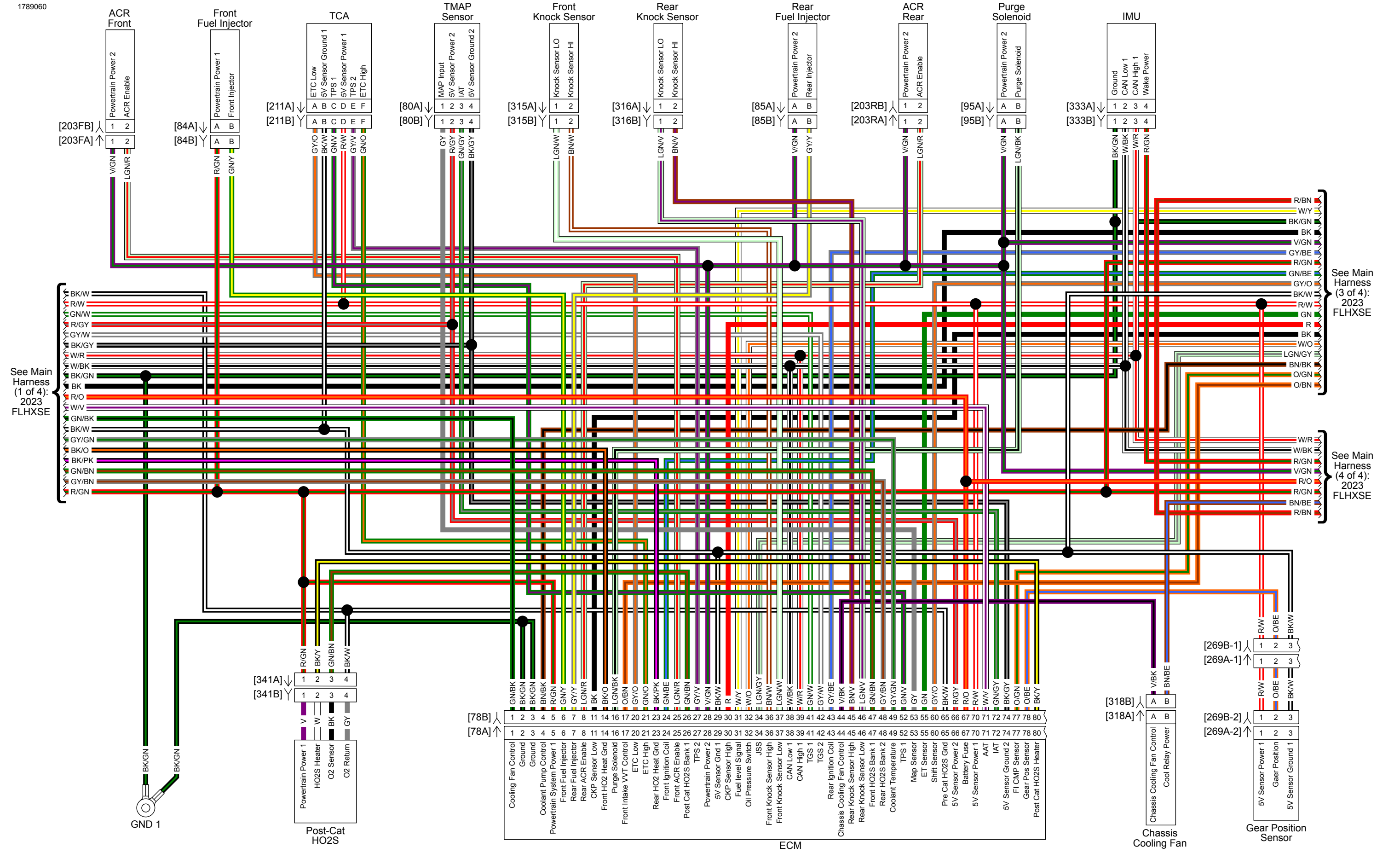
Main Harness (3 of 4): 2023 FLTRXSE



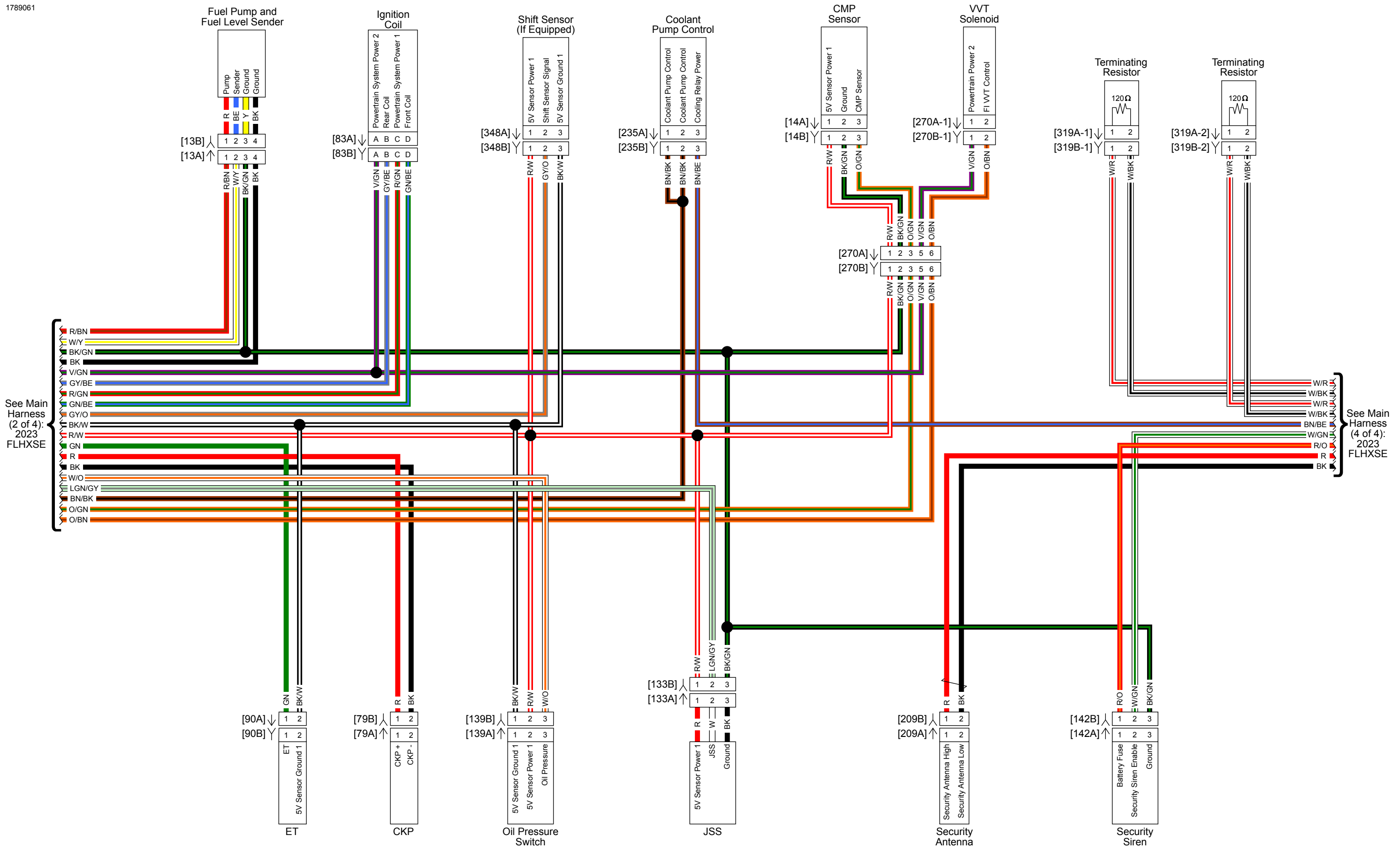
Main Harness (4 of 4): 2023 FLTRXSE



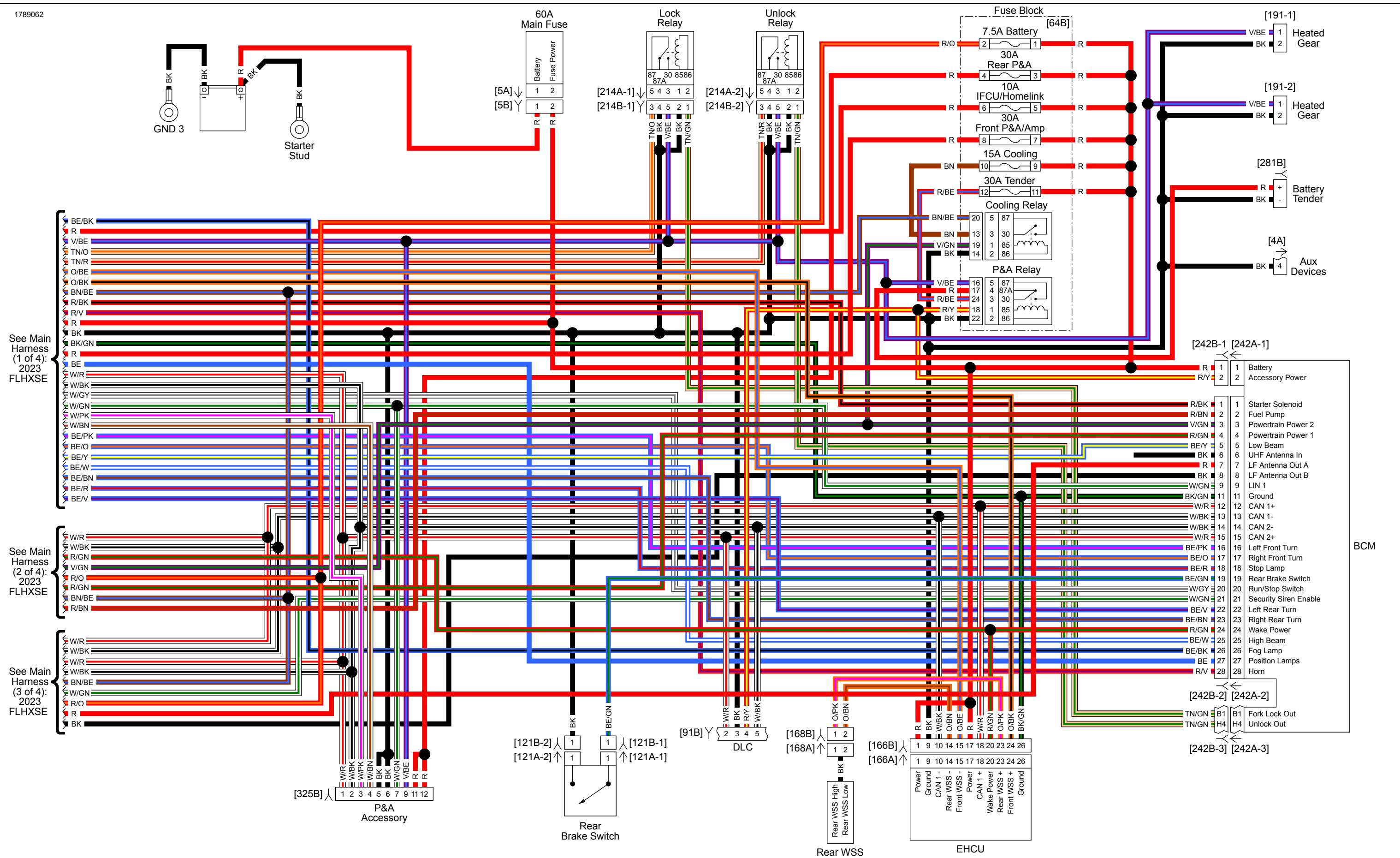
Main Harness (1 of 4): 2023 FLHXSE



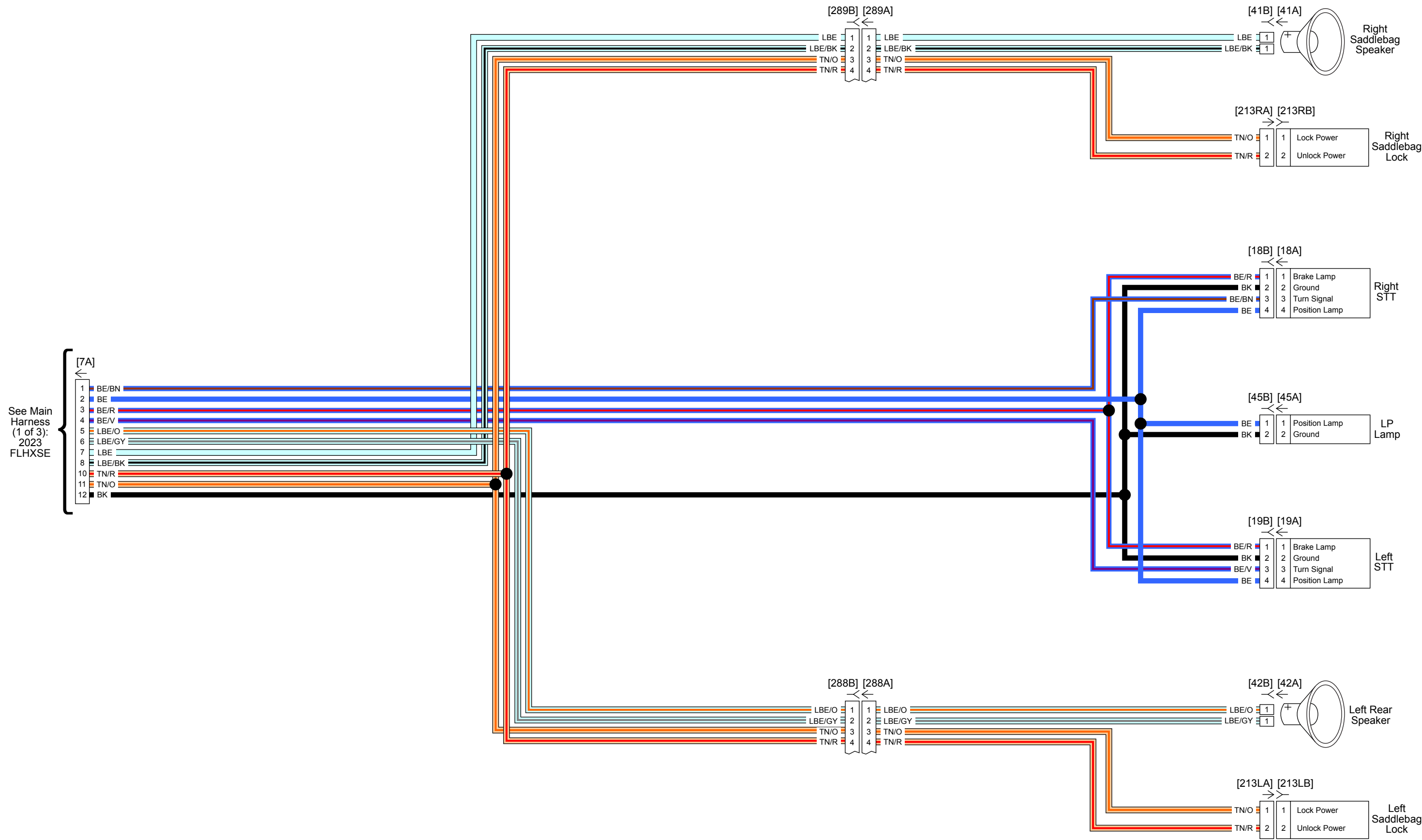
Main Harness (2 of 4): 2023 FLHXSE



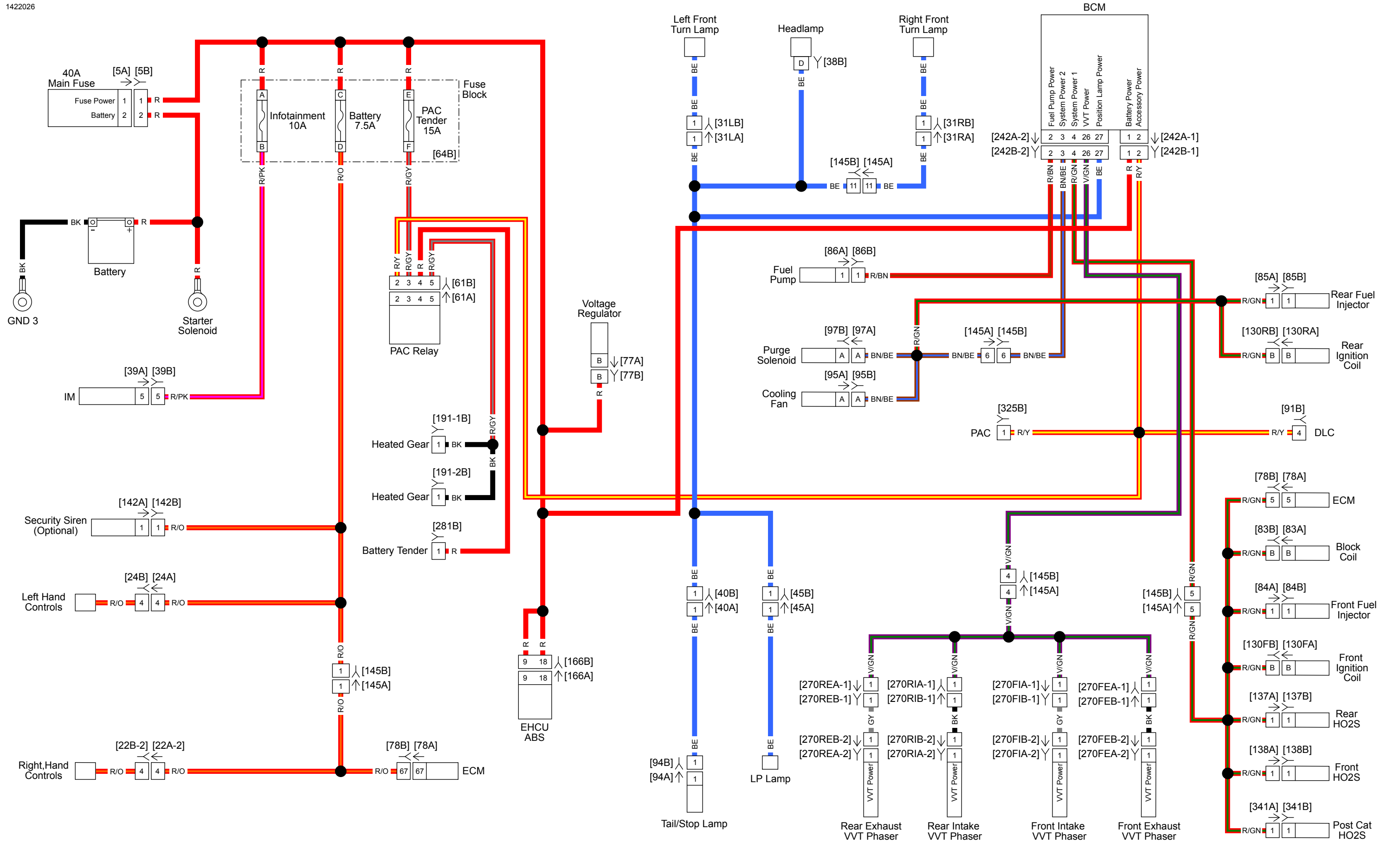
Main Harness (3 of 4): 2023 FLHXSE



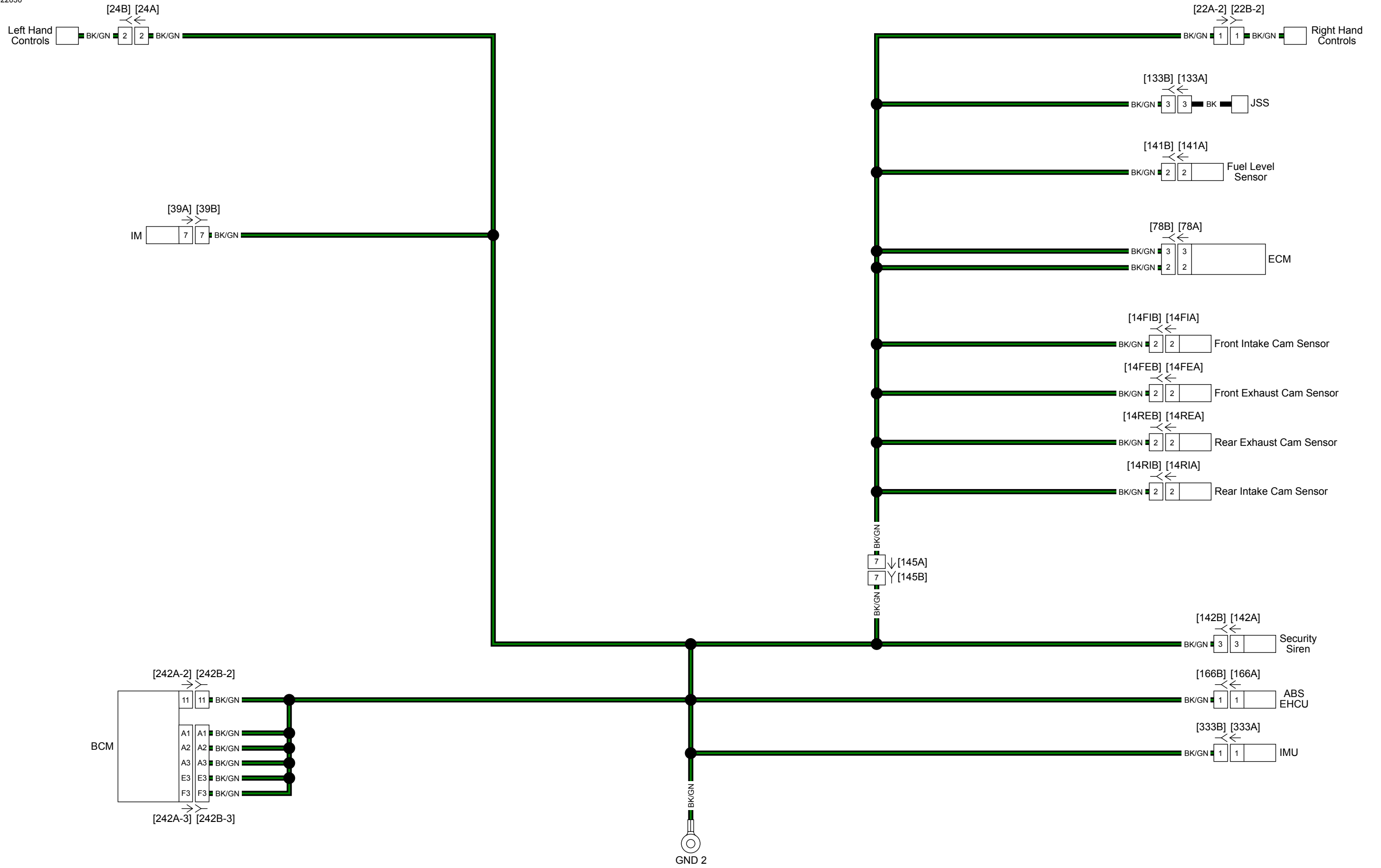
Main Harness (4 of 4): 2023 FLHXSE



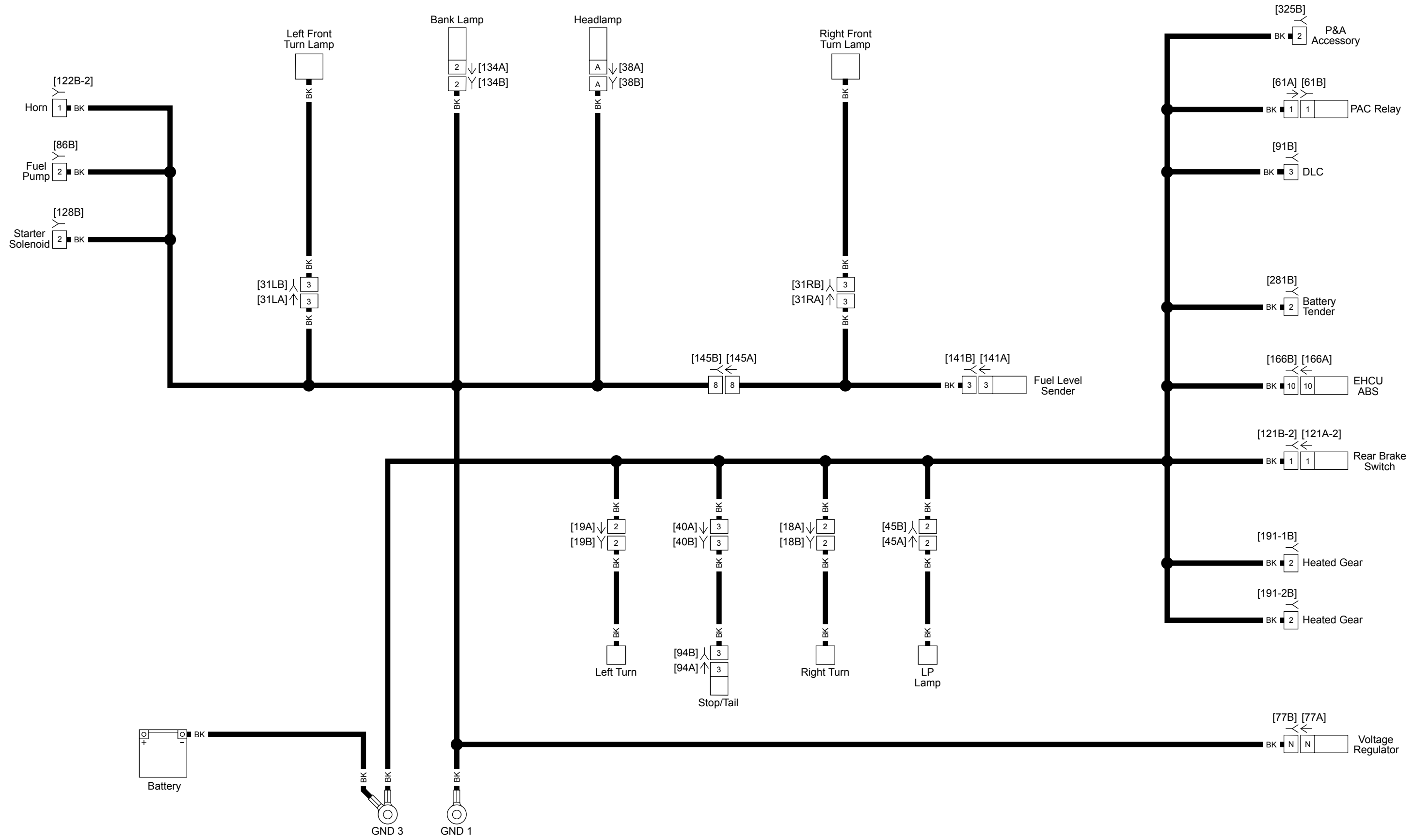
Rear Lighting and Audio: 2023 FLHXSE, FLTRXSE



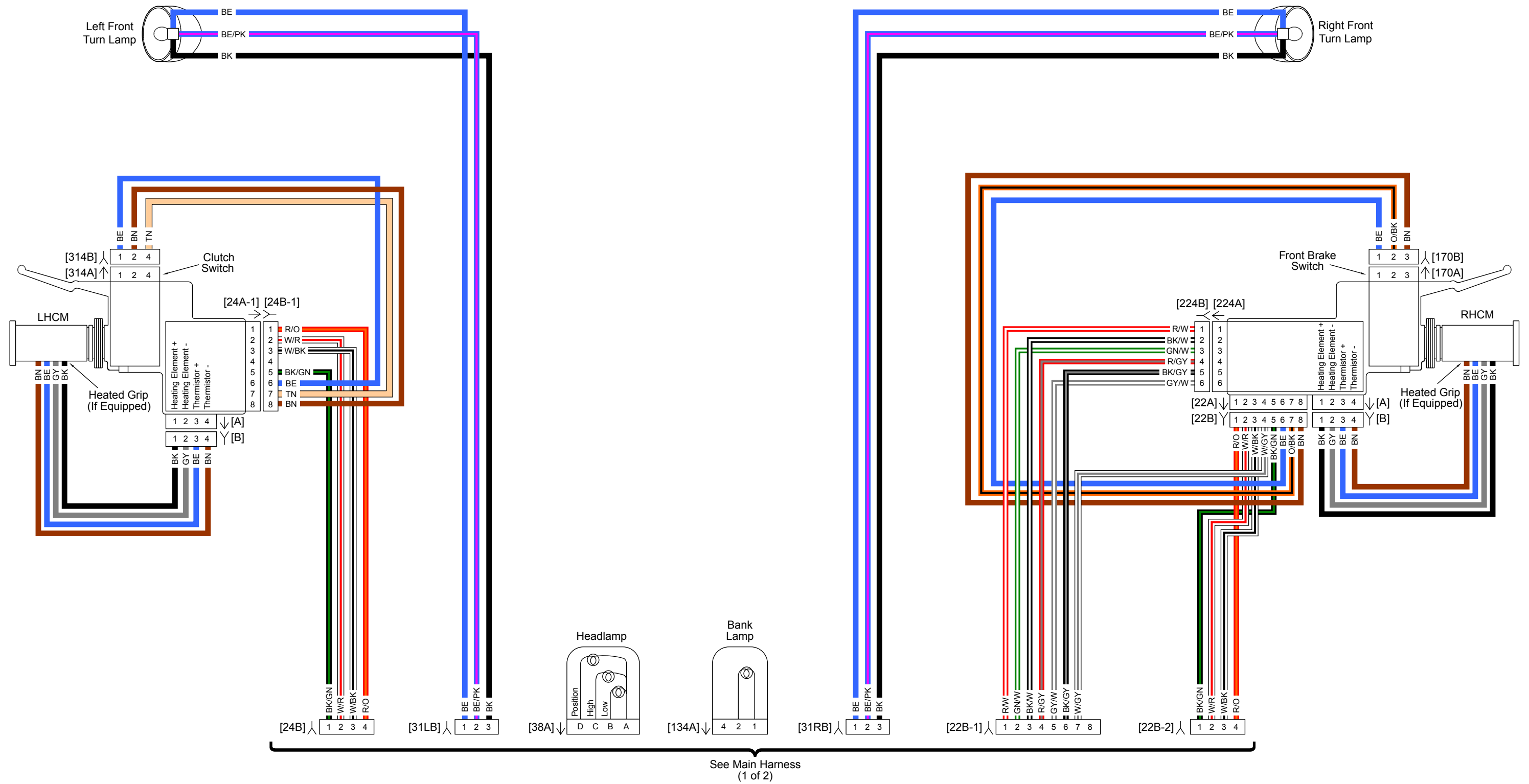
Power Distribution: 2023 Pan America



Sensor Grounds: 2023 Pan America



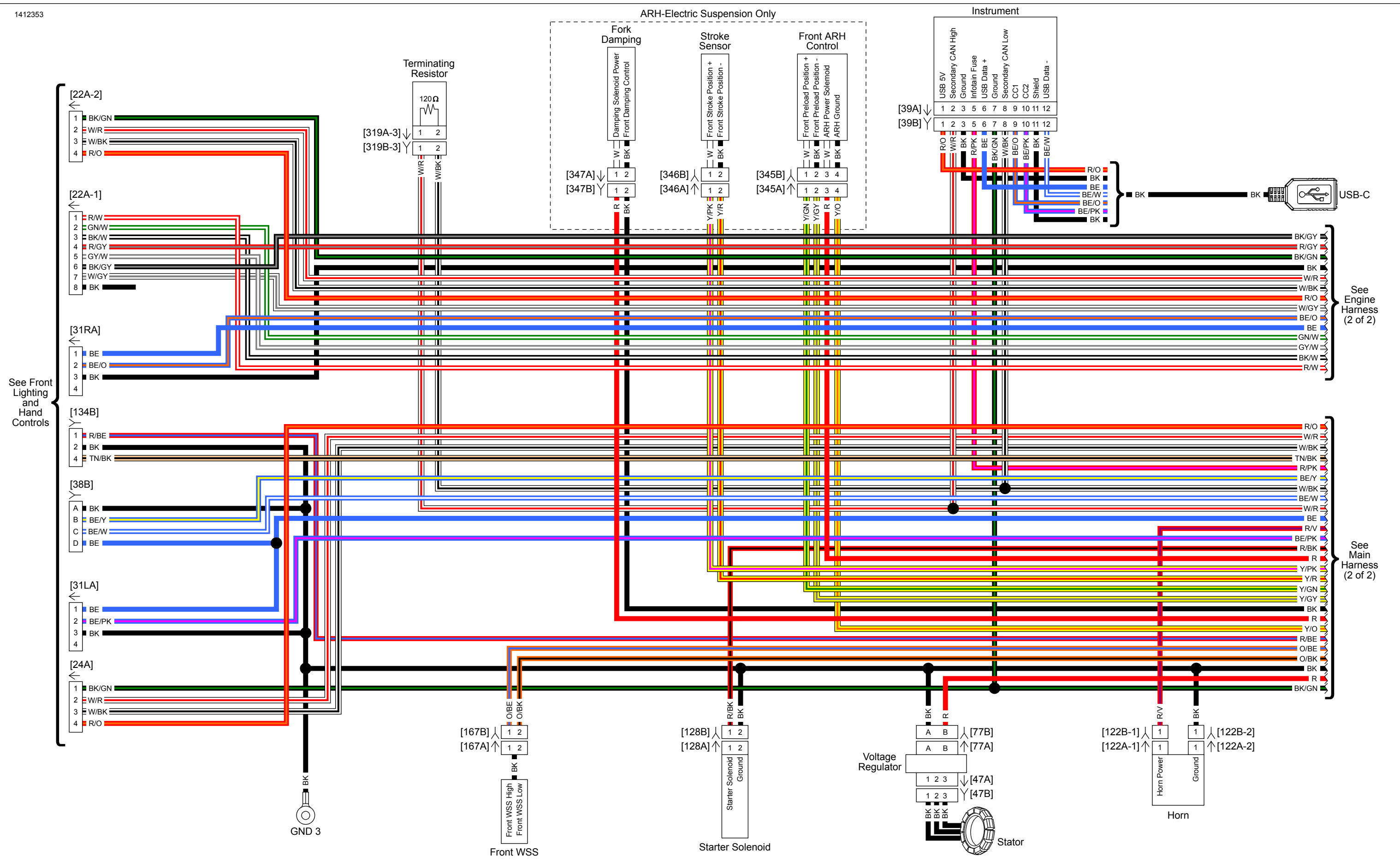
Ground Circuit: 2023 Pan America



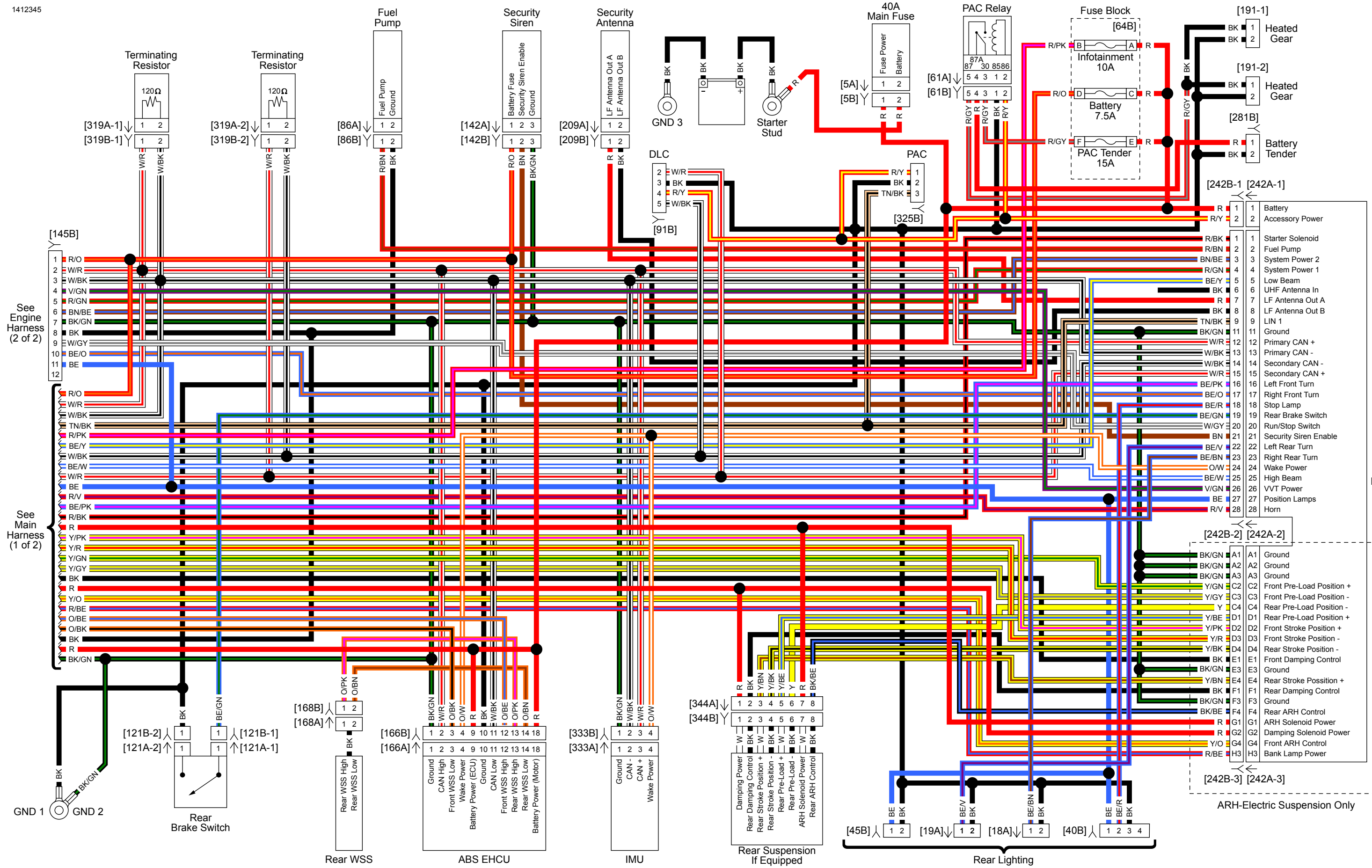
Front Lighting and Hand Controls: 2023 Pan America

ARH-Electric Suspension Only

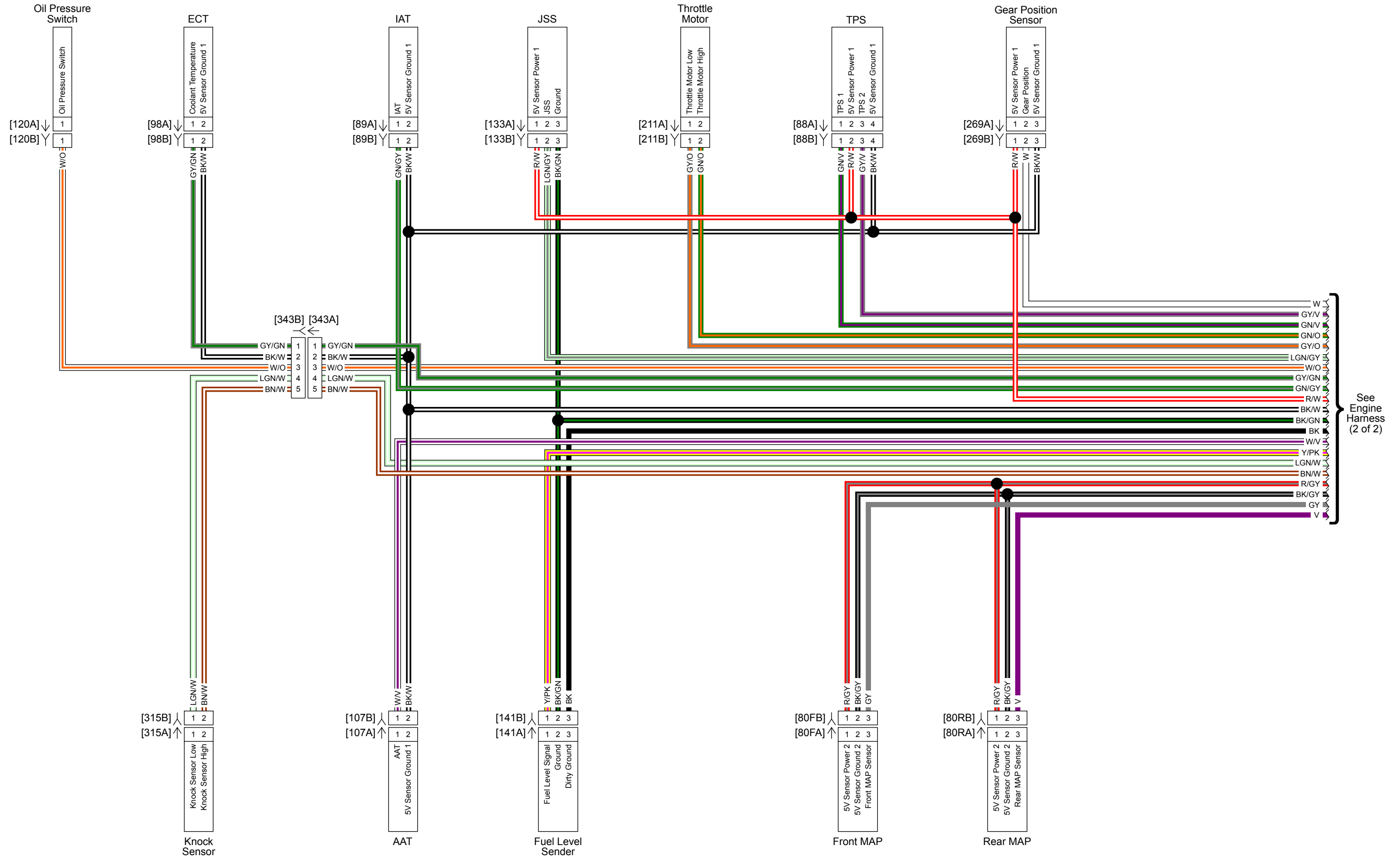
Instrument



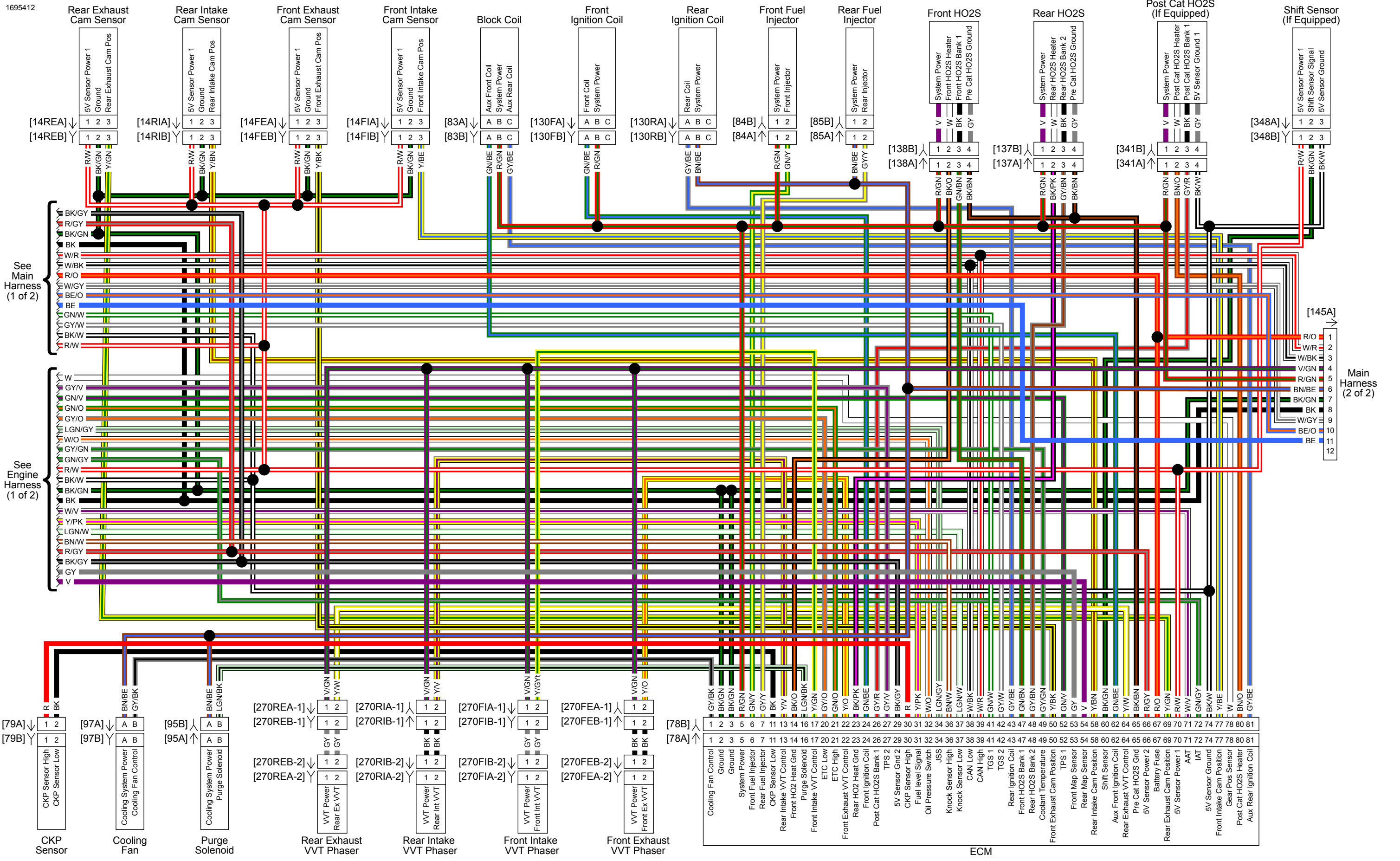
Main Harness 1 of 2: 2023 Pan America



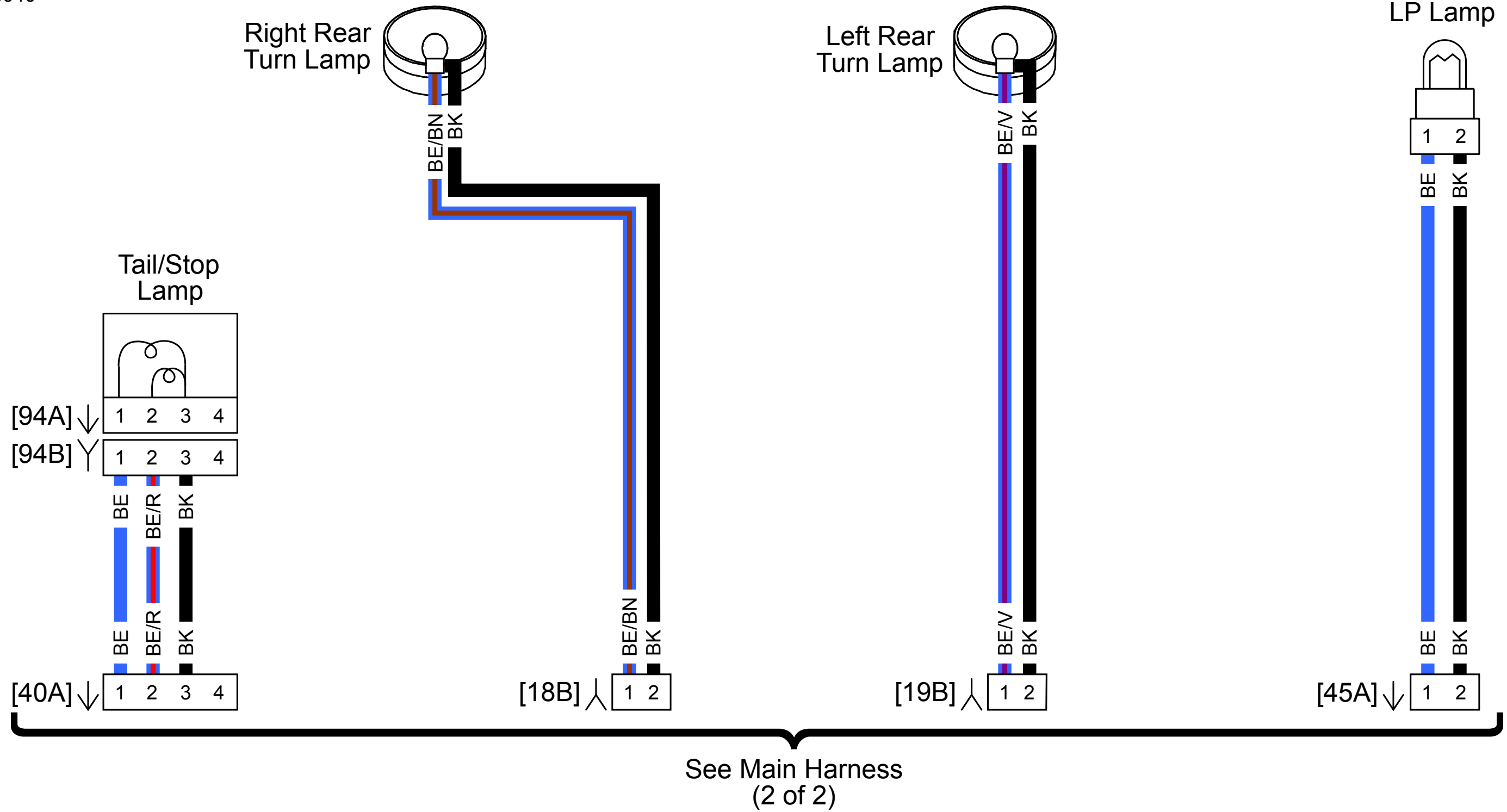
Main Harness 2 of 2: 2023 Pan America



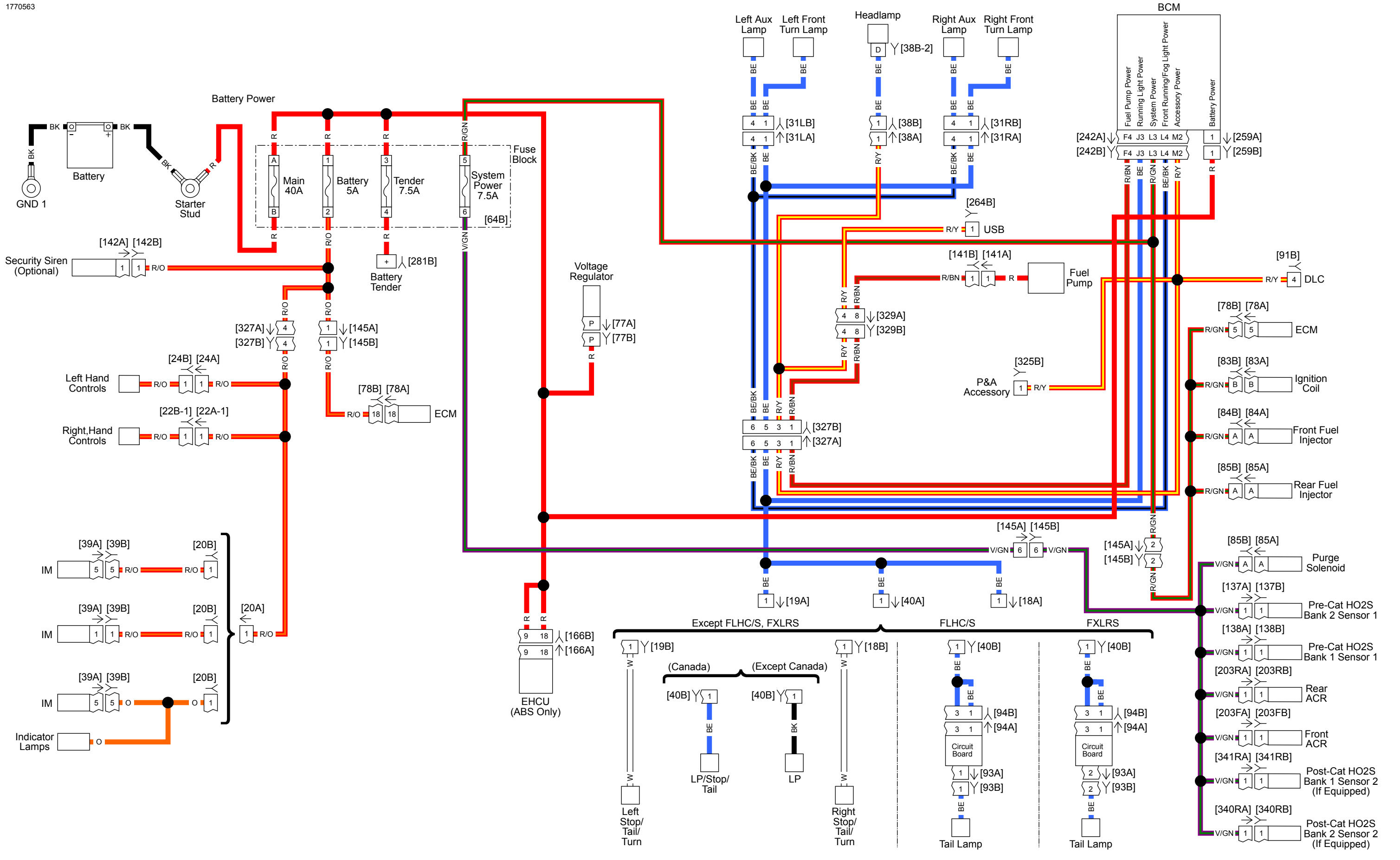
Engine Harness 1 of 2: 2023 Pan America



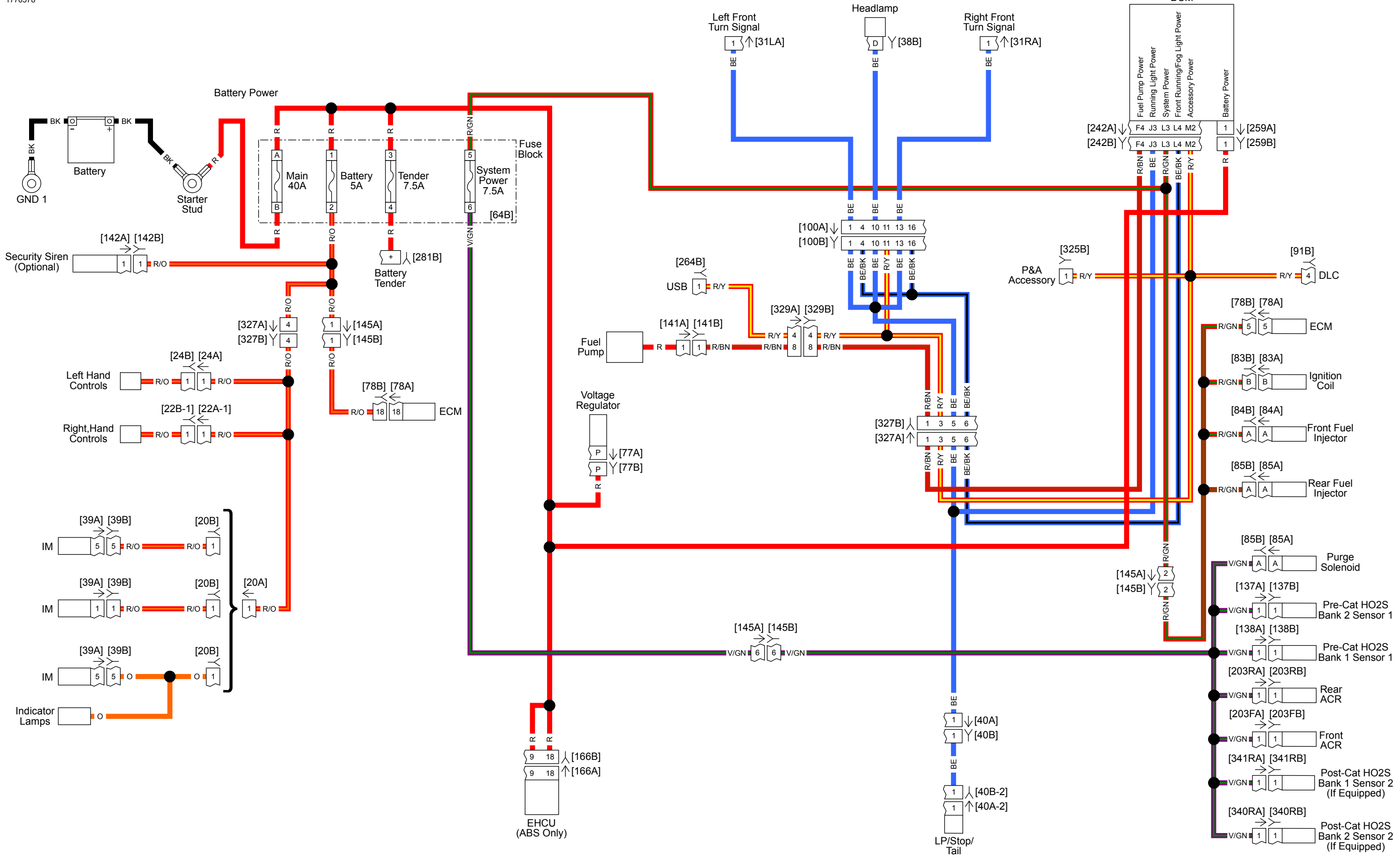
Engine Harness 2 of 2: 2023 Pan America



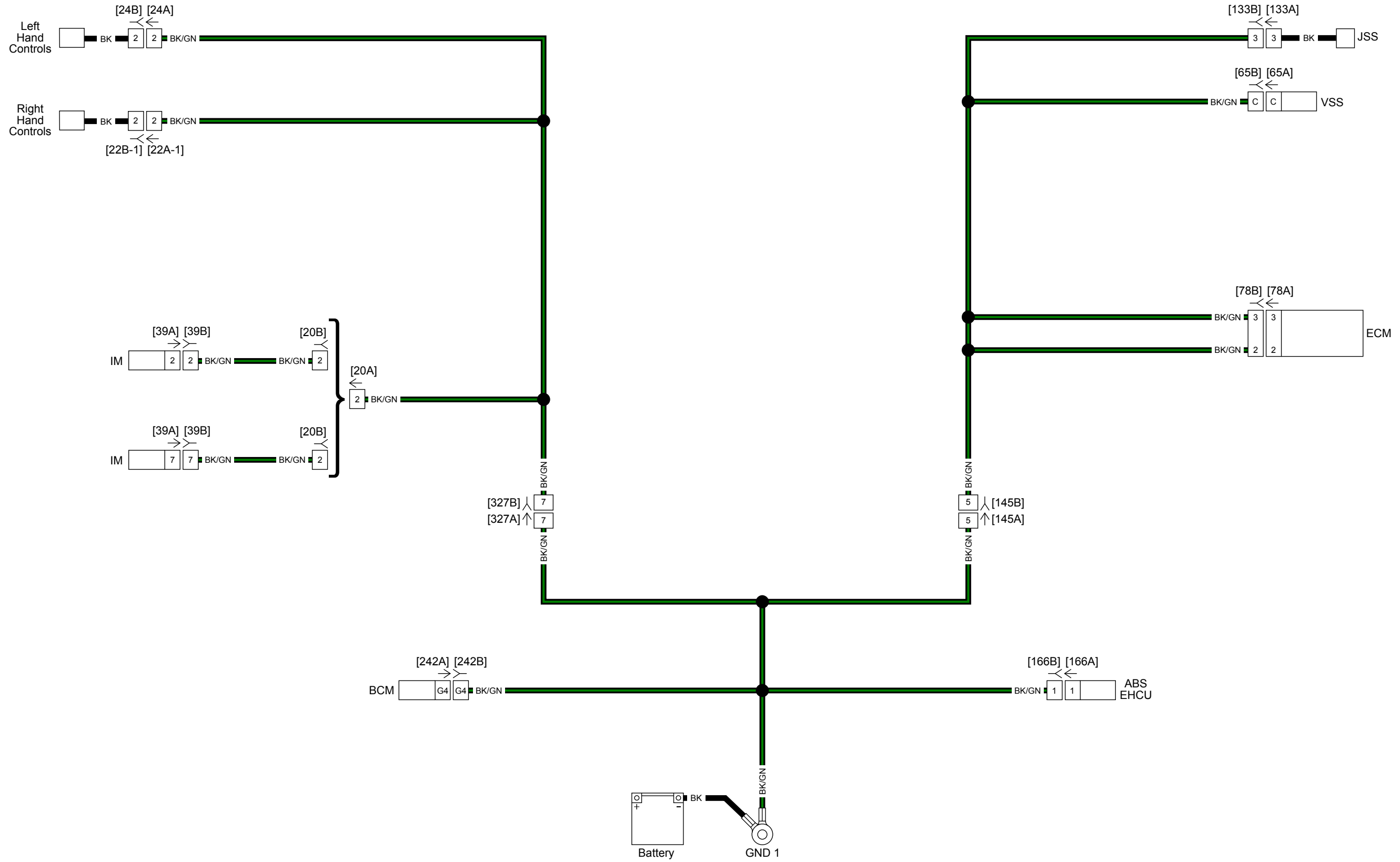
Rear Lighting: 2023 Pan America



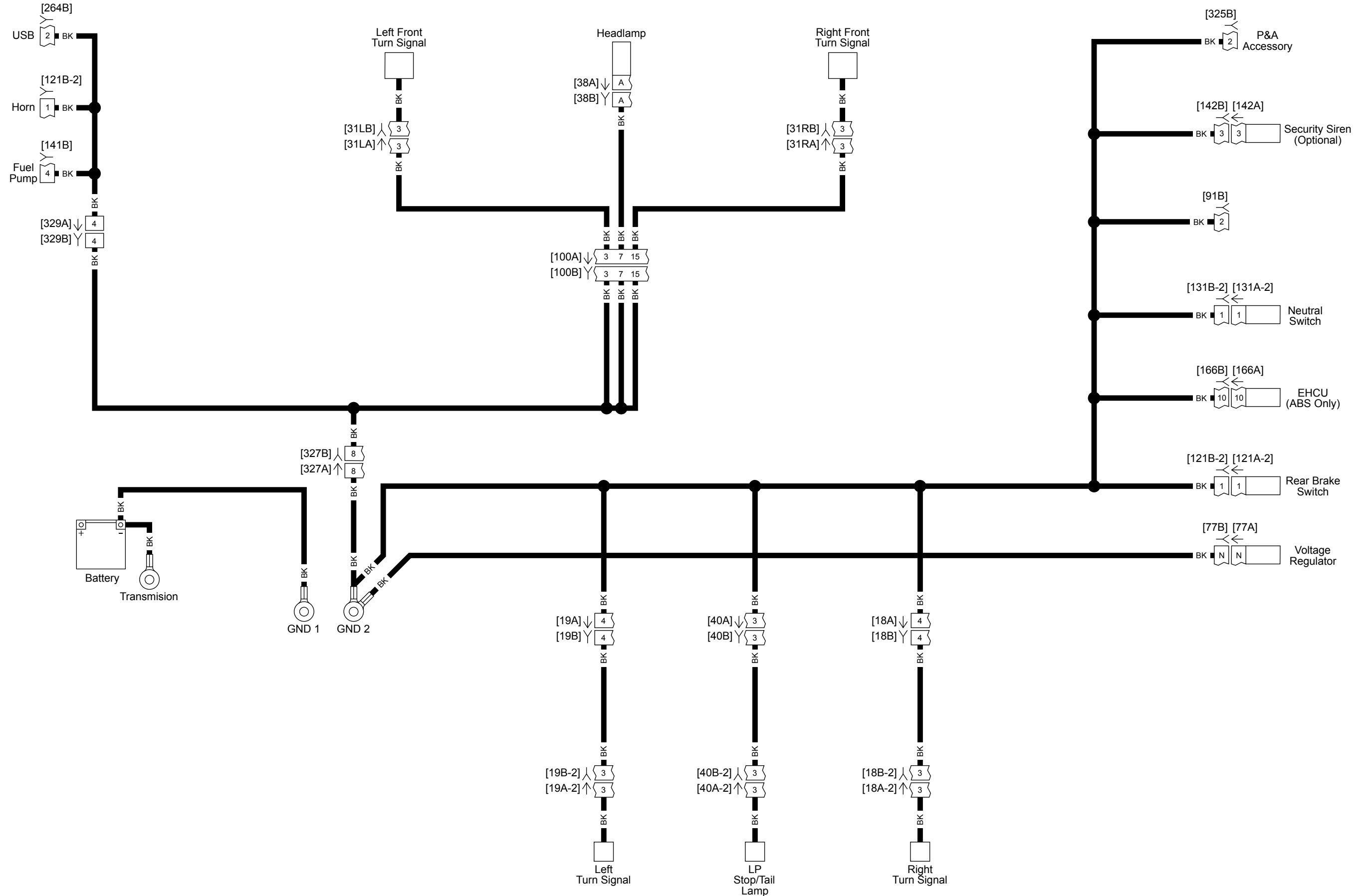
Power Distribution (Except FXLRST, FXRST): 2023 Softail



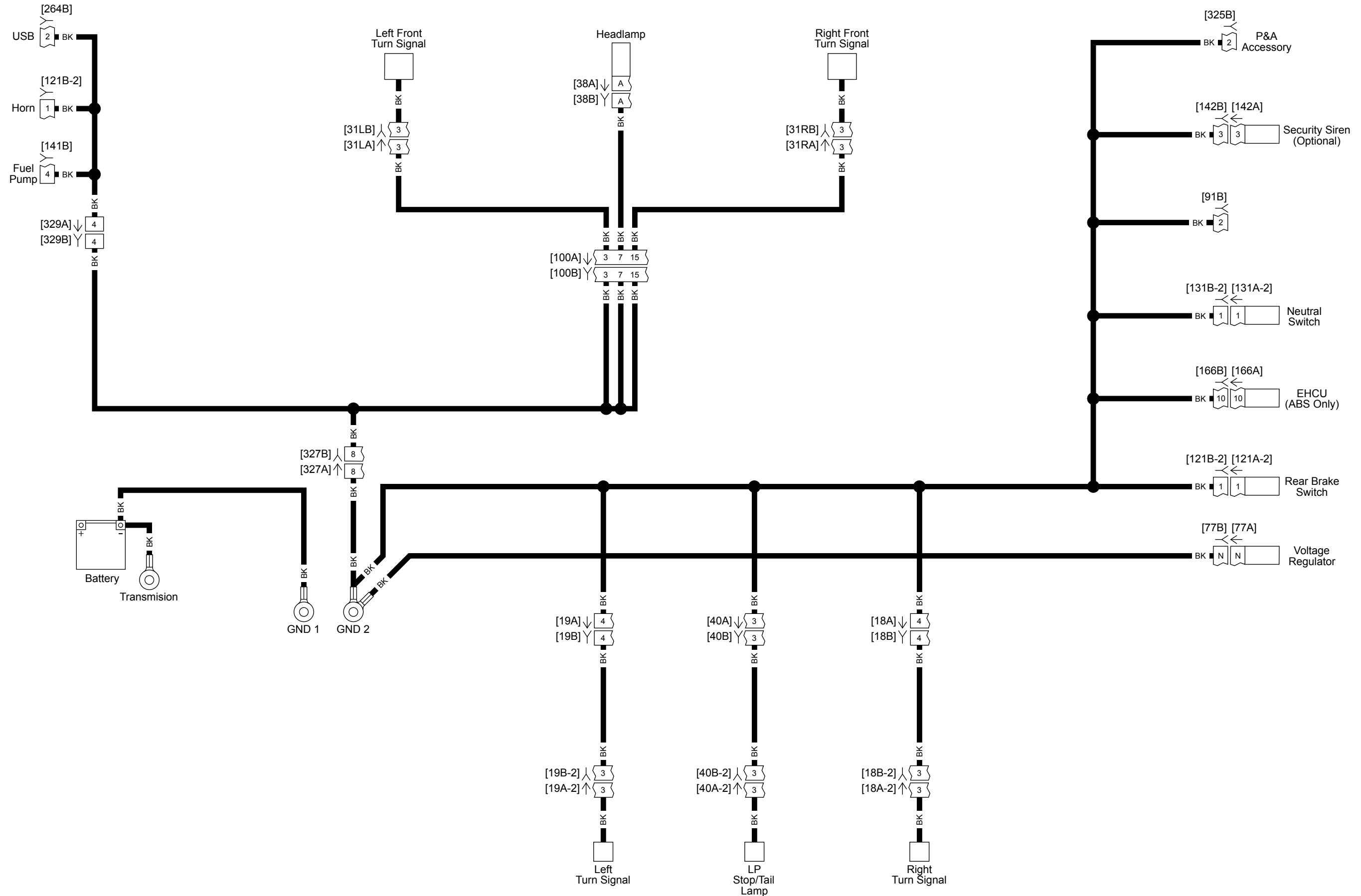
Power Distribution (FXLRST): 2023 Softail



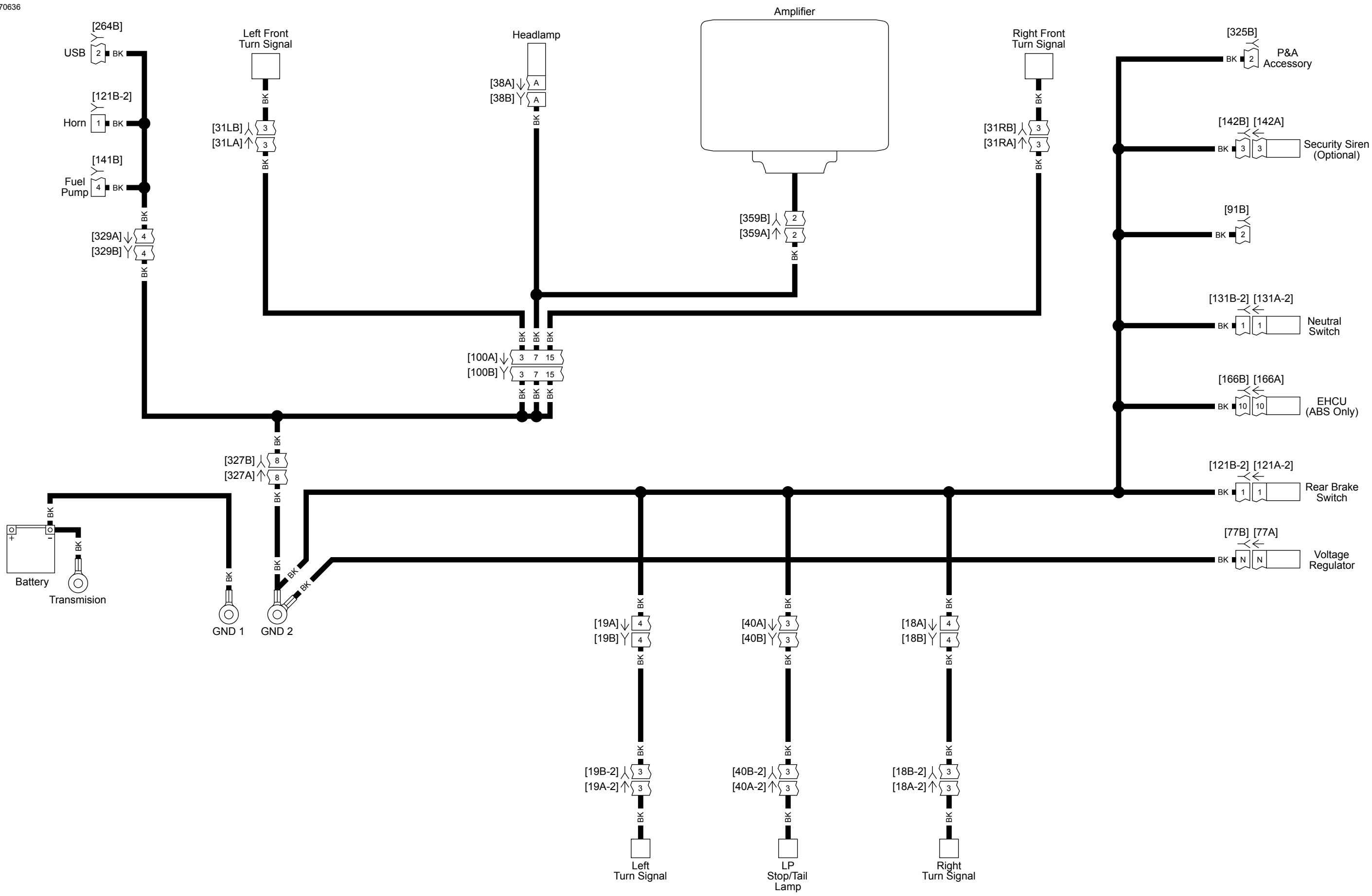
Sensor Grounds: 2023 Softail



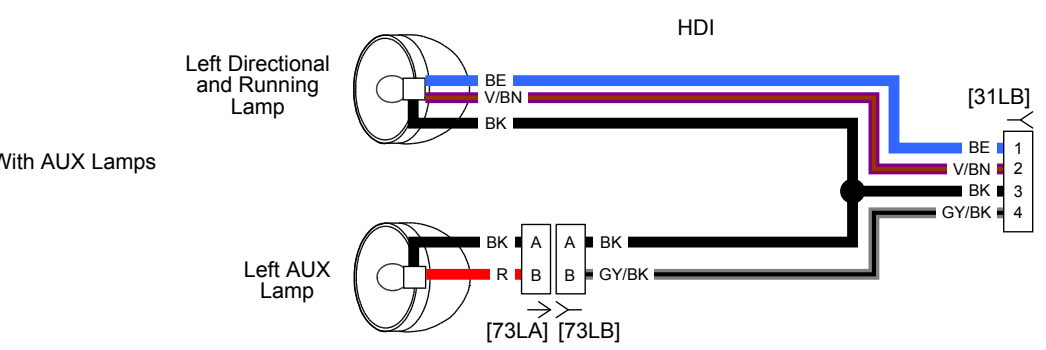
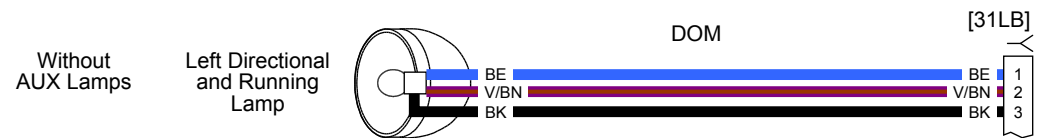
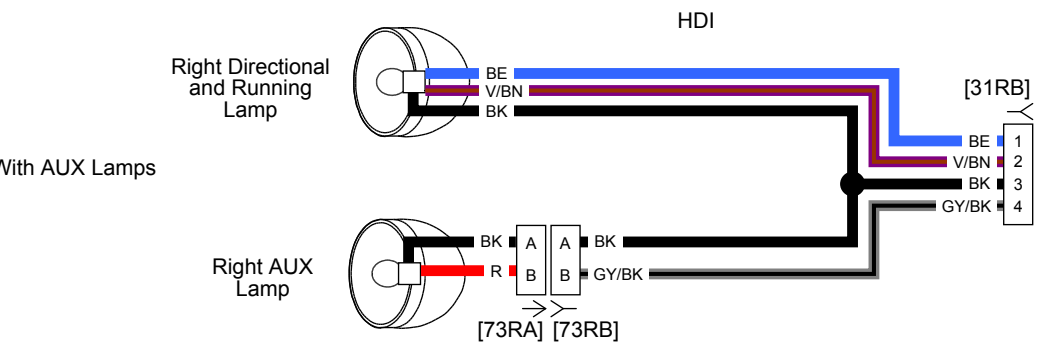
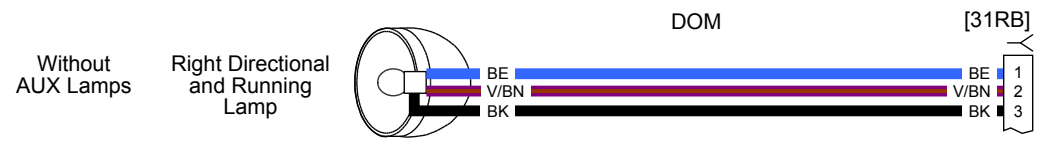
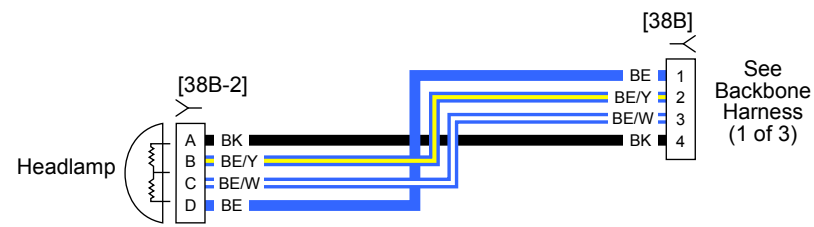
Ground Circuit (Except FXLRST, FXRST): 2023 Softail



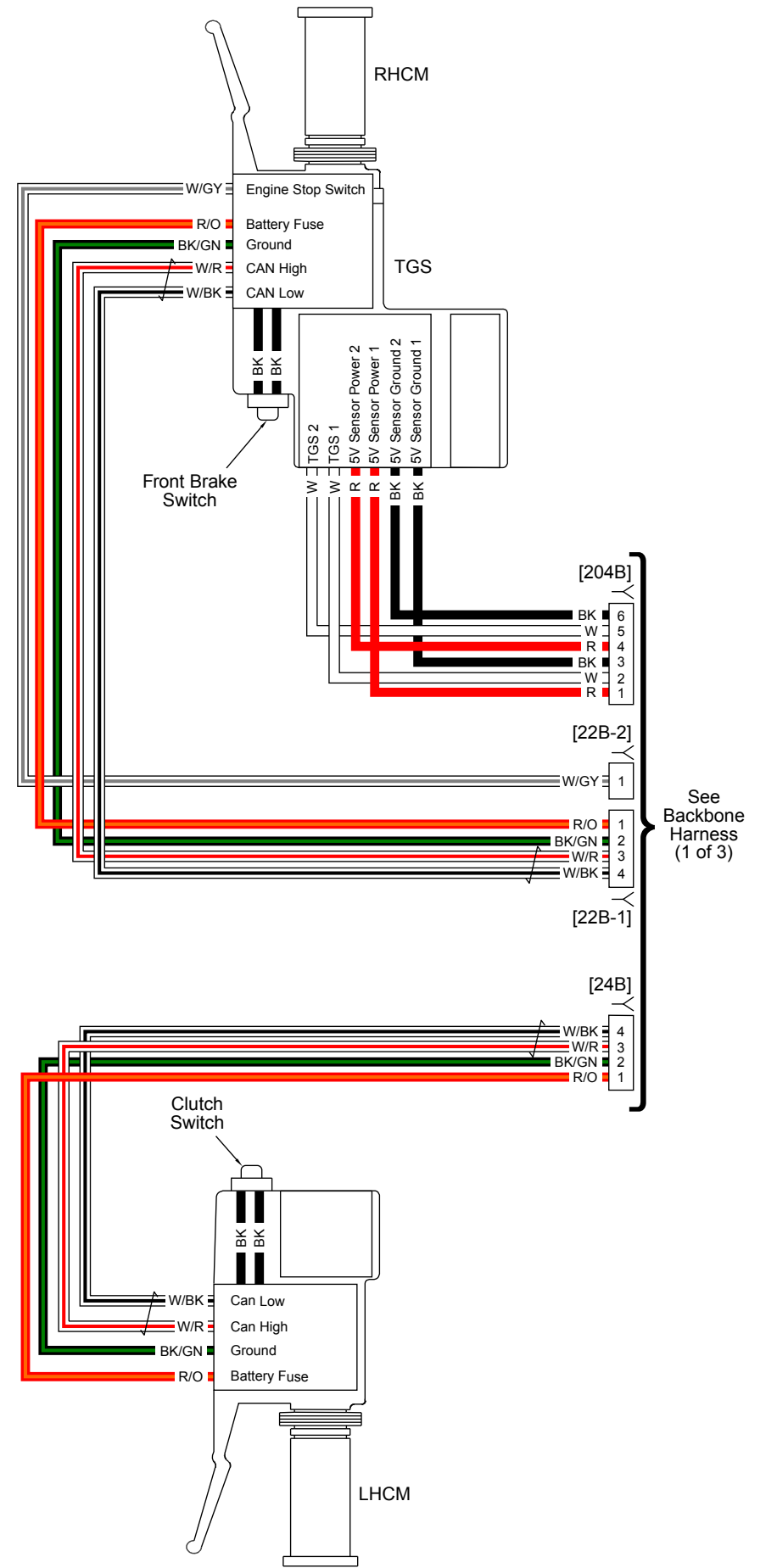
Ground Circuit (FXLRST): 2023 Softail



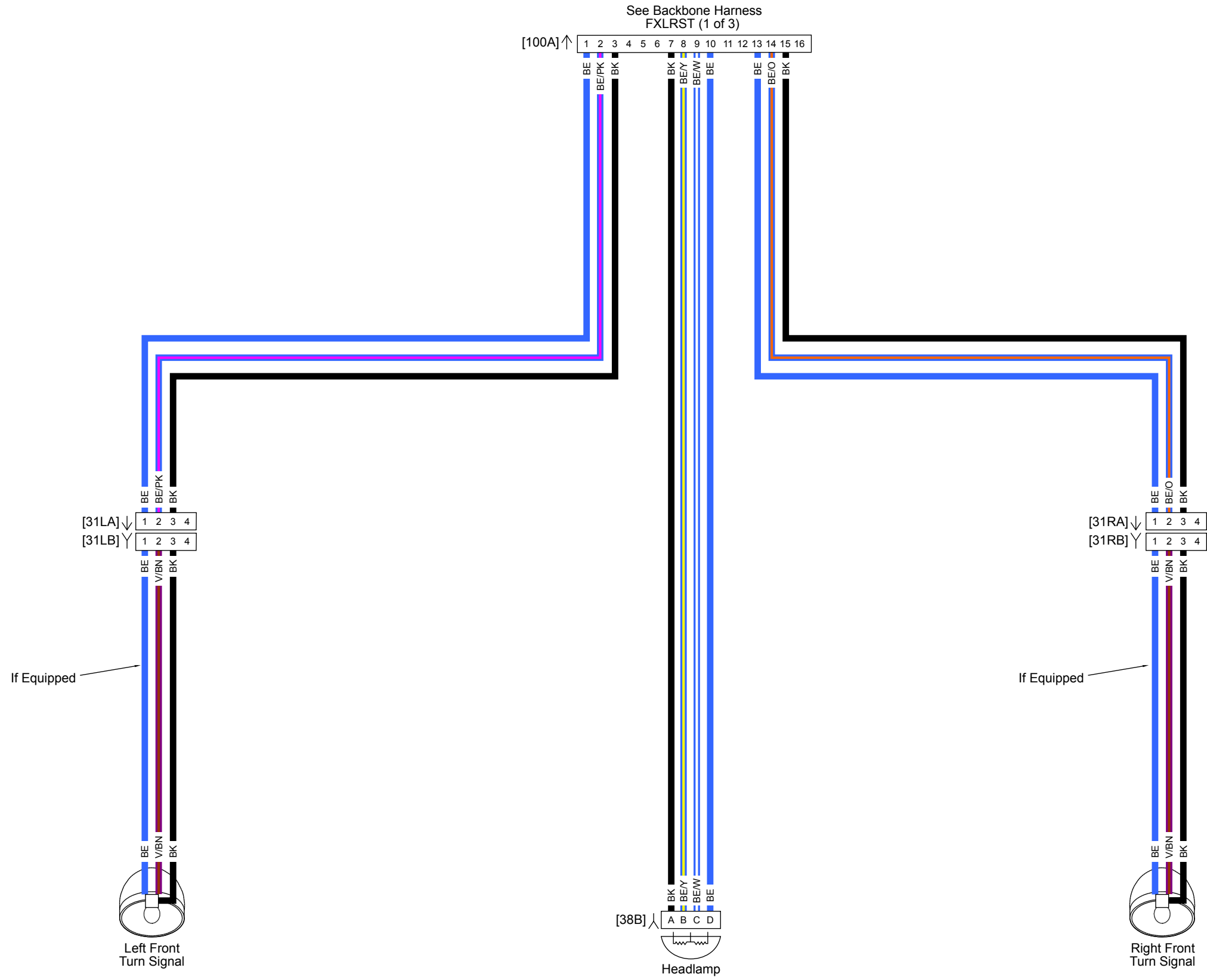
Ground Circuit (FXRST): 2023 Softail



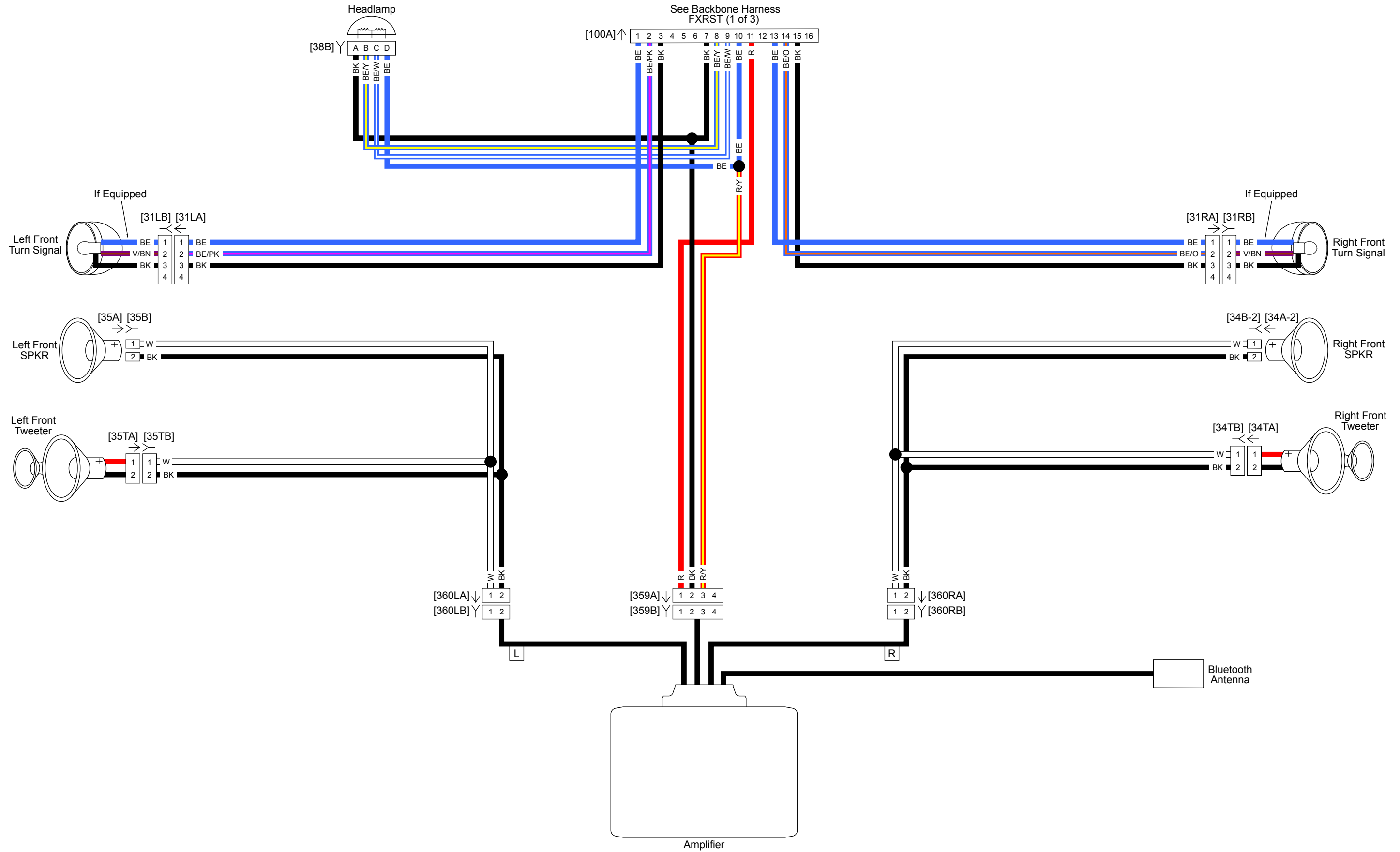
See Backbone Harness (1 of 3)



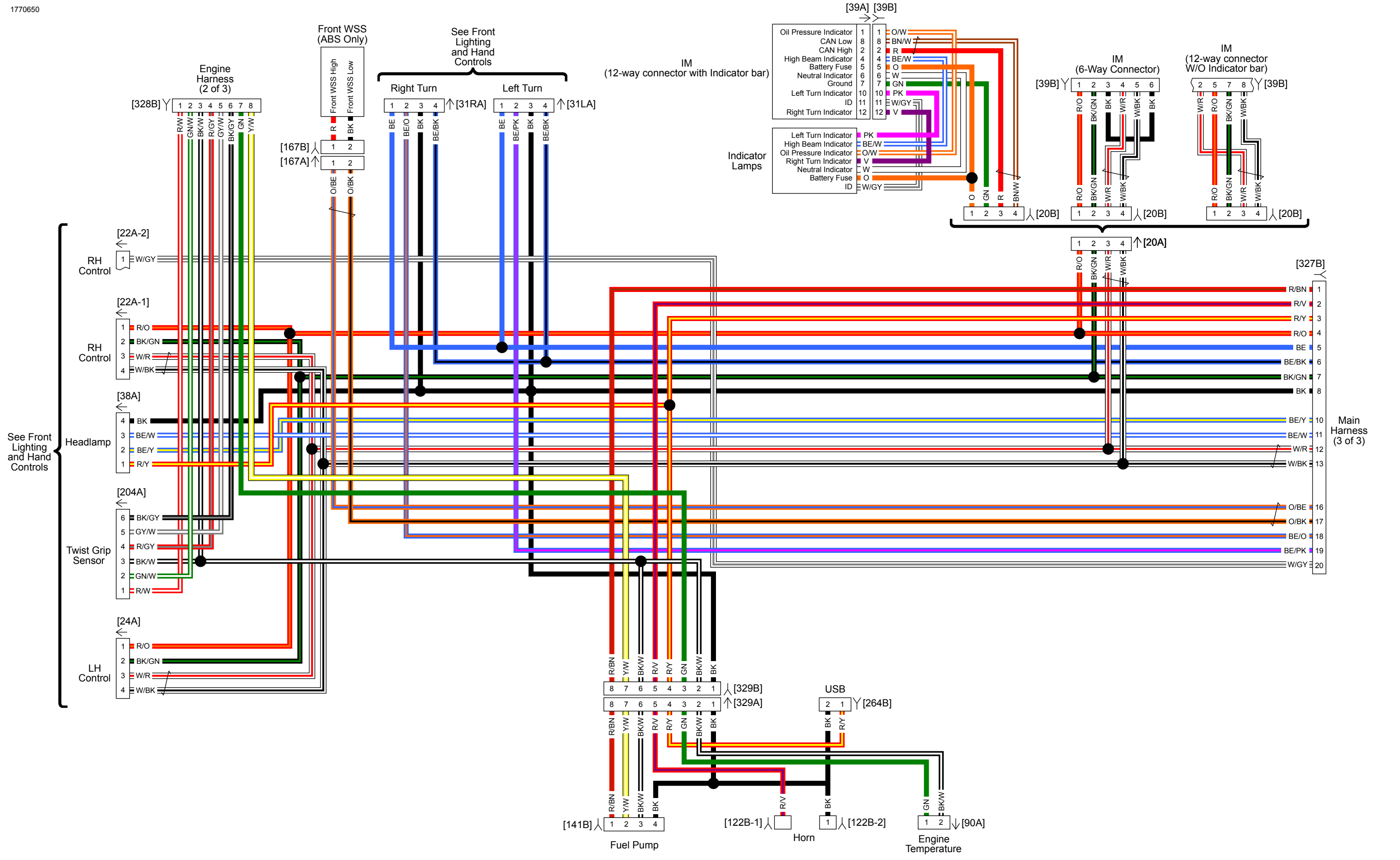
Front Lighting and Hand Controls: 2023 Softail



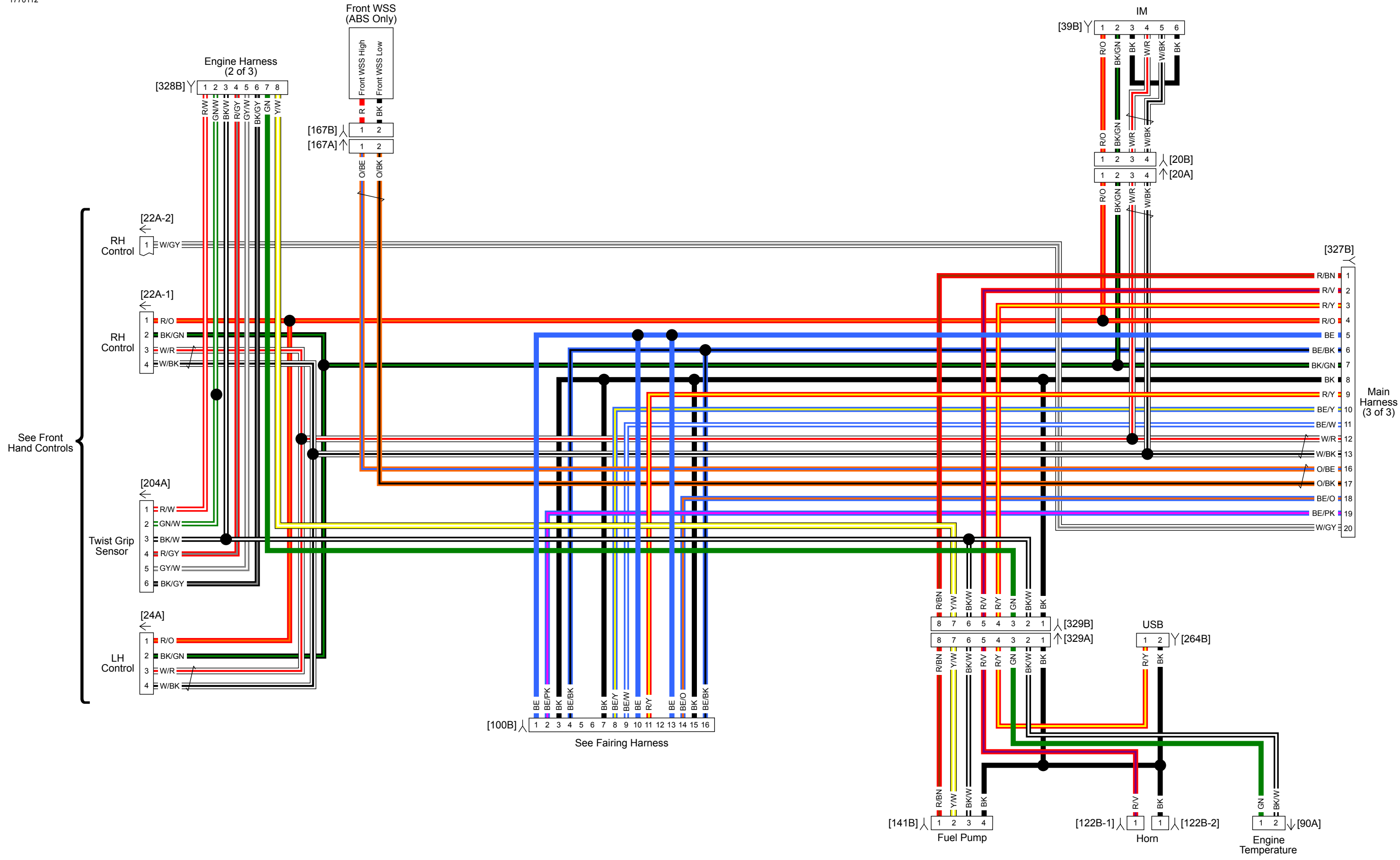
Fairing Harness (FXLRST): 2023 Softail



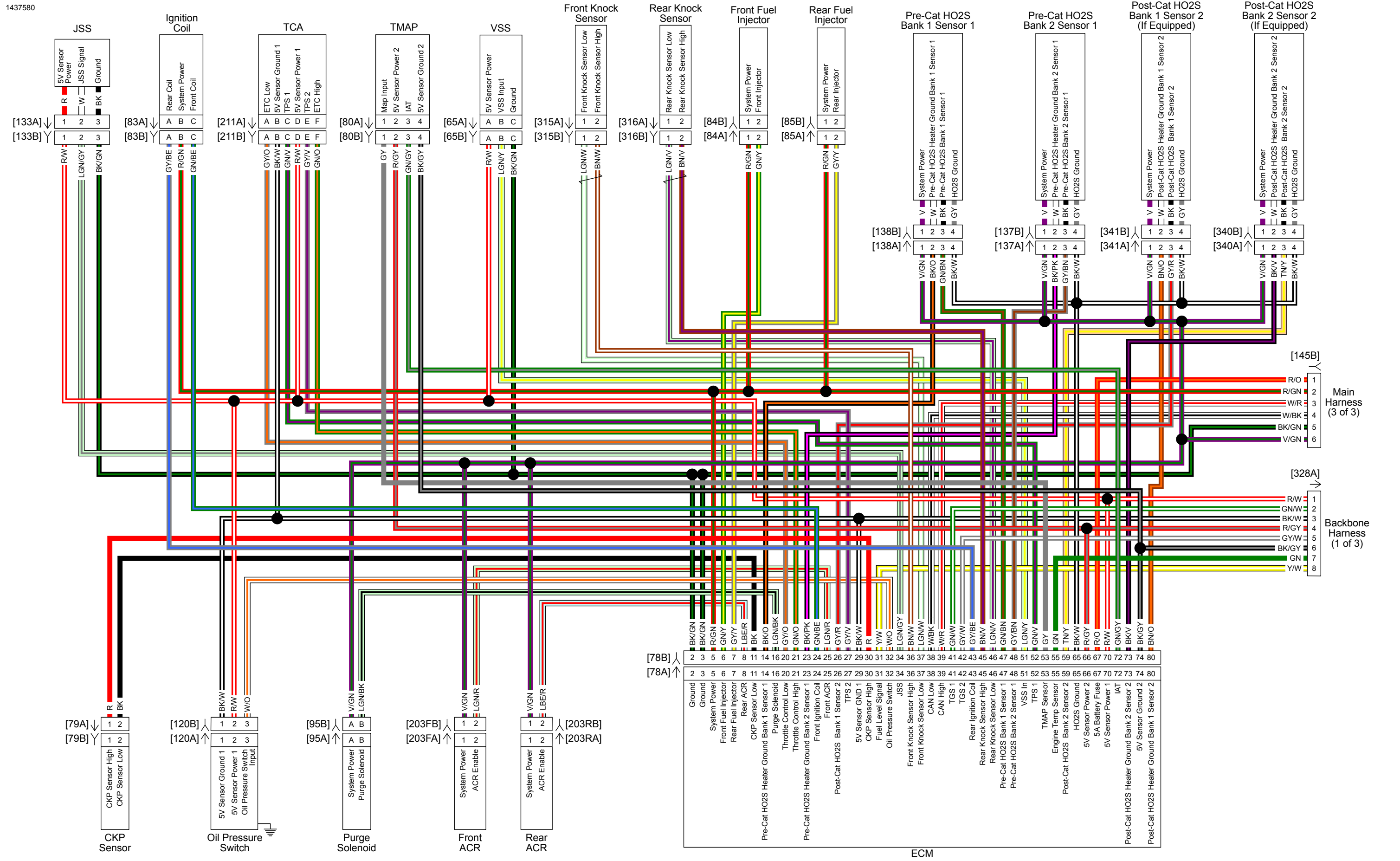
Fairing Harness (FXRST): 2023 Softail



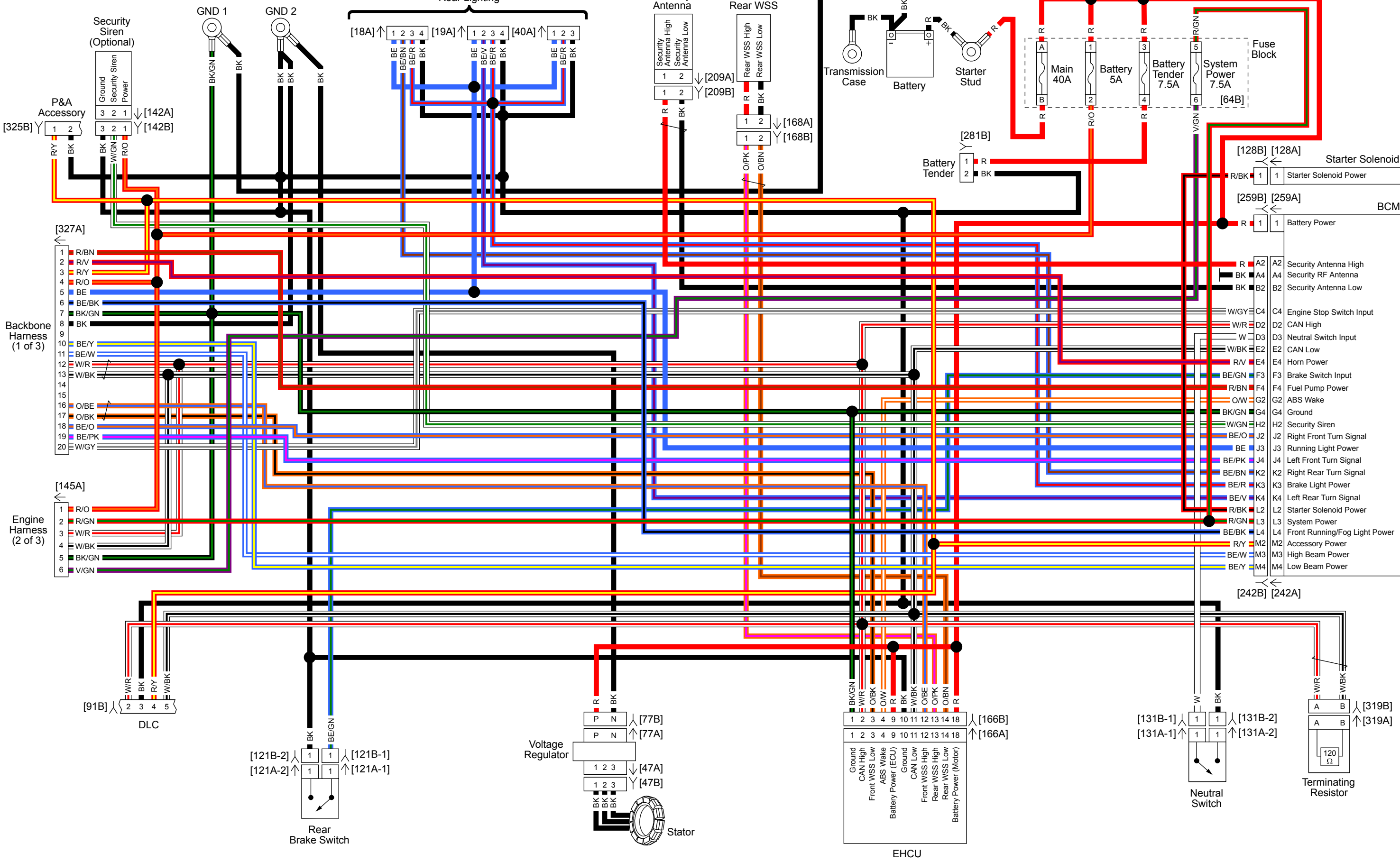
Backbone Harness (Except FXLRST, FXRST) 1 of 3: 2023 Softail



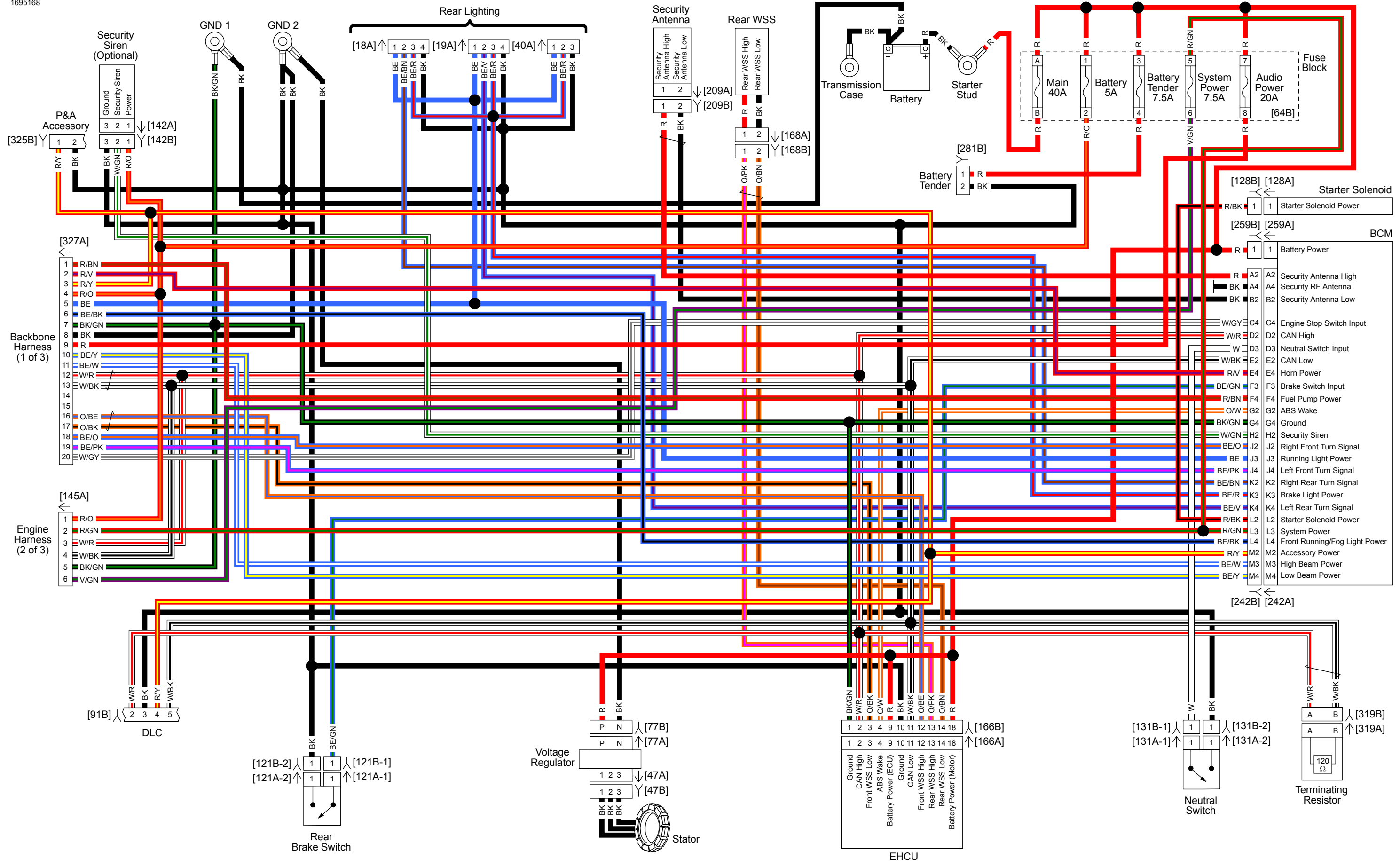
Backbone Harness (FXLRST, FXRST) 1 of 3: 2023 Softail



Engine Harness 2 of 3: 2023 Softail

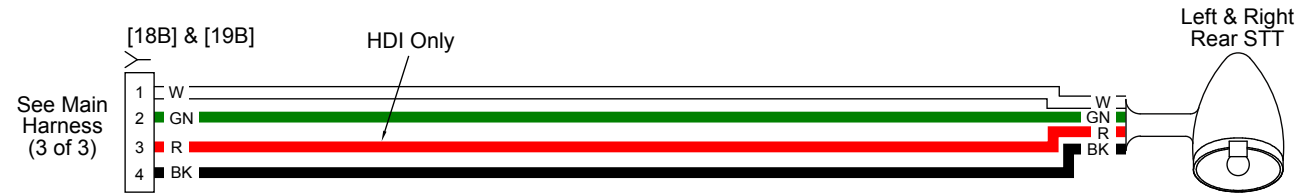


Main Harness (except FXRST) 3 of 3: 2023 Softail

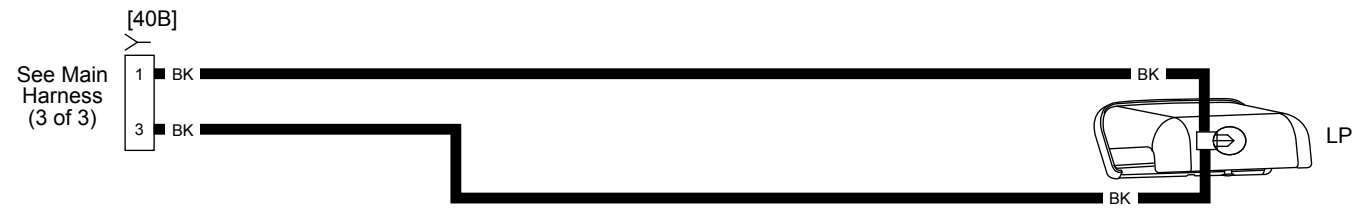


Main Harness (FXRST) 3 of 3: 2023 Softail

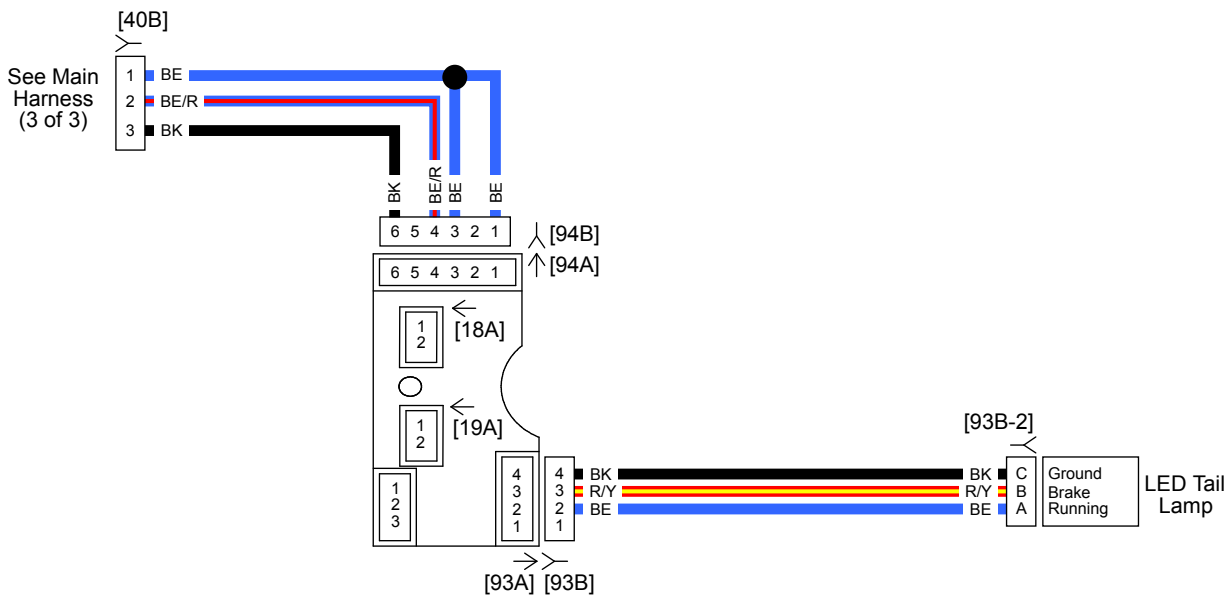
Rear Lighting



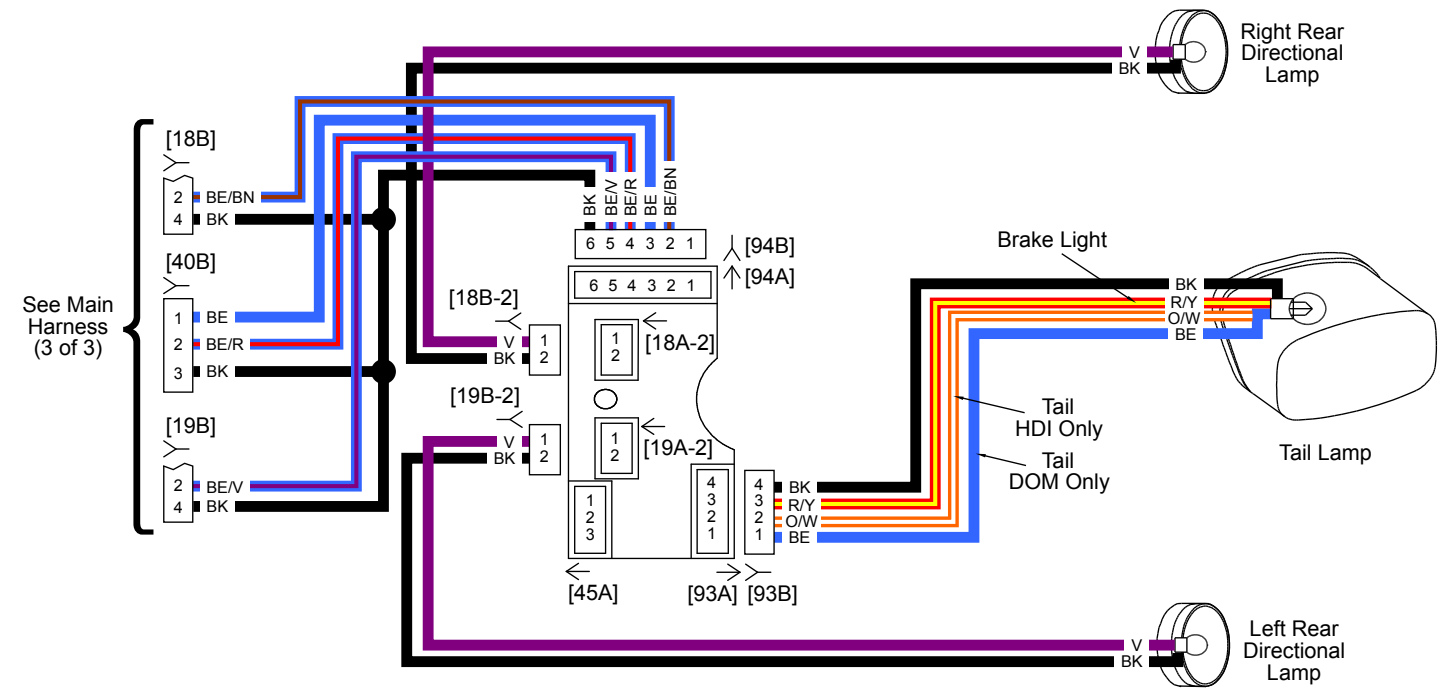
Except FLHC/S, FXLRST



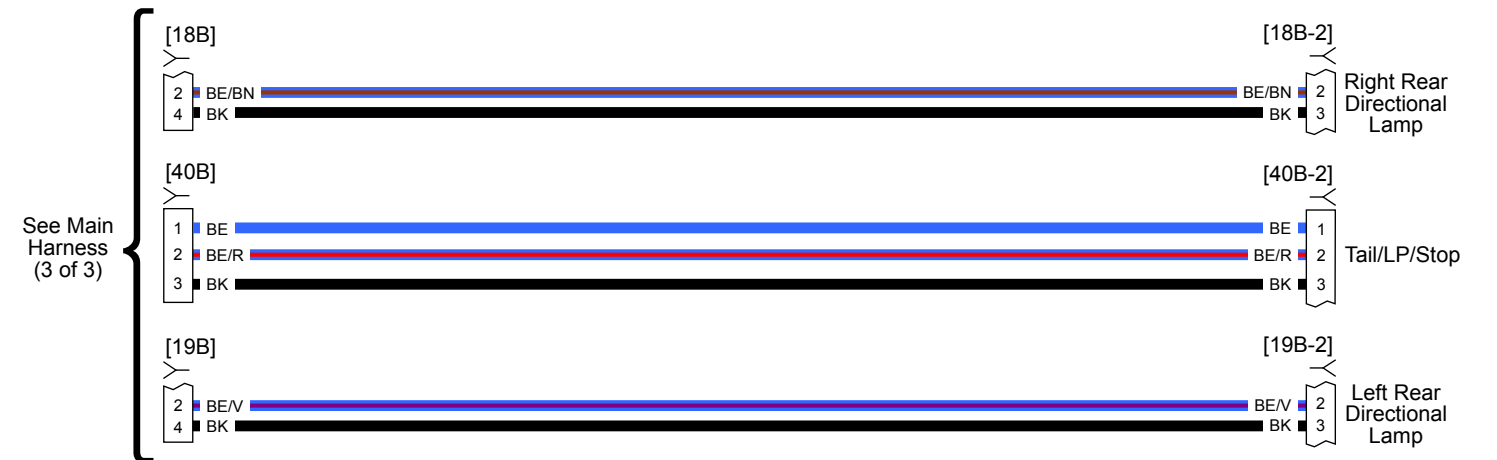
Except FLHC/S, FXLRST



FXLR/S

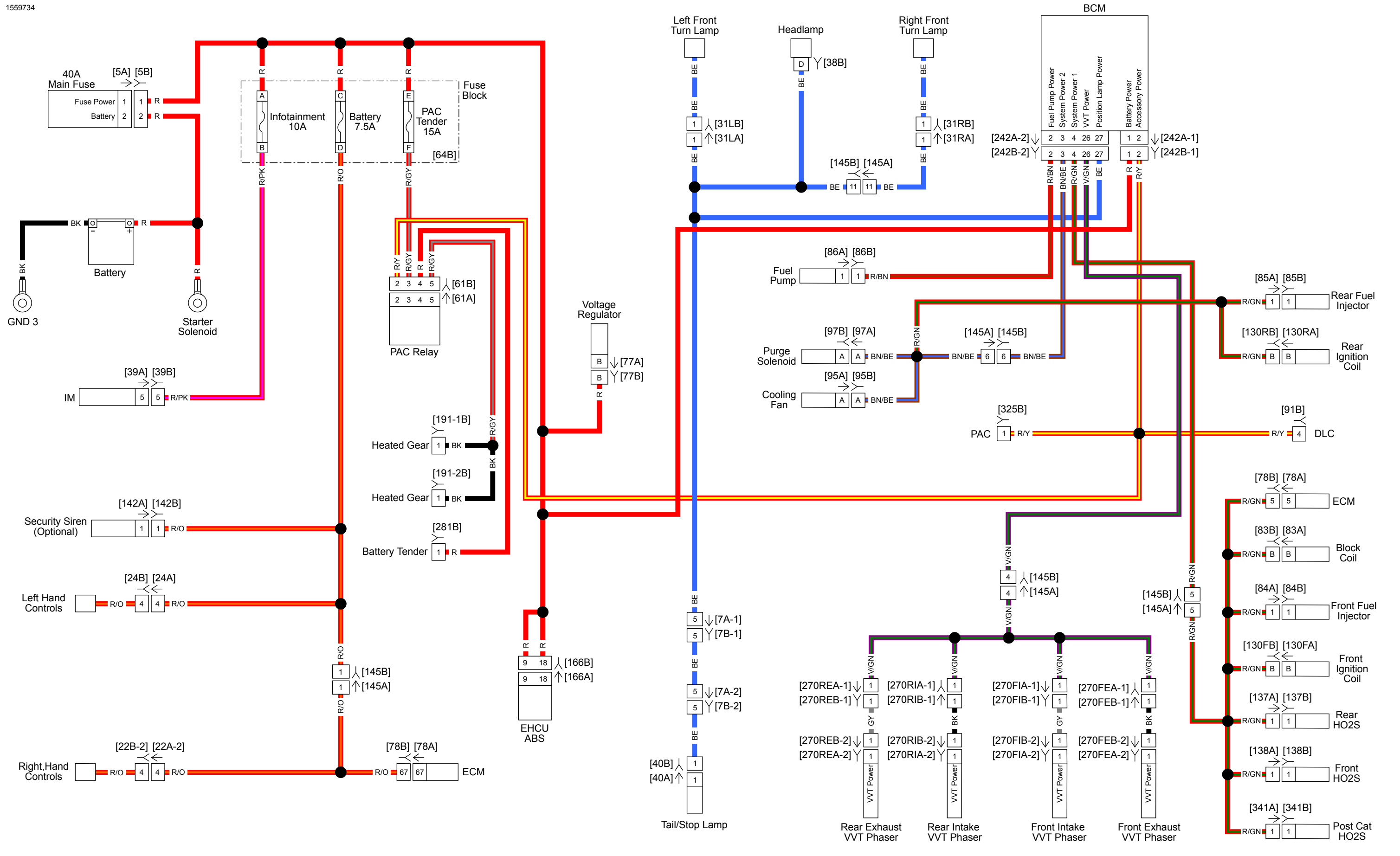


FLHC/S

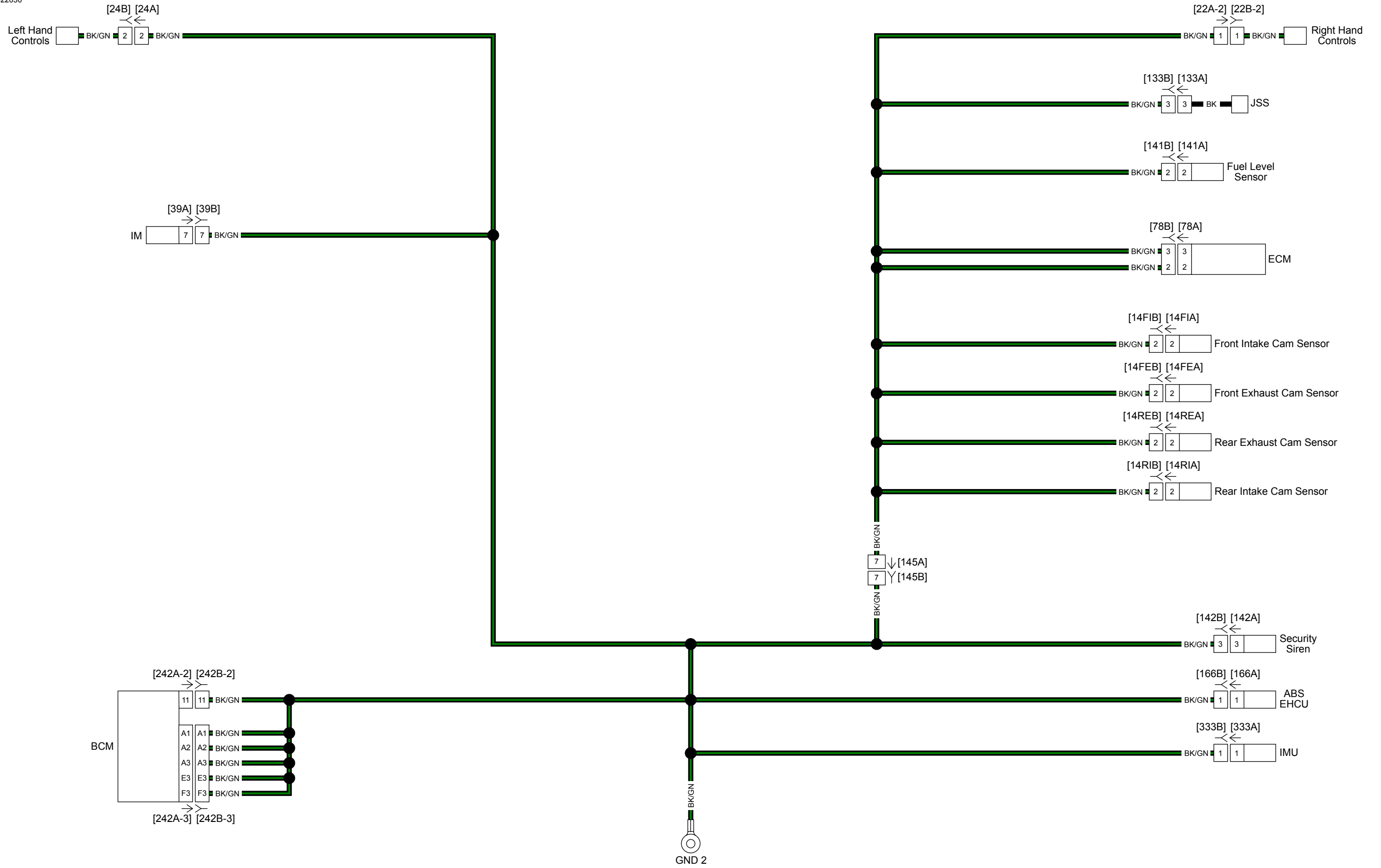


FXLRST, FXRST

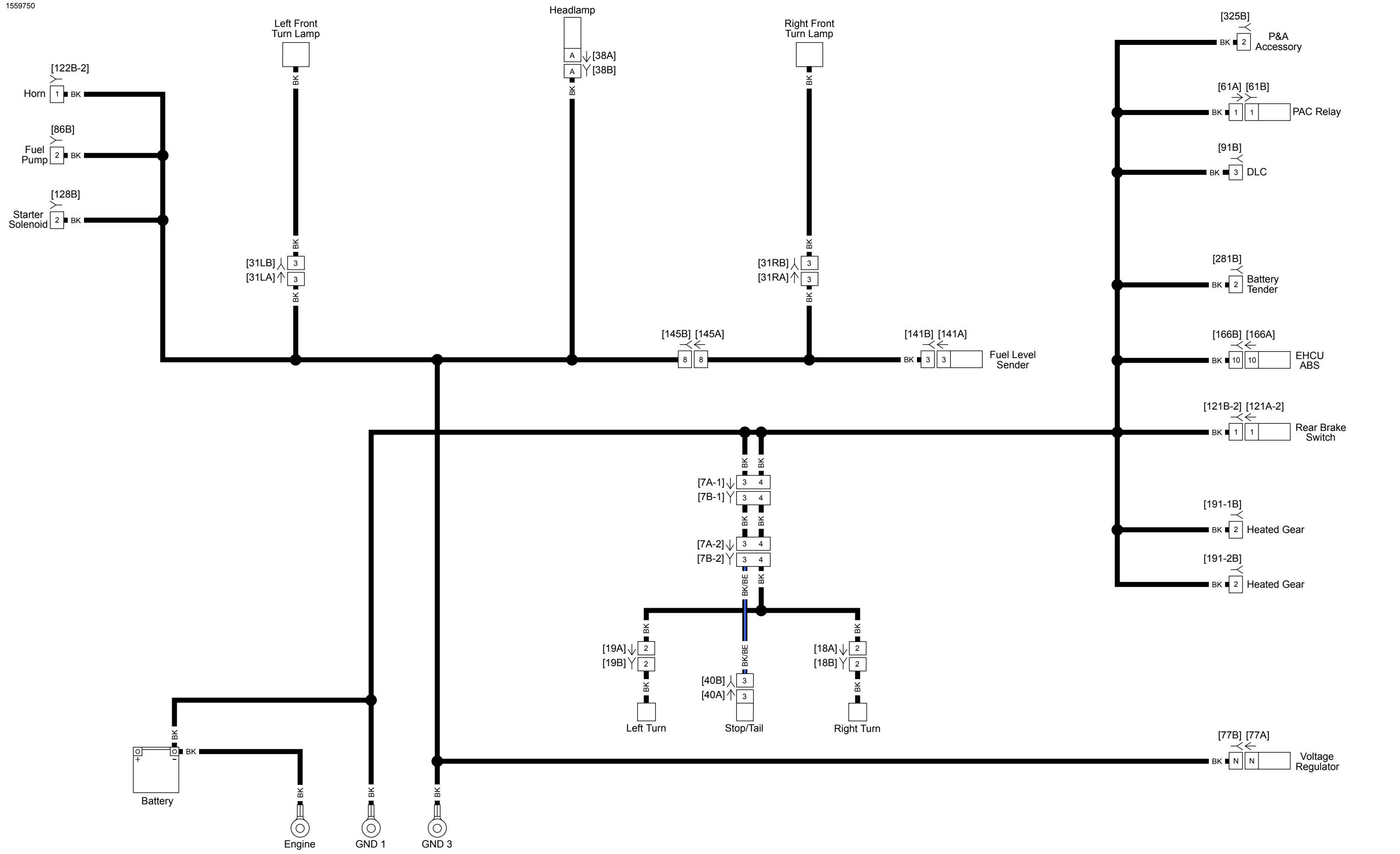
Rear Lighting: 2022 Softail



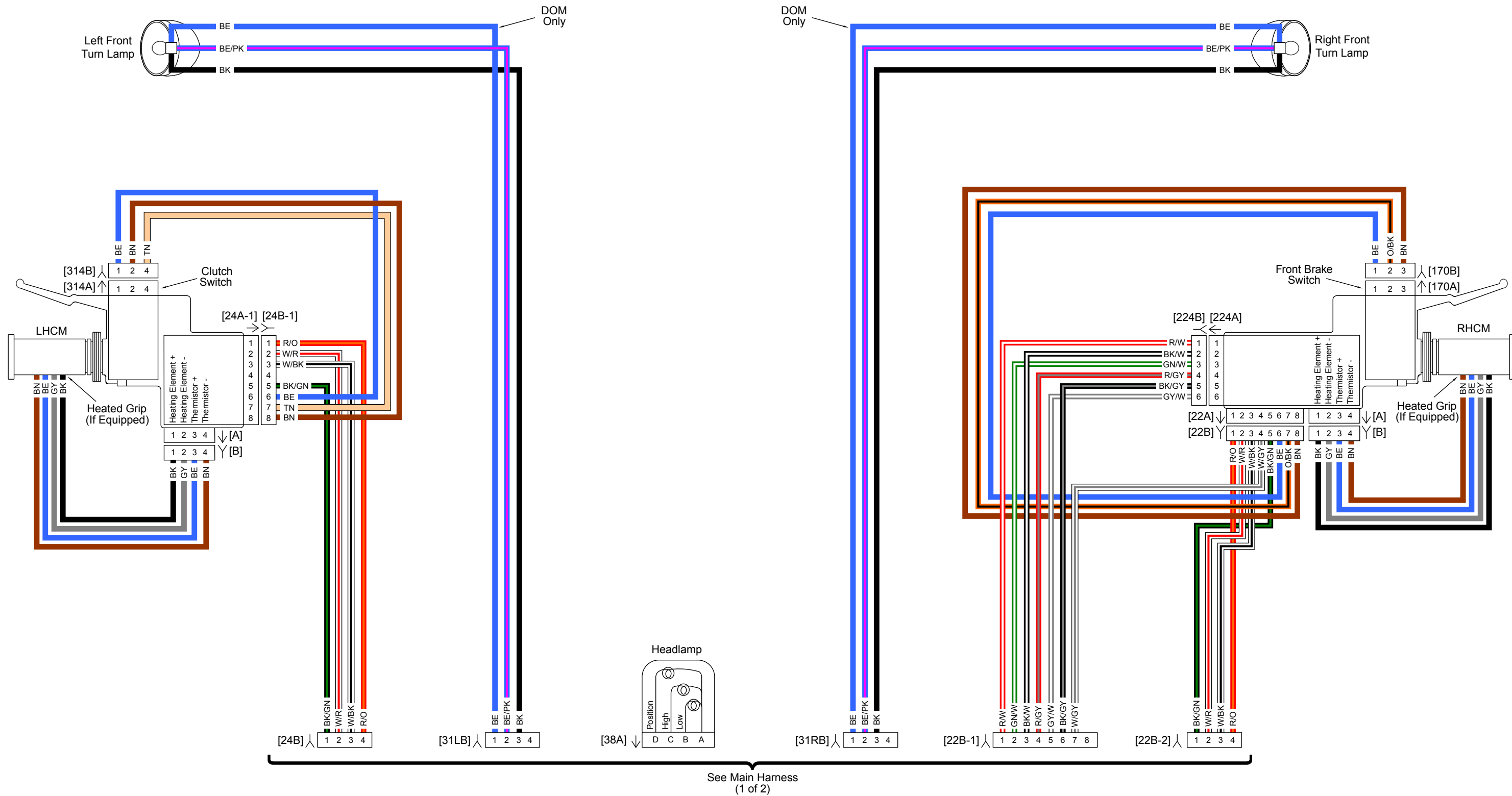
Power Distribution: 2023 Models (All Except RH975 Models)



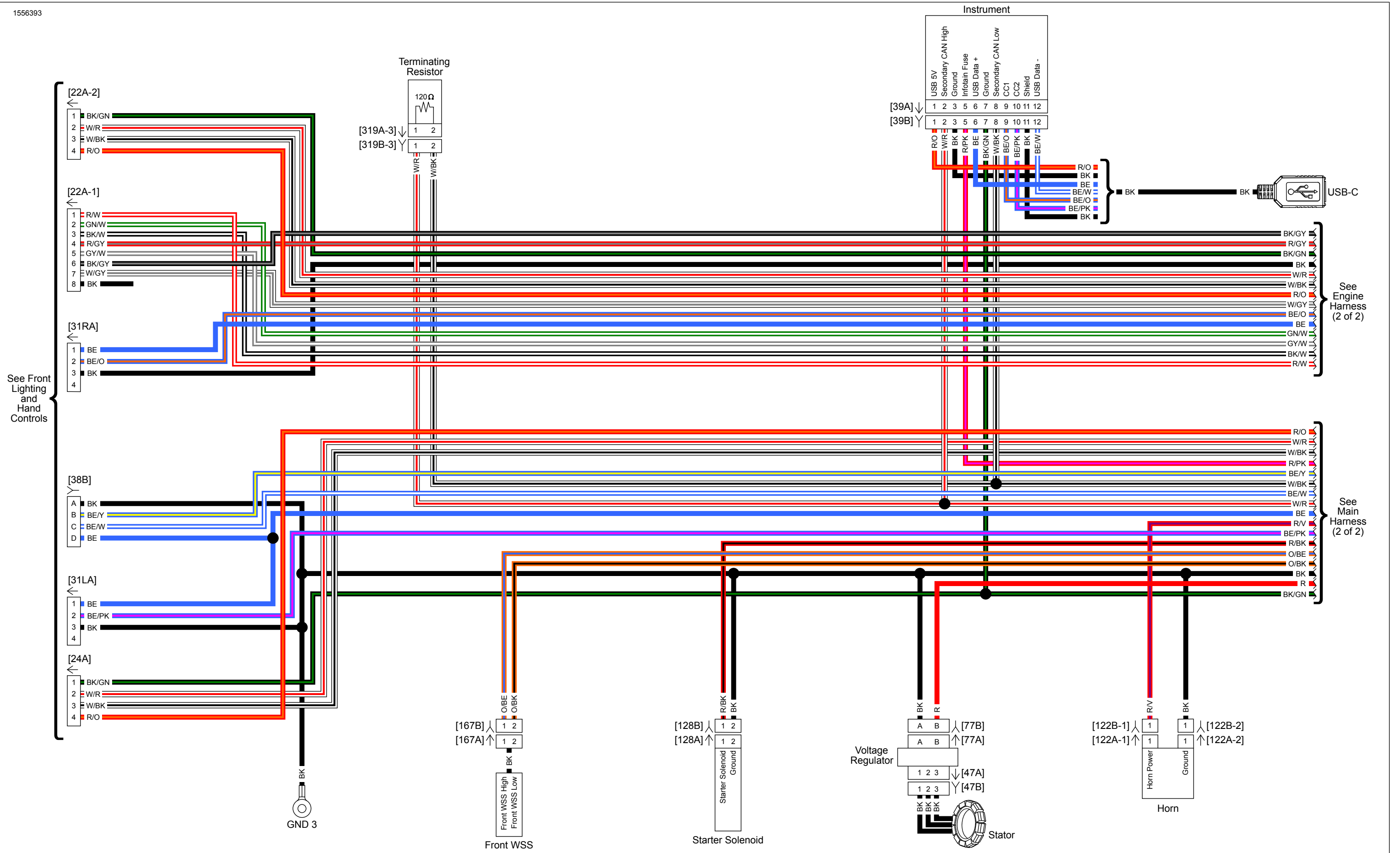
Sensor Grounds: 2023 Models (All Except RH975 Models)



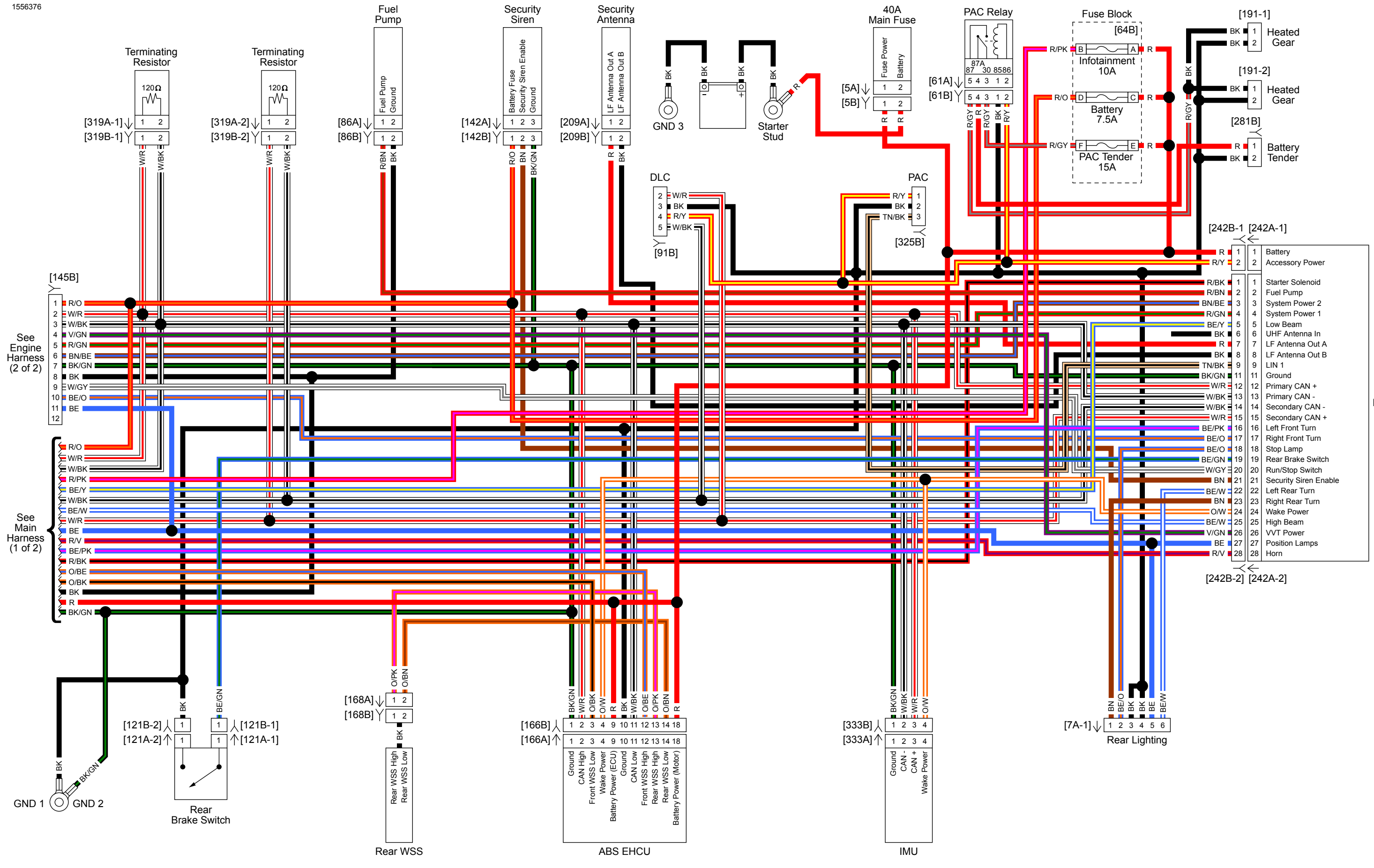
Ground Circuit: 2023 Models (All Except RH975 Models)



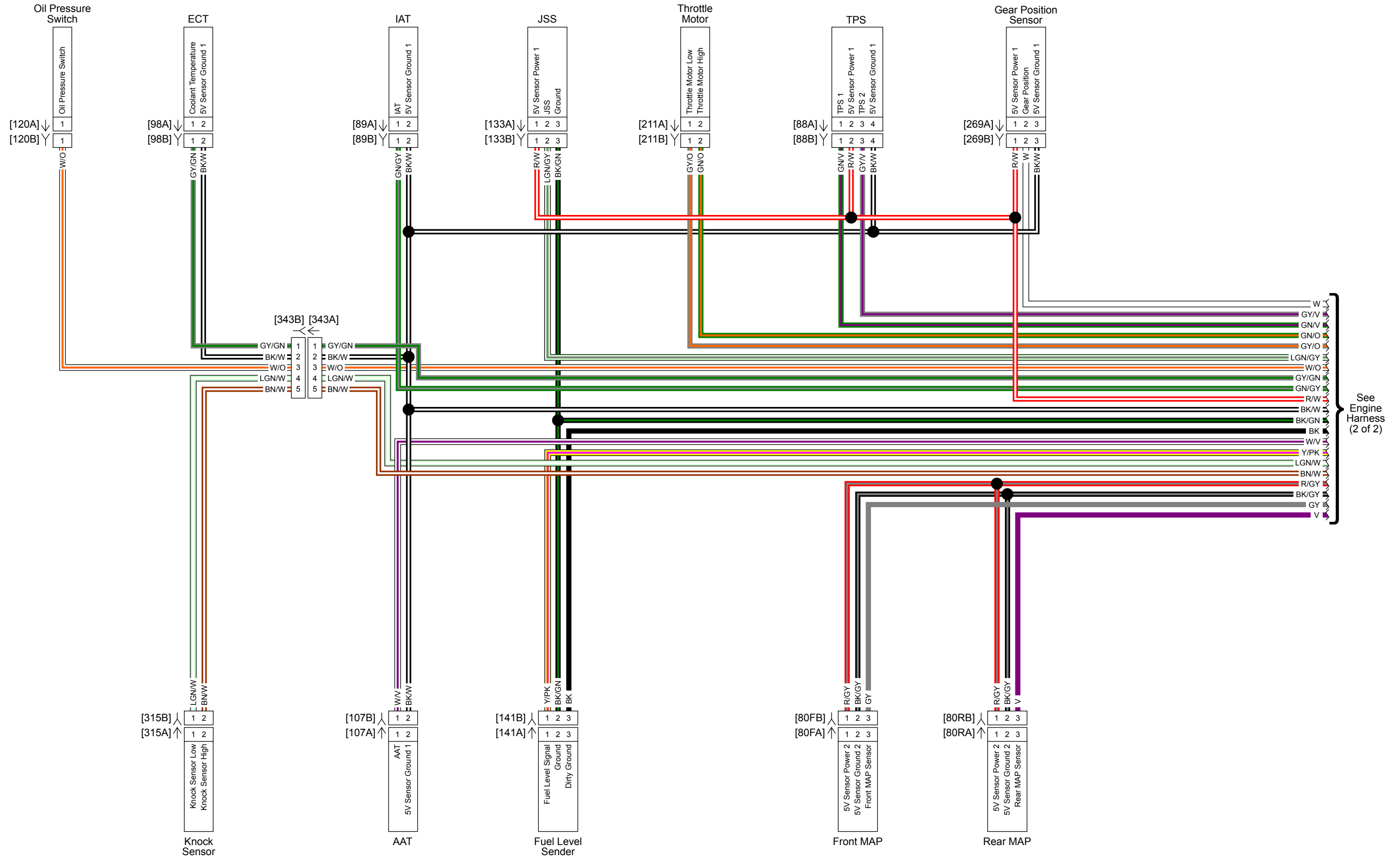
Front Lighting and Hand Controls: 2023 Models (All Except RH975 Models)



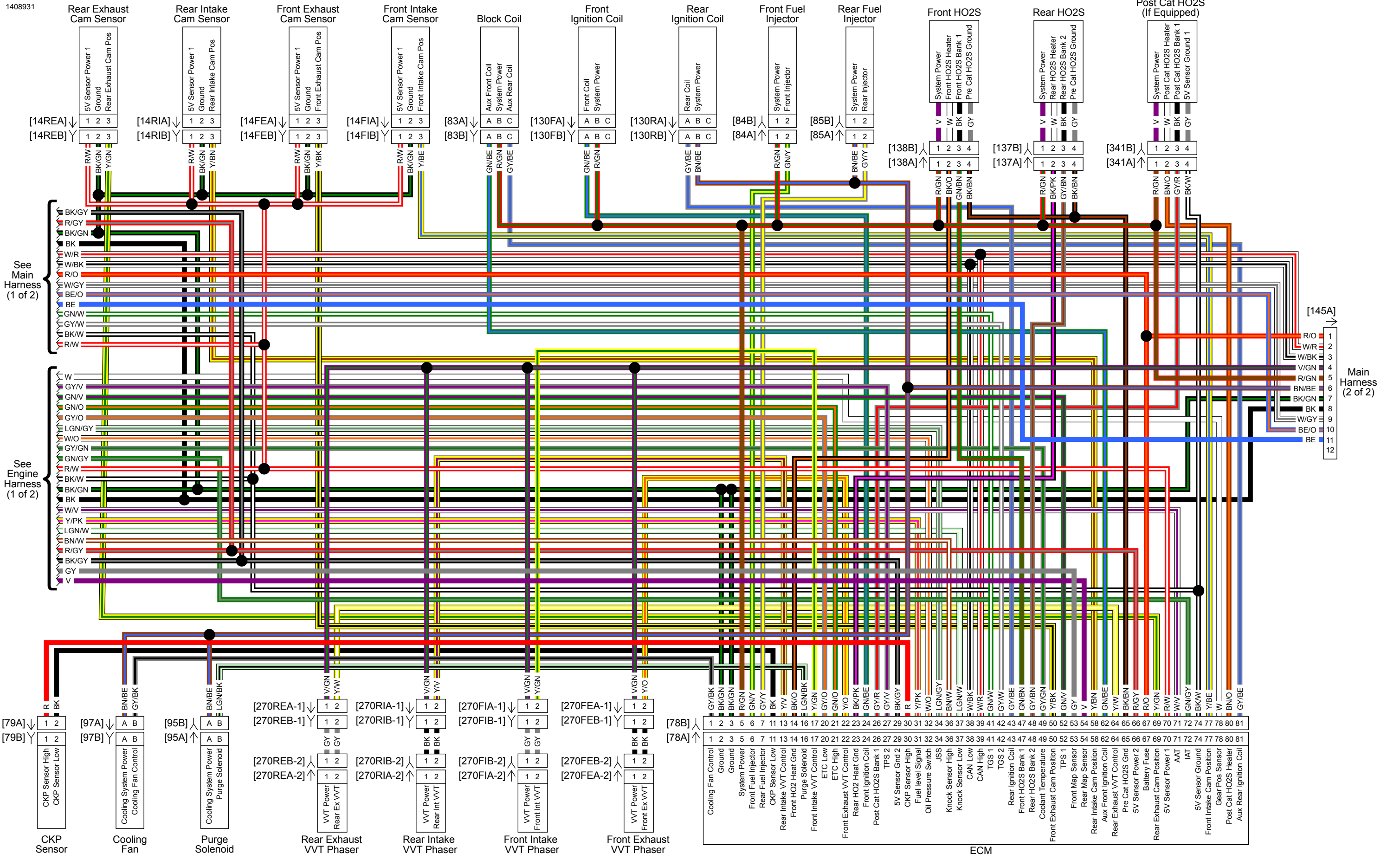
Main Harness 1 of 2: 2023 Models (All Except RH975 Models)



Main Harness 2 of 2: 2023 Models (All Except RH975 Models)



Engine Harness 1 of 2: 2023 Models (All Except RH975 Models)



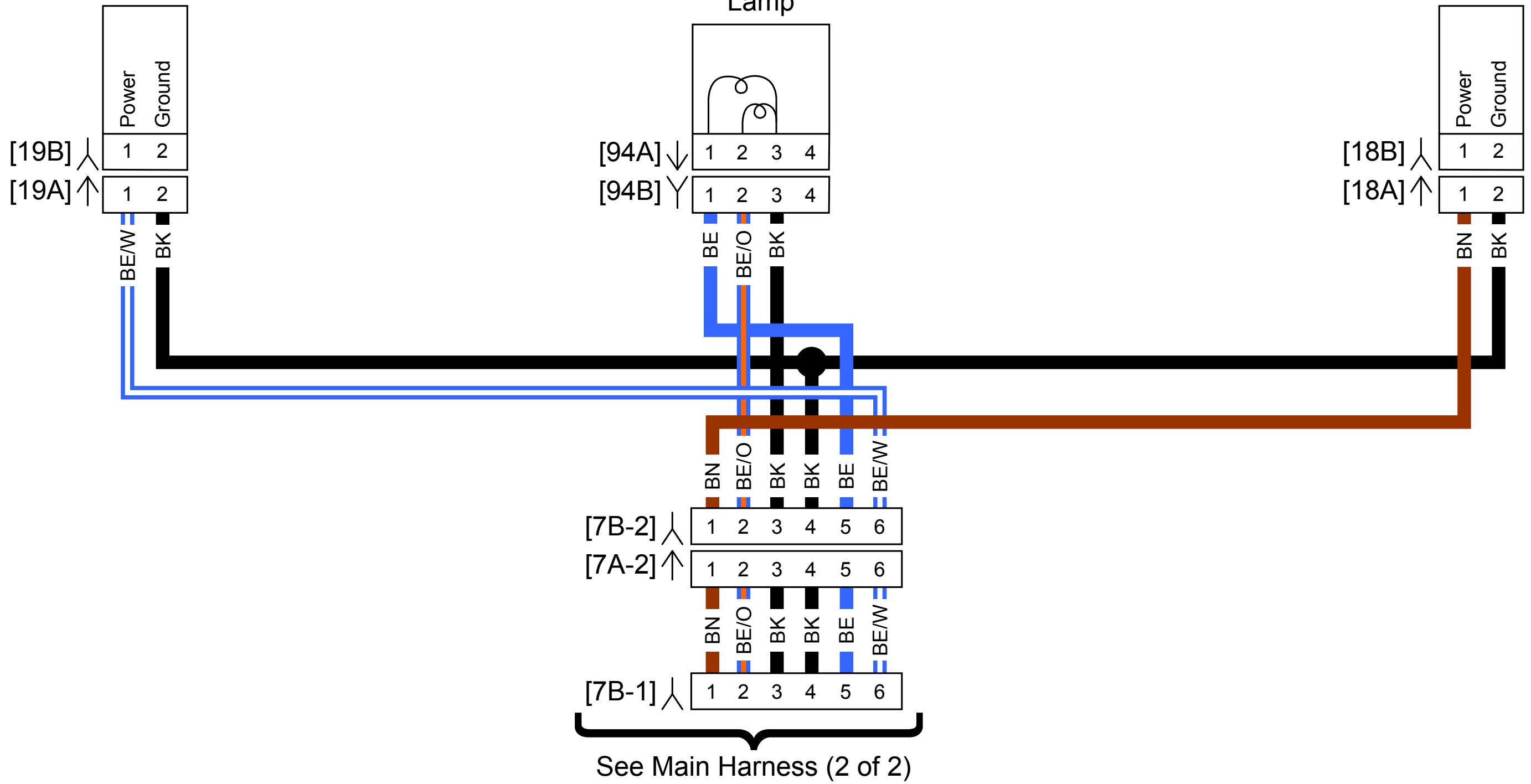
Engine Harness 2 of 2: 2023 Models (All Except RH975 Models)

1556419

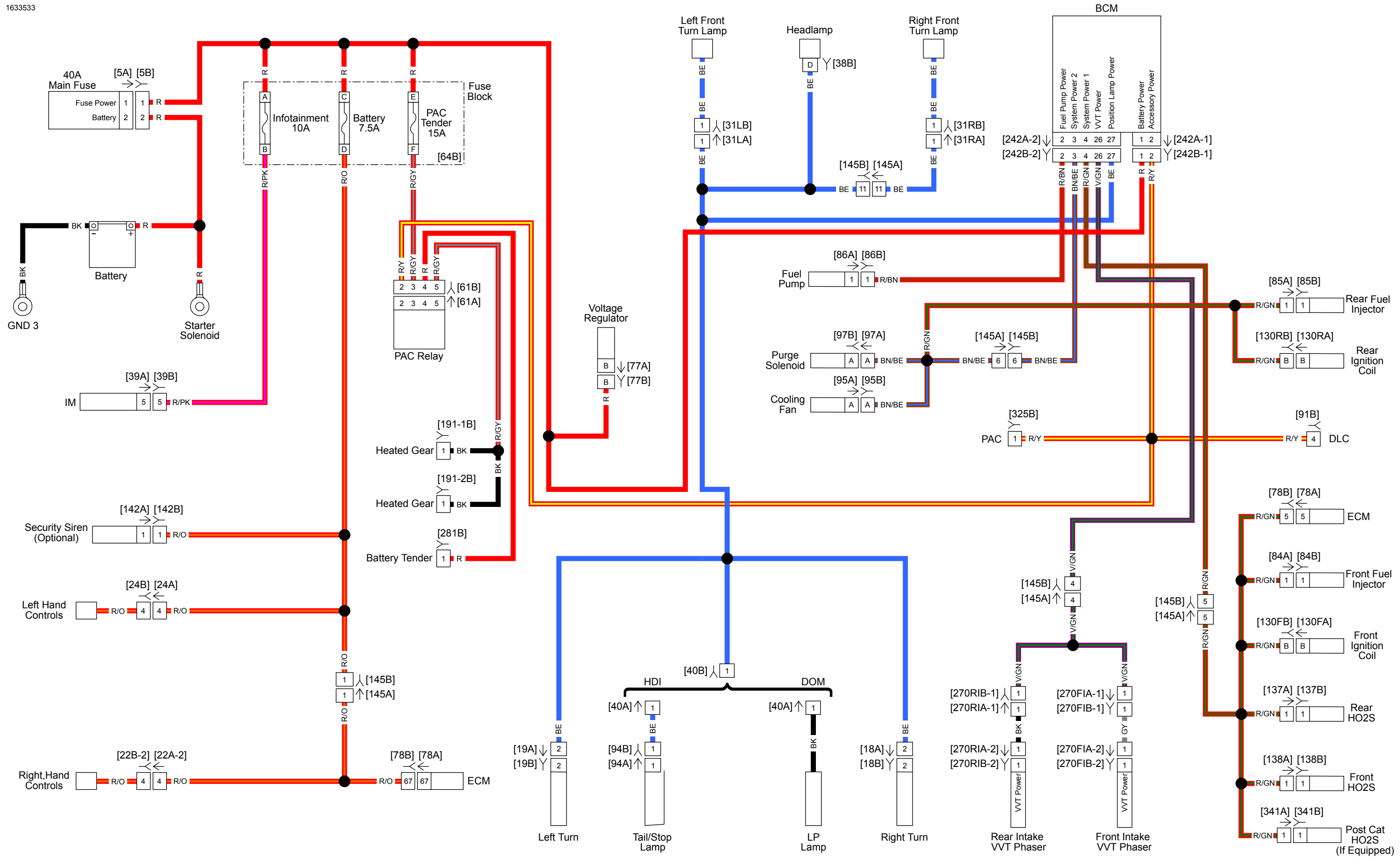
Left Rear Turn Lamp

Tail/Stop Lamp

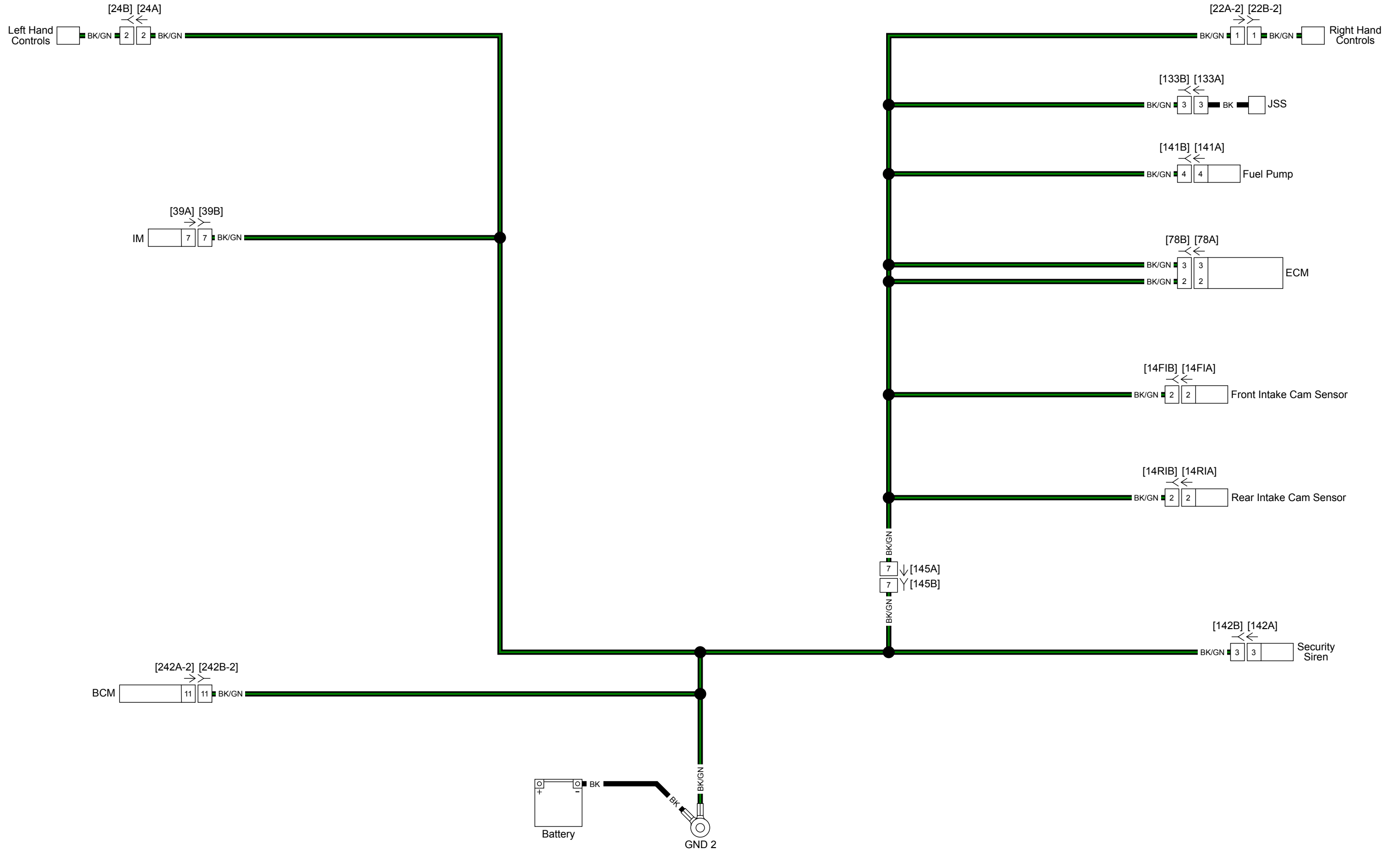
Right Rear Turn Lamp



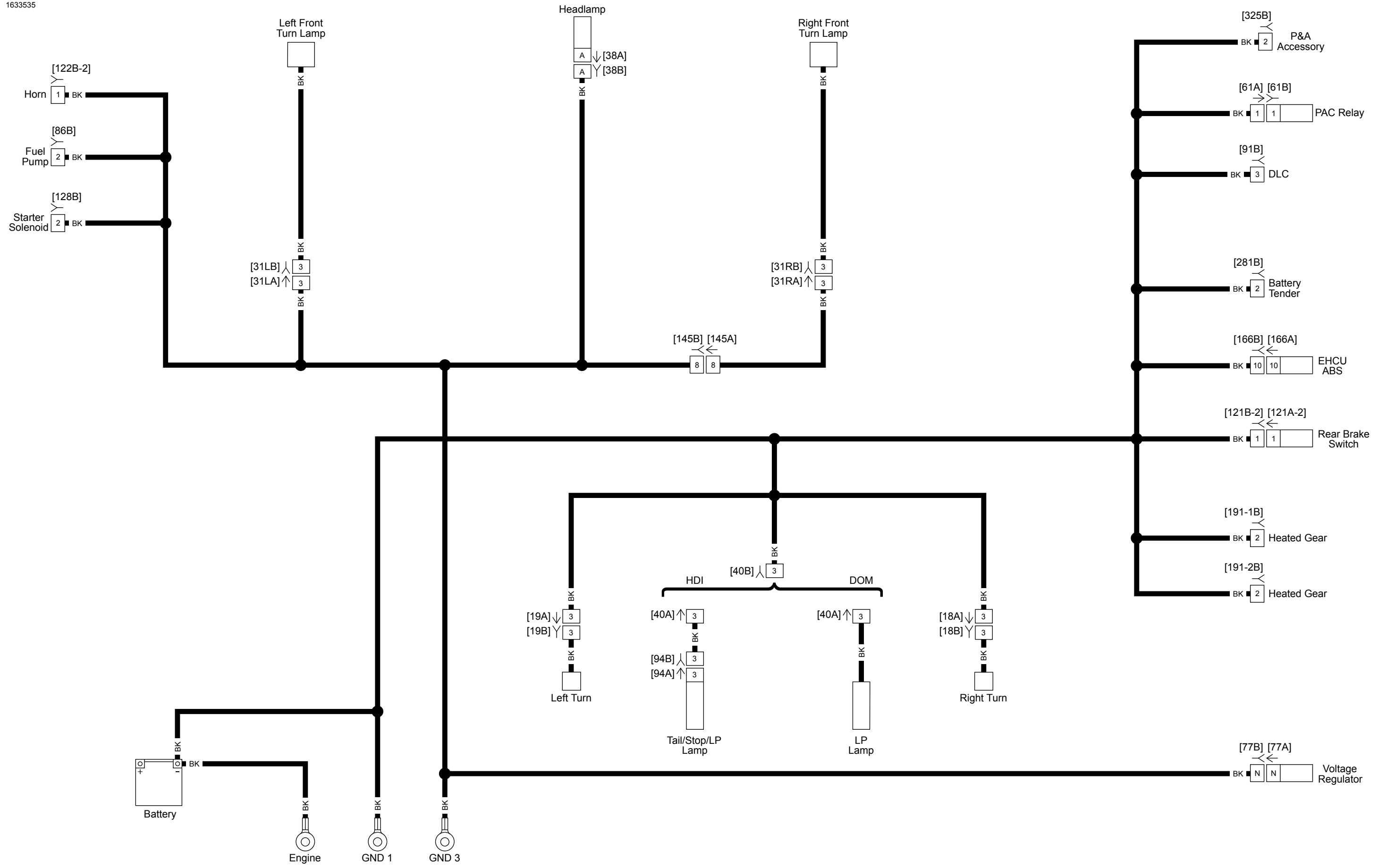
Rear Lighting: 2023 Models (All Except RH975 Models)



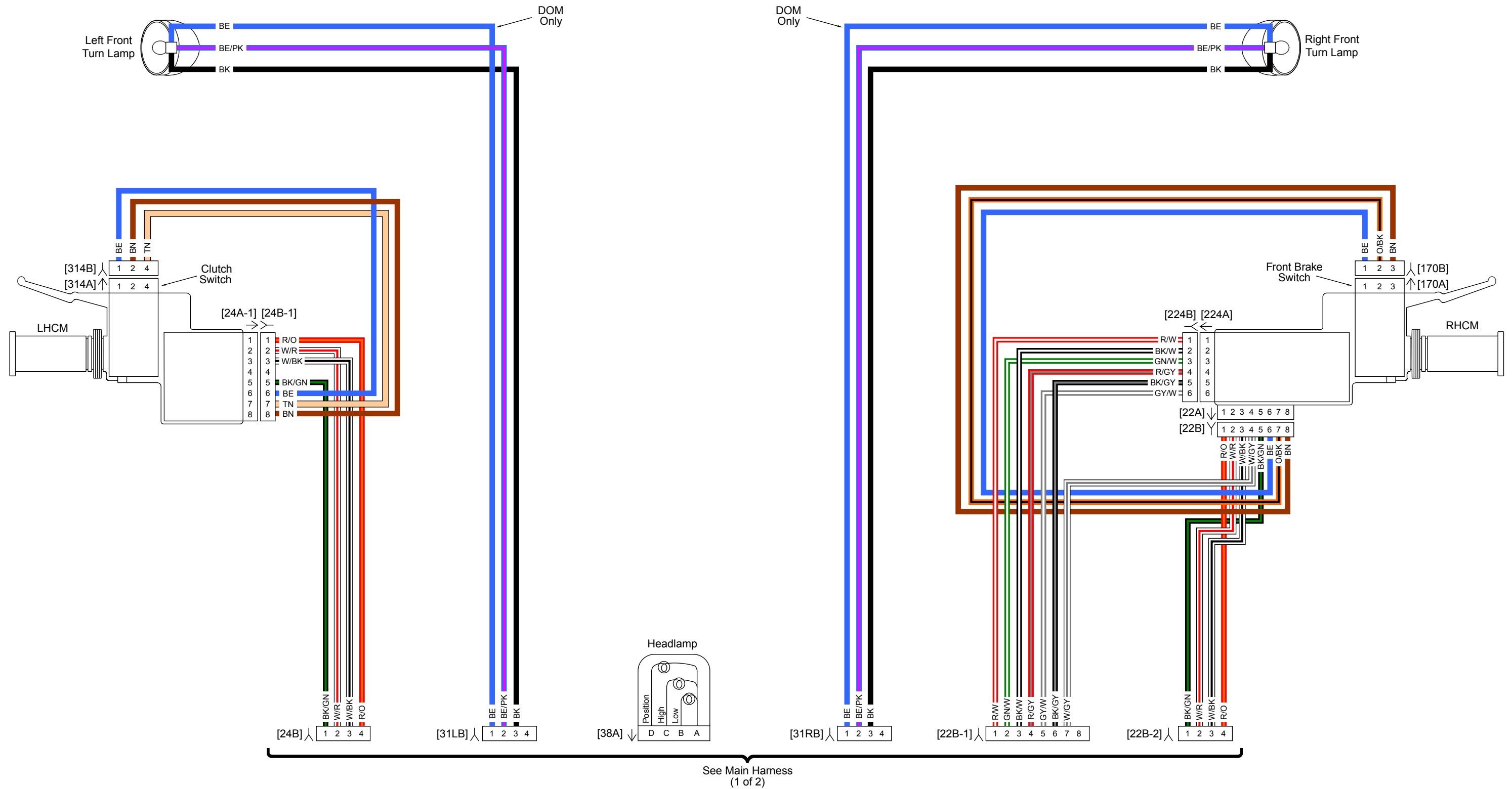
Power Distribution: 2023 RH975 Models



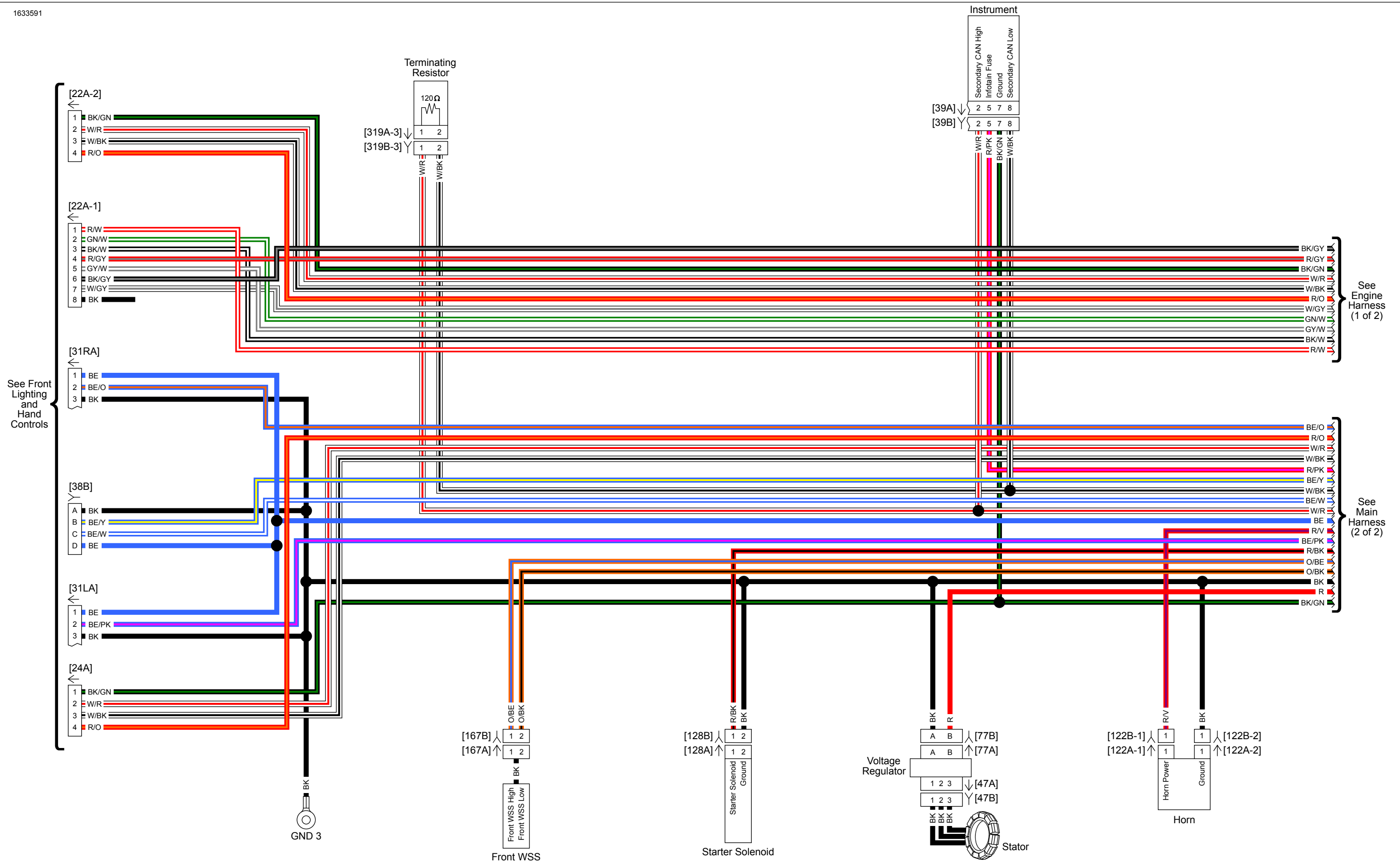
Sensor Grounds: 2023 RH975 Models



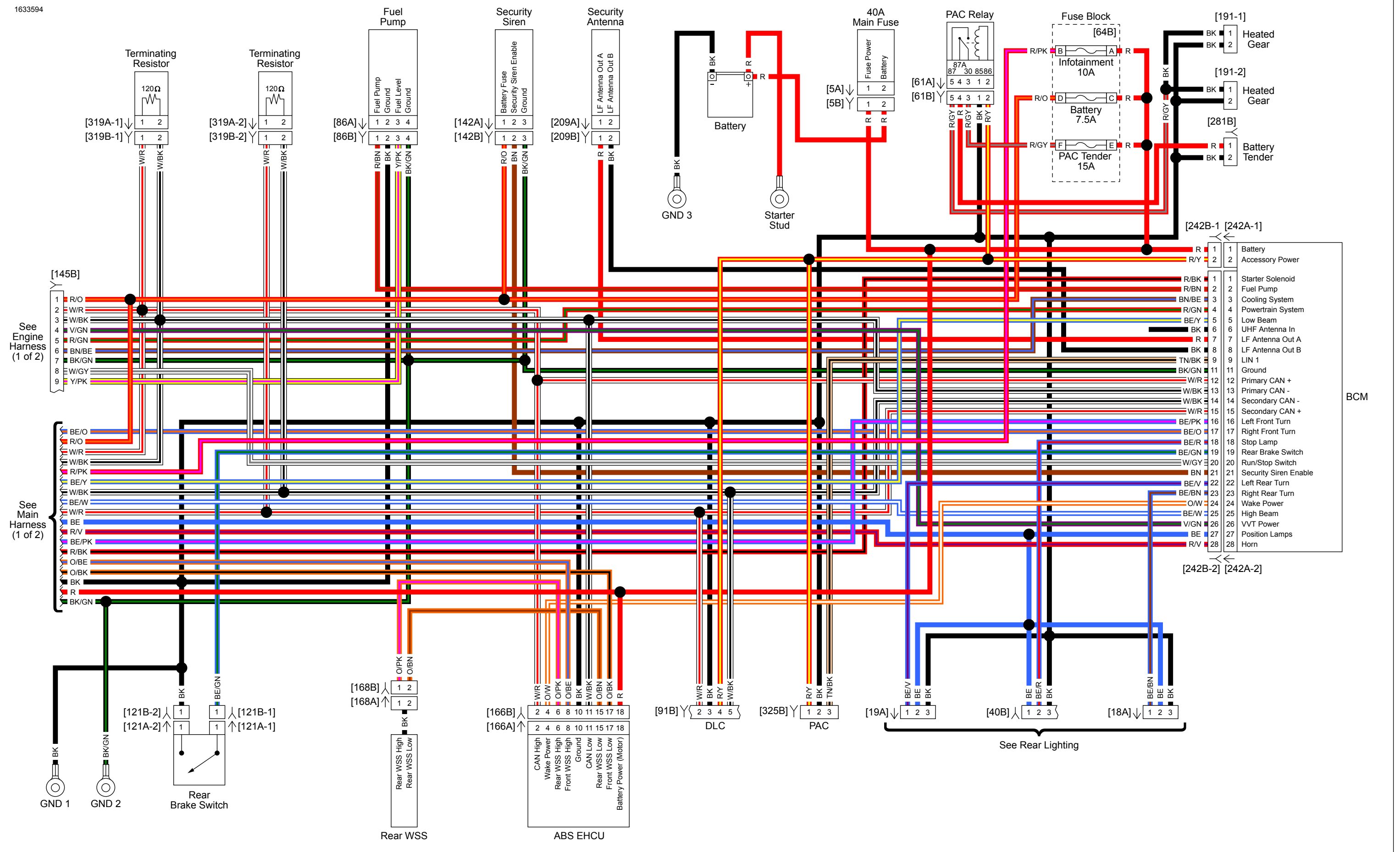
Ground Circuit: 2023 RH975 Models



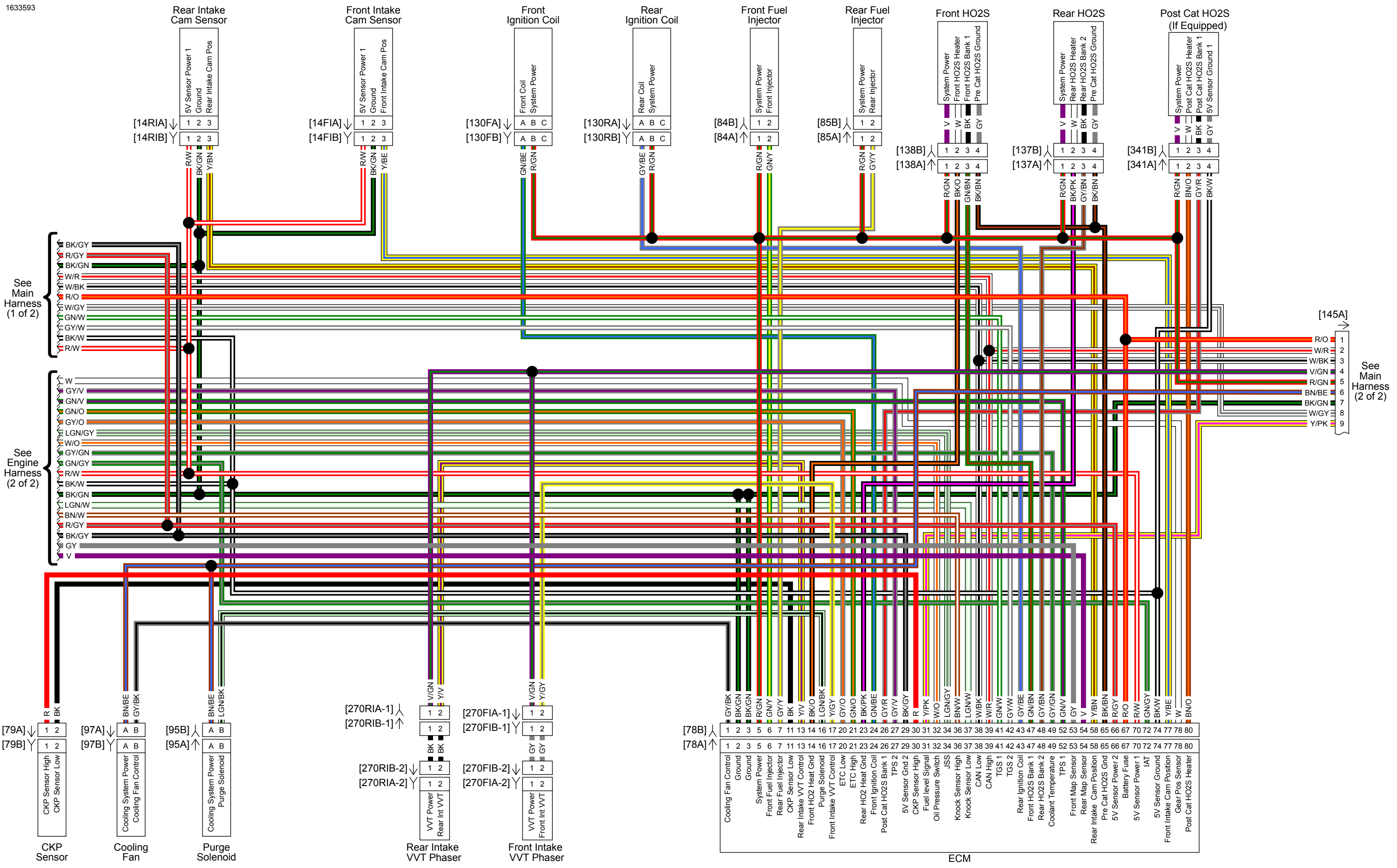
Front Lighting and Hand Controls: 2023 RH975 Models



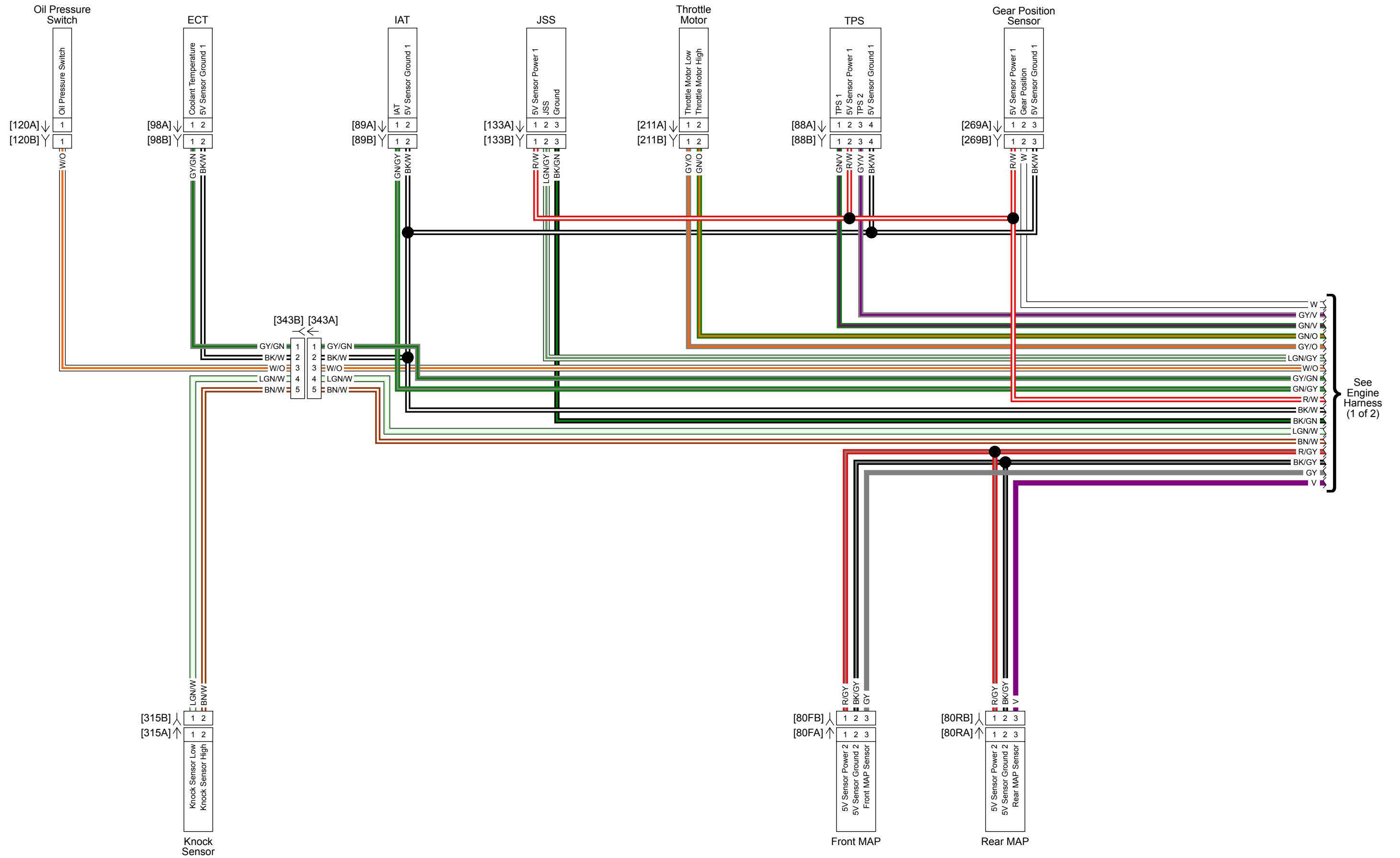
Main Harness 1 of 2: 2023 RH975 Models



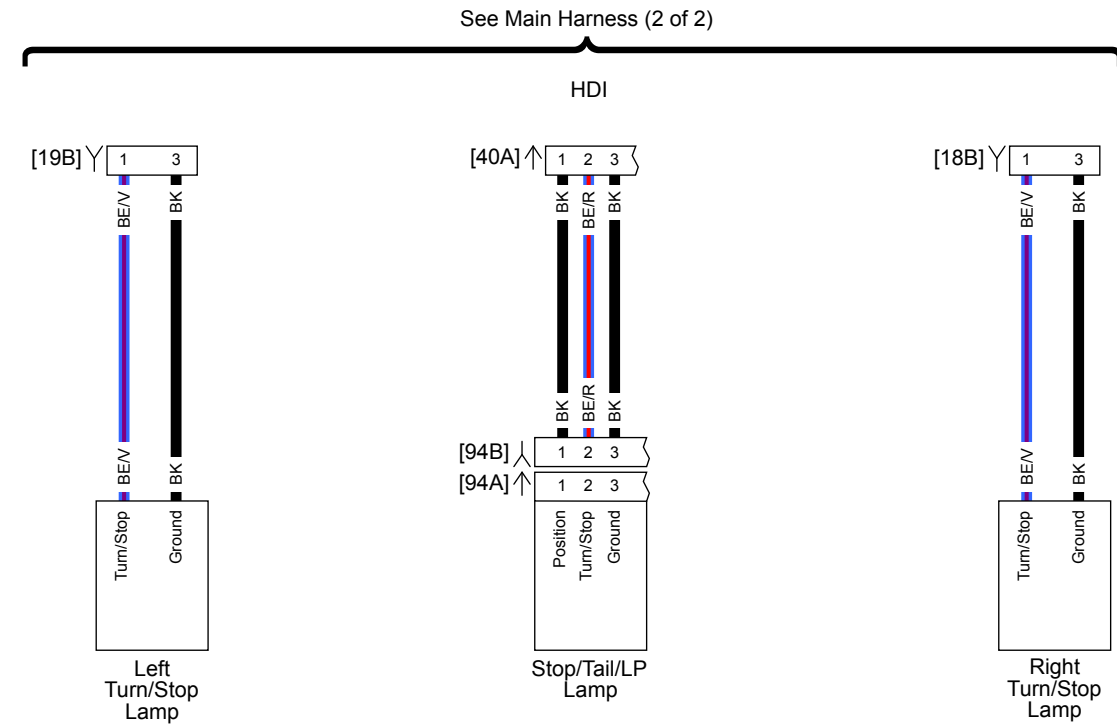
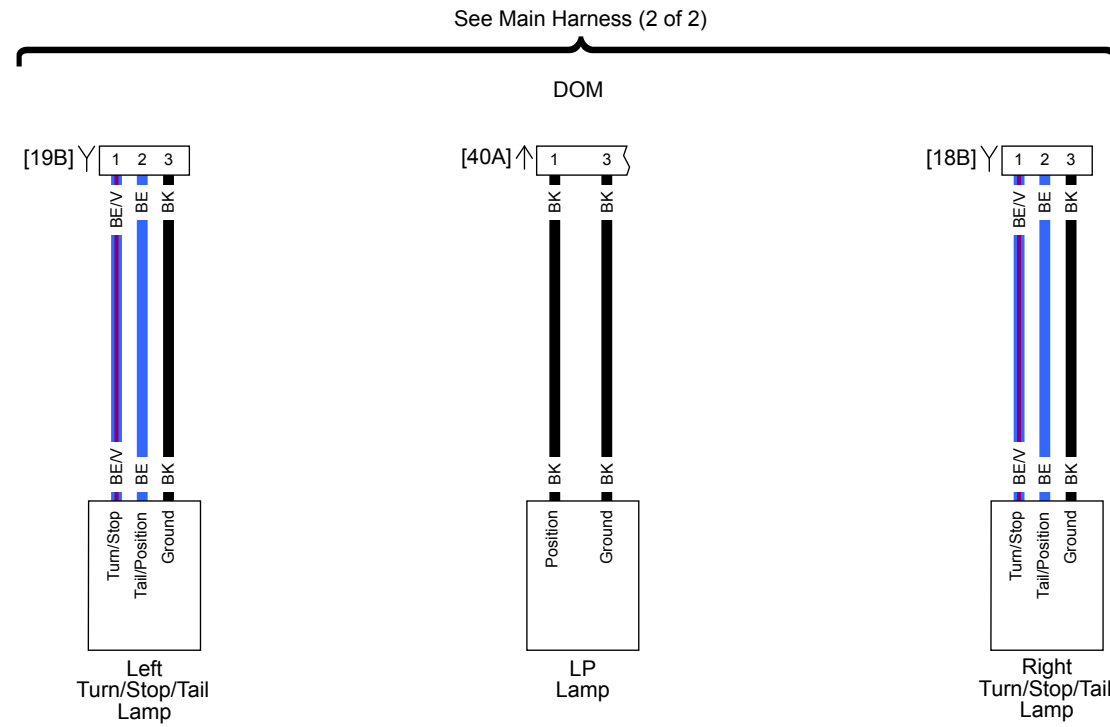
Main Harness 2 of 2: 2023 RH975 Models



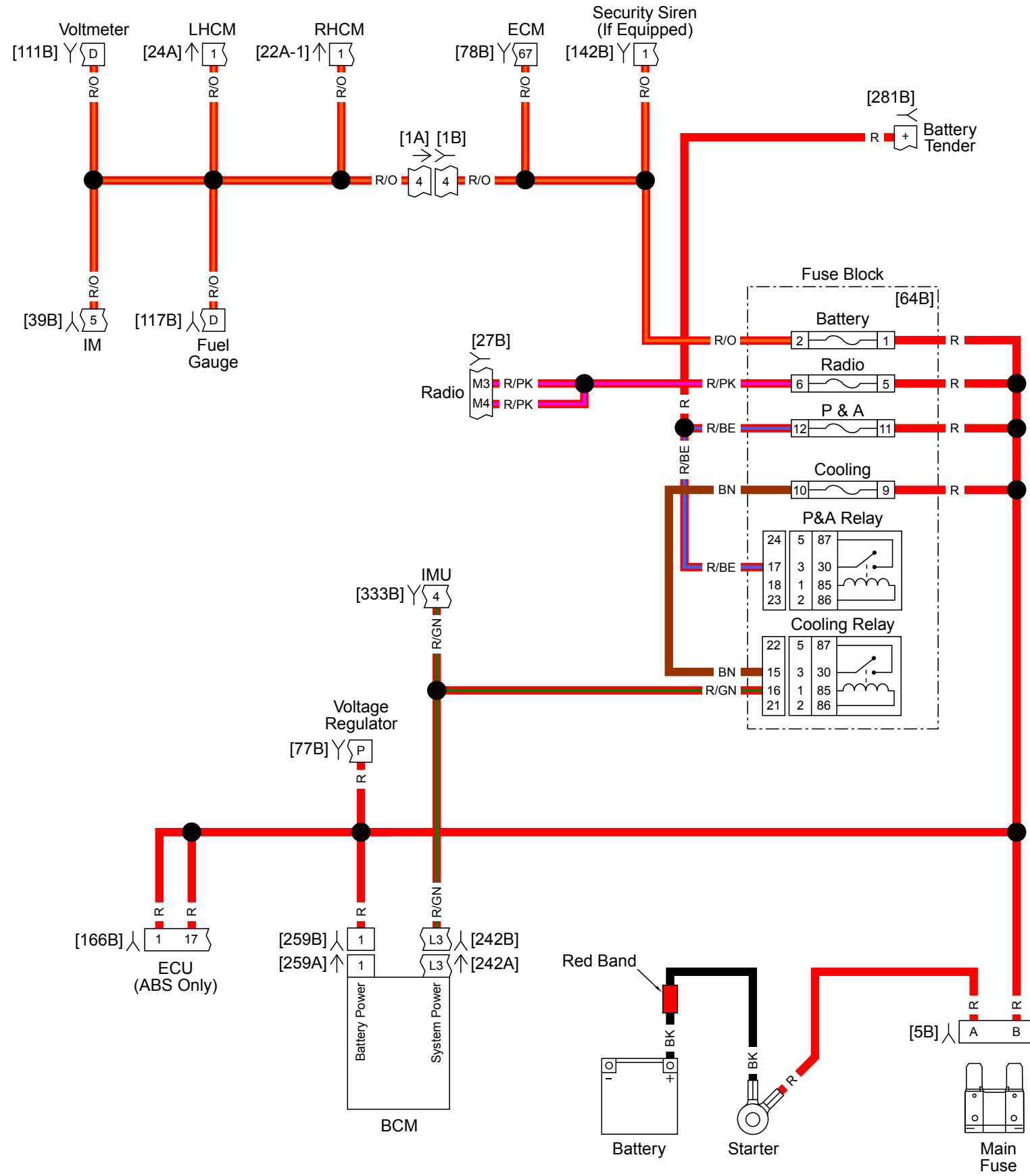
Engine Harness 1 of 2: 2023 RH975 Models



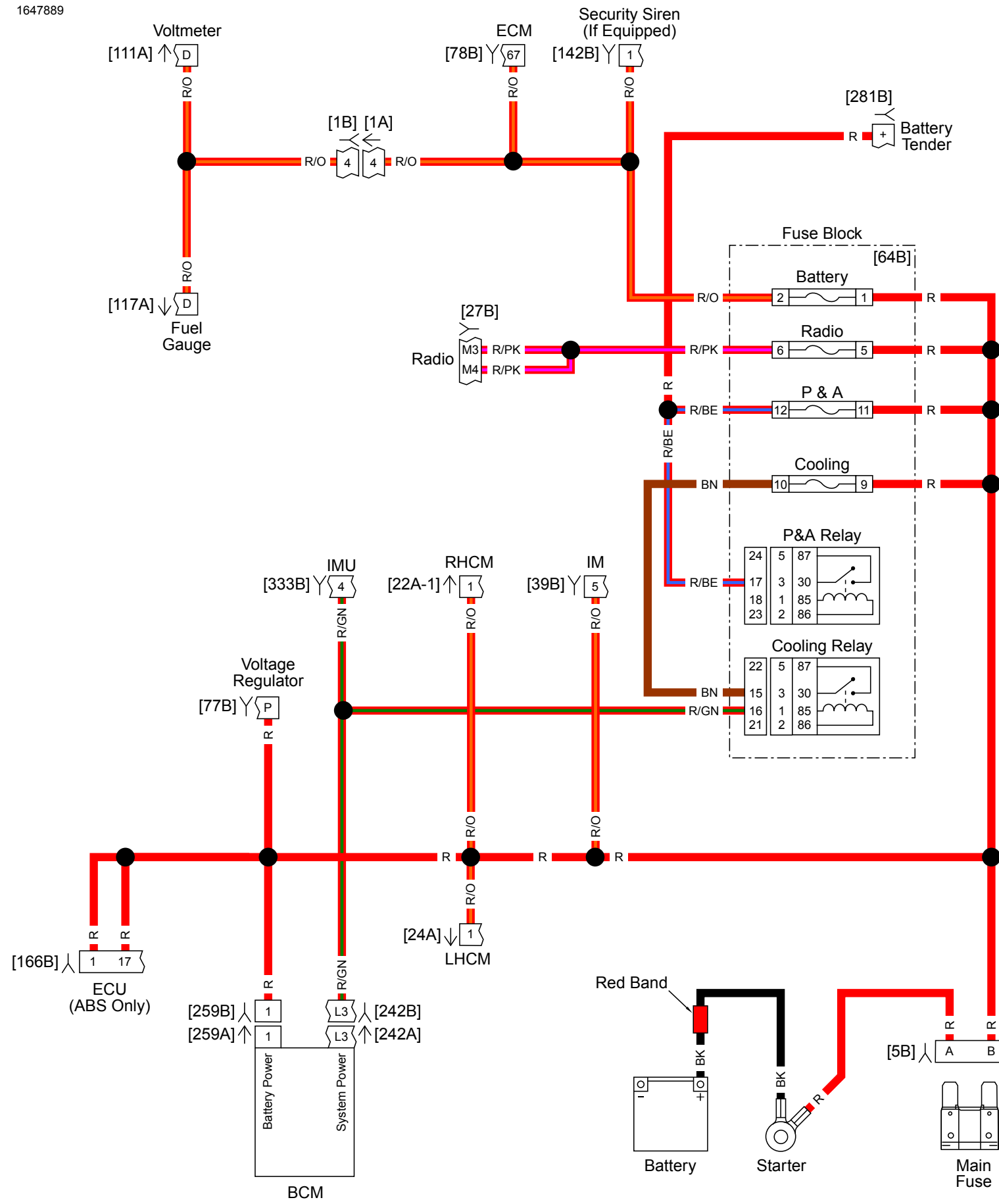
Engine Harness 2 of 2: 2023 RH975 Models



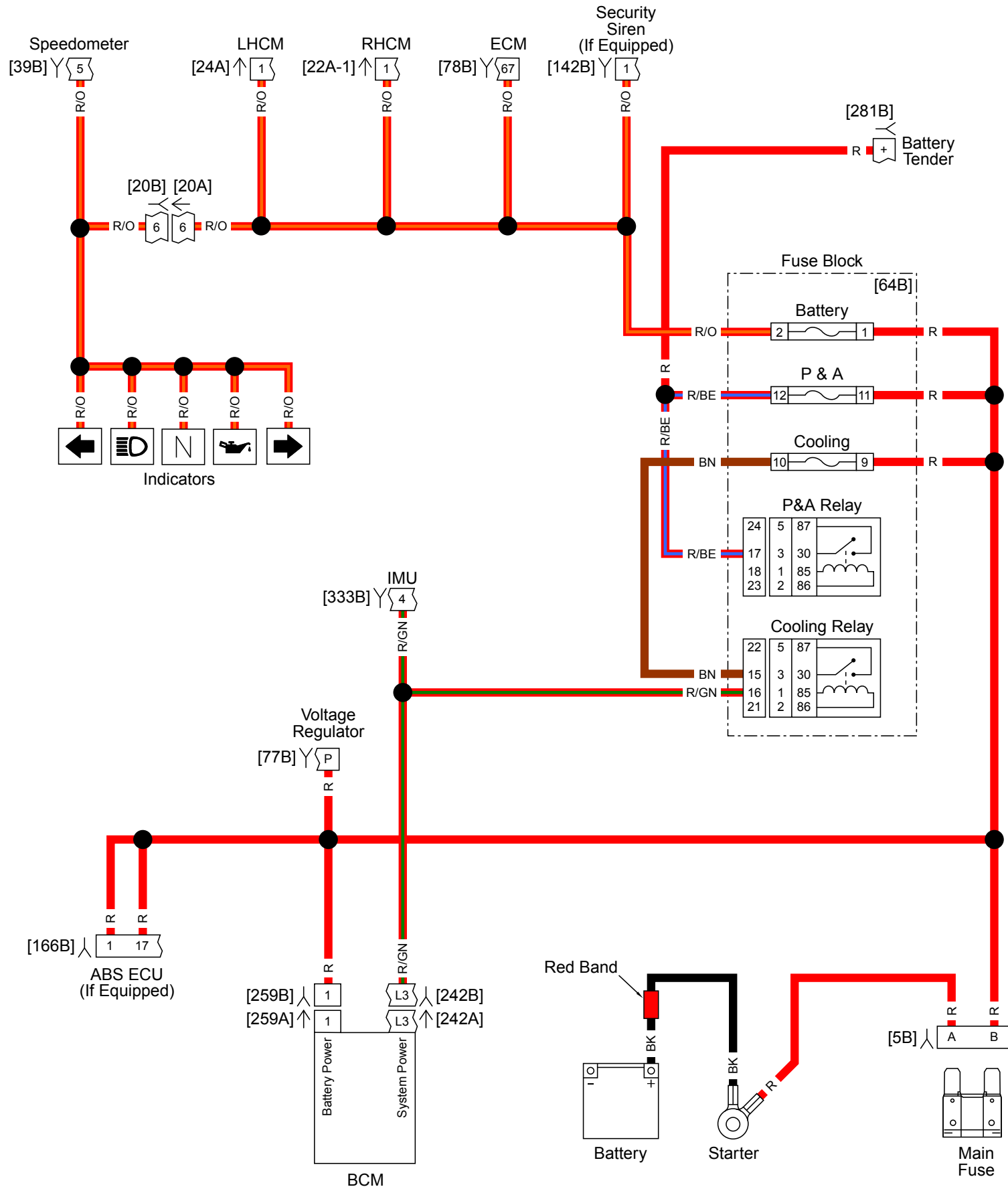
Rear Lighting: 2023 RH975 Models



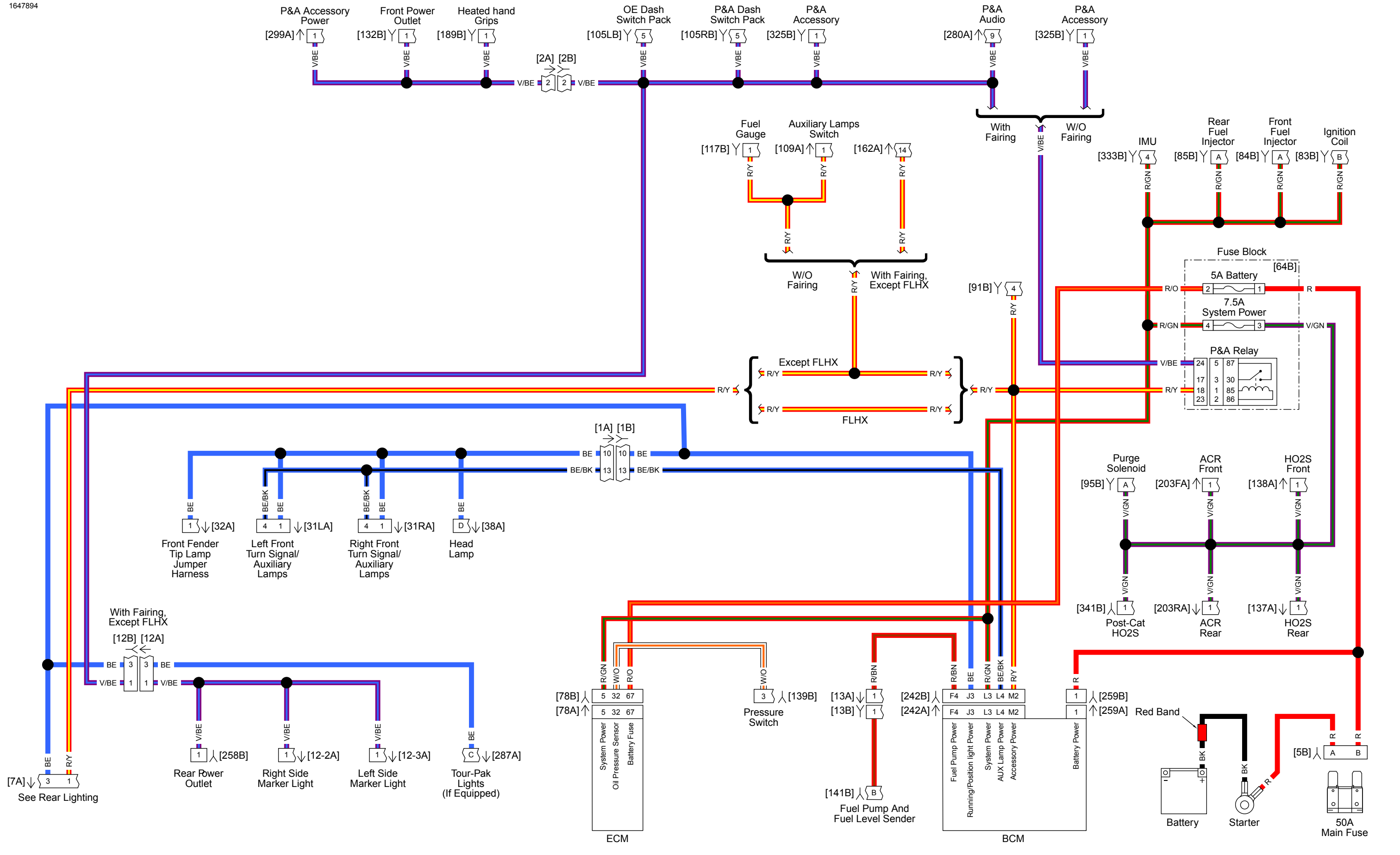
Battery Power Distribution: FLH with Fairing



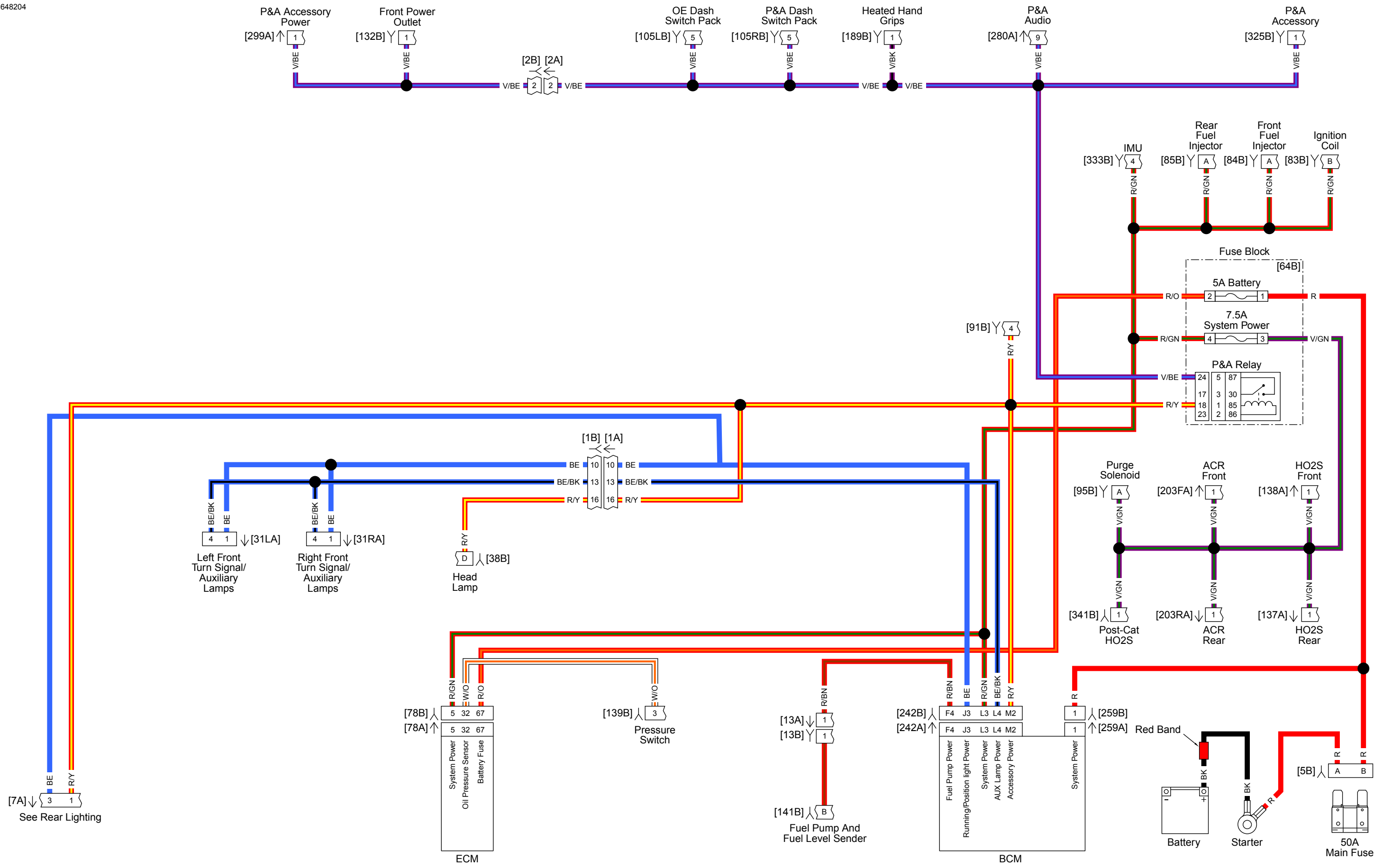
Battery Power Distribution: FLT



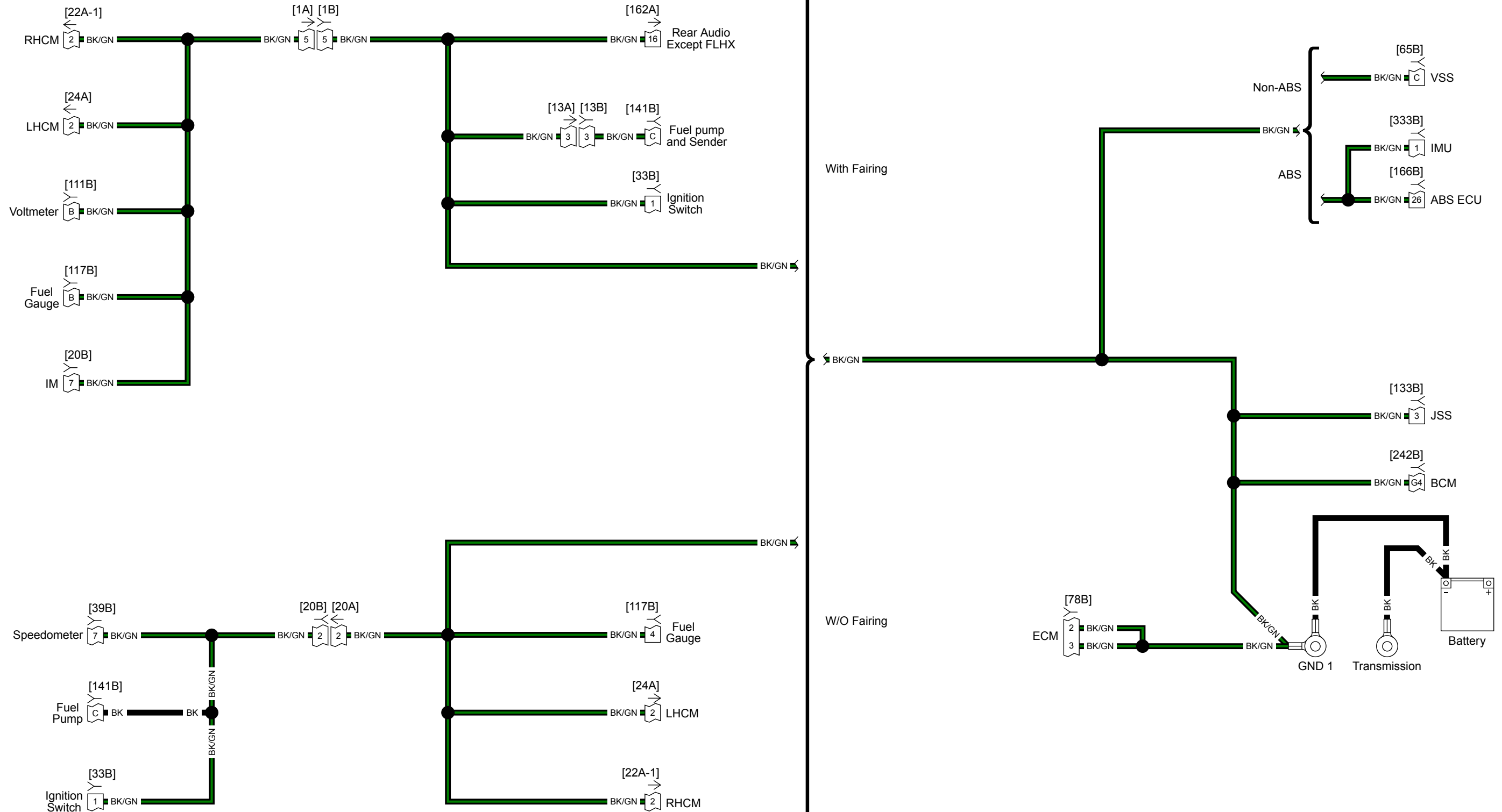
Battery Power Distribution without Fairing



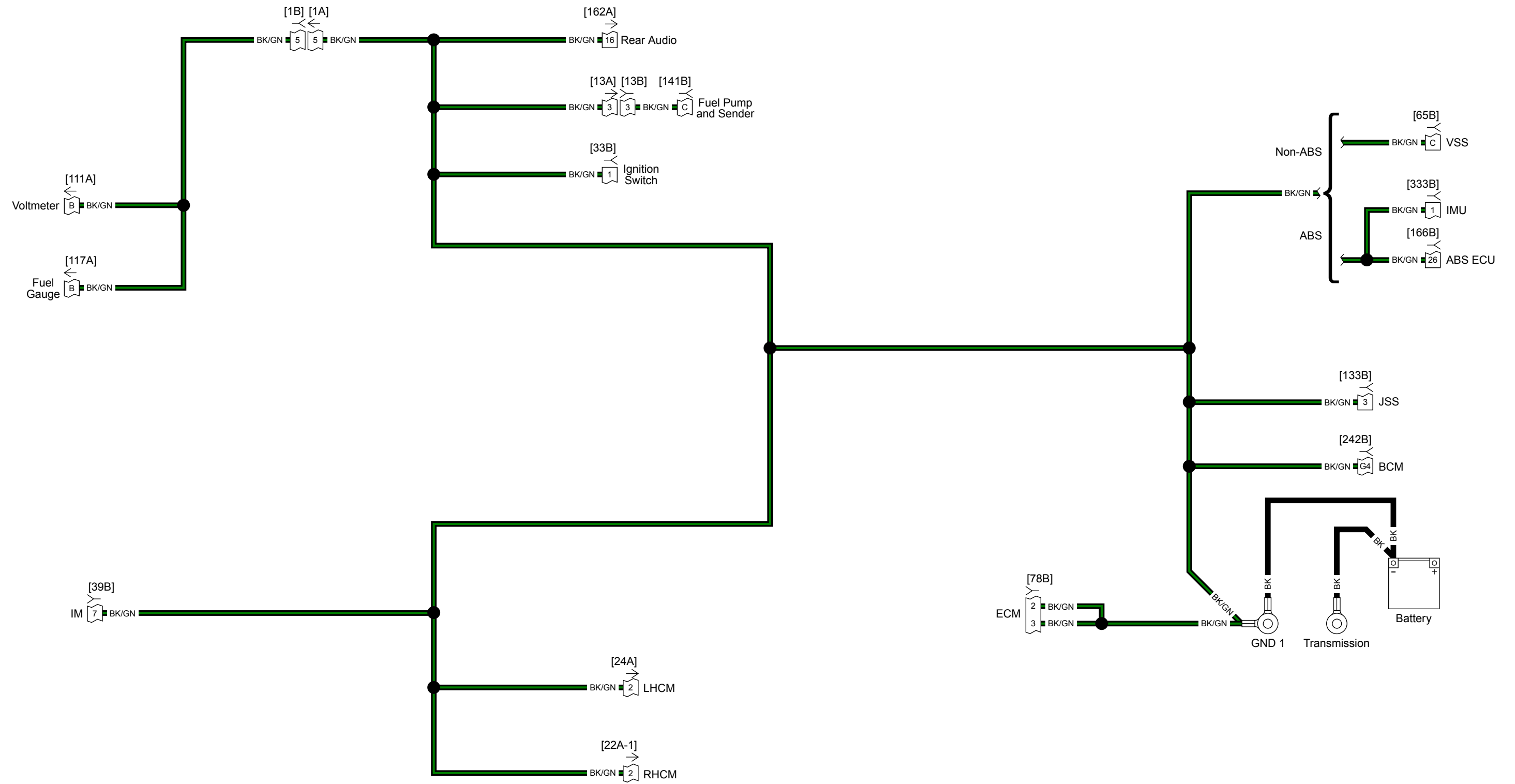
Ignition and ACC FLH: 2023 Touring



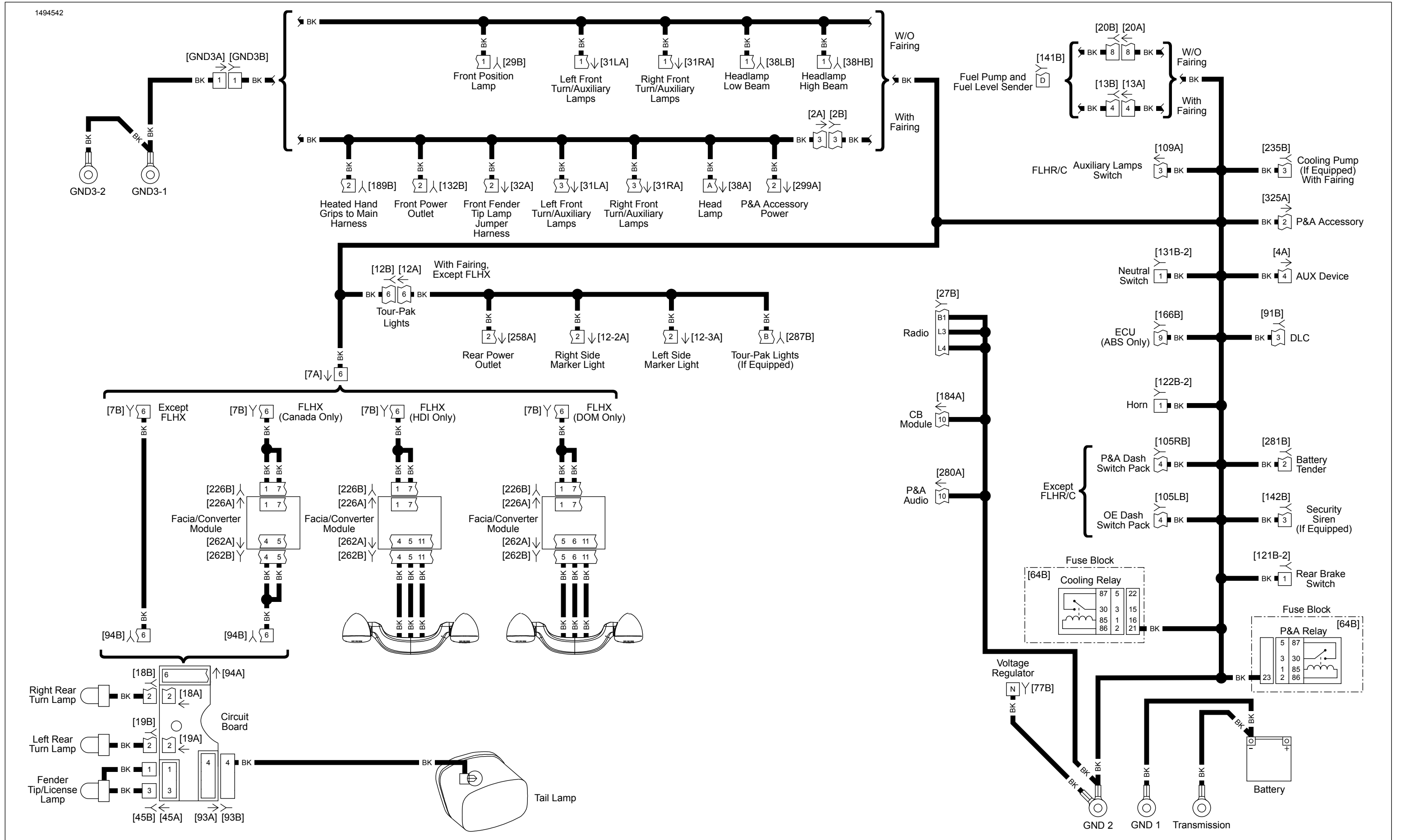
Ignition and ACC FLT: 2023 Touring



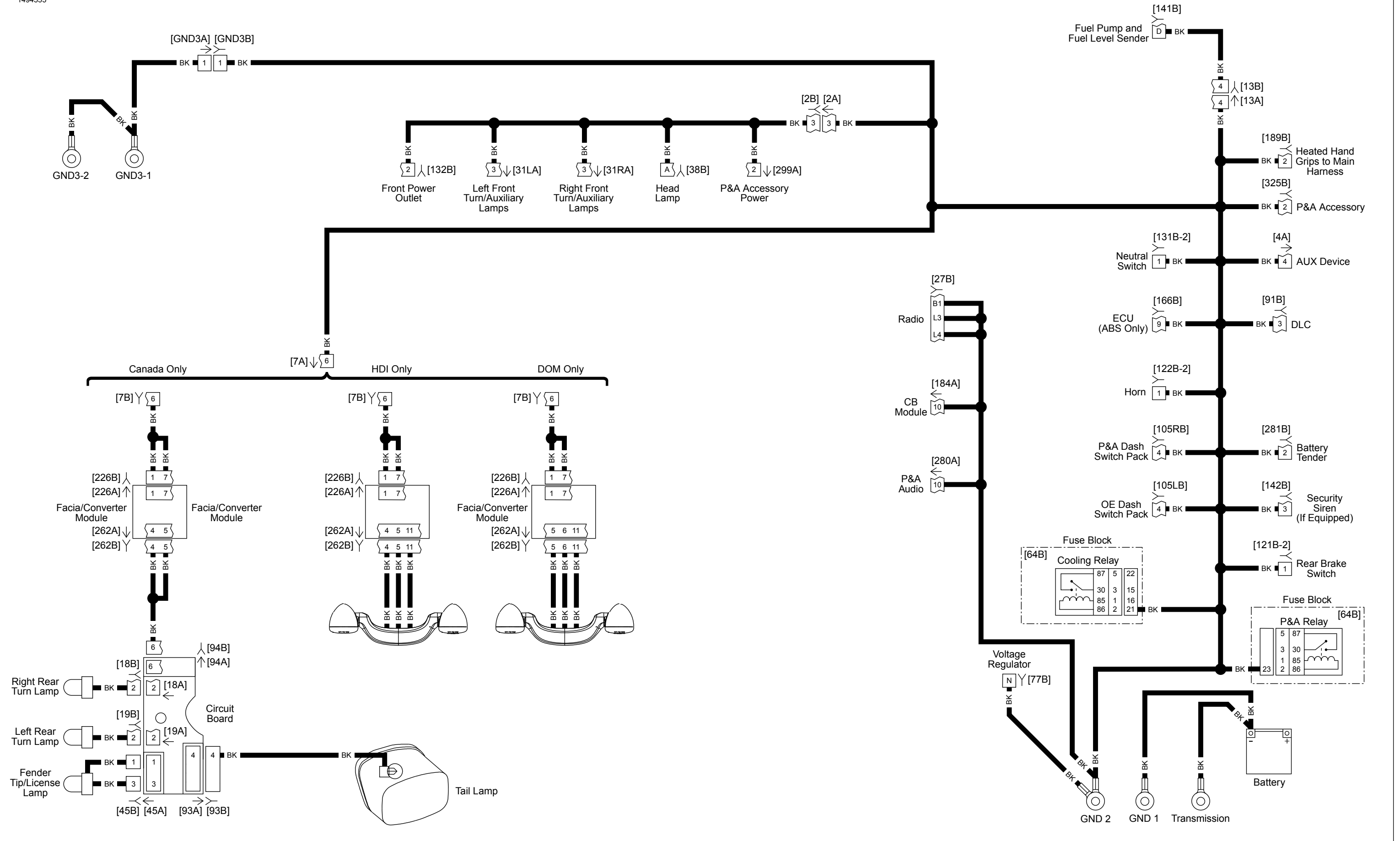
Sensor Grounds FLH: 2023 Touring



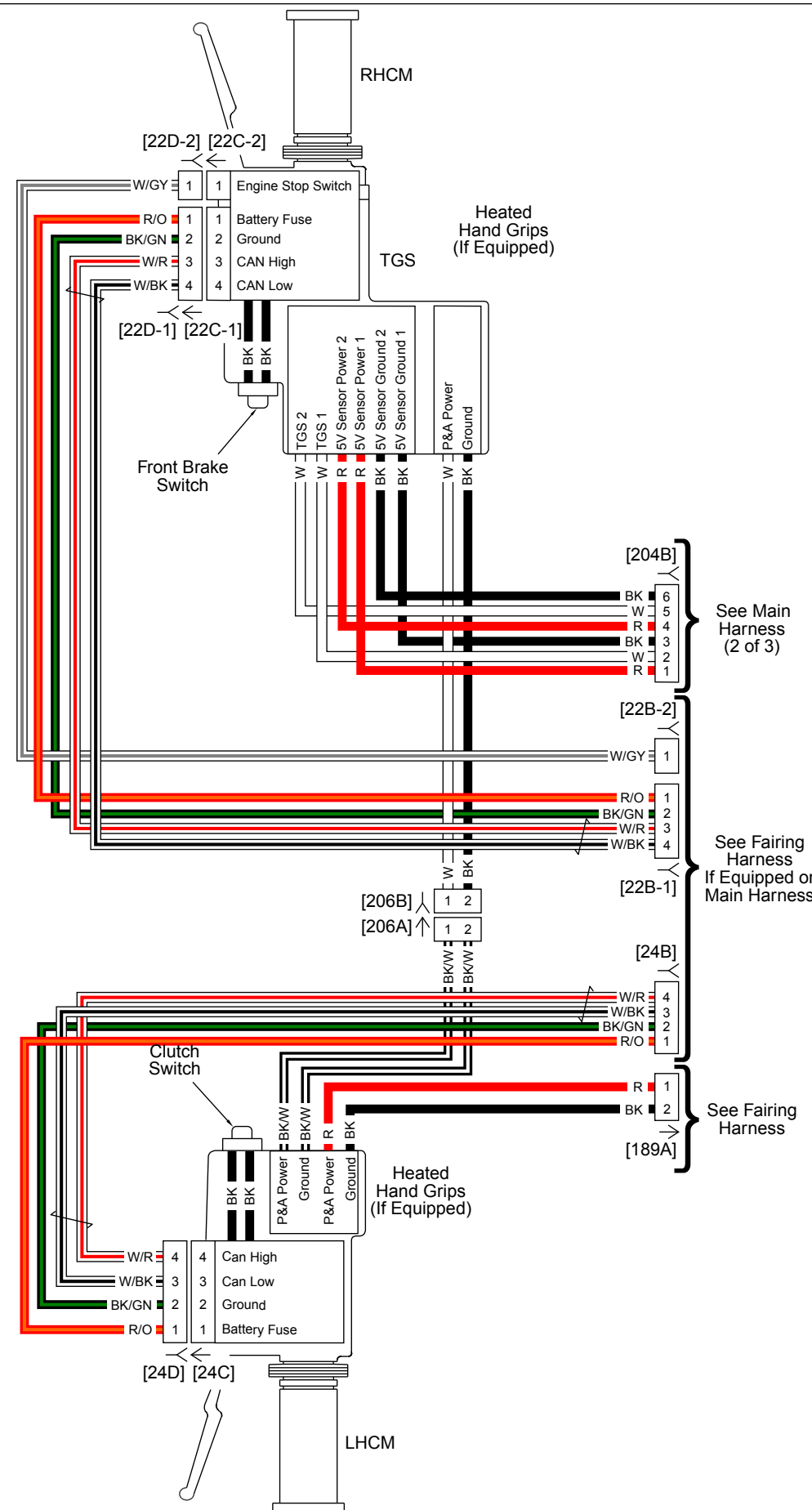
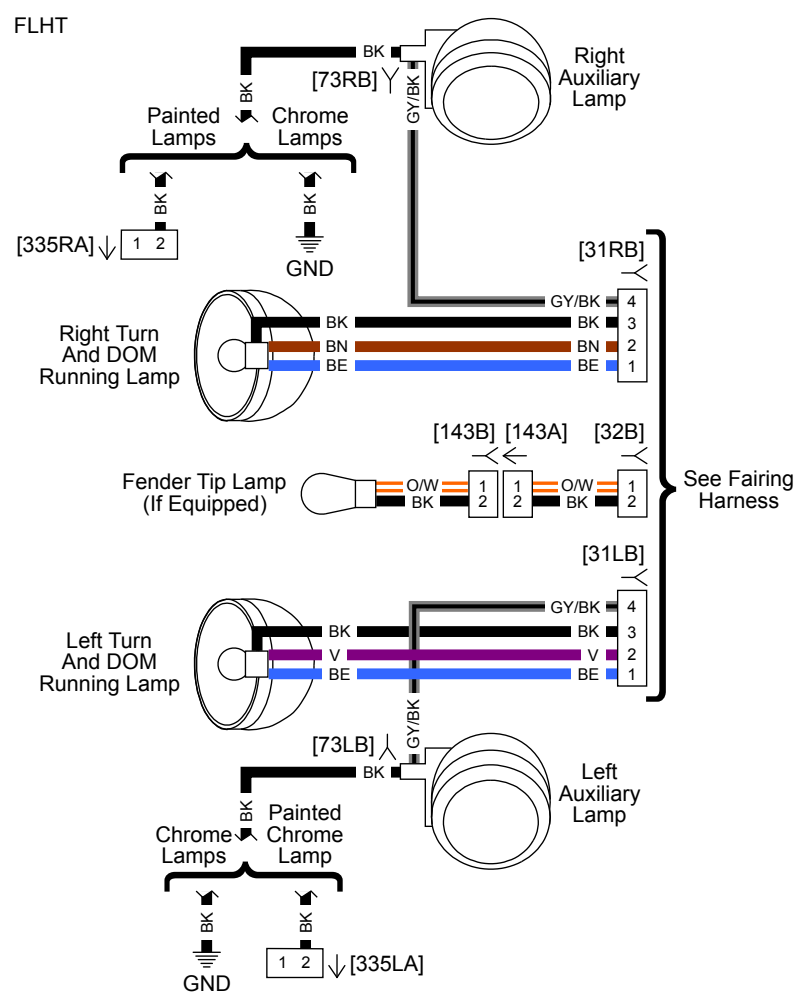
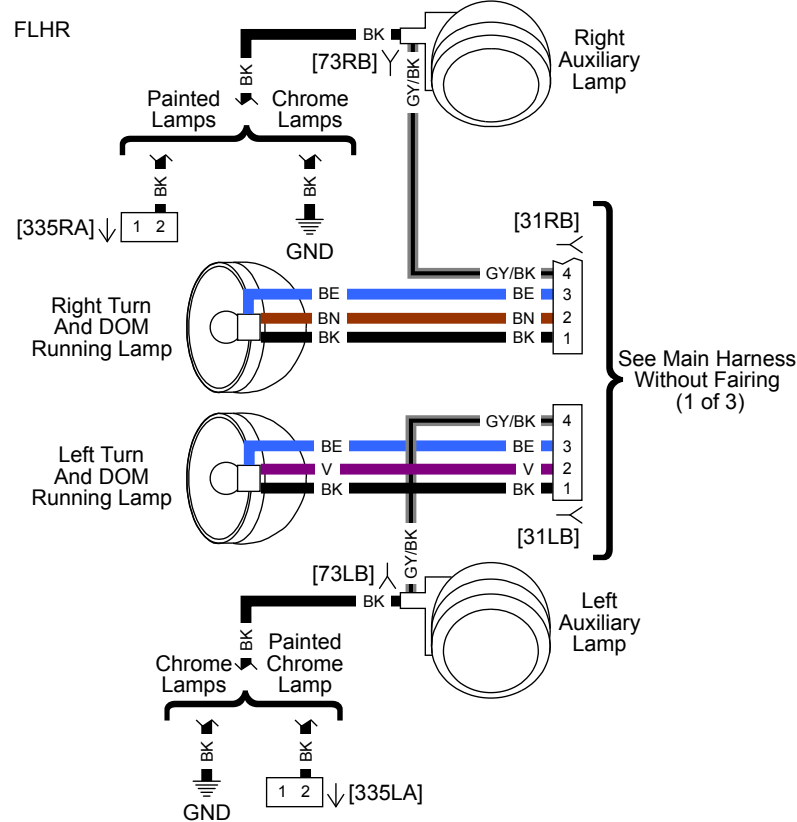
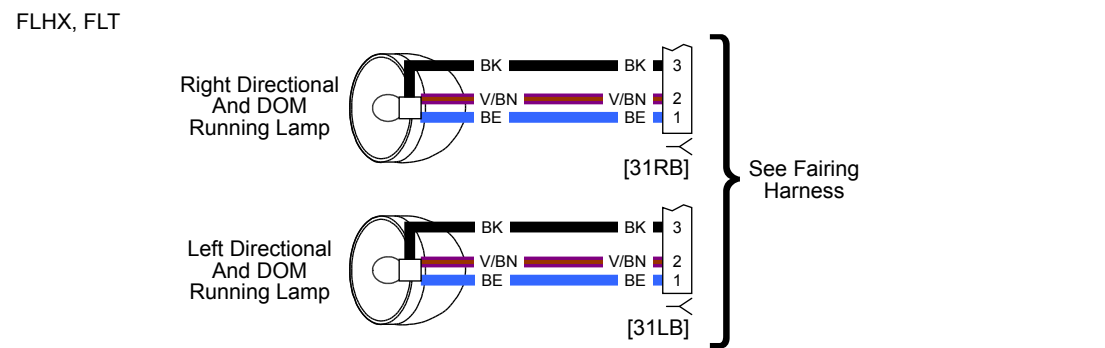
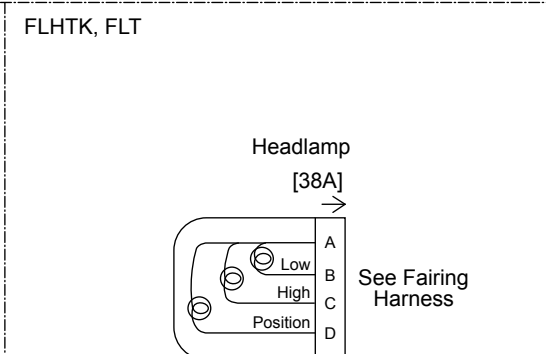
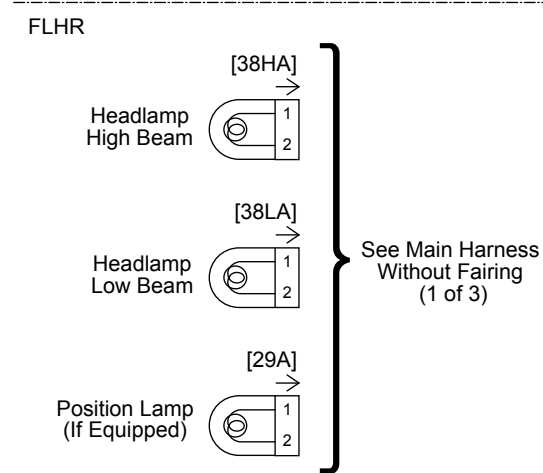
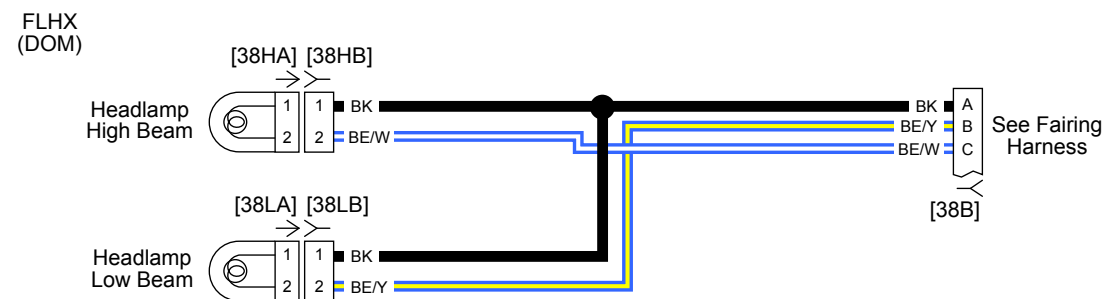
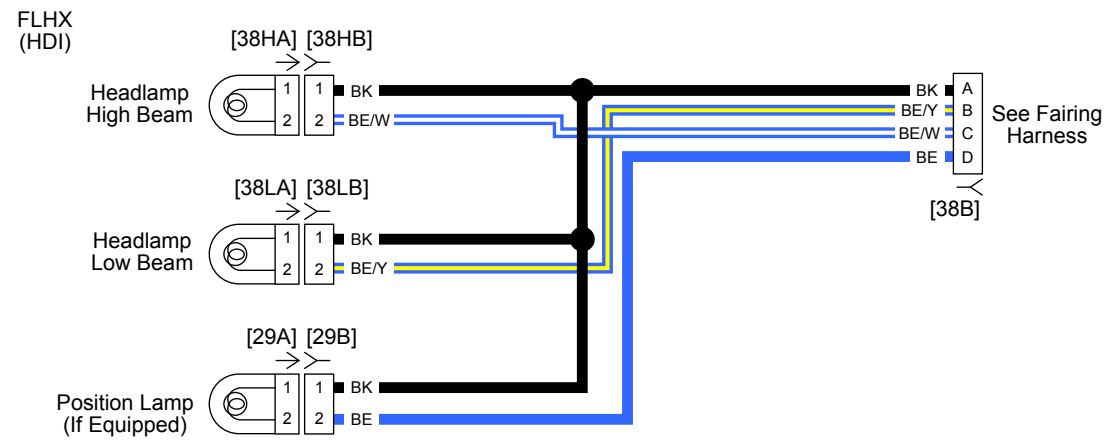
Sensor Grounds FLT: 2023 Touring



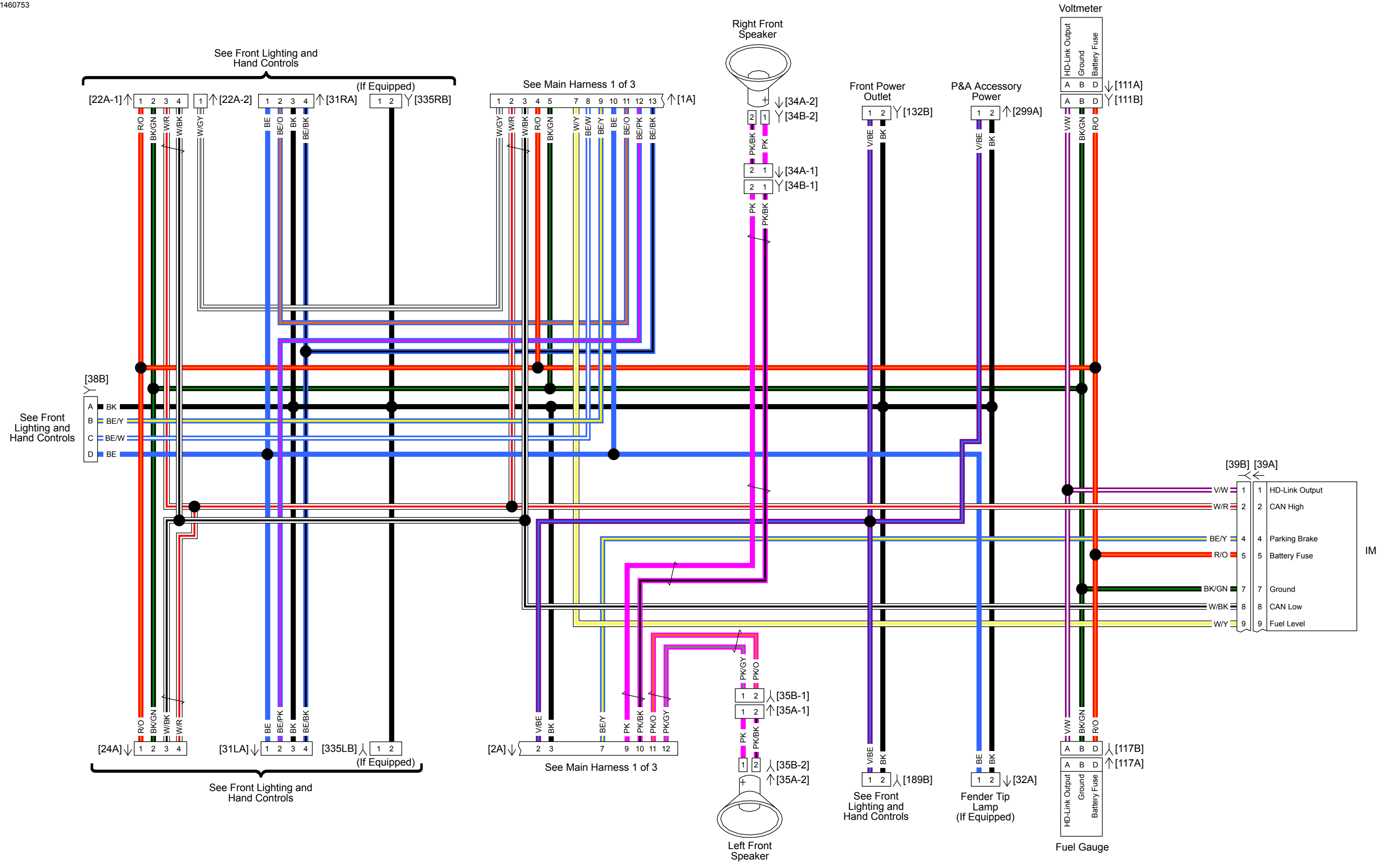
Ground Circuit FLH: 2023 Touring



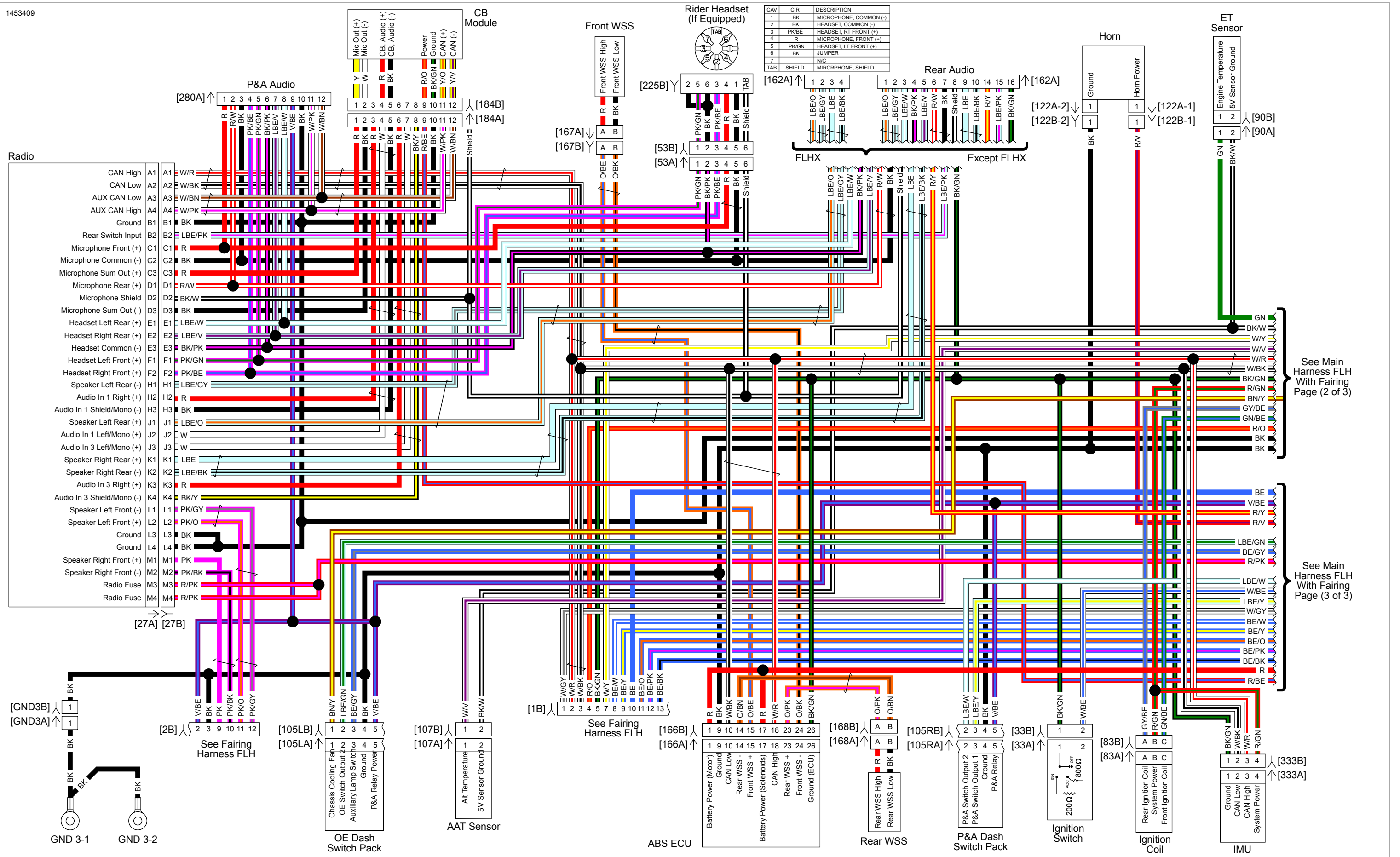
Ground Circuit FLT: 2022 Touring



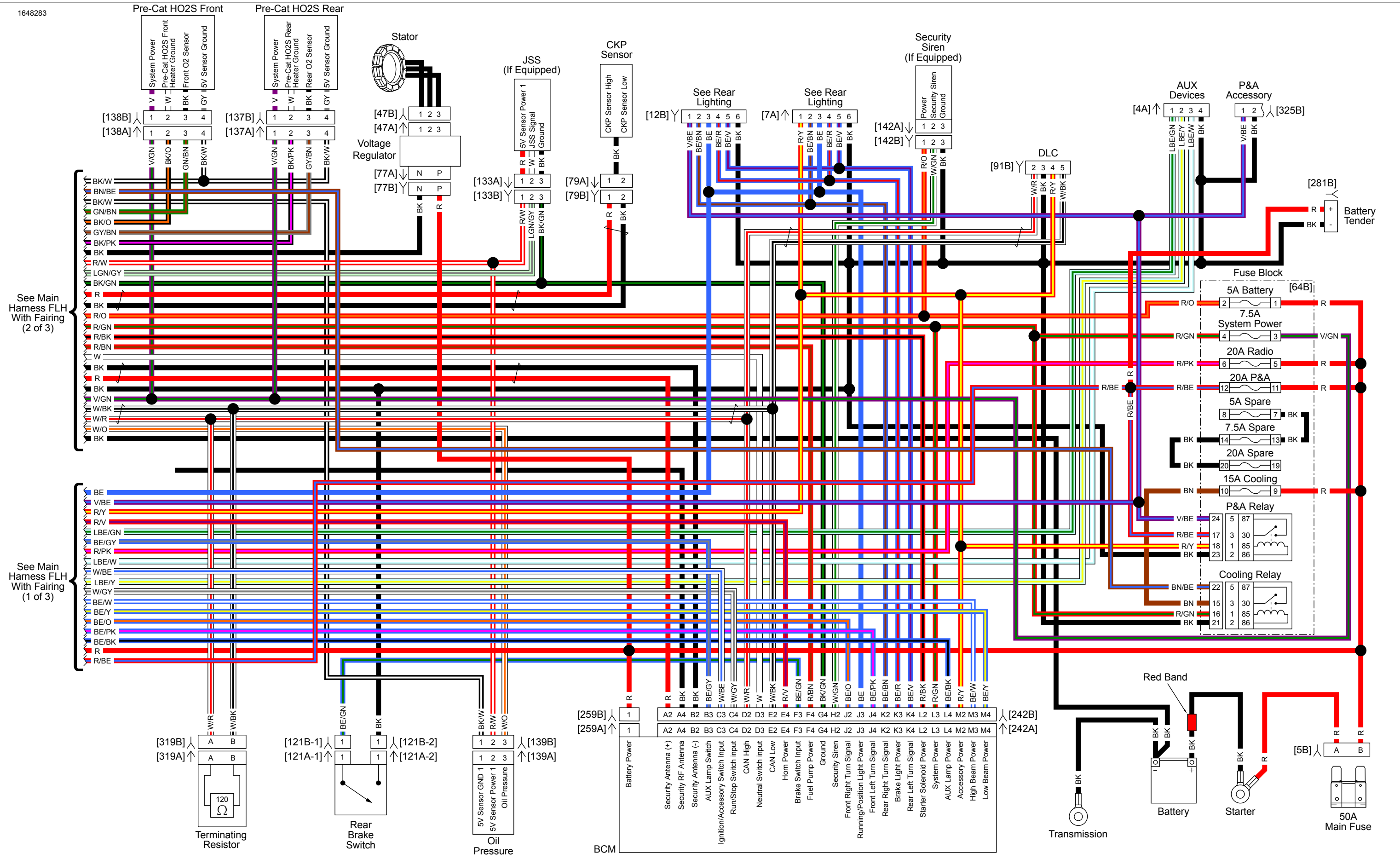
Front Lighting and Hand Controls: 2023 Touring



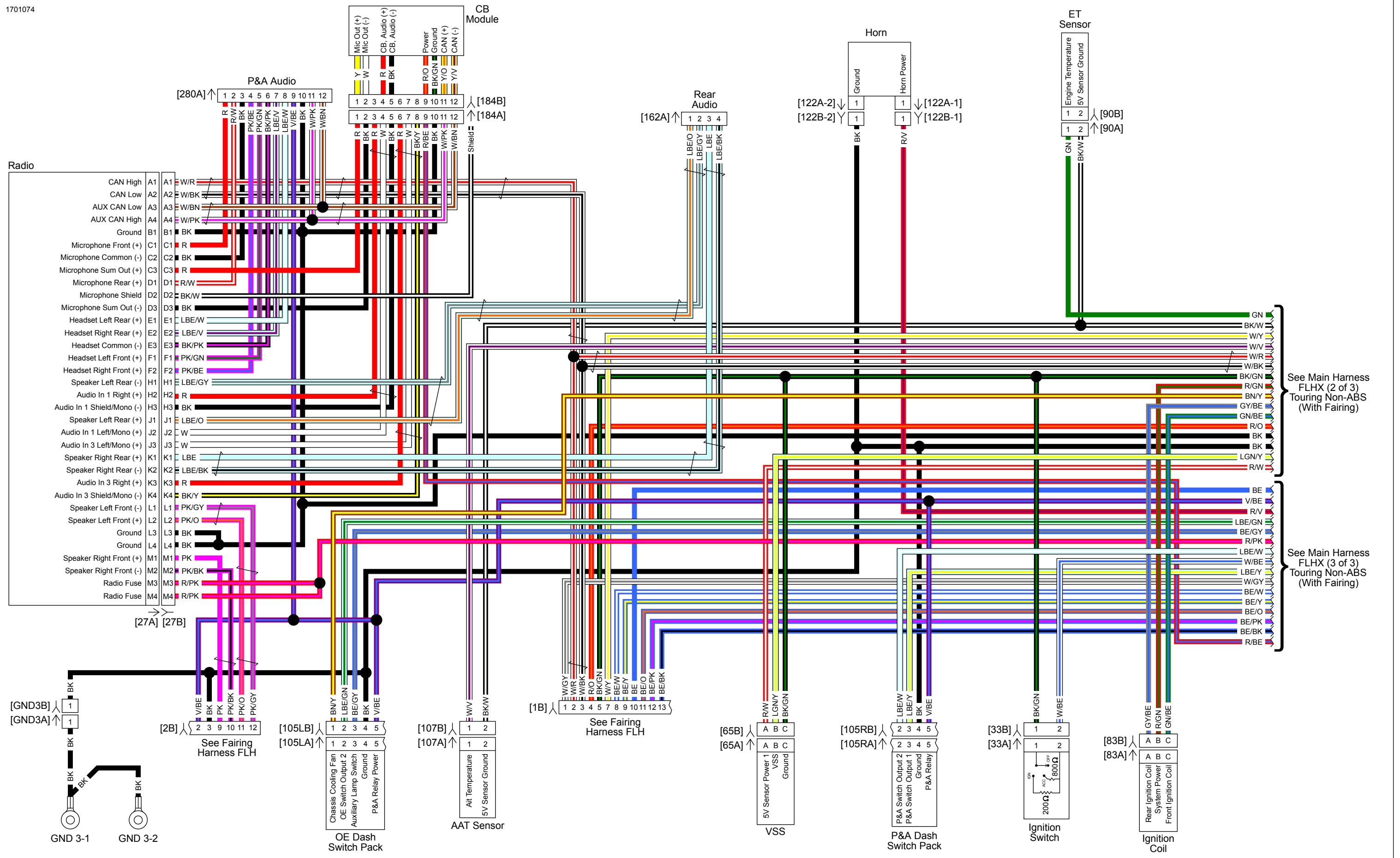
Fairing Harness FLH: 2023 Touring



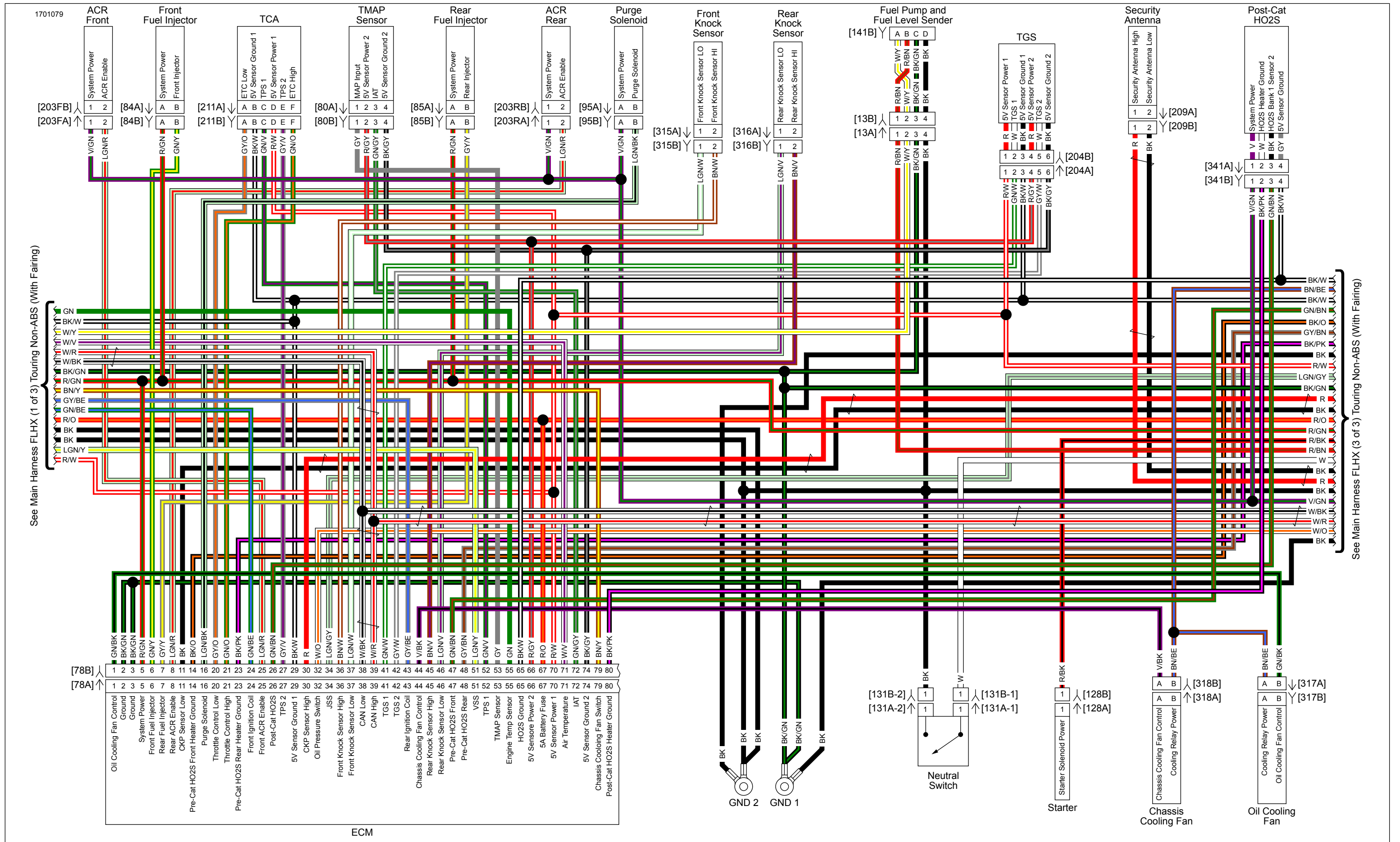
Main Harness FLH (1 of 3): 2023 Touring (with Fairing)



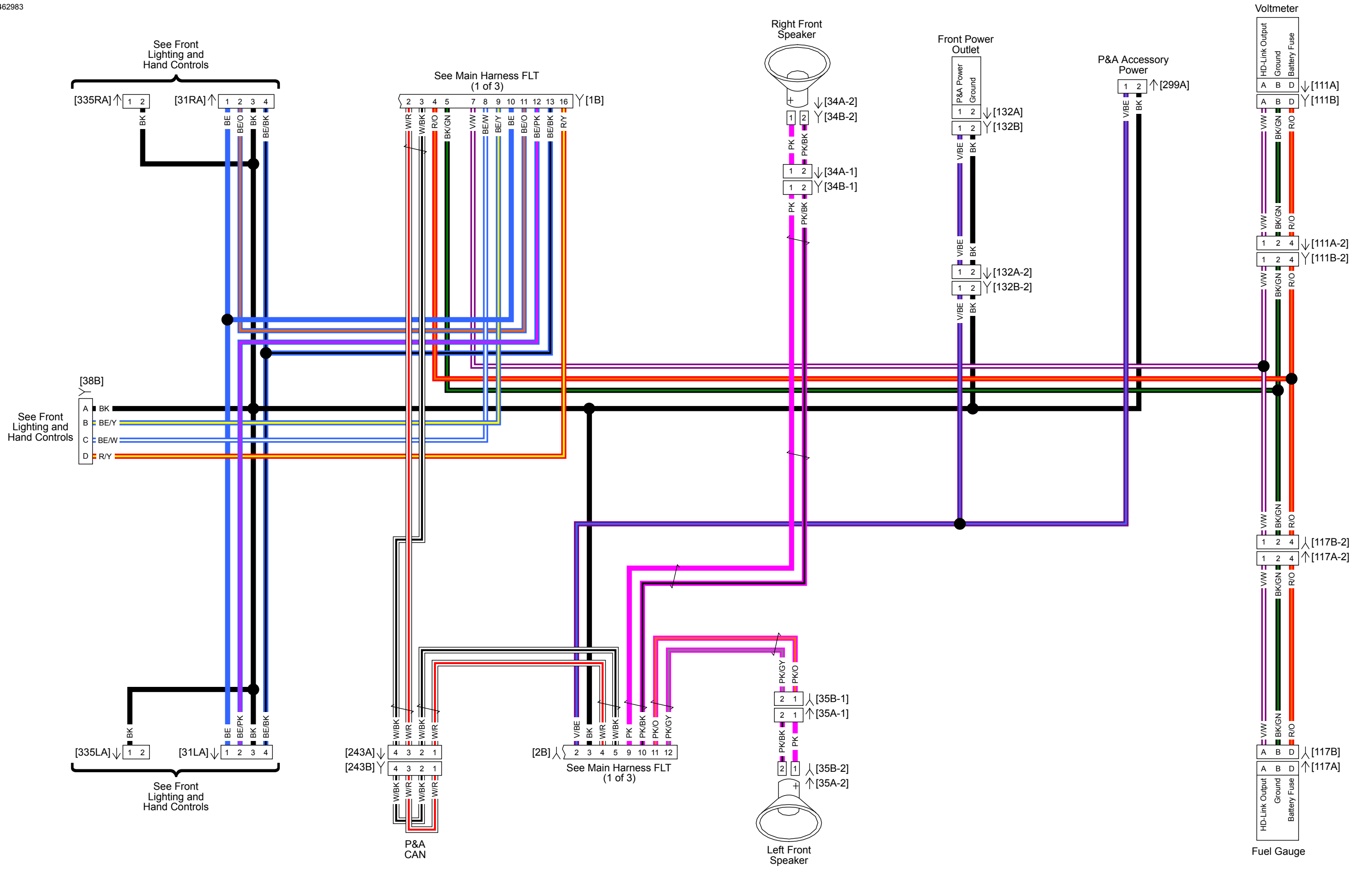
Main Harness FLH (3 of 3): 2023 Touring (with Fairing)



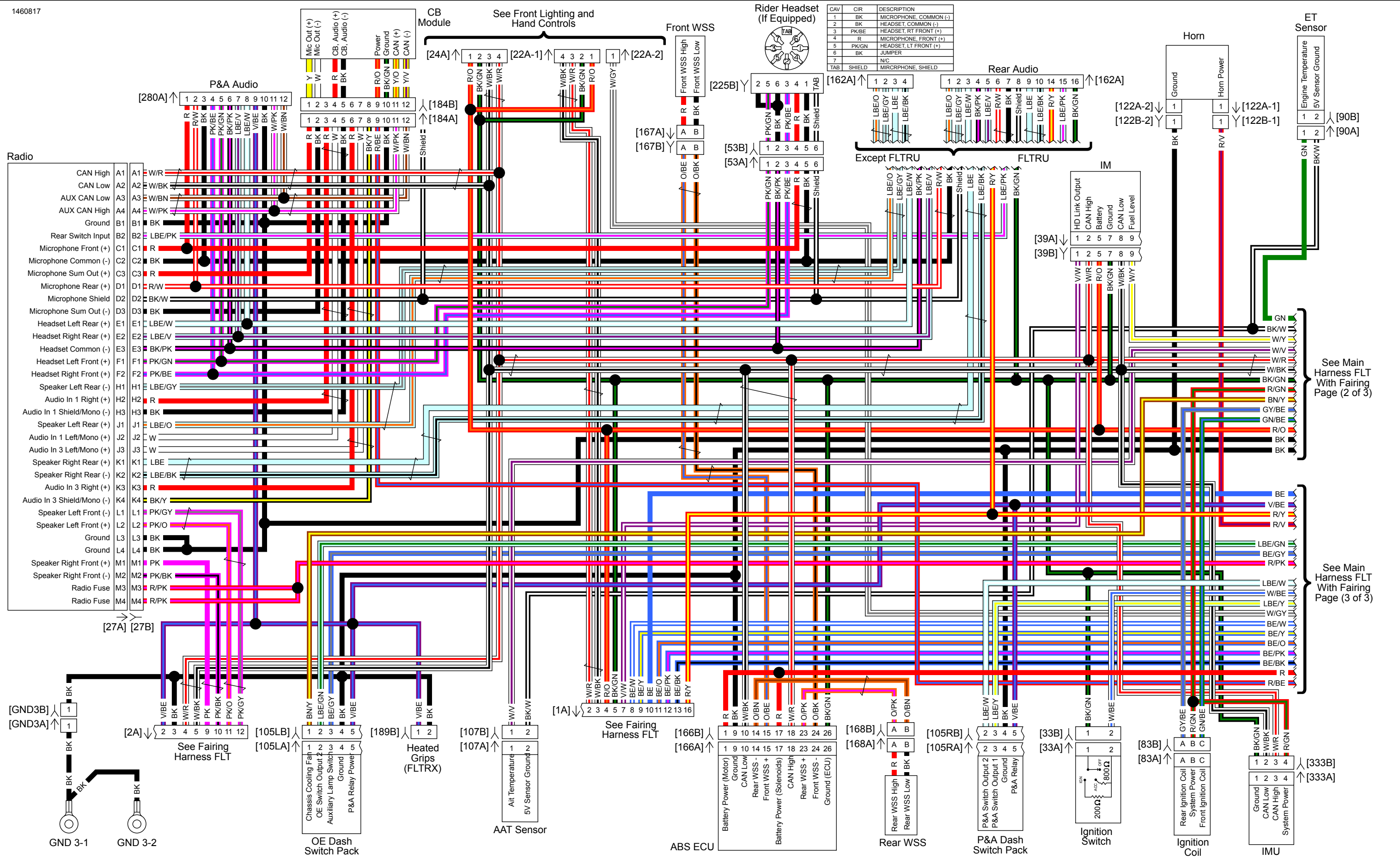
Main Harness FLHX (1 of 3): 2023 Touring Non-ABS (with Fairing)



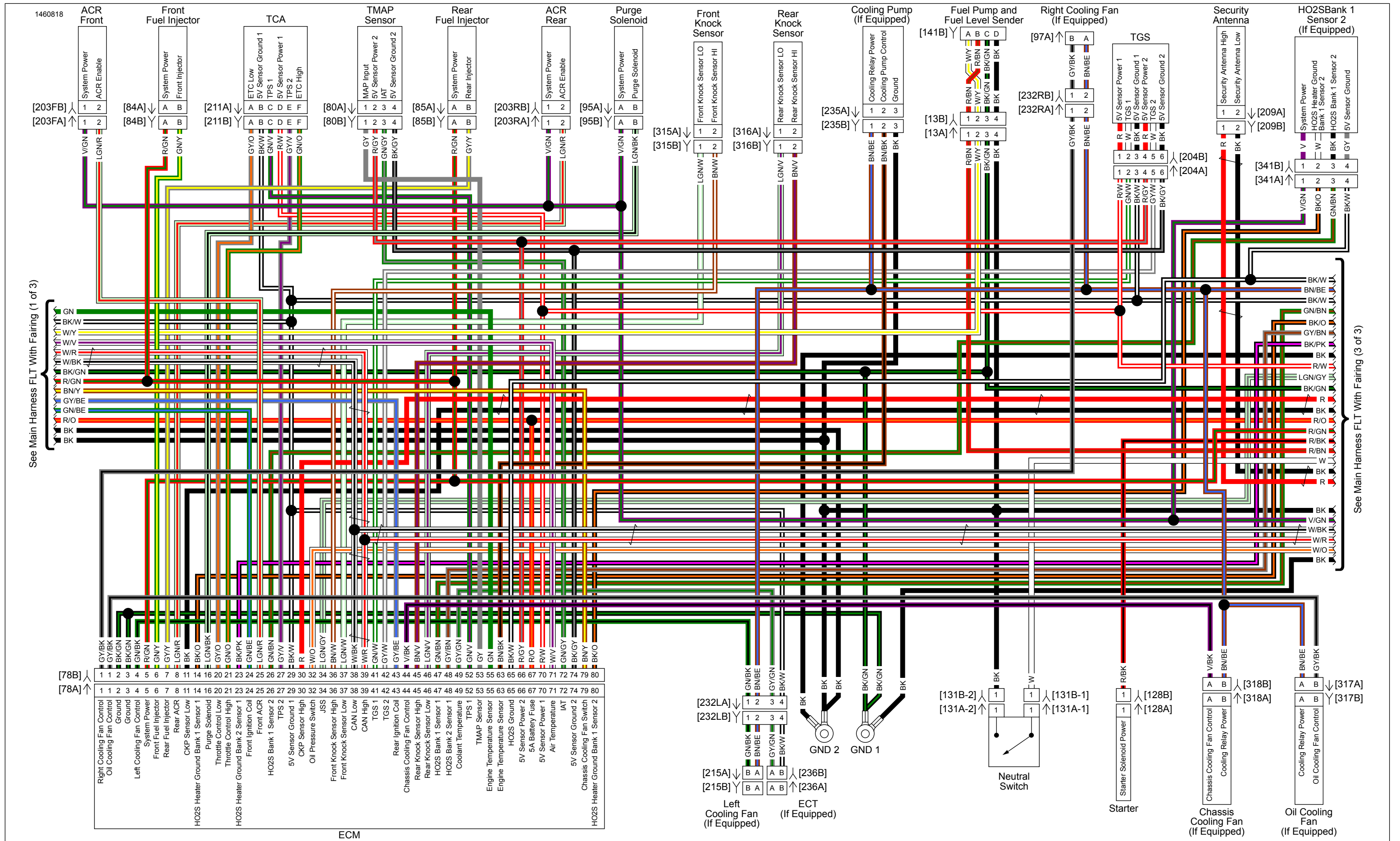
Main Harness FLHX (2 of 3): 2023 Touring Non-ABS (with Fairing)



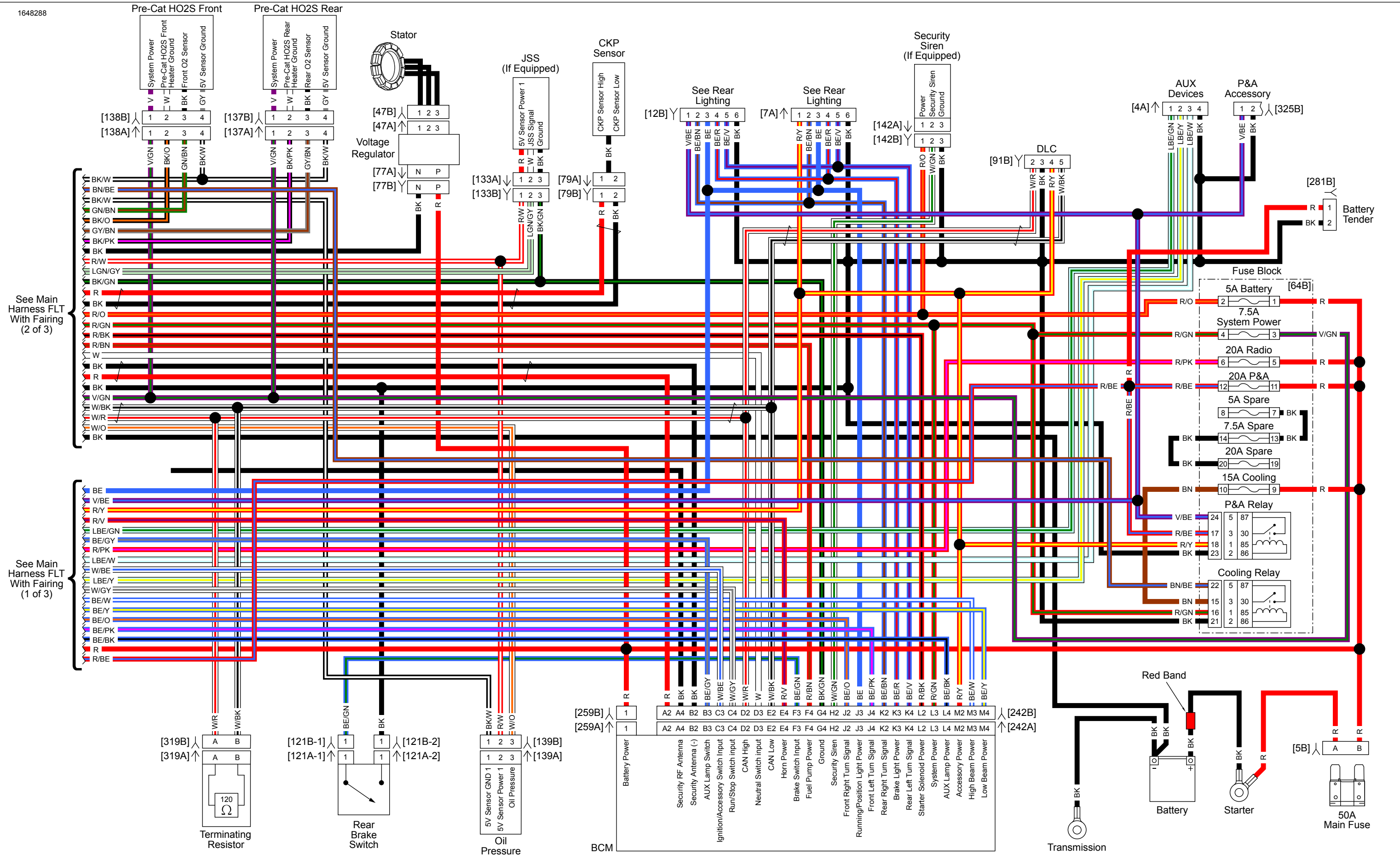
Fairing Harness FLT: 2023 Touring



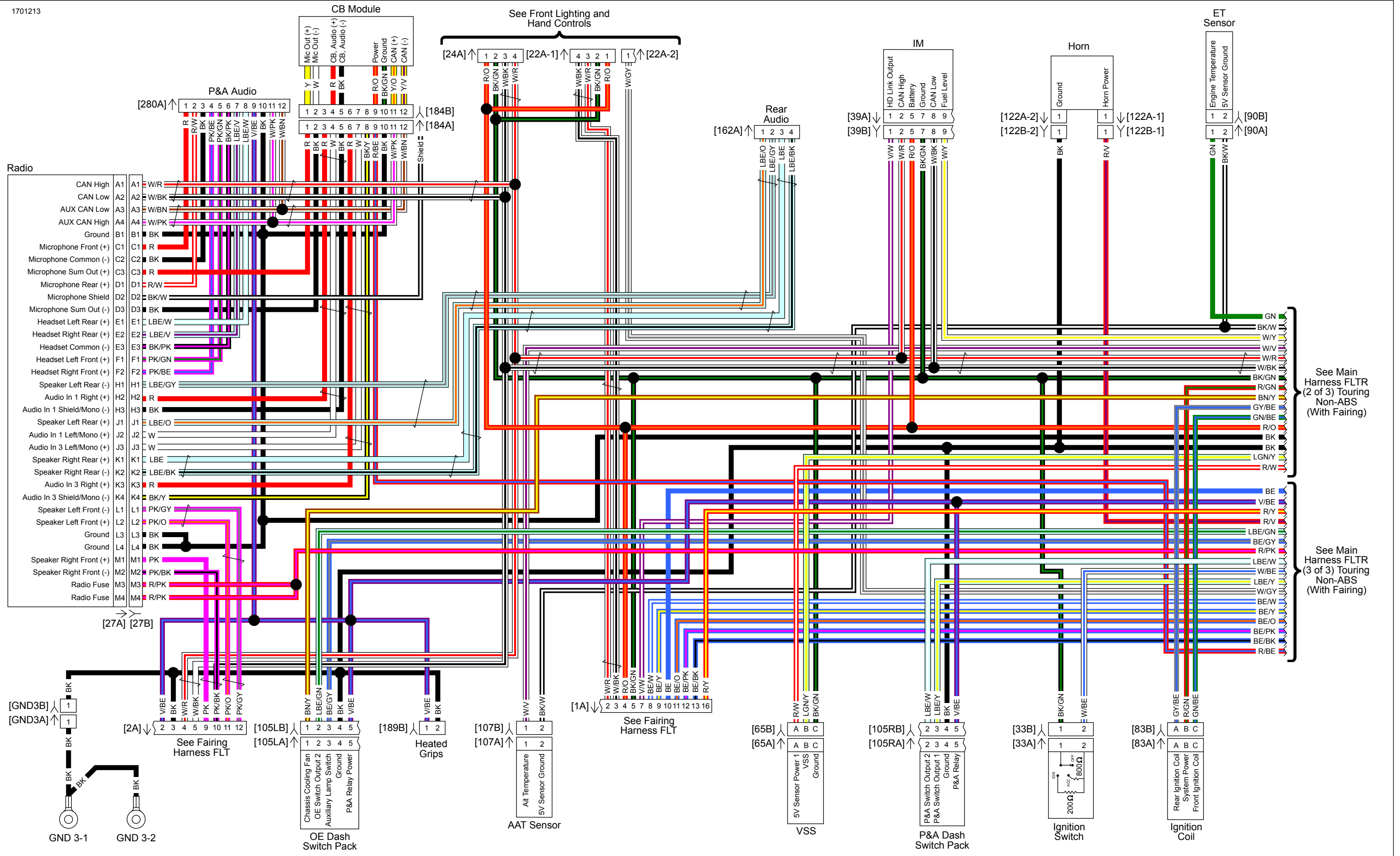
Main Harness FLT (1 of 3): 2023 Touring (with Fairing)



Main Harness FLT (2 of 3): 2023 Touring (with Fairing)



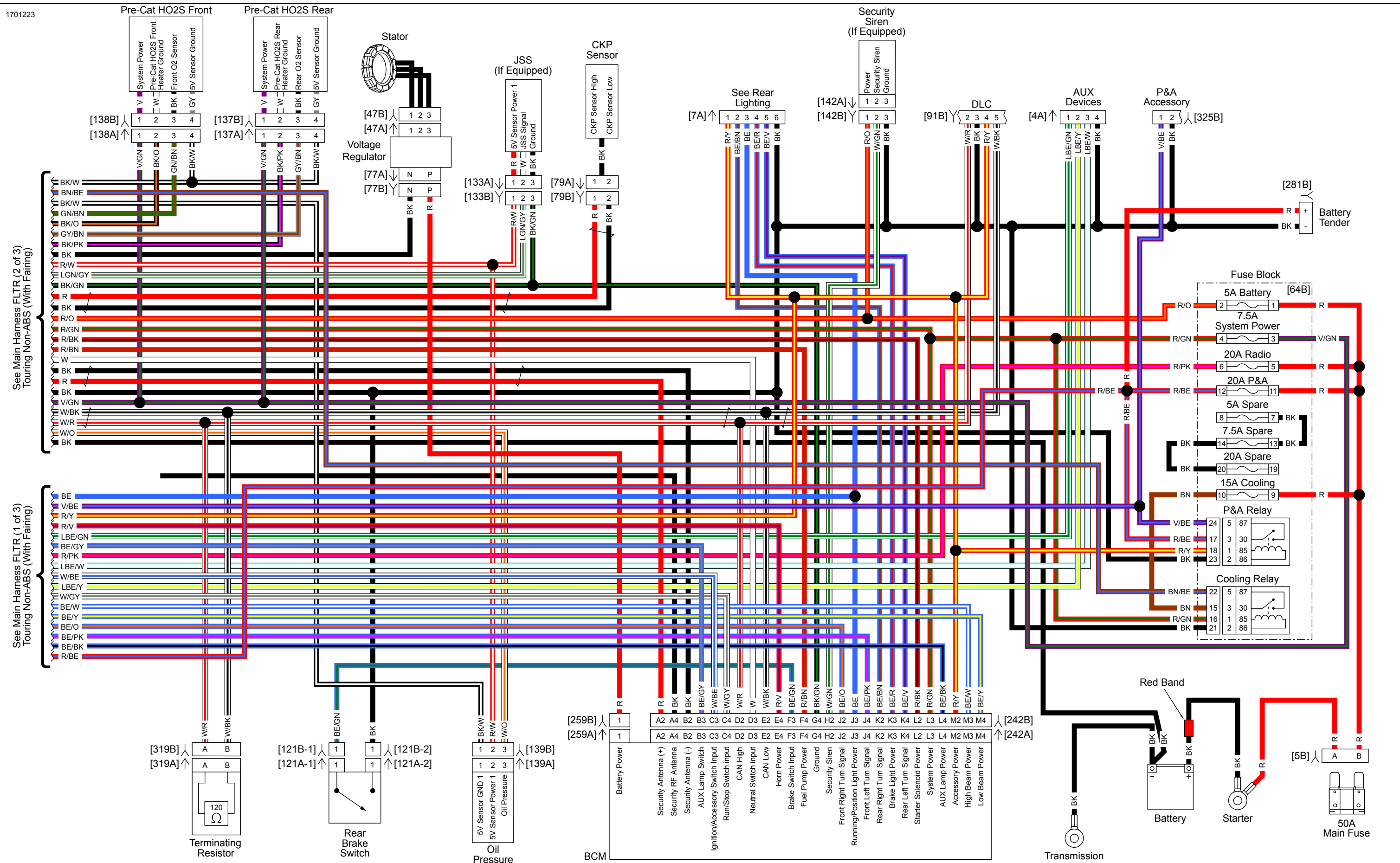
Main Harness FLT (3 of 3): 2023 Touring (with Fairing)



See Main
Harness FLTR
(2 of 3) Touring
Non-ABS
(With Fairing)

See Main
Harness FLTR
(3 of 3) Touring
Non-ABS
(With Fairing)

Main Harness FLTR (1 of 3): 2023 Touring Non-ABS (with Fairing)



Main Harness FLTR (3 of 3): 2023 Touring Non-ABS (with Fairing)

See Front Lighting and Hand Controls

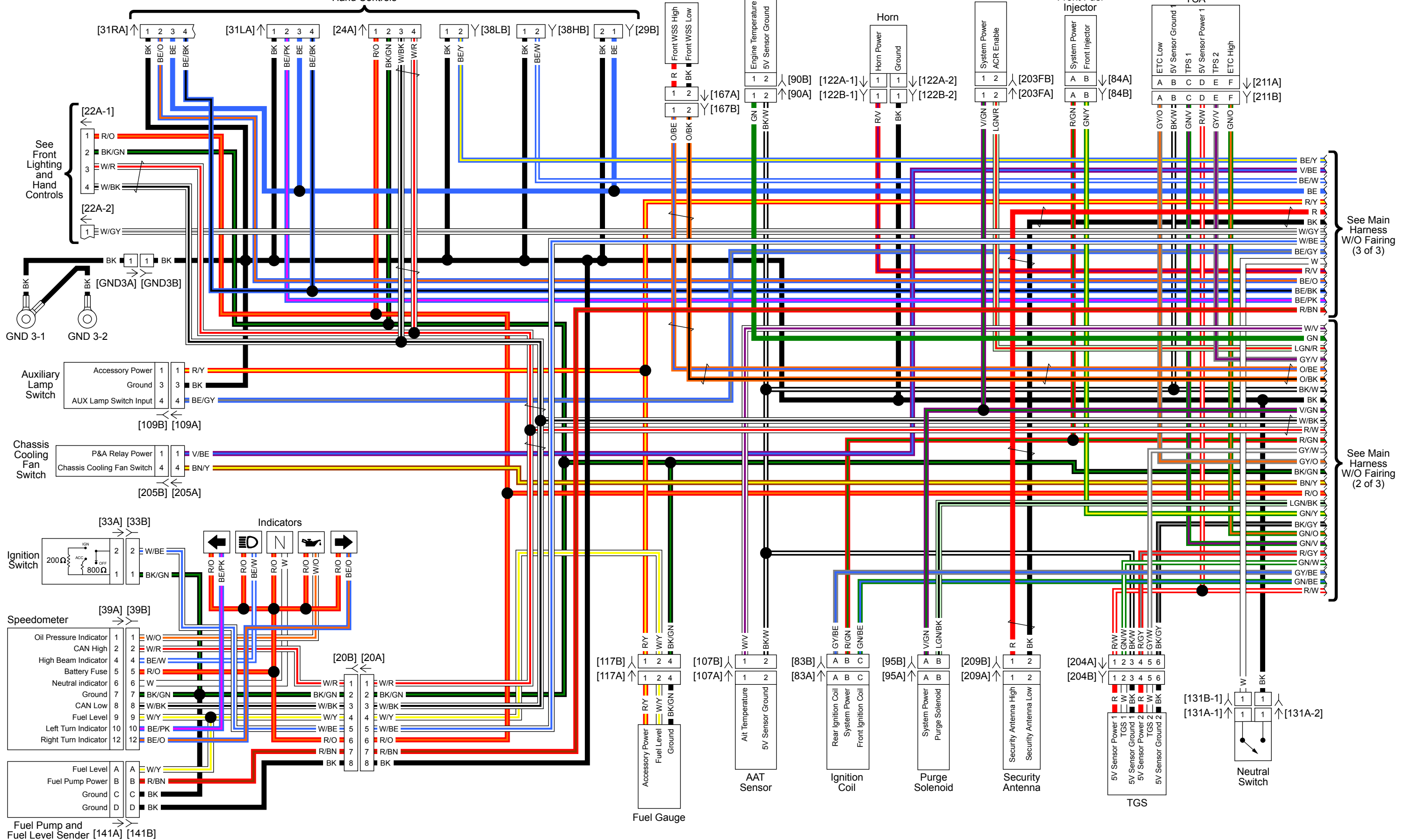
Front WSS (If Equipped)

ET Sensor

ACR Front

Front Fuel Injector

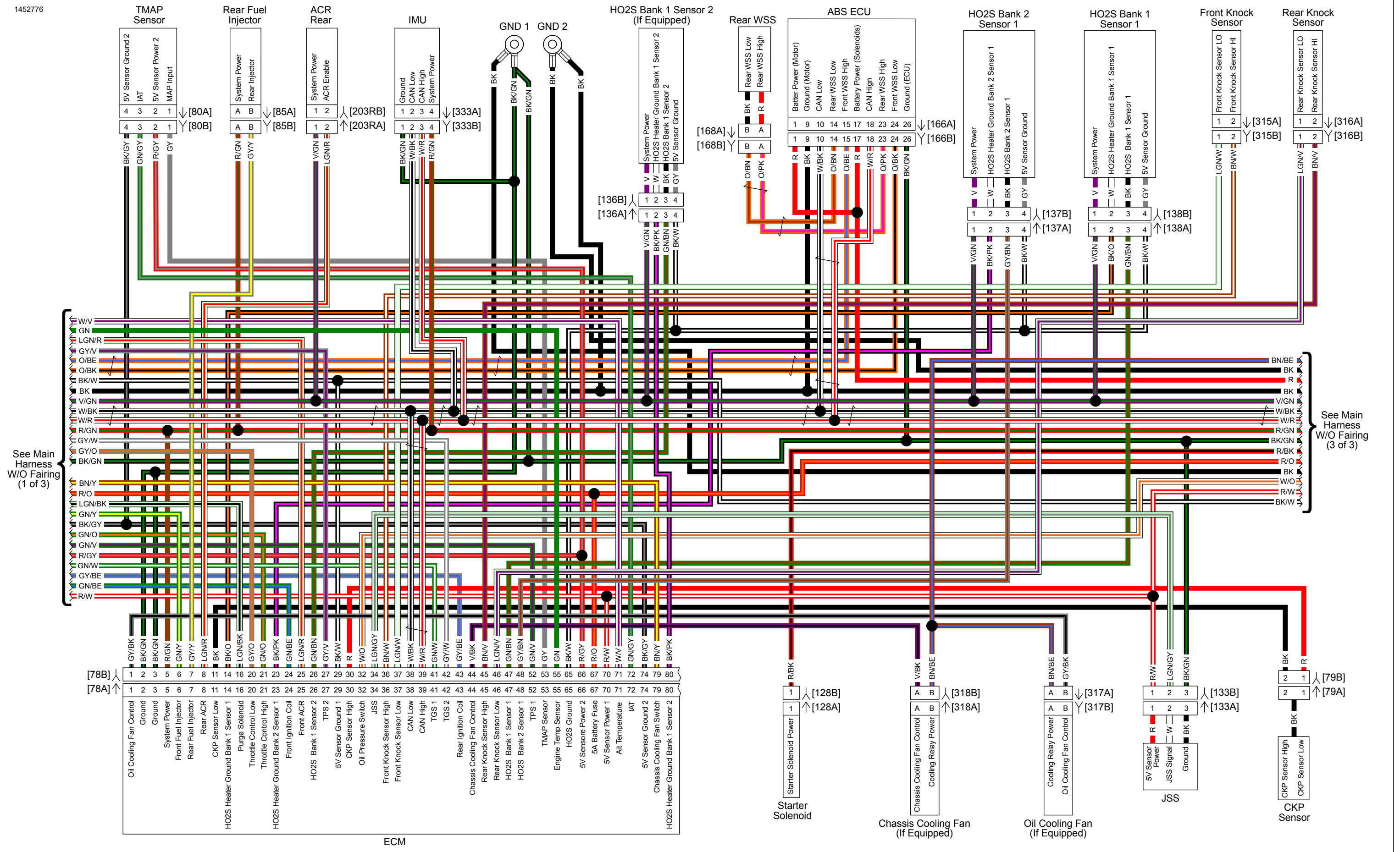
TCA



See Main Harness W/O Fairing (3 of 3)

See Main Harness W/O Fairing (2 of 3)

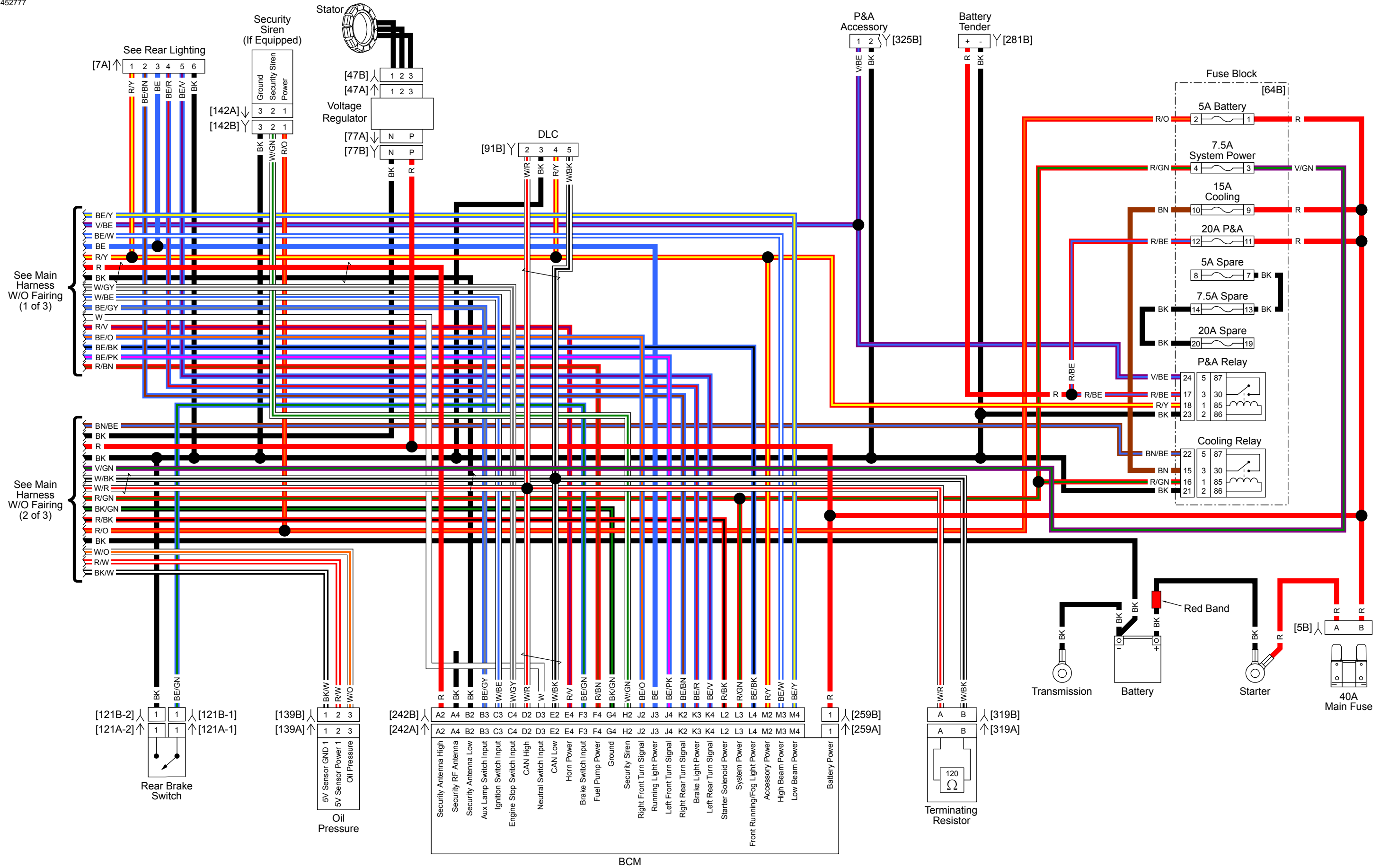
Main Harness (1 of 3): 2023 Touring (without Fairing)



See Main Harness W/O Fairing (1 of 3)

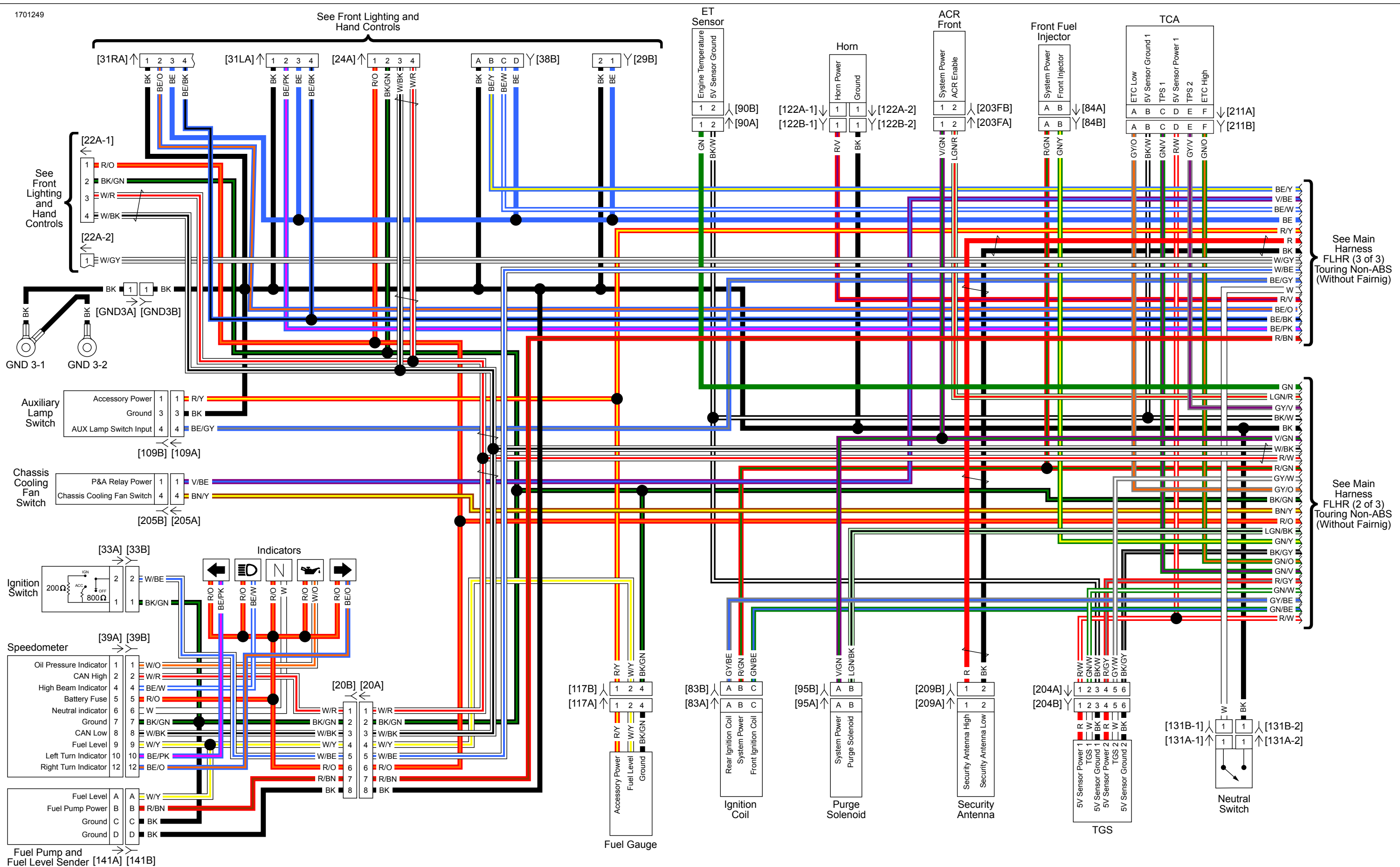
See Main Harness W/O Fairing (3 of 3)

Main Harness (2 of 3): 2023 Touring (without Fairing)

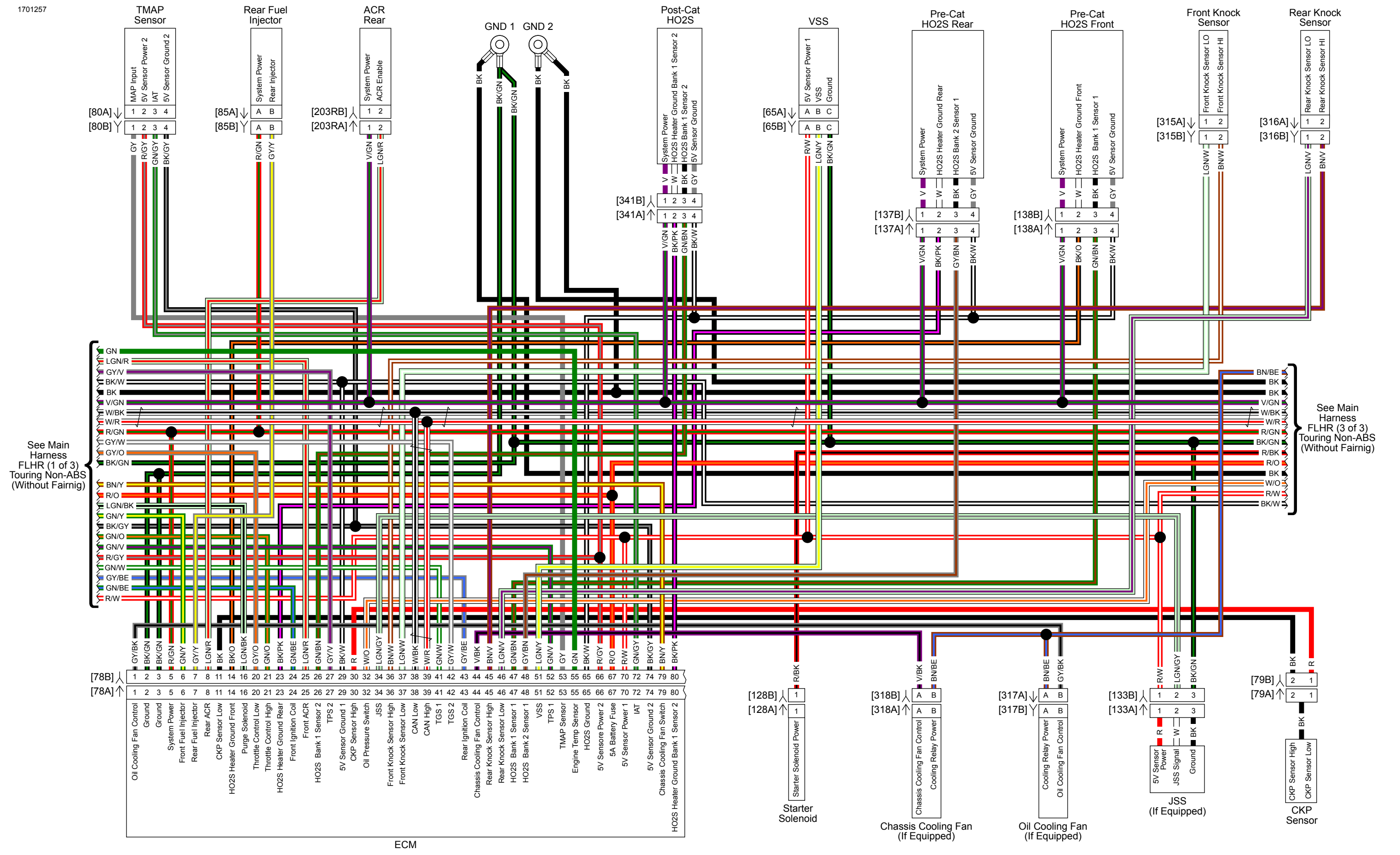


Main Harness (3 of 3): 2023 Touring (without Fairing)

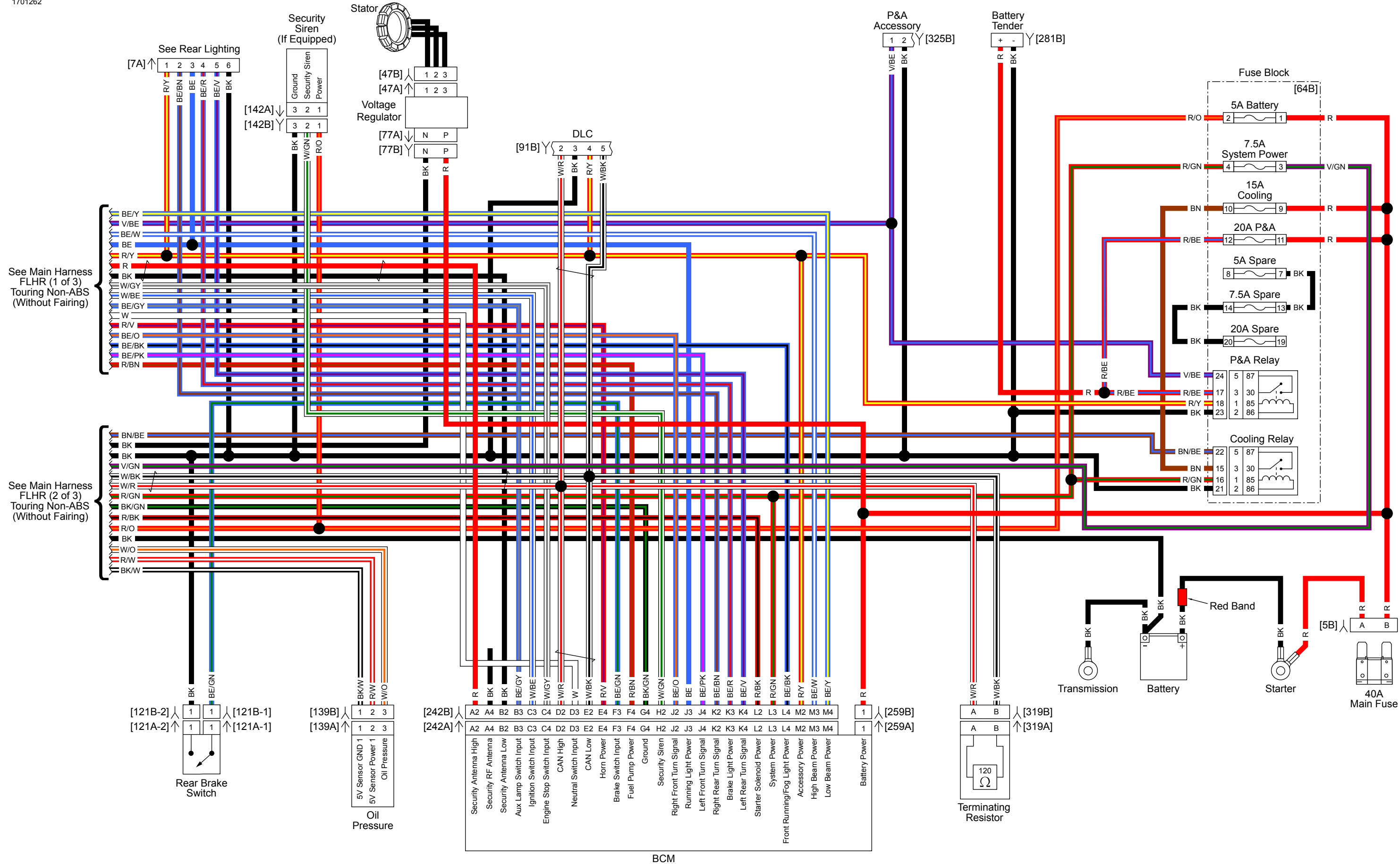
See Front Lighting and Hand Controls



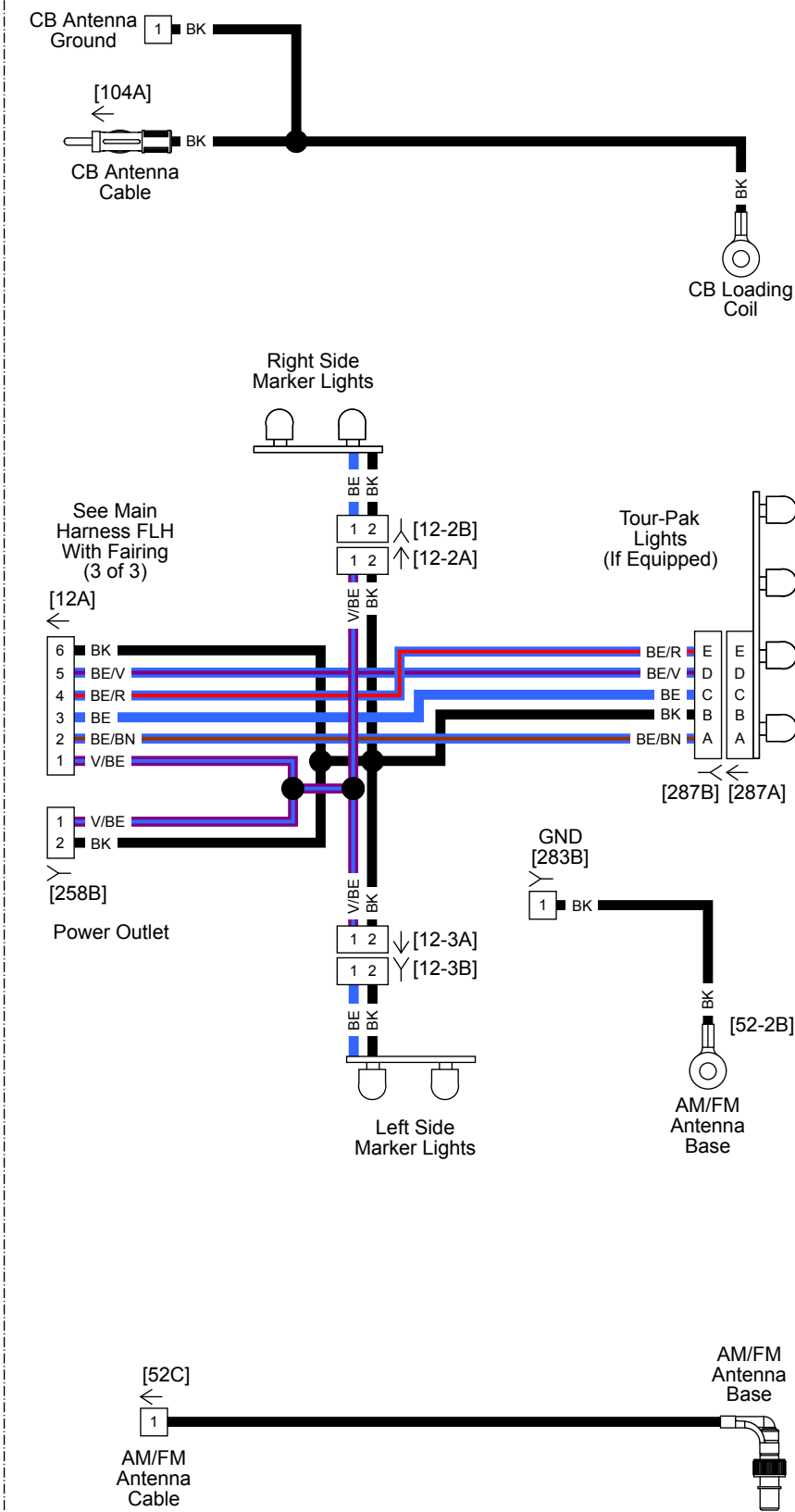
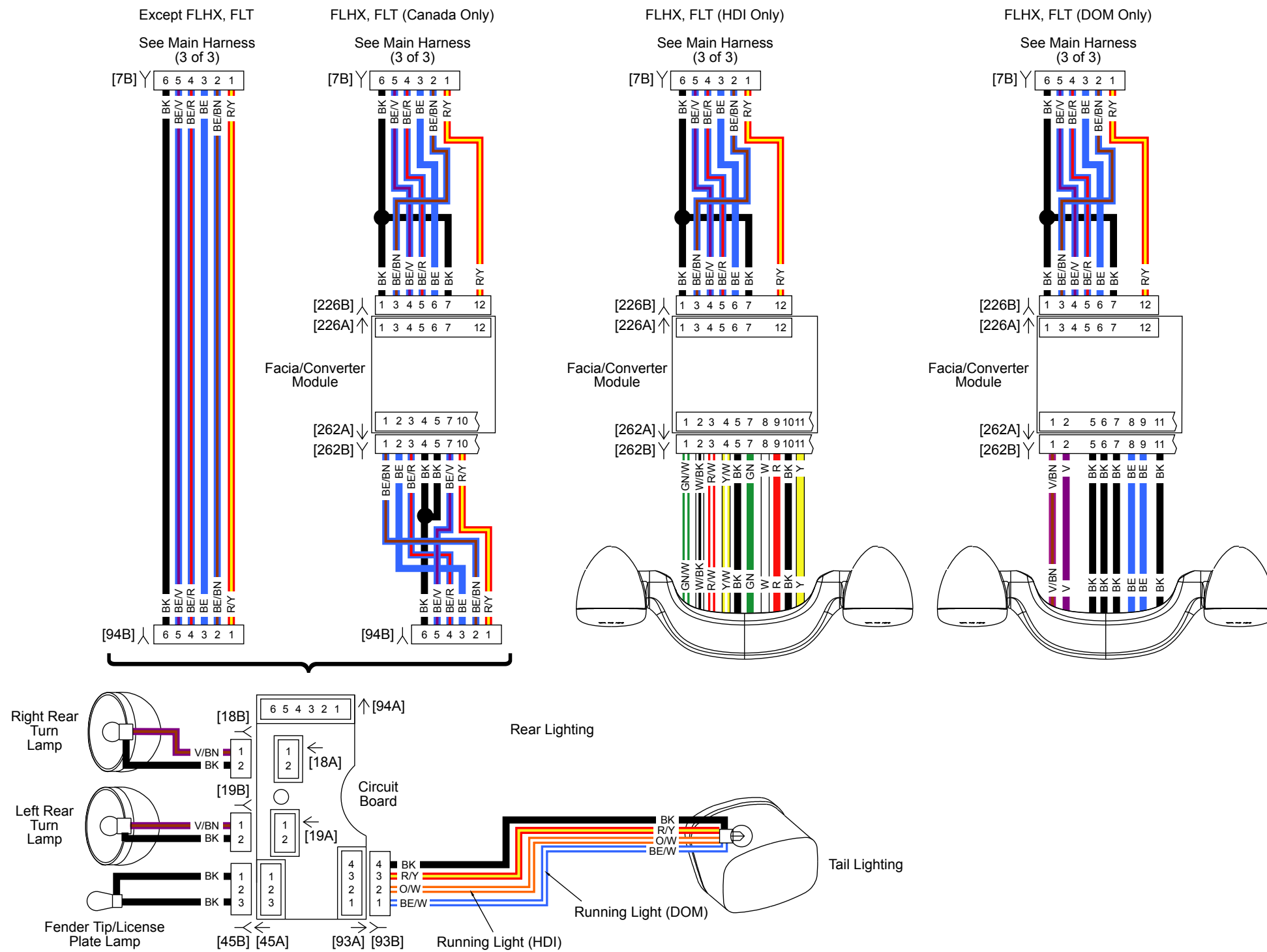
Main Harness FLHR (1 of 3): 2023 Touring Non-ABS (without Fairing)



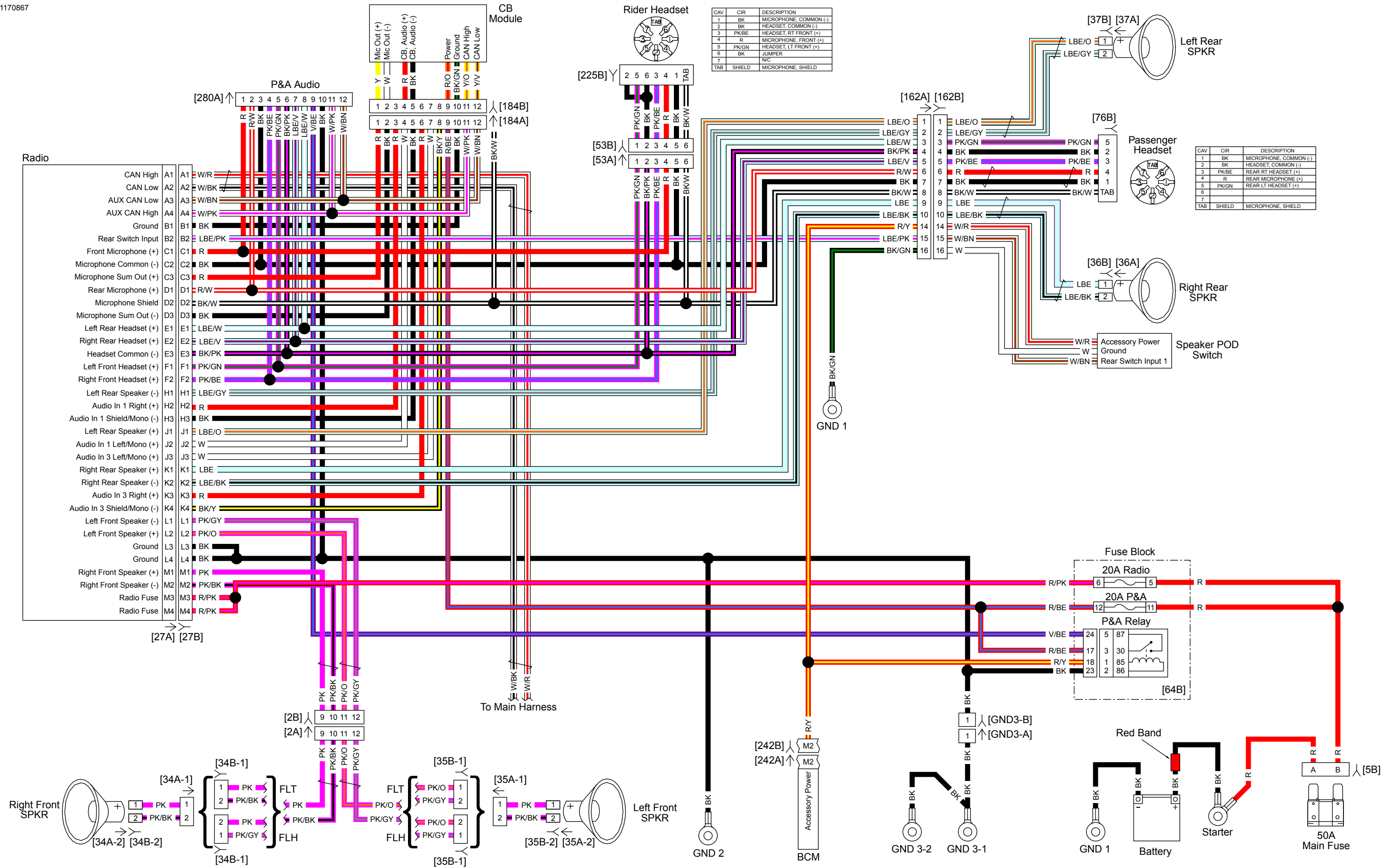
Main Harness FHLR (2 of 3): 2023 Touring Non-ABS (without Fairing)



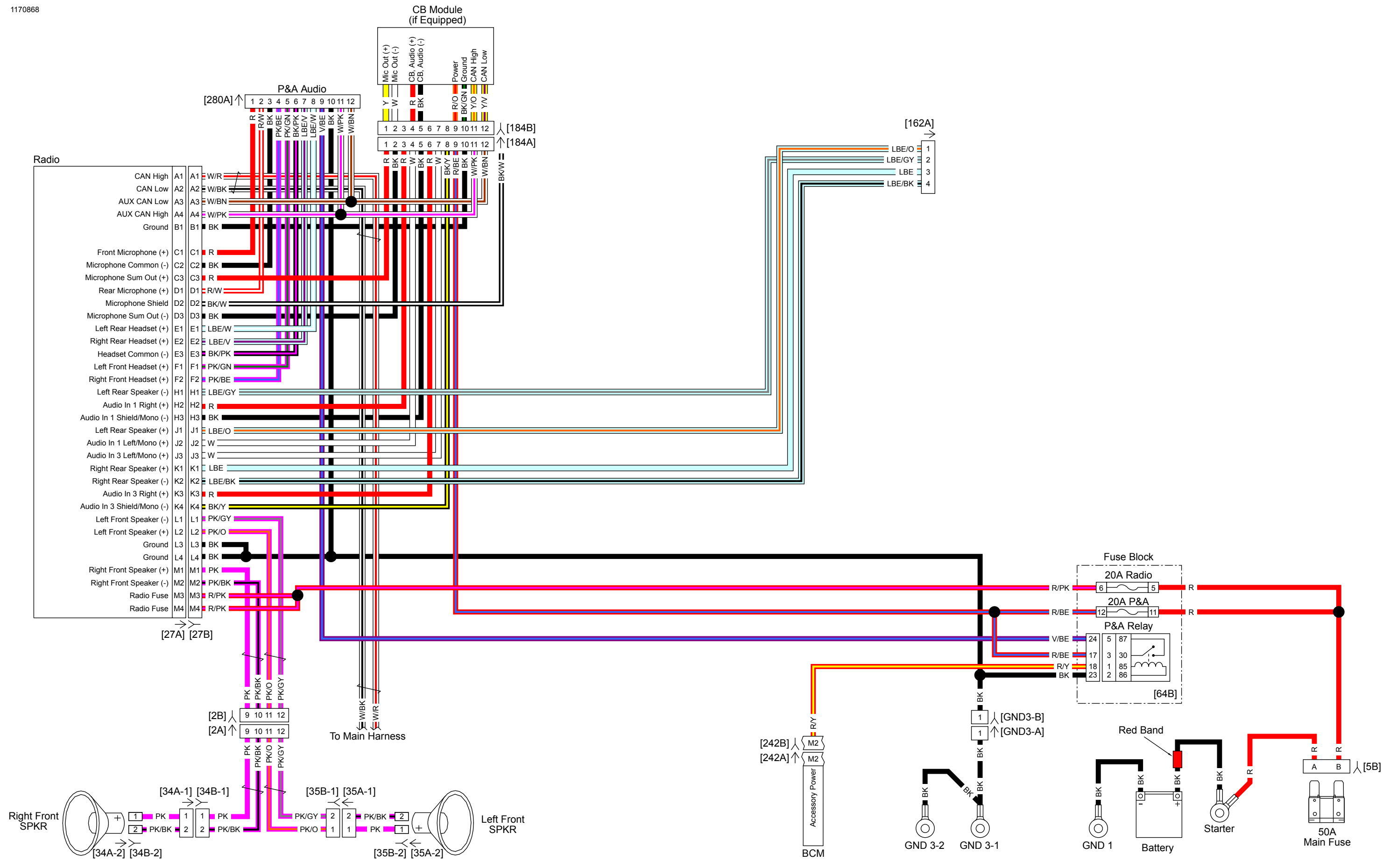
Main Harness FLHR (3 of 3): 2023 Touring Non-ABS (without Fairing)



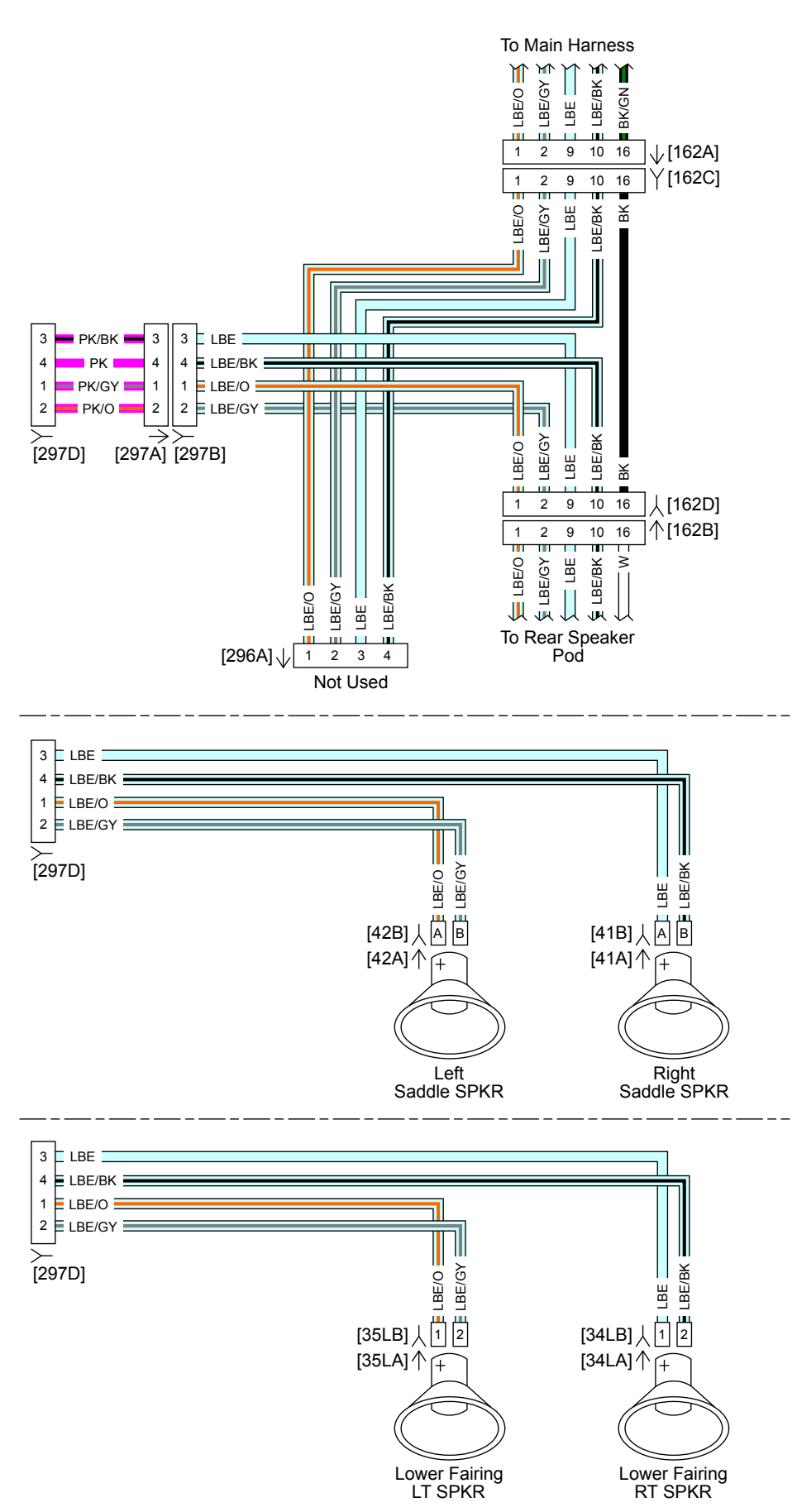
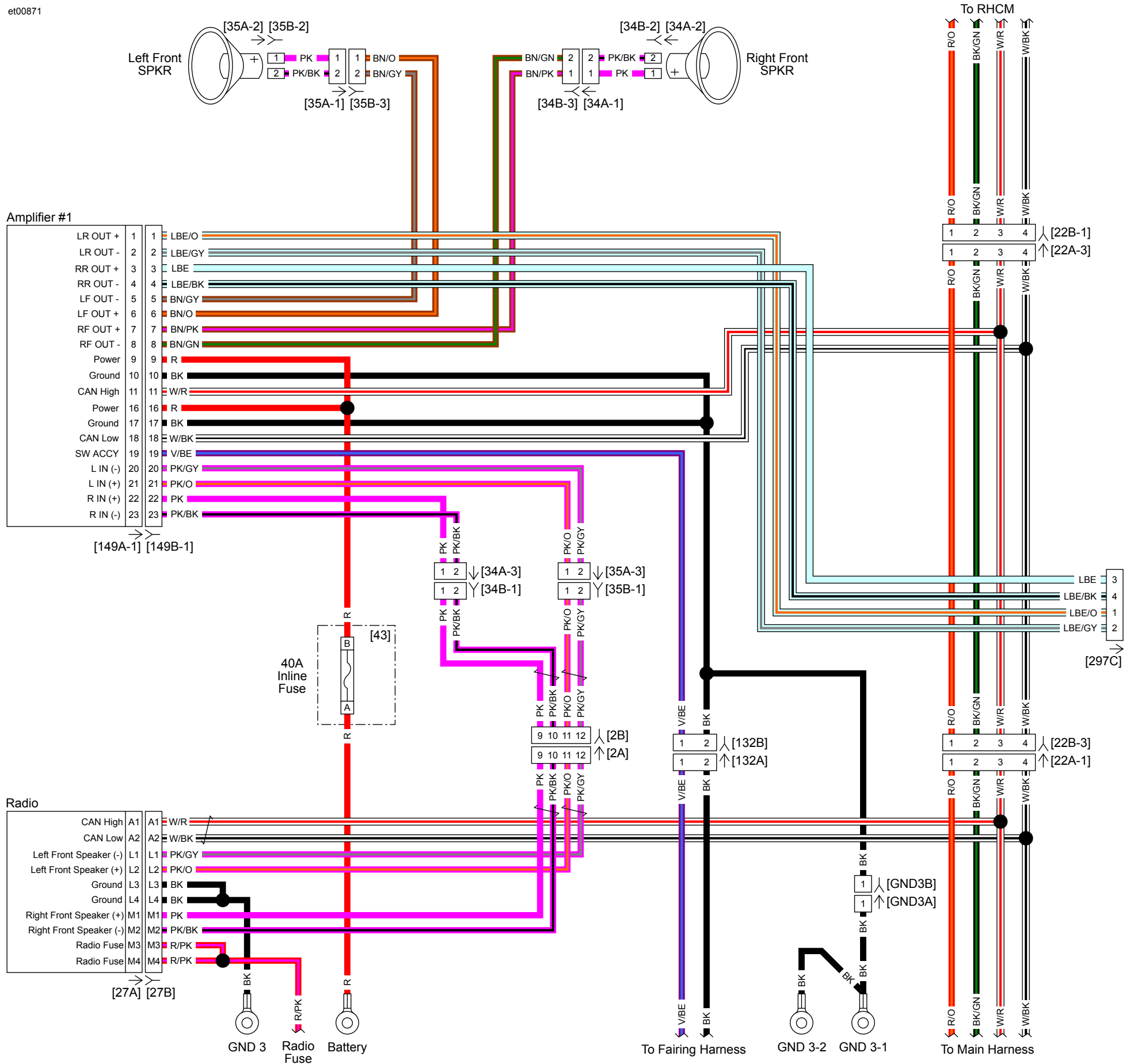
Rear Lighting: 2023 Touring



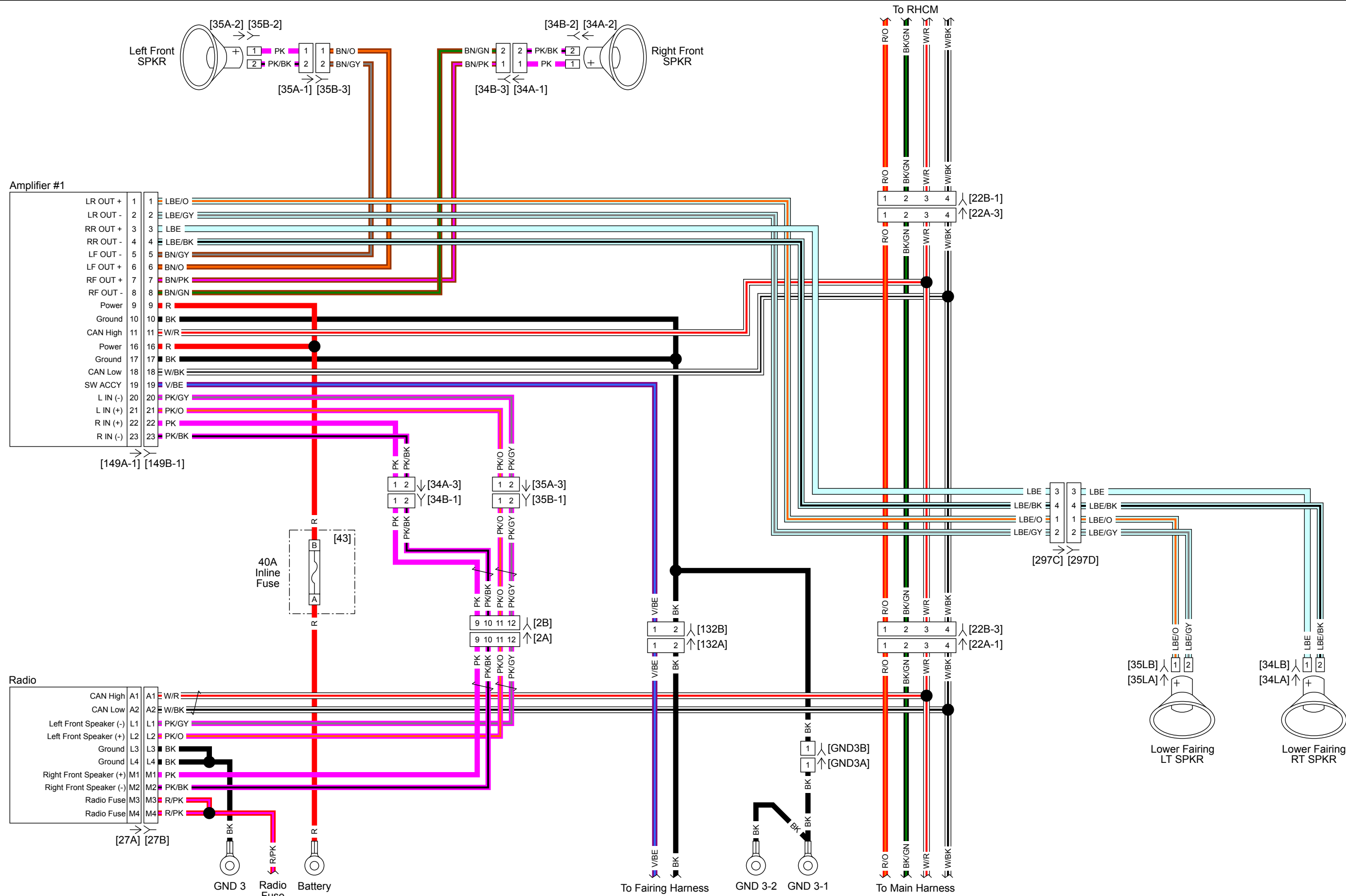
OE Radio: 2023 Touring (Except FLHX/S, FLT)



OE Radio: 2023 Touring (No Tour-Pak)

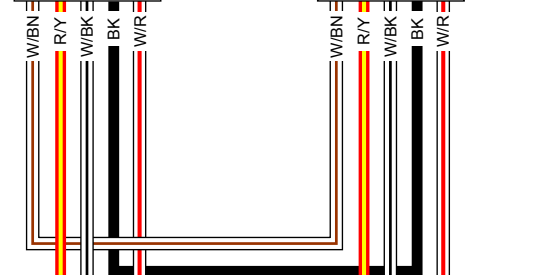
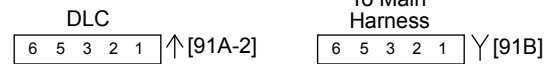
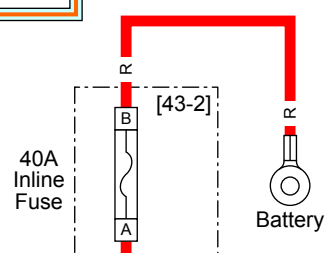
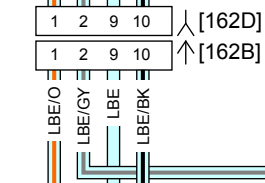
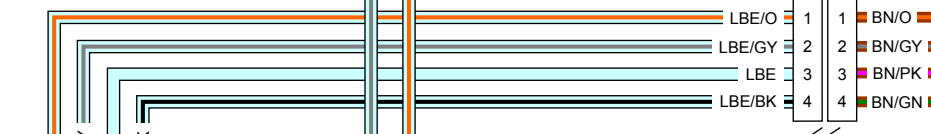
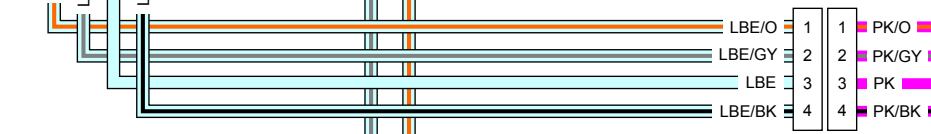
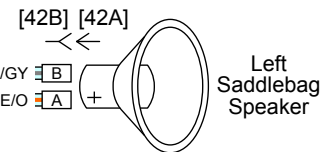
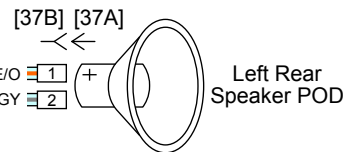
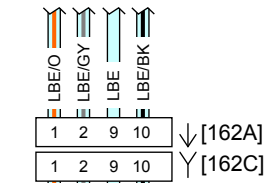


BOOM! Radio with 1 Amp: 2023 Touring

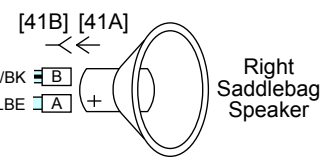
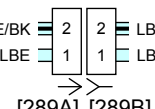
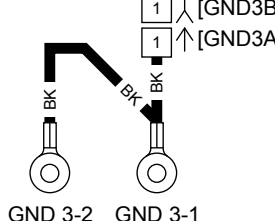
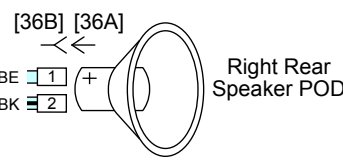
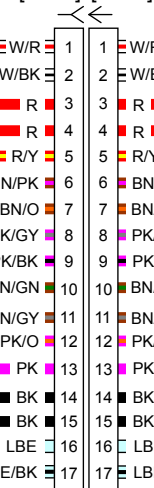


BOOM!: Radio with 2 Amps (1 of 2): 2023 Touring

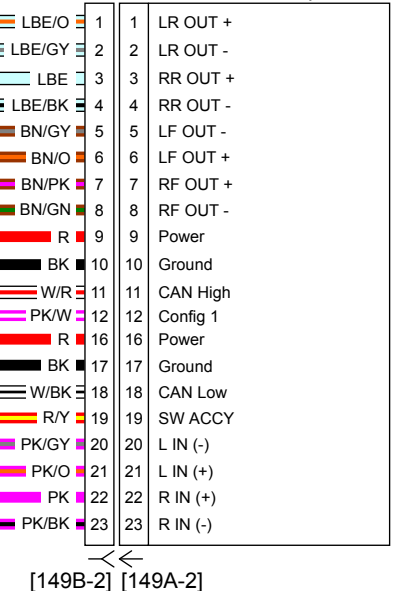
To Main Harness



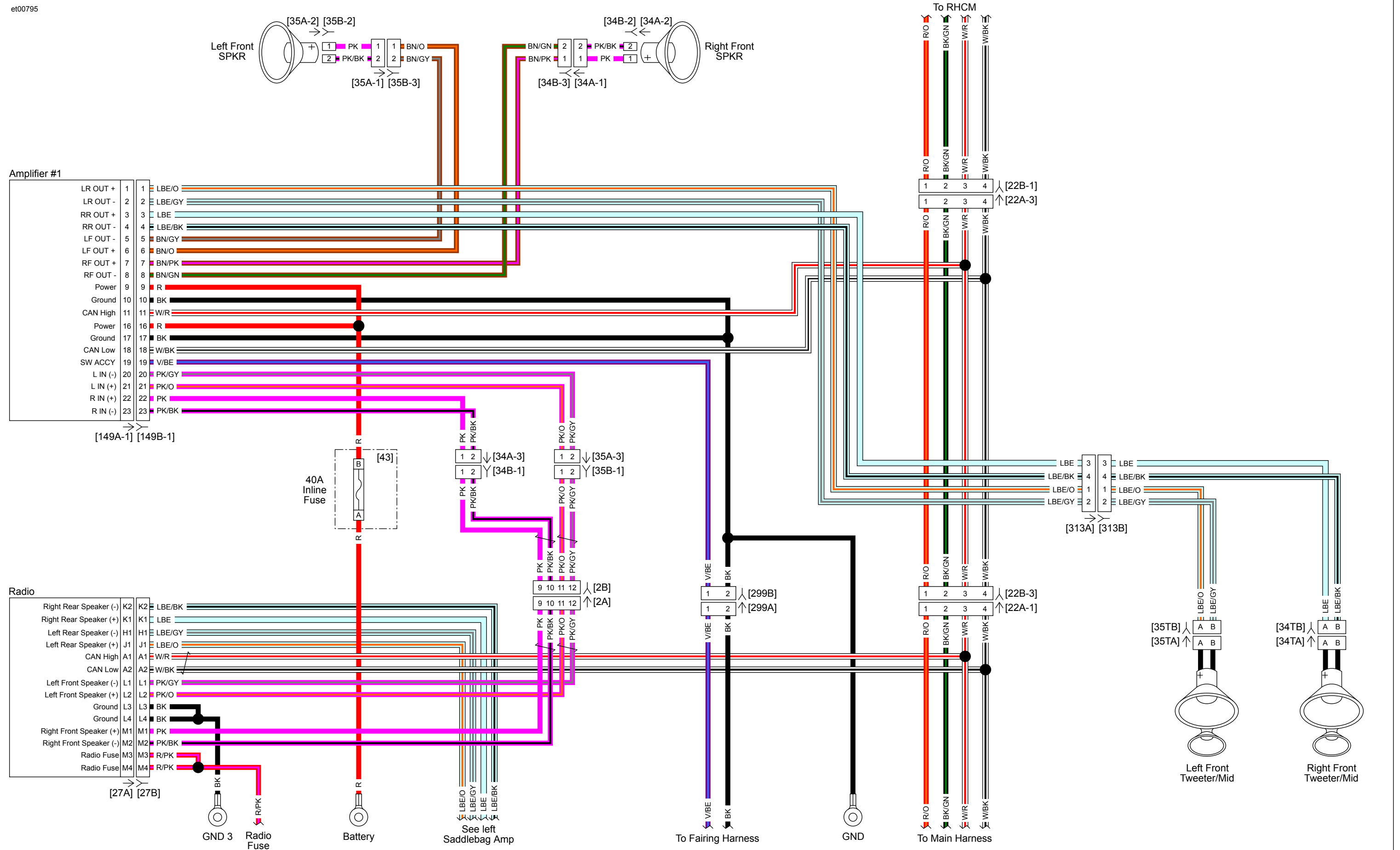
[288B] [288A]



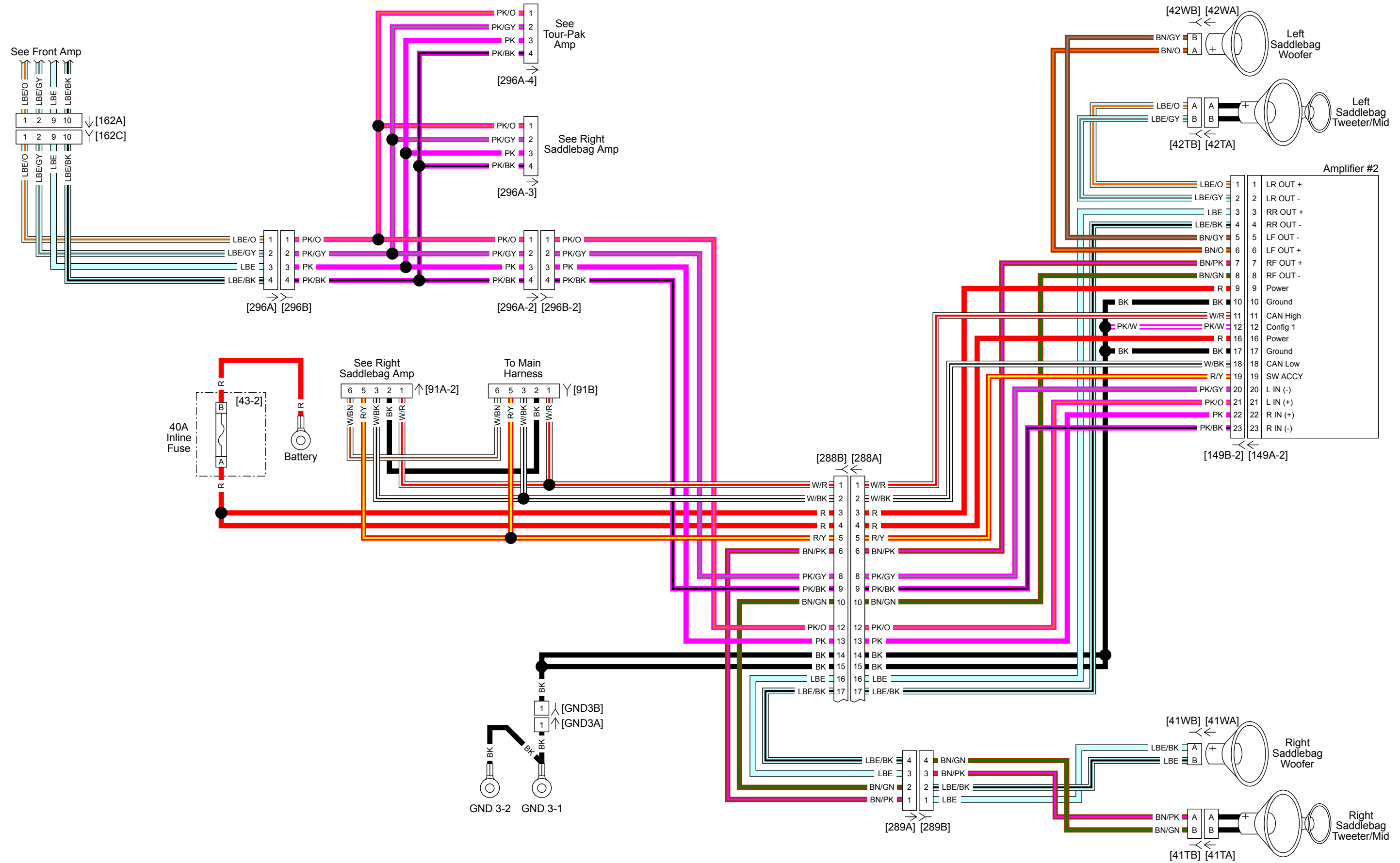
Amplifier #2



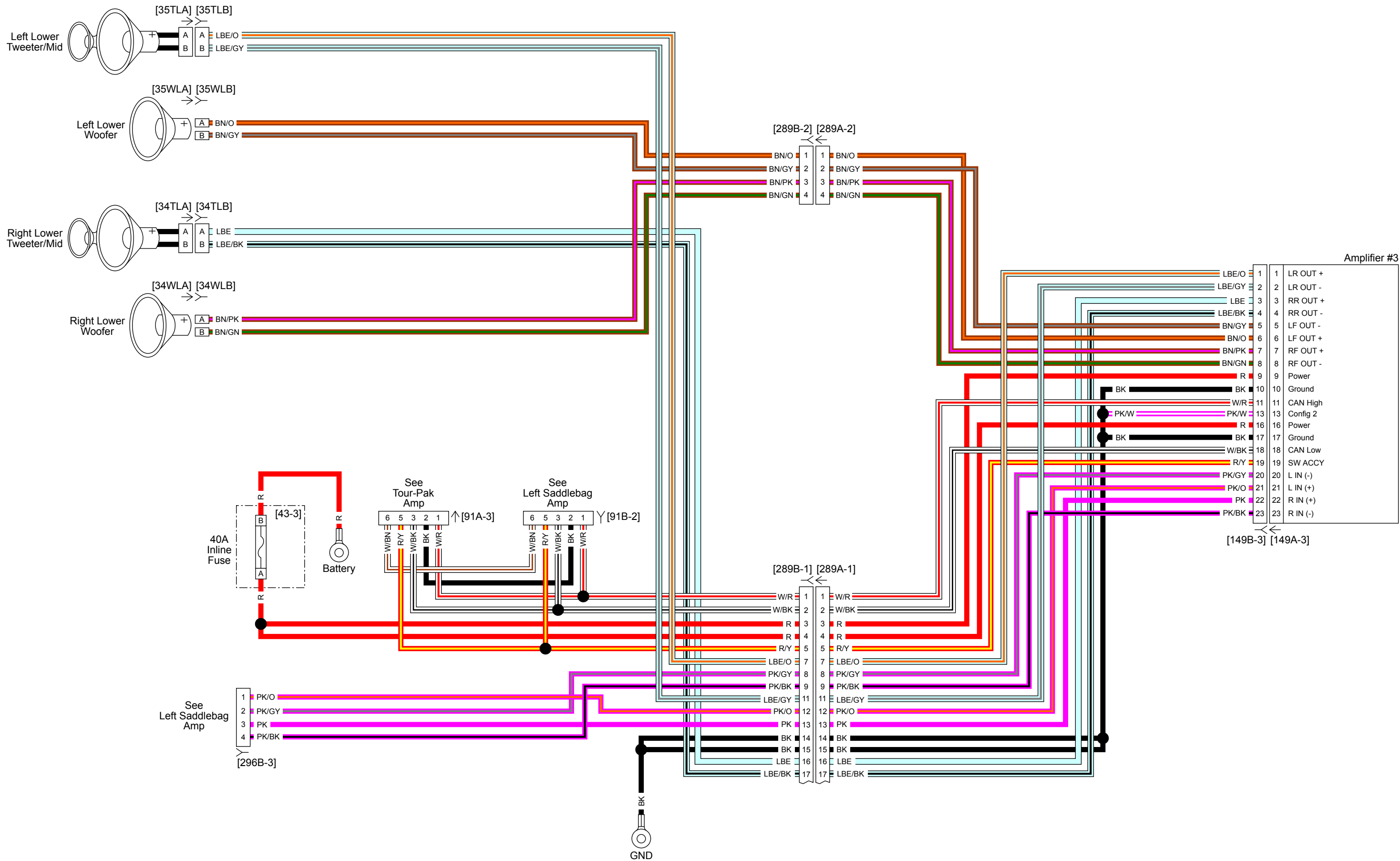
BOOM!: Radio with 2 Amps (2 of 2): 2023 Touring



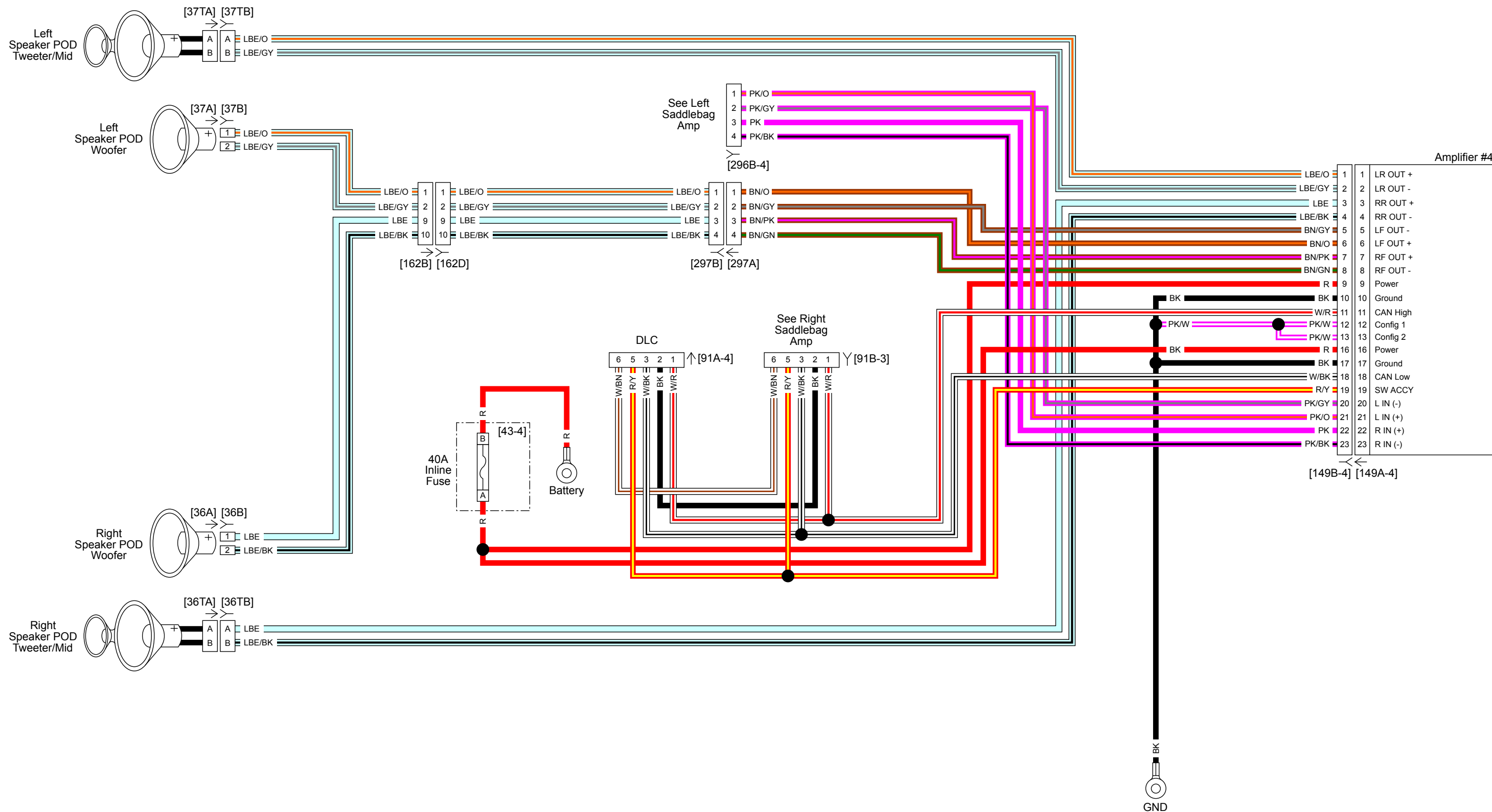
BOOM!: Radio with 4 Amps (1 of 4), Front Amp: 2023 Touring



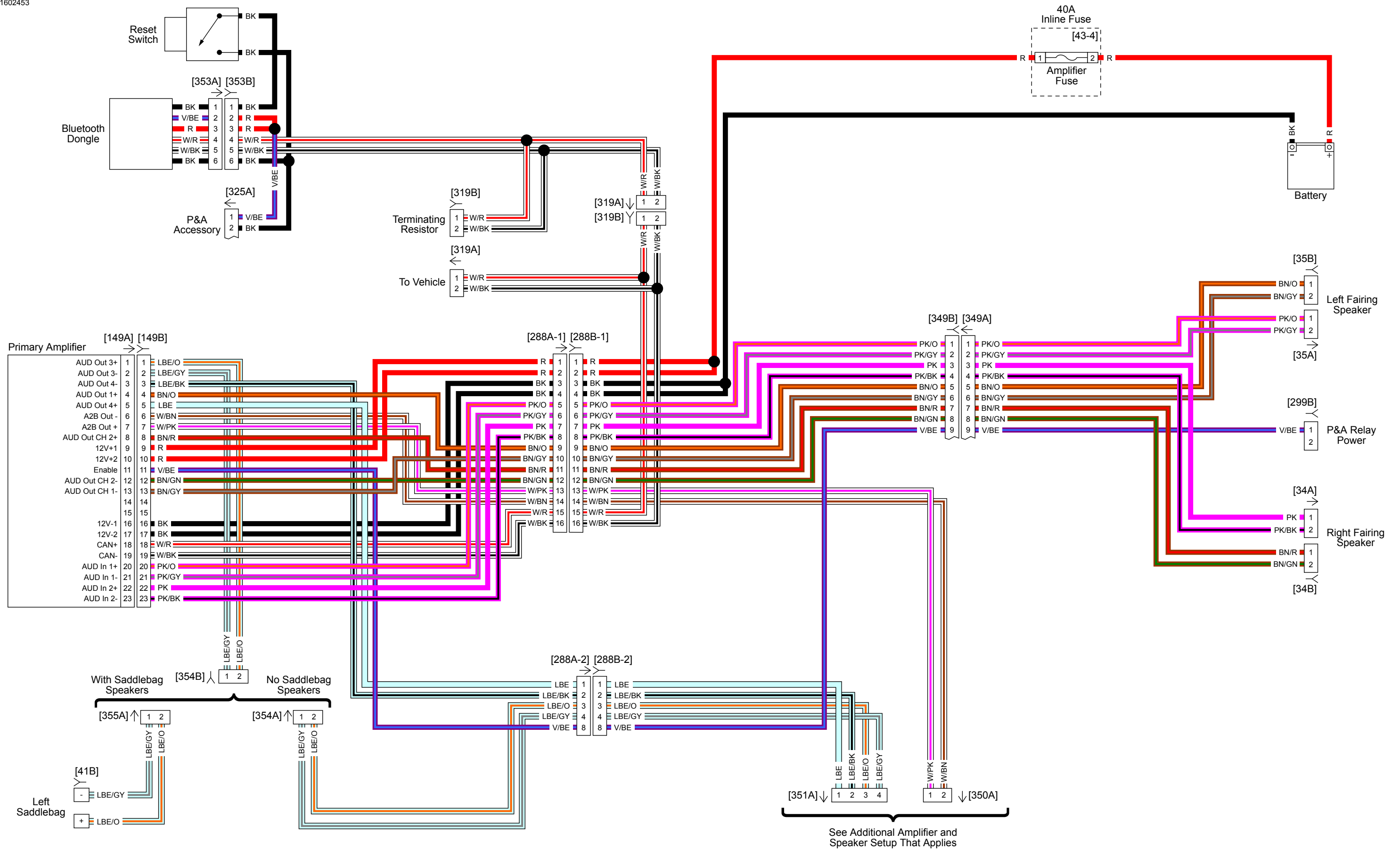
BOOM!: Radio with 4 Amps (2 of 4), Left Saddlebag Amp: 2023 Touring



BOOM!: Radio with 4 Amps (3 of 4), Right Saddlebag Amp: 2023 Touring



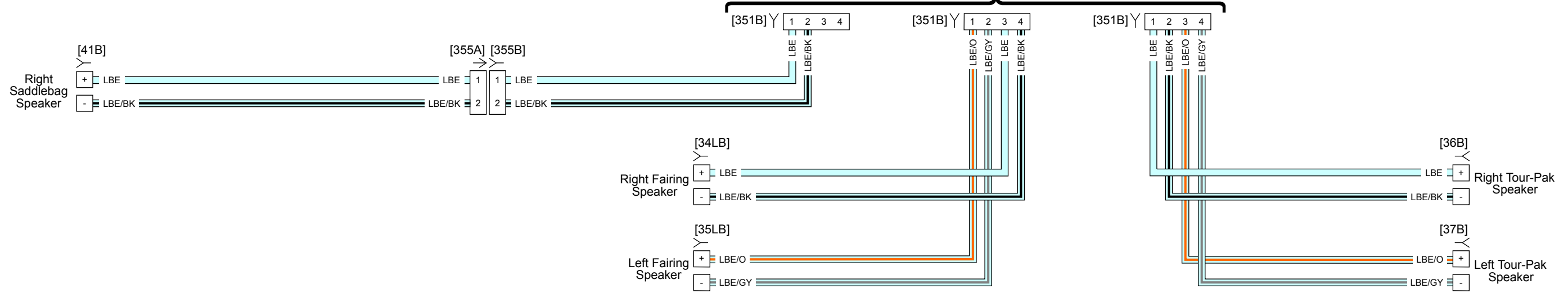
BOOM!: Radio with 4 Amps (4 of 4), Tour-Pak Amp: 2023 Touring



Rockford Fosgate: Primary Amplifier with 2 Speakers: 2023 Touring

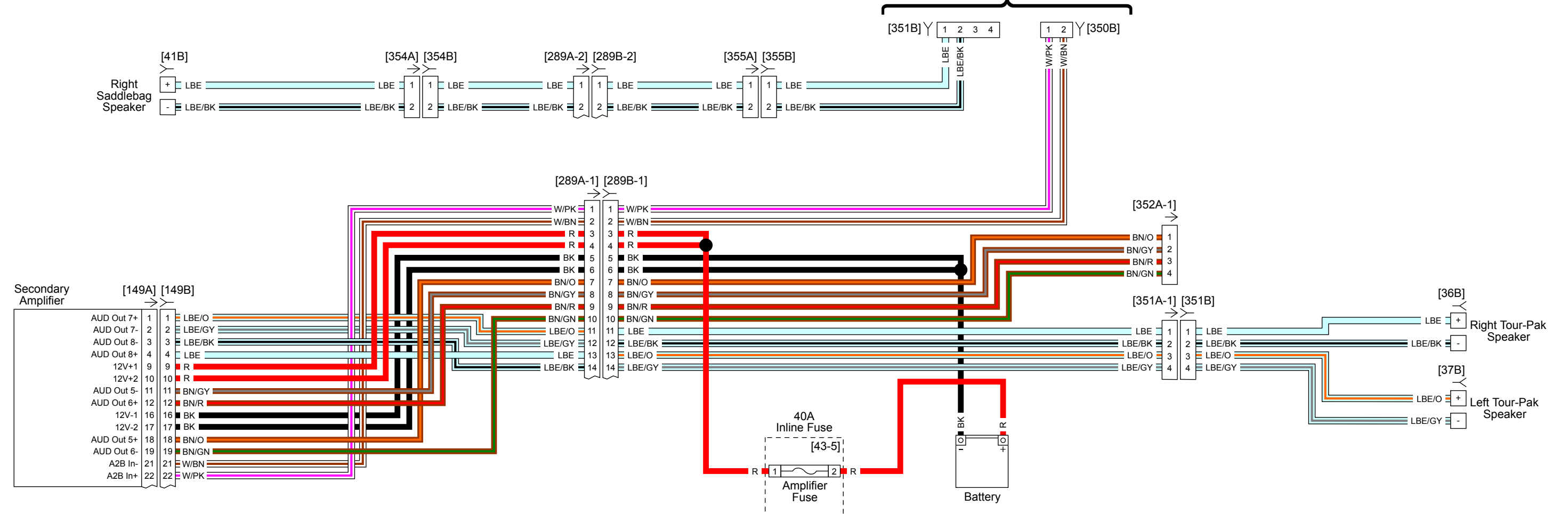
4 Speakers with Saddlebag Speakers

See Rockford Fosgate: Primary Amplifier with 2 Speakers



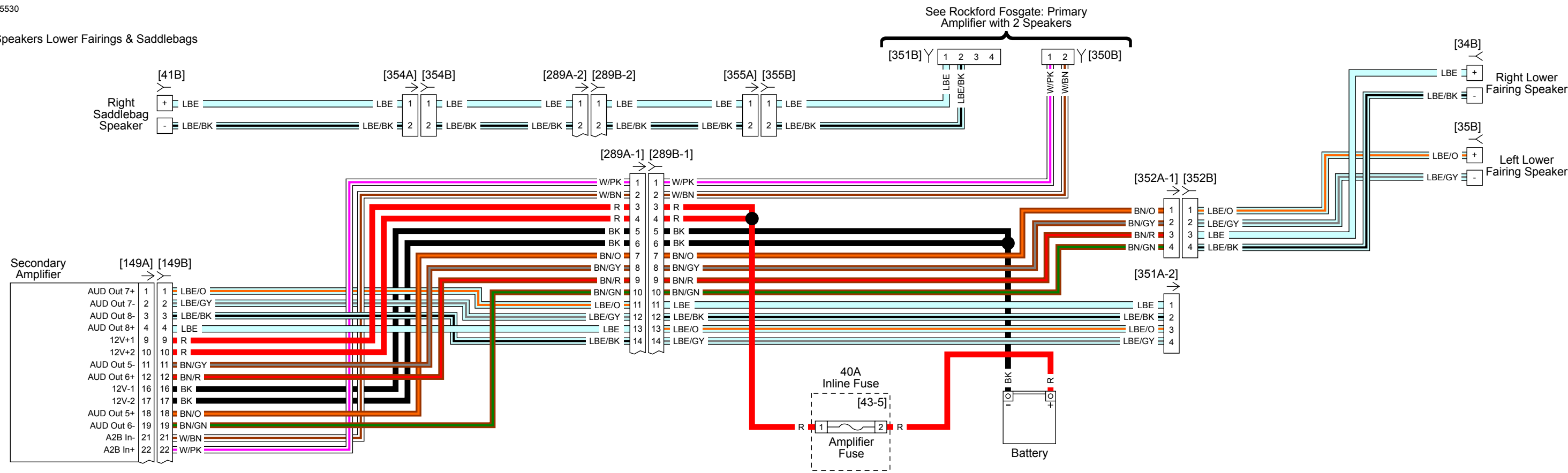
6 Speakers Saddlebags & Tour-Pak

See Rockford Fosgate: Primary Amplifier with 2 Speakers

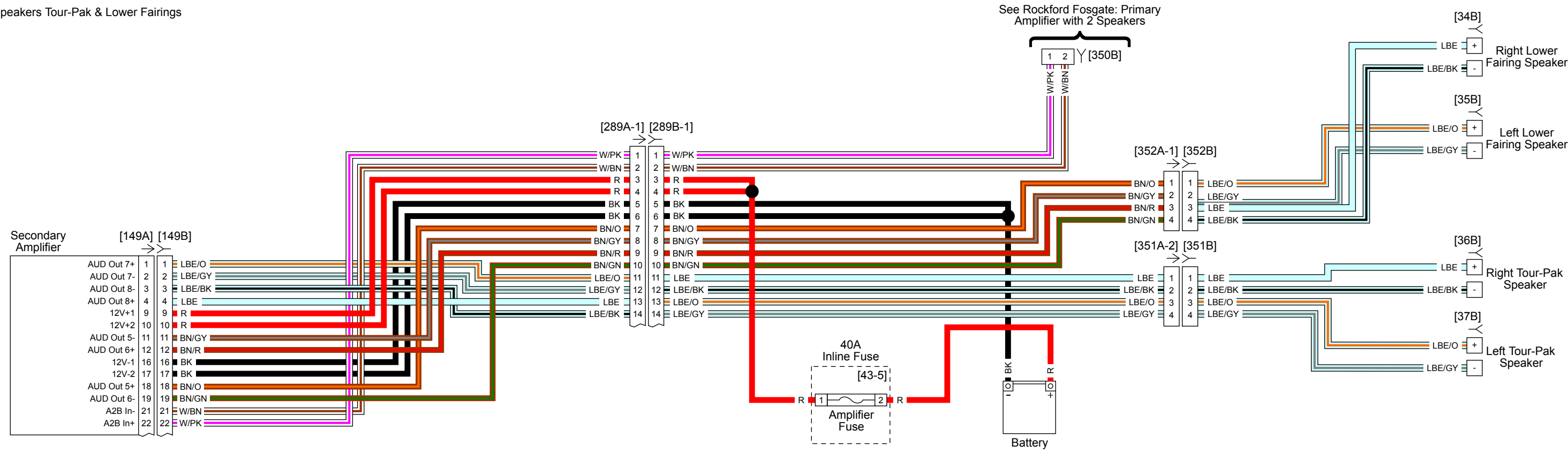


Rockford Fosgate: 4 Speakers – Saddlebags or 6 Speakers - Secondary Amplifier, Saddlebags & Tour-Pak: 2023 Touring

6 Speakers Lower Fairings & Saddlebags

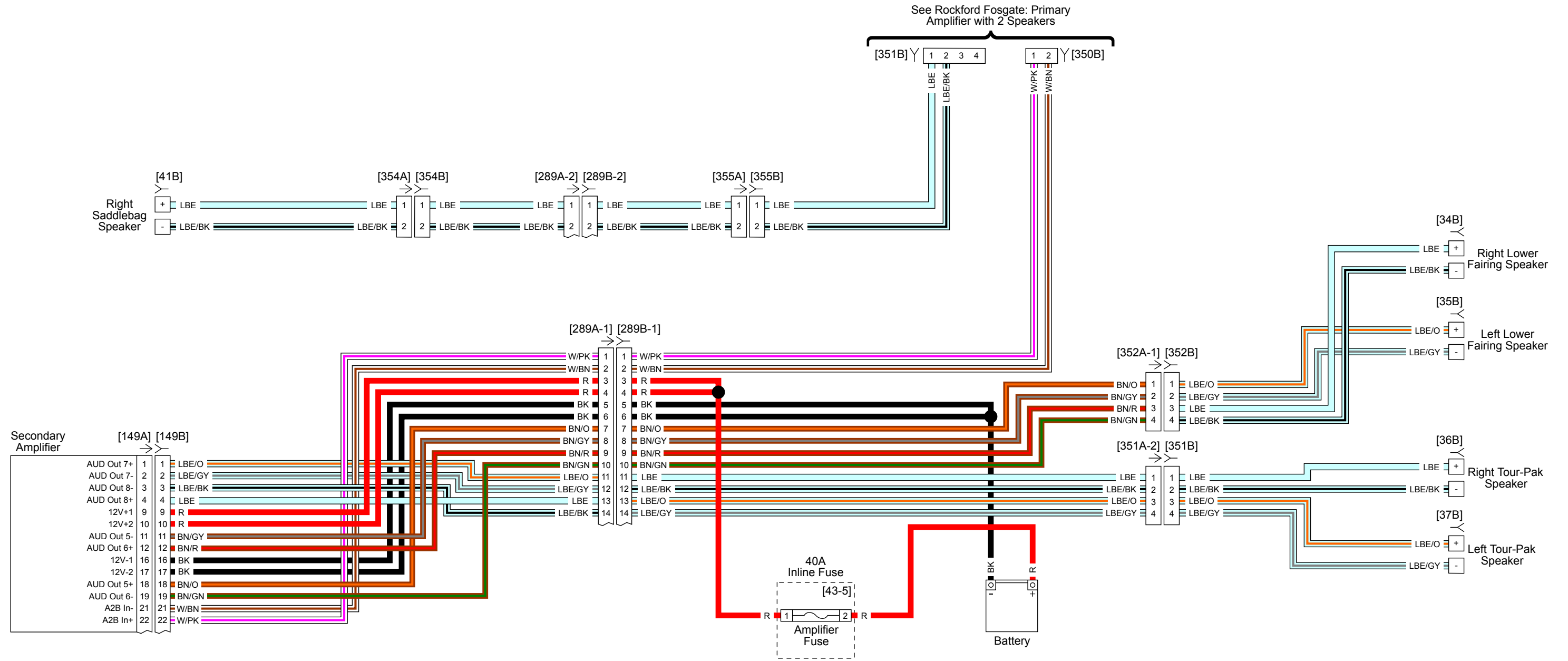


6 Speakers Tour-Pak & Lower Fairings



Rockford Fosgate: 6 Speakers - Fairings & Saddlebags or 6 Speakers Tour-Pak & Lower Fairings: 2023 Touring

8 Speakers



Rockford Fosgate: 8 Speakers - Saddlebags, Lower Fairings & Tour-Pak: 2023 Touring