

ABOUT THIS MANUAL

Wiring and Circuit Diagrams

The diagrams either show entire systems or specific circuits. The circuit specific diagrams only show the components and wiring in the system(s) listed in the diagram title. Always refer to the diagram title for diagram type.

Troubleshooting

Once a problem has been isolated to a specific system or circuit, the circuit specific diagrams will simplify locating the problem.

NOTE

Harness part numbers may be included on some wiring diagrams. Use these numbers for reference purposes only. ALWAYS REFER TO THE PARTS CATALOG WHEN ORDERING WIRE HARNESSSES.

2024 HARLEY-DAVIDSON® SERVICE MANUAL SUPPLEMENT: FLHXSE MODEL (94001170)

Power Distribution: FLHXSE.....	1
Sensor Grounds: FLHXSE.....	2
Ground Circuit: FLHXSE.....	3
Front Lighting and Hand Controls: FLHXSE.....	4
Fairing Harness: FLHXSE.....	5
Main Harness (1 of 4): FLHXSE.....	6
Main Harness (2 of 4): FLHXSE.....	7
Main Harness (3 of 4): FLHXSE.....	8
Main Harness (4 of 4): FLHXSE.....	9
Rear Lighting and Audio: FLHXSE.....	10

2024 HARLEY-DAVIDSON® SERVICE MANUAL SUPPLEMENT: FLTRXSE MODEL (94001169)

Power Distribution: FLTRXSE.....	11
Sensor Grounds: FLTRXSE.....	12
Ground Circuit: FLTRXSE.....	13
Front Lighting and Hand Controls: FLTRXSE.....	14
Fairing Harness: FLTRXSE.....	15
Main Harness (1 of 4): FLTRXSE.....	16
Main Harness (2 of 4): FLTRXSE.....	17
Main Harness (3 of 4): FLTRXSE.....	18
Main Harness (4 of 4): FLTRXSE.....	19
Rear Lighting and Audio: FLTRXSE.....	20

2024 HARLEY-DAVIDSON® SERVICE MANUAL SUPPLEMENT: FLTRXSTSE MODEL (94001171)

Power Distribution: FLTRXSTSE.....	21
Sensor Grounds: FLTRXSTSE.....	22
Ground Circuit: FLTRXSTSE.....	23
Front Lighting and Hand Controls: FLTRXSTSE.....	24
Fairing Harness: FLTRXSTSE.....	25
Main Harness (1 of 4): FLTRXSTSE.....	26
Main Harness (2 of 4): FLTRXSTSE.....	27
Main Harness (3 of 4): FLTRXSTSE.....	28
Main Harness (4 of 4): FLTRXSTSE.....	29
Rear Lighting and Audio: FLTRXSTSE.....	30

2024 HARLEY-DAVIDSON® SERVICE MANUAL SUPPLEMENT: POLICE MODELS (94001163)

Front Lighting and Hand Controls: Police.....	31
Fairing Harness: FLHTP.....	32
Main Harness (1 of 3): FLHTP.....	33
Main Harness (2 of 3): FLHTP.....	34
Main Harness (3 of 3): FLHTP.....	35
Fairing Harness FLTRXP.....	36
Main Harness (1 of 3): FLTRXP.....	37
Main Harness (2 of 3): FLTRXP.....	38
Main Harness (3 of 3): FLTRXP.....	39
Main Harness (1 of 3): FLHP.....	40
Main Harness (2 of 3): FLHP.....	41
Main Harness (3 of 3): FLHP.....	42
Rear Lighting: Police.....	43

2024 HARLEY-DAVIDSON® SERVICE MANUAL SUPPLEMENT: RA1250SE MODEL (94001166)

Power Distribution.....	45
Sensor Grounds.....	46
Ground Circuit.....	47
Front Lighting and Hand Controls.....	48
Main Harness 1 of 2.....	49
Main Harness 2 of 2.....	50
Engine Harness 1 of 2.....	51
Engine Harness 2 of 2.....	52
Rear Lighting.....	53

2024 HARLEY-DAVIDSON® SERVICE MANUAL SUPPLEMENT: TRIKE MODELS (94001164)

Front Lighting and Hand Controls FLHTCUTG: Trike Model.....	55
Front Lighting and Hand Controls FLRT: Trike Model.....	56
Fairing Harness FLHTCUTG: Trike Model.....	57
Main Harness FLHTCUTG (1 of 4): Trike Model.....	58
Main Harness FLHTCUTG (2 of 4): Trike Model.....	59
Main Harness FLHTCUTG (3 of 4): Trike Model.....	60
Main Harness FLHTCUTG (4 of 4): Trike Model.....	61
Fairing Harness FLTRT: Trike Model.....	62
Main Harness FLTRT (1 of 3): Trike Model.....	63
Main Harness FLTRT (2 of 3): Trike Model.....	64
Main Harness FLTRT (3 of 3): Trike Model.....	65
Main Harness FLRT (1 of 4): Trike Model.....	66
Main Harness FLRT (2 of 4): Trike Model.....	67
Main Harness FLRT (3 of 4): Trike Model.....	68
Main Harness FLRT (4 of 4): Trike Model.....	69
Rear Lighting FLHTCUTG: Trike Model.....	70
Rear Lighting FLRT, FLTRT: Trike Model.....	71
Radio FLHTCUTG: Trike Model.....	72
Reverse FLHTCUTG: Trike Model.....	73
Reverse FLRT: Trike Model.....	74

2024 HARLEY-DAVIDSON® SERVICE MANUAL: FLHX, FLTRX MODELS (94001162)

Power Distribution: FLHX, FLTRX.....	75
Power Distribution: FLHX, FLTRX.....	76
Ground Circuit: FLHX, FLTRX.....	77
Front Lighting and Hand Controls: FLHX, FLTRX.....	78
Fairing Harness: FLTRX.....	79
Fairing Harness: FLHX.....	80
Main Harness (1 of 4): FLTRX.....	81
Main Harness (2 of 4): FLTRX.....	82
Main Harness (3 of 4): FLTRX.....	83
Main Harness (4 of 4): FLTRX.....	84
Main Harness (1 of 4): FLHX.....	85
Main Harness (2 of 4): FLHX.....	86
Main Harness (3 of 4): FLHX.....	87
Main Harness (4 of 4): FLHX.....	88
Rear Lighting and Audio: FLHX, FLTRX.....	89

2024 HARLEY-DAVIDSON® SERVICE MANUAL: FLTRK, FLHRXS, FLHTK MODELS (94001161)

Battery Power Distribution: FLH with Fairing.....	91
Battery Power Distribution: FLT.....	92
Battery Power Distribution without Fairing.....	93
Ignition and ACC: FLH.....	94
Ignition and ACC: FLT.....	95
Sensor Grounds: FLH.....	96
Sensor Grounds: FLT.....	97
Ground Circuit: FLH.....	98
Ground Circuit: FLT.....	99
Front Lighting and Hand Controls.....	100
Fairing Harness: FLH.....	101
Main Harness FLH (1 of 3) (with Fairing).....	102
Main Harness FLH (2 of 3) (with Fairing).....	103
Main Harness FLH (3 of 3) (with Fairing).....	104
Main Harness FLHX (1 of 3) (Non-ABS with Fairing).....	105
Main Harness FLHX (2 of 3) (Non-ABS with Fairing).....	106
Main Harness FLHX (3 of 3) (Non-ABS with Fairing).....	107
Fairing Harness: FLT.....	108
Main Harness FLT (1 of 3) (with Fairing).....	109
Main Harness FLT (2 of 3) (with Fairing).....	110
Main Harness FLT (3 of 3) (with Fairing).....	111
Main Harness FLTR (1 of 3) (Non-ABS with Fairing).....	112
Main Harness FLTR (2 of 3) (Non-ABS with Fairing).....	113
Main Harness FLTR (3 of 3) (Non-ABS with Fairing).....	114
Main Harness (1 of 3) (without Fairing).....	115
Main Harness (2 of 3) (without Fairing).....	116
Main Harness (3 of 3) (without Fairing).....	117
Main Harness FLHR (1 of 3) (Non-ABS without Fairing).....	118
Main Harness FHLR (2 of 3) (Non-ABS without Fairing).....	119
Main Harness FLHR (3 of 3) (Non-ABS without Fairing).....	120
Rear Lighting.....	121
OE Radio (Except FLHX/S, FLT).....	122
OE Radio (No Tour-Pak).....	123
BOOM!: Radio with 1 Amp.....	124
BOOM!: Radio with 2 Amps (1 of 2).....	125
BOOM!: Radio with 2 Amps (2 of 2).....	126
BOOM!: Radio with 4 Amps (1 of 4), Front Amp.....	127
BOOM!: Radio with 4 Amps (2 of 4), Left Saddlebag Amp.....	128
BOOM!: Radio with 4 Amps (3 of 4), Right Saddlebag Amp.....	129
BOOM!: Radio with 4 Amps (4 of 4), Tour-Pak Amp.....	130
Rockford Fosgate: Primary Amplifier with 2 Speakers.....	131
Rockford Fosgate: 4 Speakers – Saddlebags or 6 Speakers - Secondary Amplifier, Saddlebags & Tour-Pak.....	132
Rockford Fosgate: 6 Speakers - Fairings & Saddlebags or 6 Speakers Tour-Pak & Lower Fairings.....	133
Rockford Fosgate: 8 Speakers - Saddlebags, Lower Fairings & Tour-Pak.....	134

2024 HARLEY-DAVIDSON® SERVICE MANUAL: PAN AMERICA MODELS (94001165)

Power Distribution.....	135
Sensor Grounds.....	136
Ground Circuit.....	137
Front Lighting and Hand Controls.....	138
Main Harness 1 of 2.....	139
Main Harness 2 of 2.....	140
Engine Harness 1 of 2.....	141
Engine Harness 2 of 2.....	142
Rear Lighting.....	143

2024 HARLEY-DAVIDSON® SERVICE MANUAL: SOFTAIL® MODELS (94001199)

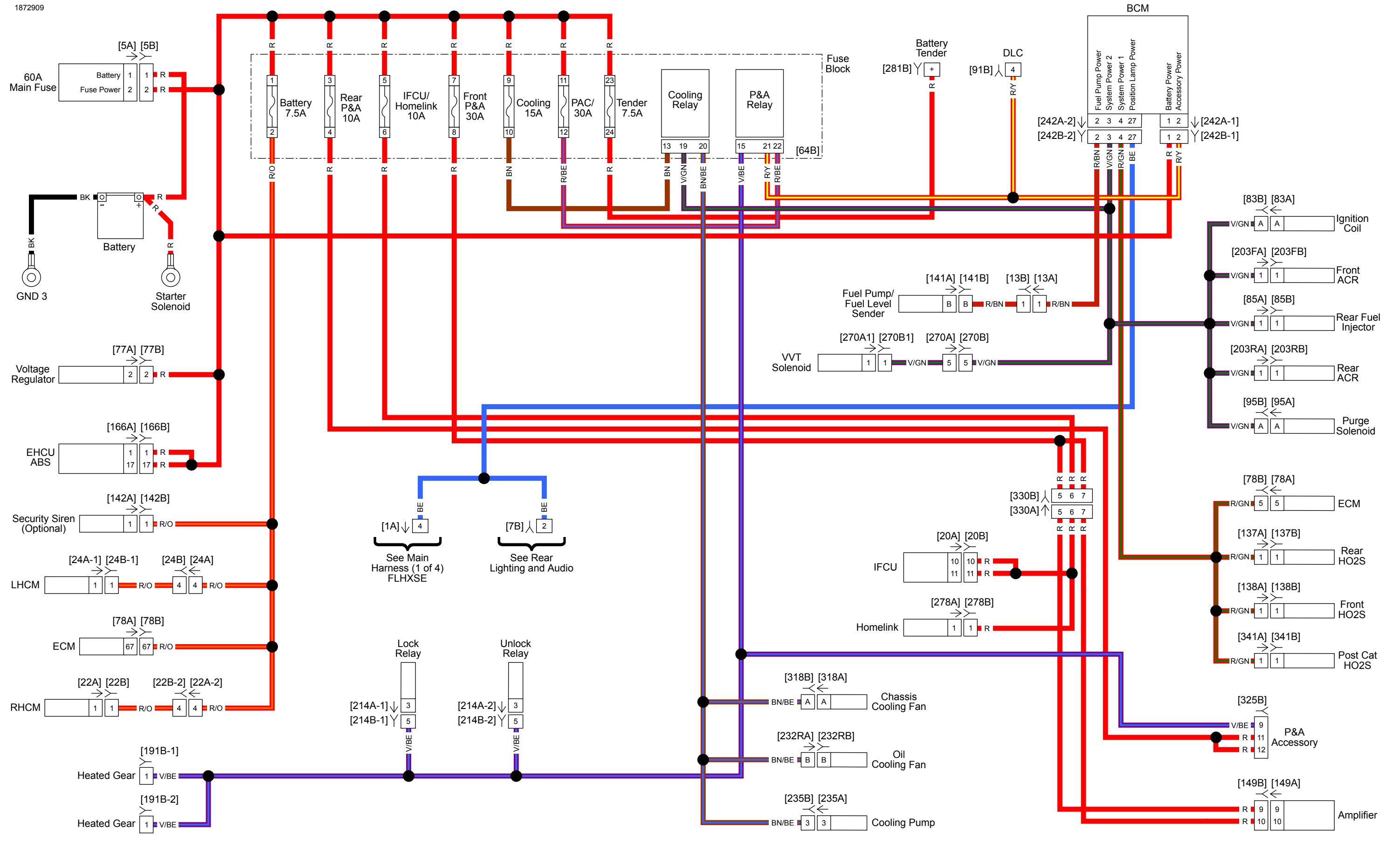
Power Distribution (Except FXLRST): Softail.....	145
Power Distribution (FXLRST): Softail.....	146
Sensor Grounds: Softail.....	147
Ground Circuit (Except FXLRST): Softail.....	148
Ground Circuit (FXLRST): Softail.....	149
Front Lighting and Hand Controls: Softail.....	150
Fairing Harness (FXLRST): Softail.....	151
Backbone Harness (Except FXLRST) 1 of 3: Softail.....	152
Backbone Harness (FXLRST) 1 of 3: Softail.....	153
Engine Harness 2 of 3: Softail.....	154
Main Harness 3 of 3: Softail.....	155
Rear Lighting: Softail.....	156

2024 HARLEY-DAVIDSON® SERVICE MANUAL: SPORTSTER® RH1250S MODEL (94001167)

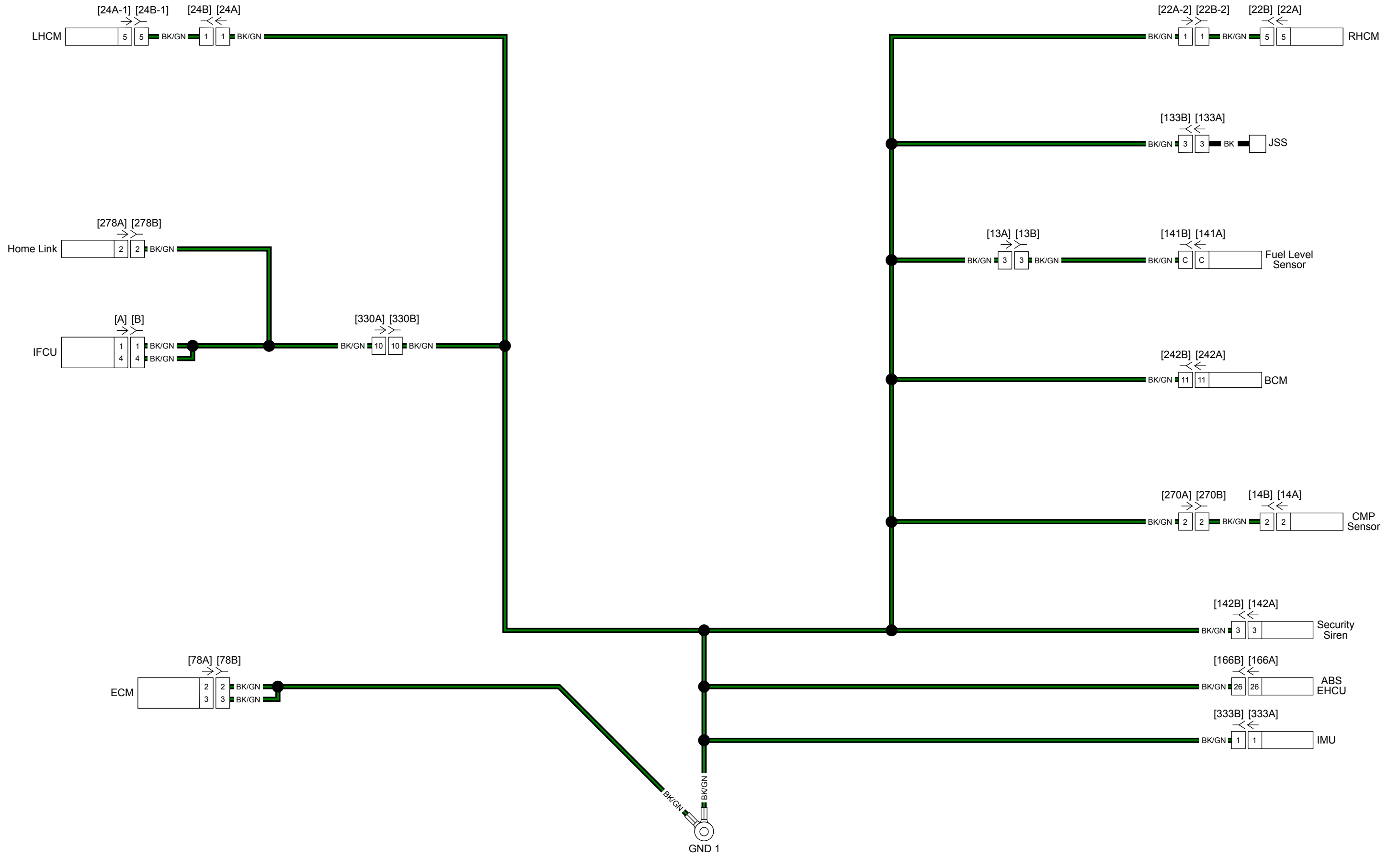
Power Distribution: All Except RH975 Models.....	157
Sensor Grounds: All Except RH975 Models.....	158
Ground Circuit: All Except RH975 Models.....	159
Front Lighting and Hand Controls: All Except RH975 Models.....	160
Main Harness 1 of 2: All Except RH975 Models.....	161
Main Harness 2 of 2: All Except RH975 Models.....	162
Engine Harness 1 of 2: All Except RH975 Models.....	163
Engine Harness 2 of 2: All Except RH975 Models.....	164
Rear Lighting: All Except RH975 Models.....	165

2024 HARLEY-DAVIDSON® SERVICE MANUAL: SPORTSTER® RH975 MODELS (94001168)

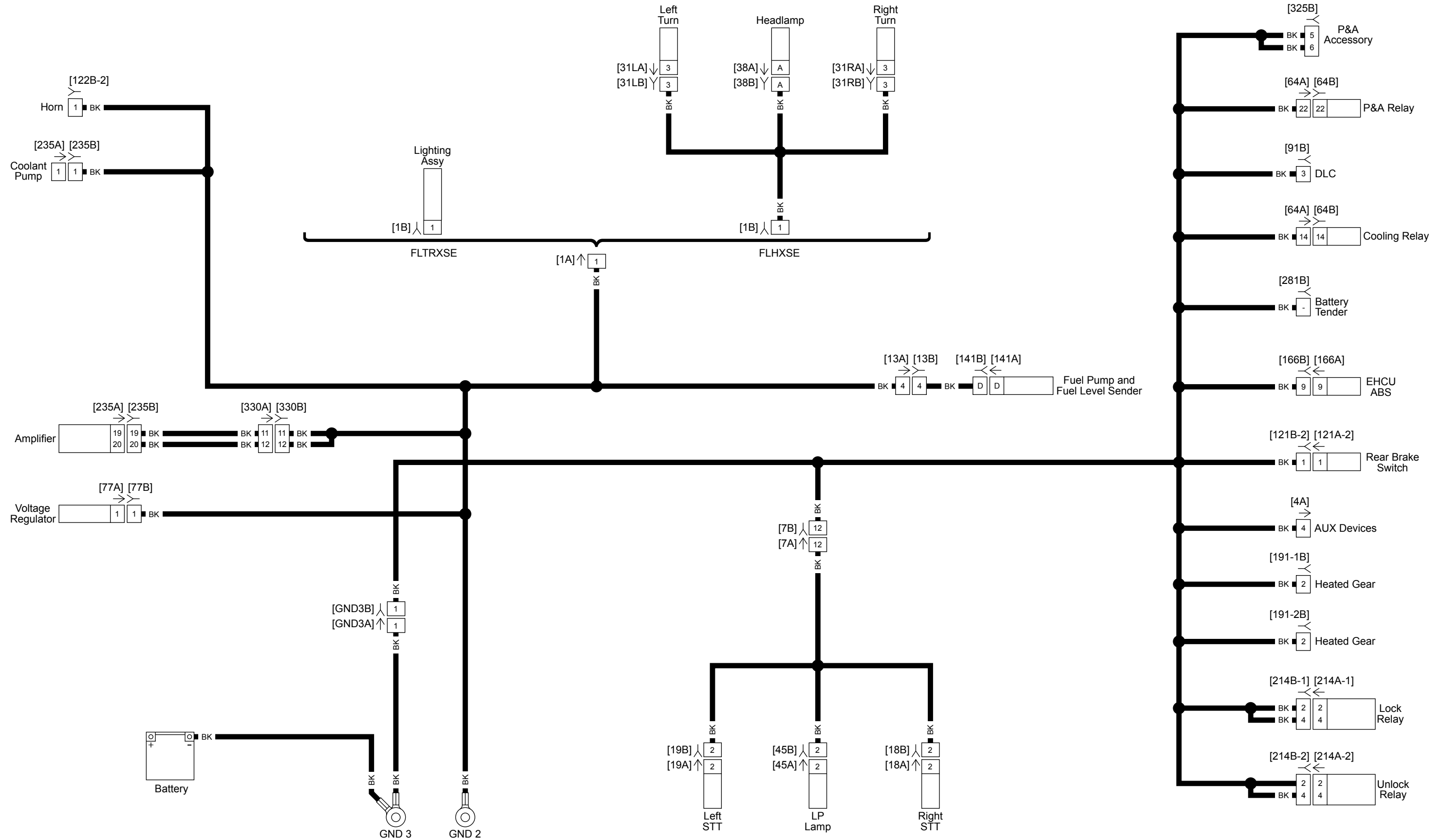
Power Distribution: RH975 Models.....	167
Sensor Grounds: RH975 Models.....	168
Ground Circuit: RH975 Models.....	169
Front Lighting and Hand Controls: RH975 Models.....	170
Main Harness 1 of 2: RH975 Models.....	171
Main Harness 2 of 2: RH975 Models.....	172
Engine Harness 1 of 2: RH975 Models.....	173
Engine Harness 2 of 2: RH975 Models.....	174
Rear Lighting: RH975 Models.....	175



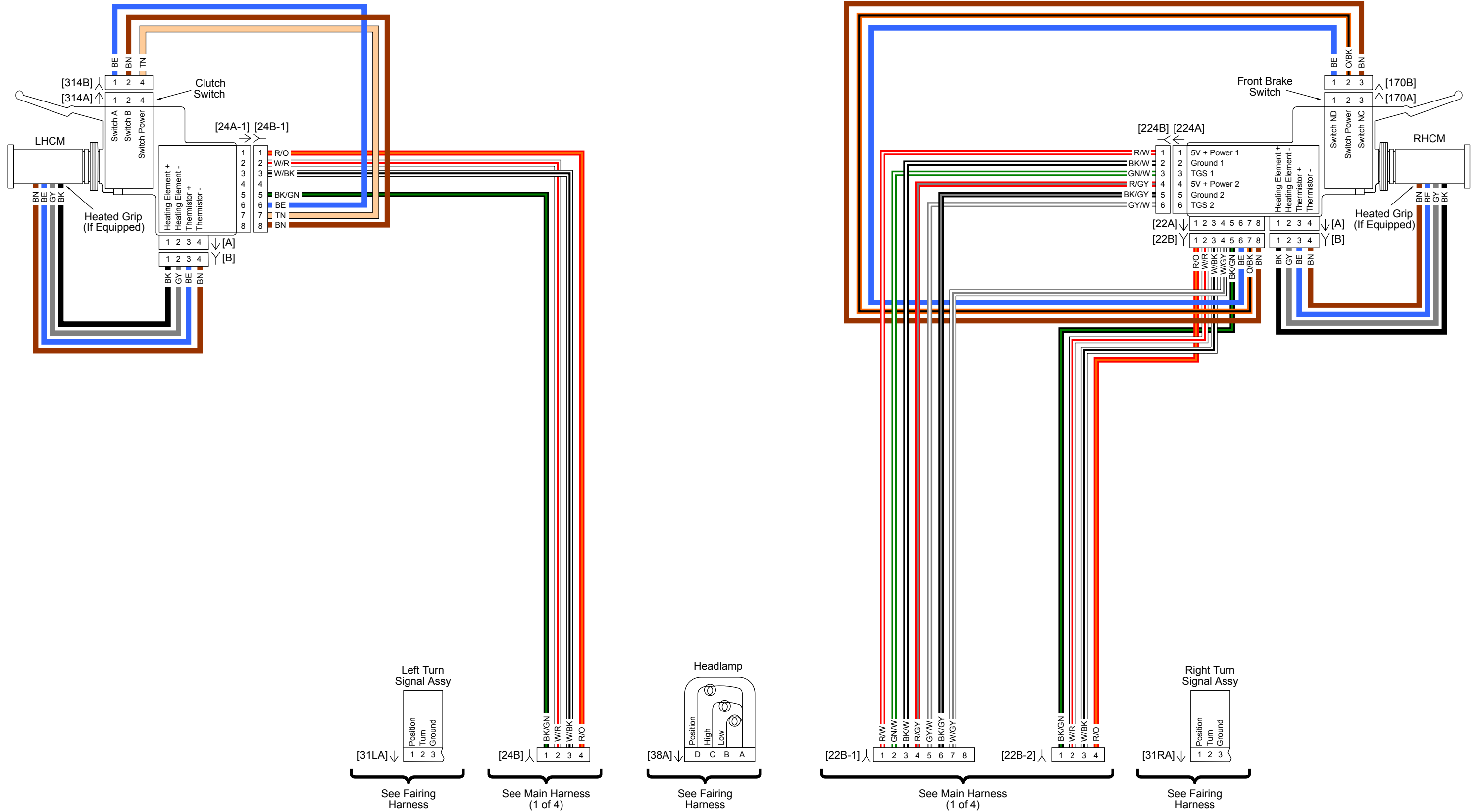
Power Distribution: FLXSE



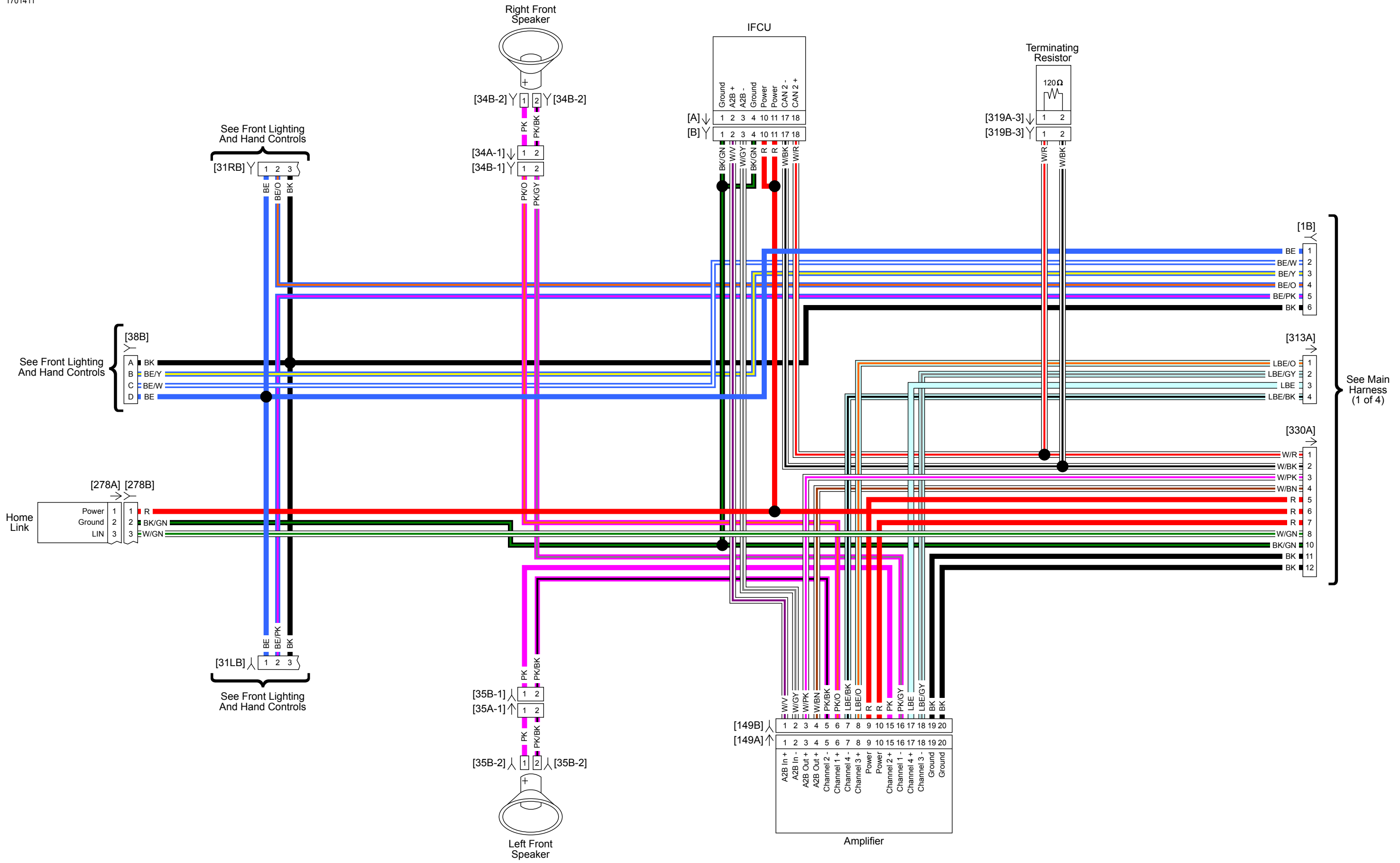
Sensor Grounds: FLHXSE



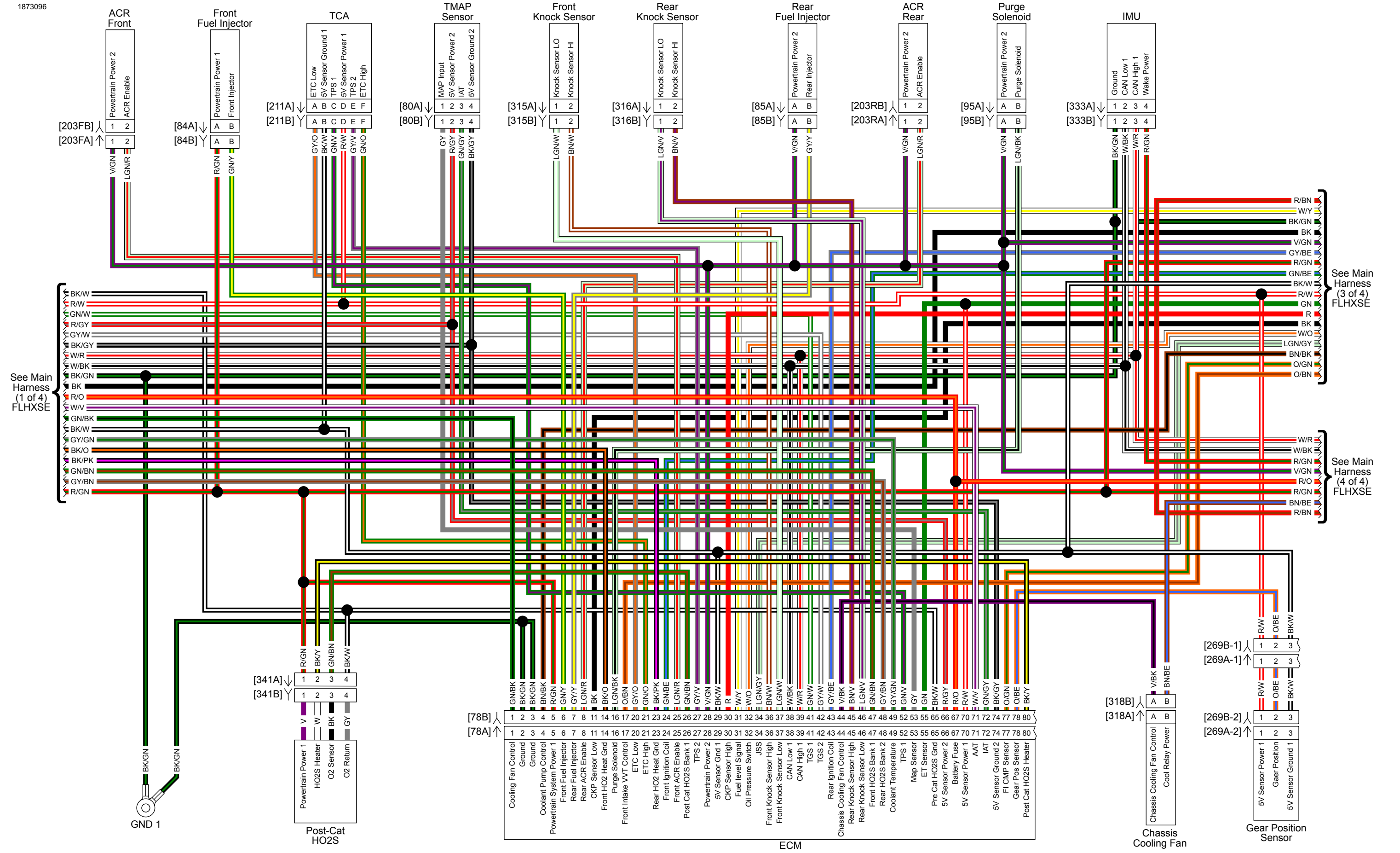
Ground Circuit: FLHXSE



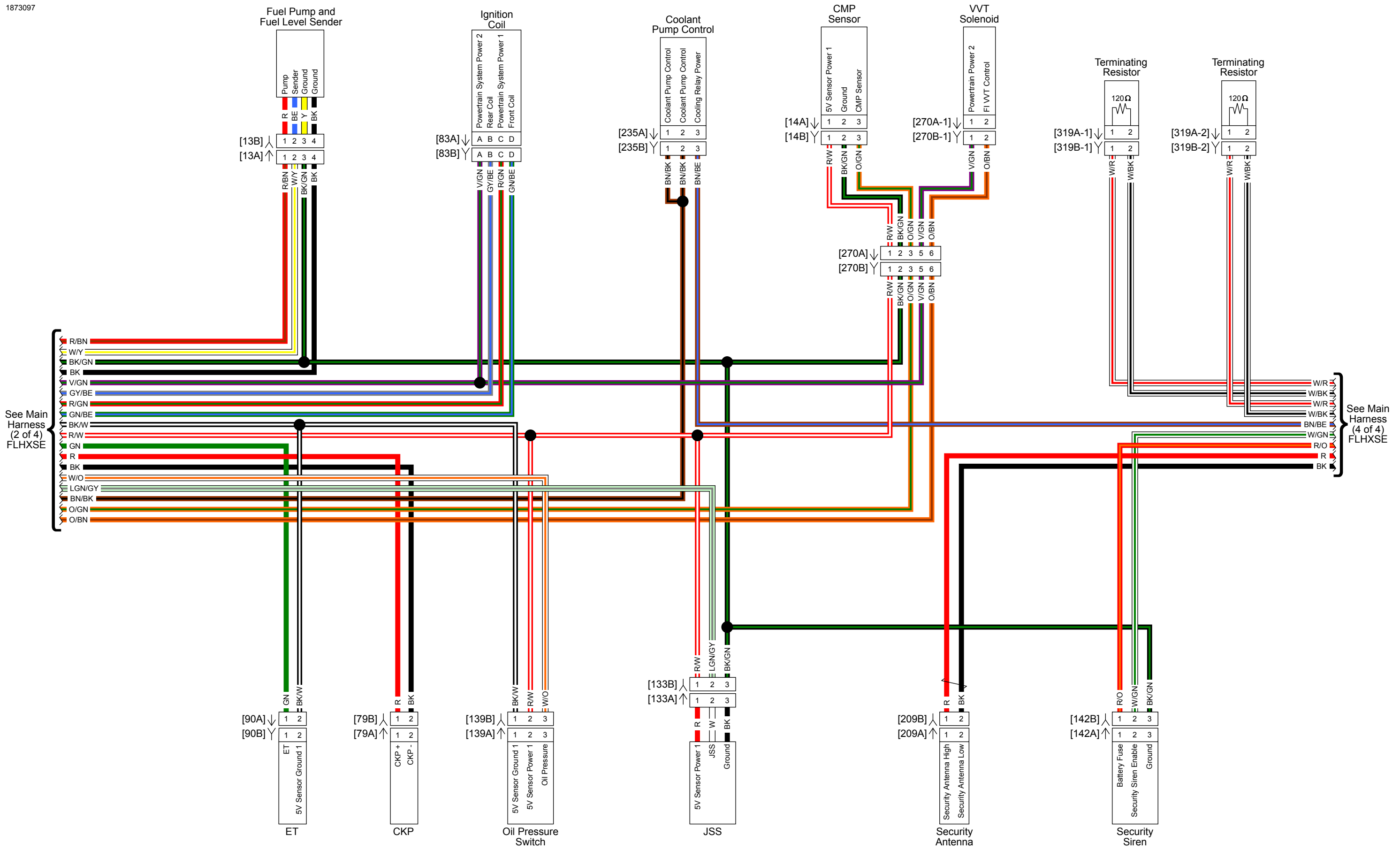
Front Lighting and Hand Controls: FLHXSE,



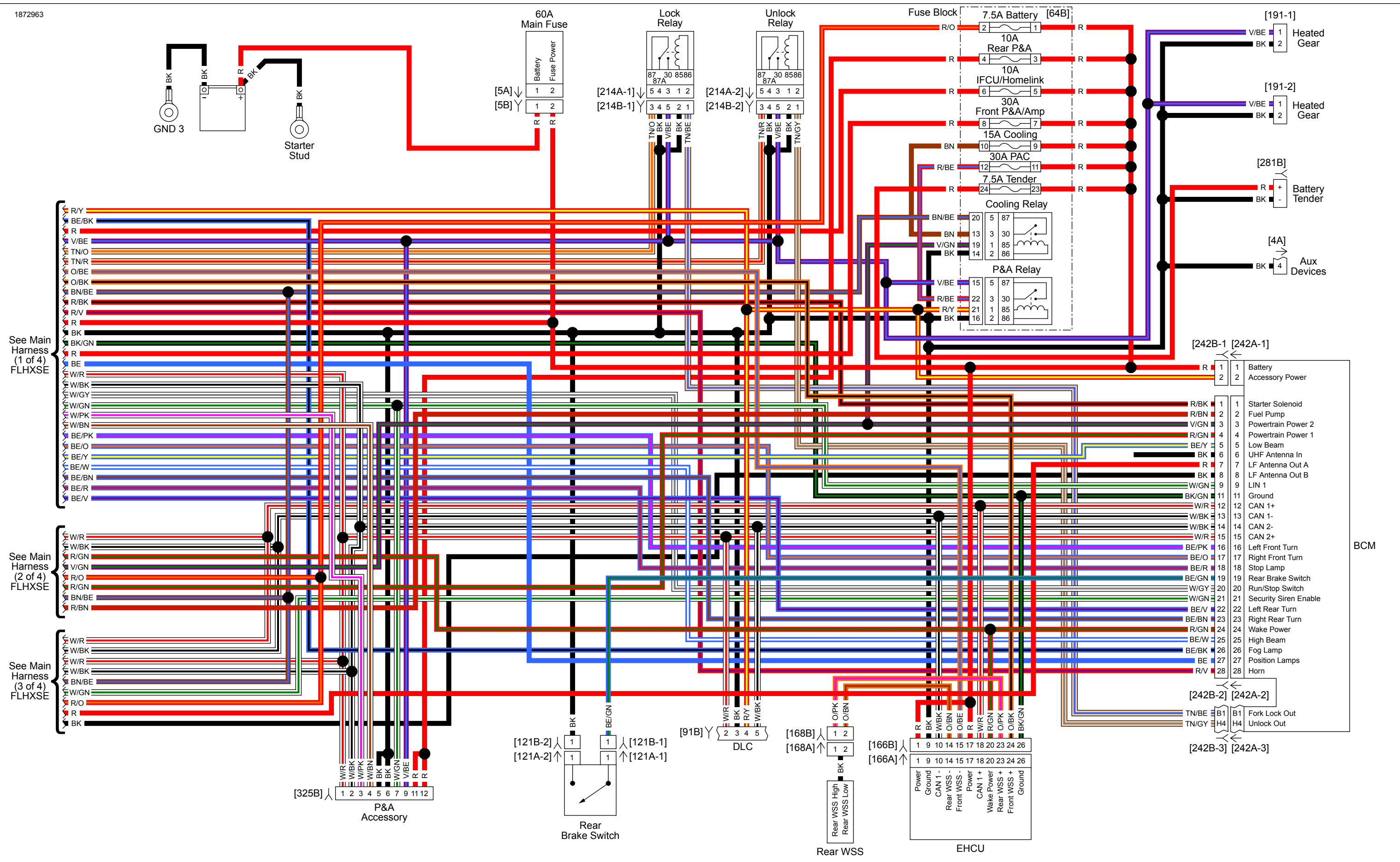
Fairing Harness: FLHXSE



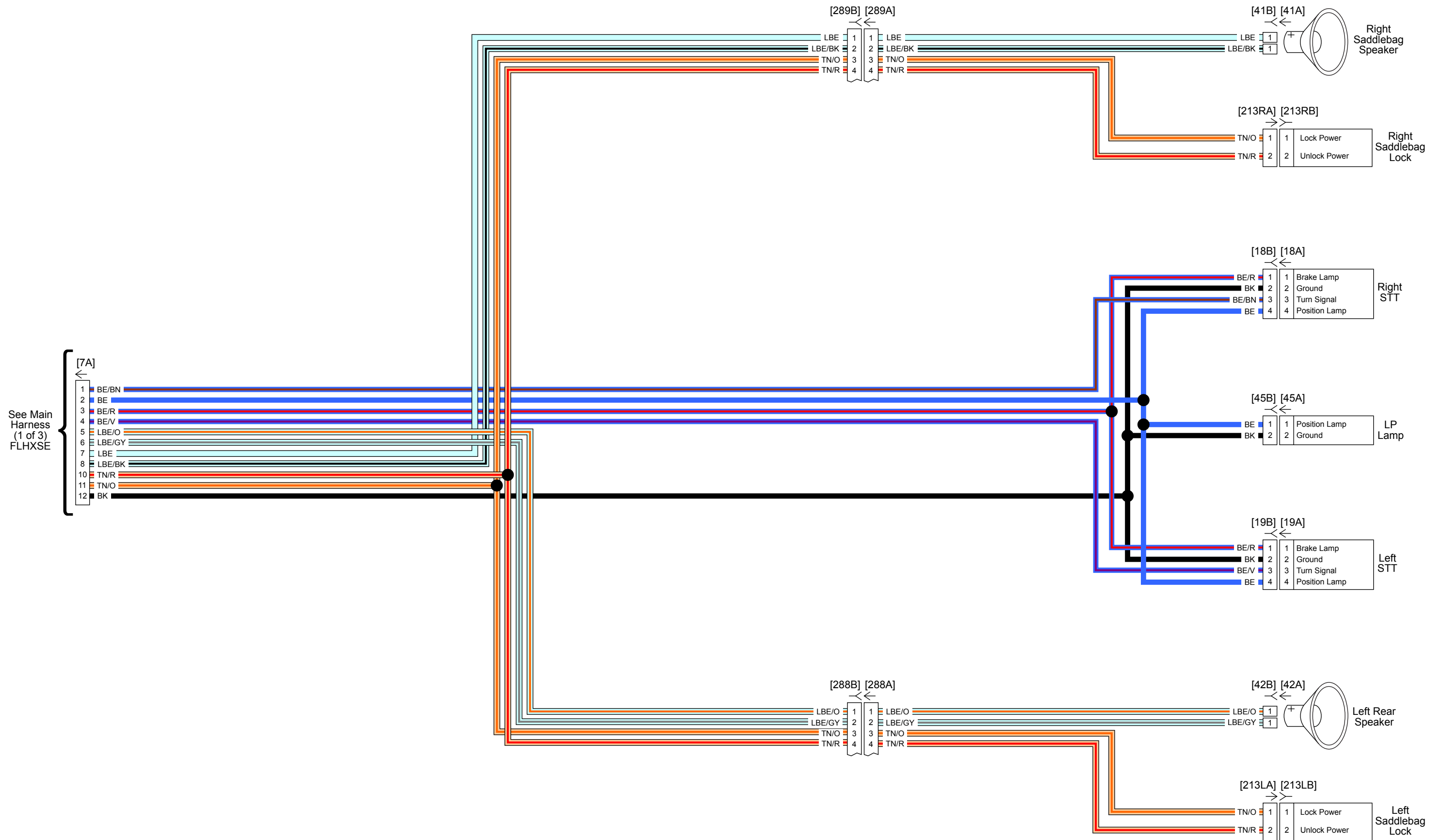
Main Harness (2 of 4): FLHXSE



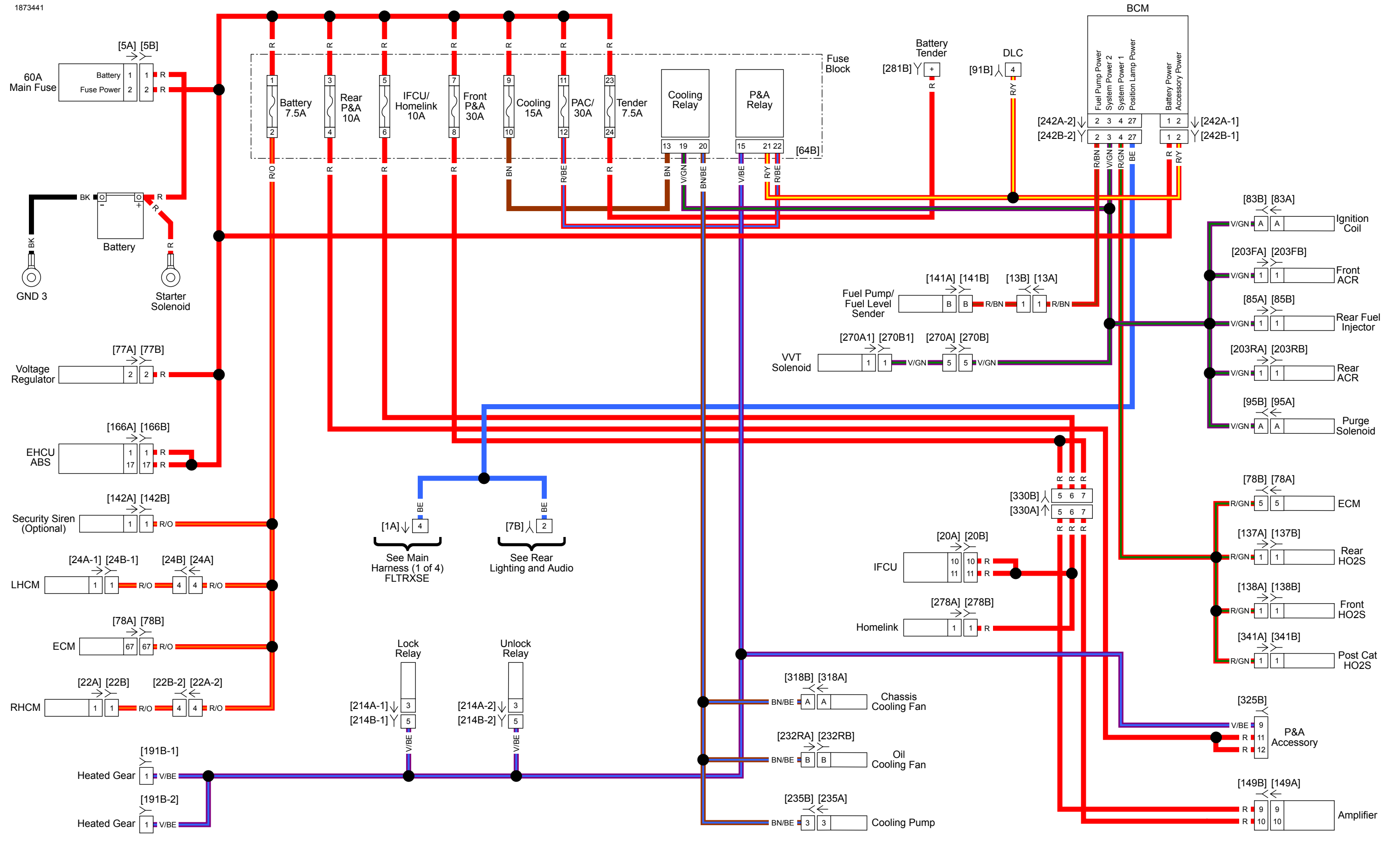
Main Harness (3 of 4): FLHXSE



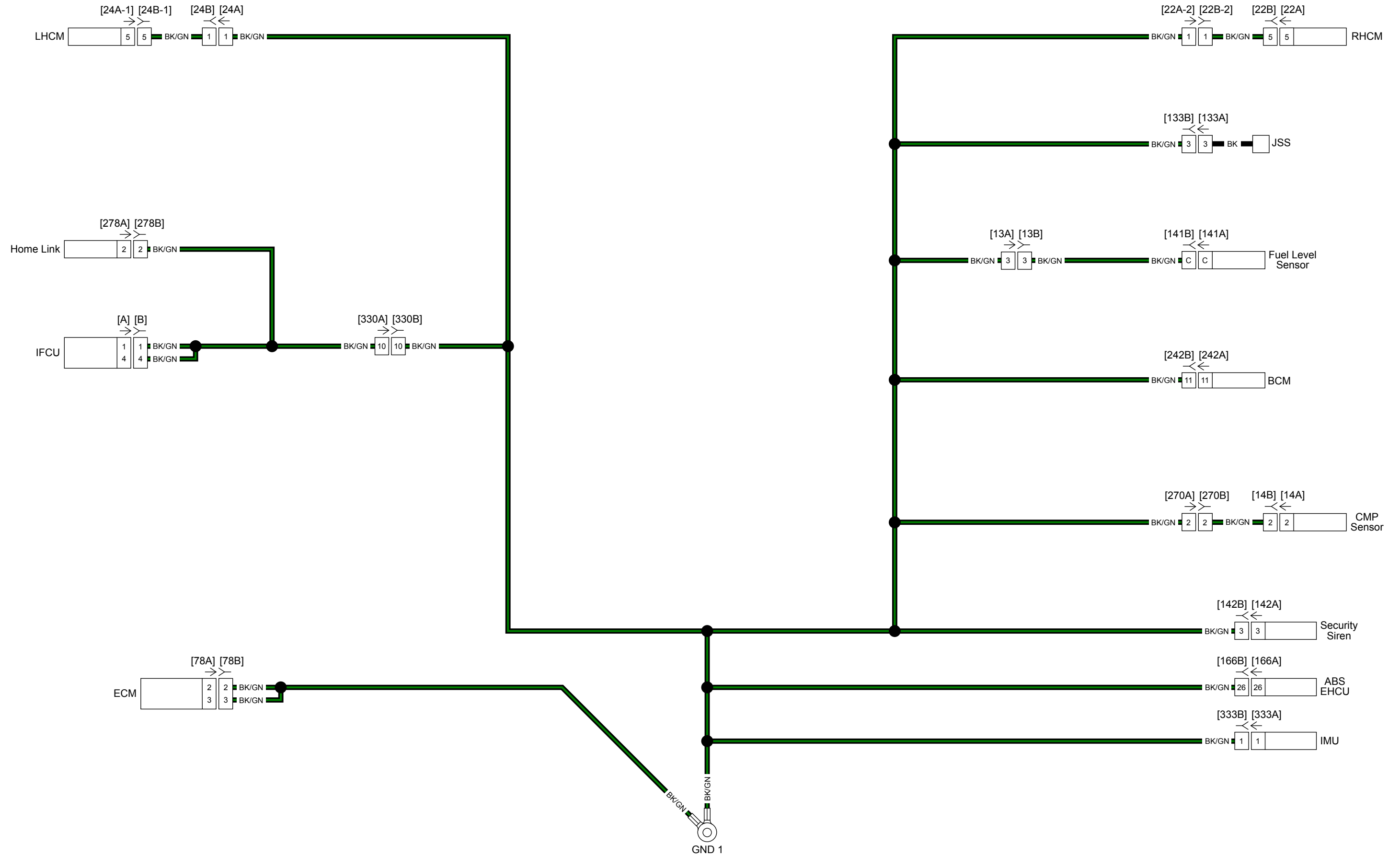
Main Harness (4 of 4): FLHXSE



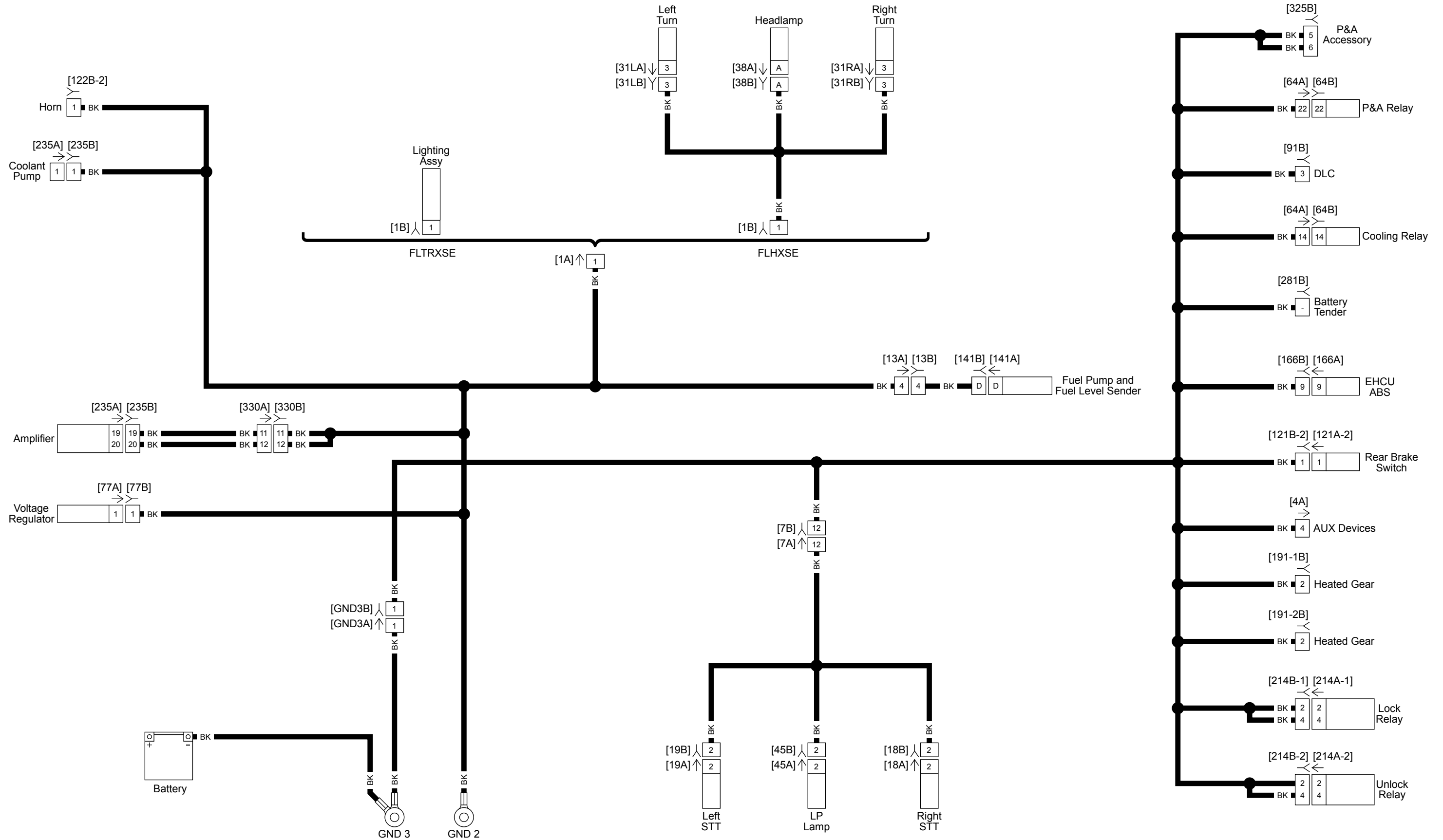
Rear Lighting and Audio: FLHXSE



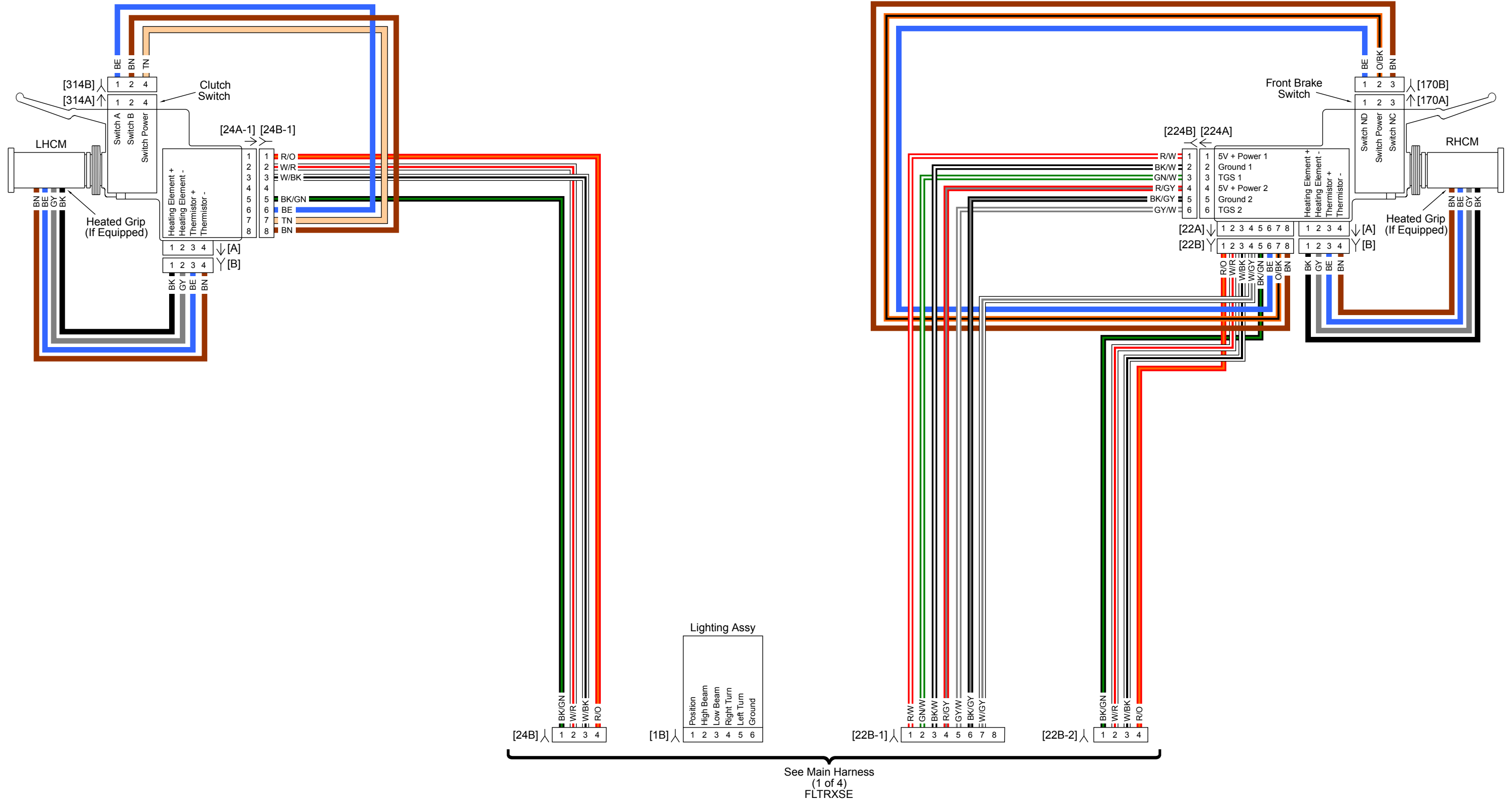
Power Distribution: FLTRXSE



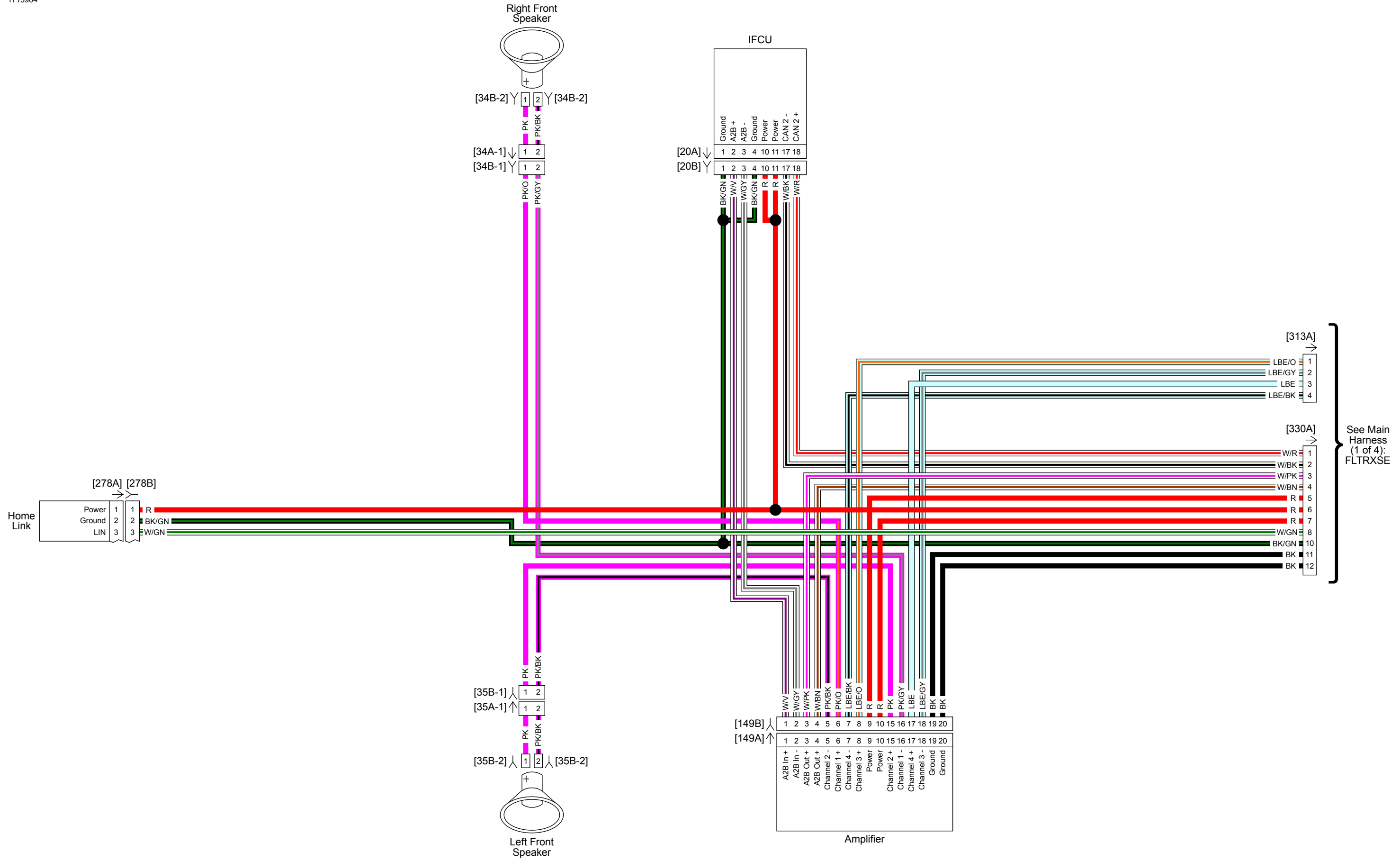
Sensor Grounds: FLTRXSE



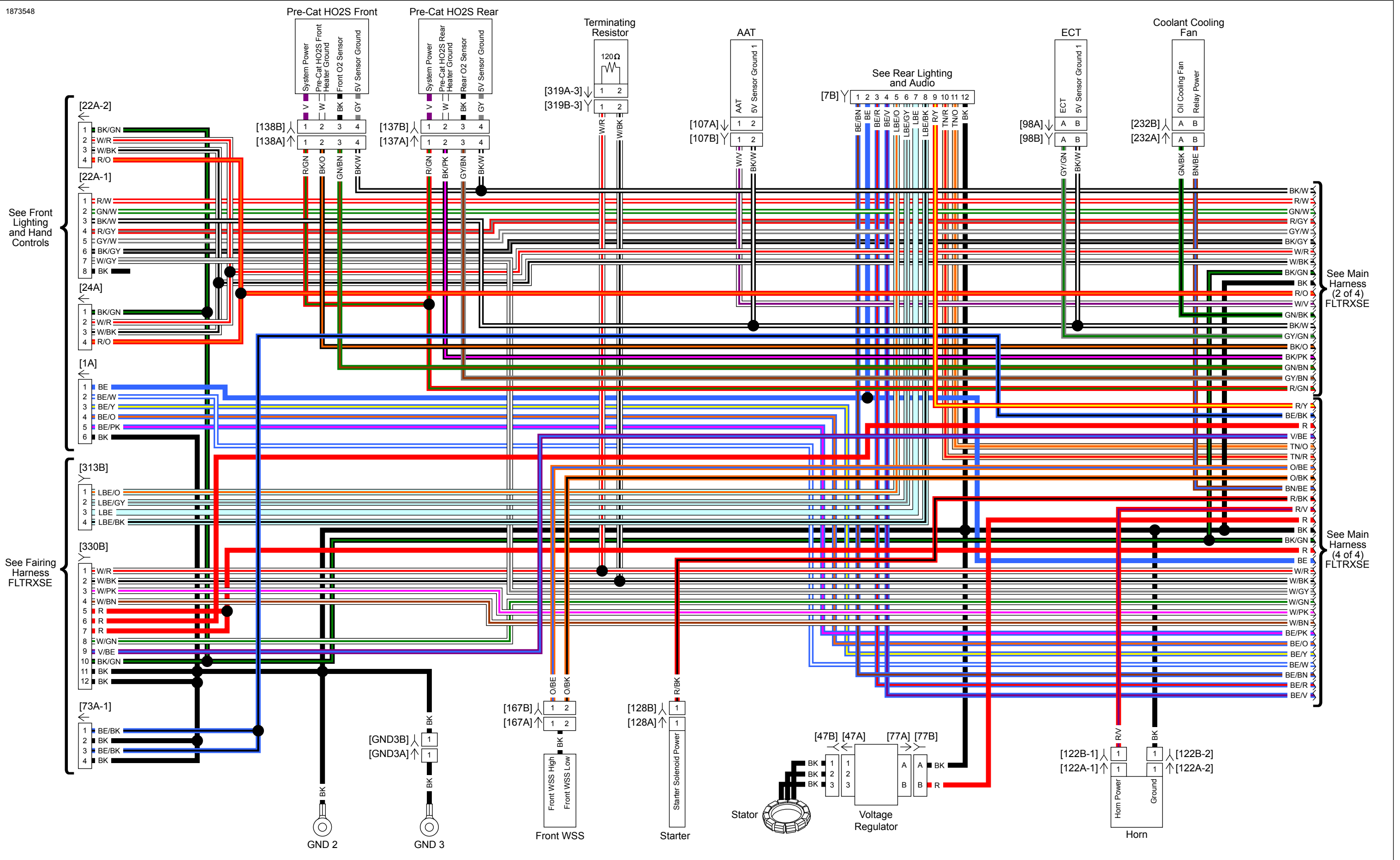
Ground Circuit: FLTRXSE



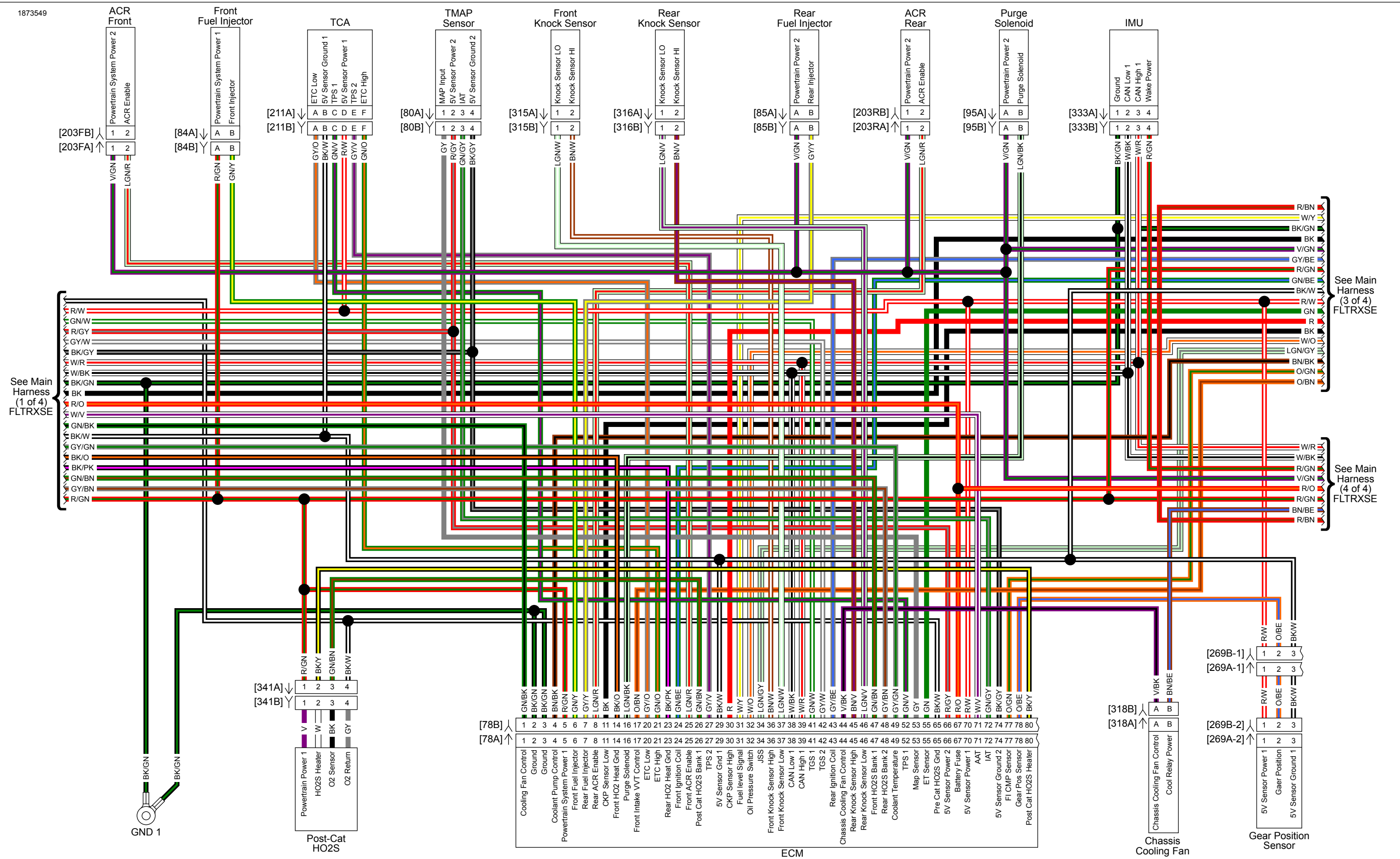
Front Lighting and Hand Controls: FLTRXSE



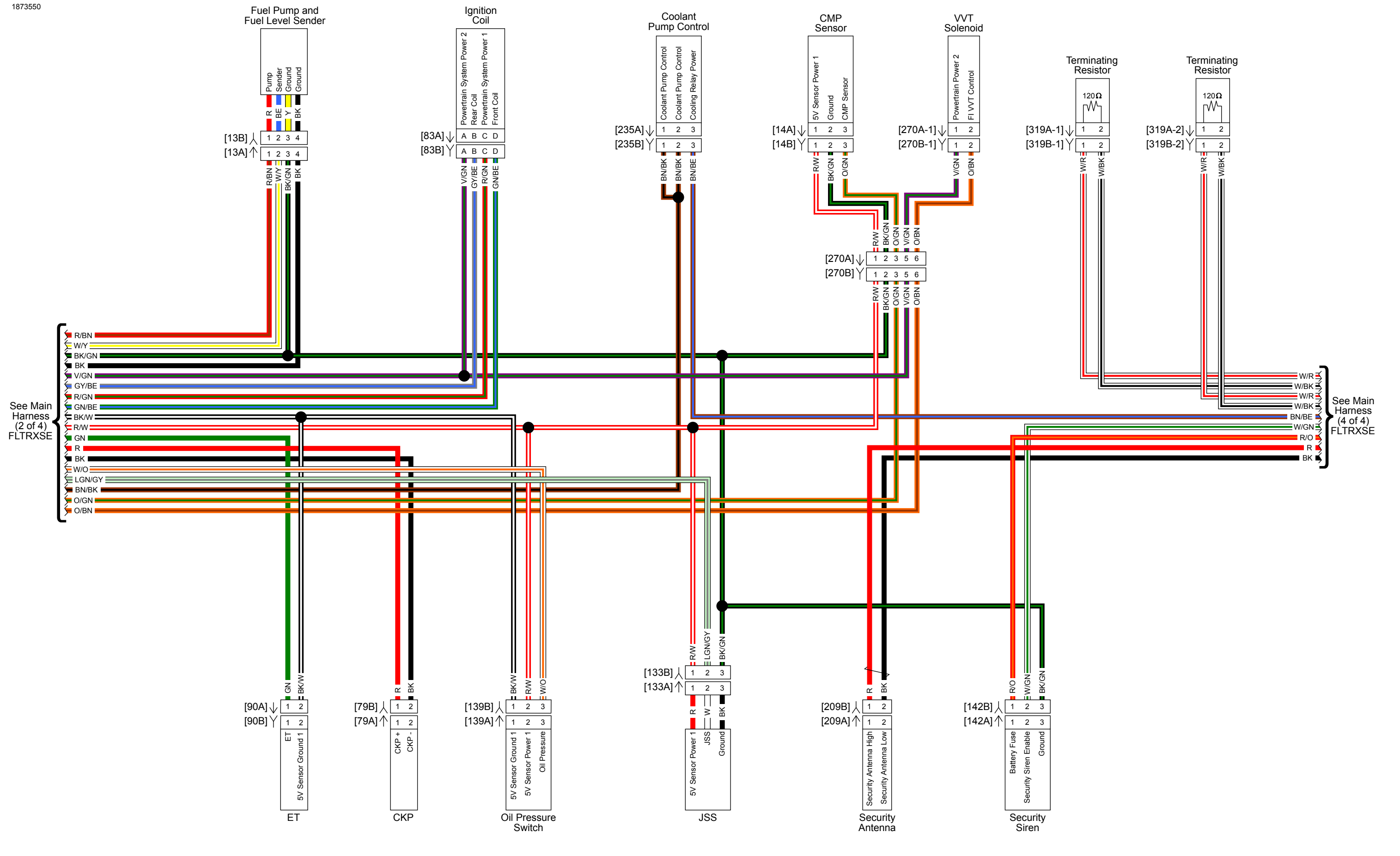
Fairing Harness: FLTRXSE



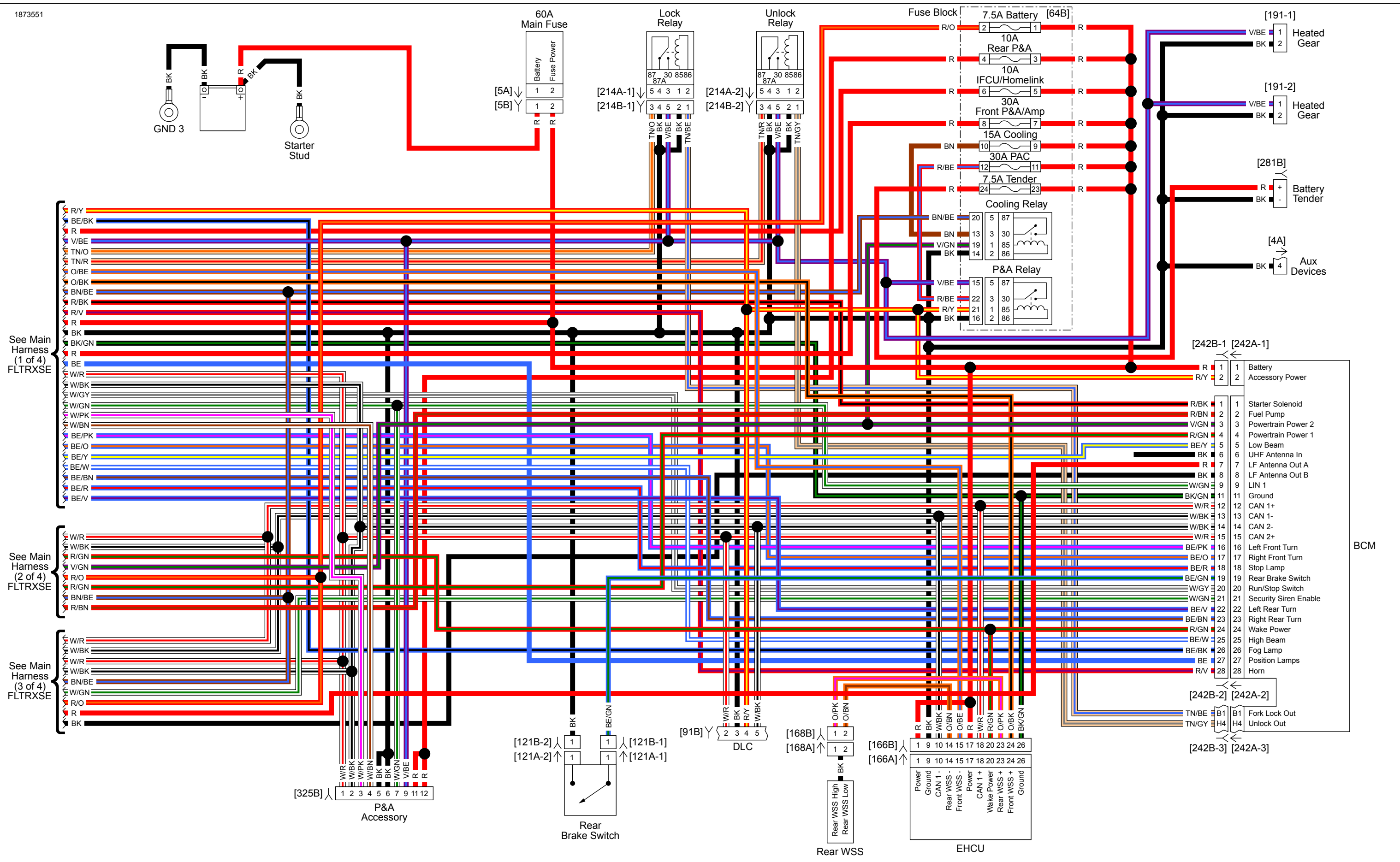
Main Harness (1 of 4): FLTRXSE



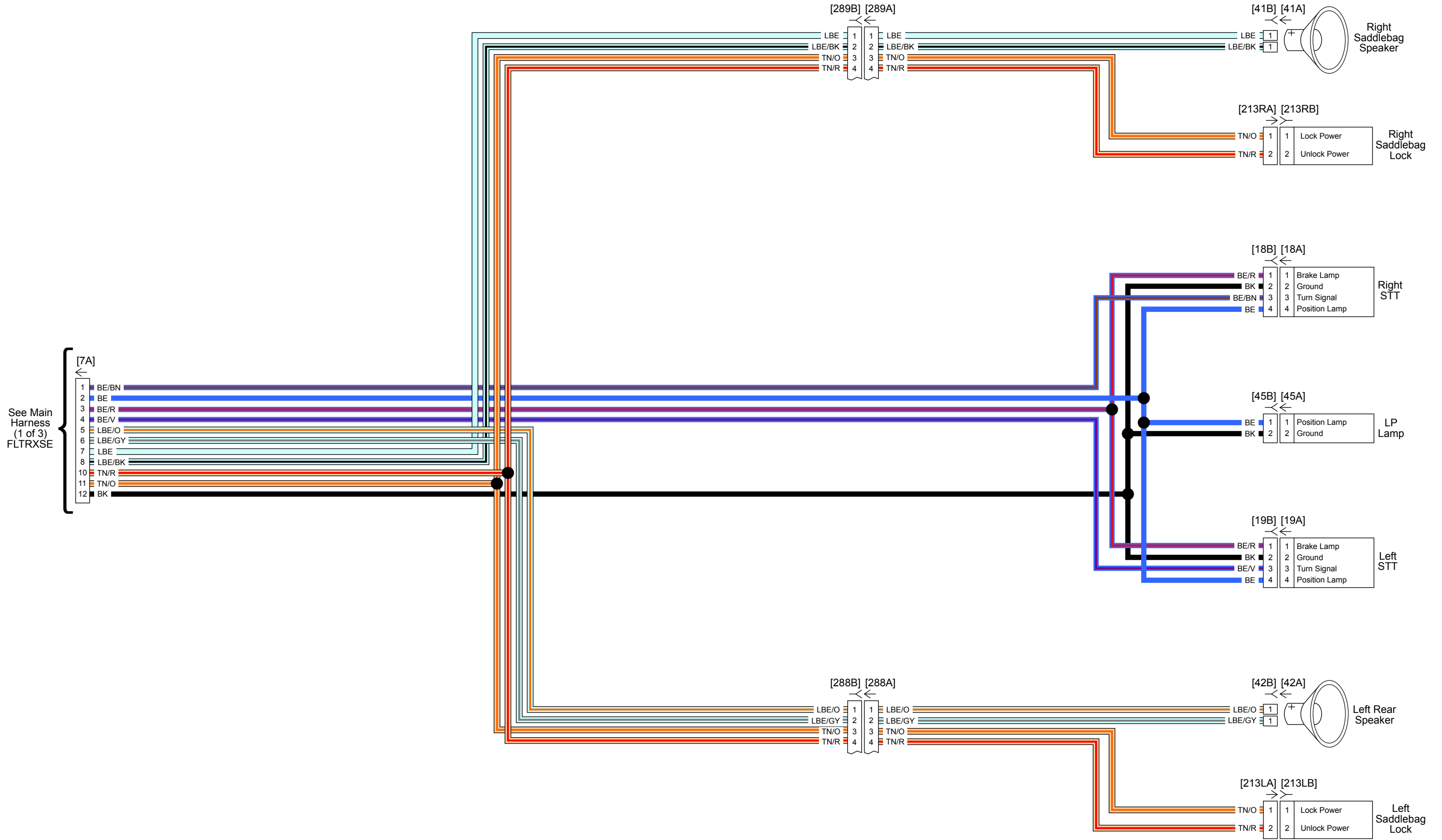
Main Harness (2 of 4): FLTRXSE



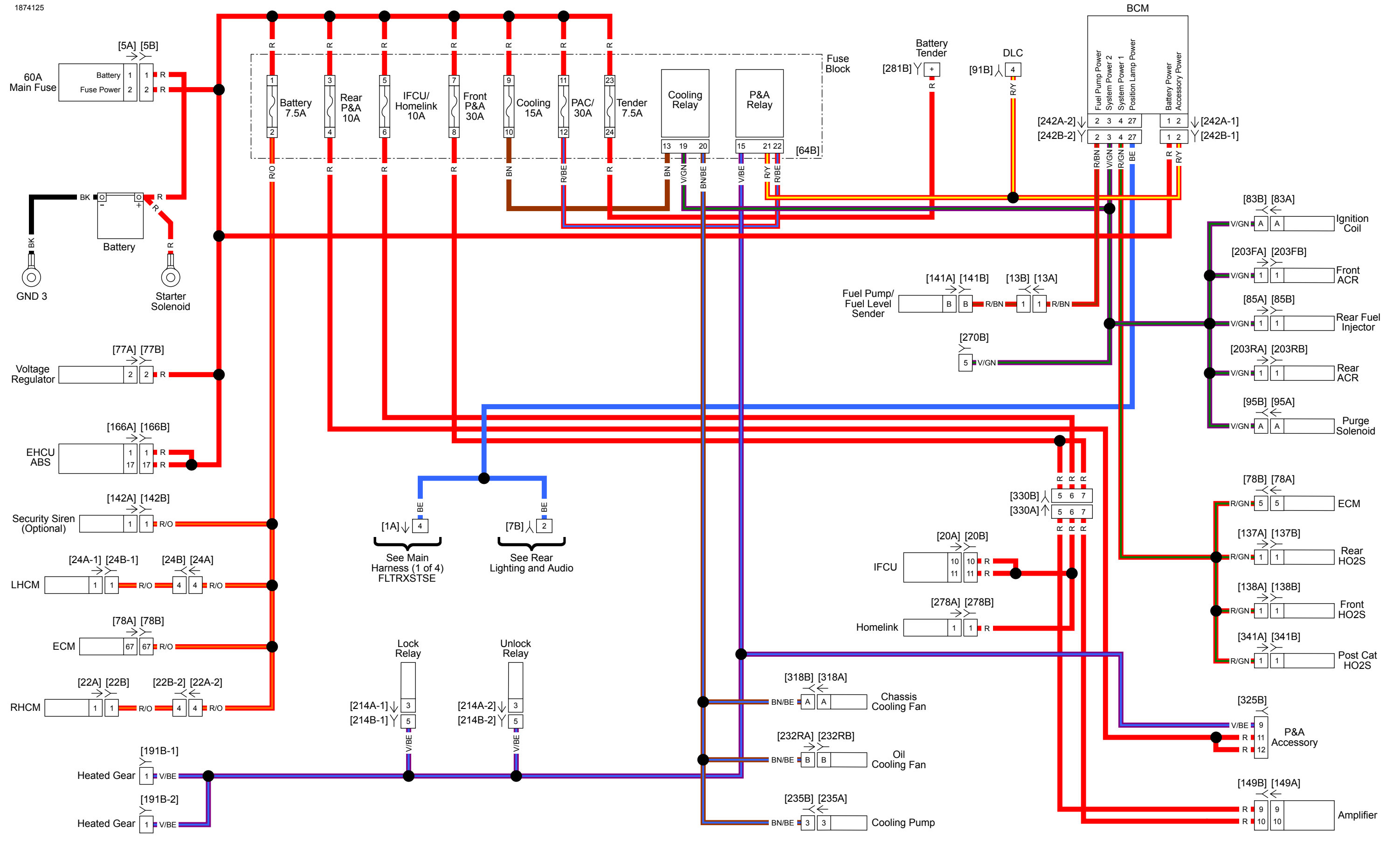
Main Harness (3 of 4): FLTRXSE



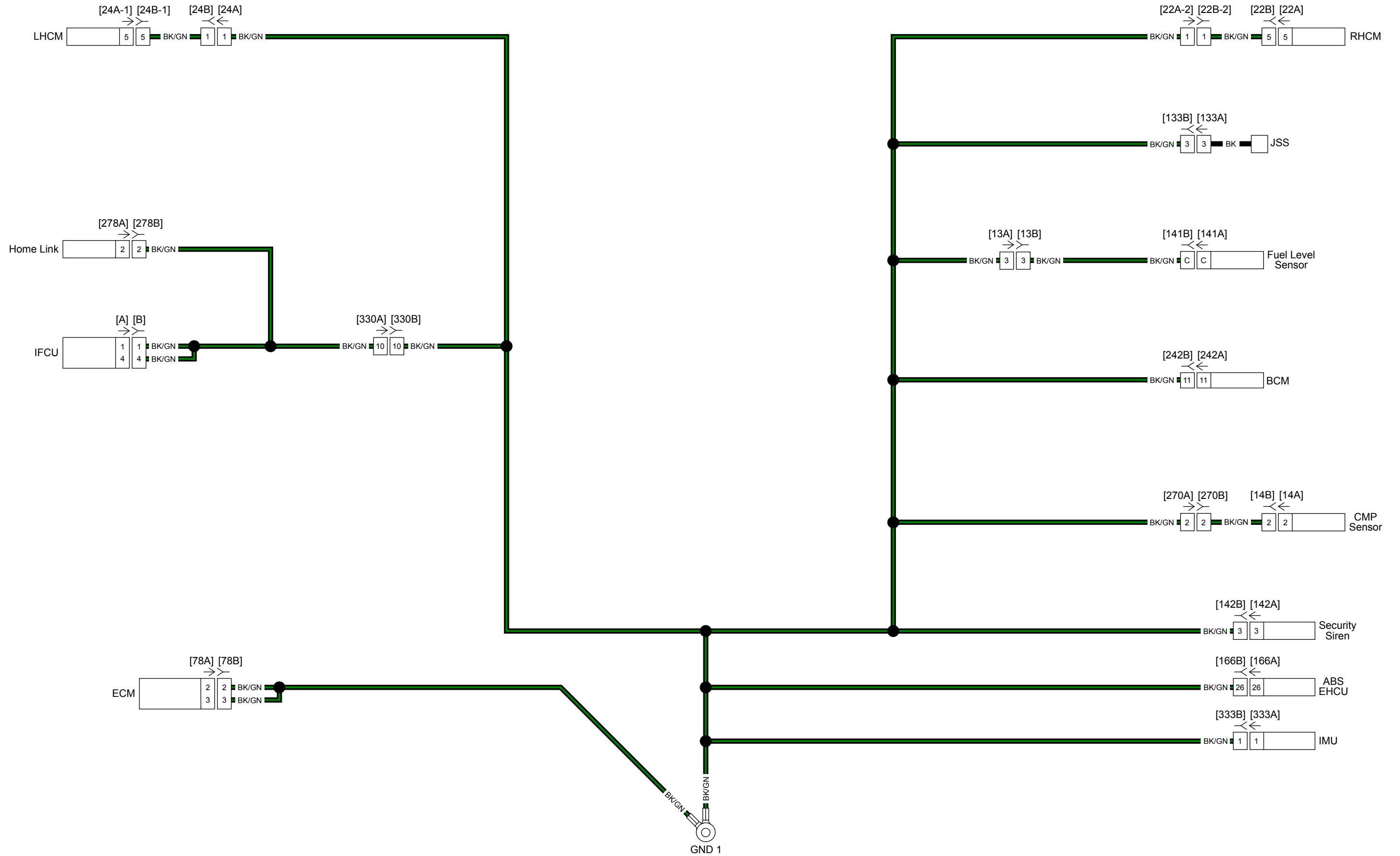
Main Harness (4 of 4): FLTRXSE



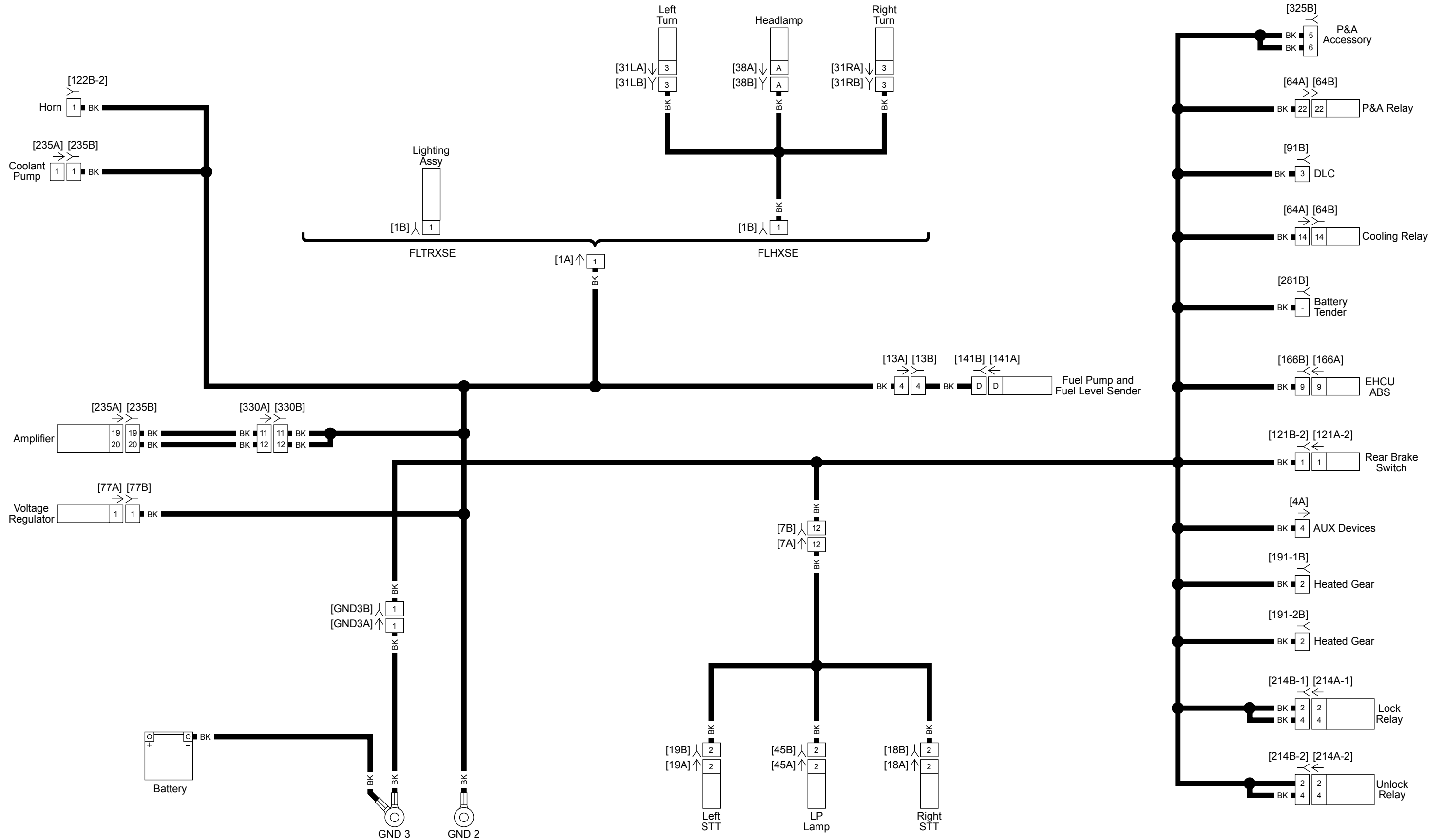
Rear Lighting and Audio: FLTRXSE



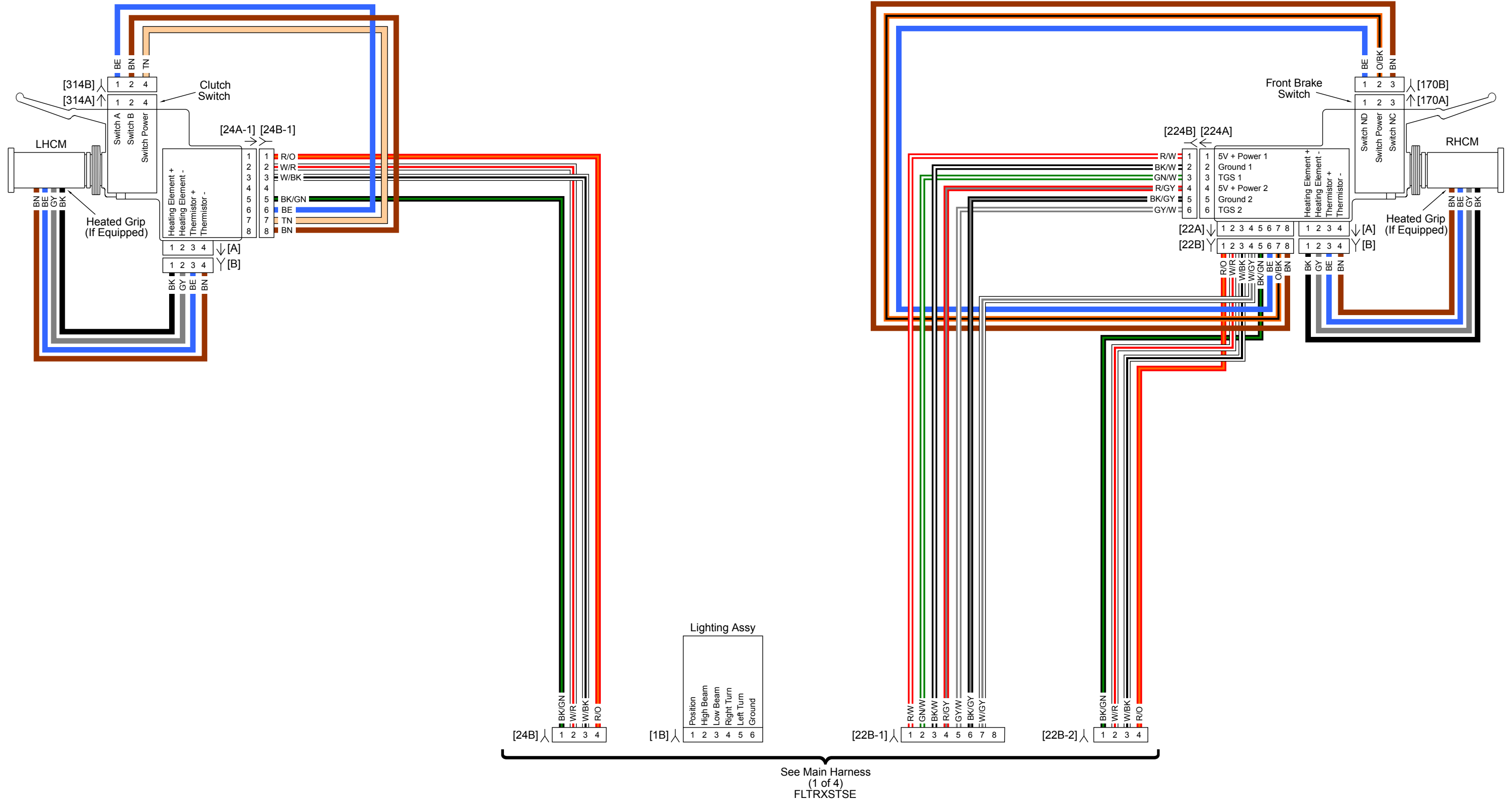
Power Distribution: FLTRXSTSE



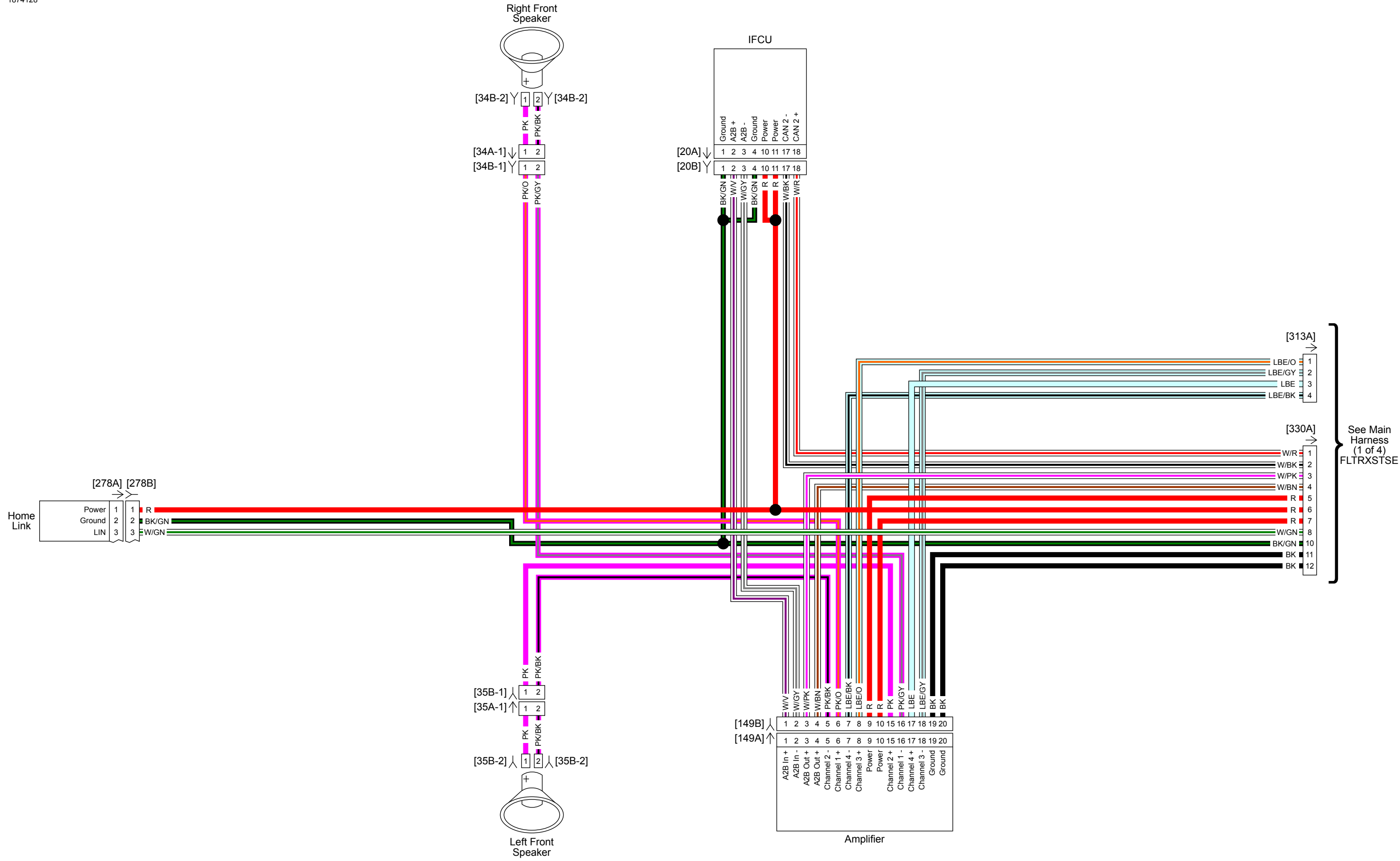
Sensor Grounds: FLTRXSTSE



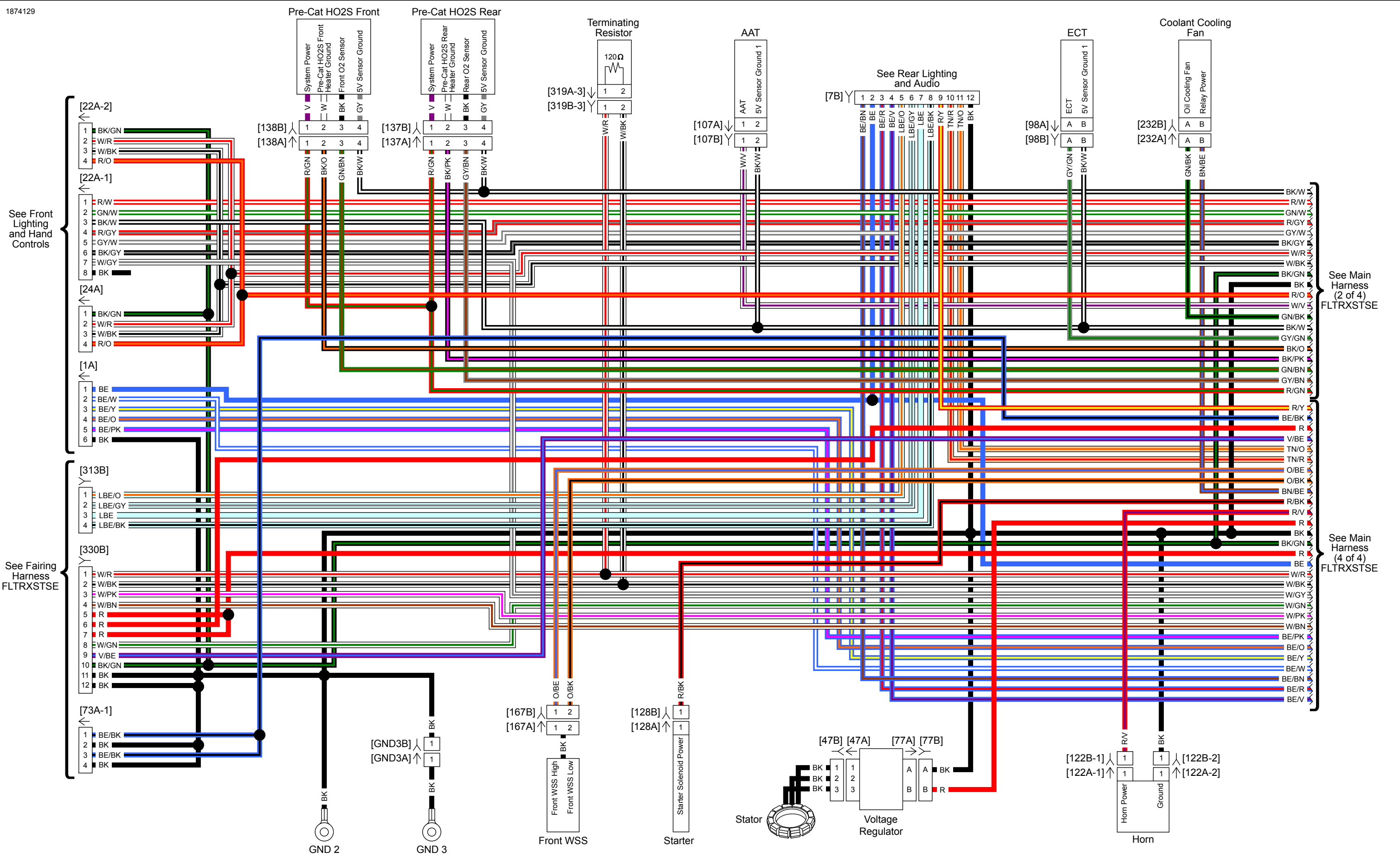
Ground Circuit: FLTRXSTSE



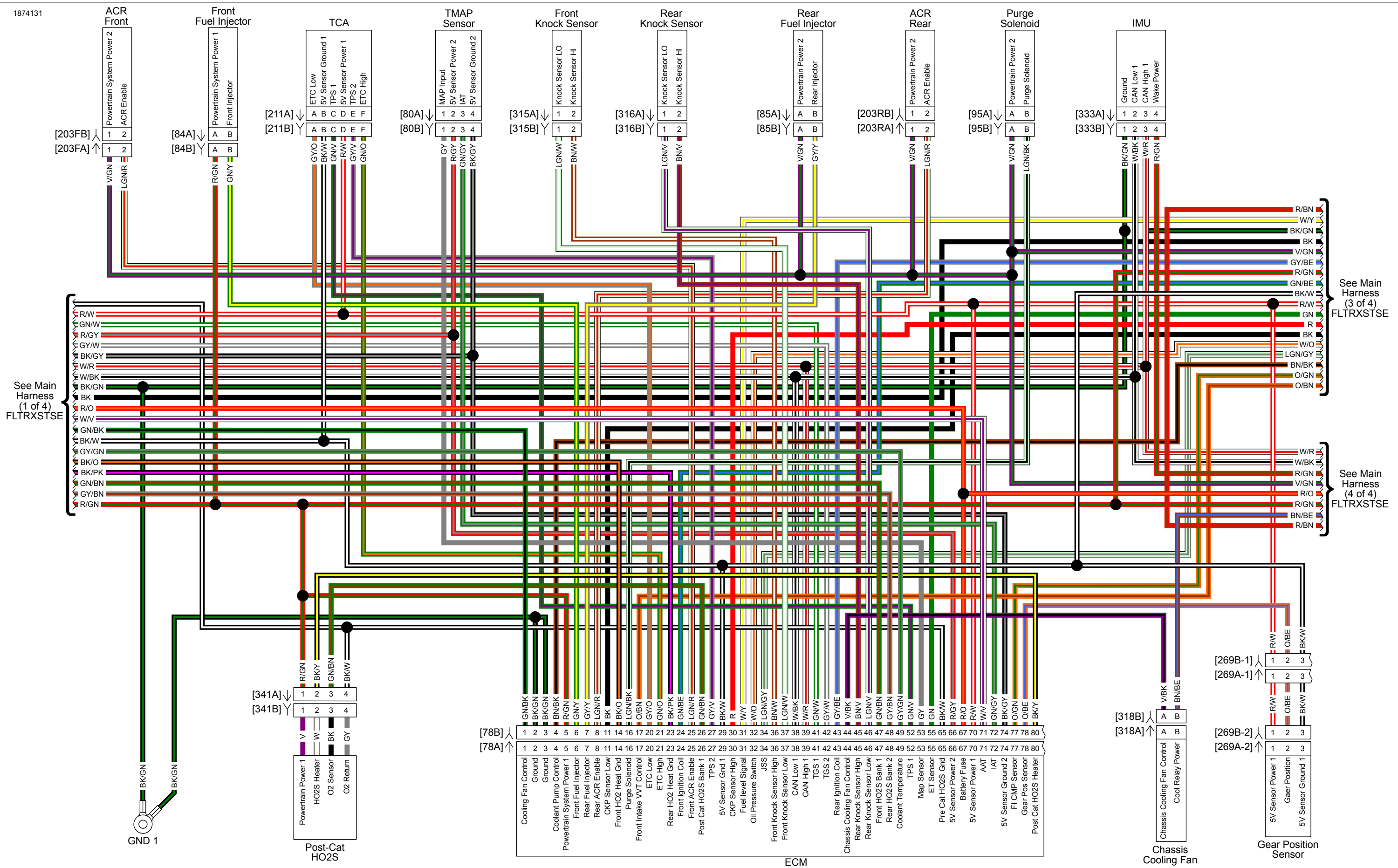
Front Lighting and Hand Controls: FLTRXSTSE



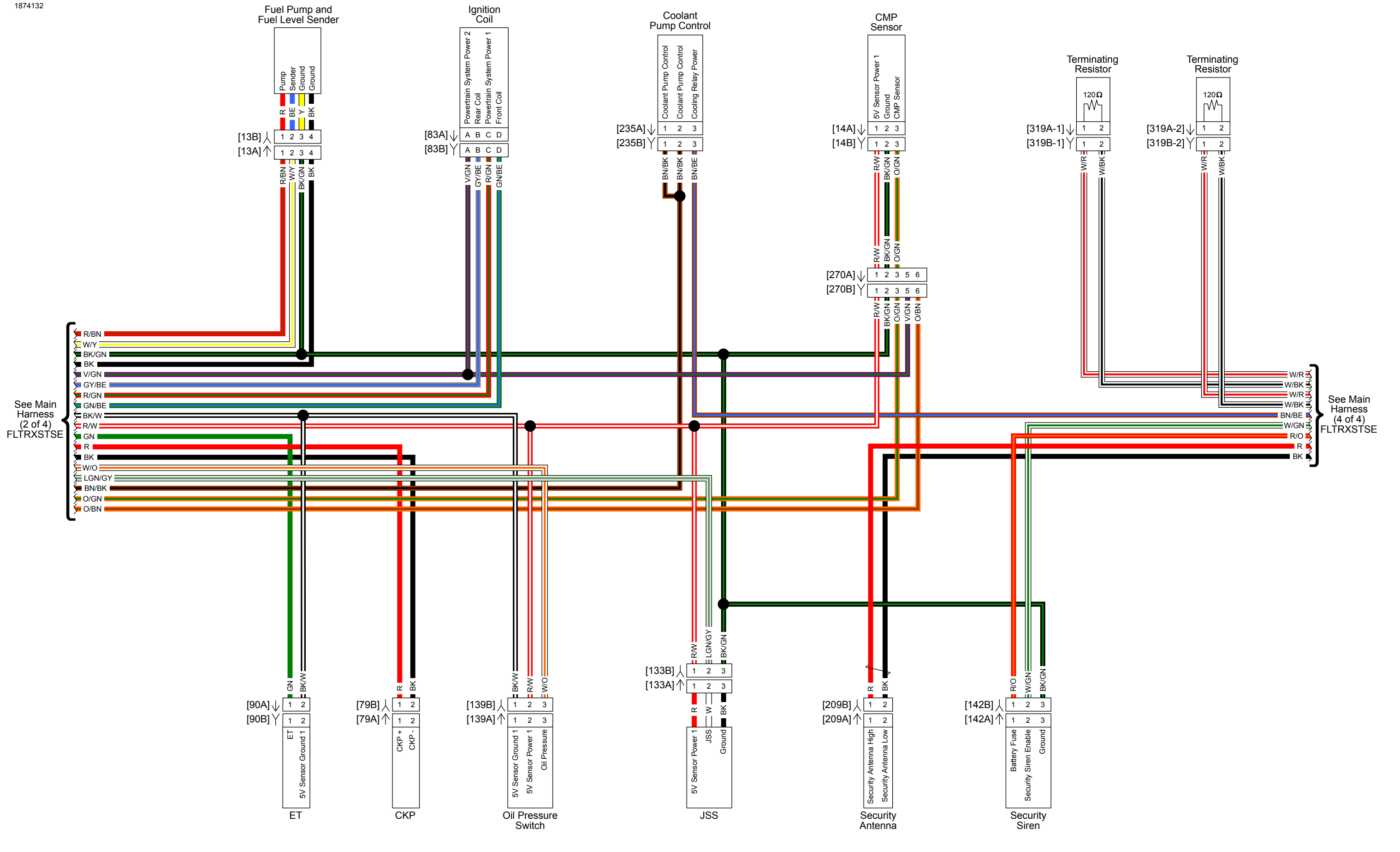
Fairing Harness: FLTRXSTSE



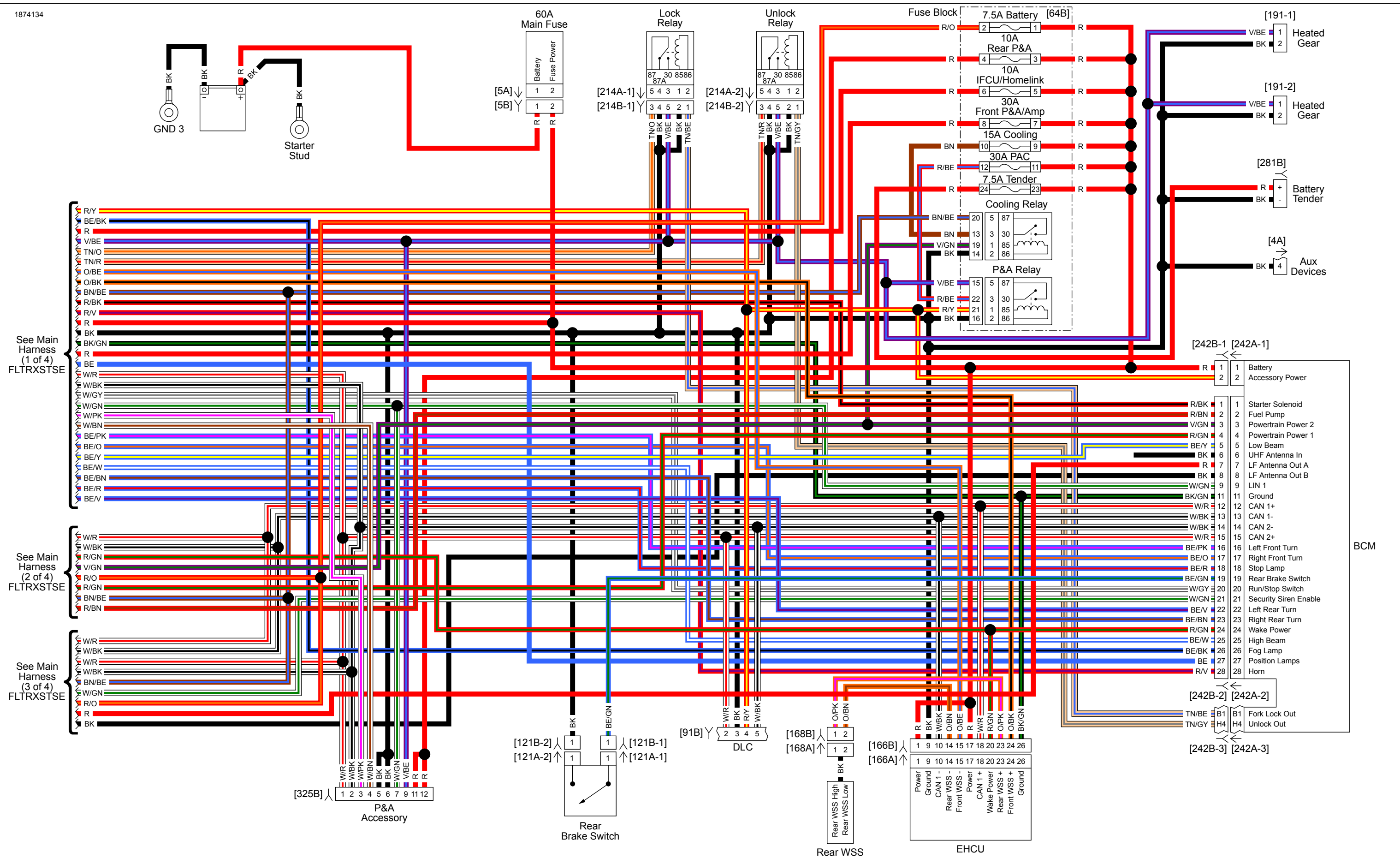
Main Harness (1 of 4): FLTRXSTSE



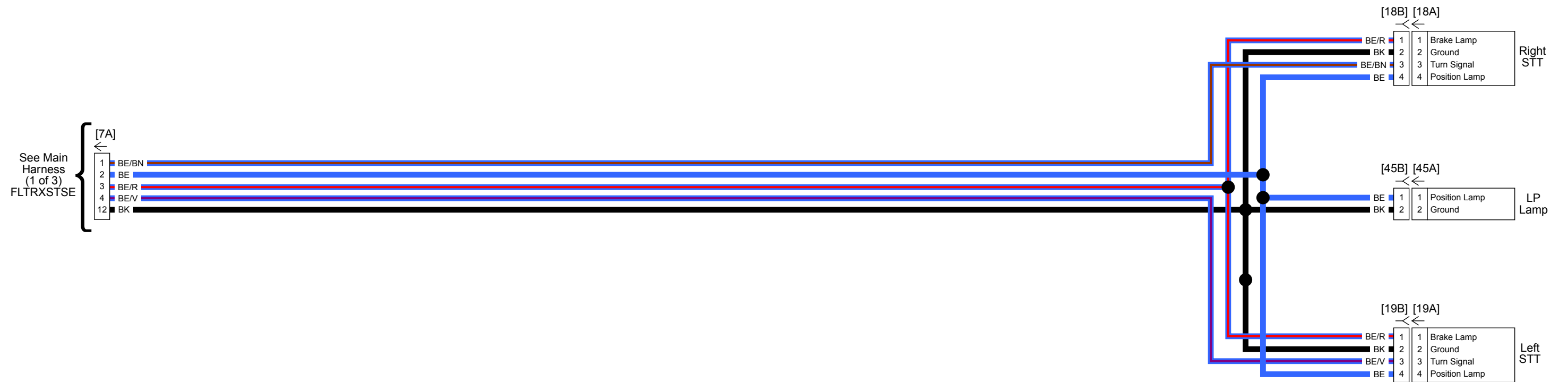
Main Harness (2 of 4): FLTRXSTSE



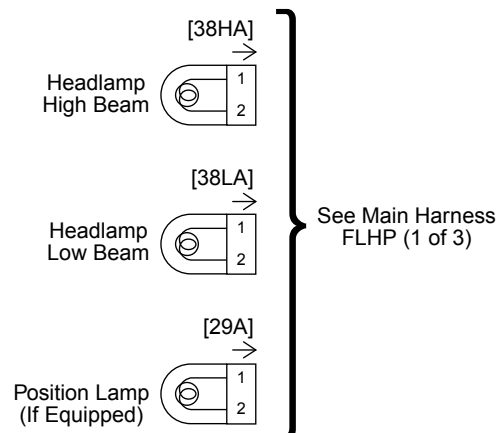
Main Harness (3 of 4): FLTRXSTSE



Main Harness (4 of 4): FLTRXSTSE

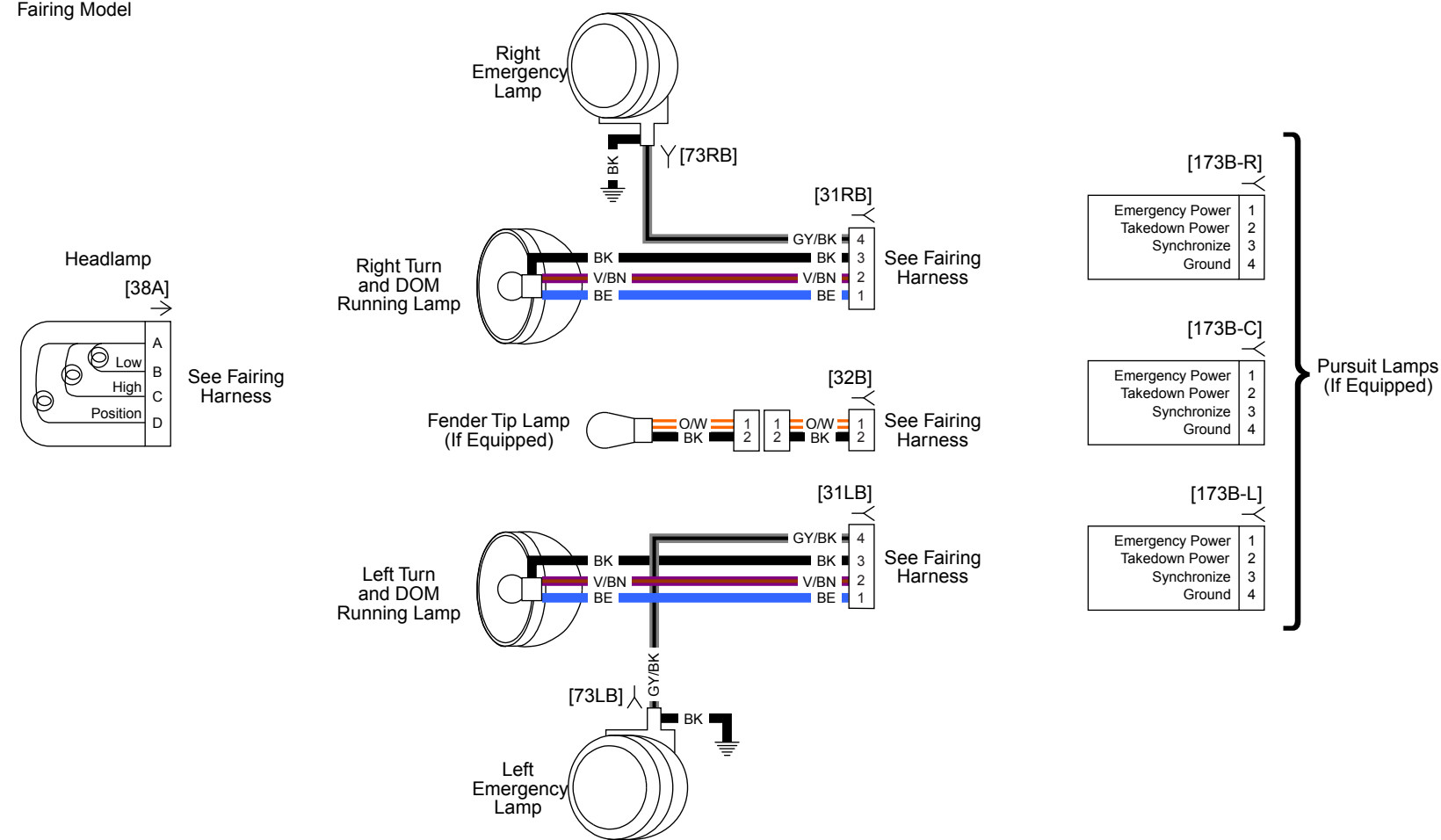


Rear Lighting and Audio: FLTRXSTSE

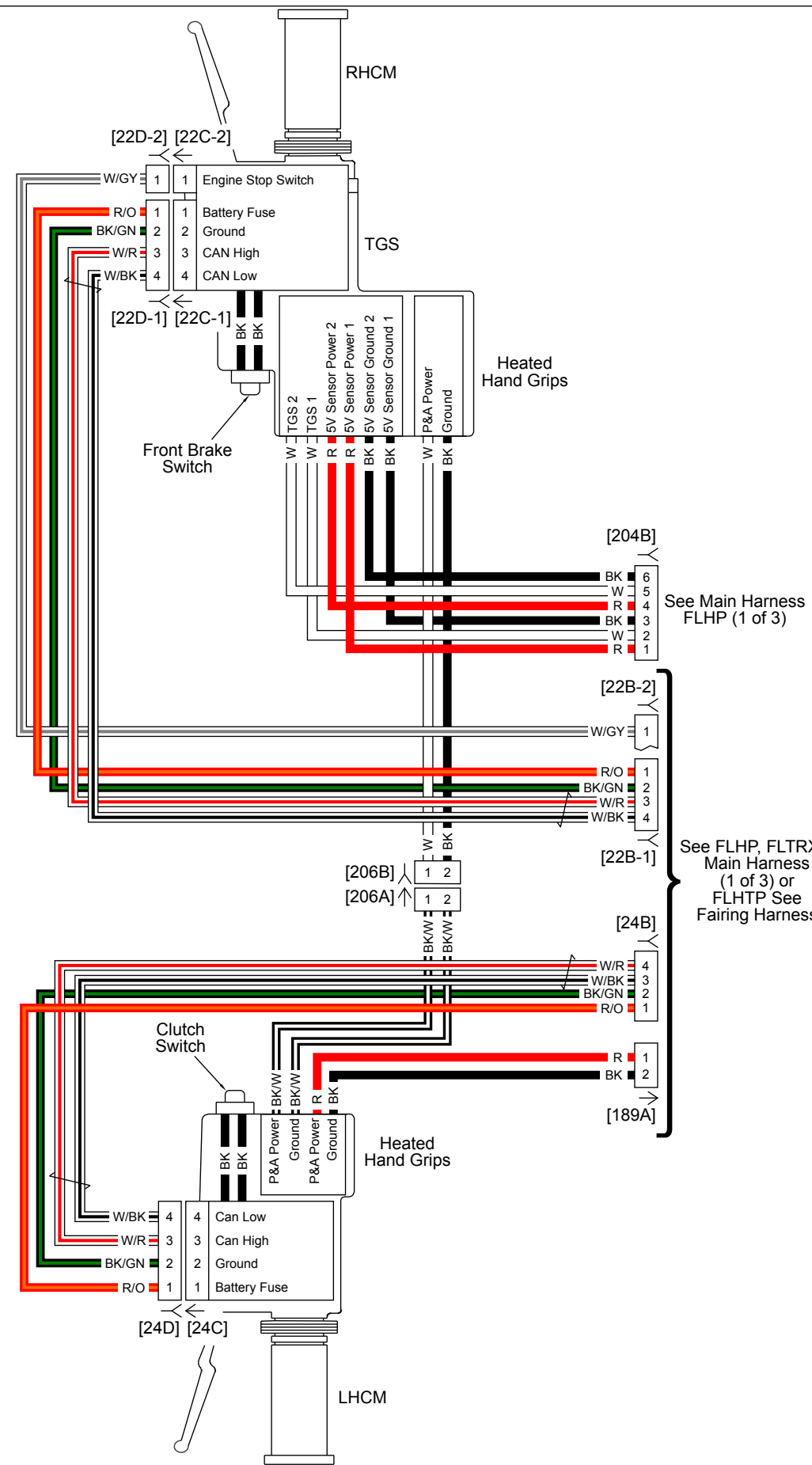


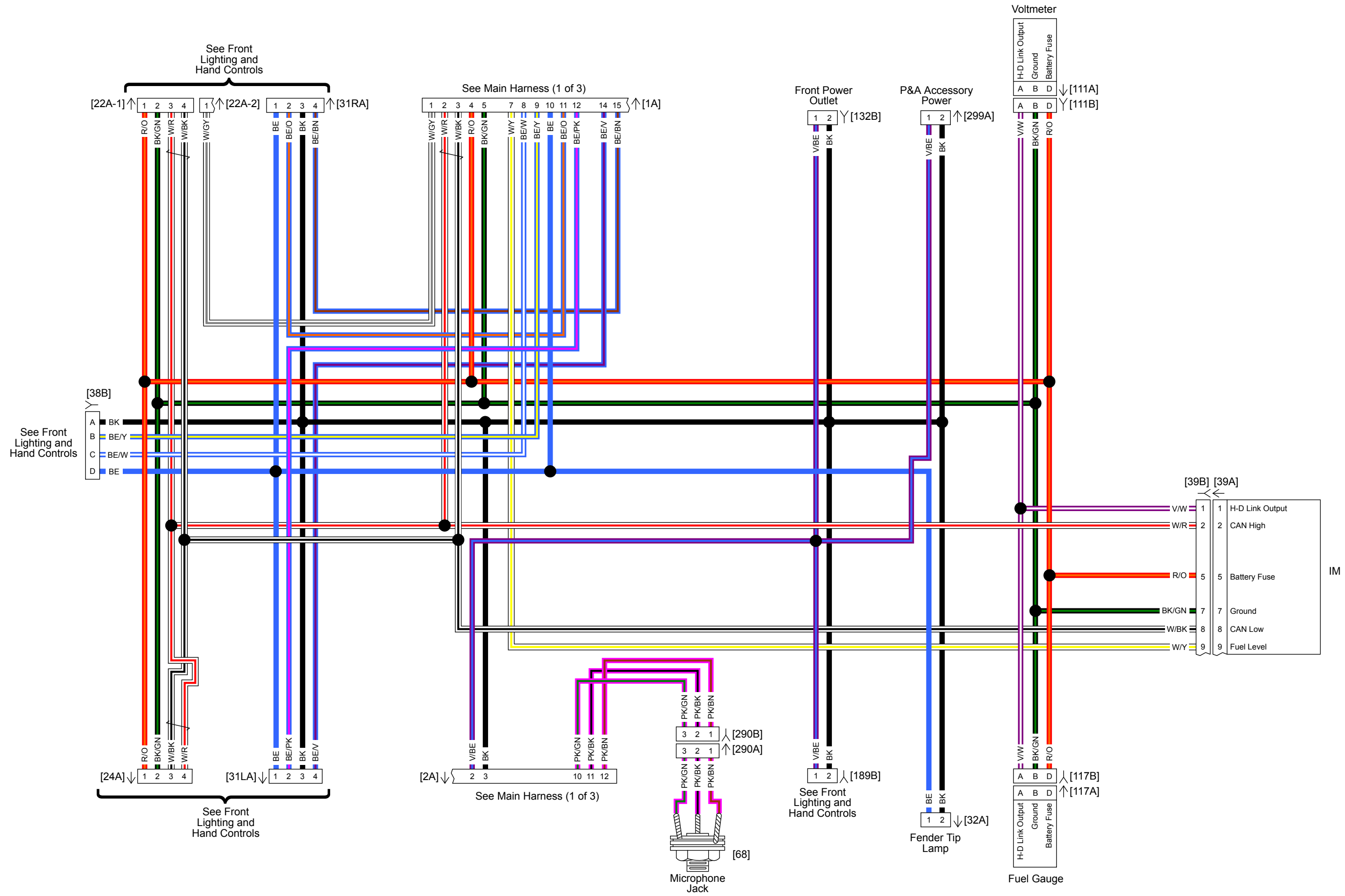
Non-Fairing Model

Fairing Model

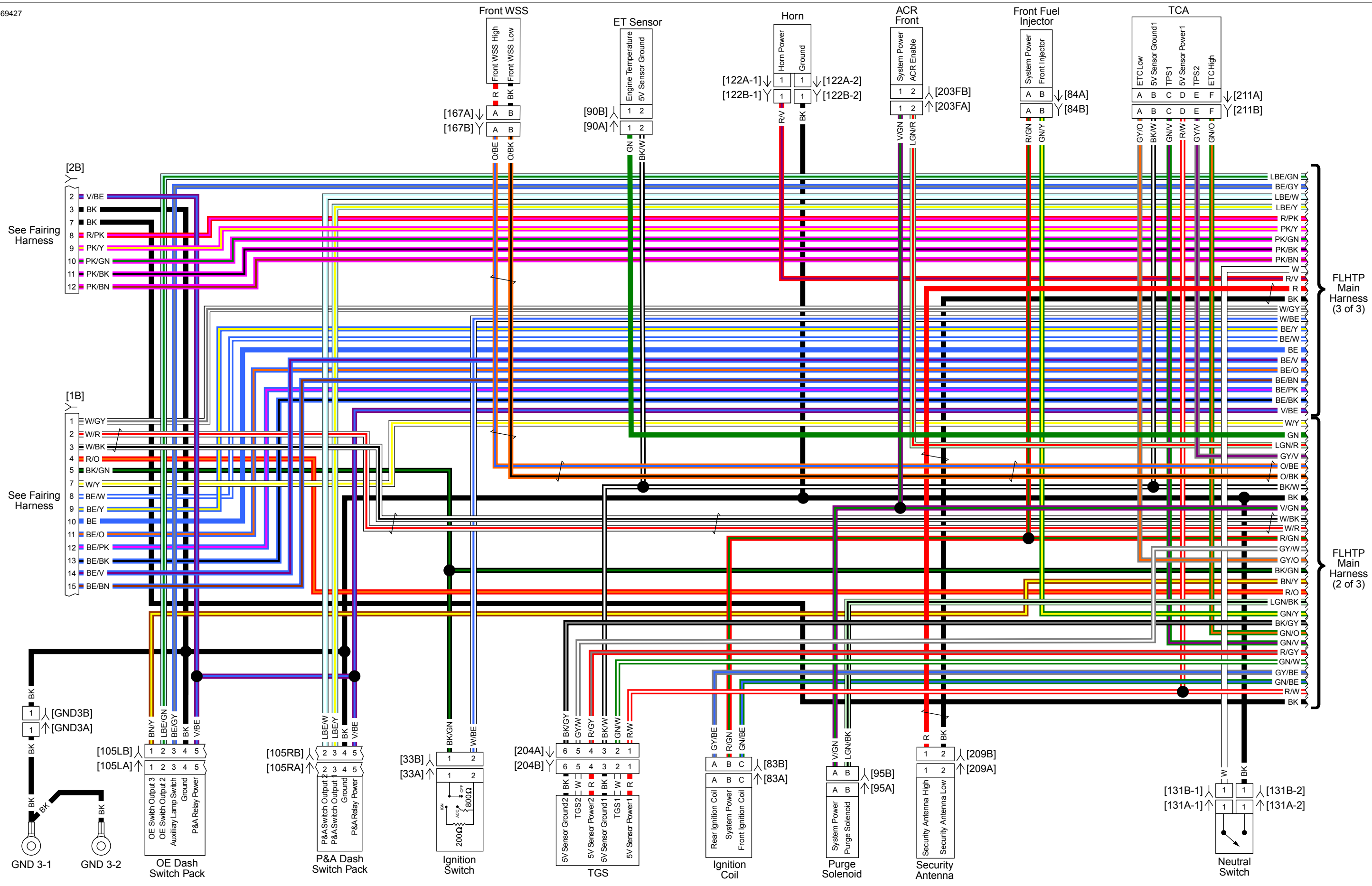


Front Lighting and Hand Controls: Police

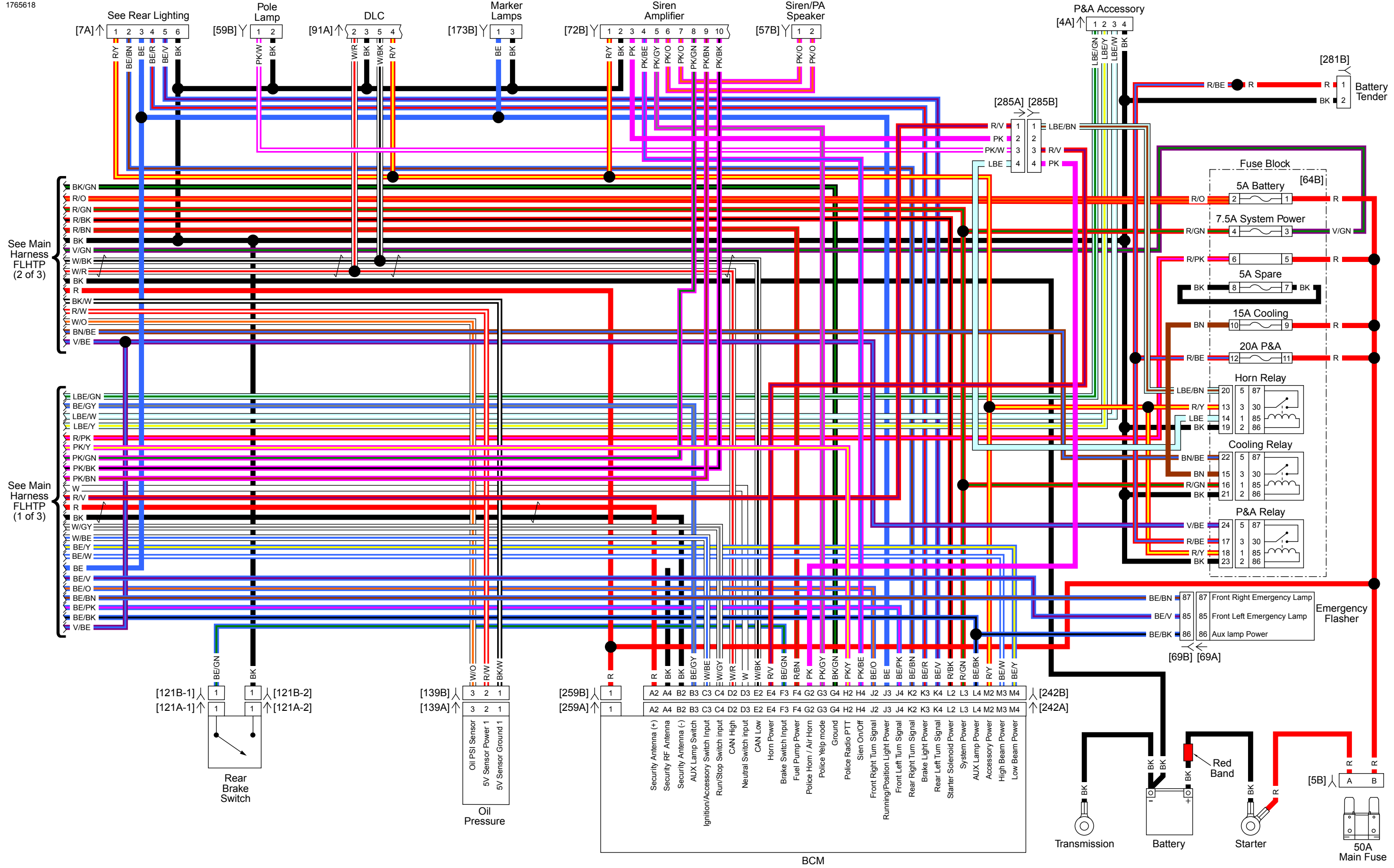




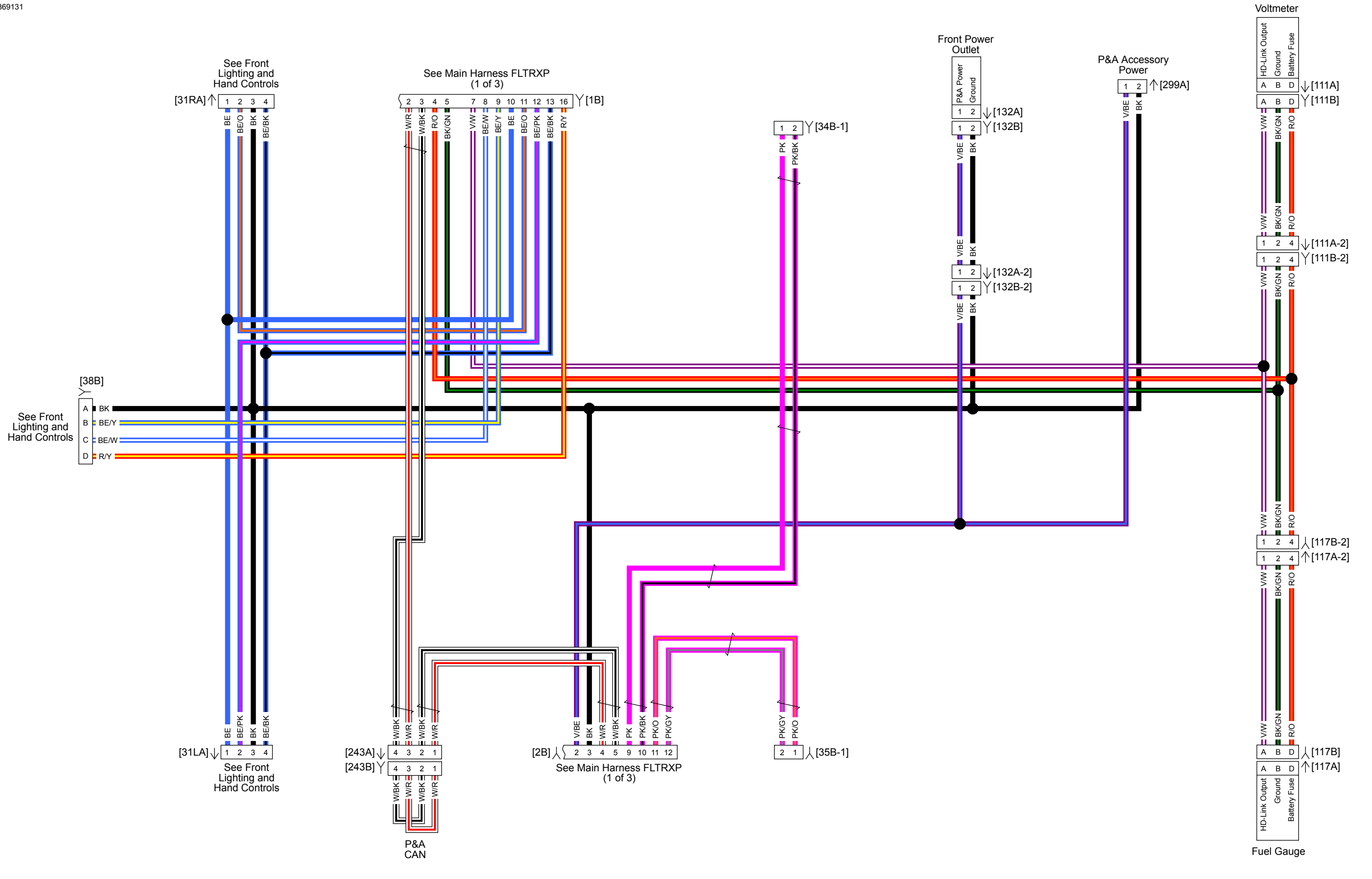
Fairing Harness: FLHTP



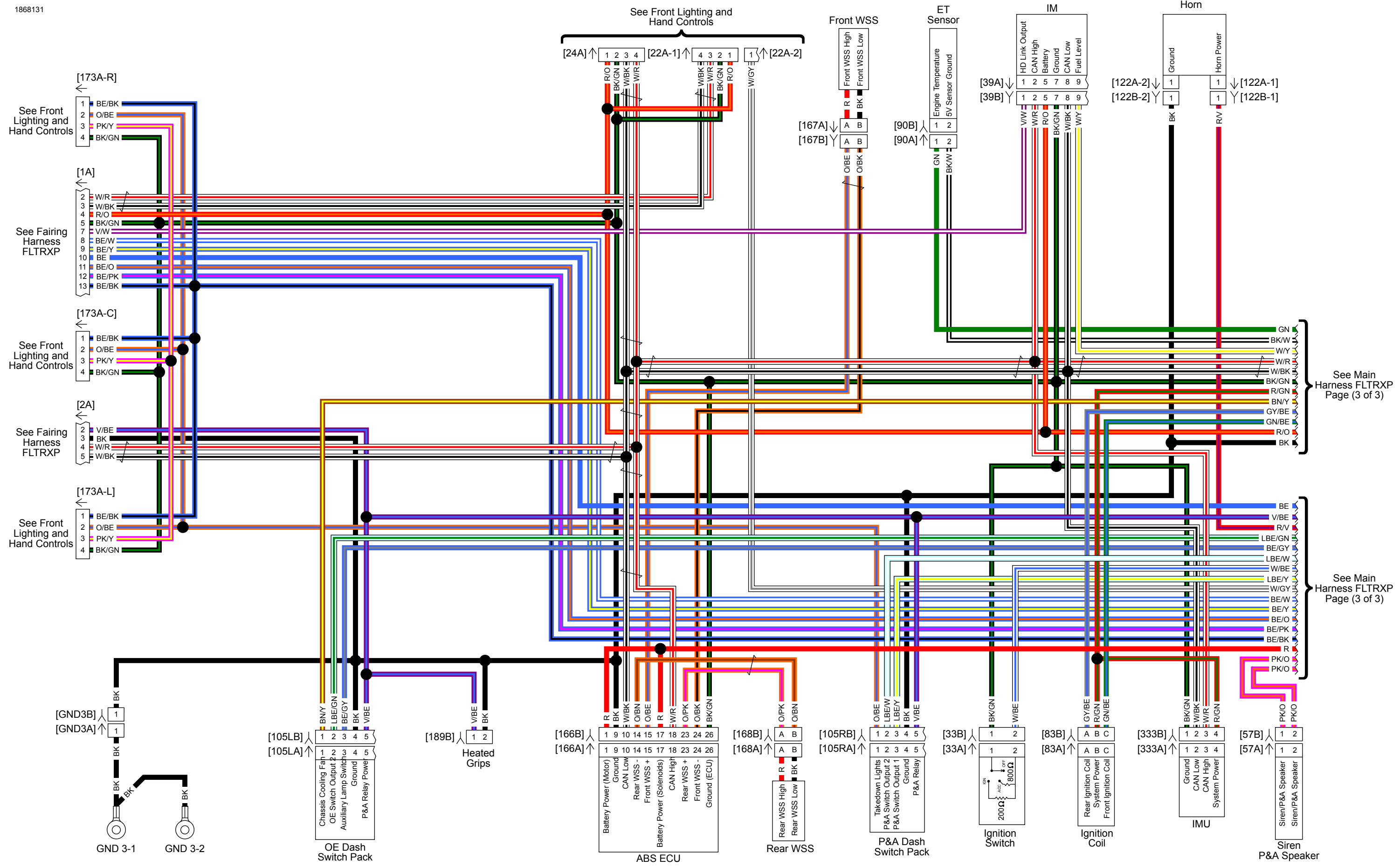
Main Harness (1 of 3): FLHTP



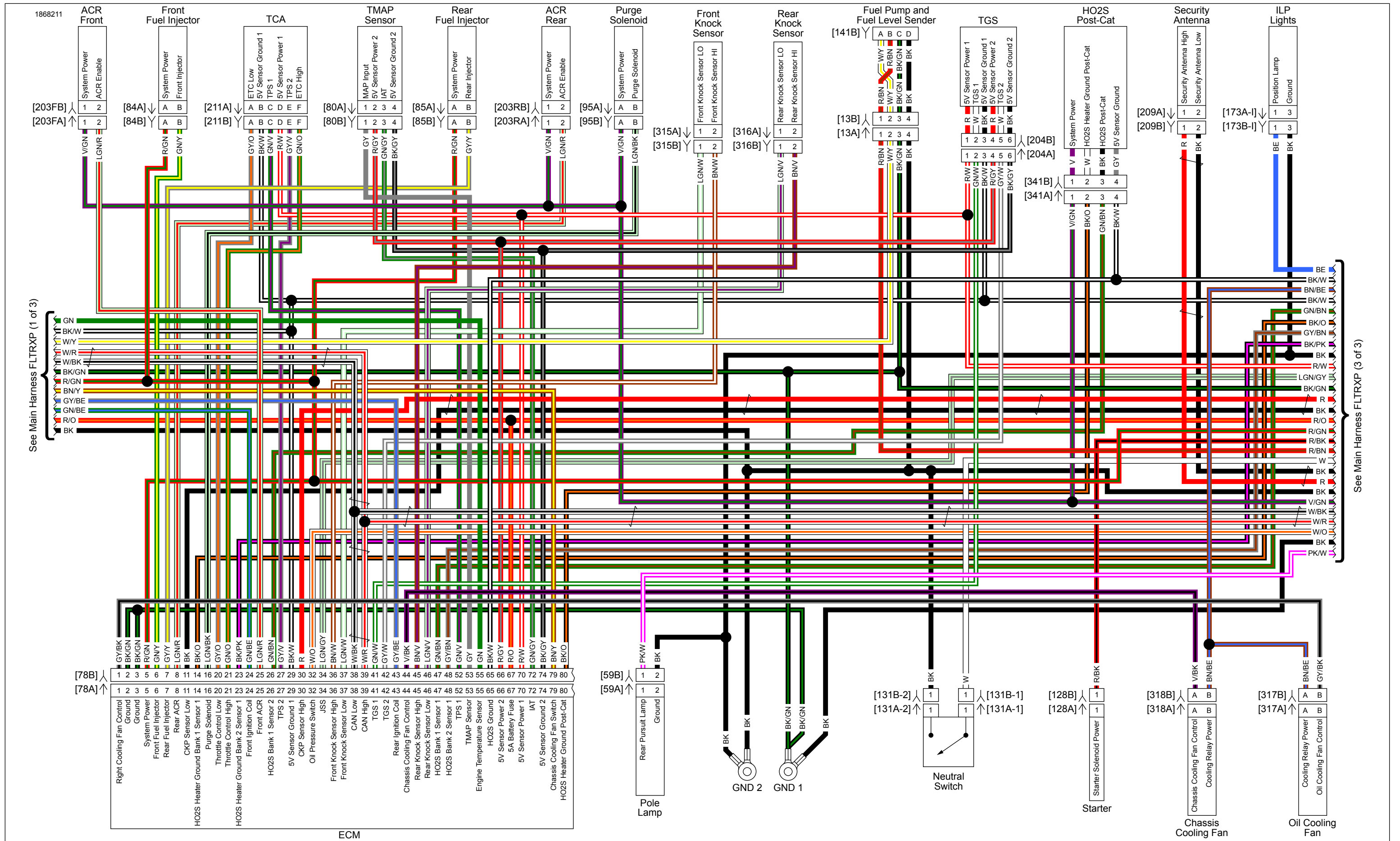
Main Harness (3 of 3): FLHTP



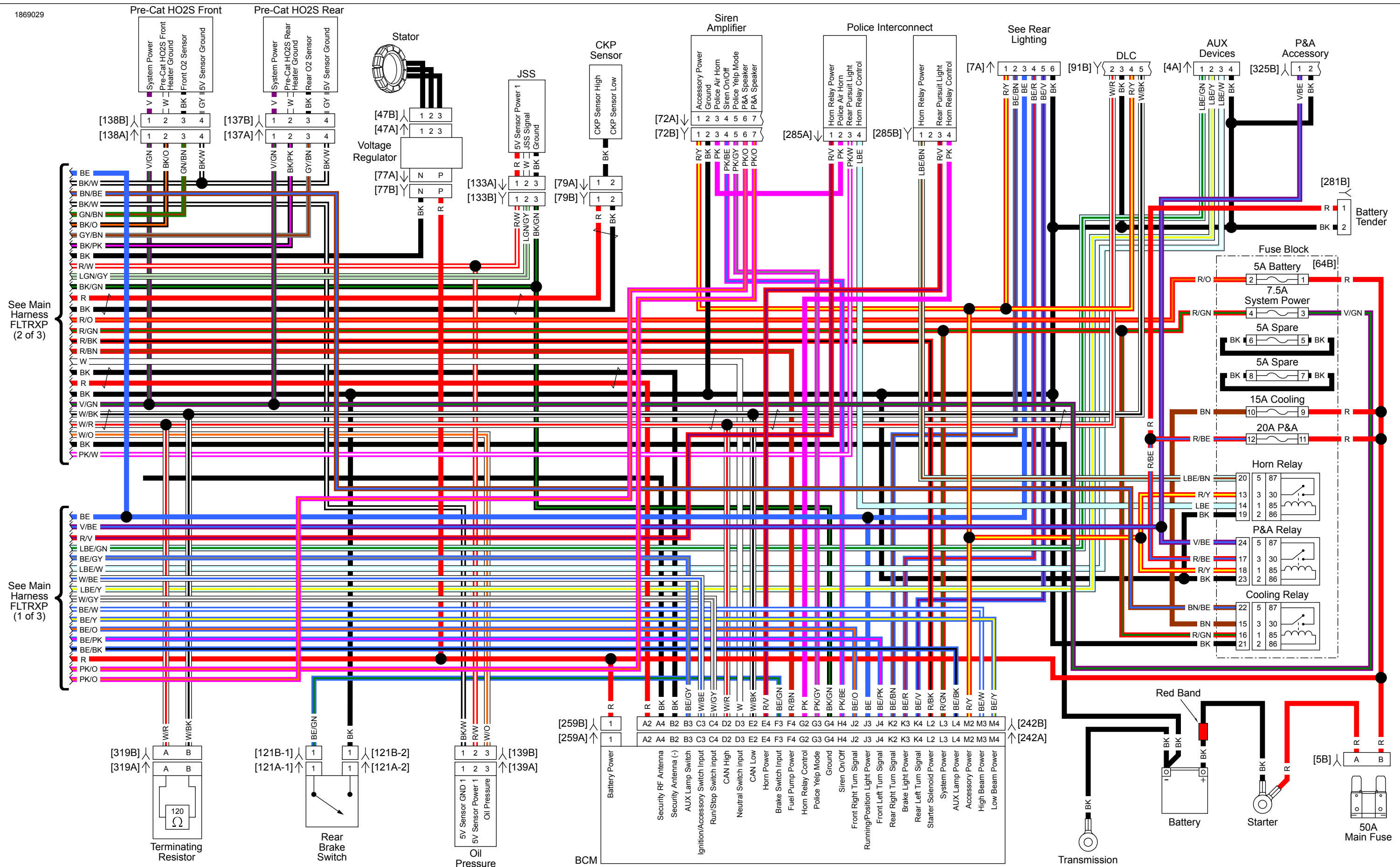
Fairing Harness FLTRXP



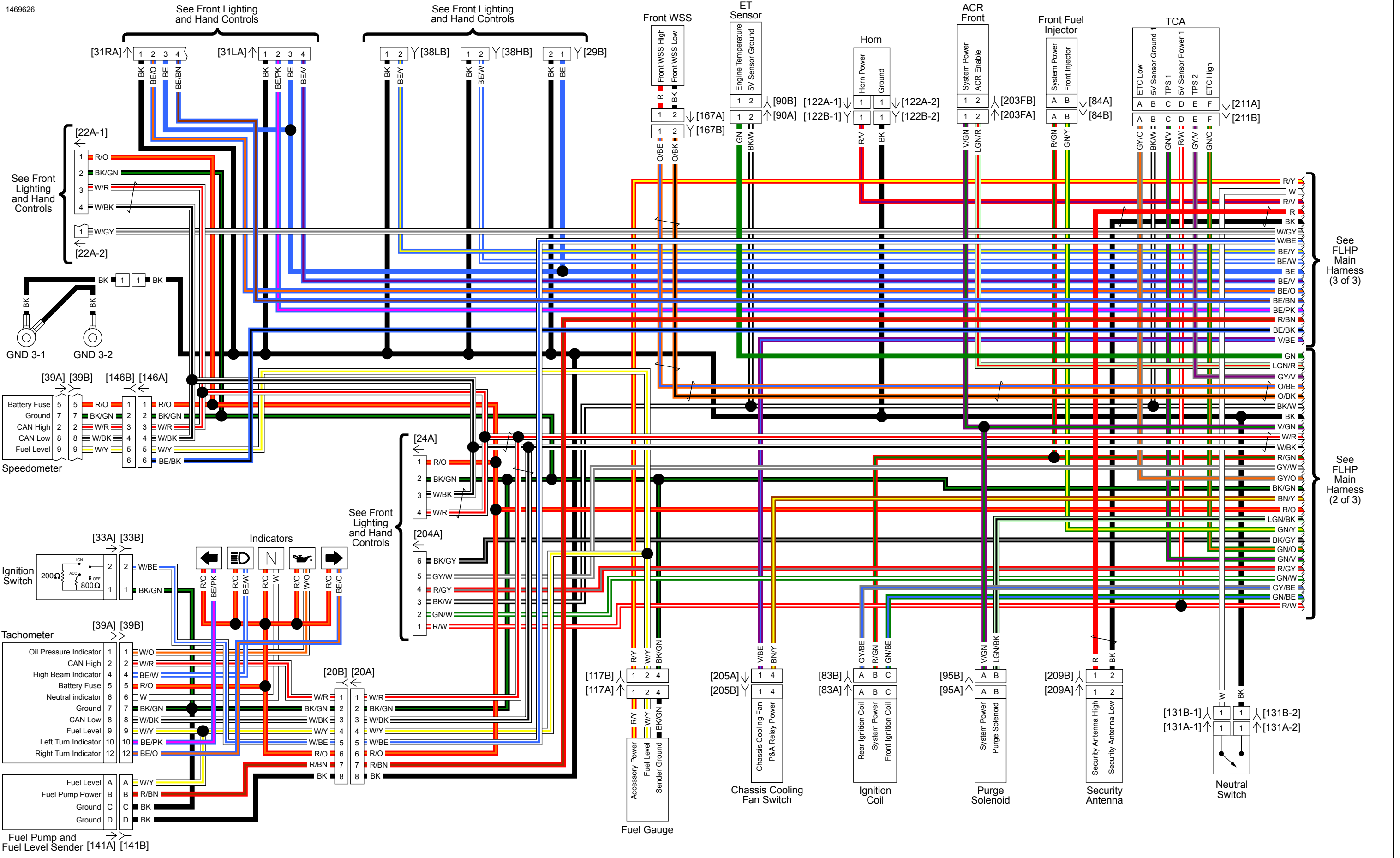
Main Harness (1 of 3): FLTRXP



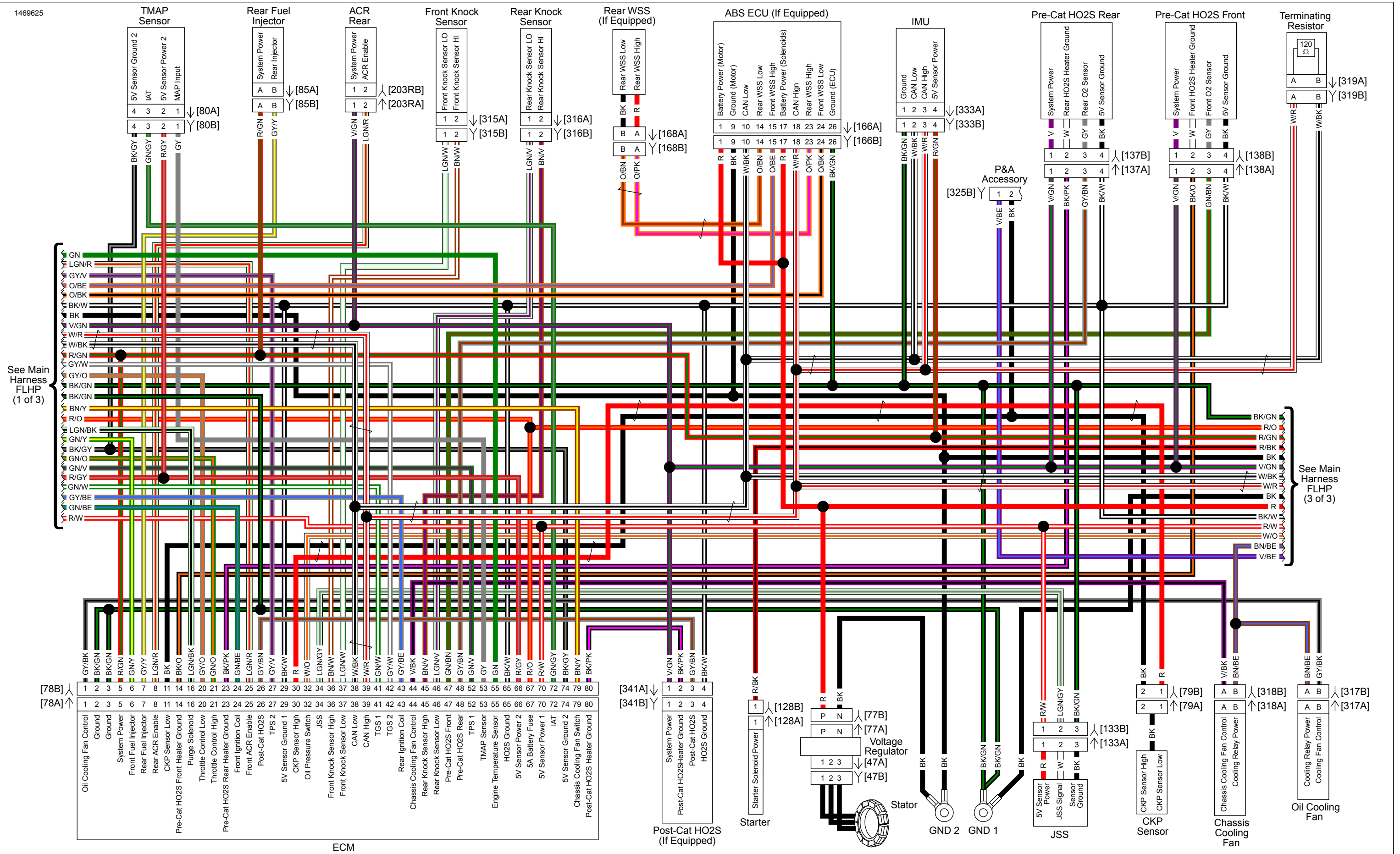
Main Harness (2 of 3): FLTRXP



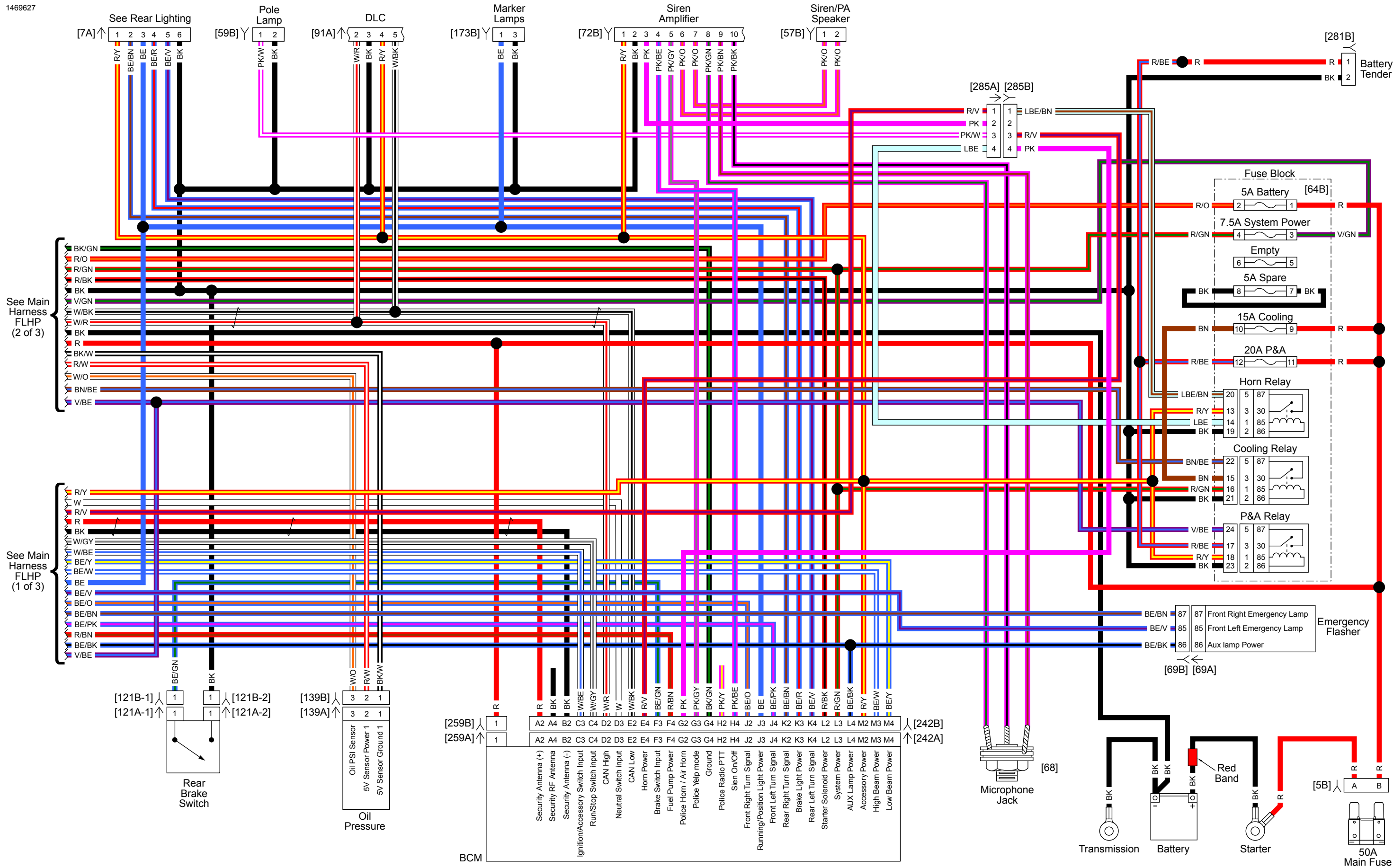
Main Harness (3 of 3): FLTRXP



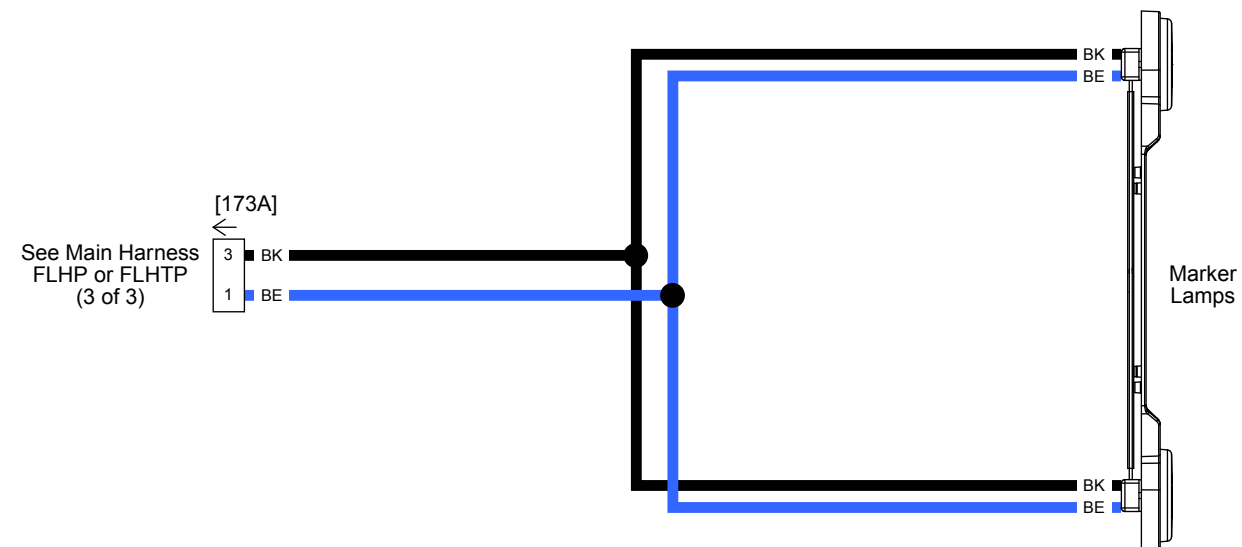
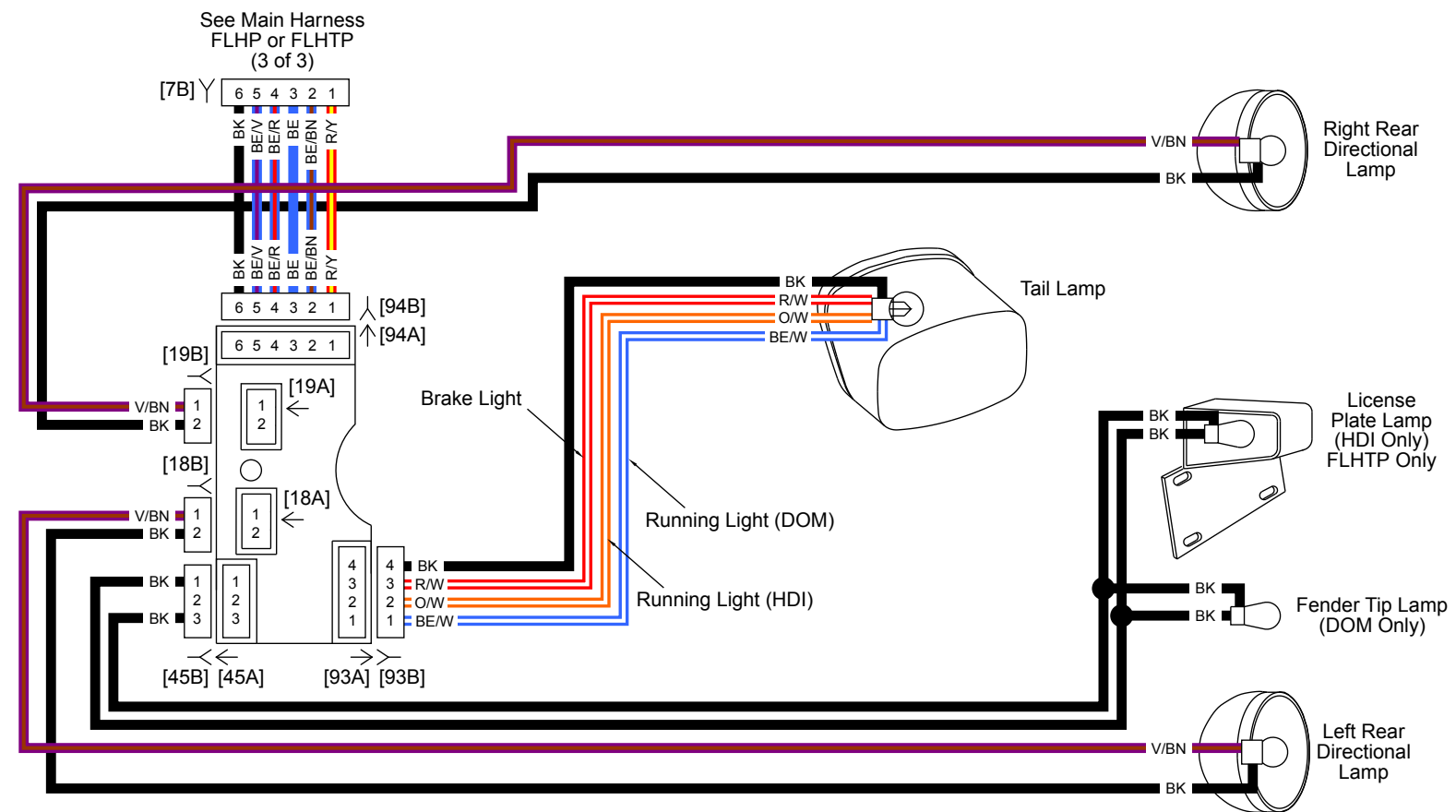
Main Harness (1 of 3): FLHP



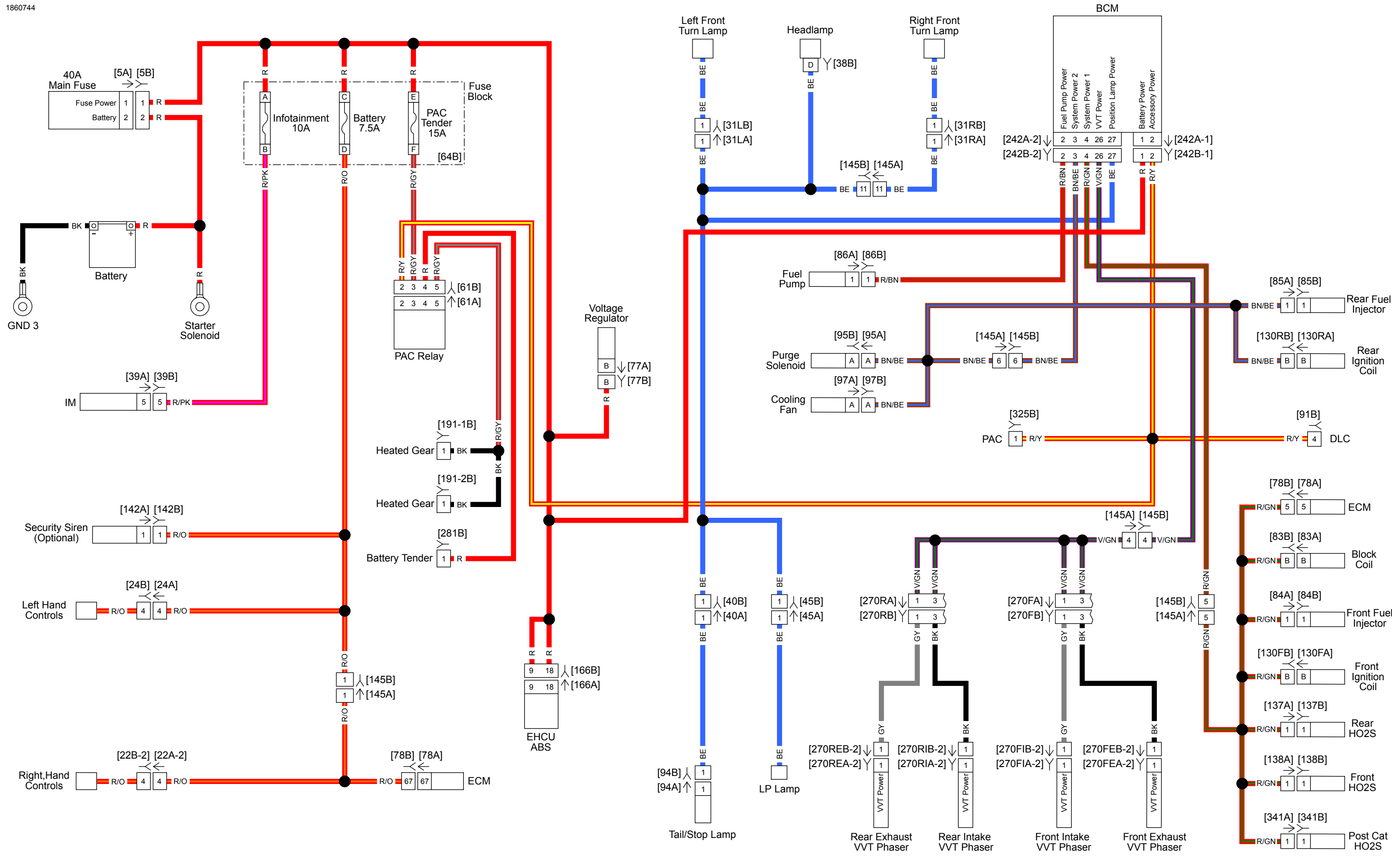
Main Harness (2 of 3): FLHP



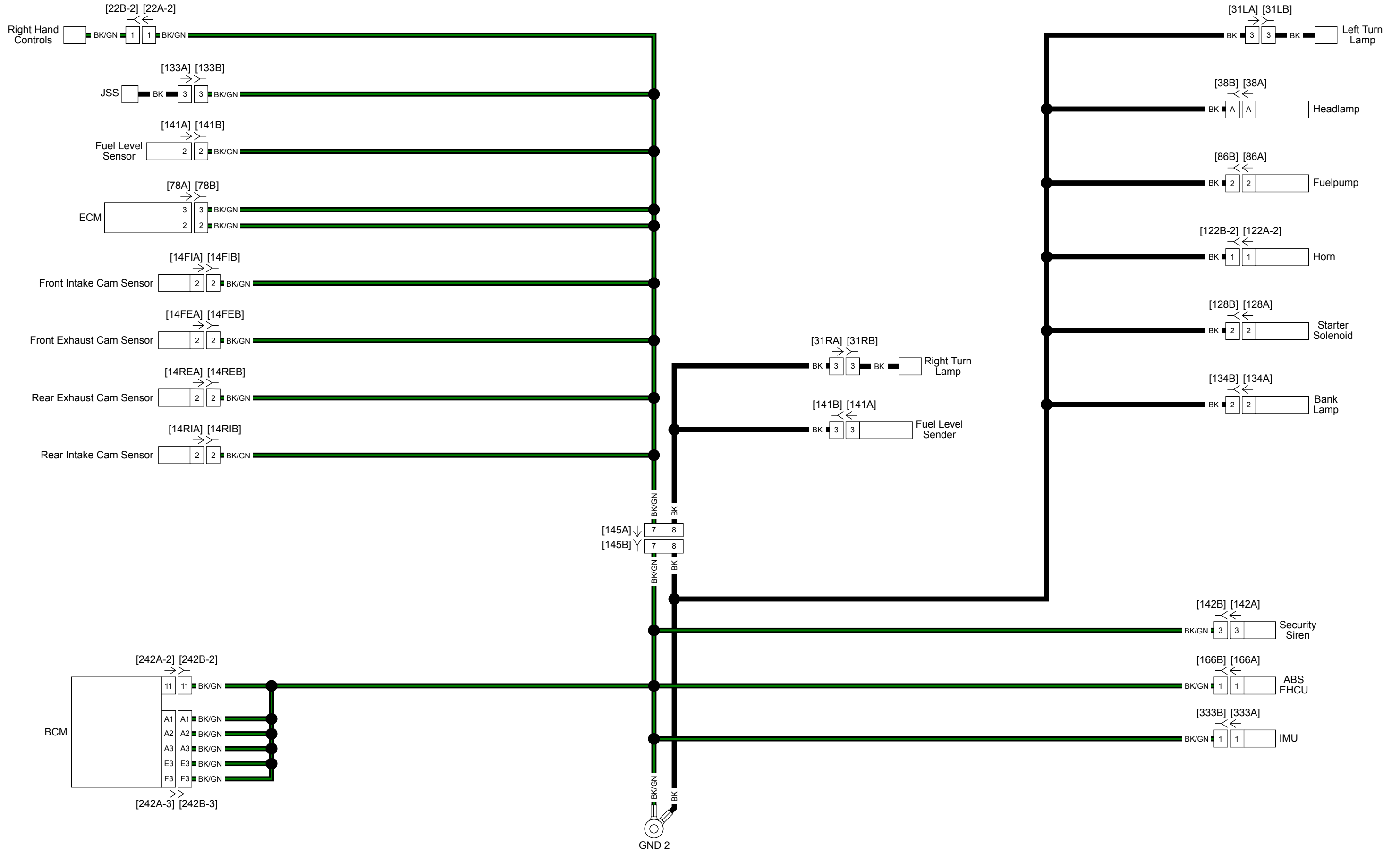
Main Harness (3 of 3): FLHP



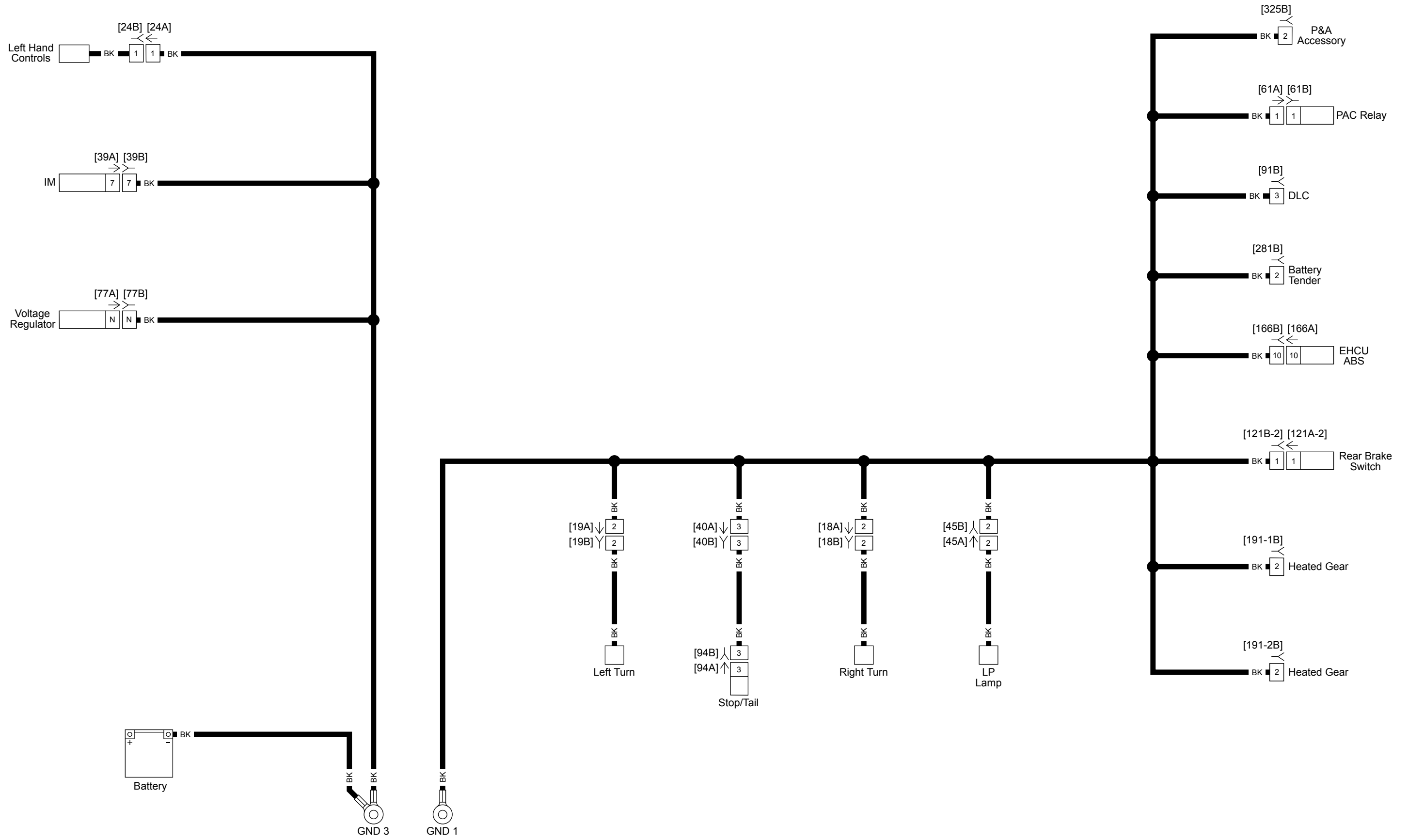
Rear Lighting: Police



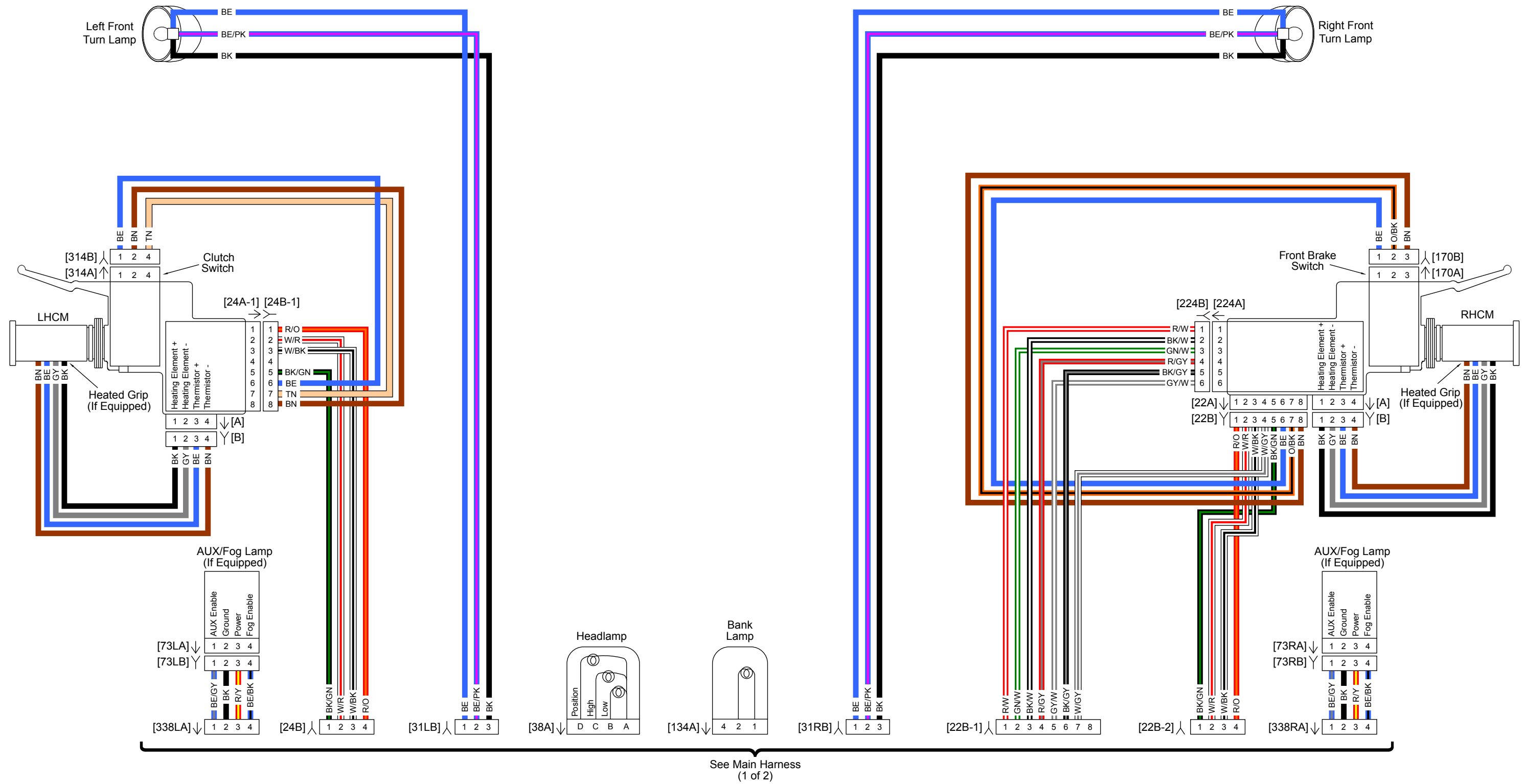
Power Distribution



Sensor Grounds



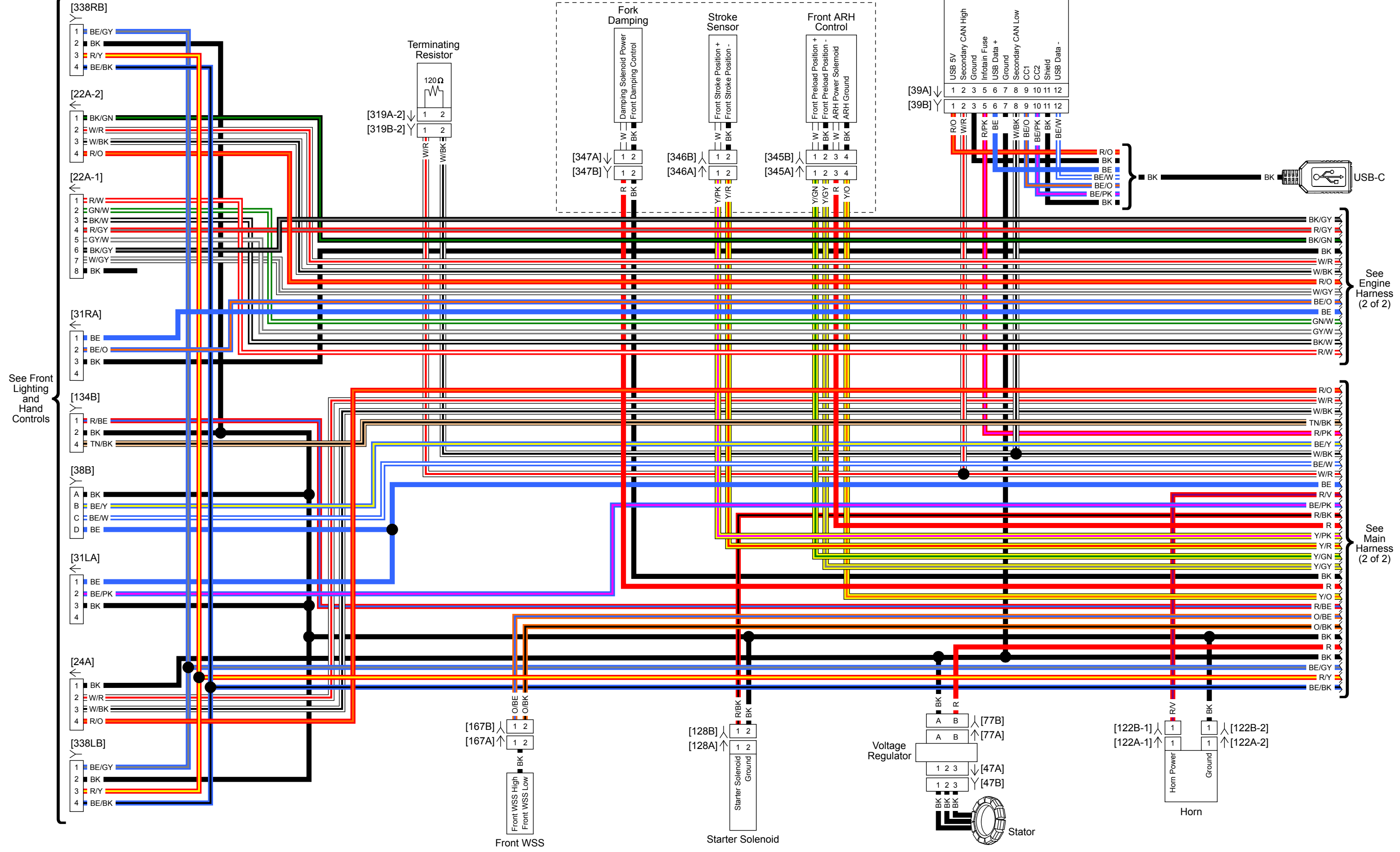
Ground Circuit



Front Lighting and Hand Controls

ARH-Electric Suspension Only

Instrument

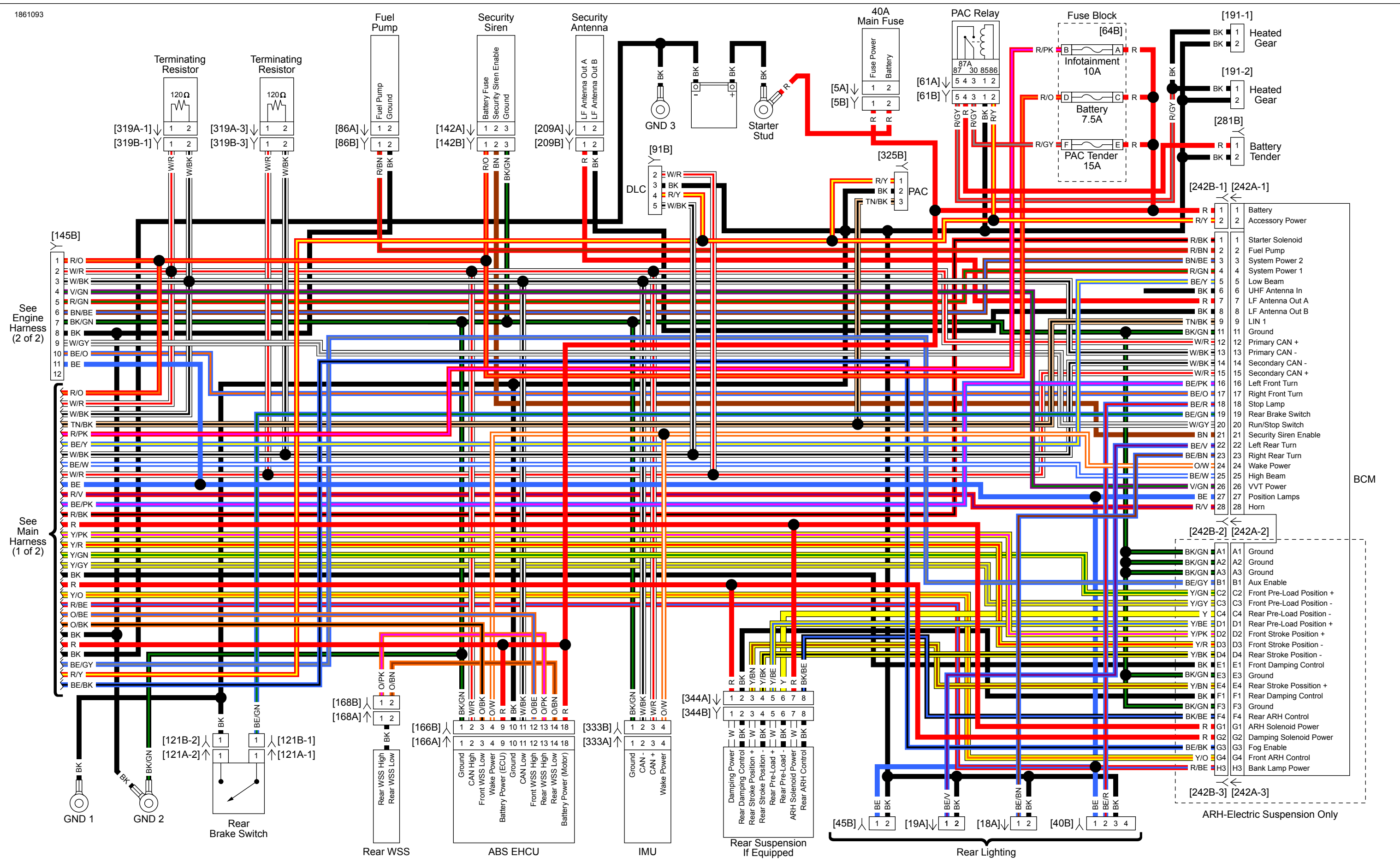


See Front Lighting and Hand Controls

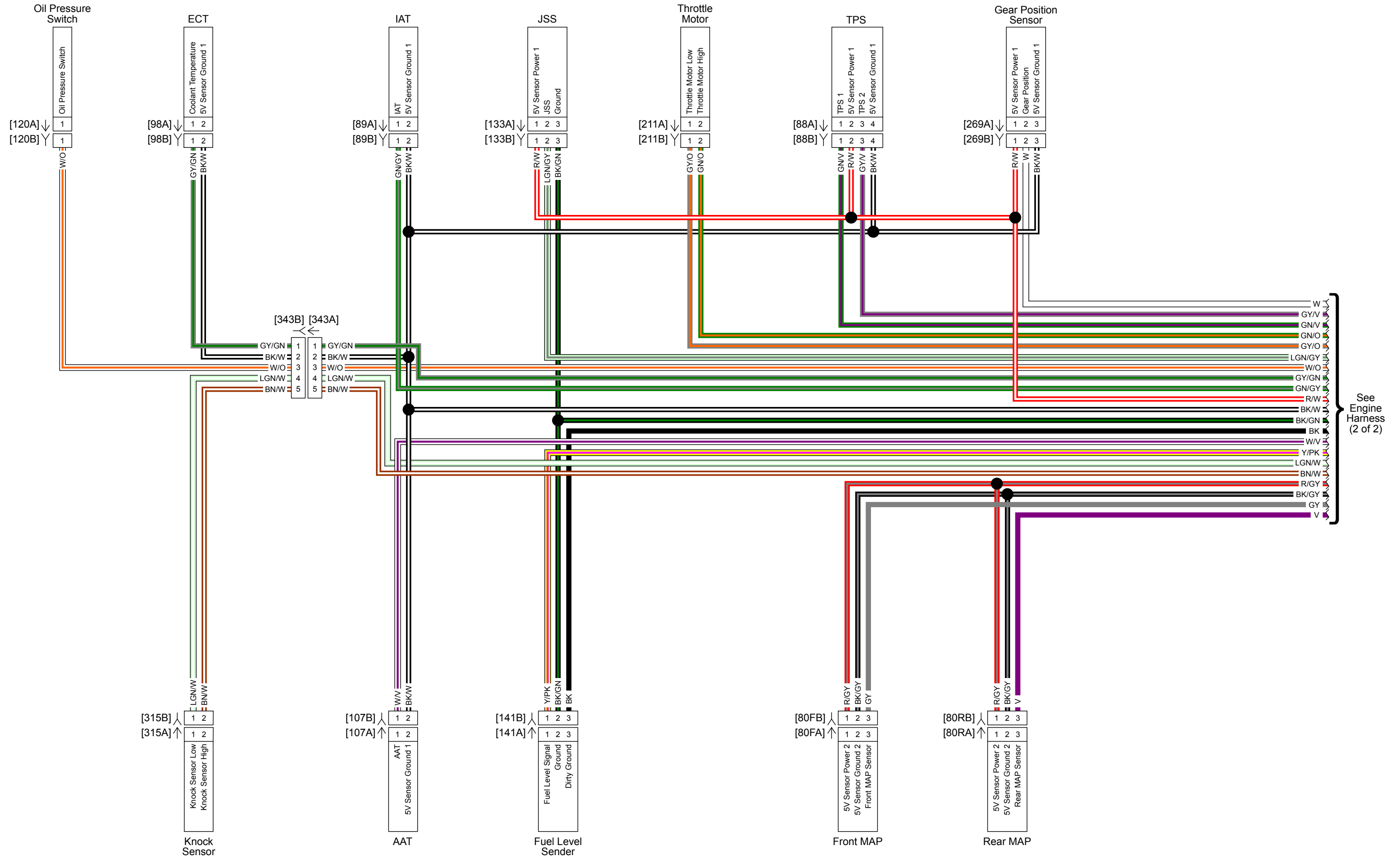
See Engine Harness (2 of 2)

See Main Harness (2 of 2)

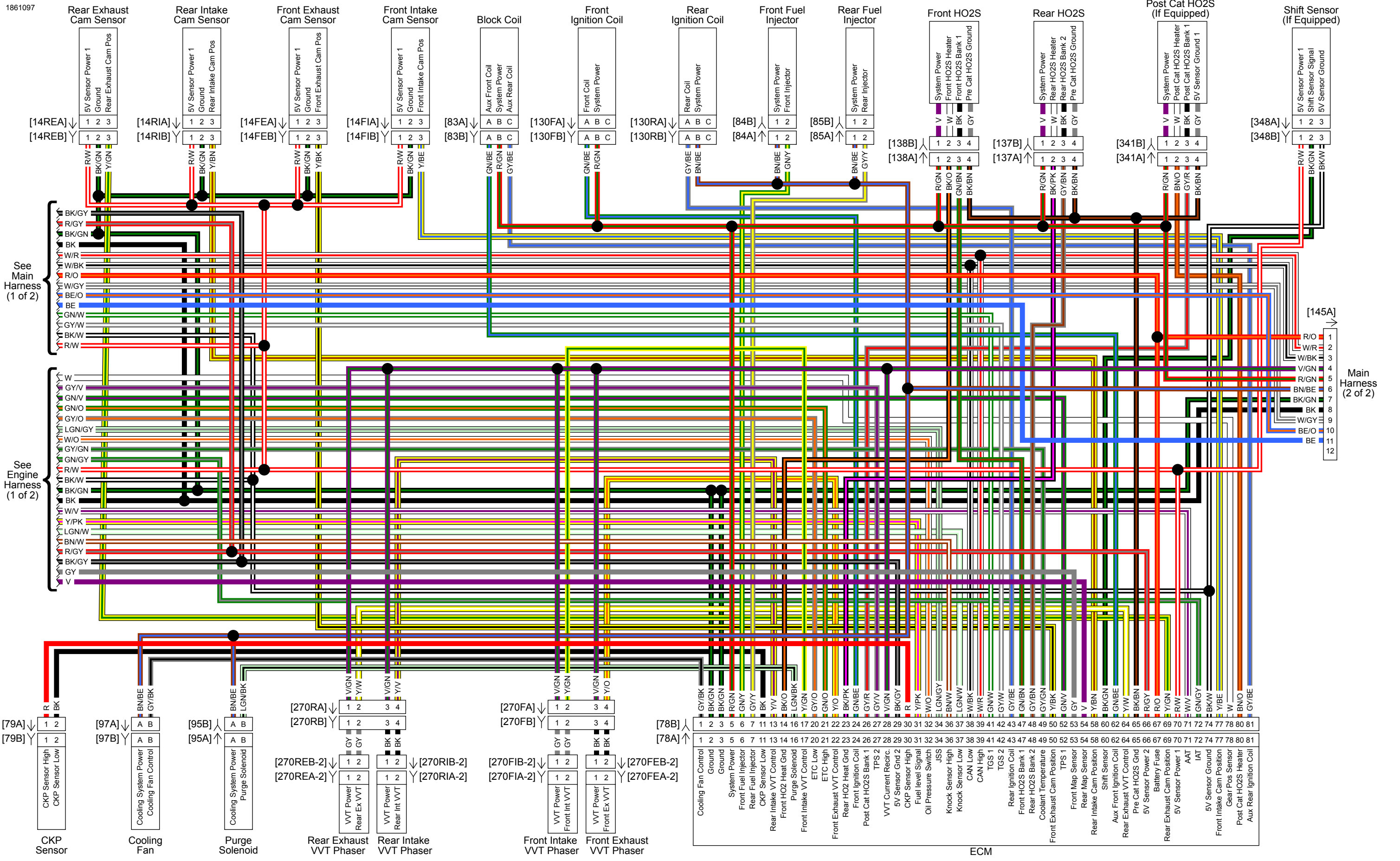
Main Harness 1 of 2



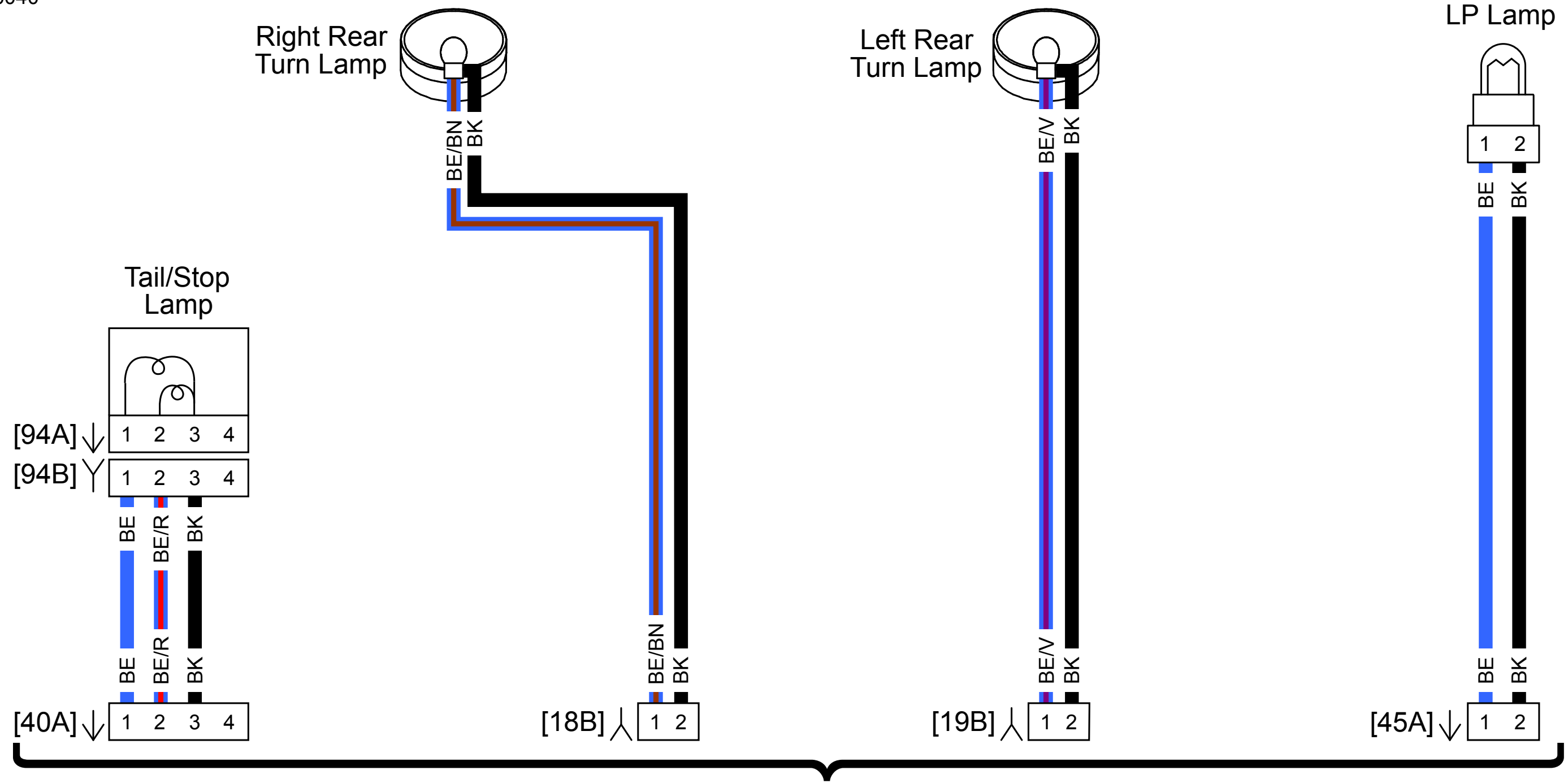
Main Harness 2 of 2



Engine Harness 1 of 2

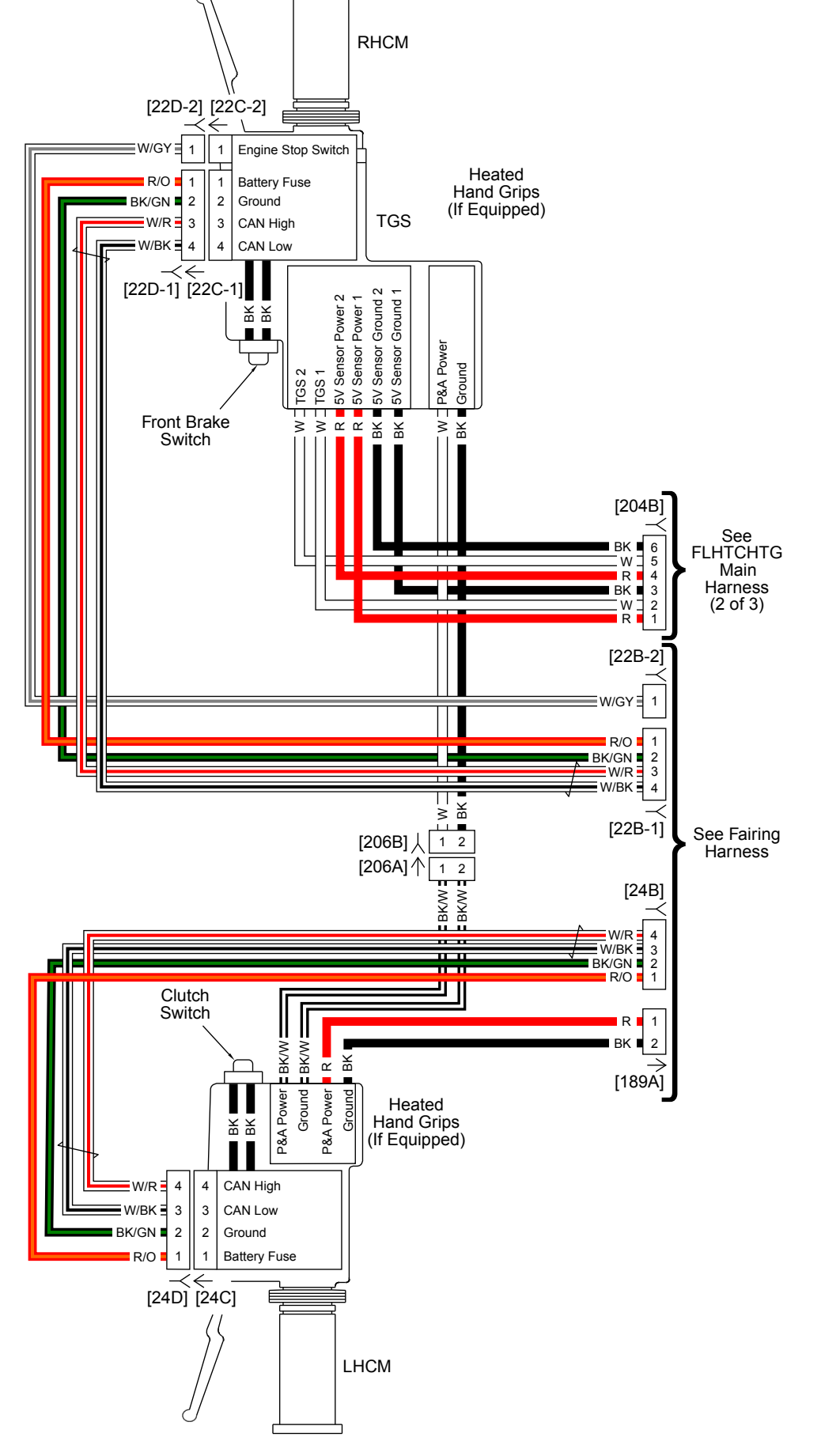
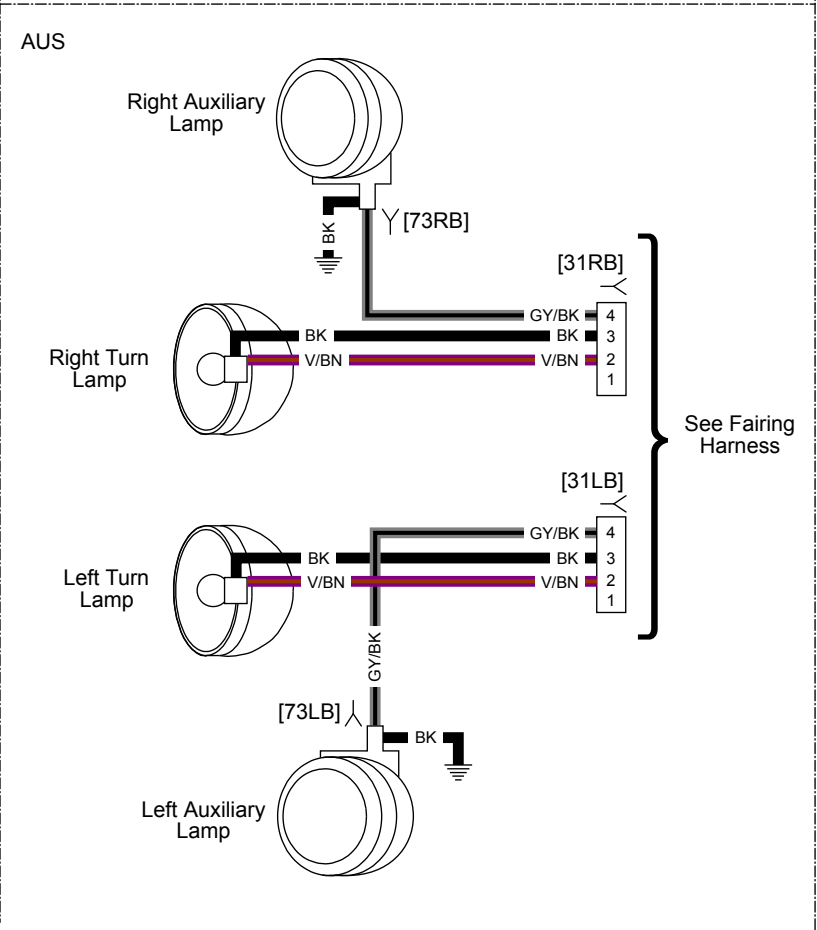
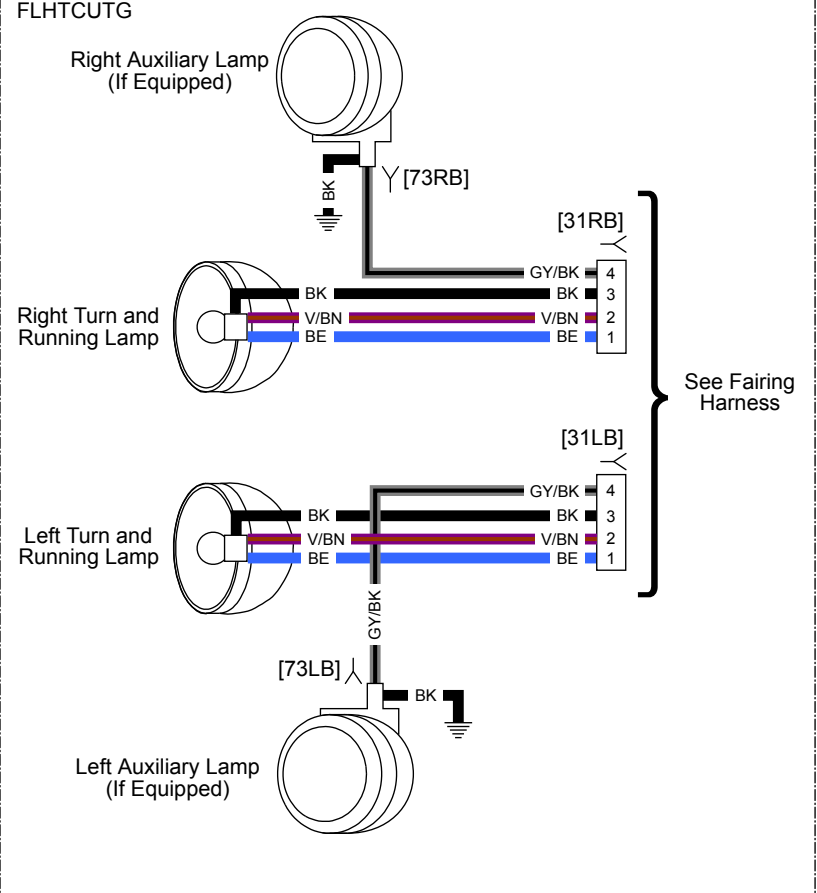
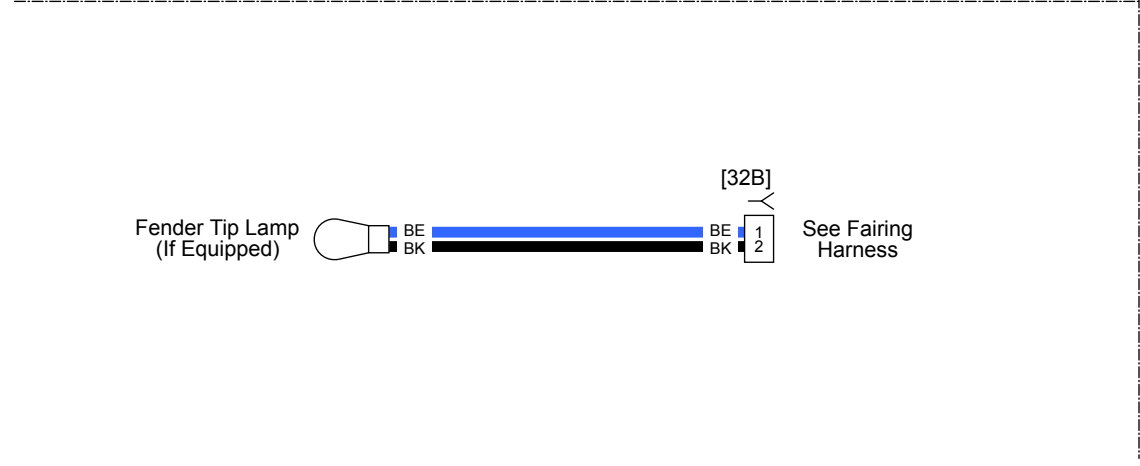
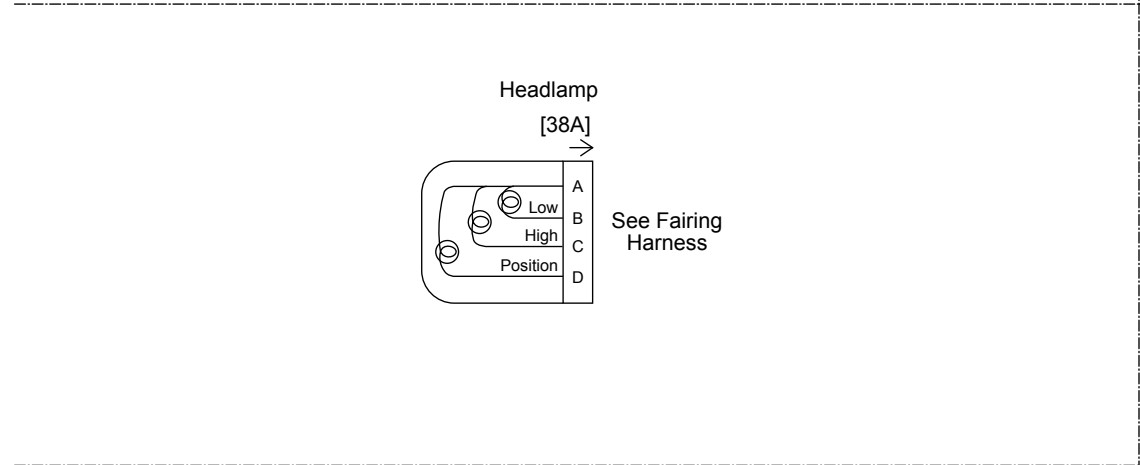
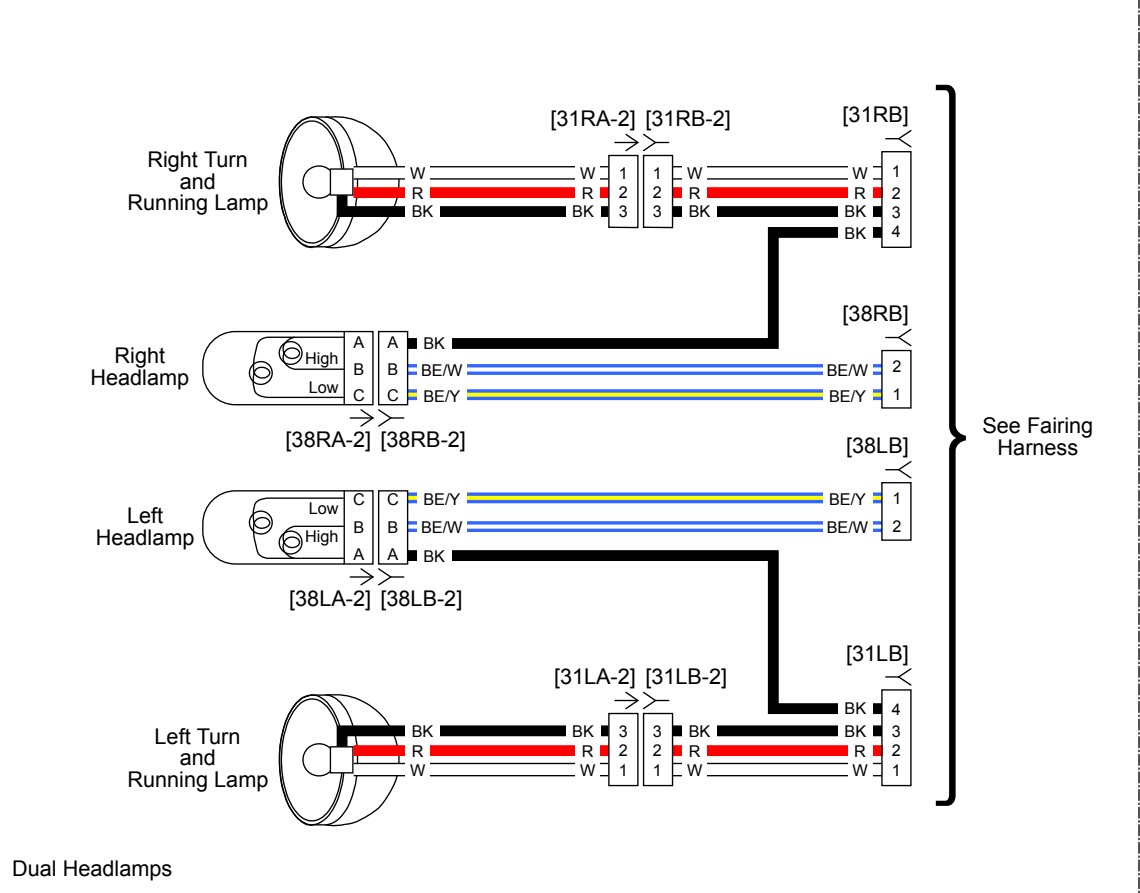


Engine Harness 2 of 2



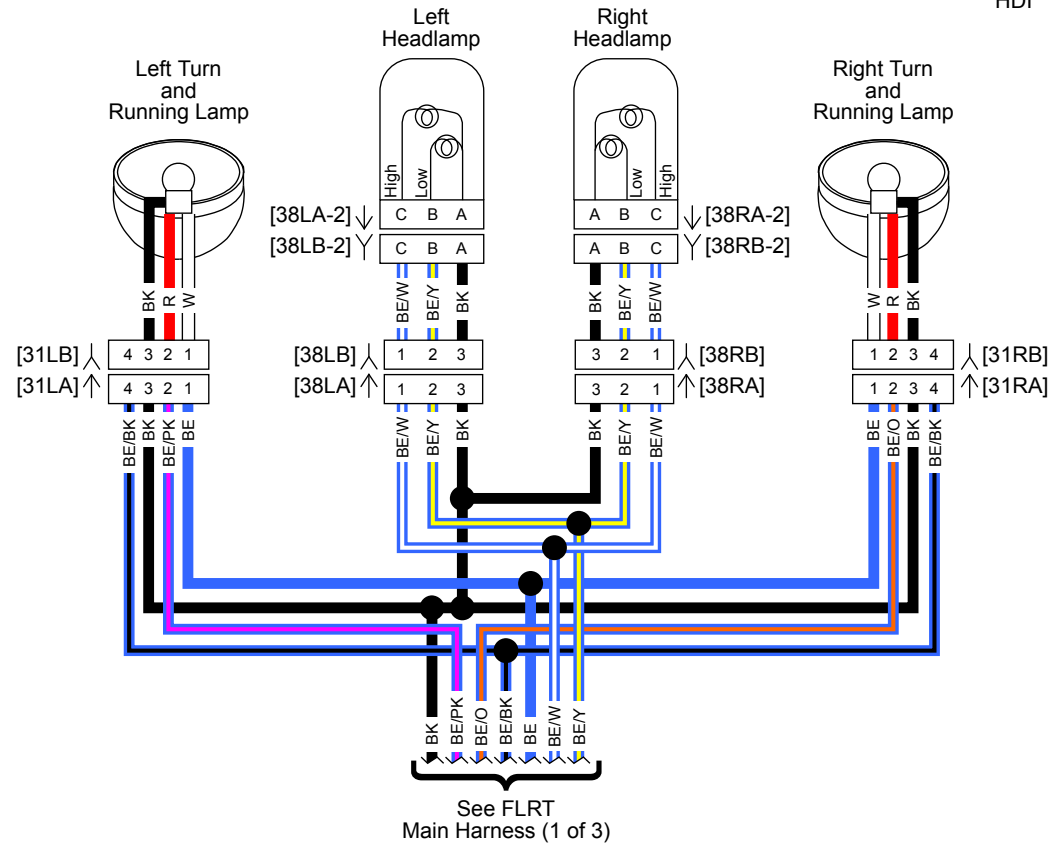
See Main Harness
(2 of 2)

Rear Lighting

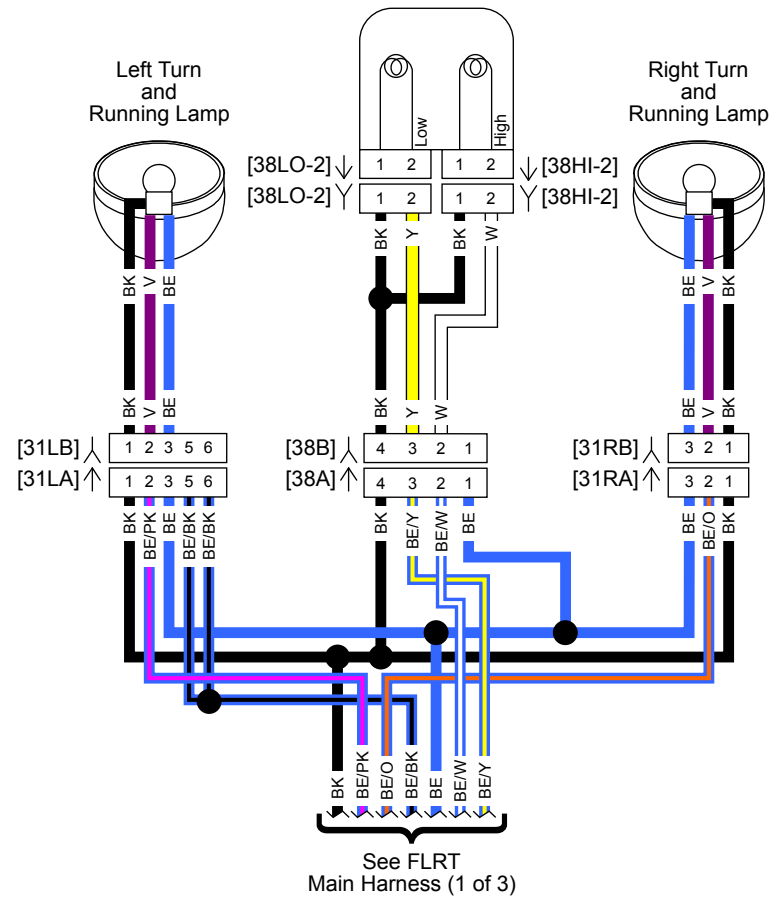


Front Lighting and Hand Controls FLHTCUTG: Trike Model

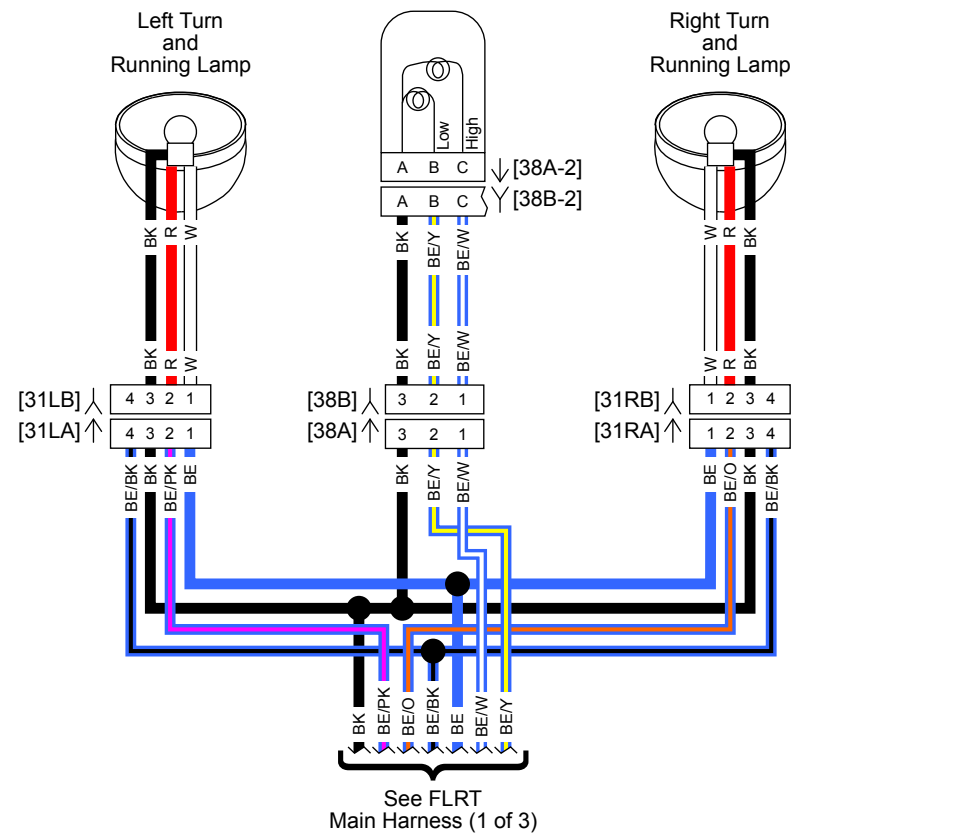
FLRT
ENG
HDI



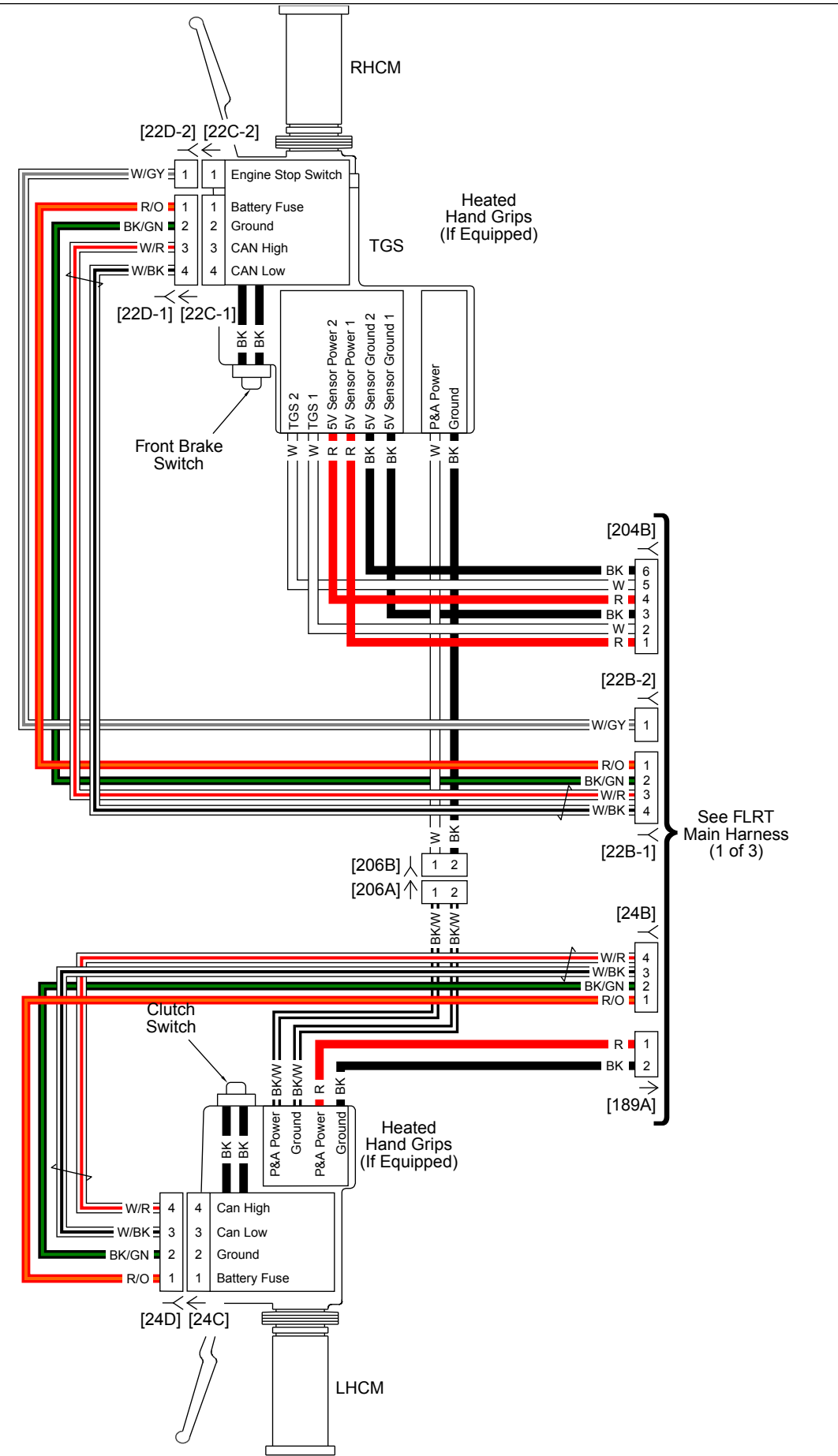
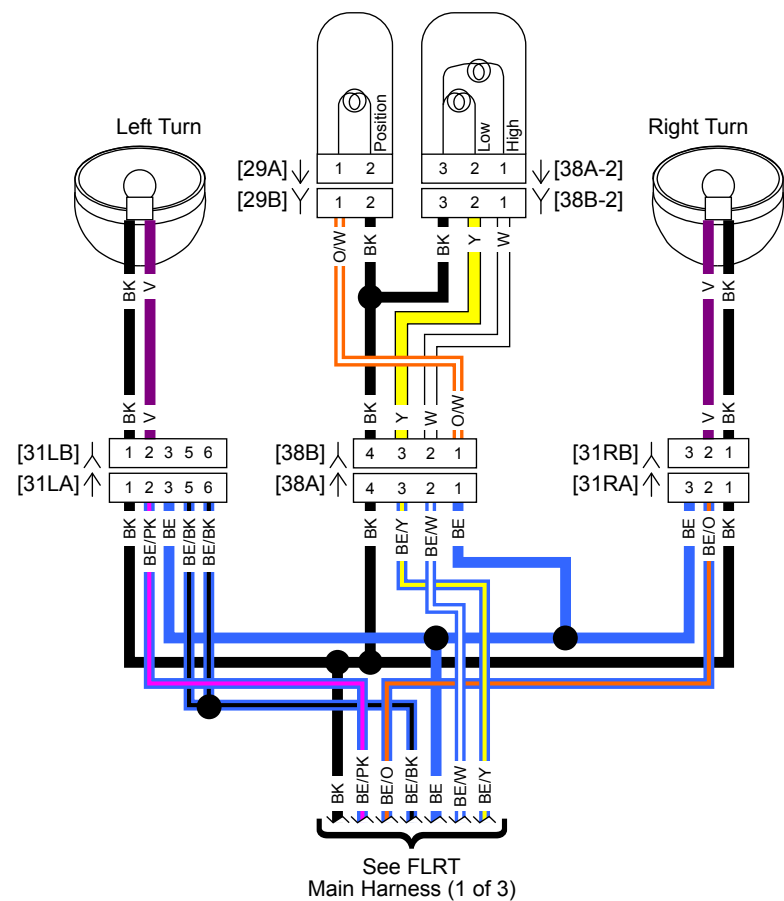
FLRT
CAI
CAN
DOM



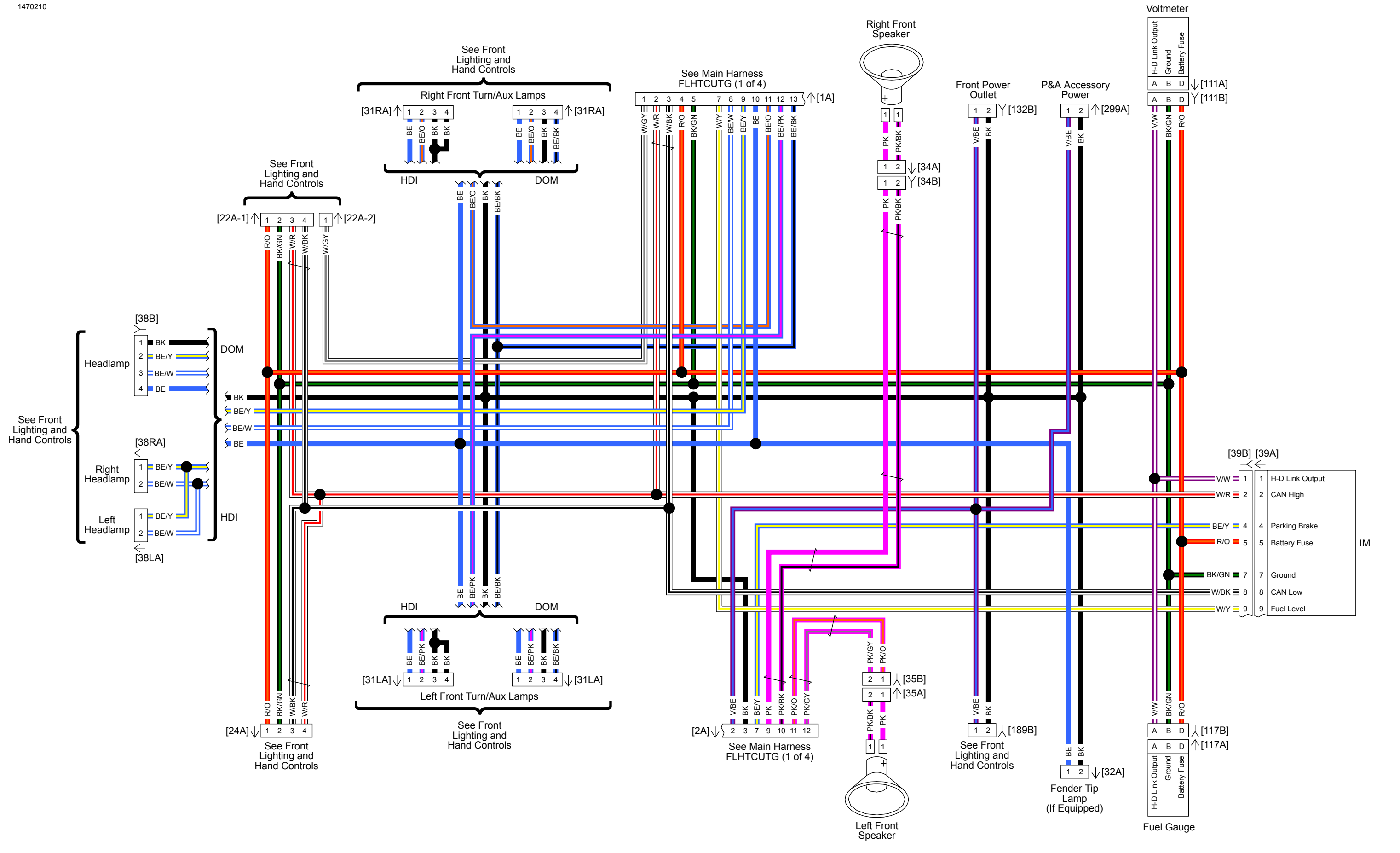
FLRT
Japan



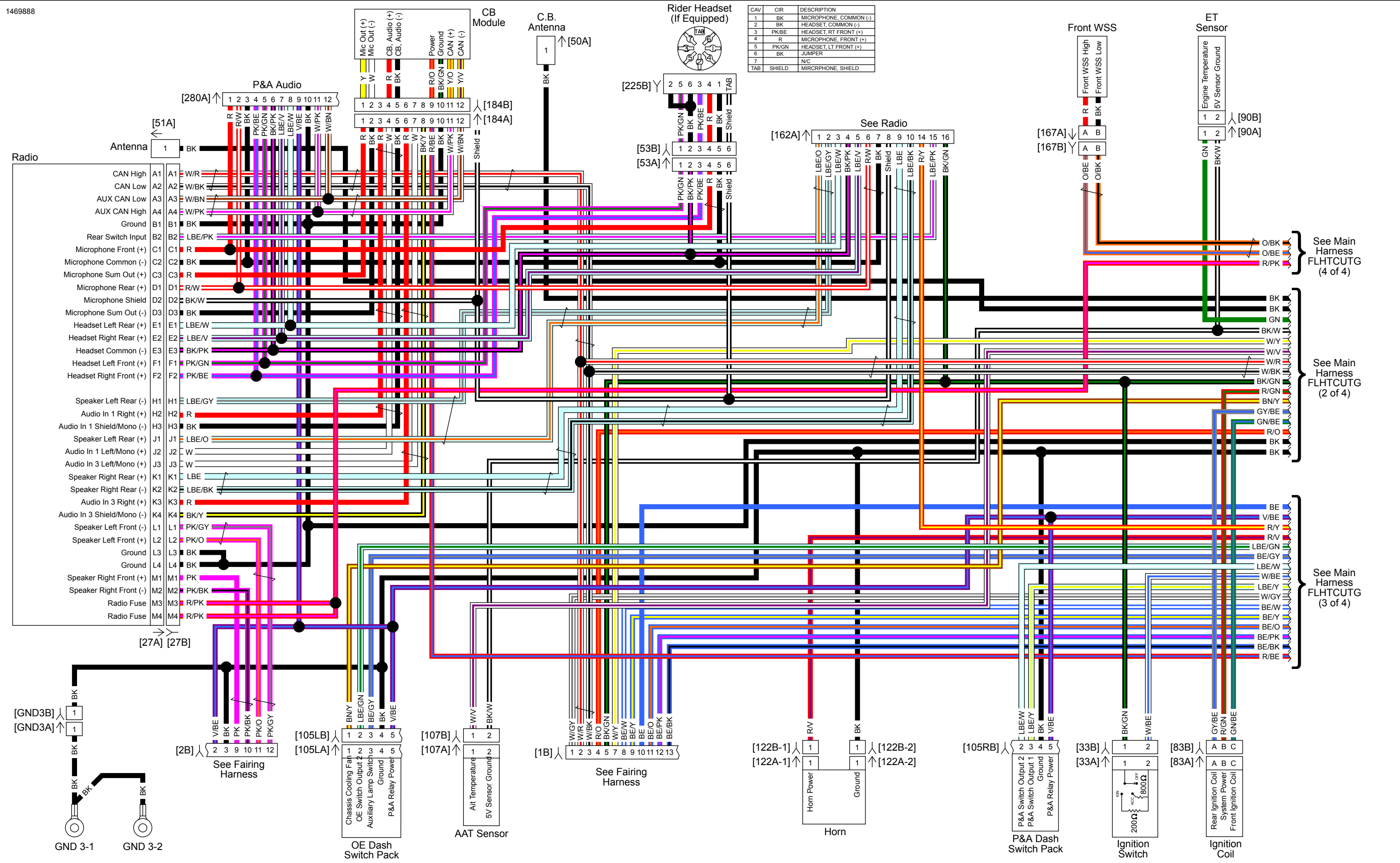
FLRT
AUS



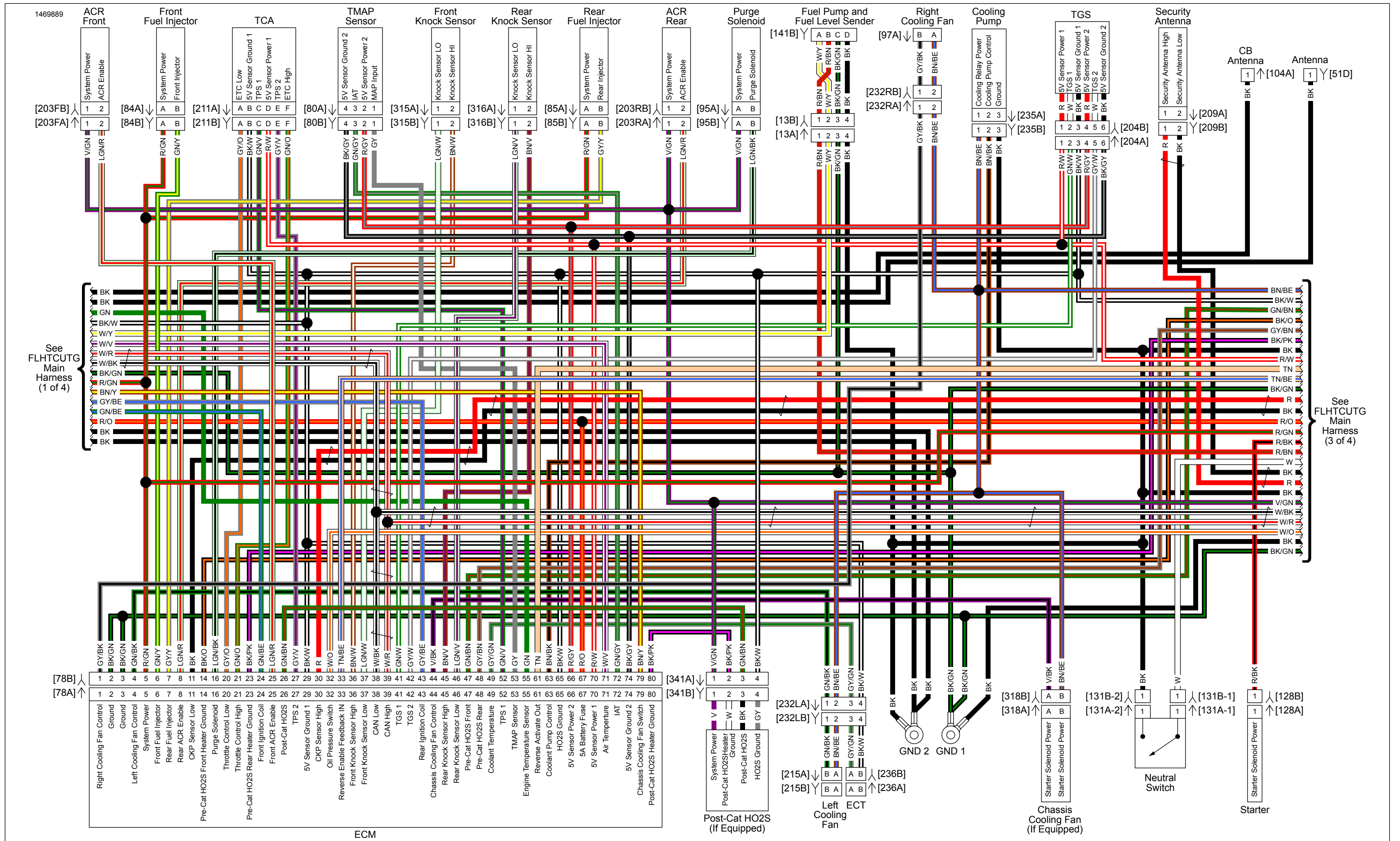
Front Lighting and Hand Controls FLRT: Trike Model

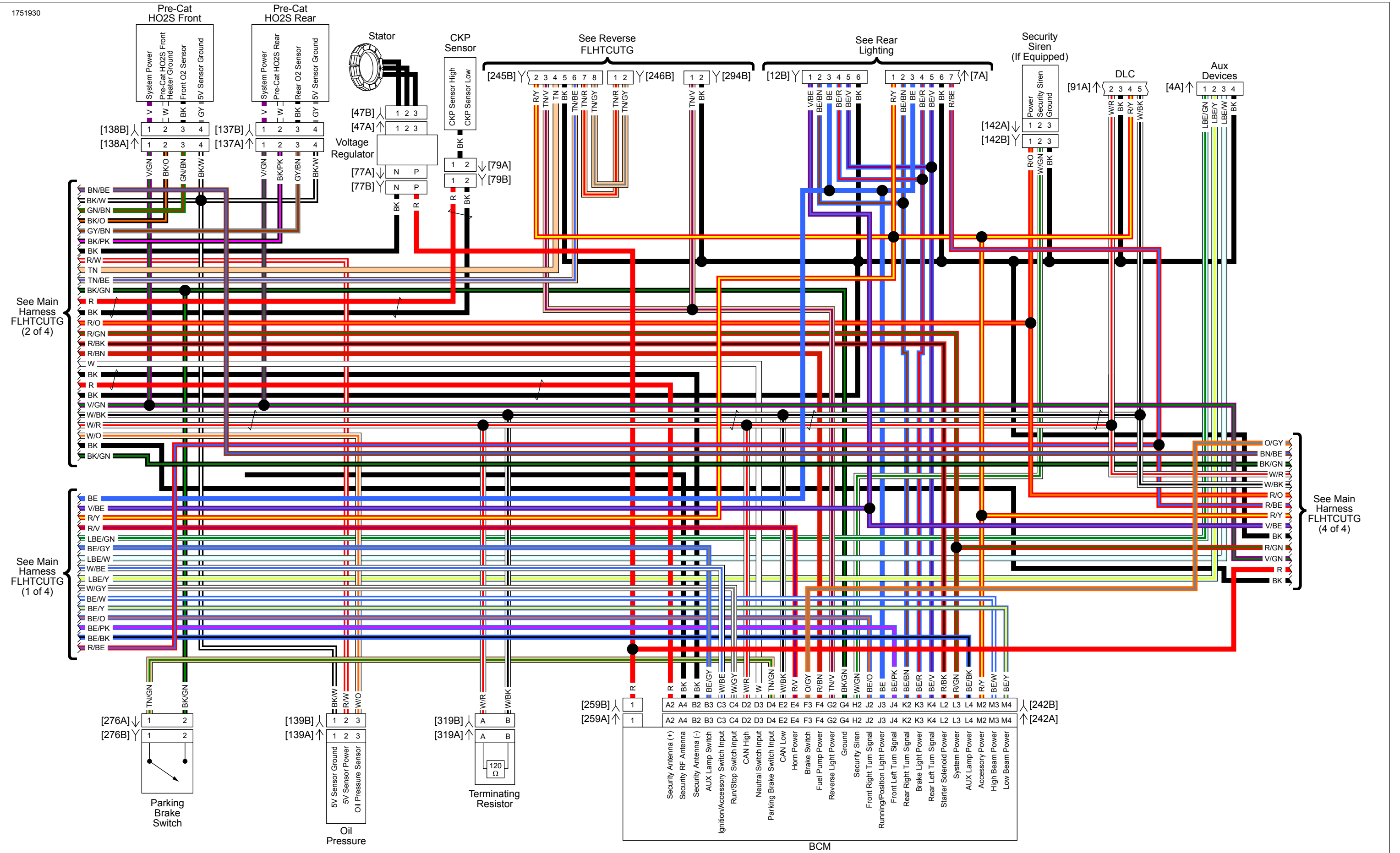


Fairing Harness FLHTCUTG: Trike Model

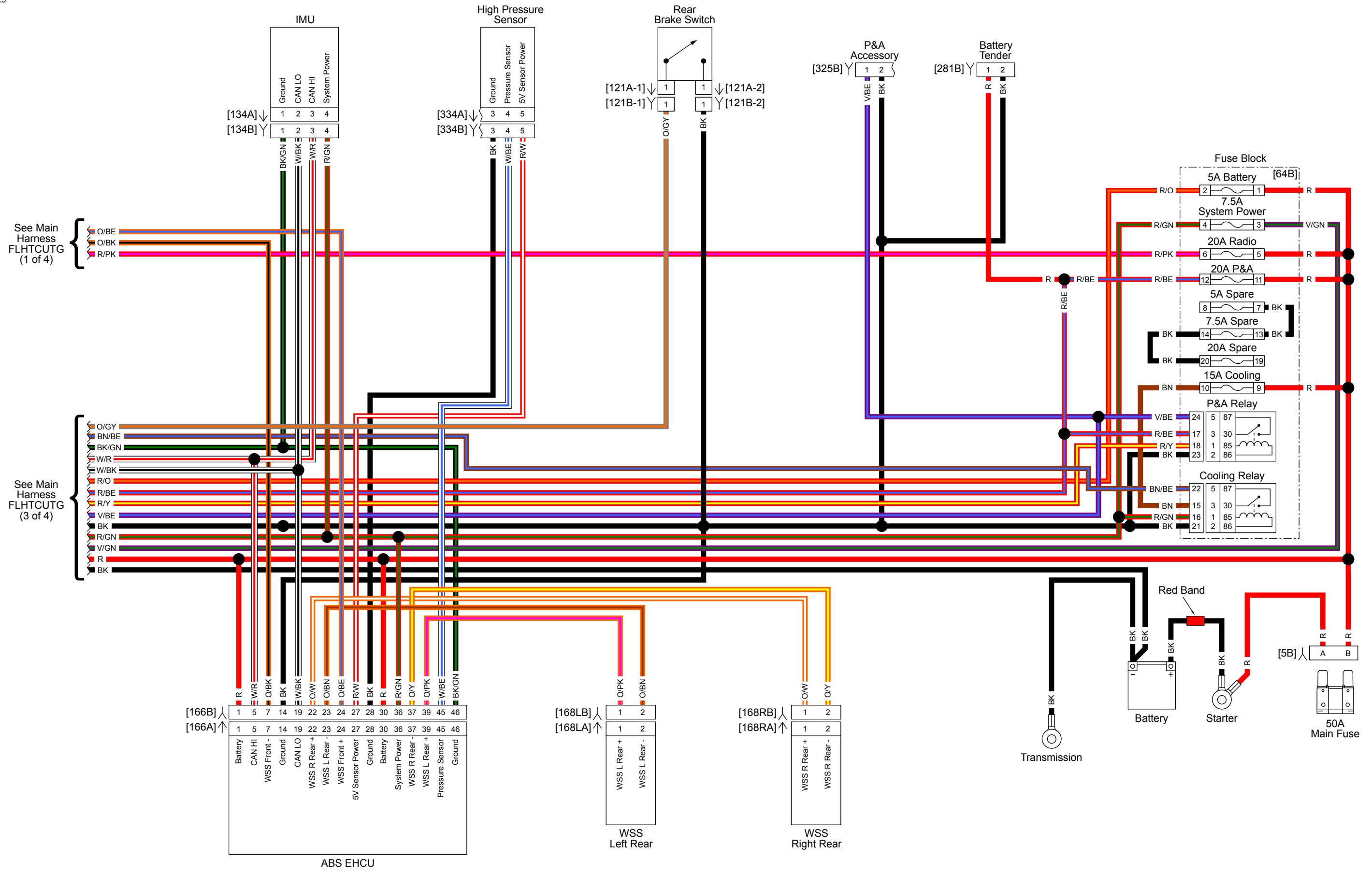


Main Harness FLHTCUTG (1 of 4): Trike Model

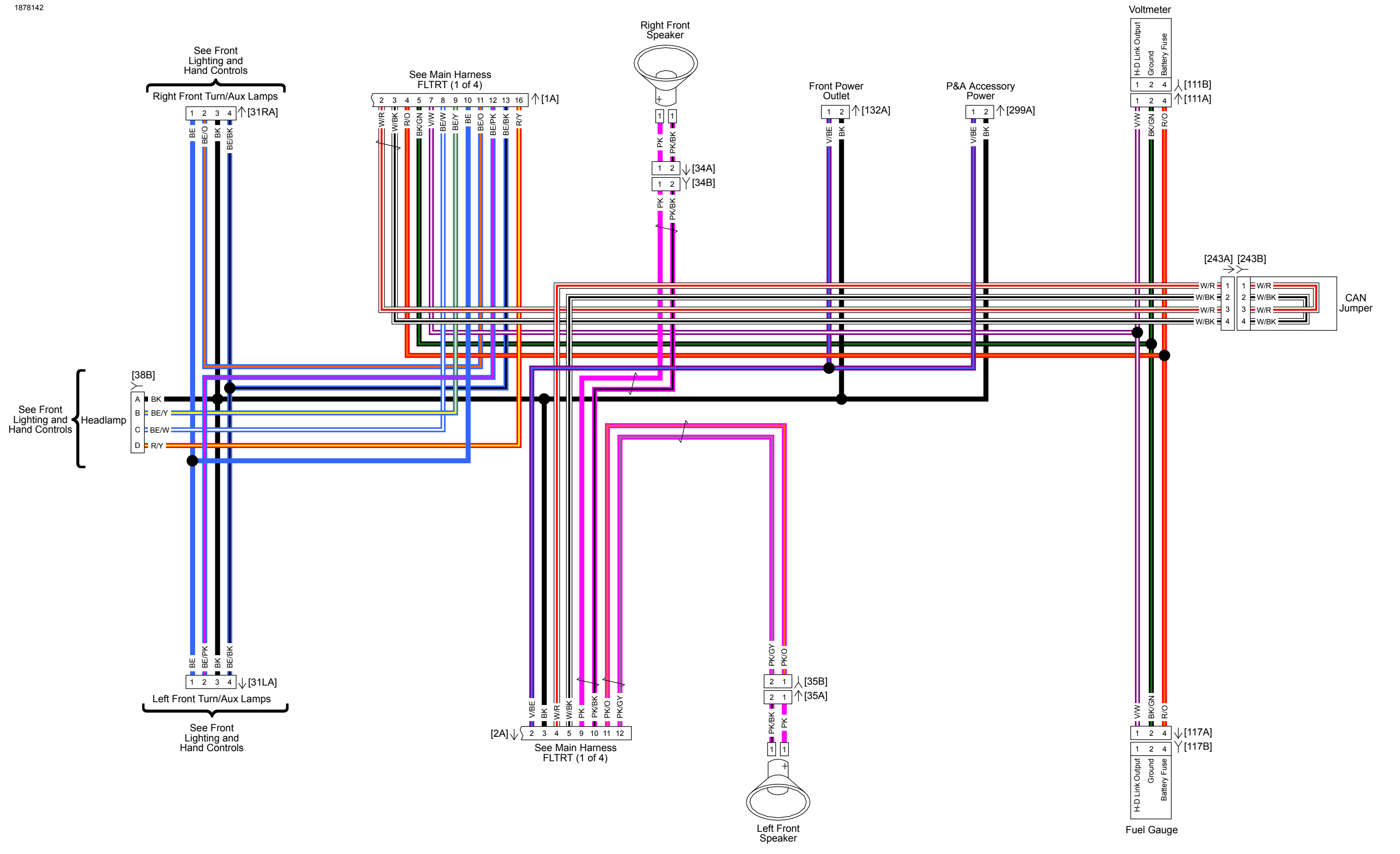




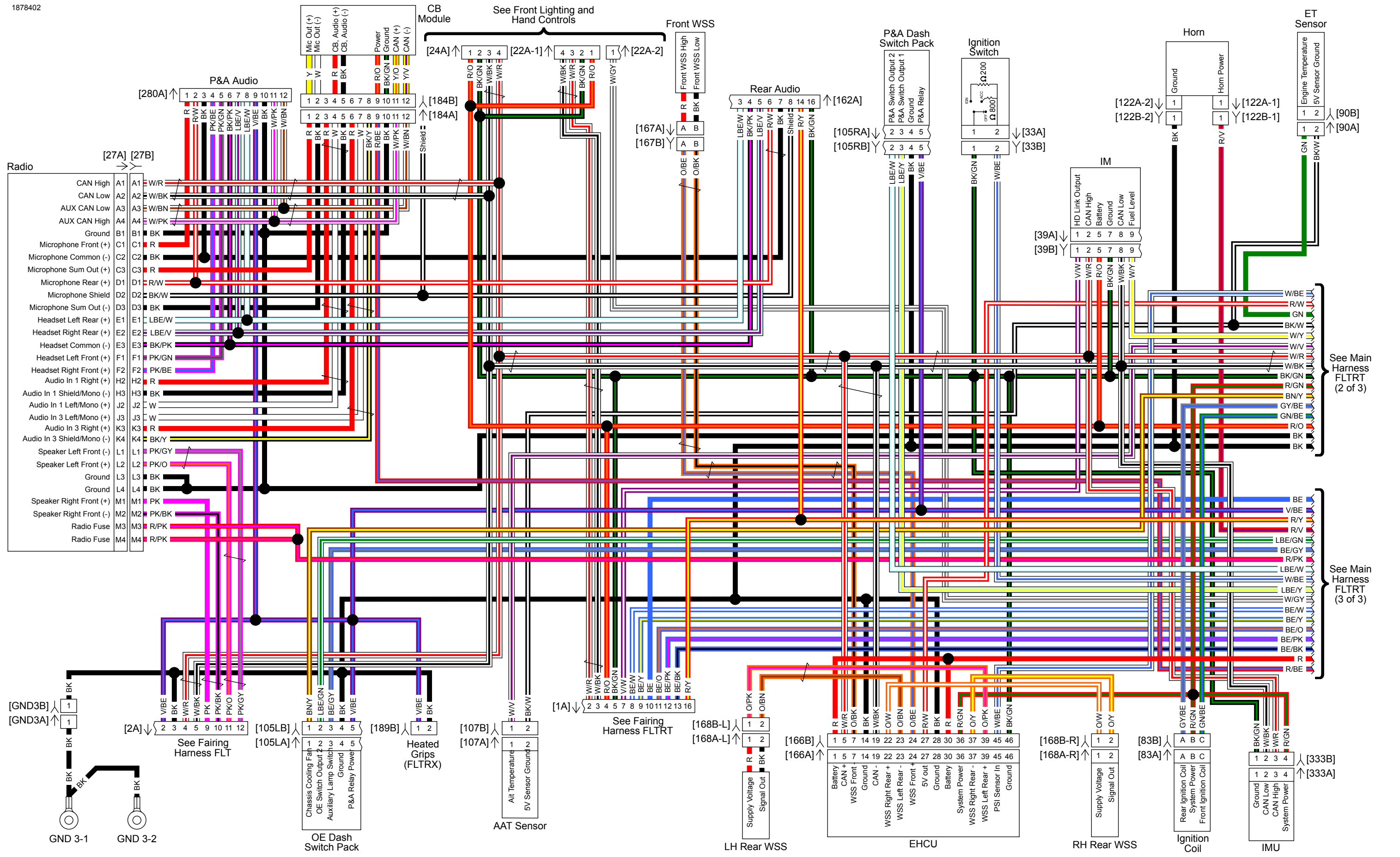
Main Harness FLHTCUTG (3 of 4): Trike Model



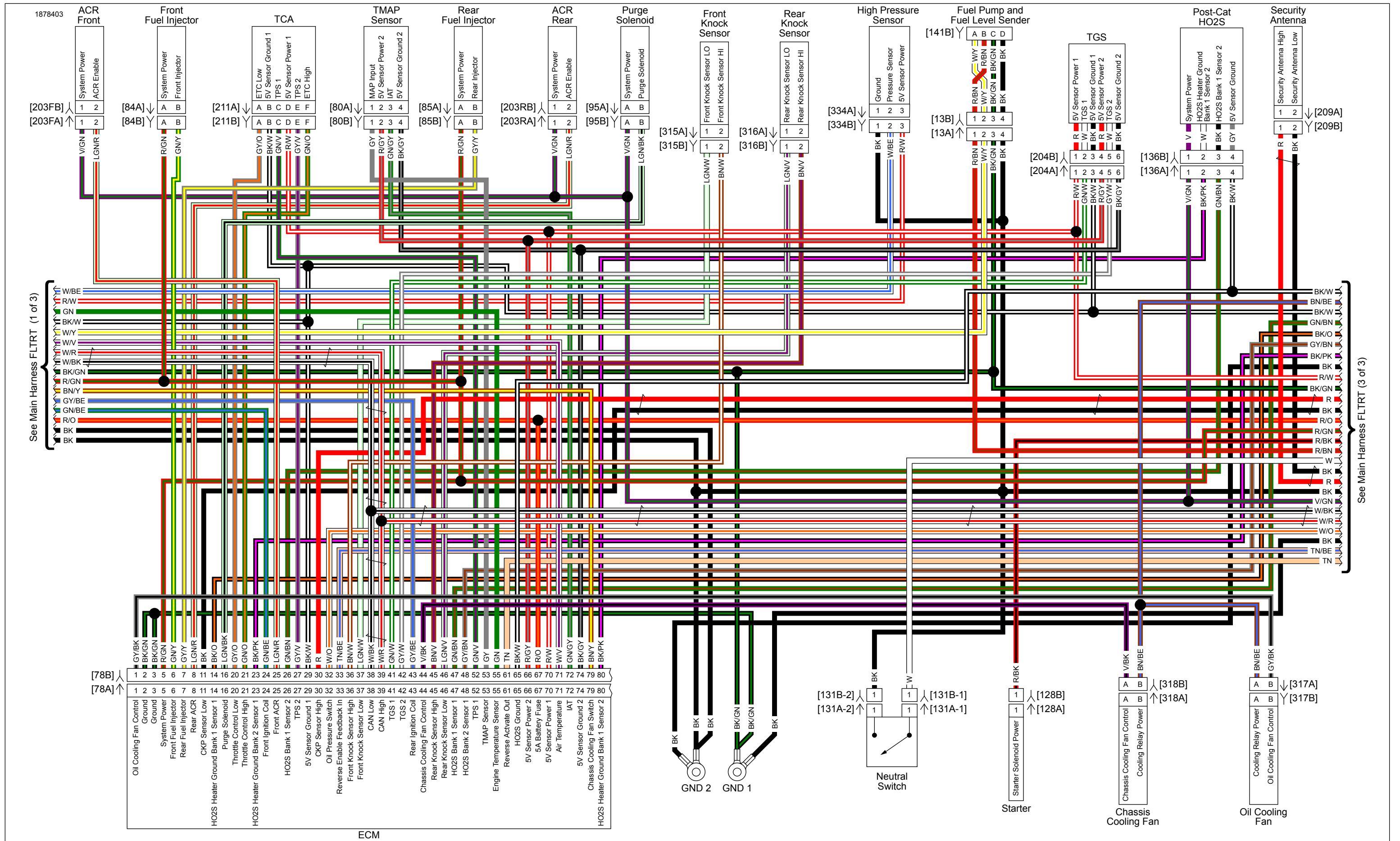
Main Harness FLHTCUTG (4 of 4): Trike Model



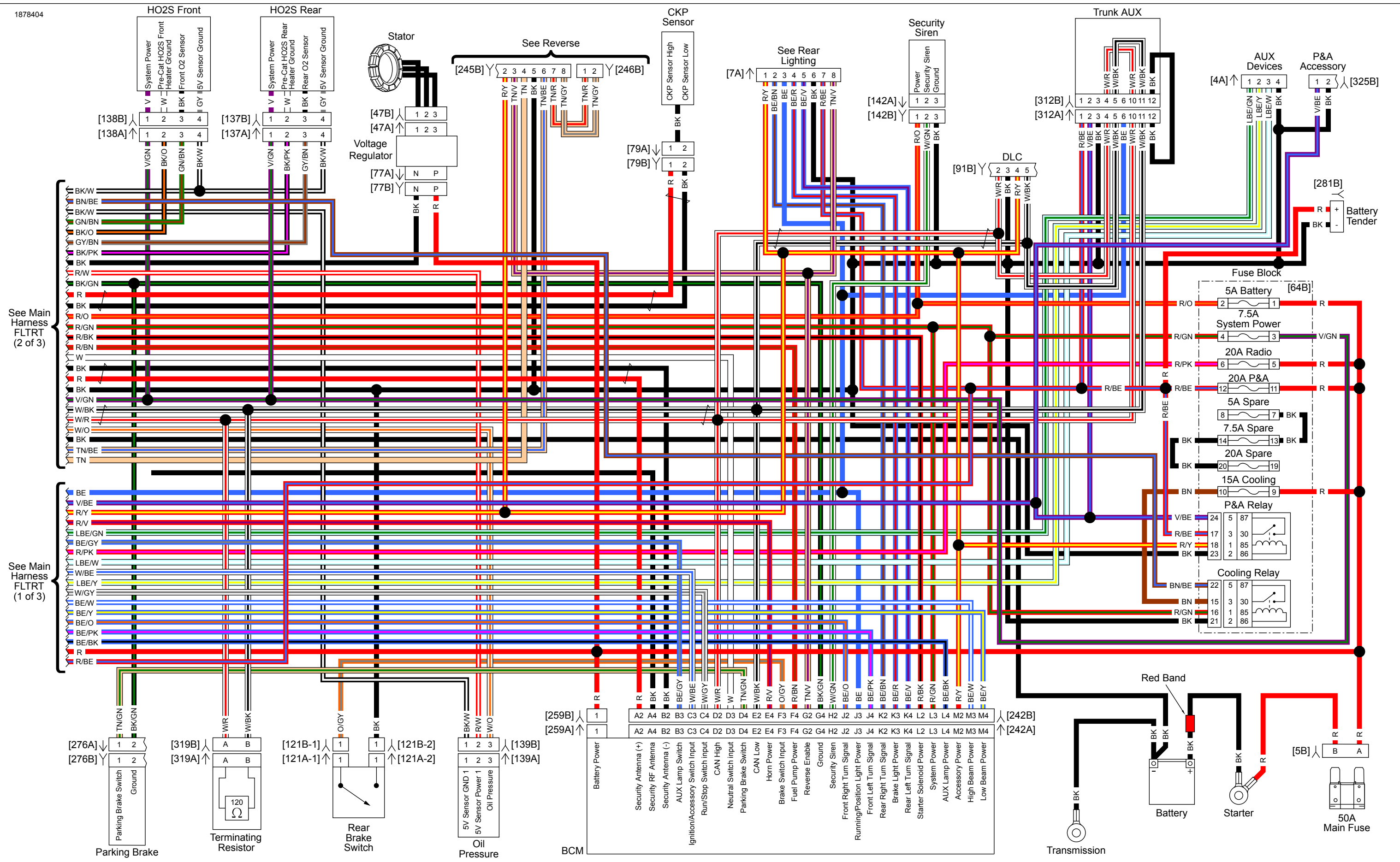
Fairing Harness FLTRT: Trike Model



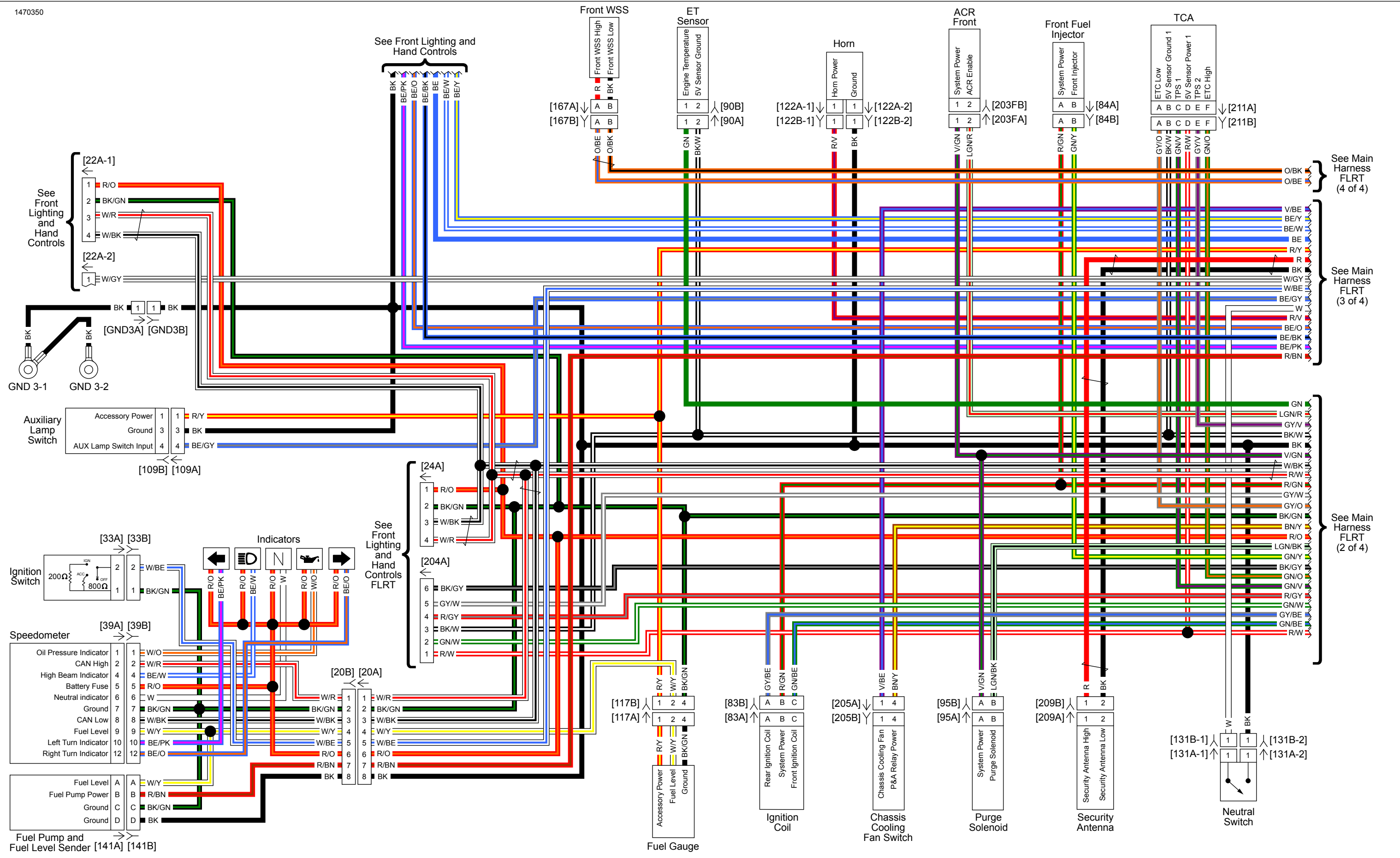
Main Harness FLTRT (1 of 3): Trike Model



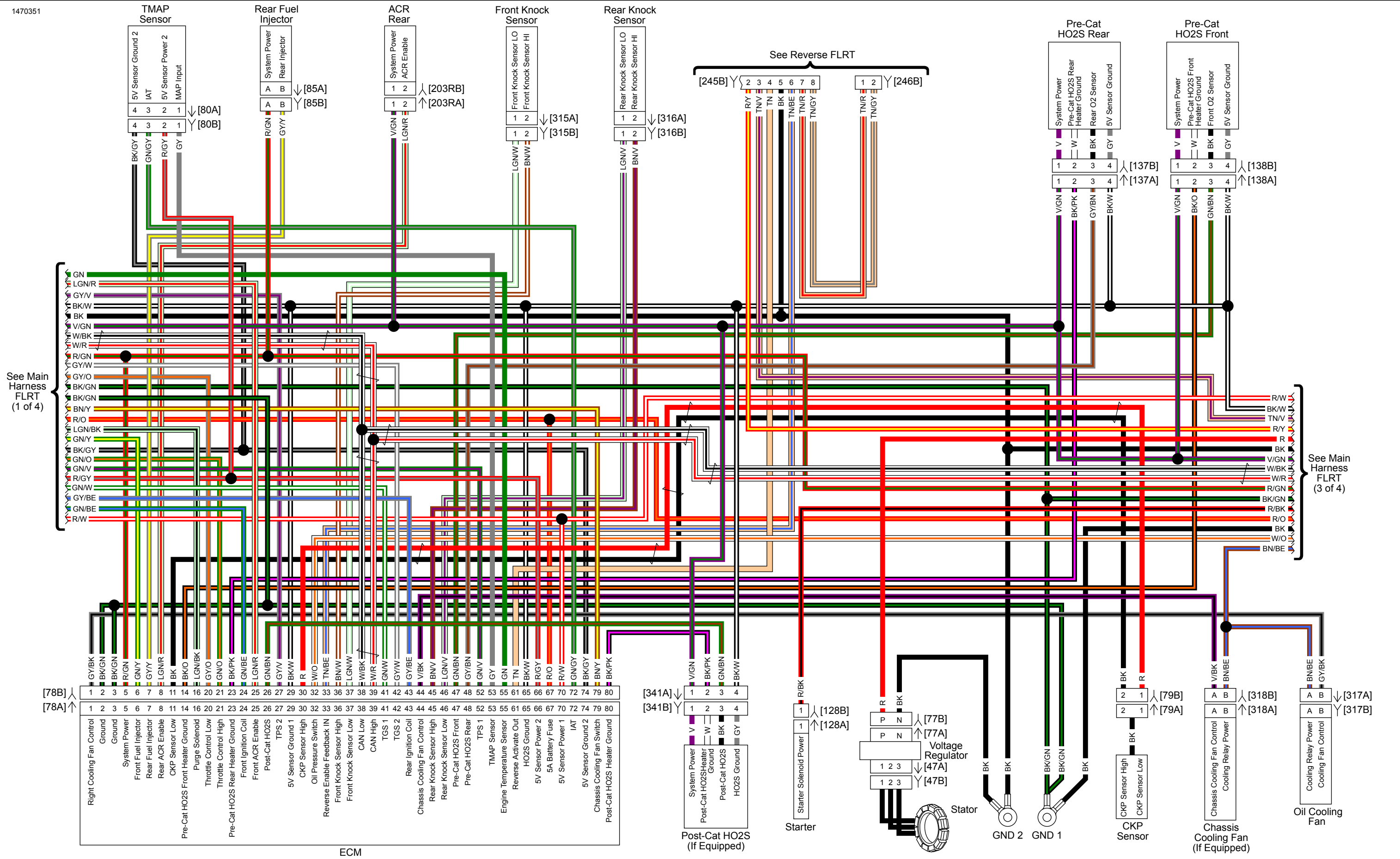
Main Harness FLTRT (2 of 3): Trike Model



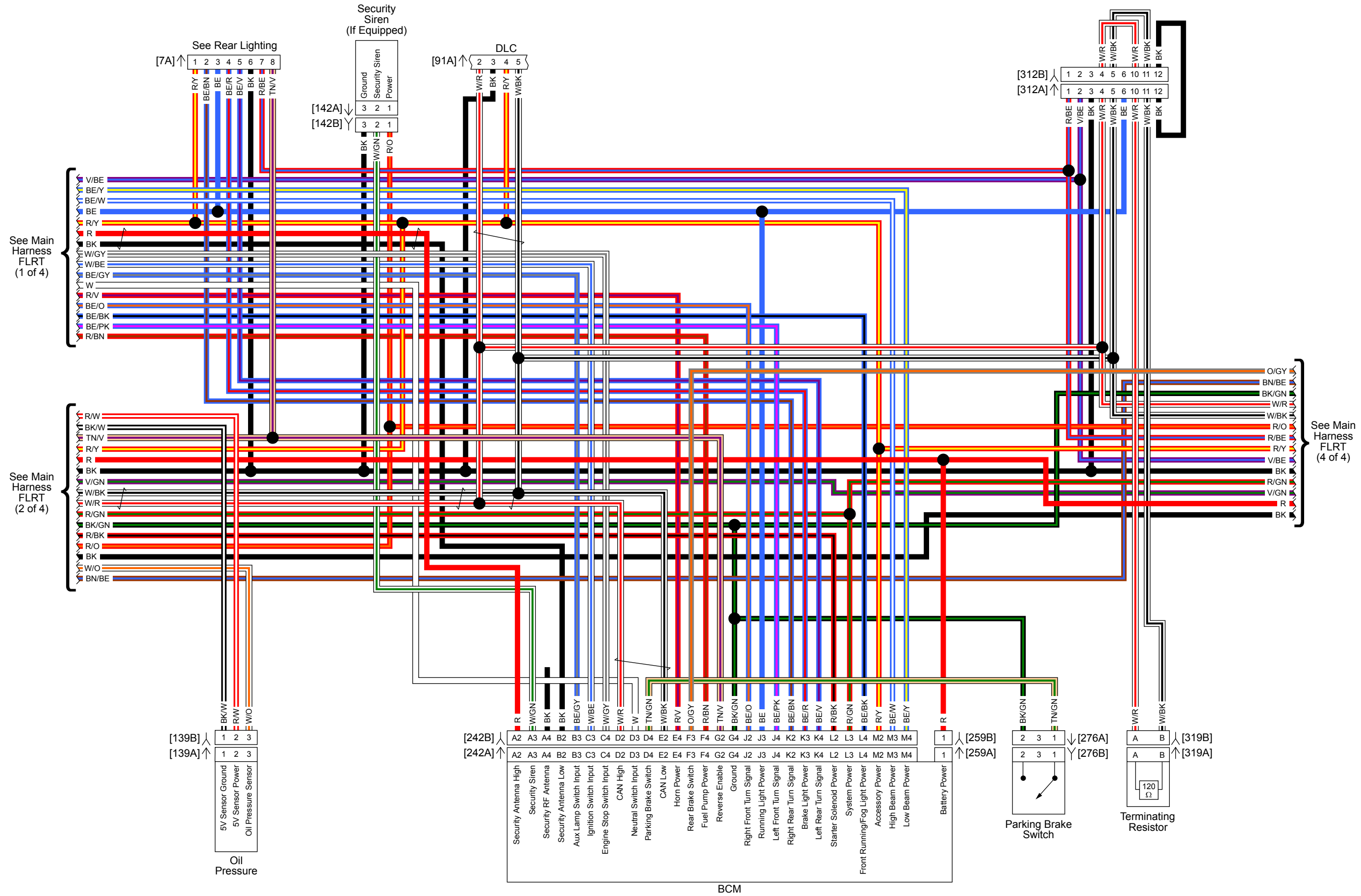
Main Harness FLTRT (3 of 3): Trike Model



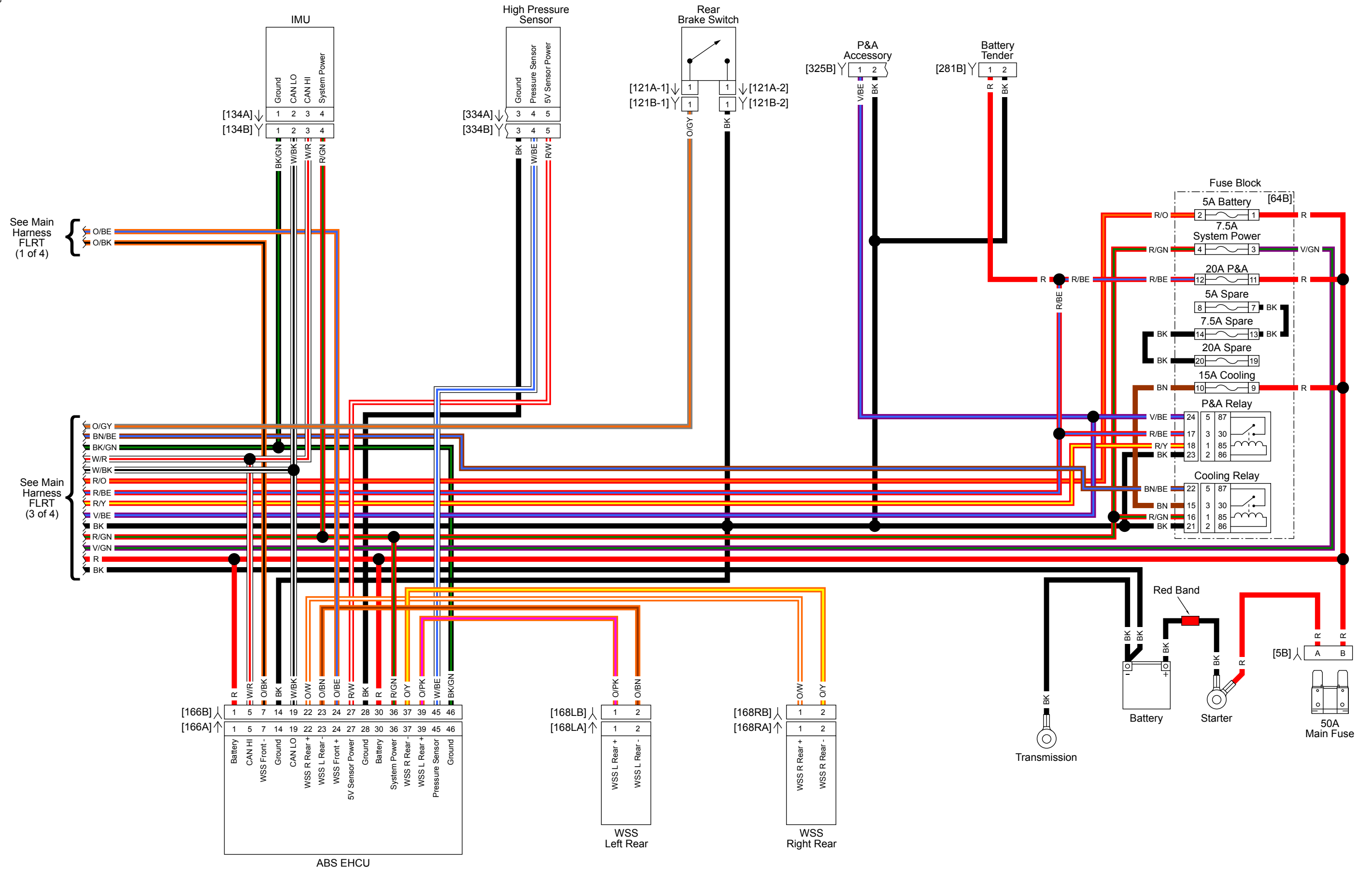
Main Harness FLRT (1 of 4): Trike Model



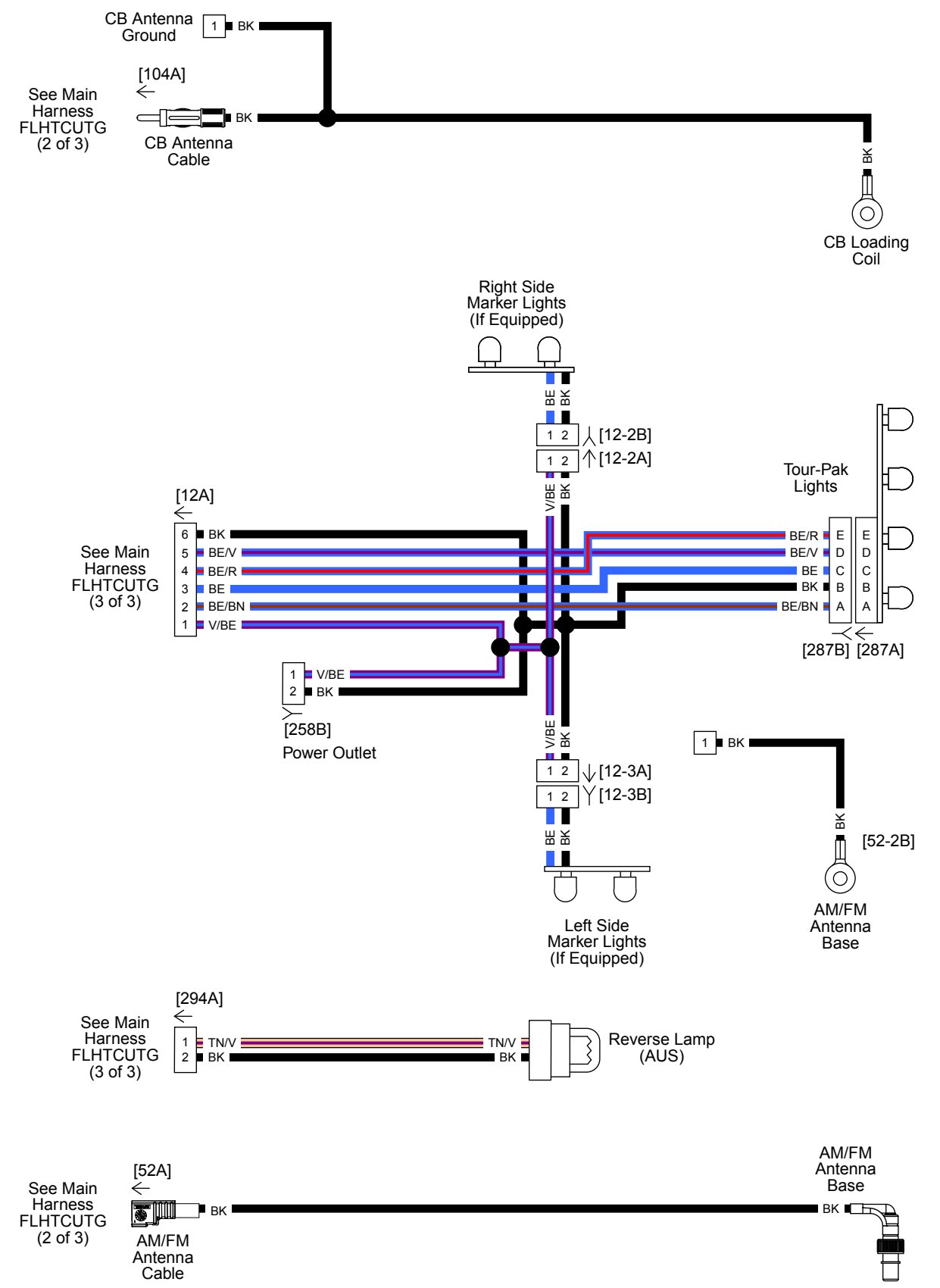
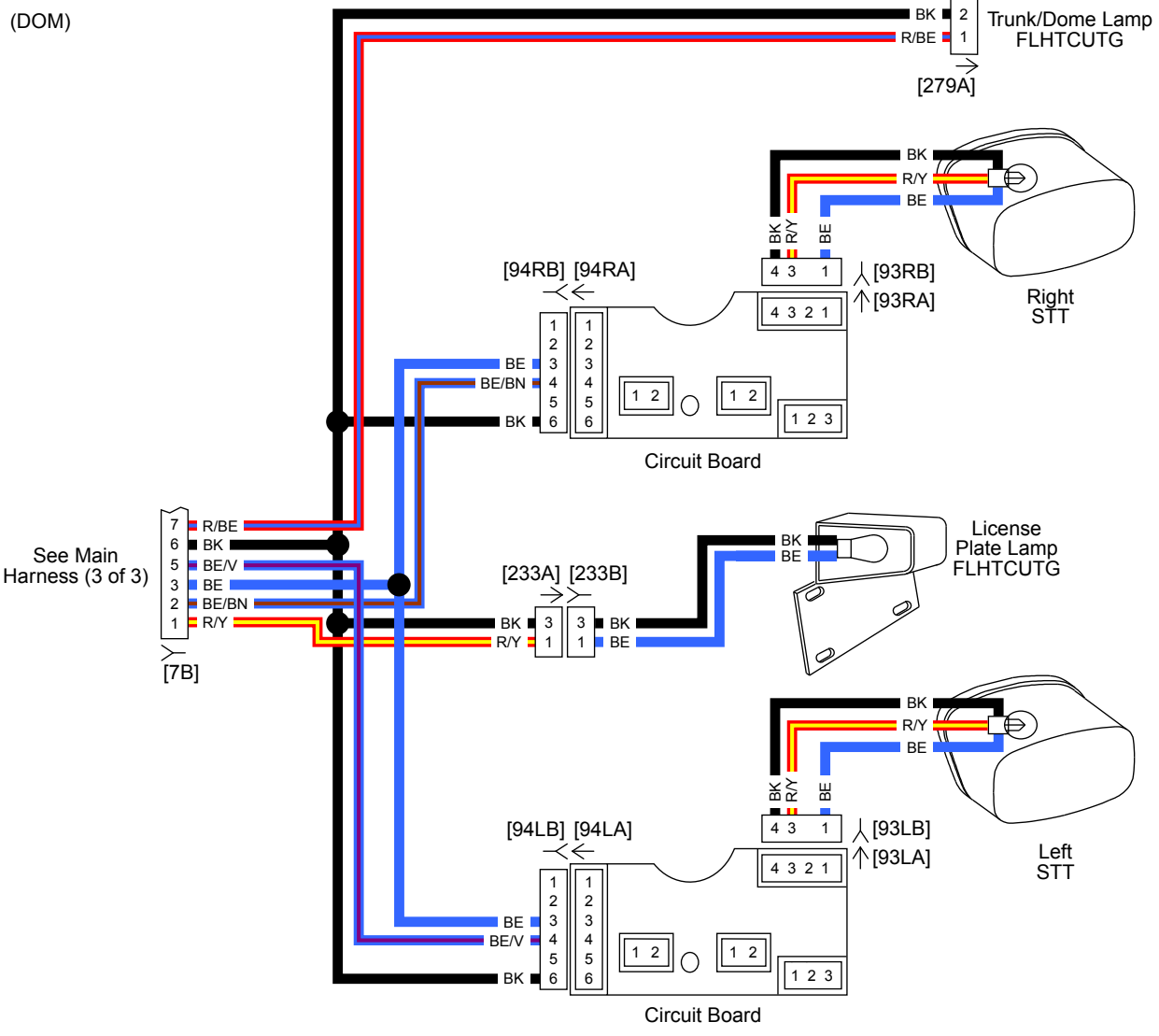
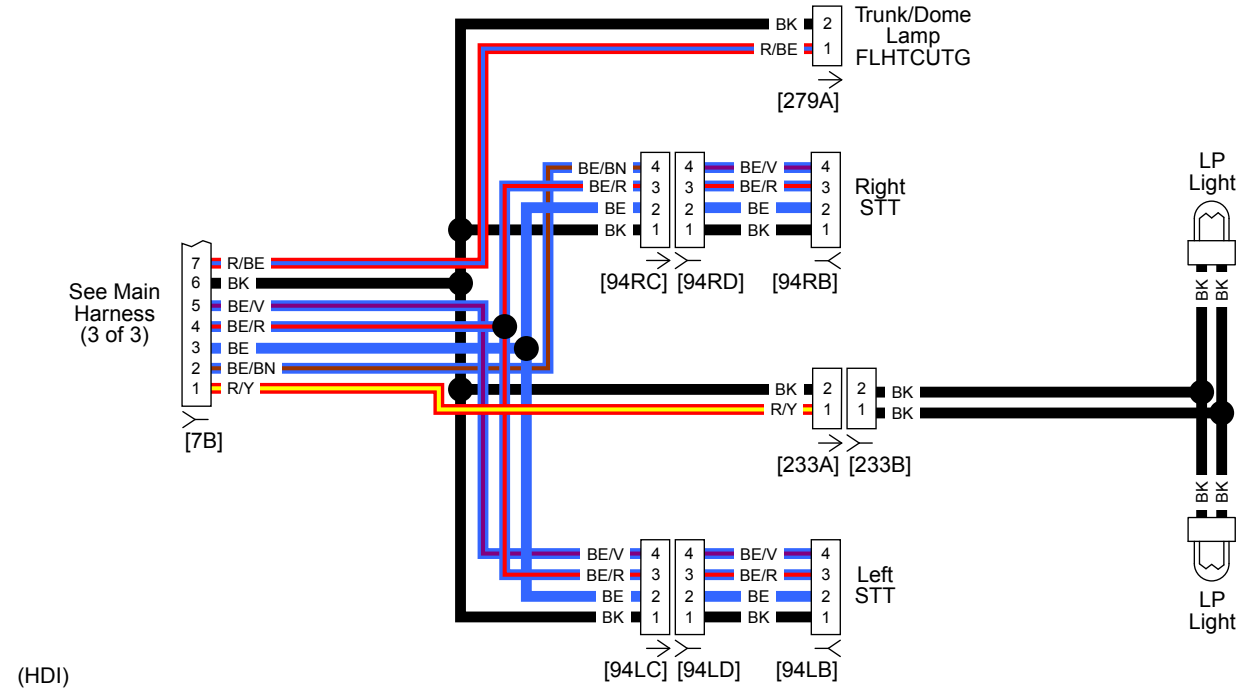
Main Harness FLRT (2 of 4): Trike Model



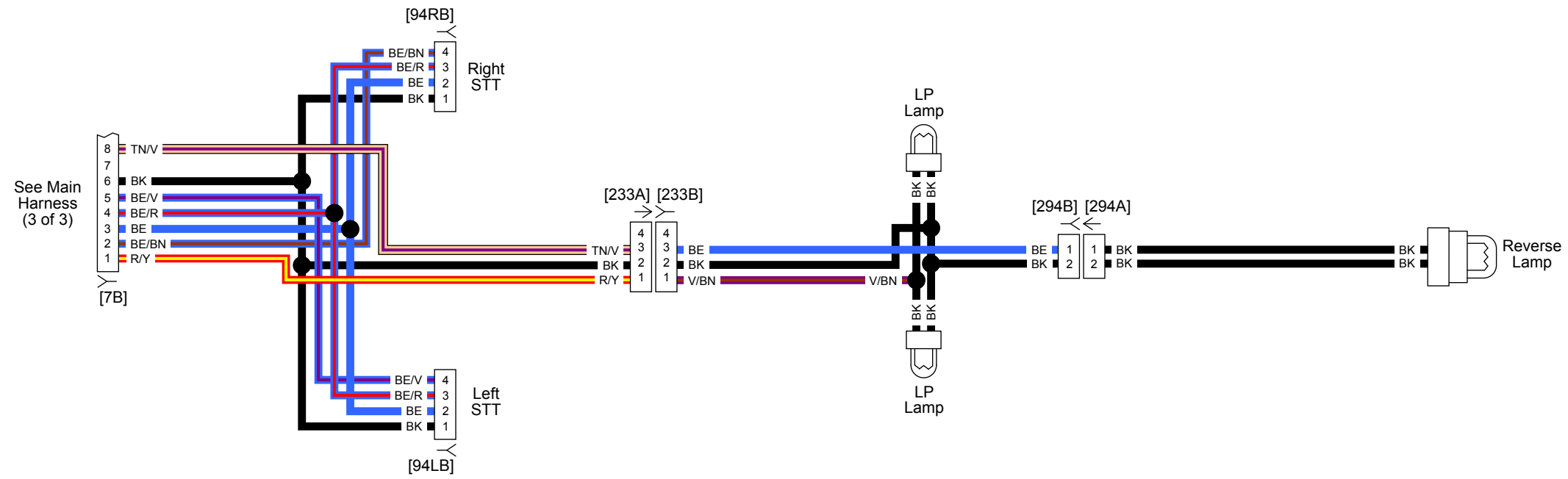
Main Harness FLRT (3 of 4): Trike Model



Main Harness FLRT (4 of 4): Trike Model

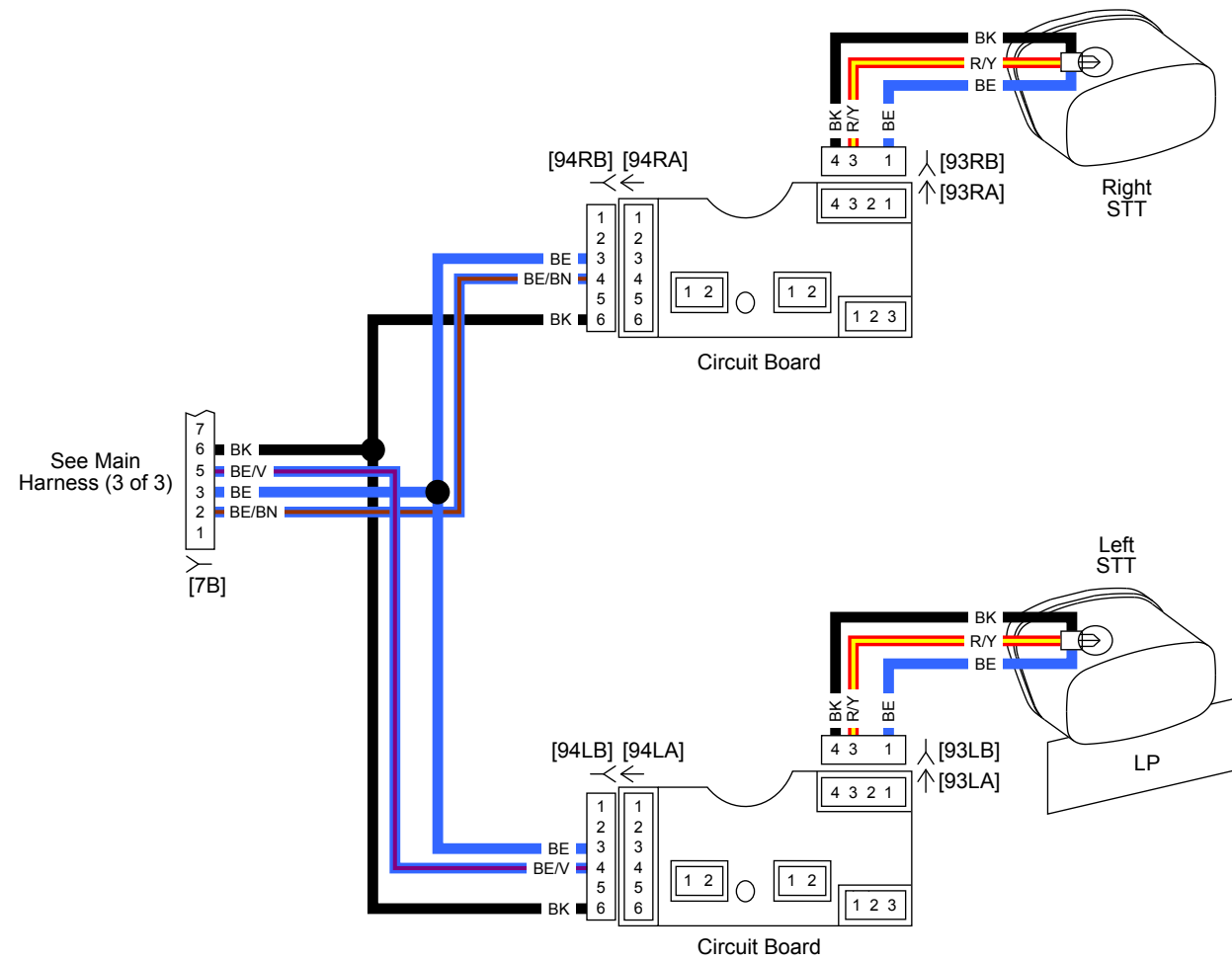


Rear Lighting FLHTCUTG: Trike Model

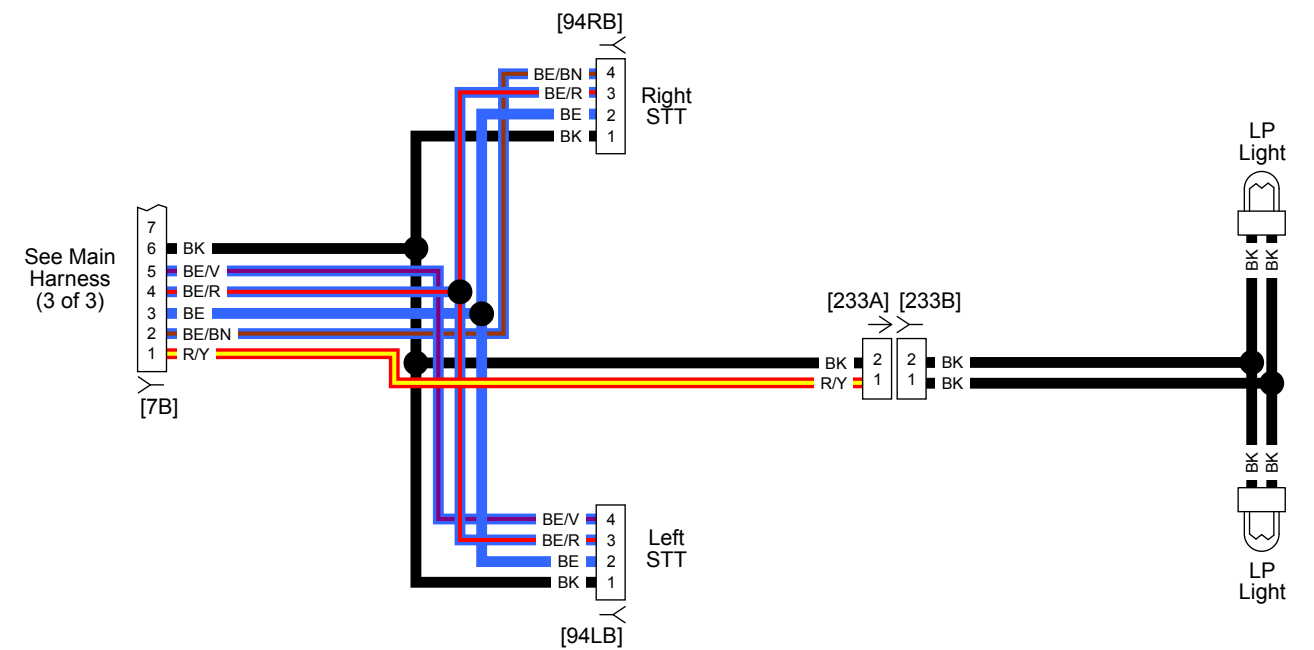


AUS

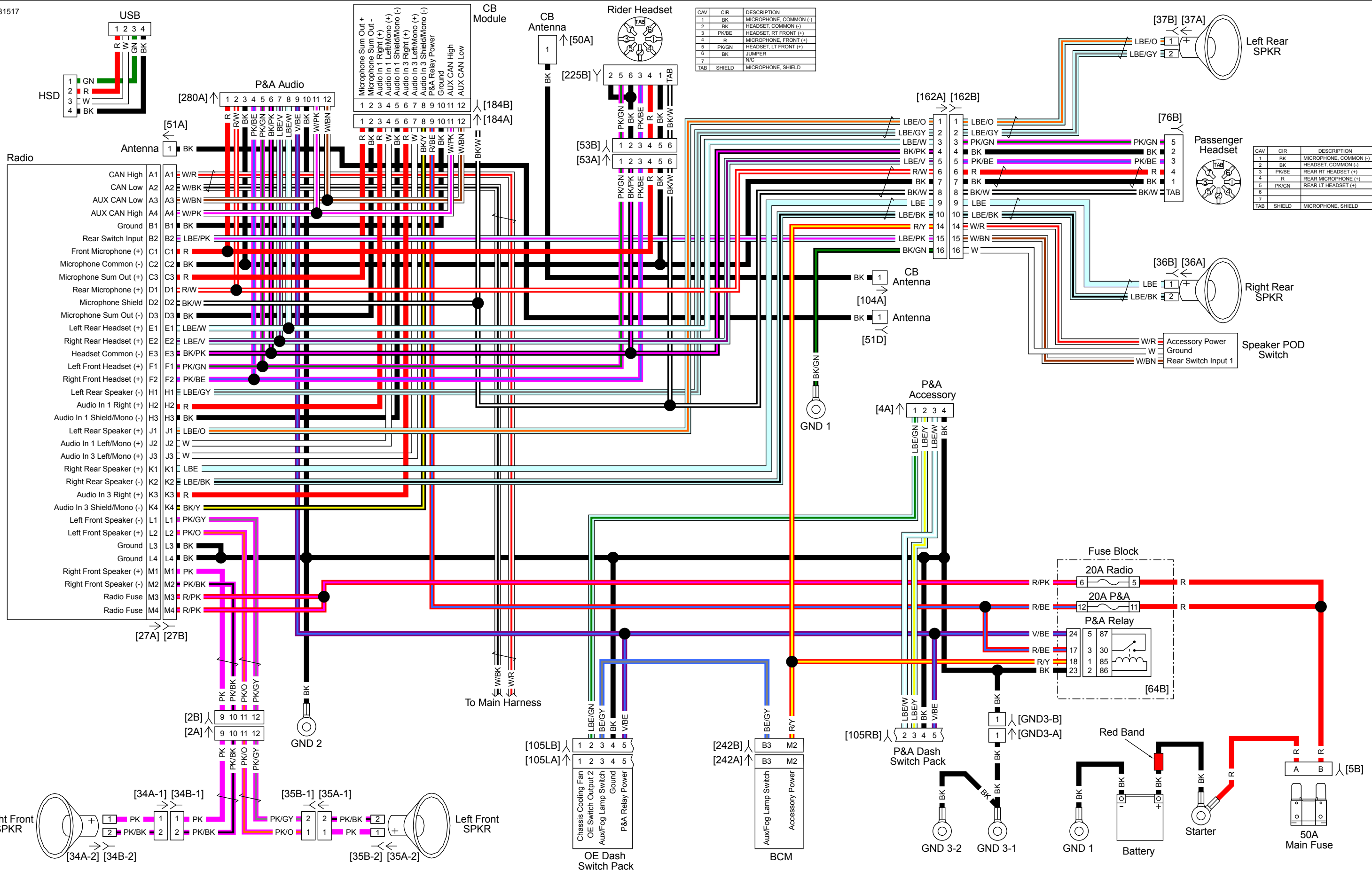
DOM



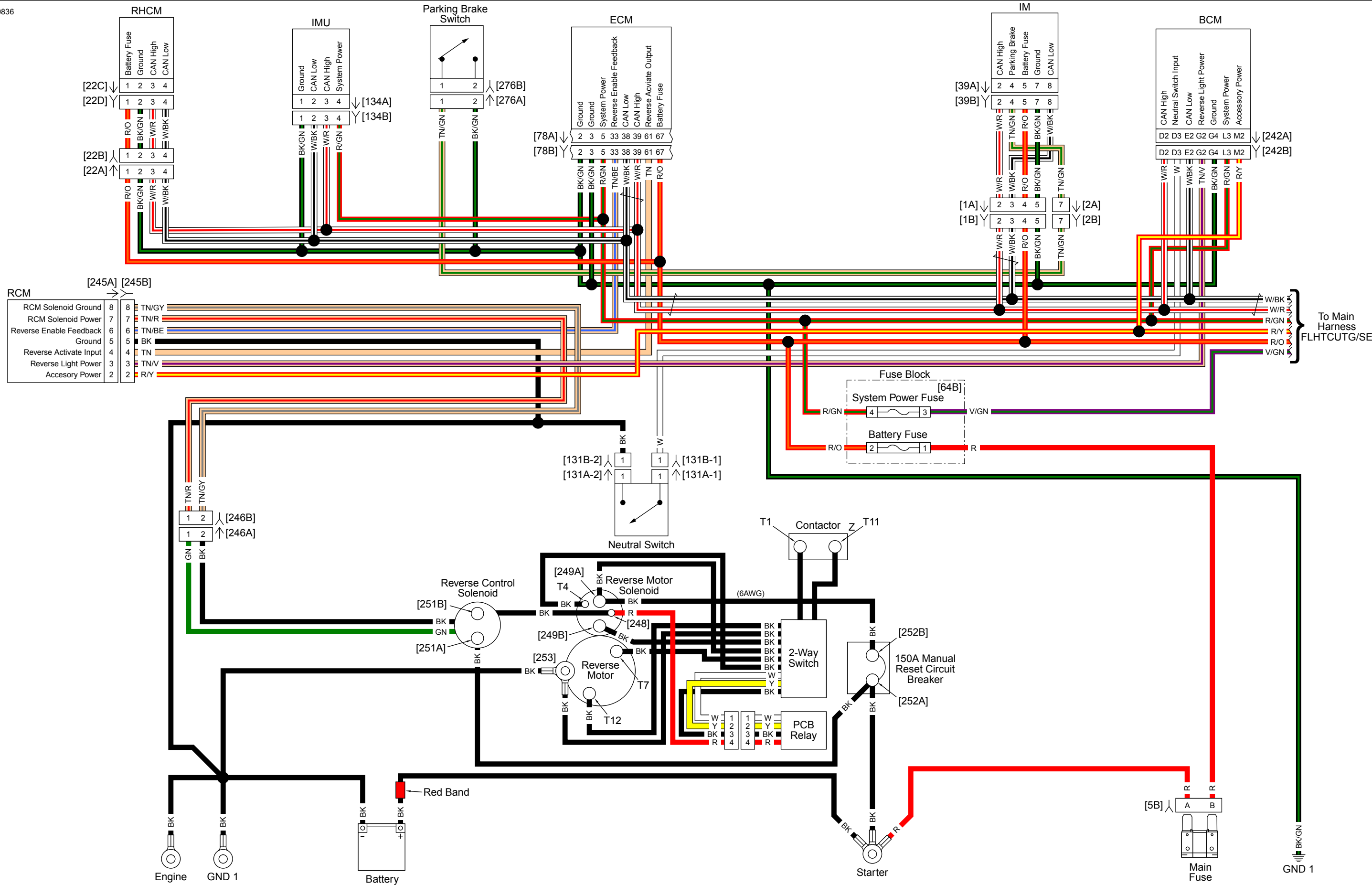
ENG, HDI, JPN



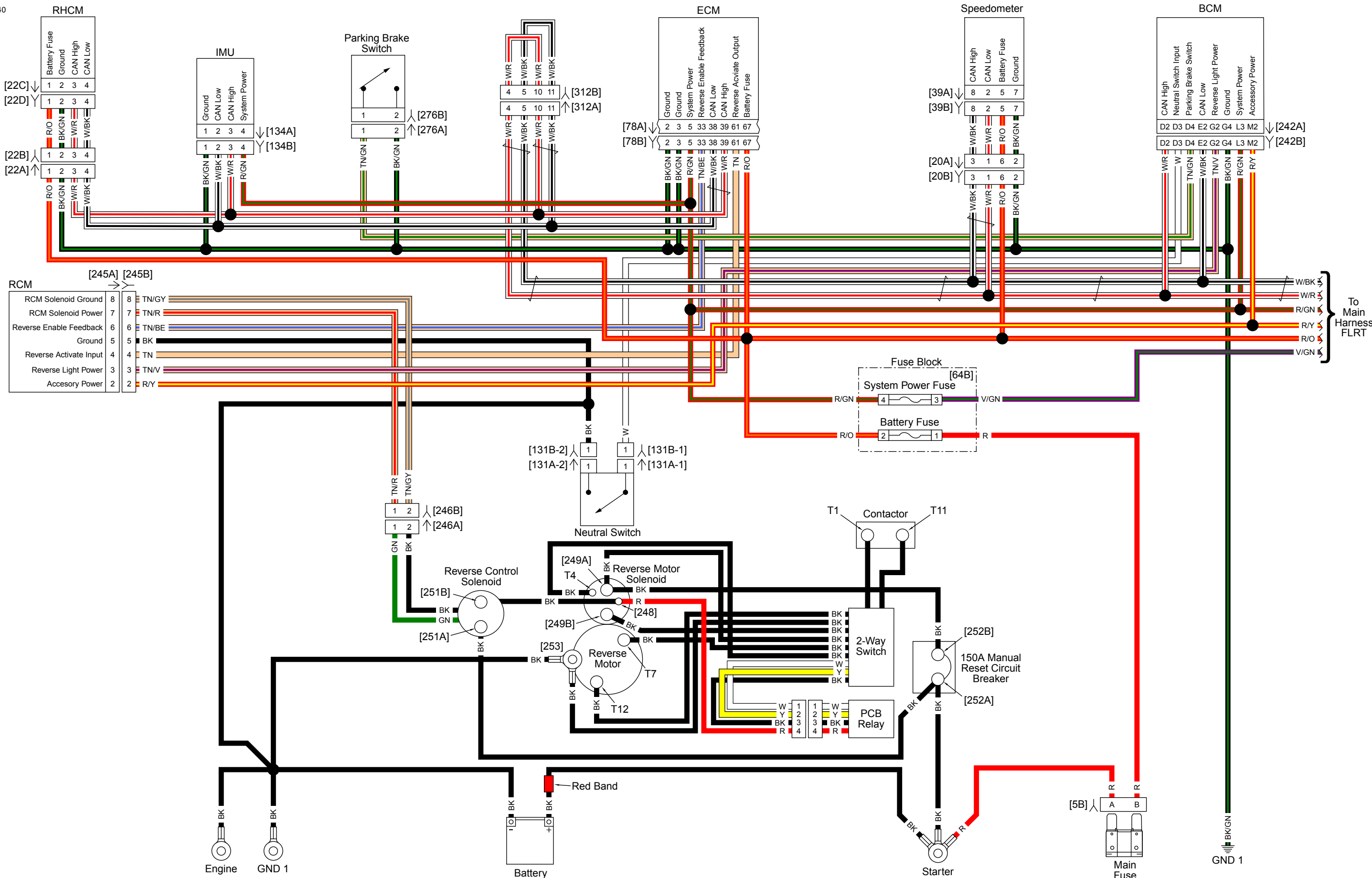
Rear Lighting FLRT, FLTRT: Trike Model



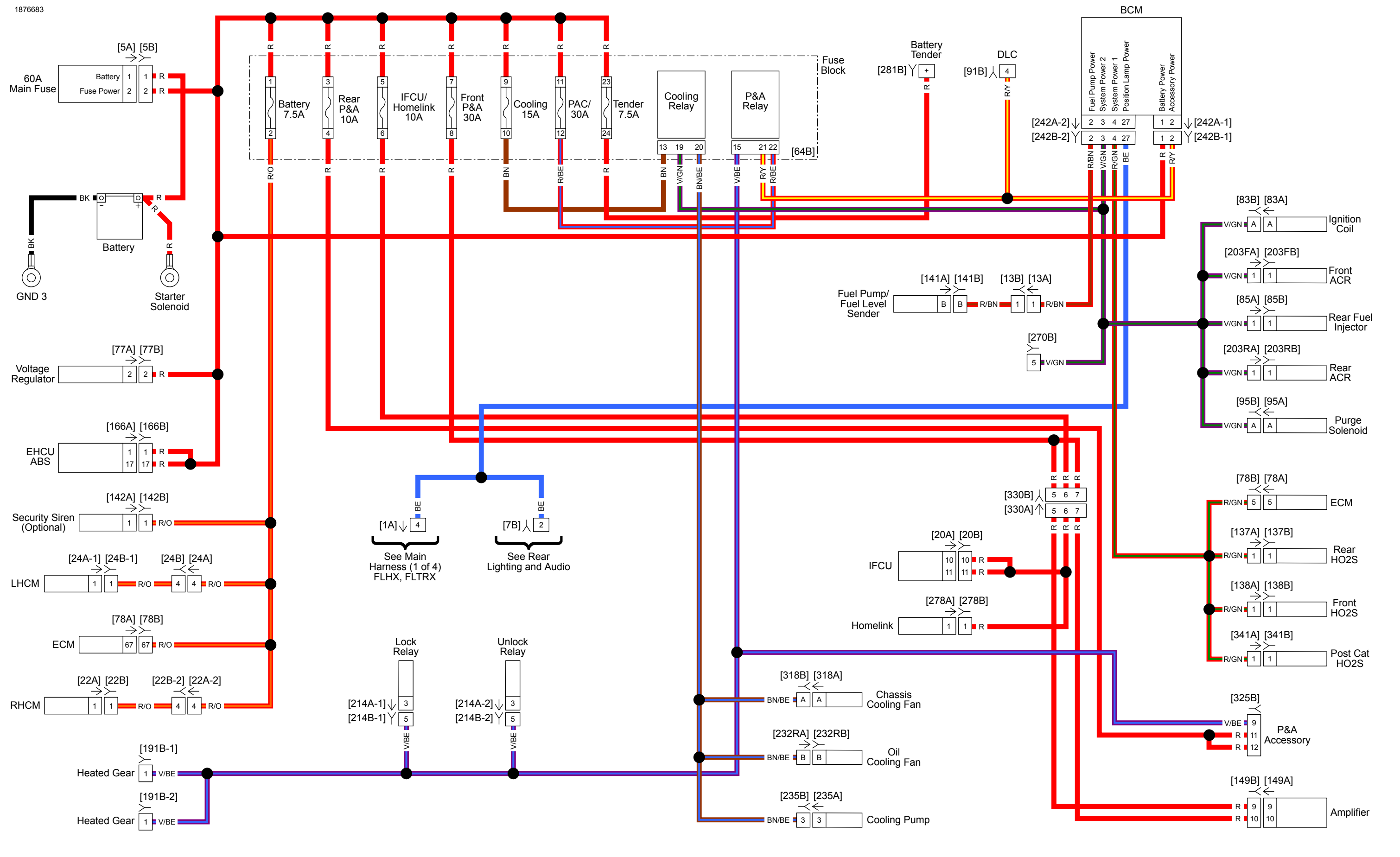
Radio FLHTCUTG: Trike Model



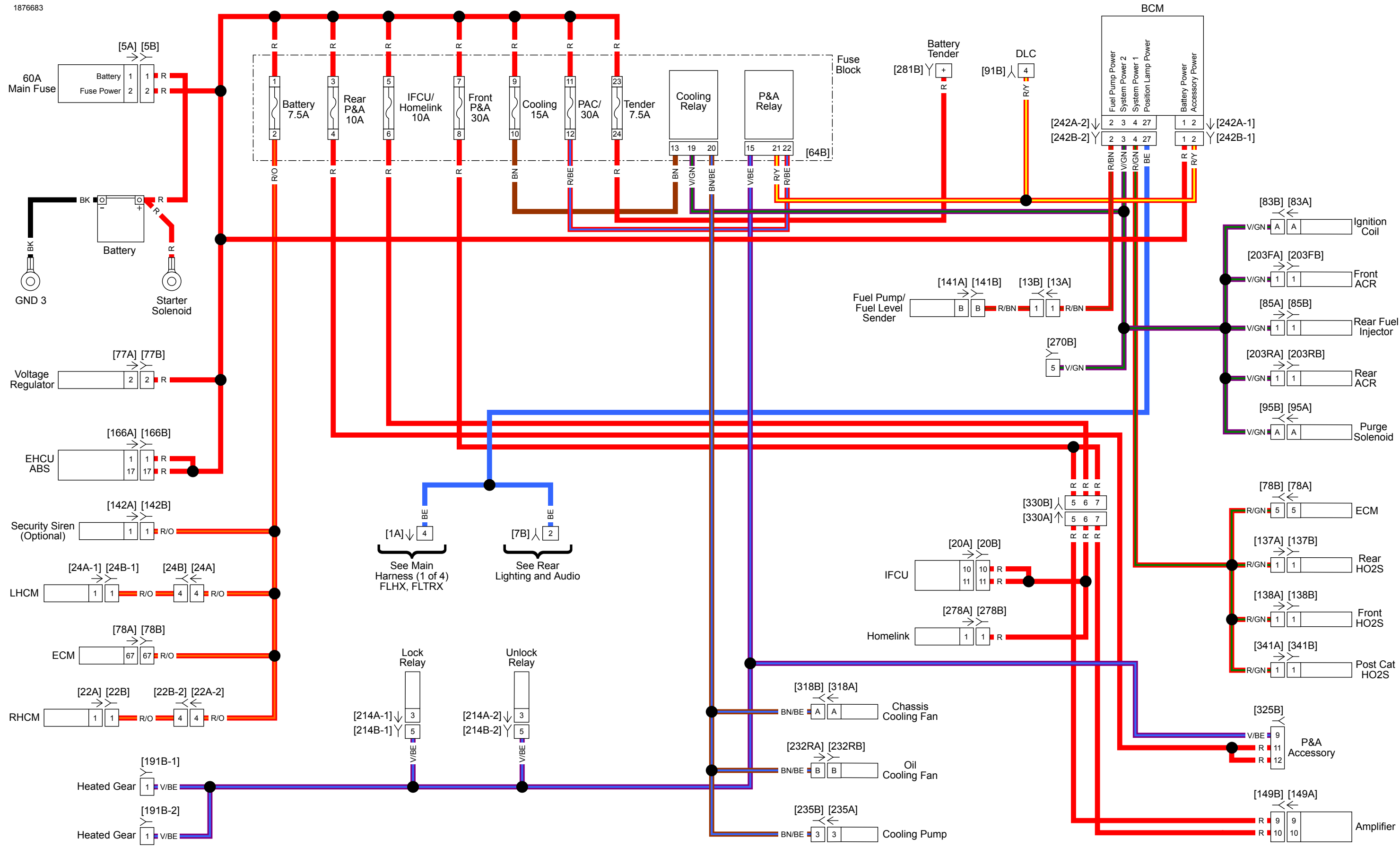
Reverse FLHTCUTG: Trike Model



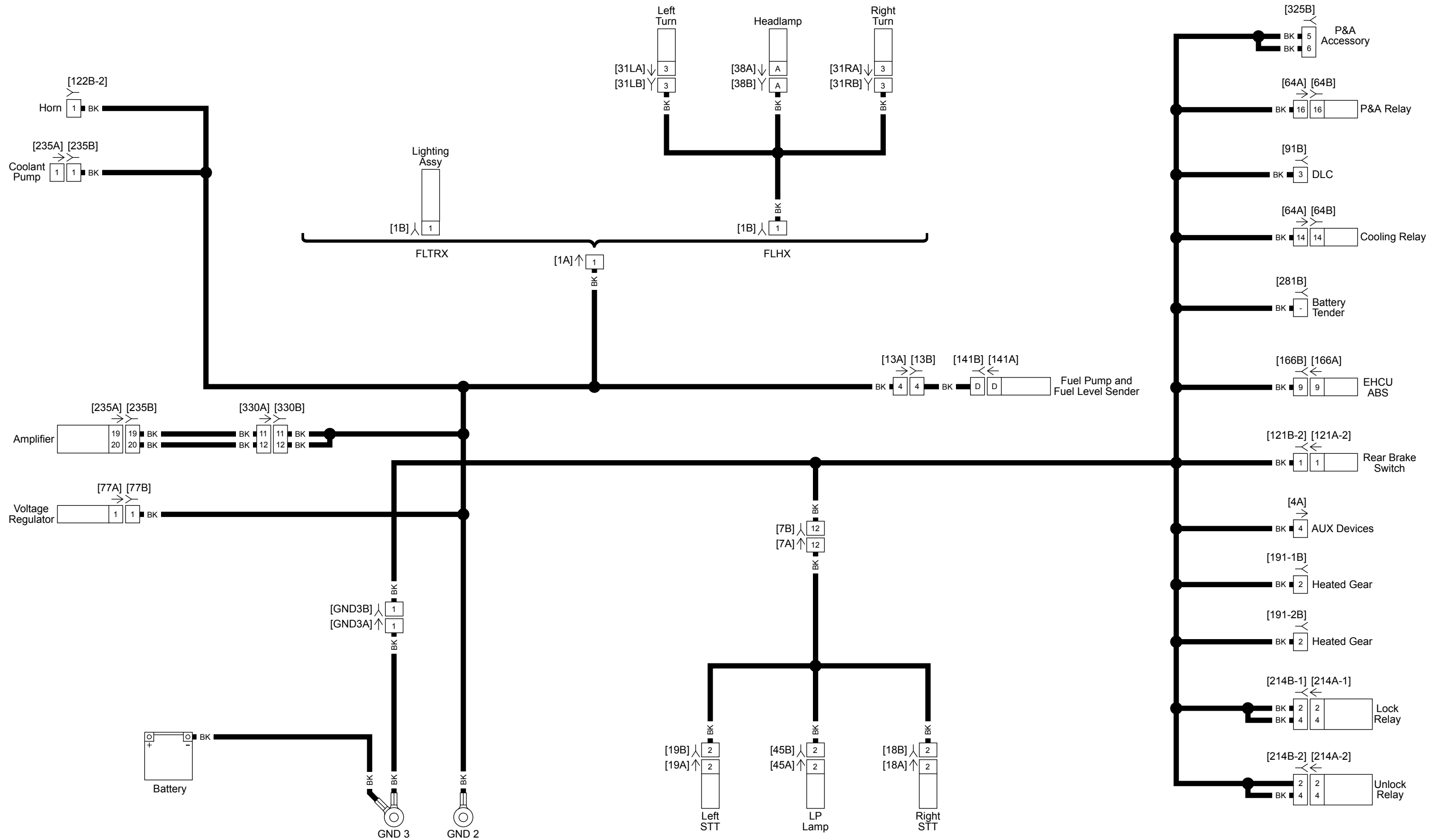
Reverse FLRT: Trike Model



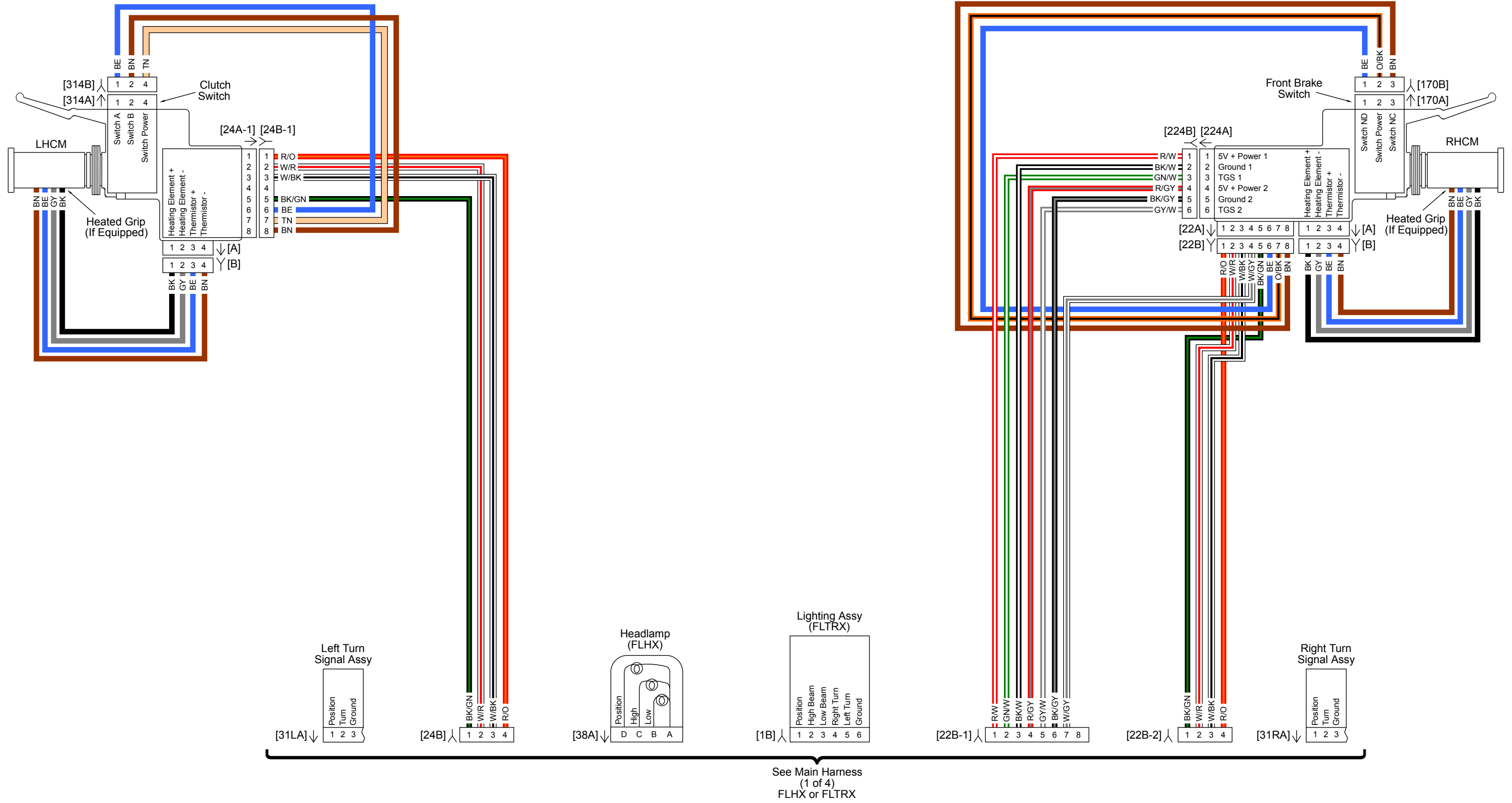
Power Distribution: FLHX, FLTRX



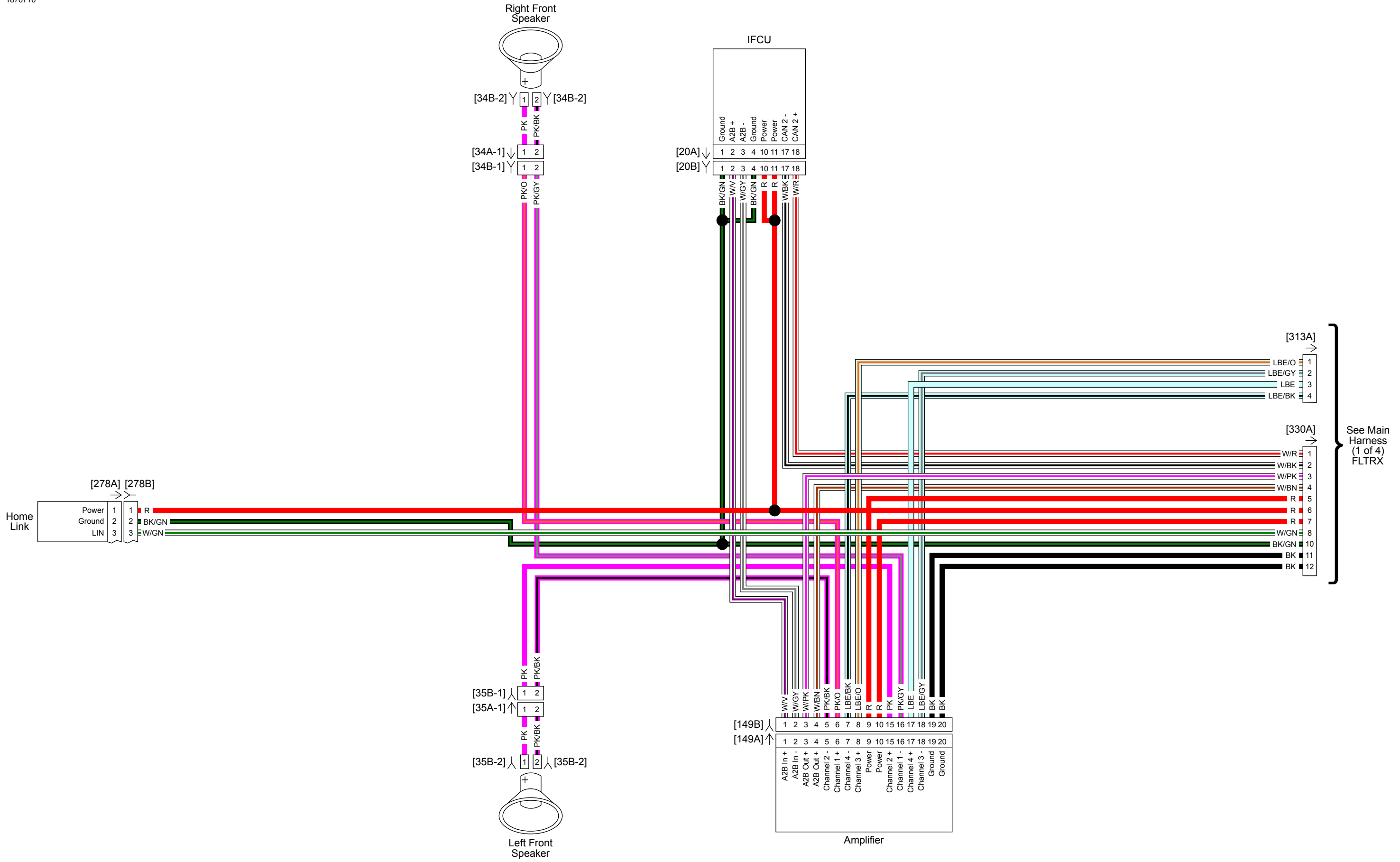
Power Distribution: FLHX, FLTRX



Ground Circuit: FLHX, FLTRX

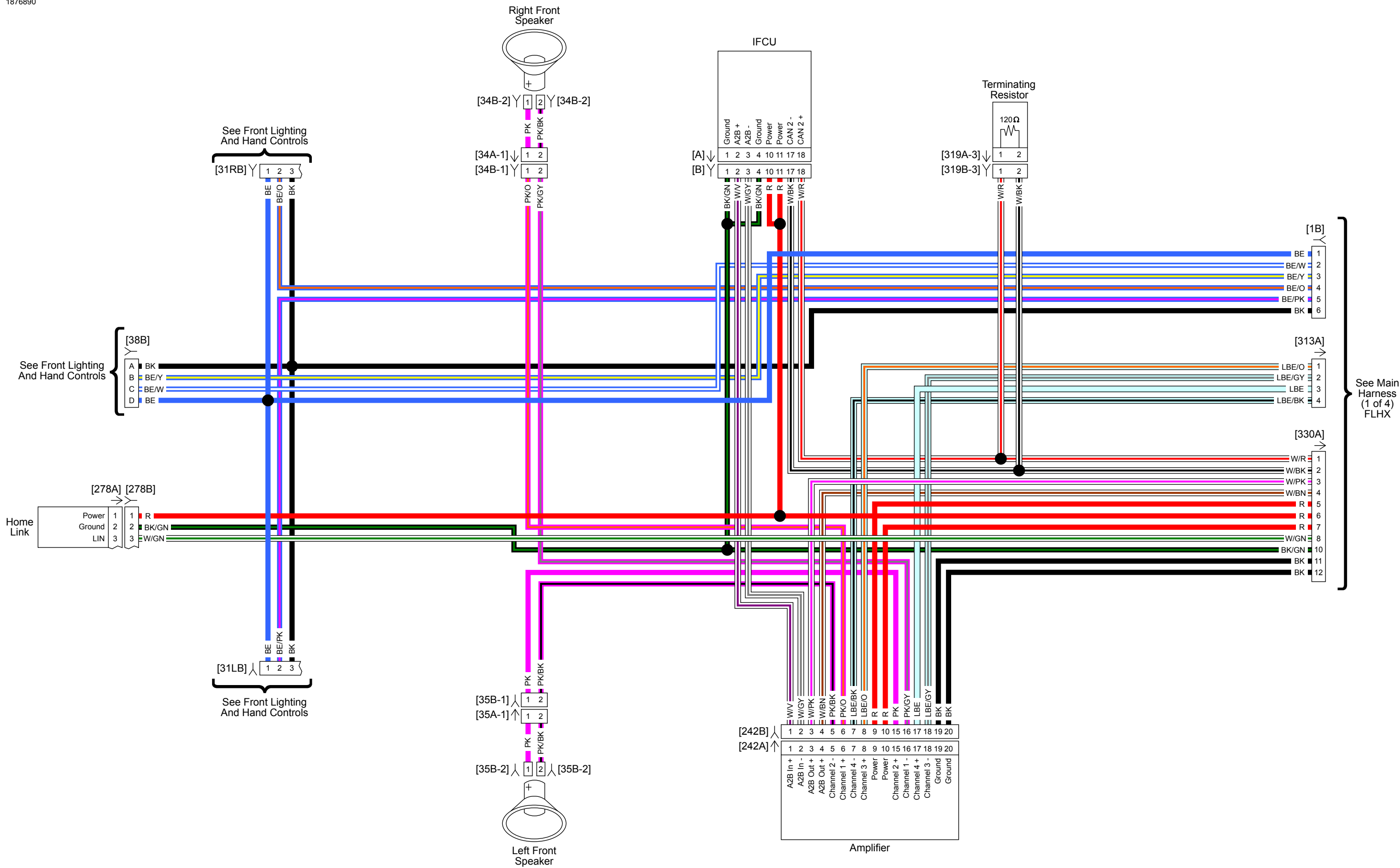


Front Lighting and Hand Controls: FLHX, FLTRX

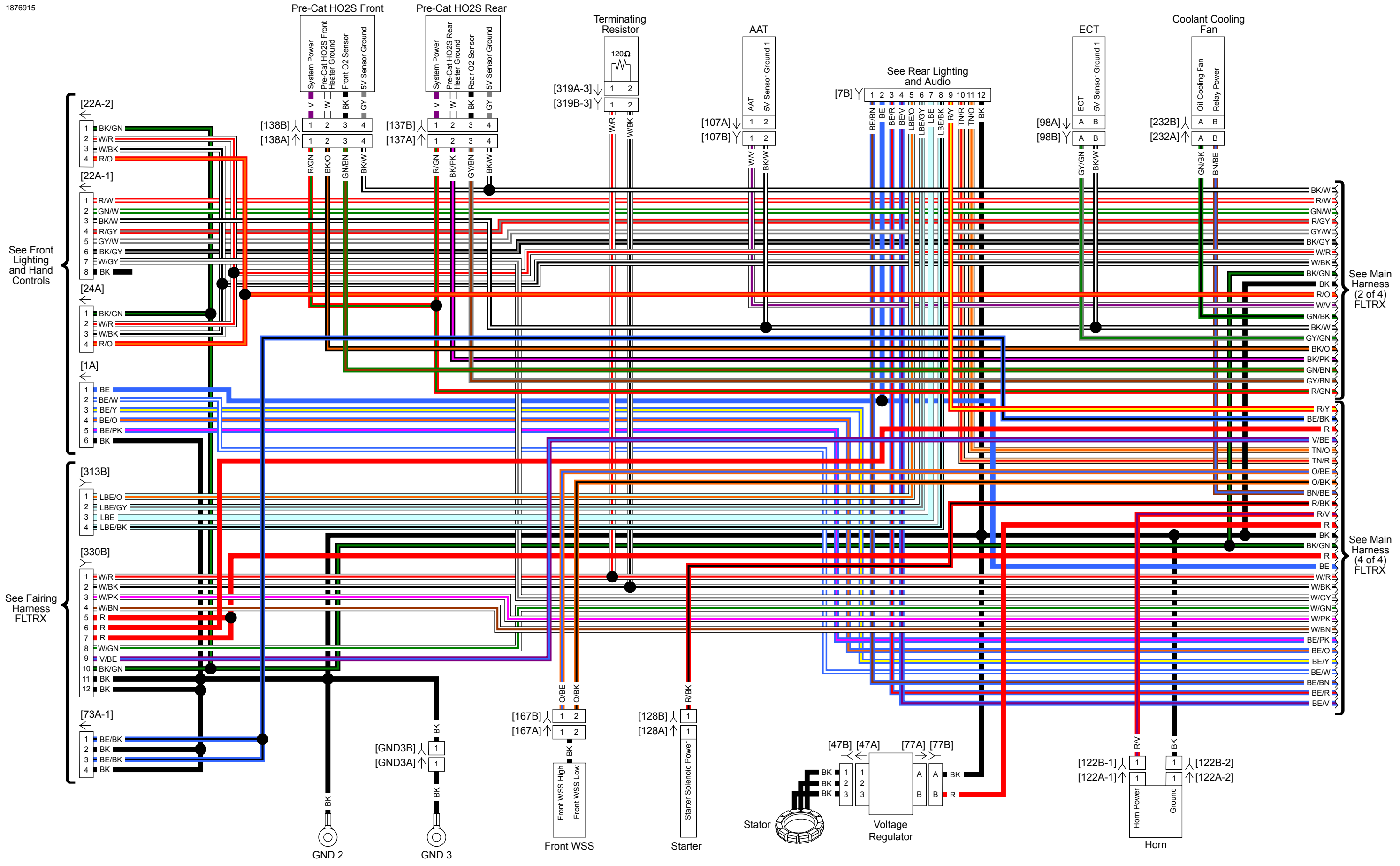


See Main Harness (1 of 4) FLTRX

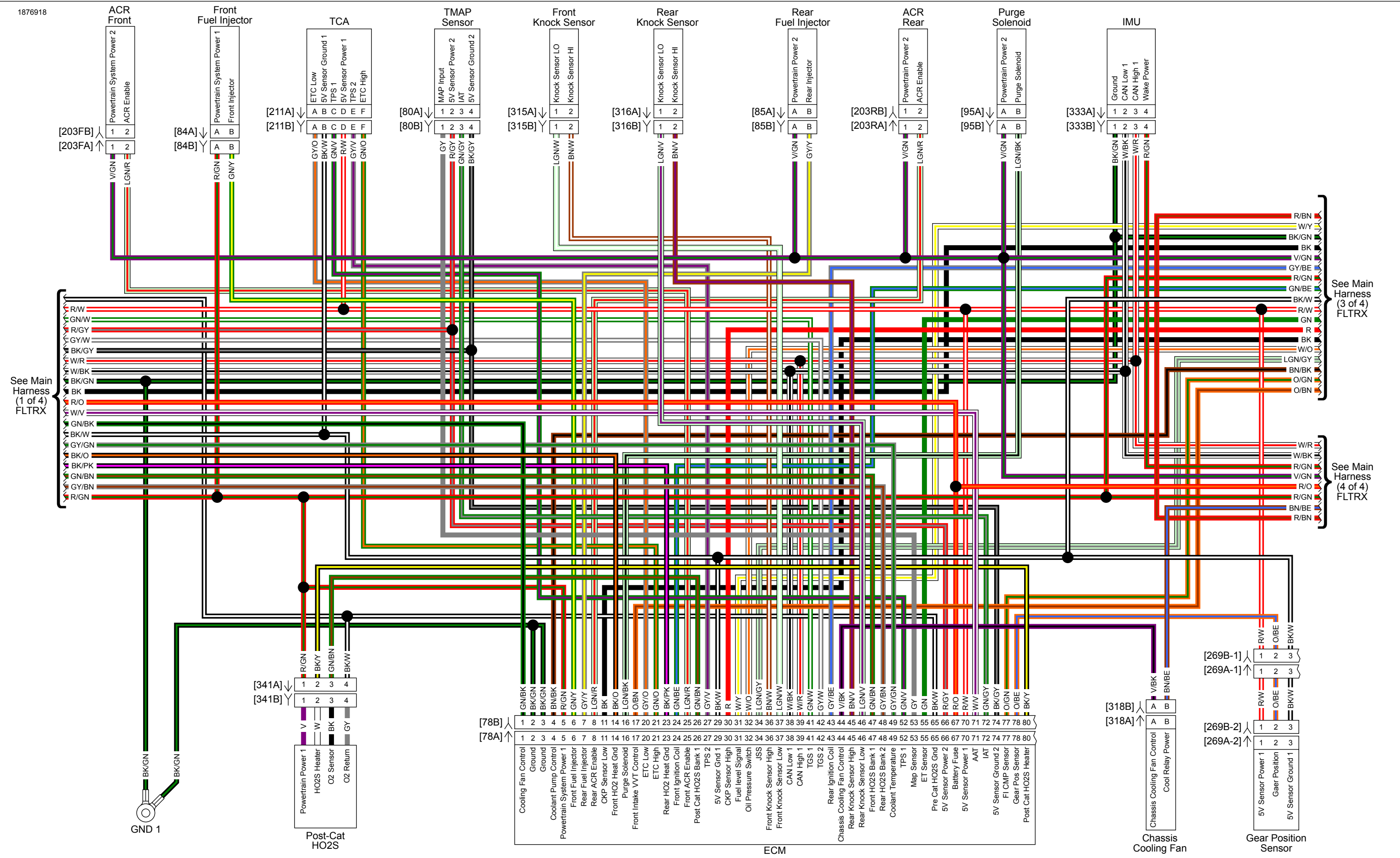
Fairing Harness: FLTRX



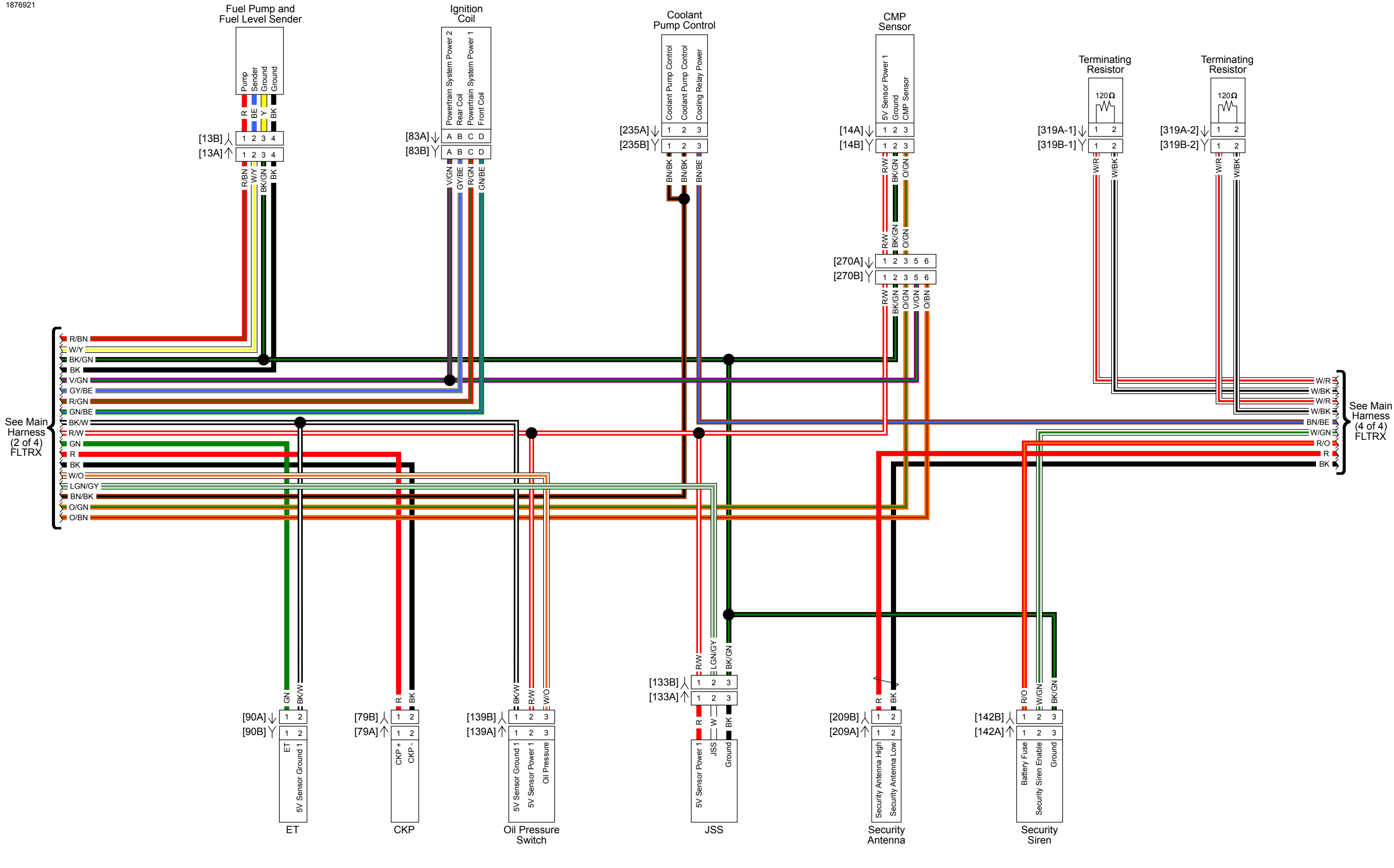
Fairing Harness: FLHX



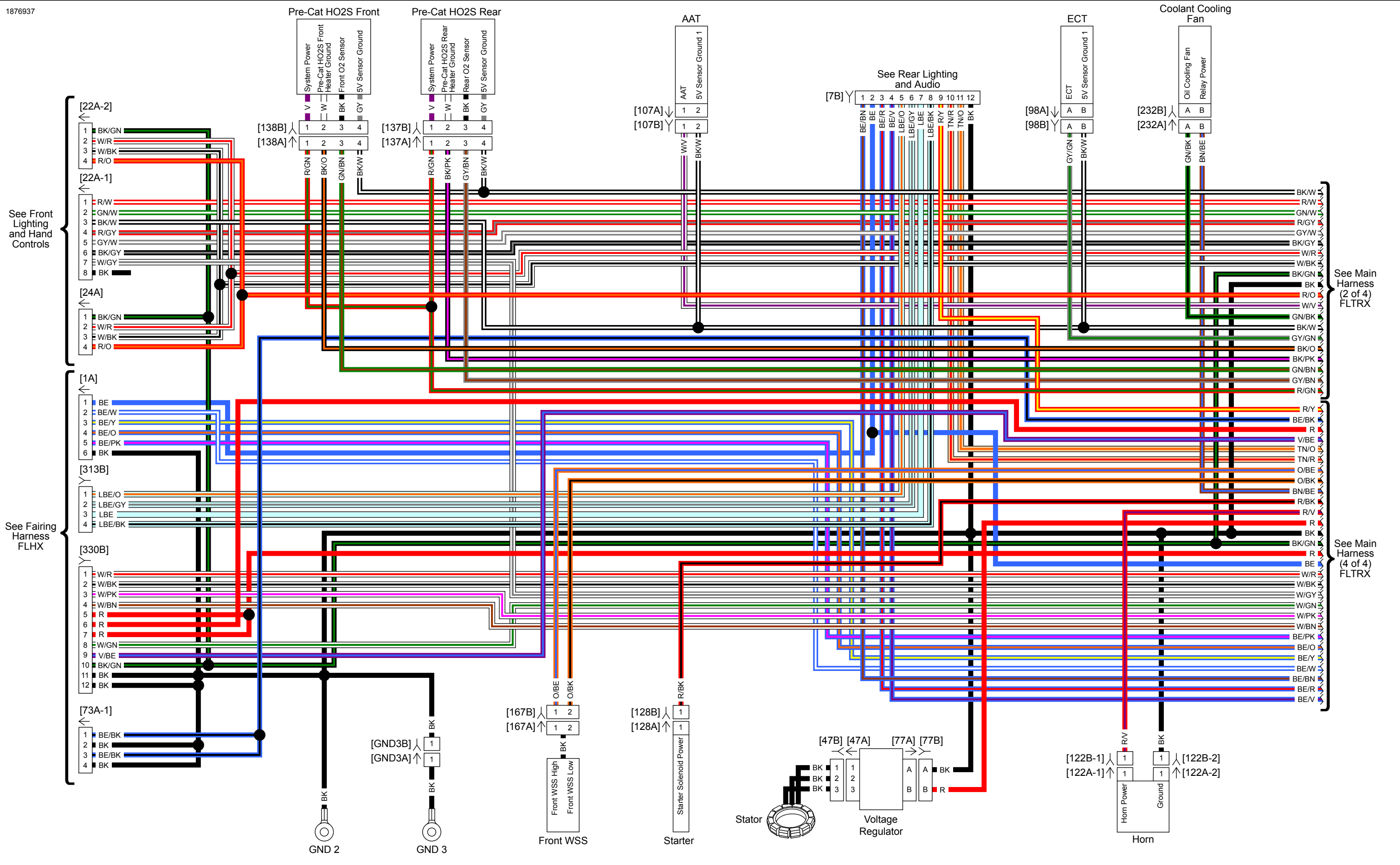
Main Harness (1 of 4): FLTRX



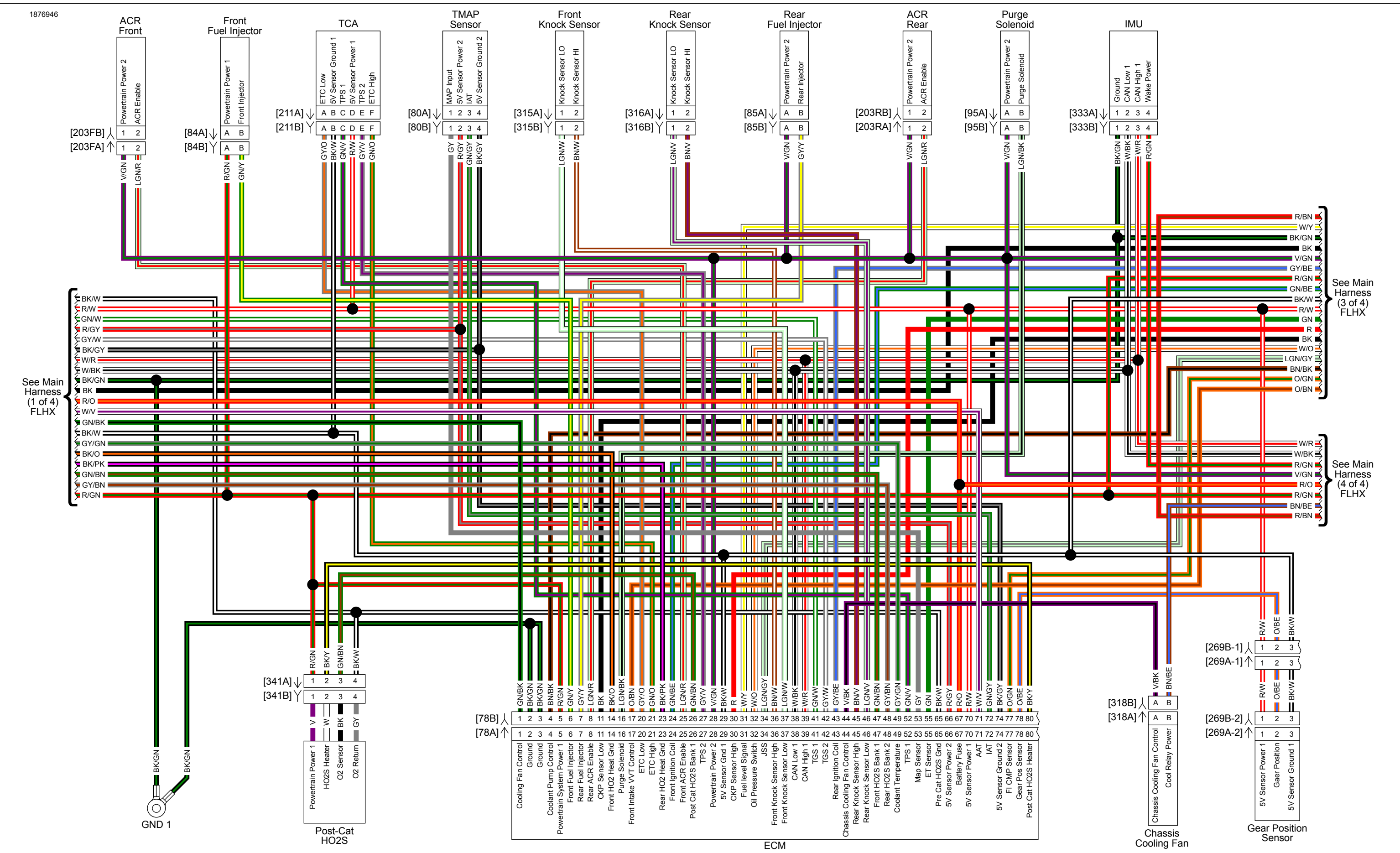
Main Harness (2 of 4): FLTRX



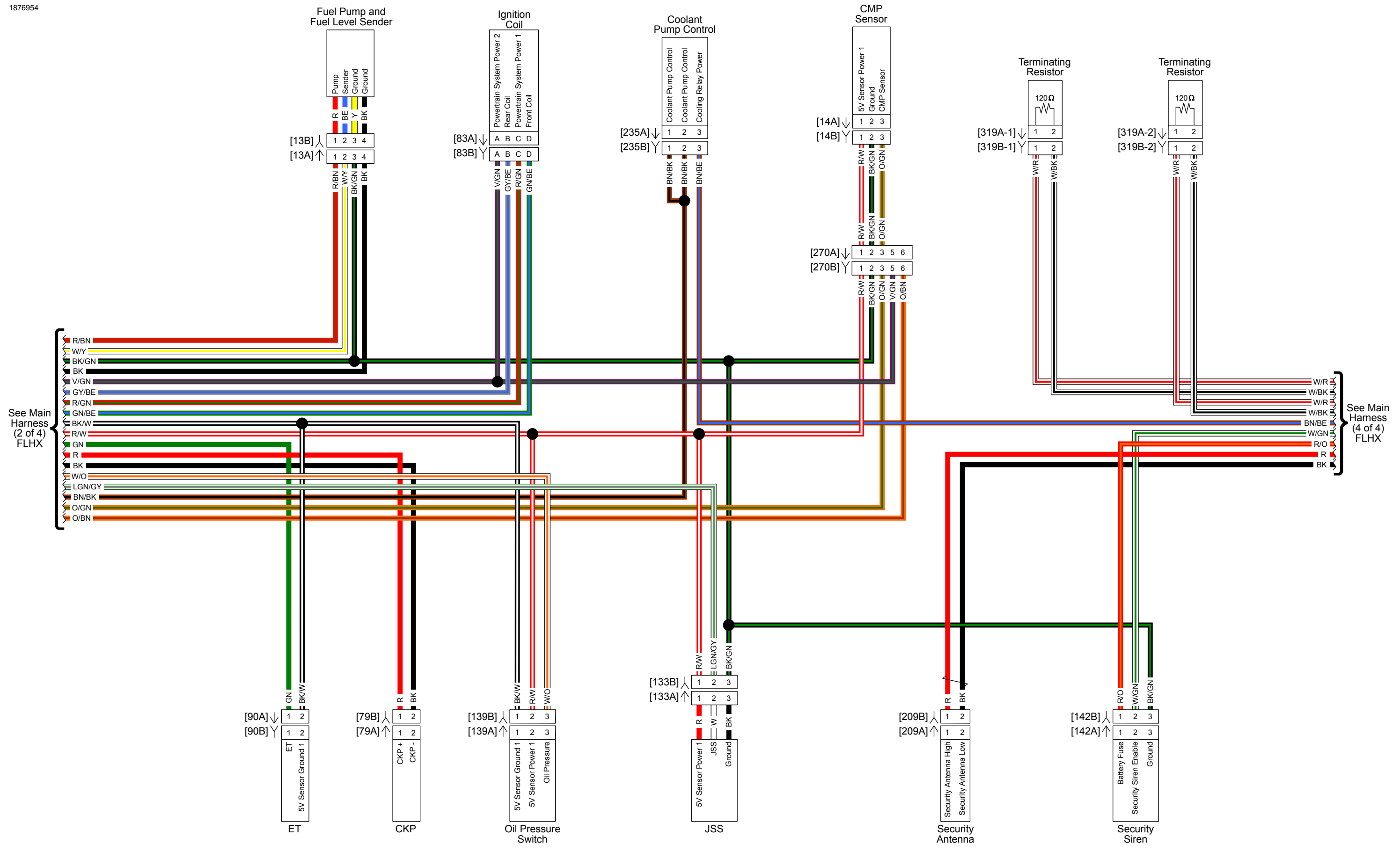
Main Harness (3 of 4): FLTRX



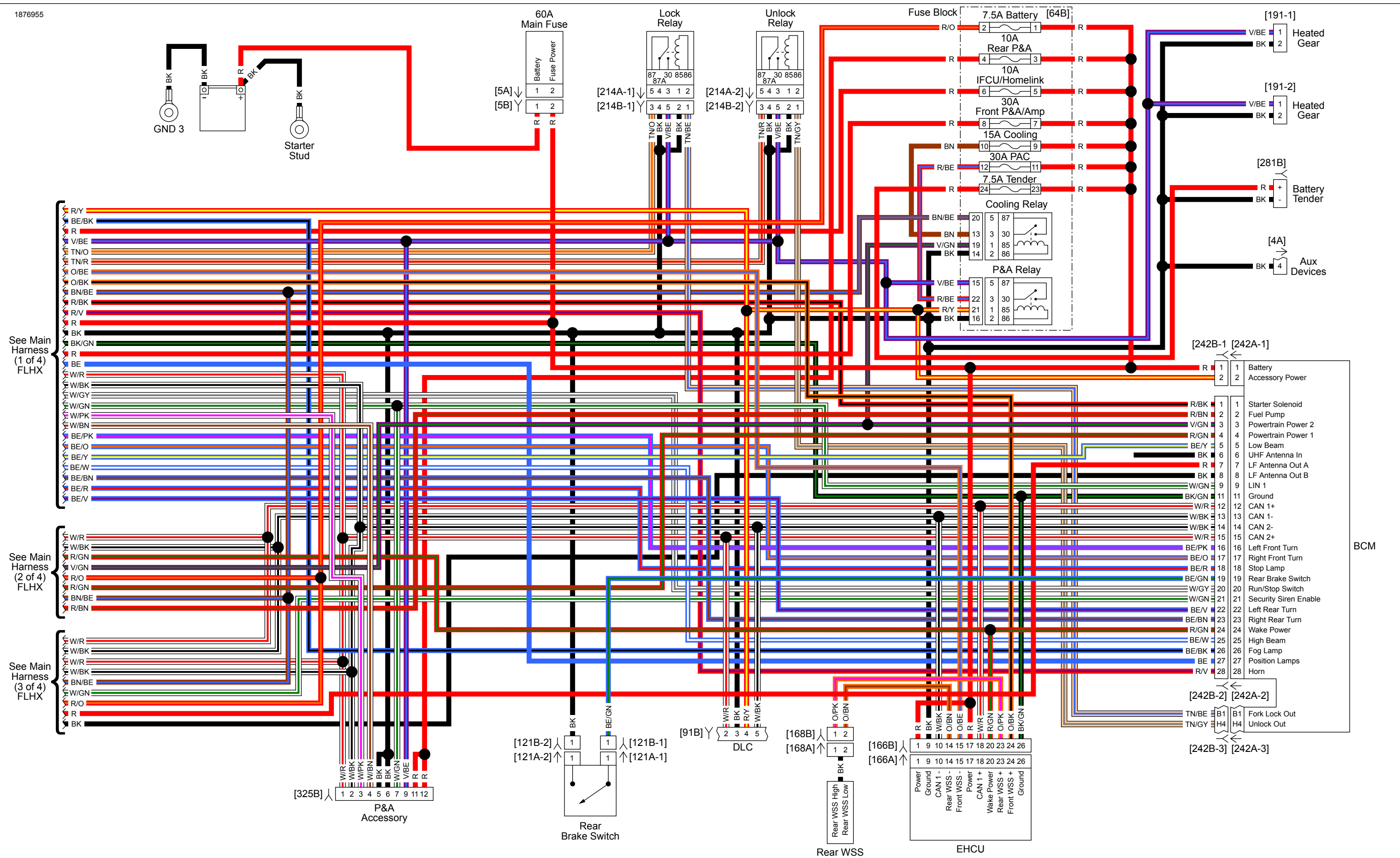
Main Harness (1 of 4): FLHX



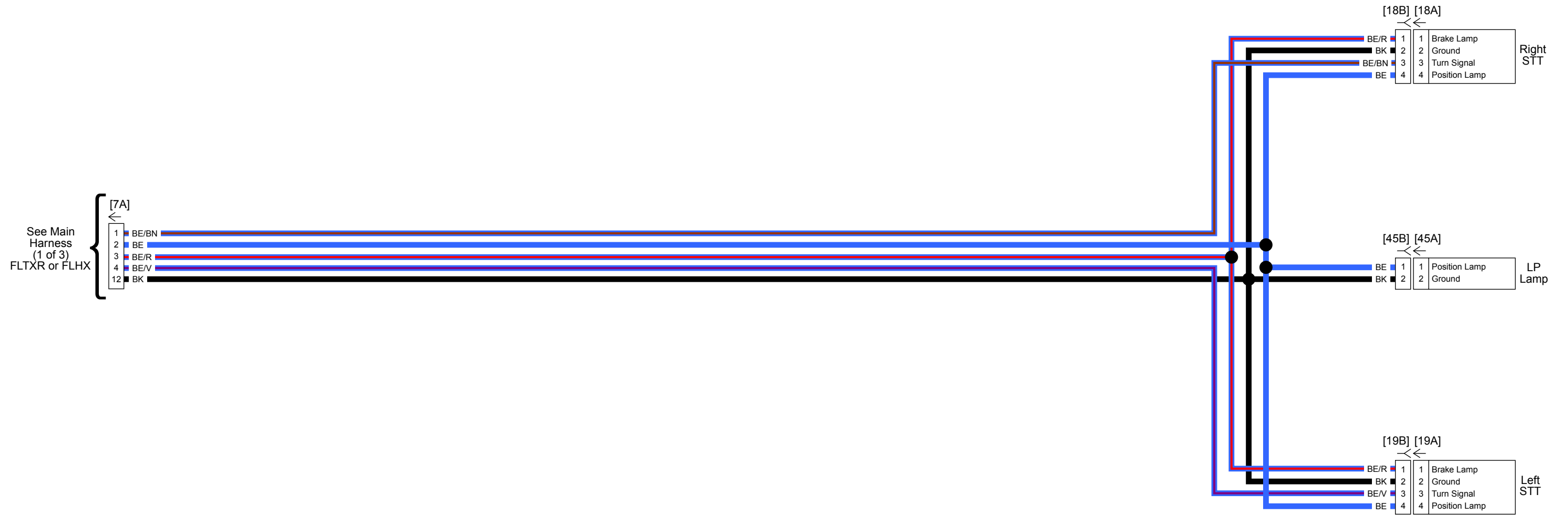
Main Harness (2 of 4): FLHX



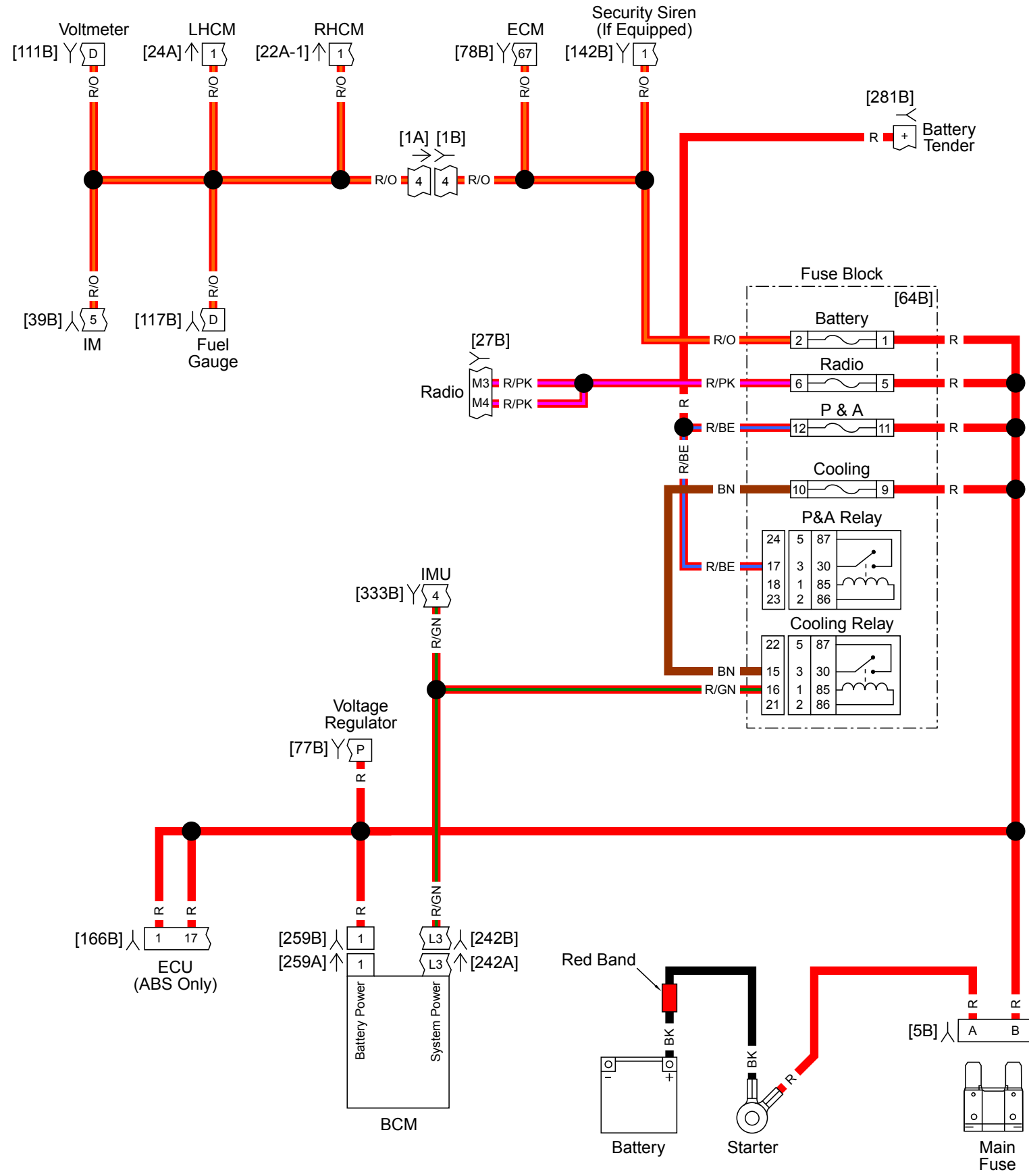
Main Harness (3 of 4): FLHX



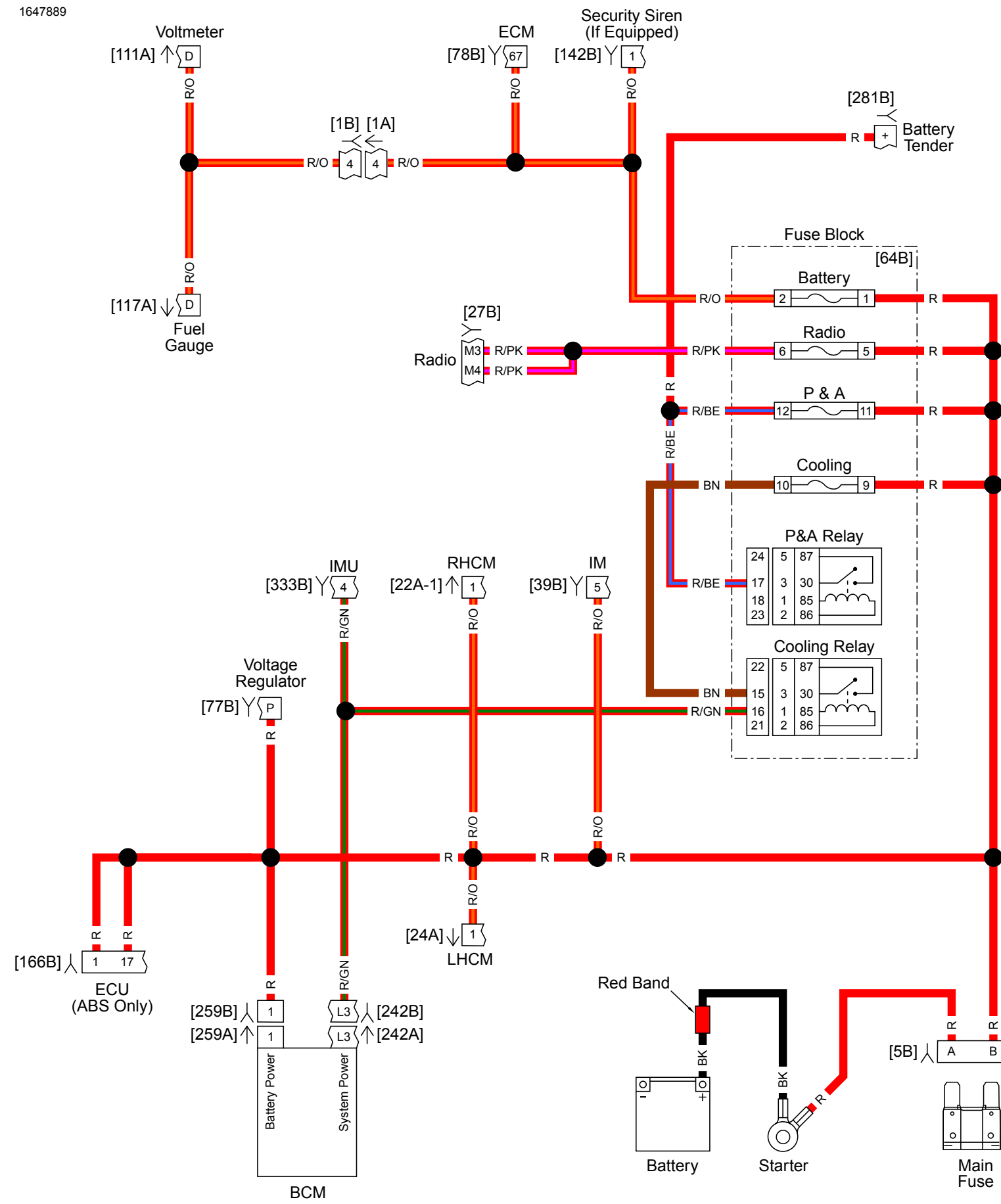
Main Harness (4 of 4): FLHX



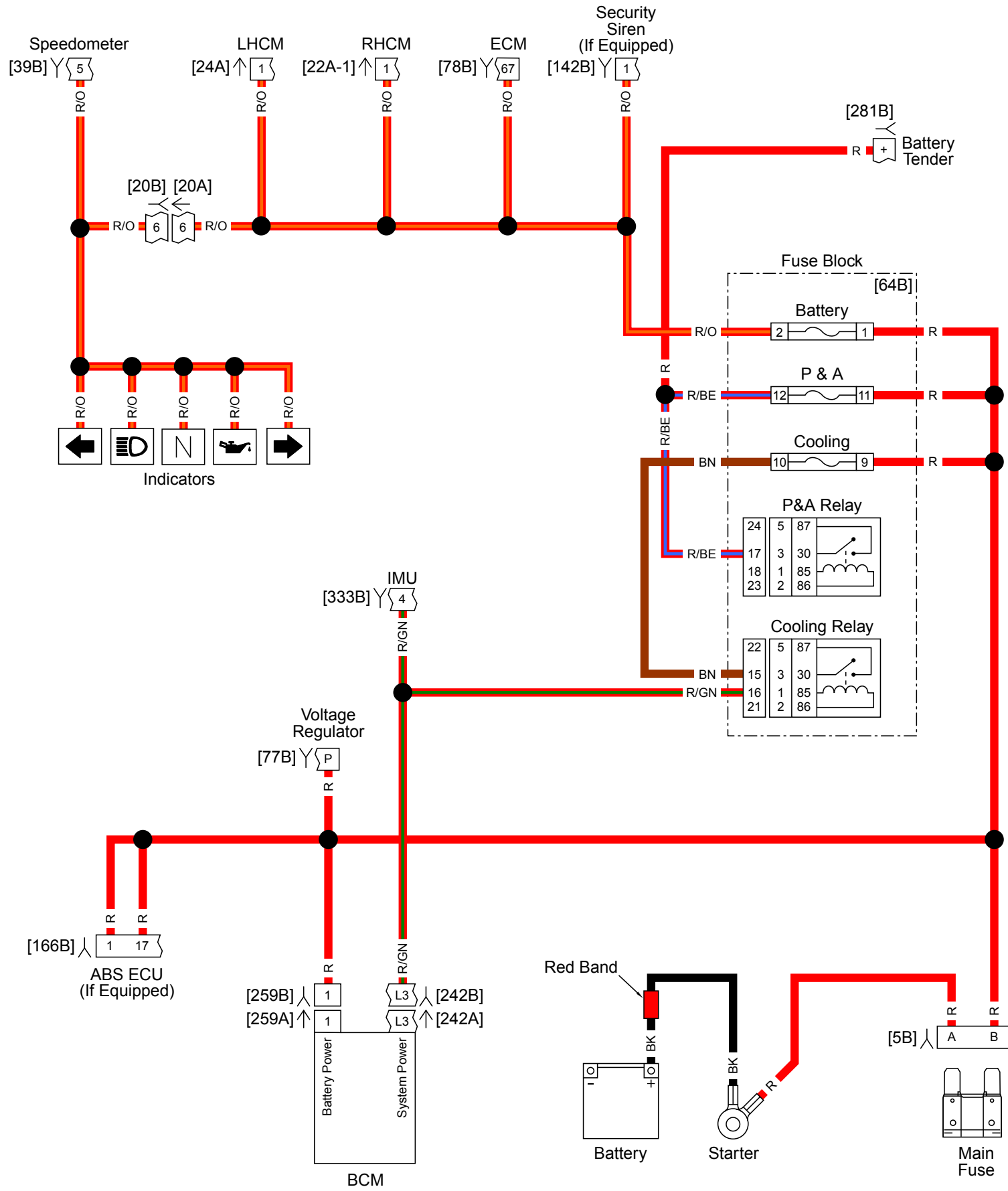
Rear Lighting and Audio: FLHX, FLTRX



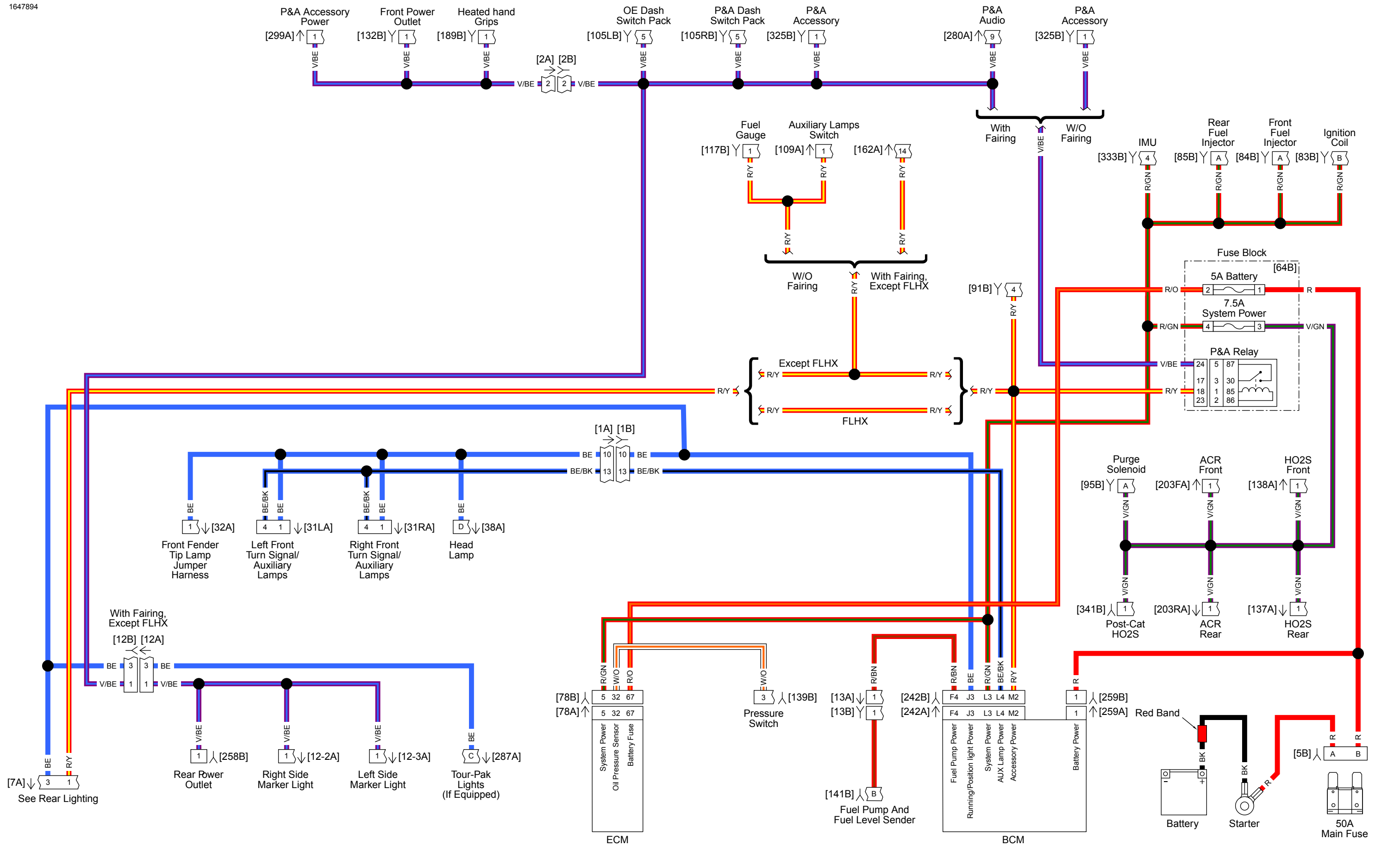
Battery Power Distribution: FLH with Fairing



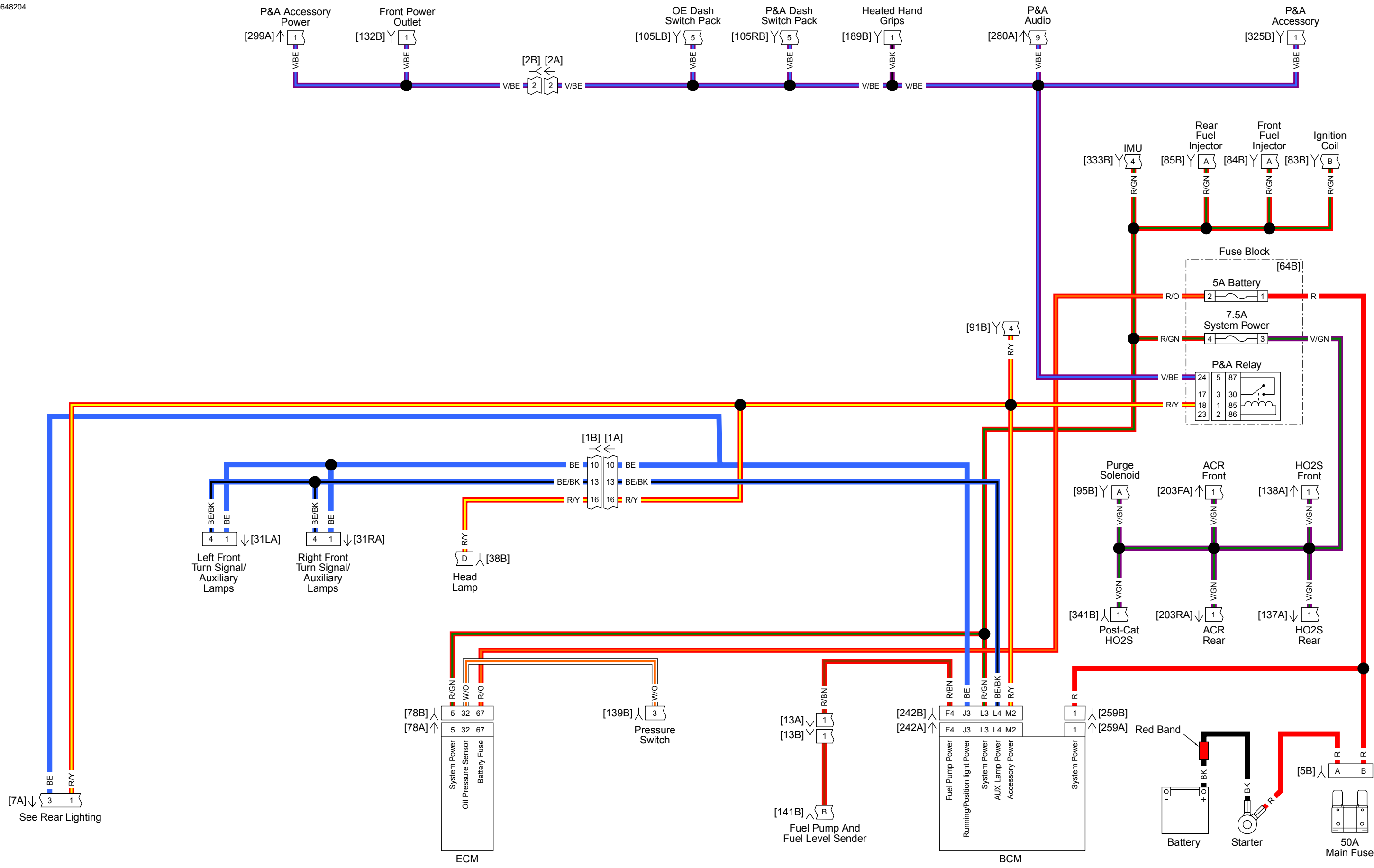
Battery Power Distribution: FLT



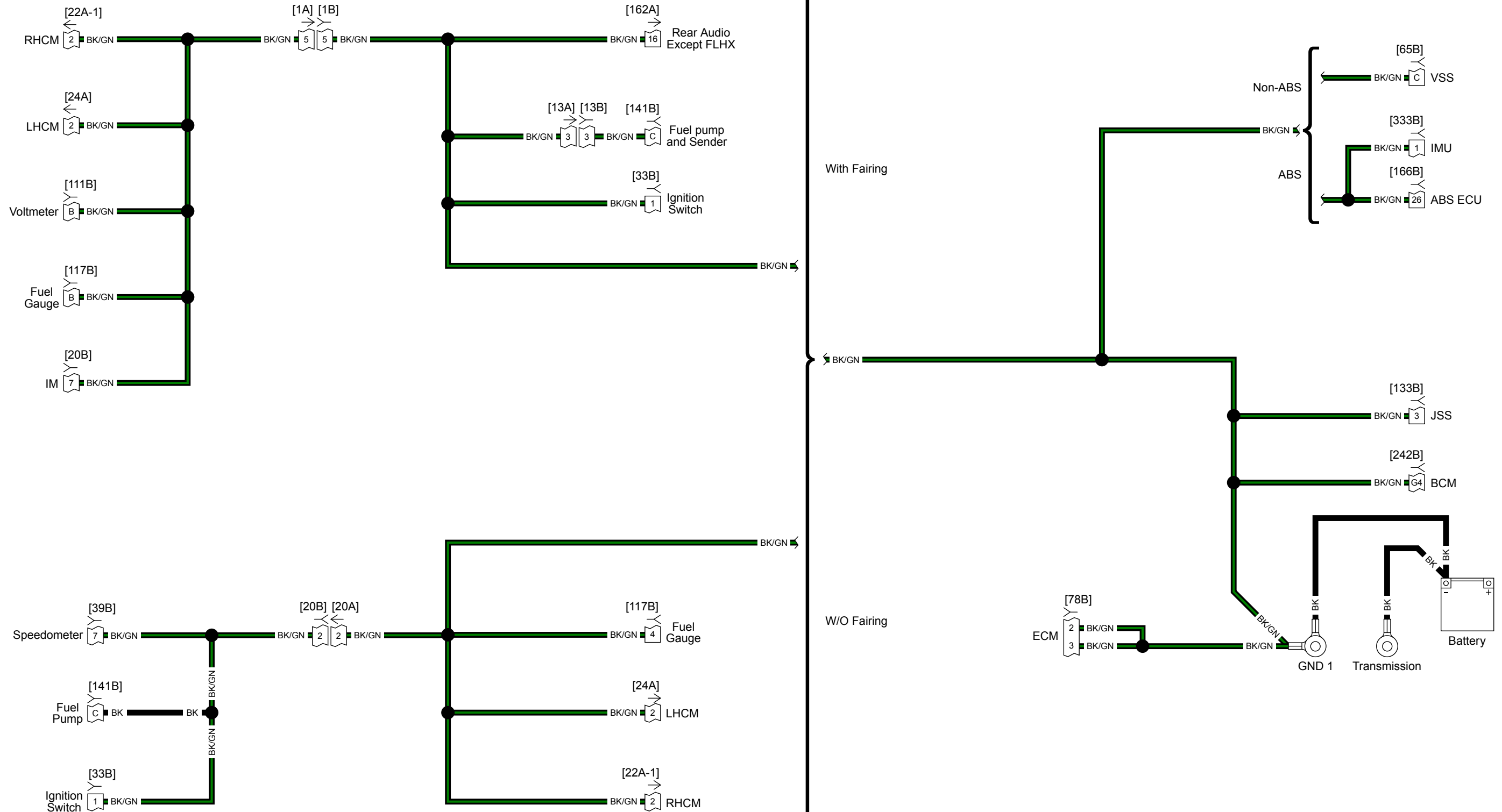
Battery Power Distribution without Fairing



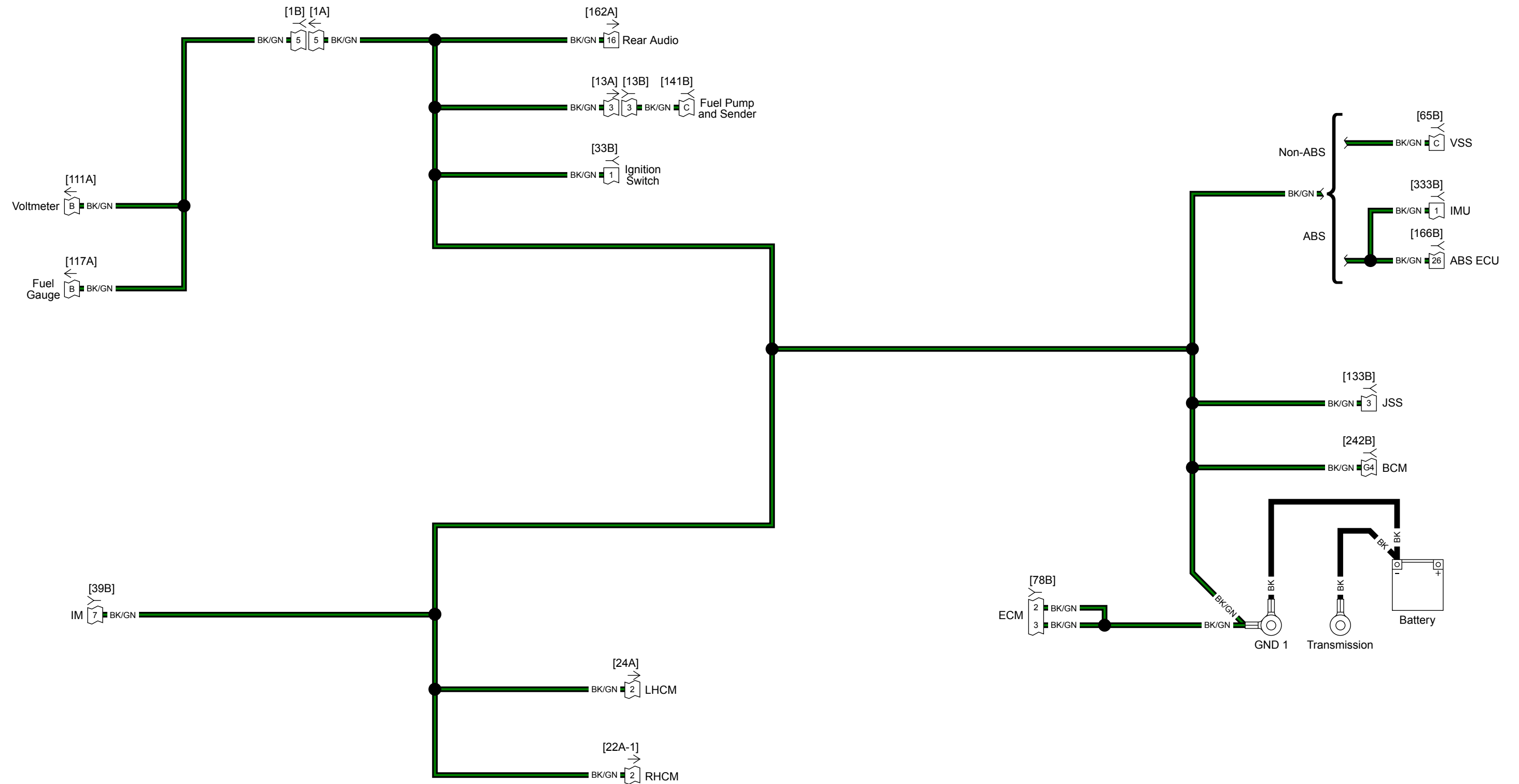
Ignition and ACC: FLH



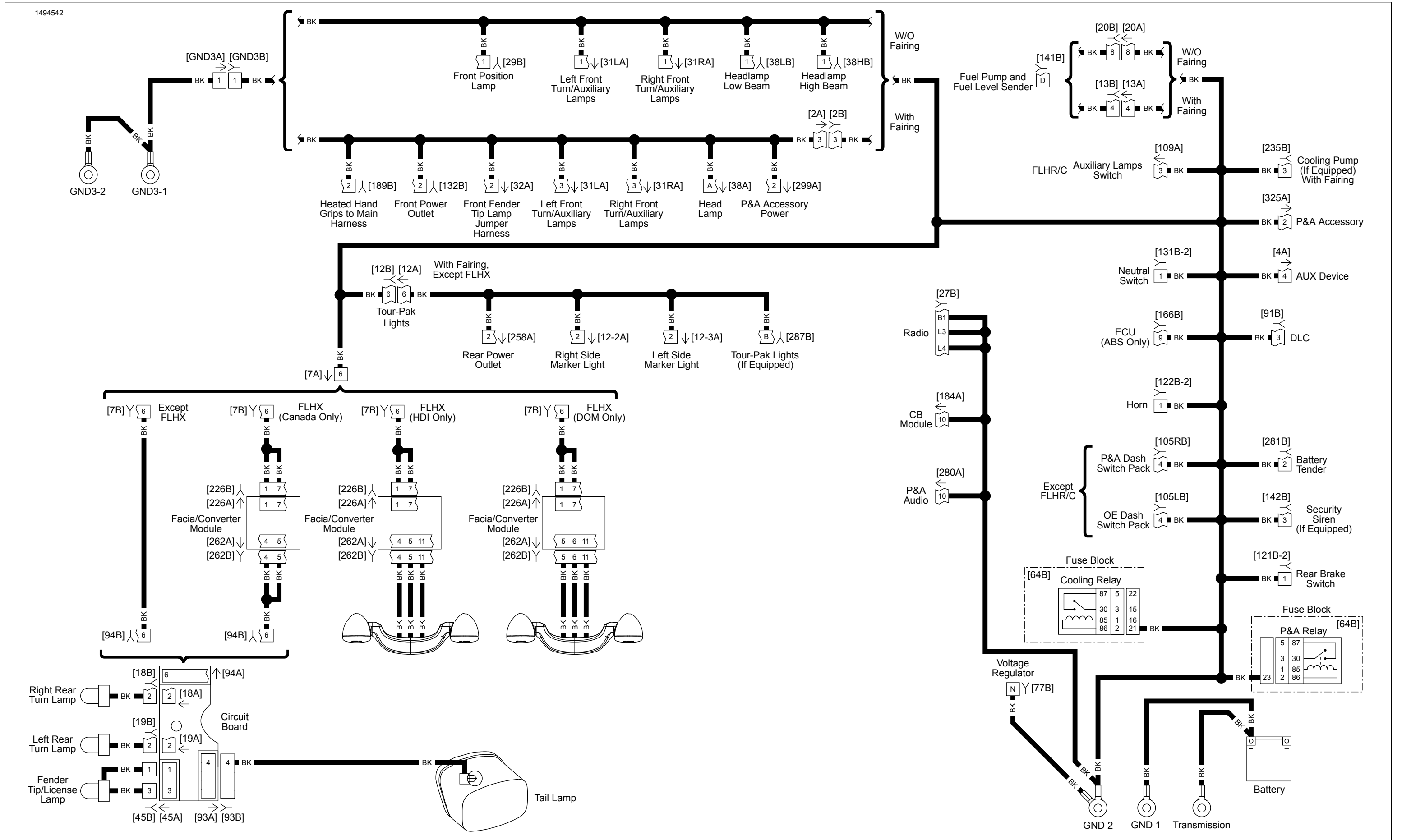
Ignition and ACC: FLT



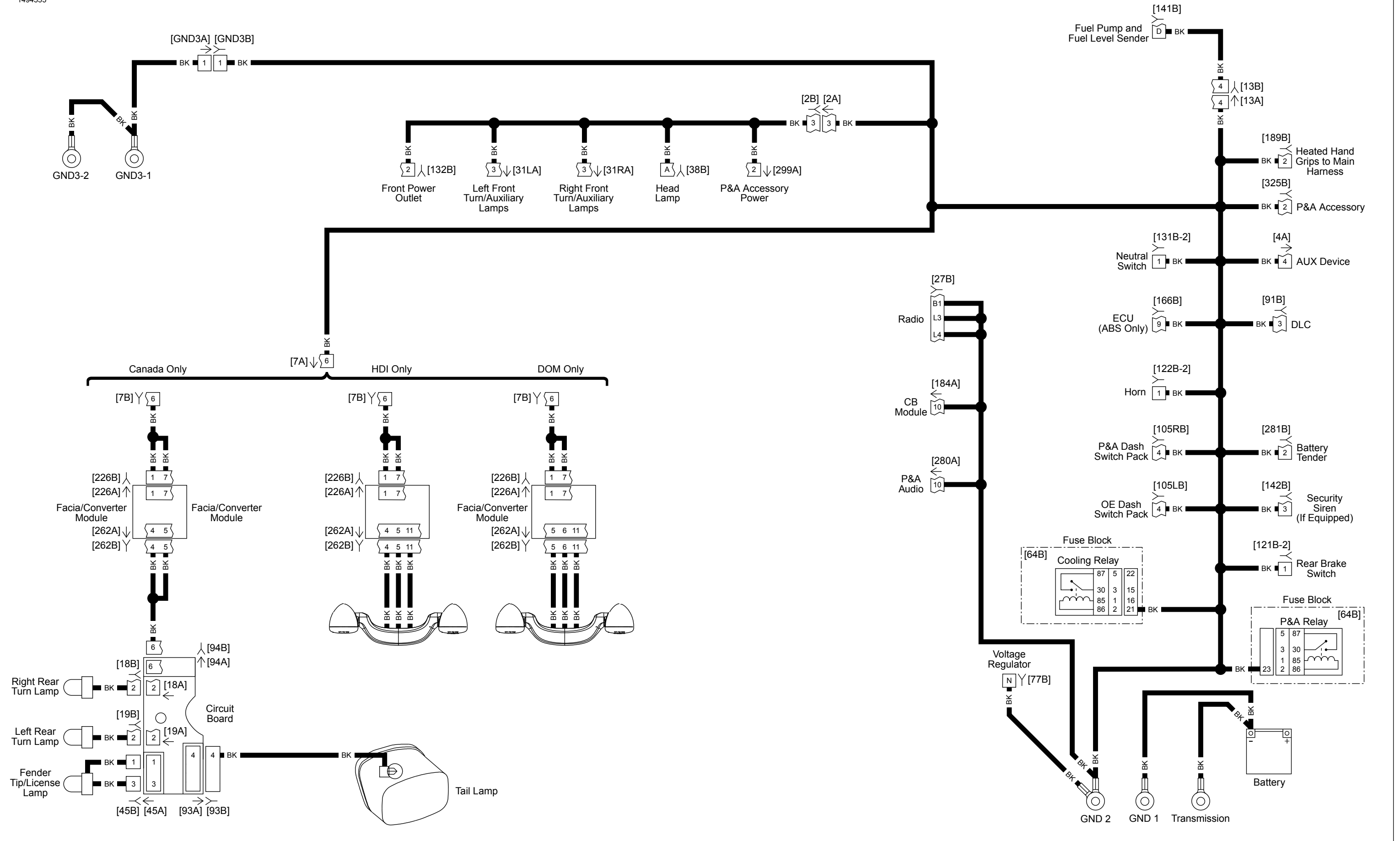
Sensor Grounds: FLH



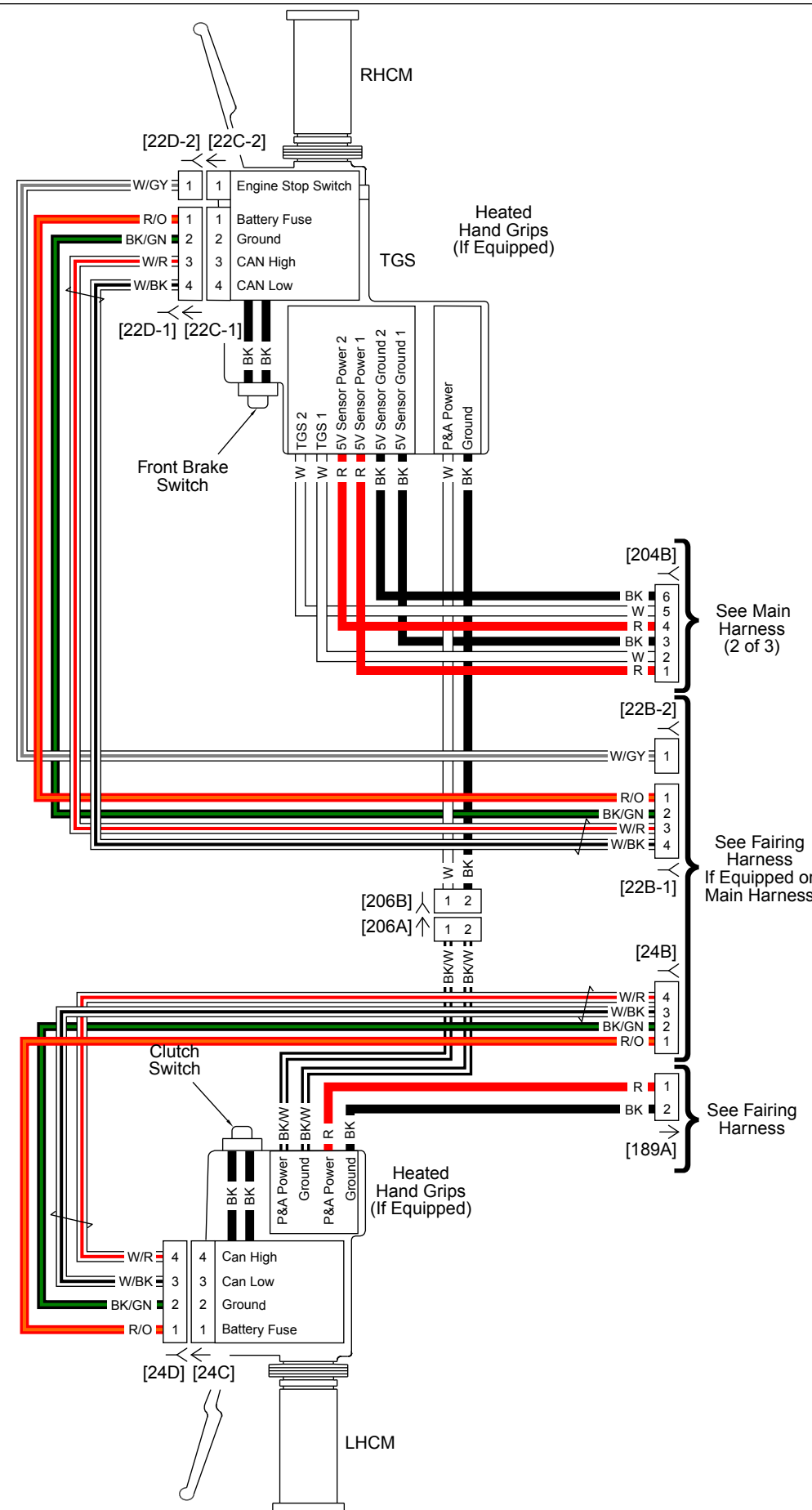
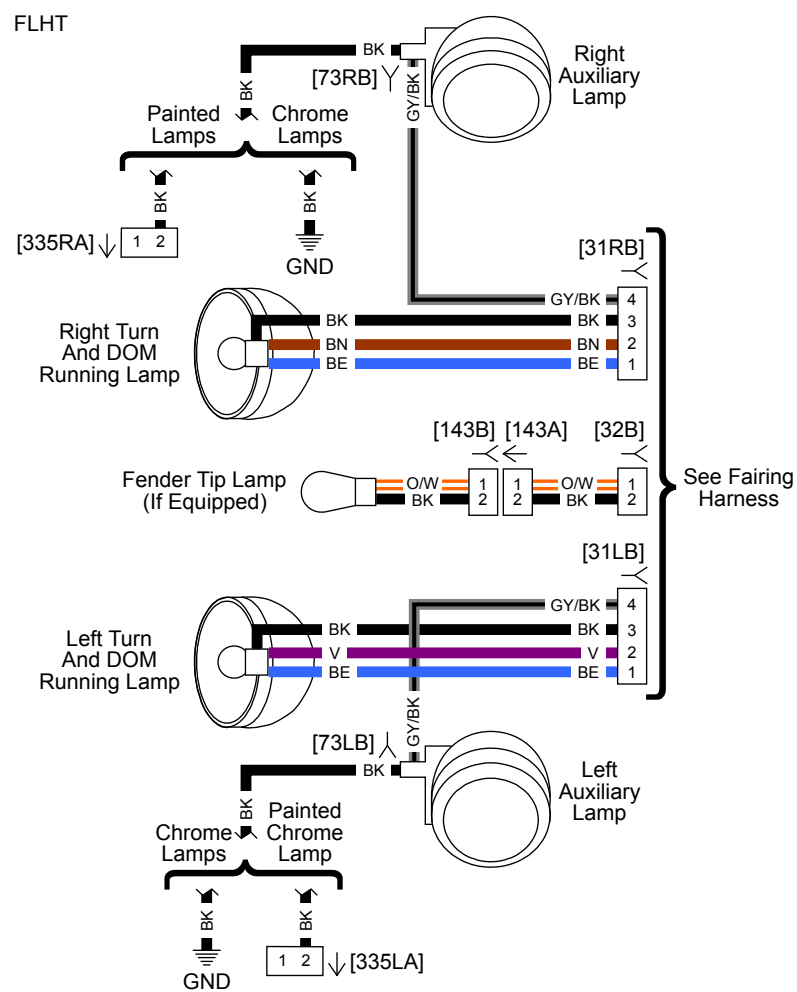
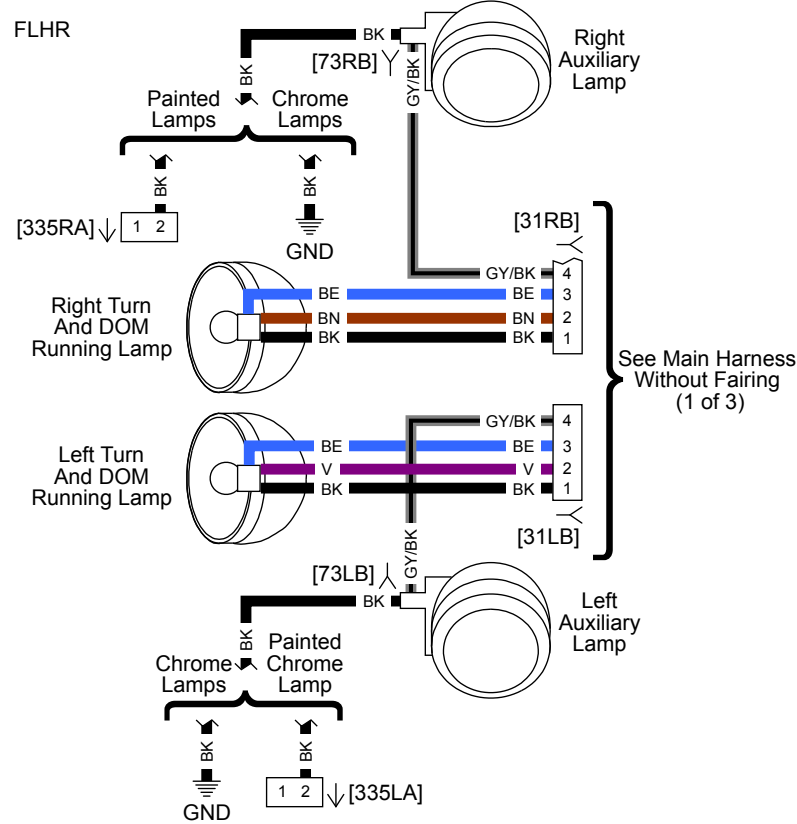
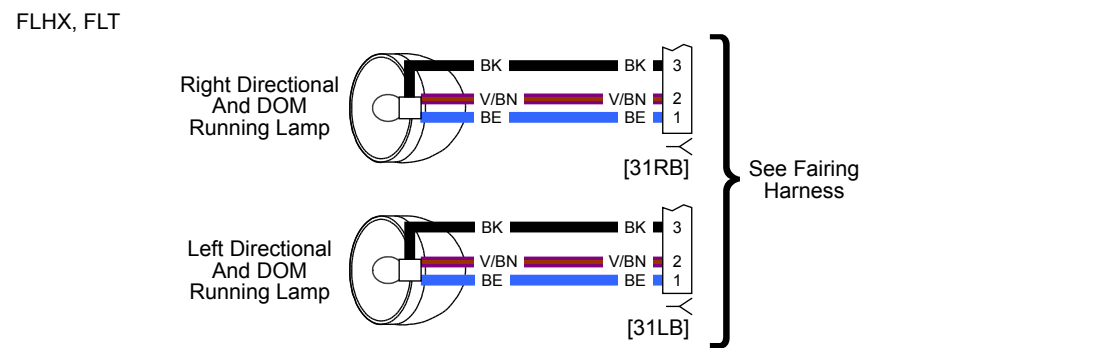
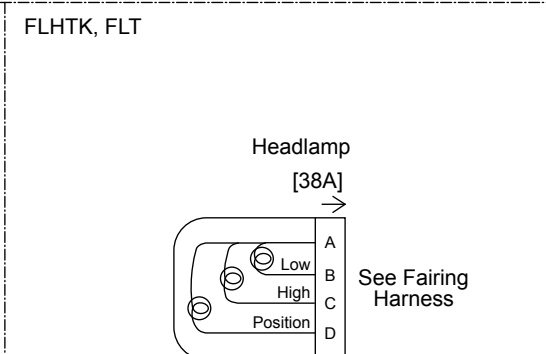
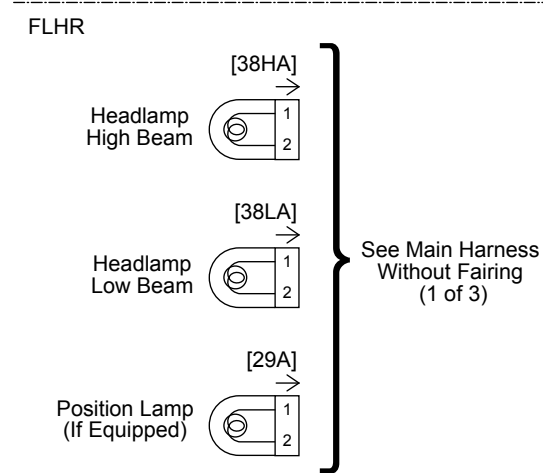
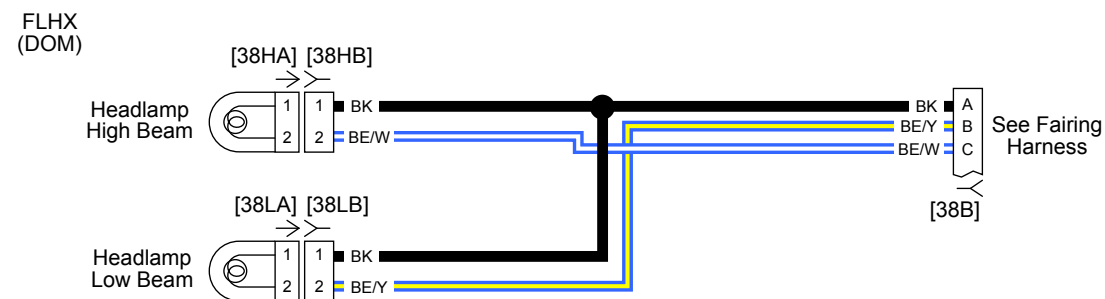
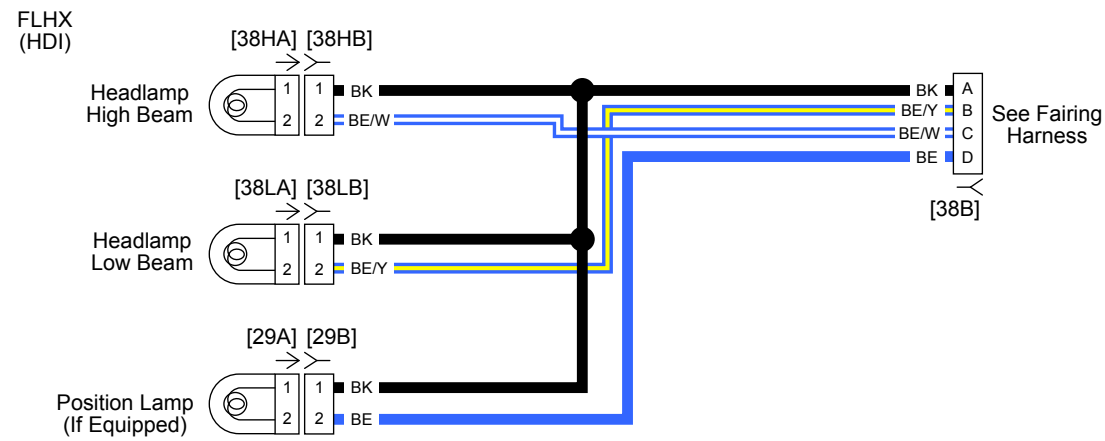
Sensor Grounds: FLT



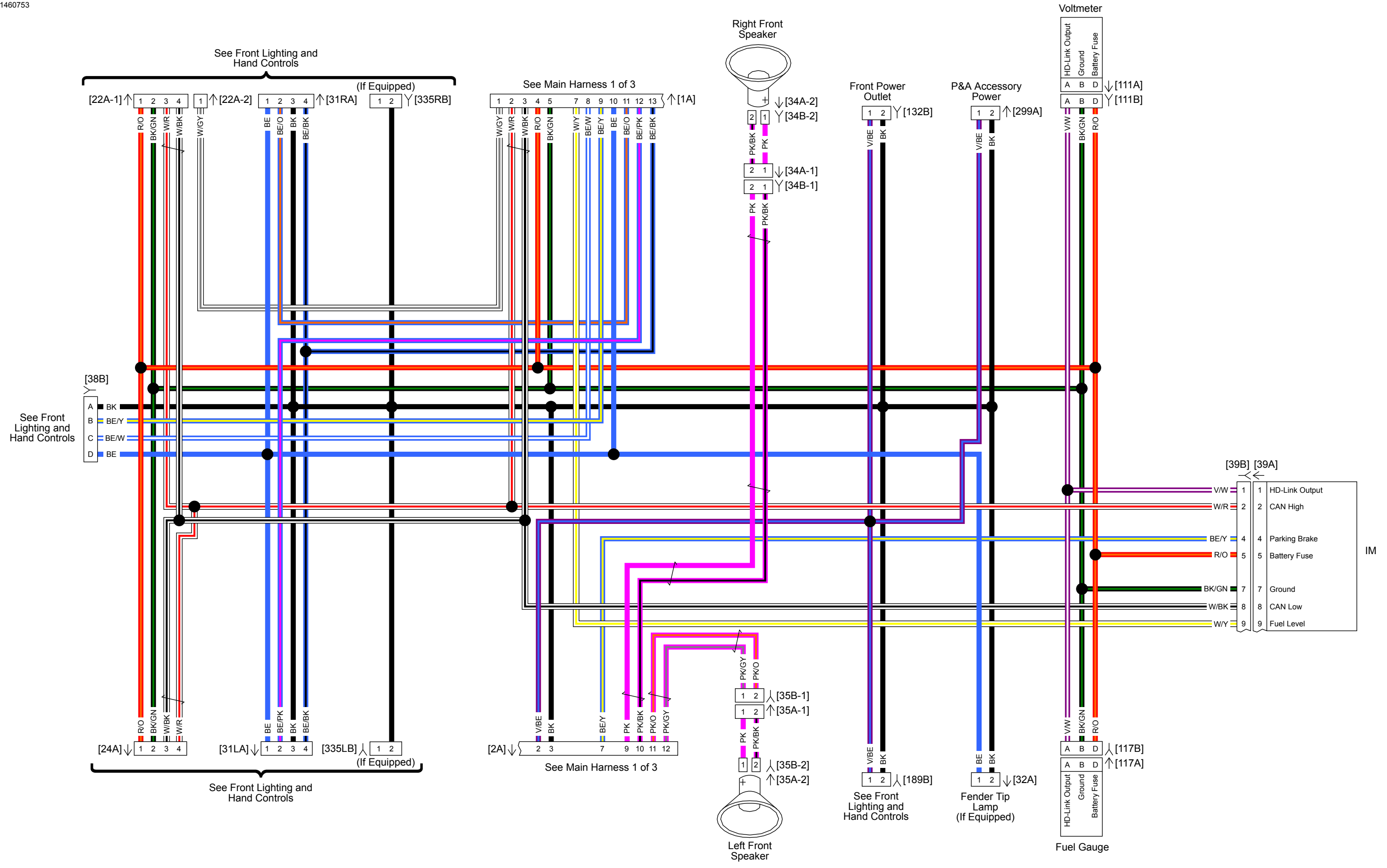
Ground Circuit: FLH



Ground Circuit: FLT

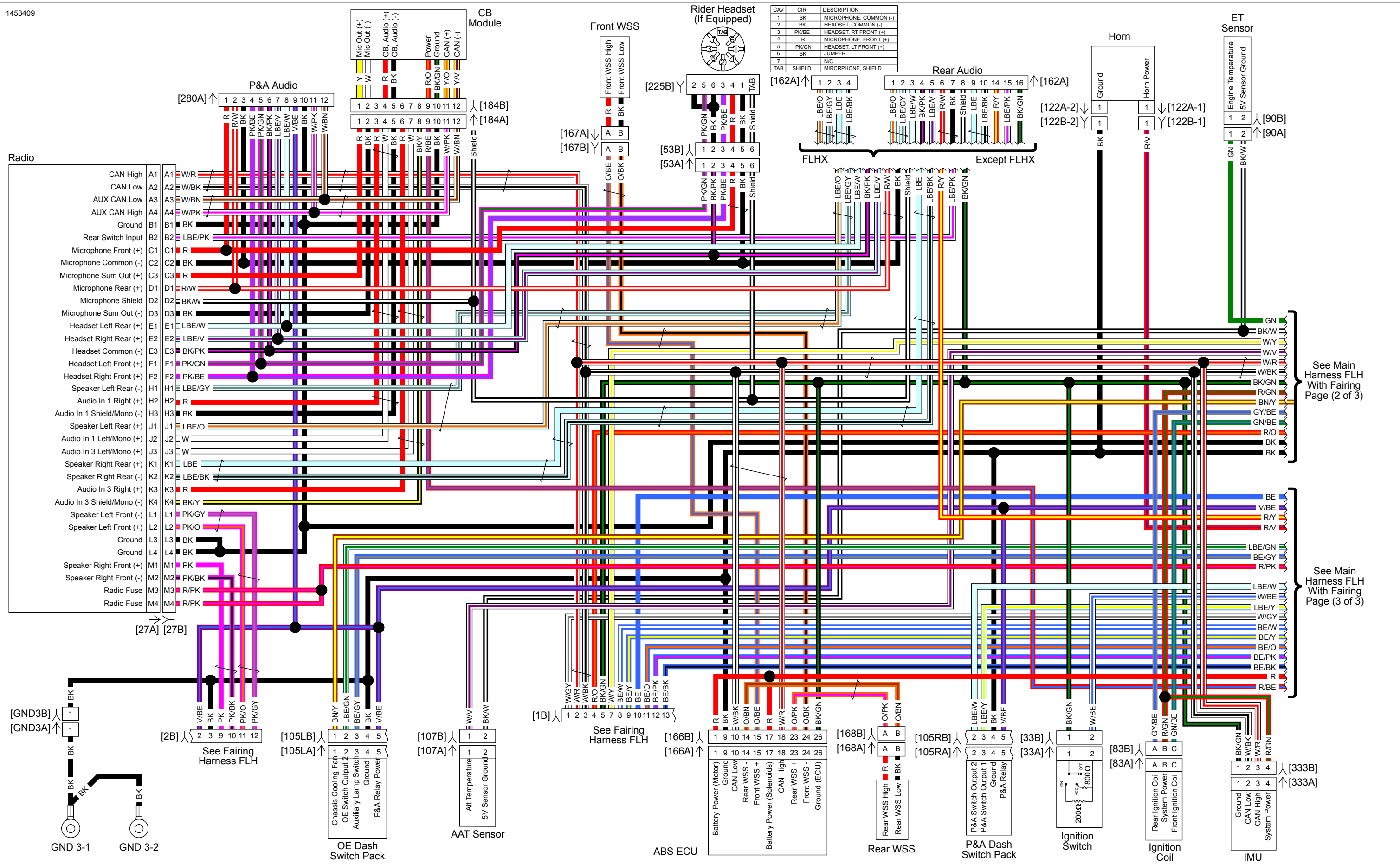


Front Lighting and Hand Controls

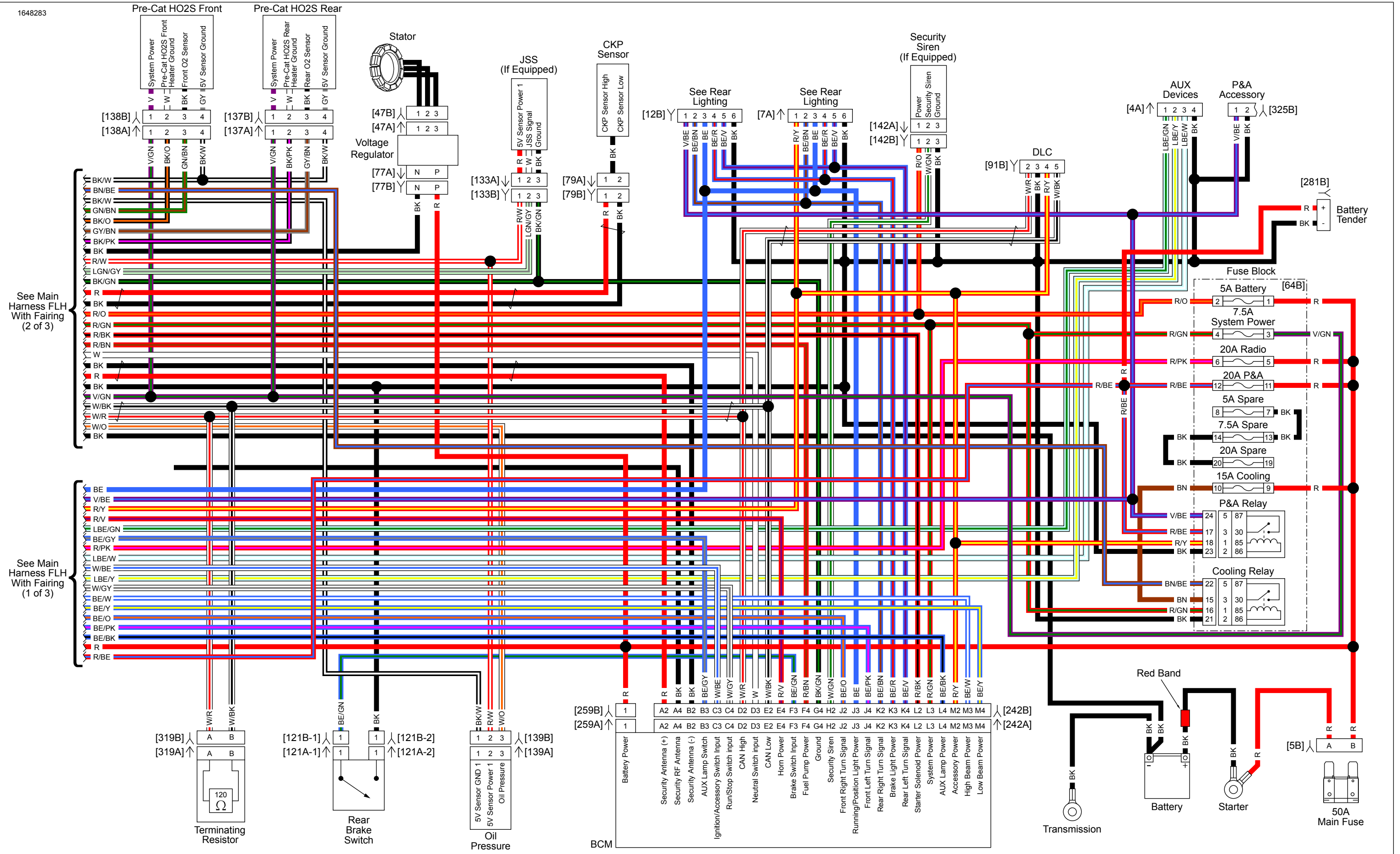


[39B]	[39A]	Terminal	Function
1	1	V/W	HD-Link Output
2	2	W/R	CAN High
4	4	BE/Y	Parking Brake
5	5	R/O	Battery Fuse
7	7	BK/GN	Ground
8	8	W/BK	CAN Low
9	9	W/Y	Fuel Level

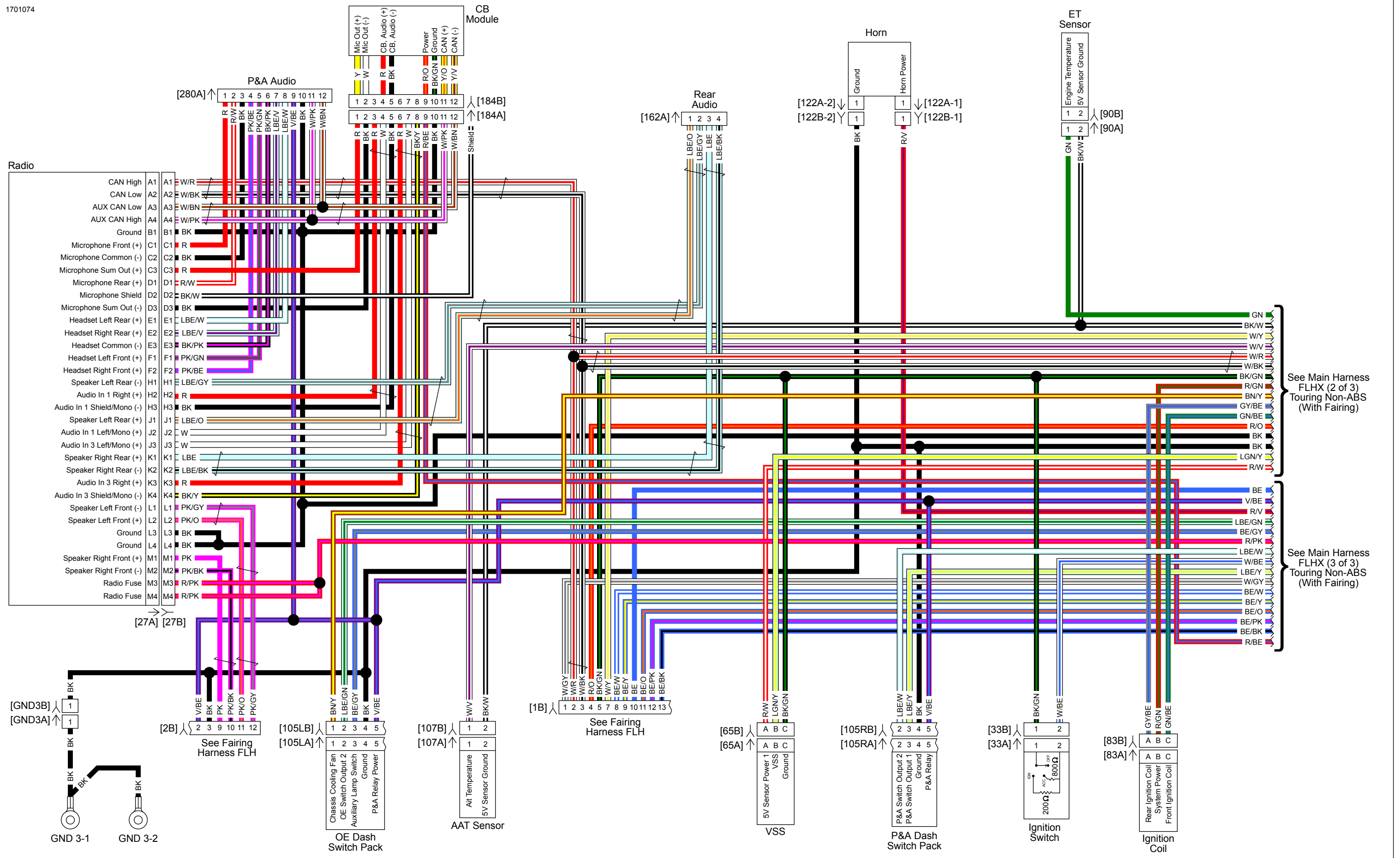
Fairing Harness: FLH



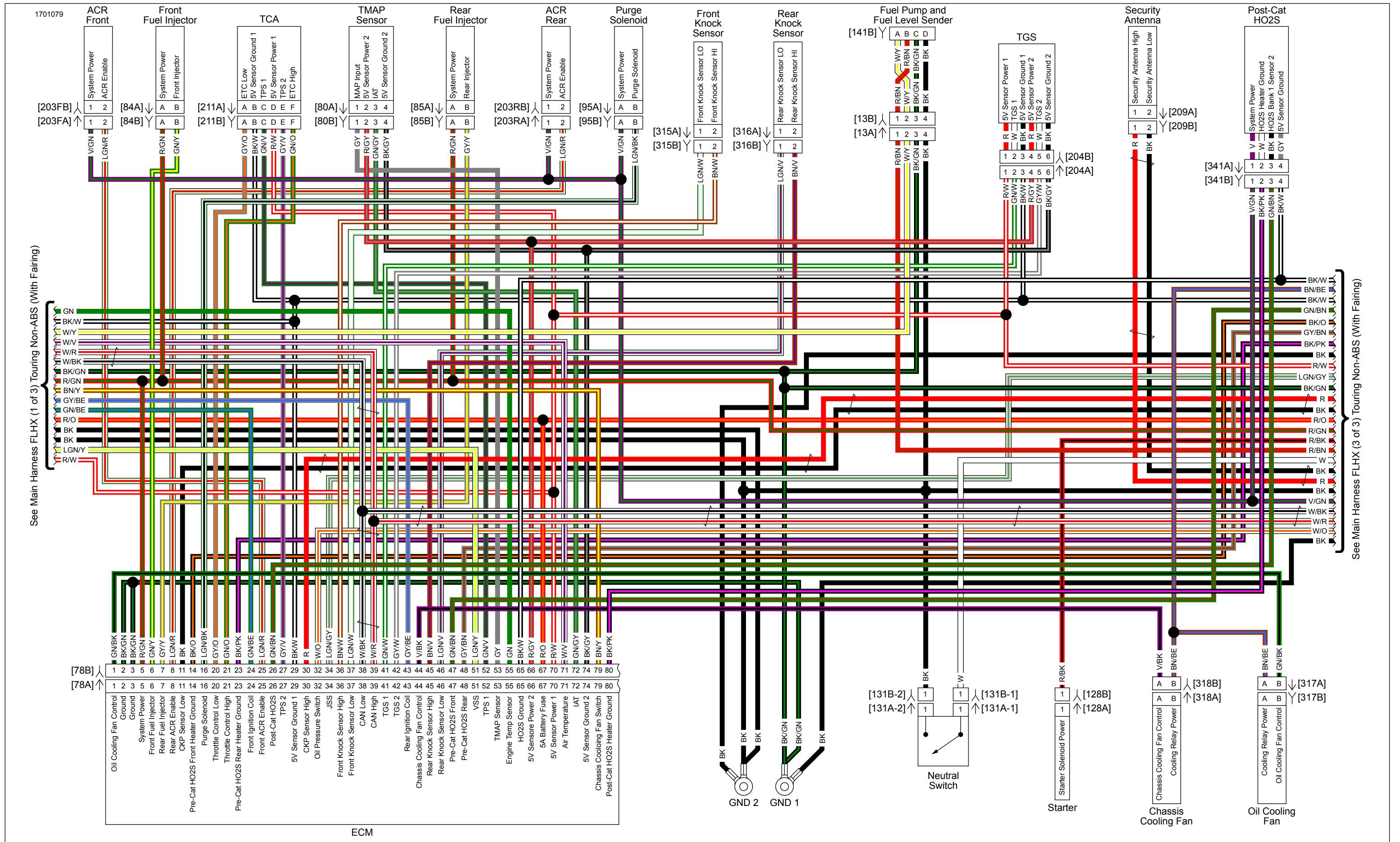
Main Harness FLH (1 of 3) (with Fairing)



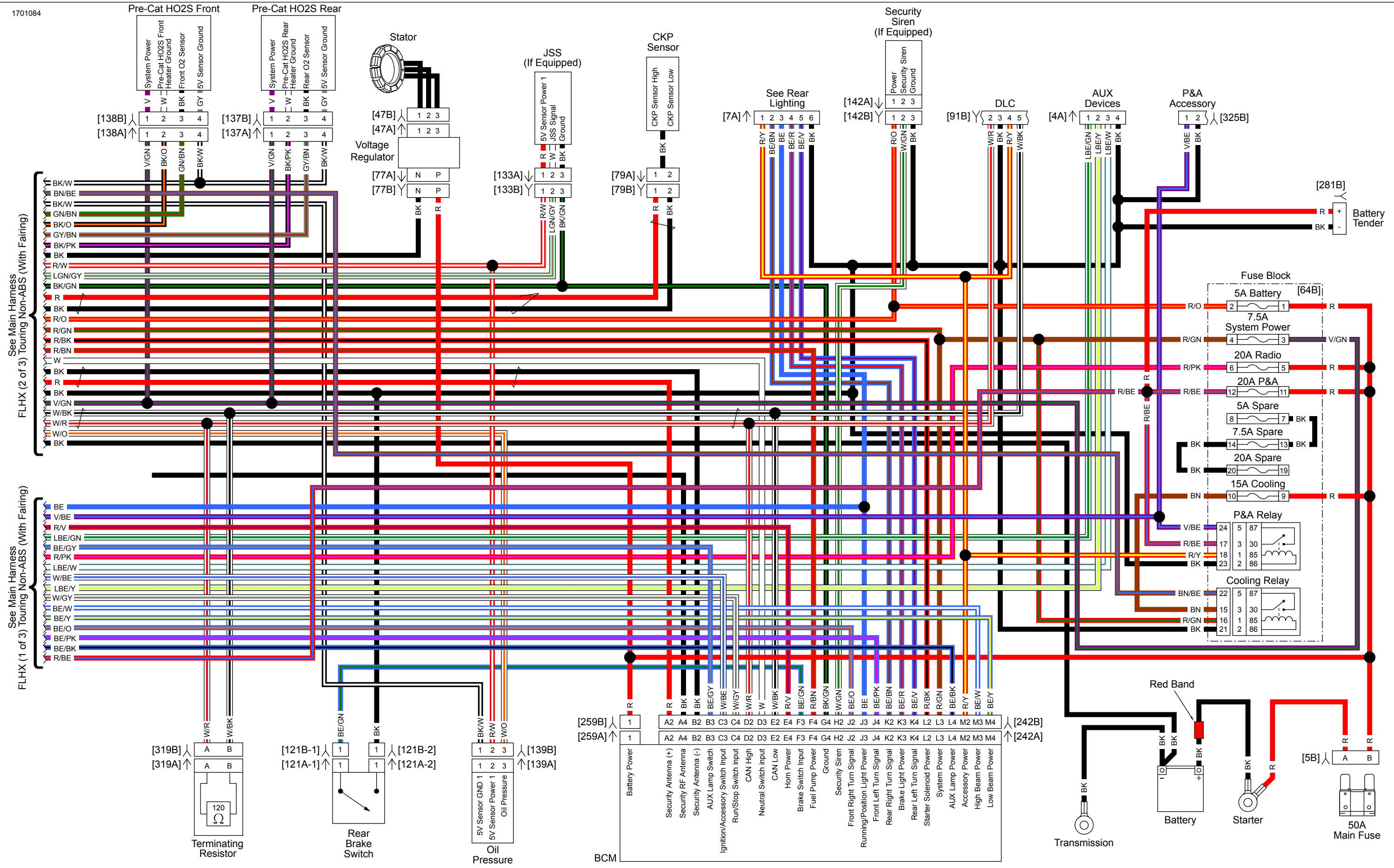
Main Harness FLH (3 of 3) (with Fairing)



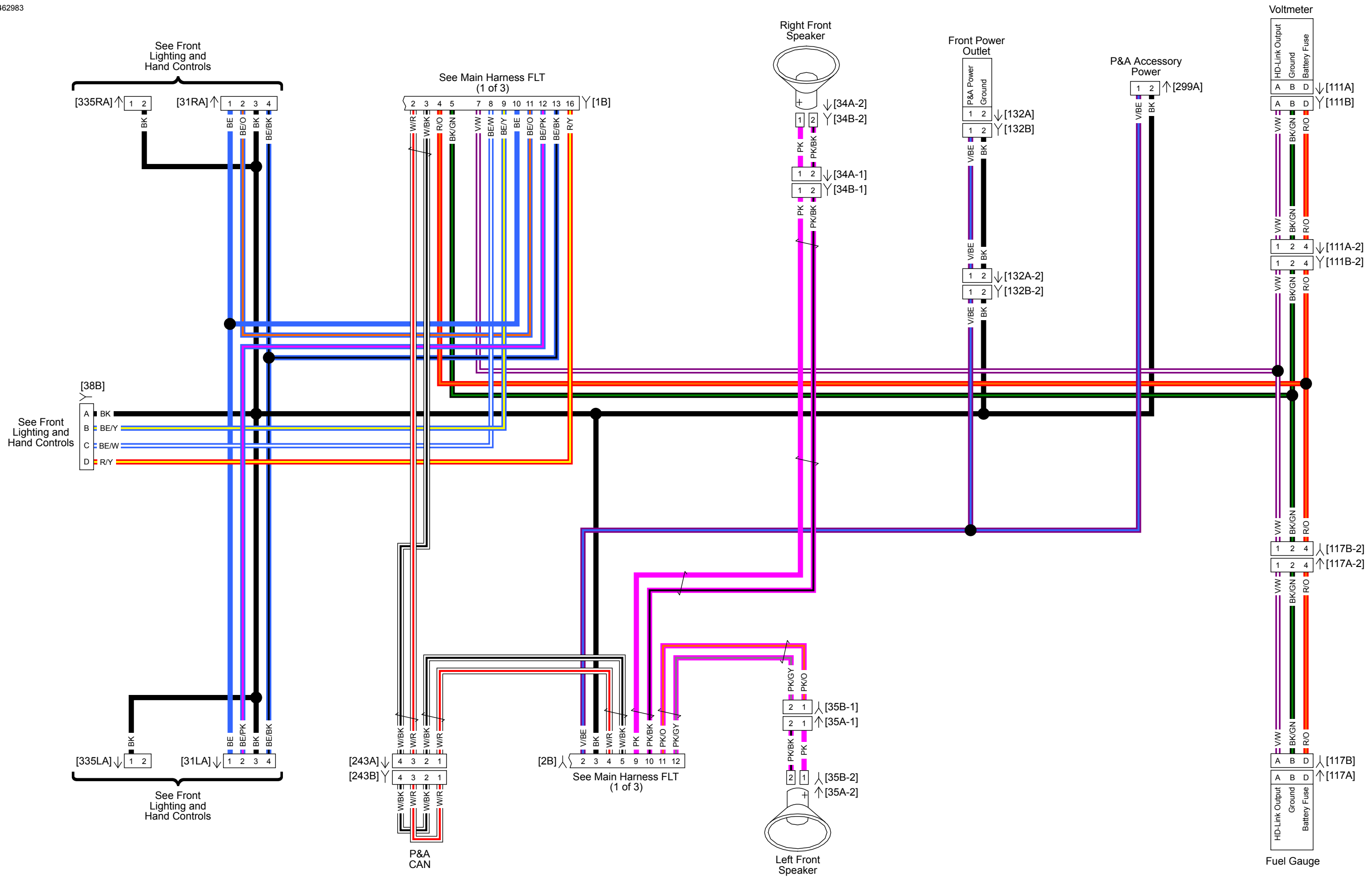
Main Harness FLHX (1 of 3) (Non-ABS with Fairing)



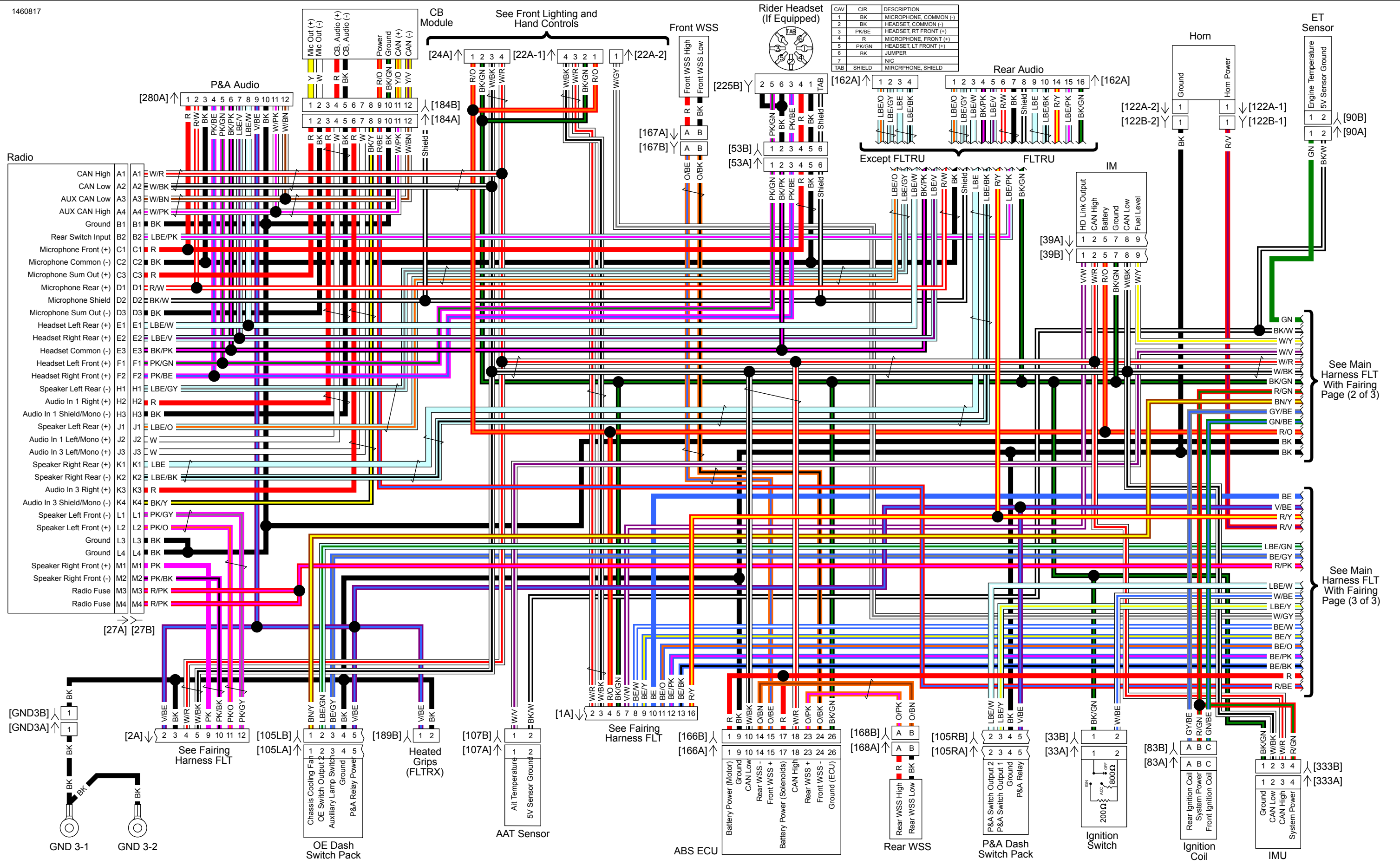
Main Harness FLHX (2 of 3) (Non-ABS with Fairing)



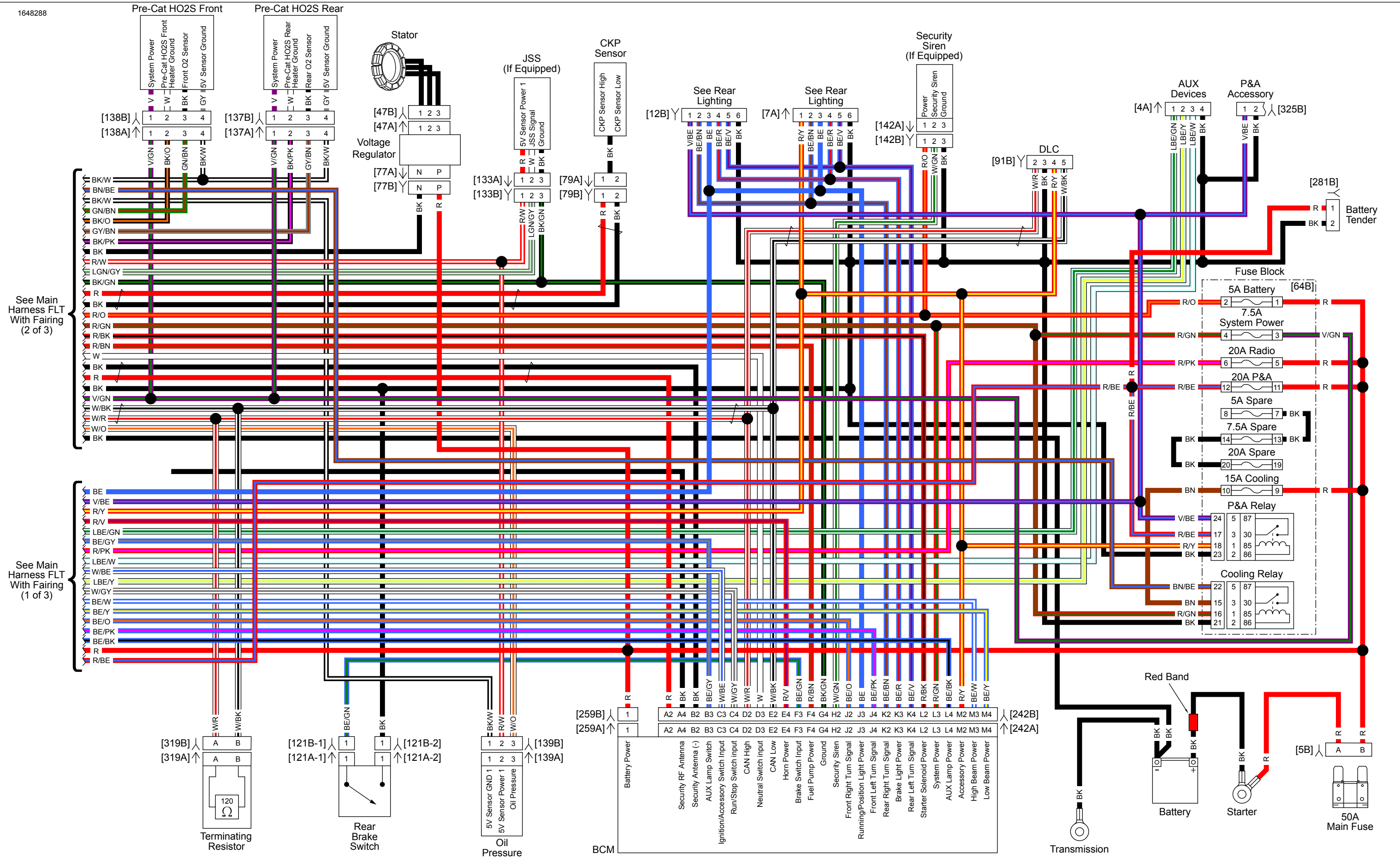
Main Harness FLHX (3 of 3) (Non-ABS with Fairing)



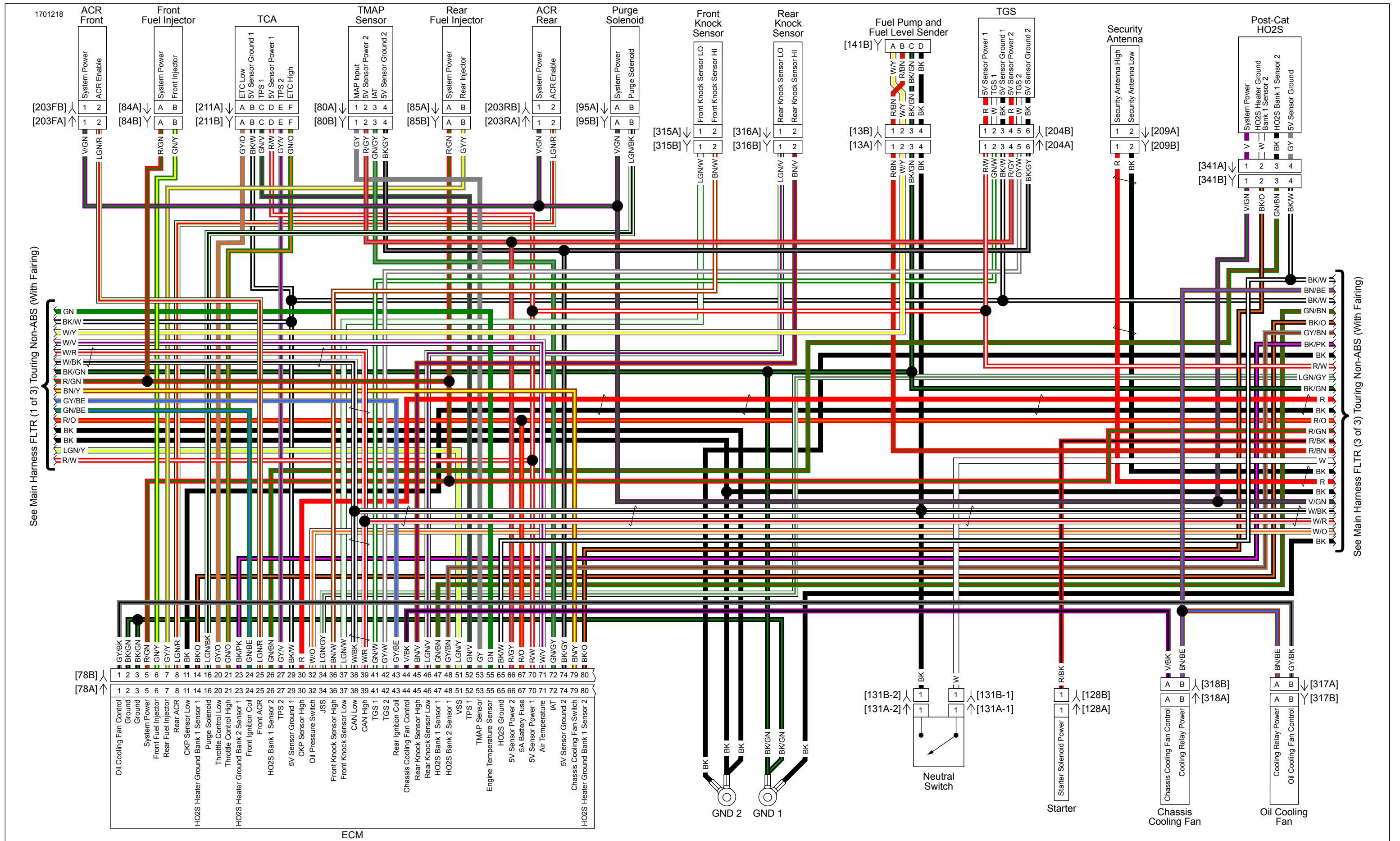
Fairing Harness: FLT



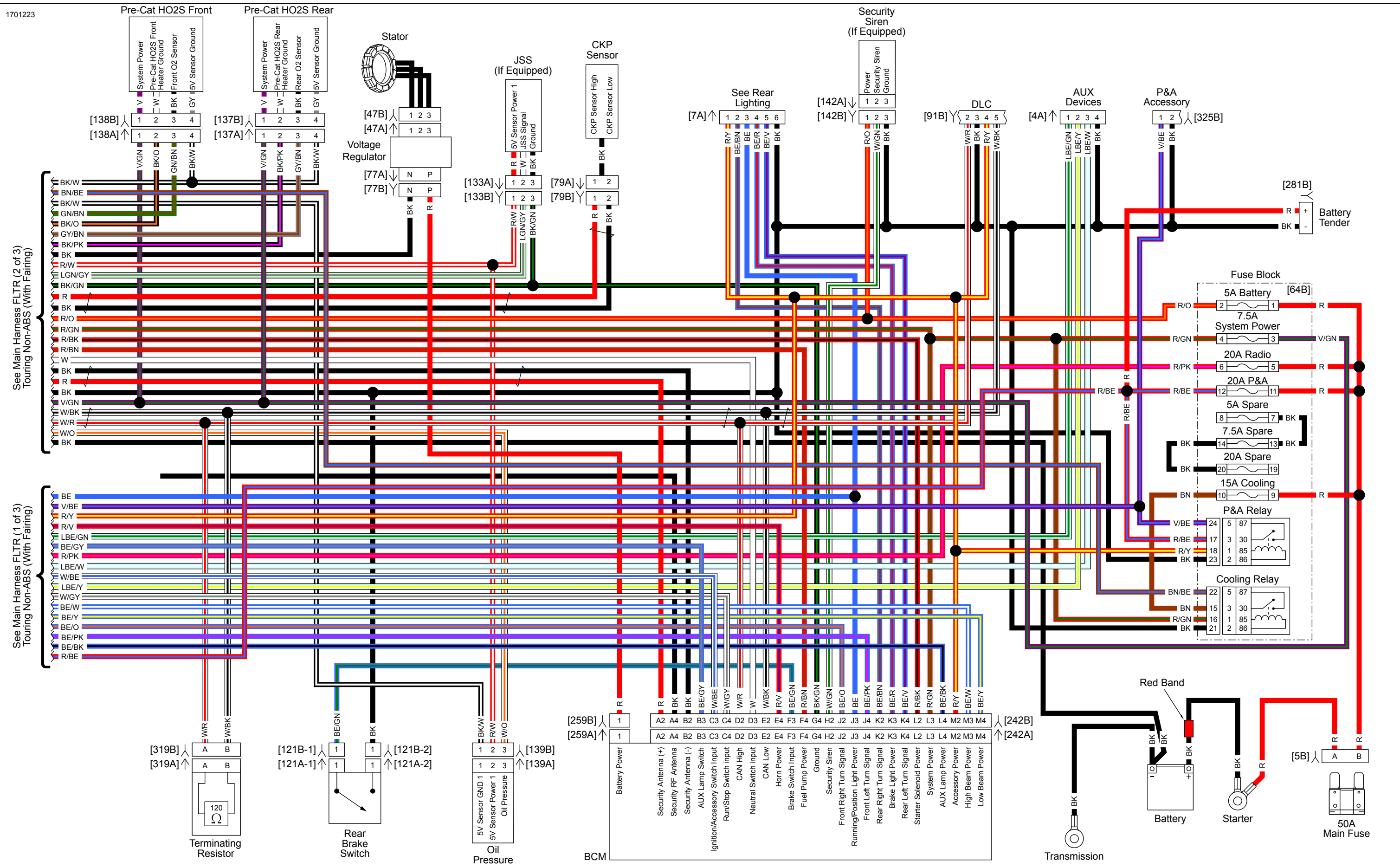
Main Harness FLT (1 of 3) (with Fairing)



Main Harness FLT (3 of 3) (with Fairing)



Main Harness FLTR (2 of 3) (Non-ABS with Fairing)



Main Harness FLTR (3 of 3) (Non-ABS with Fairing)

See Front Lighting and Hand Controls

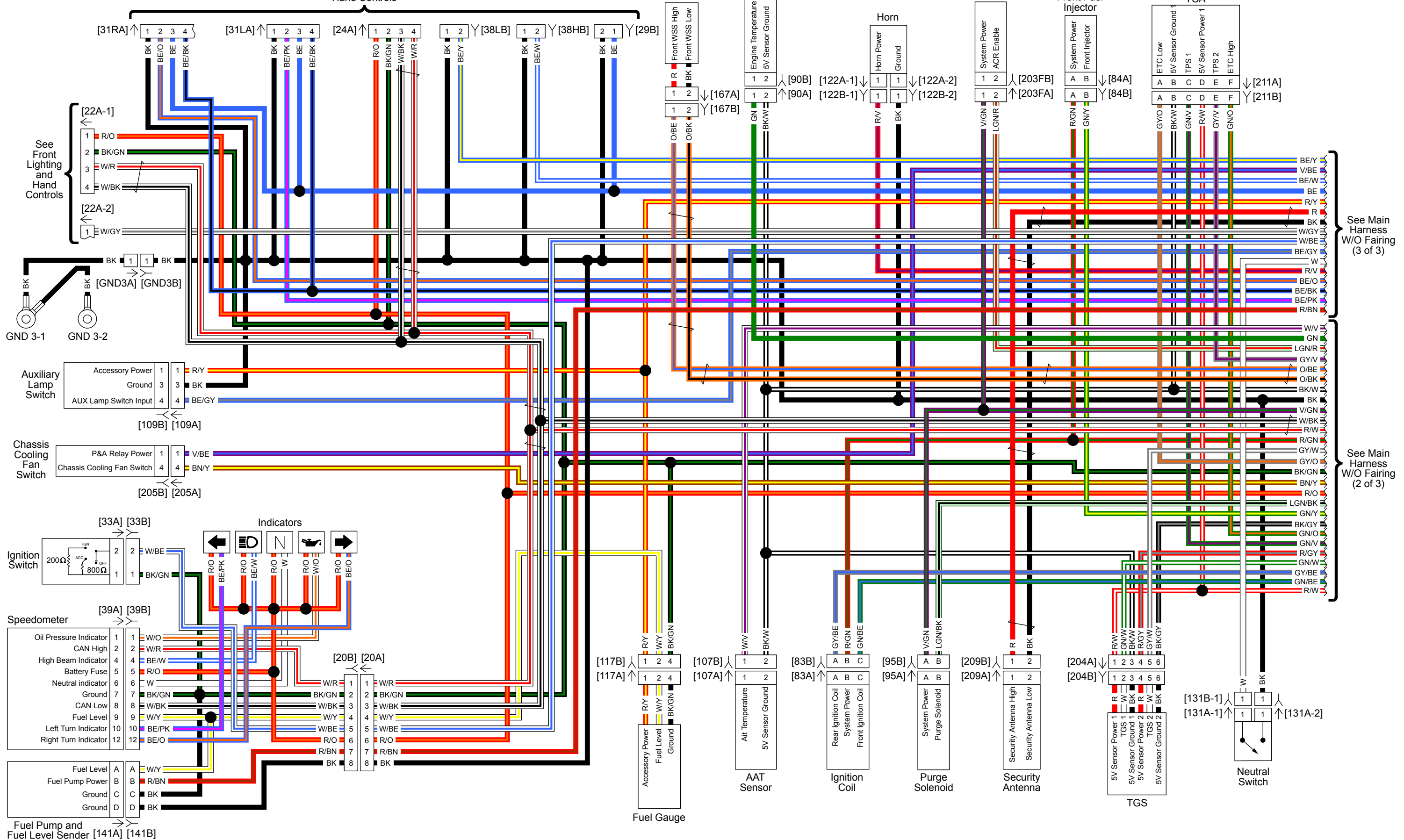
Front WSS (if Equipped)

ET Sensor

ACR Front

Front Fuel Injector

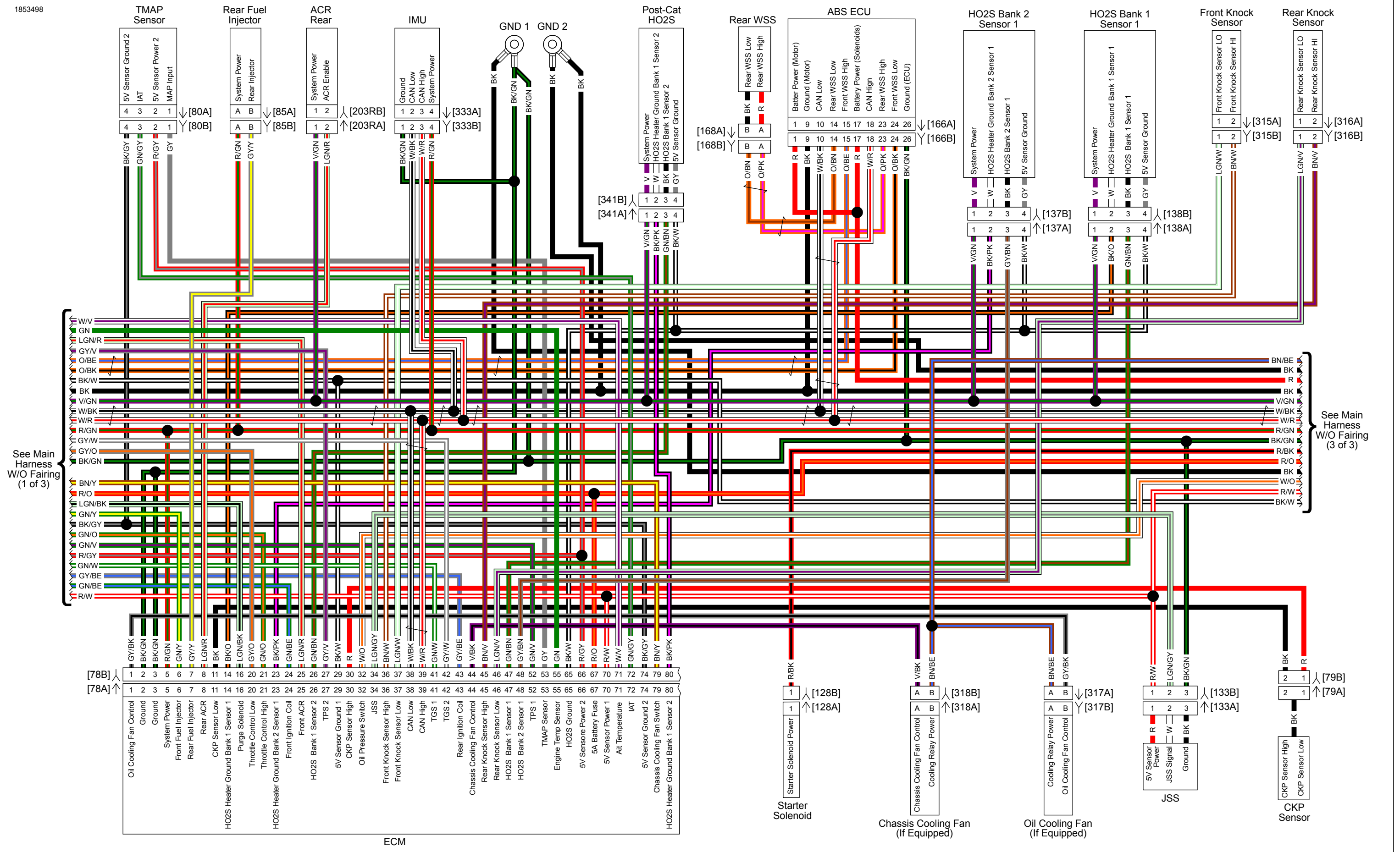
TCA



See Main Harness W/O Fairing (3 of 3)

See Main Harness W/O Fairing (2 of 3)

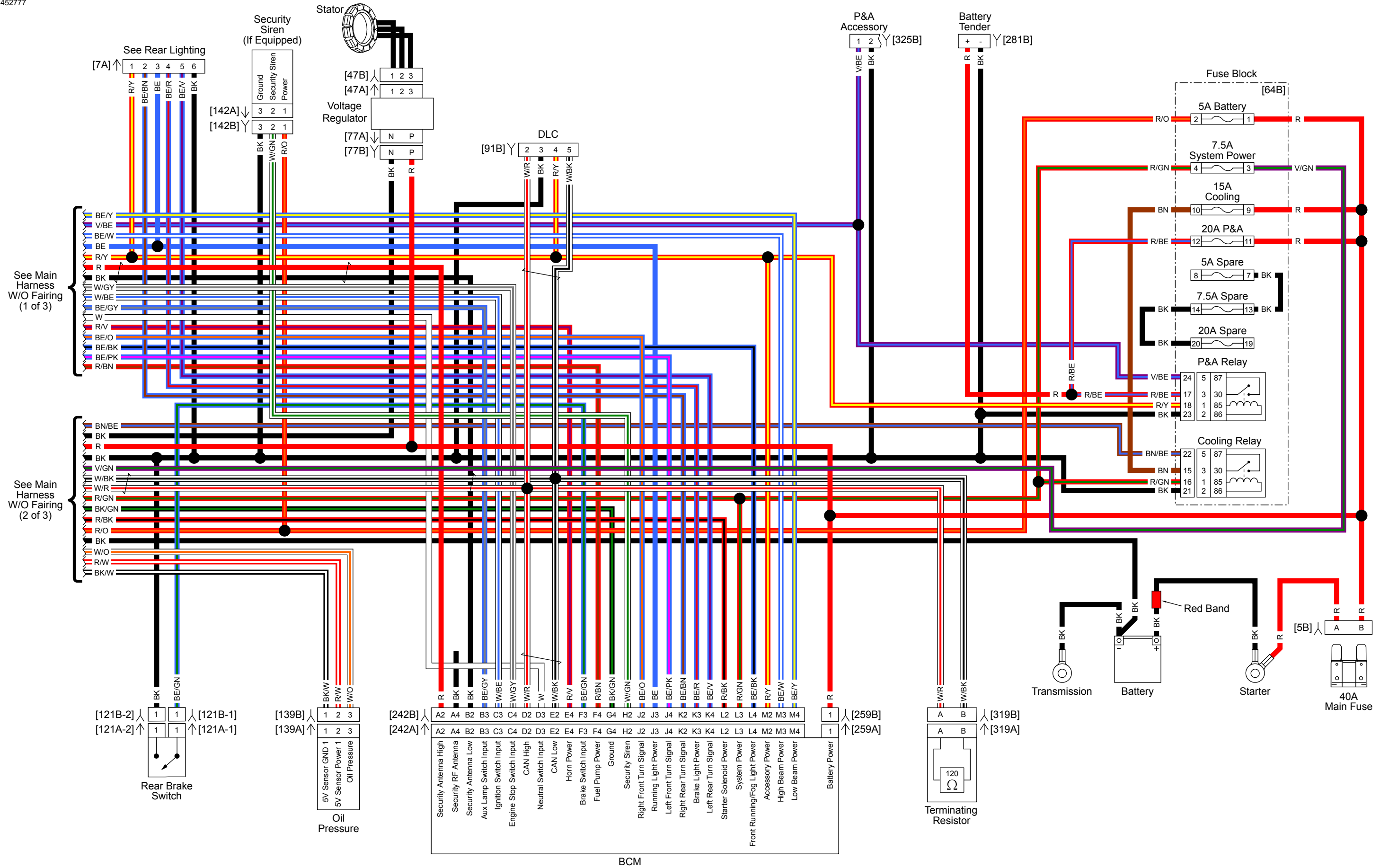
Main Harness (1 of 3) (without Fairing)



See Main Harness W/O Fairing (1 of 3)

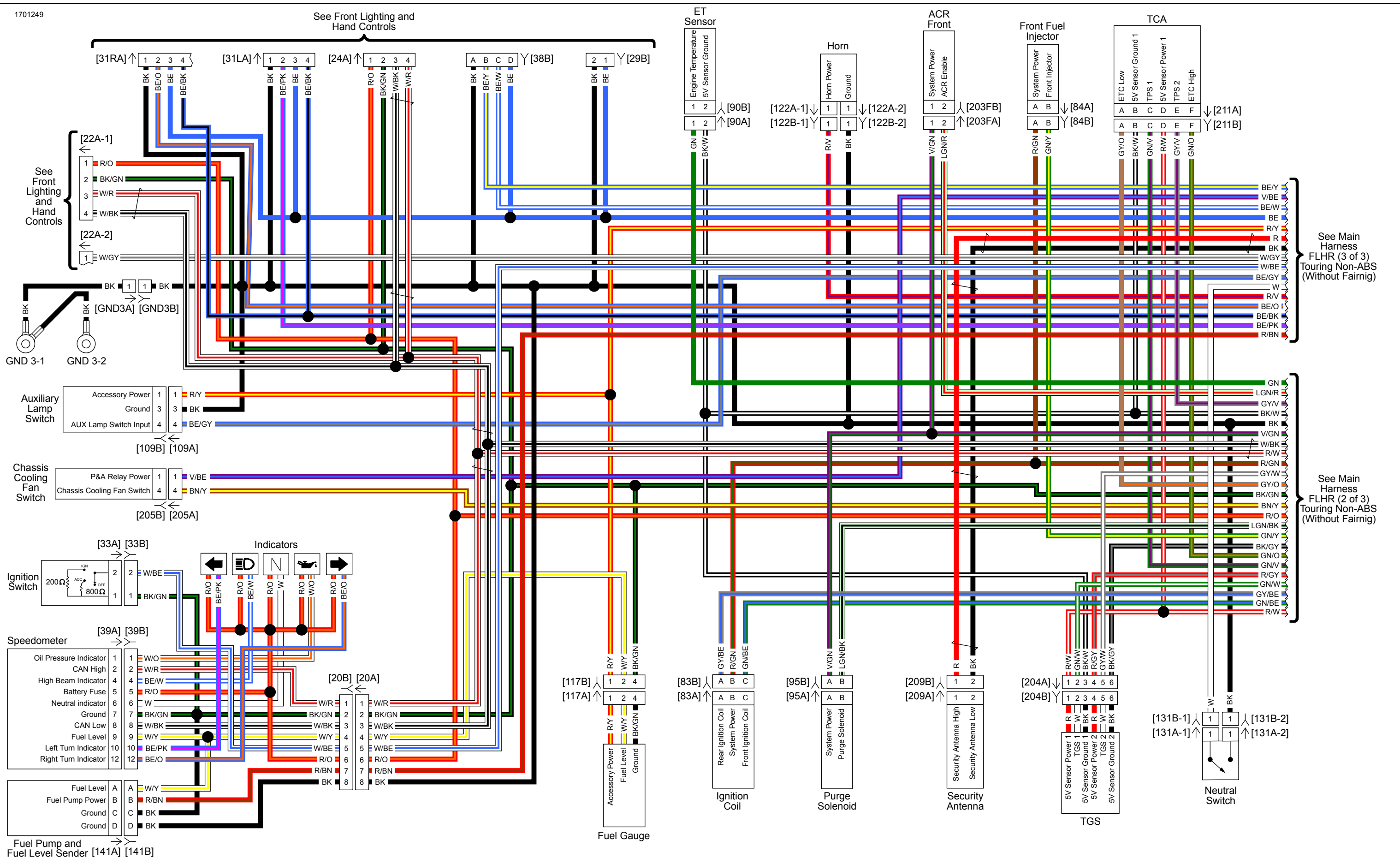
See Main Harness W/O Fairing (3 of 3)

Main Harness (2 of 3) (without Fairing)

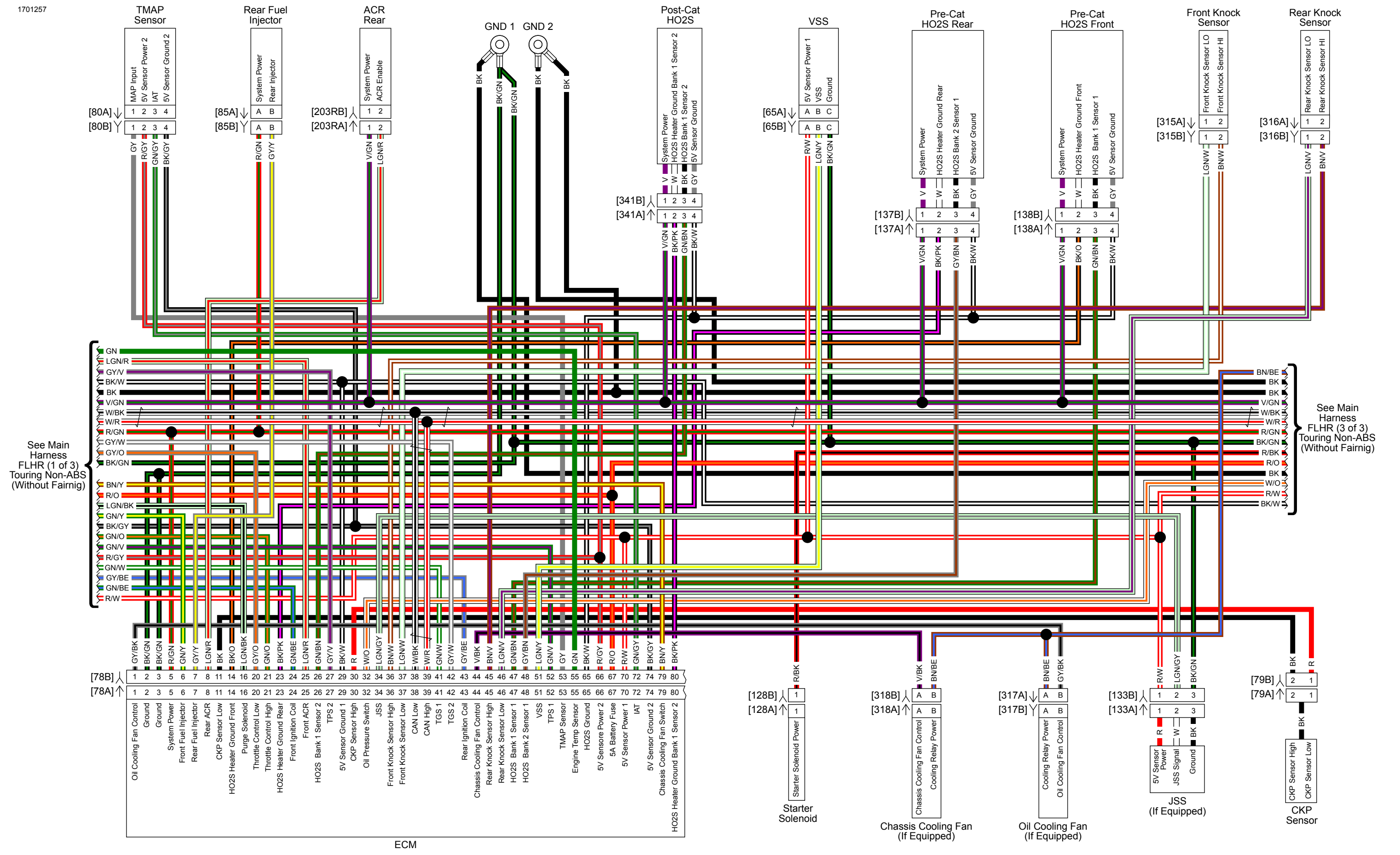


Main Harness (3 of 3) (without Fairing)

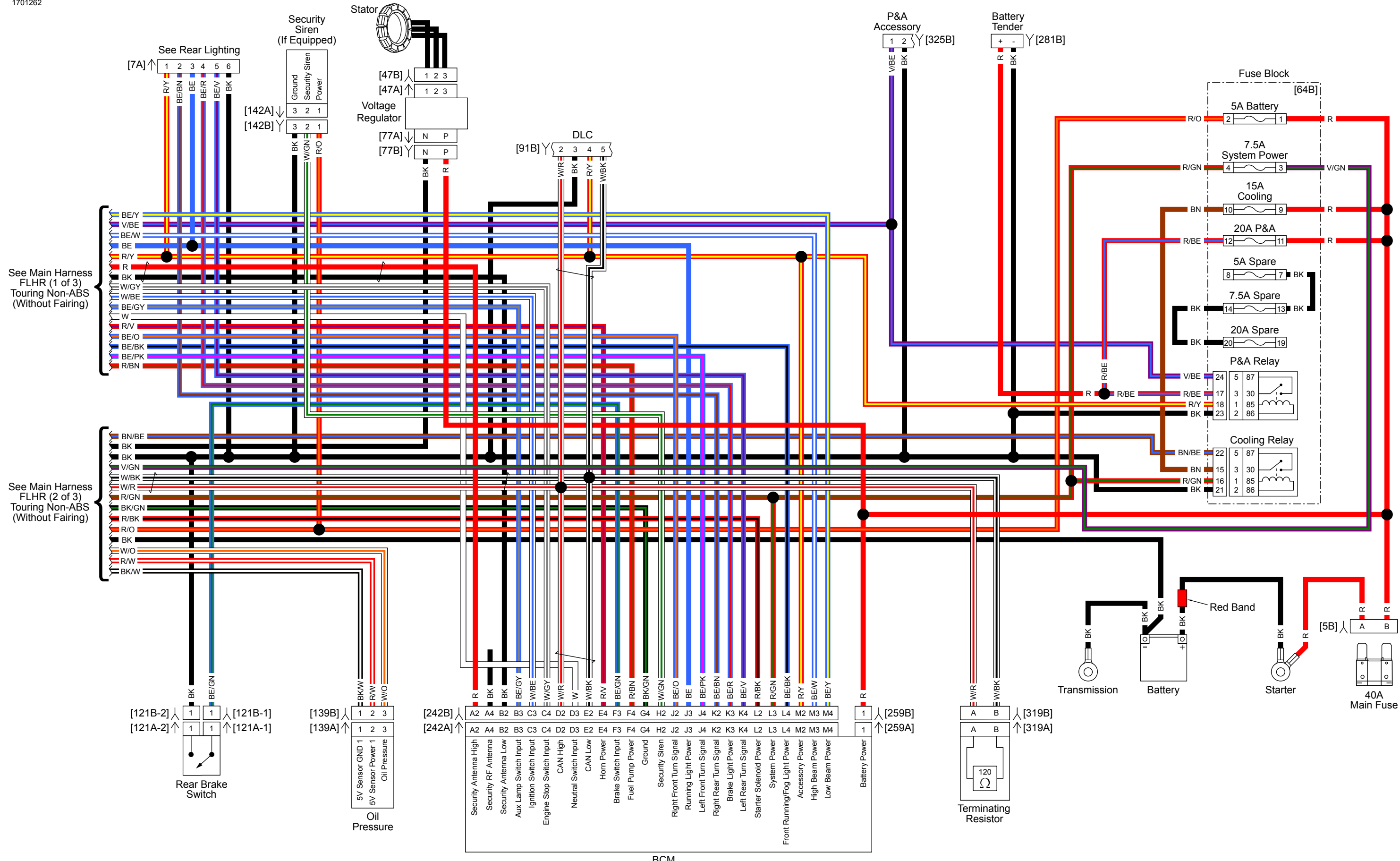
See Front Lighting and Hand Controls



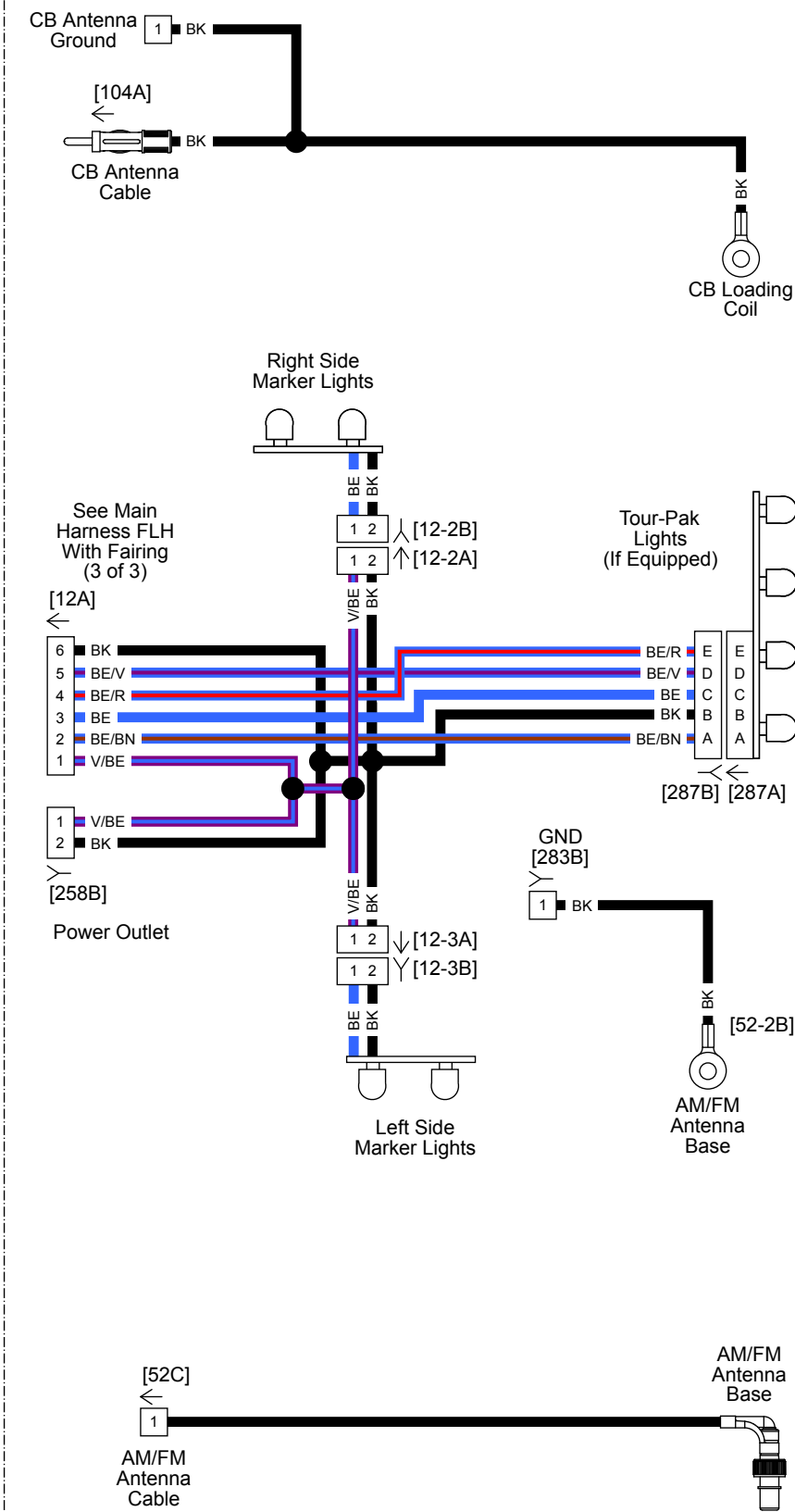
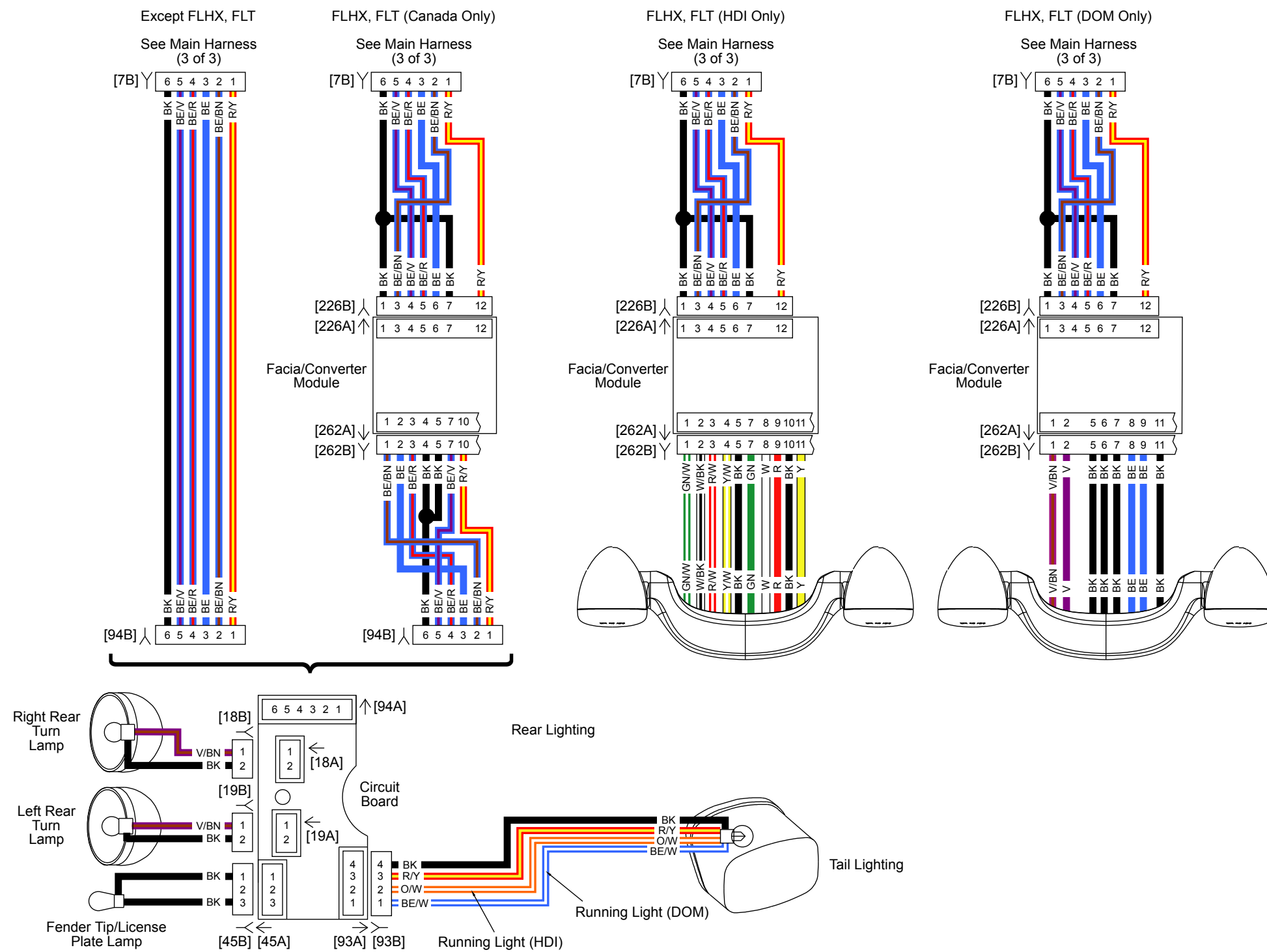
Main Harness FLHR (1 of 3) (Non-ABS without Fairing)



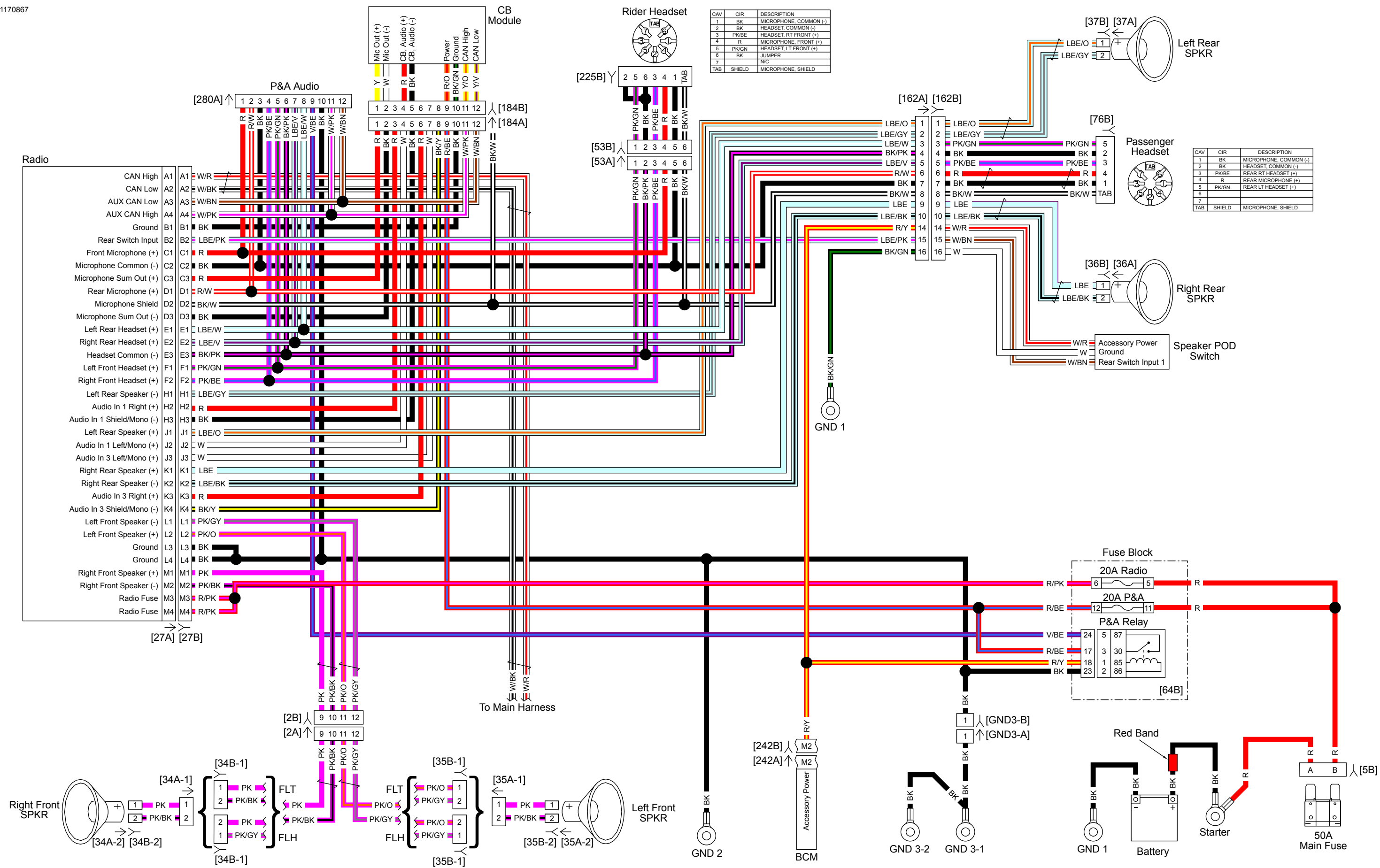
Main Harness FHLR (2 of 3) (Non-ABS without Fairing)



Main Harness FLHR (3 of 3) (Non-ABS without Fairing)



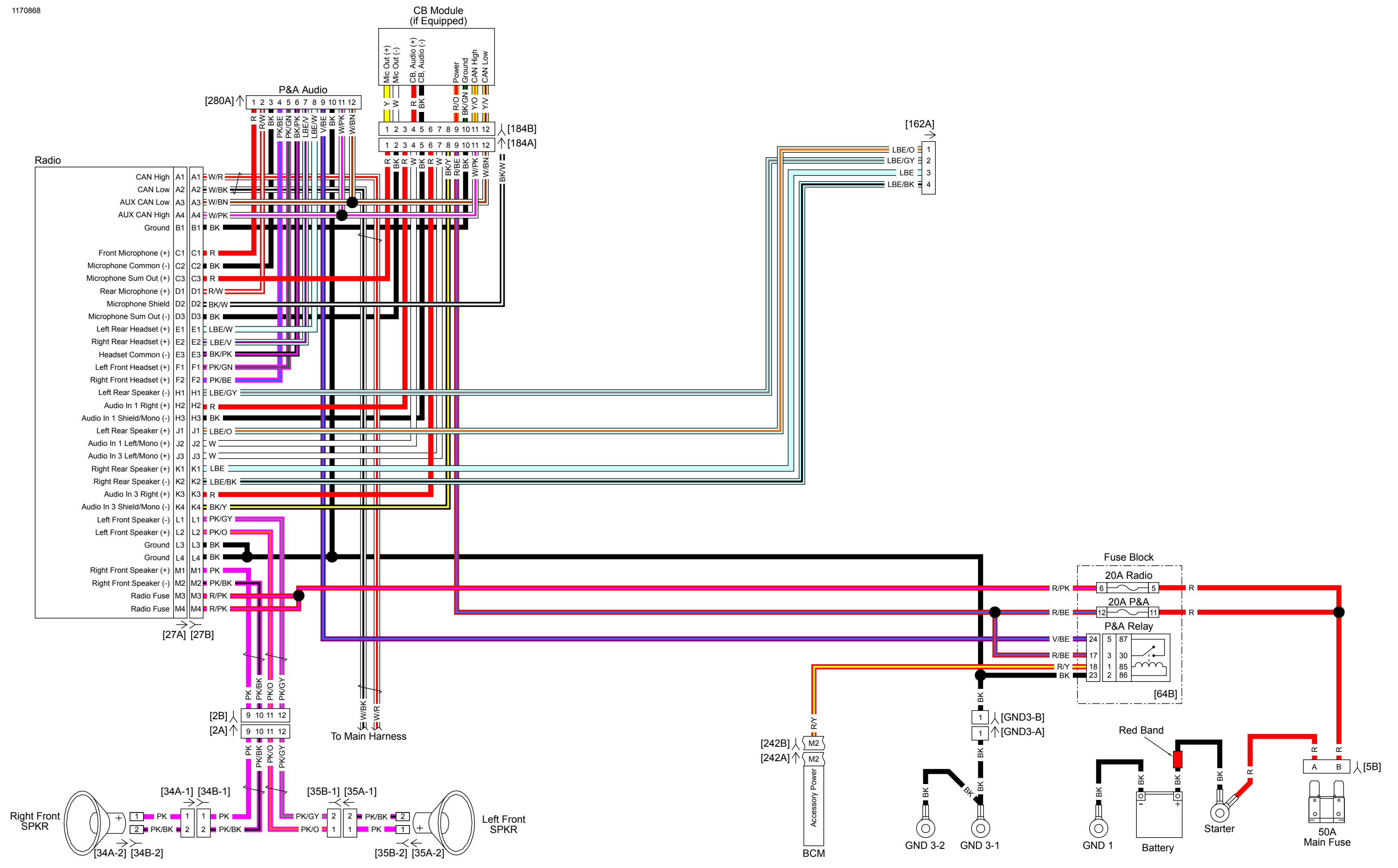
Rear Lighting



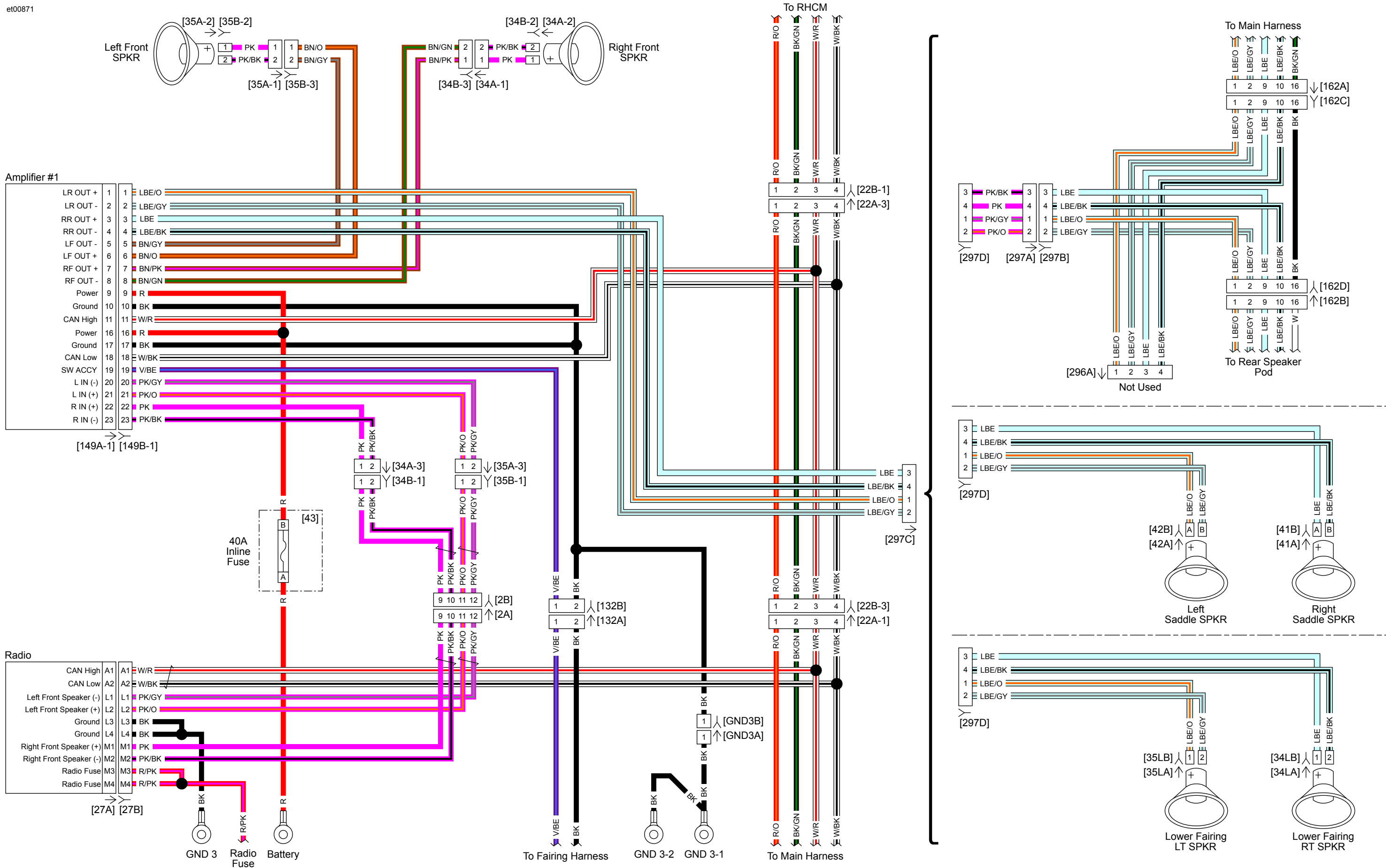
CAV	CIR	DESCRIPTION
1	BK	MICROPHONE, COMMON (-)
2	BK	HEADSET, COMMON (-)
3	PK/BE	HEADSET, RT FRONT (+)
4	R	MICROPHONE, FRONT (+)
5	PK/GN	HEADSET, LT FRONT (+)
6	BK	JUMPER
7	W/G	
TAB	SHIELD	MICROPHONE, SHIELD

CAV	CIR	DESCRIPTION
1	BK	MICROPHONE, COMMON (-)
2	BK	HEADSET, COMMON (-)
3	PK/BE	REAR RT HEADSET (+)
4	R	REAR MICROPHONE (+)
5	PK/GN	REAR LT HEADSET (+)
6		
7		
TAB	SHIELD	MICROPHONE, SHIELD

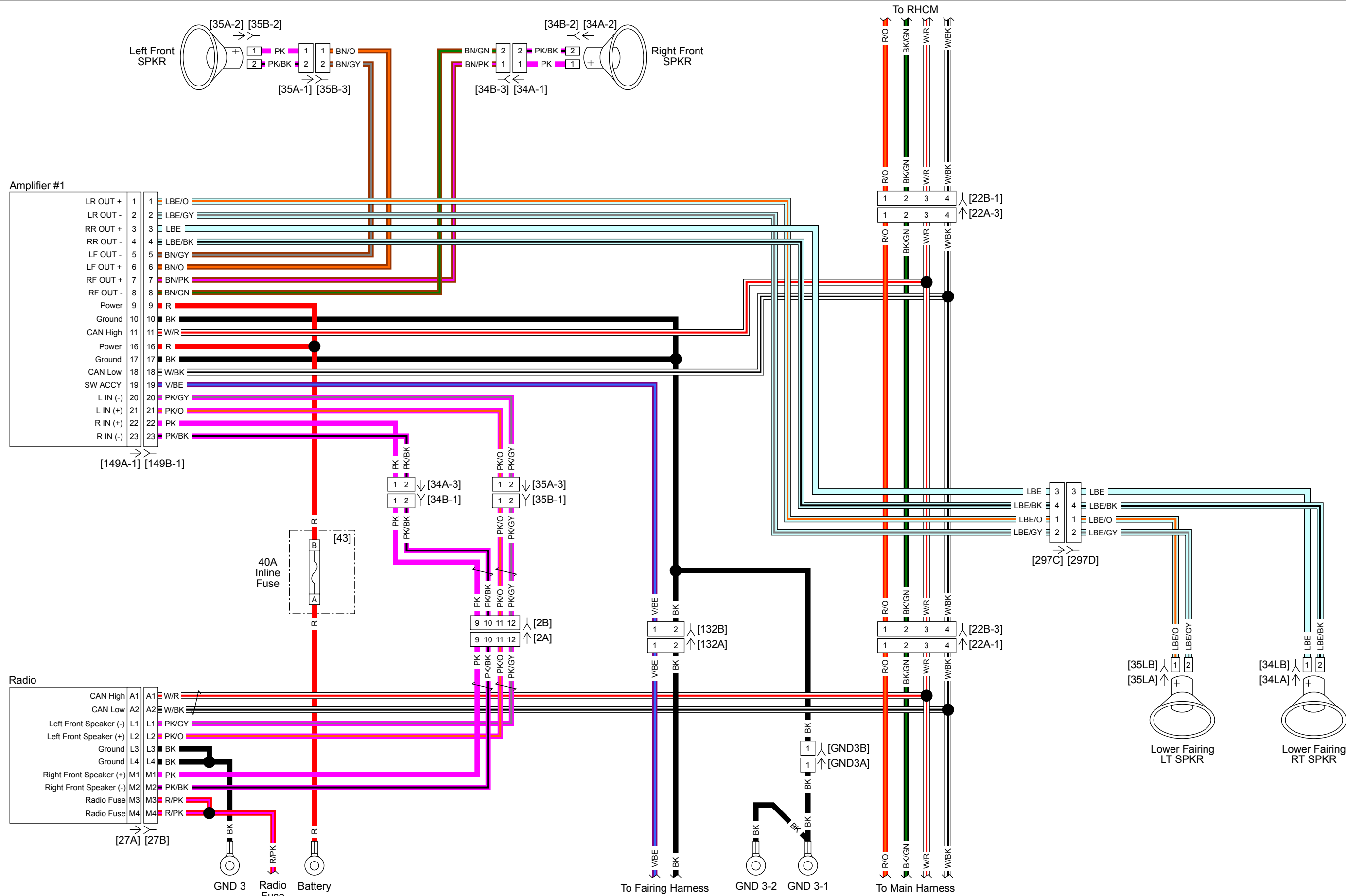
OE Radio (Except FLHX/S, FLT)



OE Radio (No Tour-Pak)

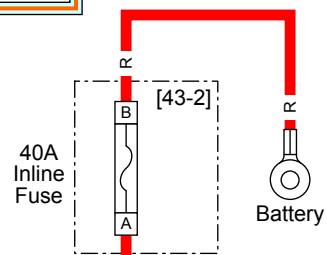
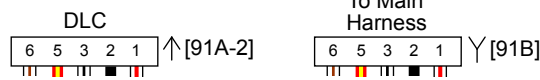
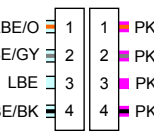
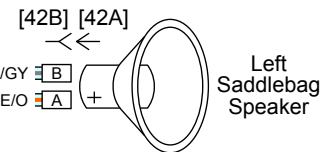
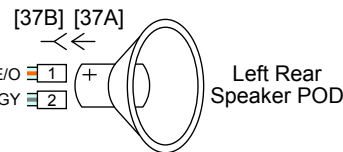
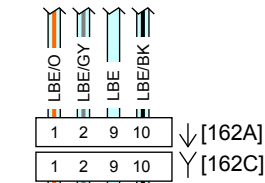


BOOM!: Radio with 1 Amp

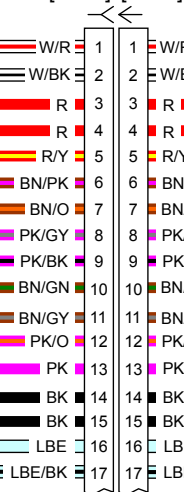


BOOM!: Radio with 2 Amps (1 of 2)

To Main Harness



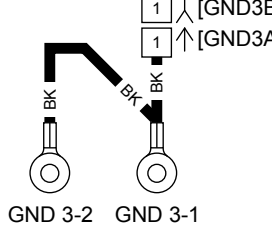
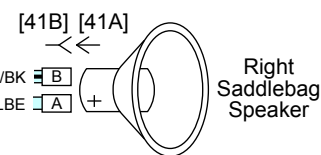
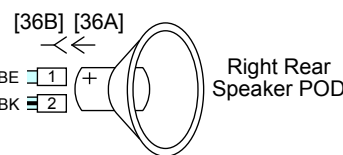
[288B] [288A]



Amplifier #2

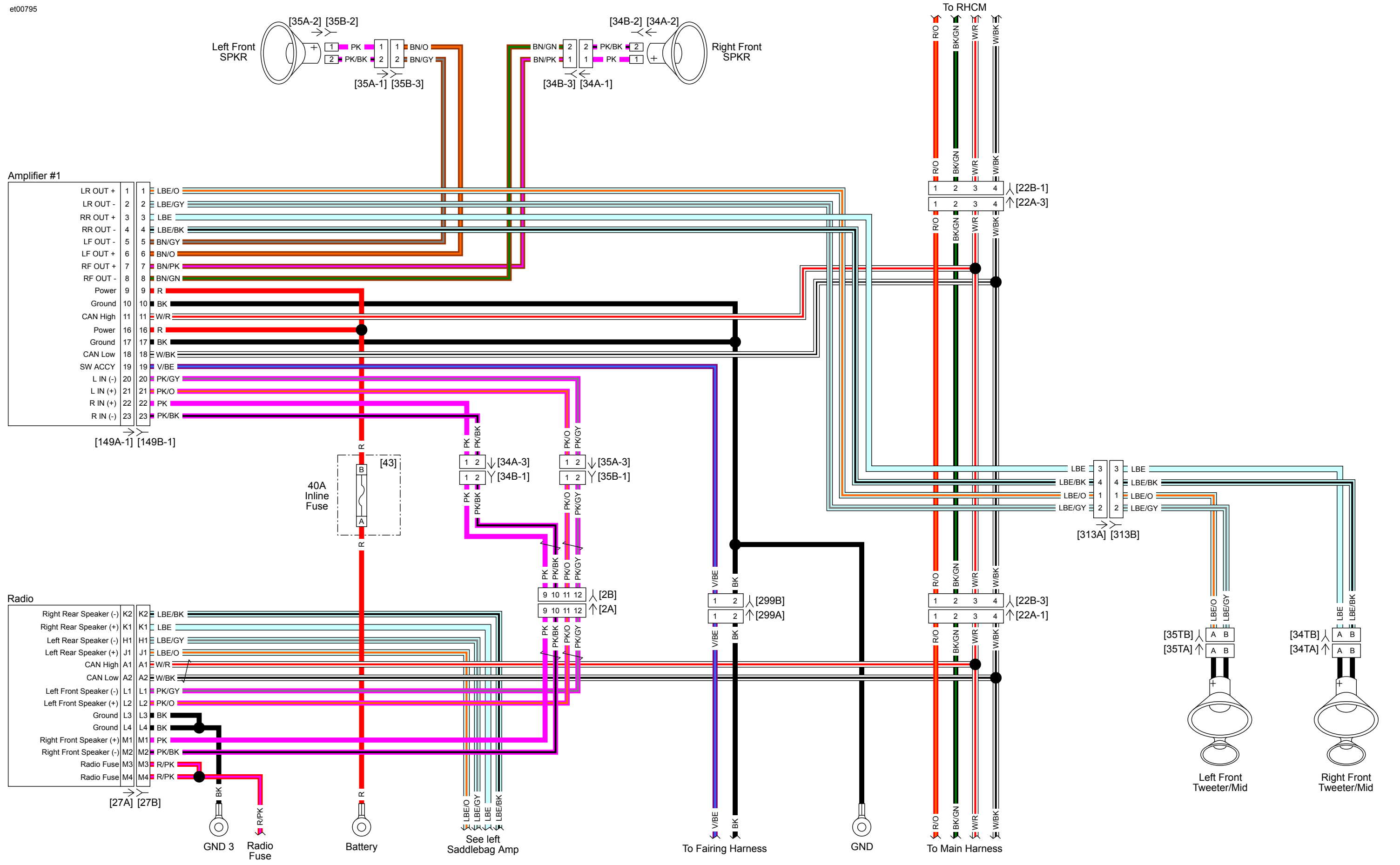


[149B-2] [149A-2]

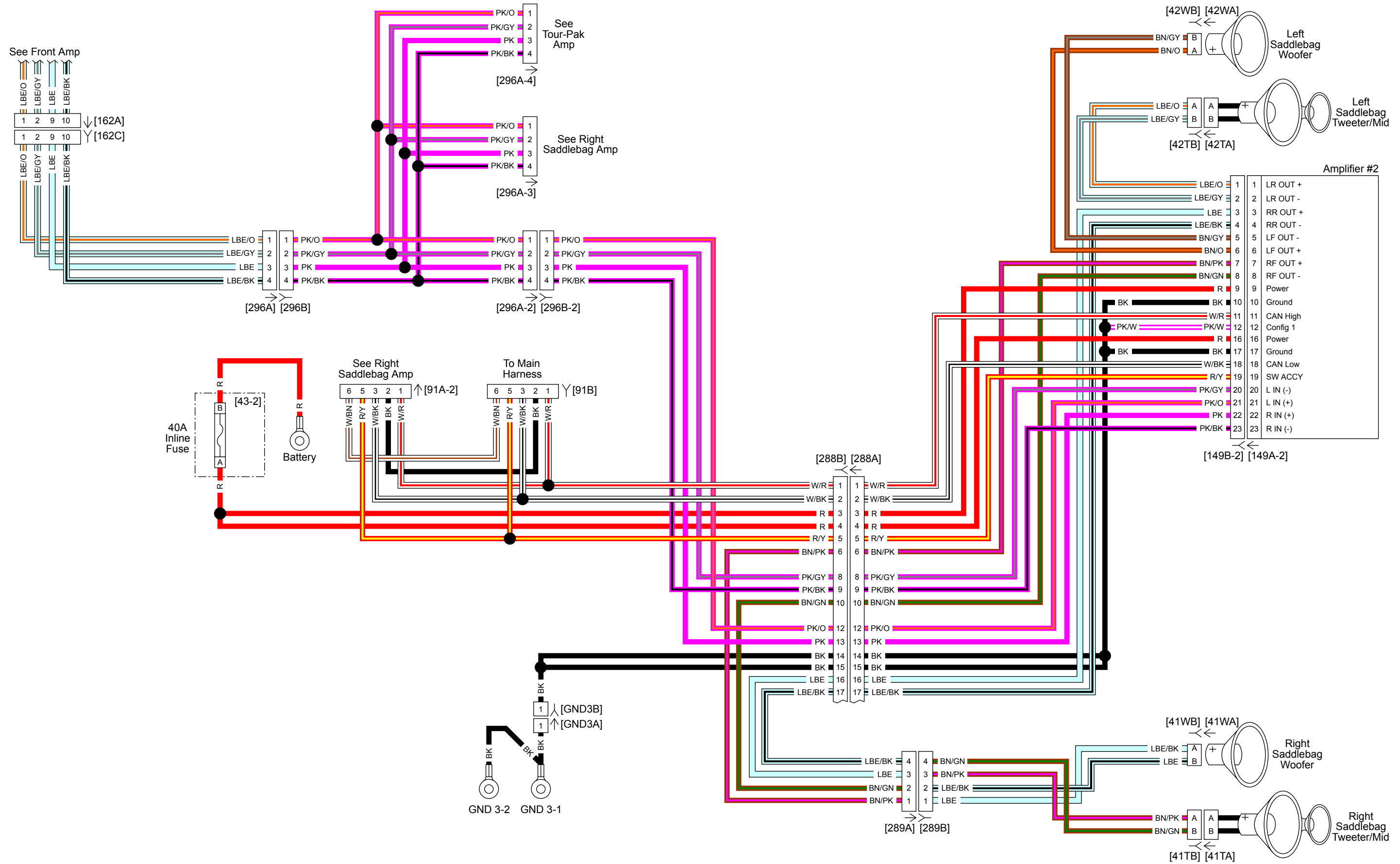


[289A] [289B]

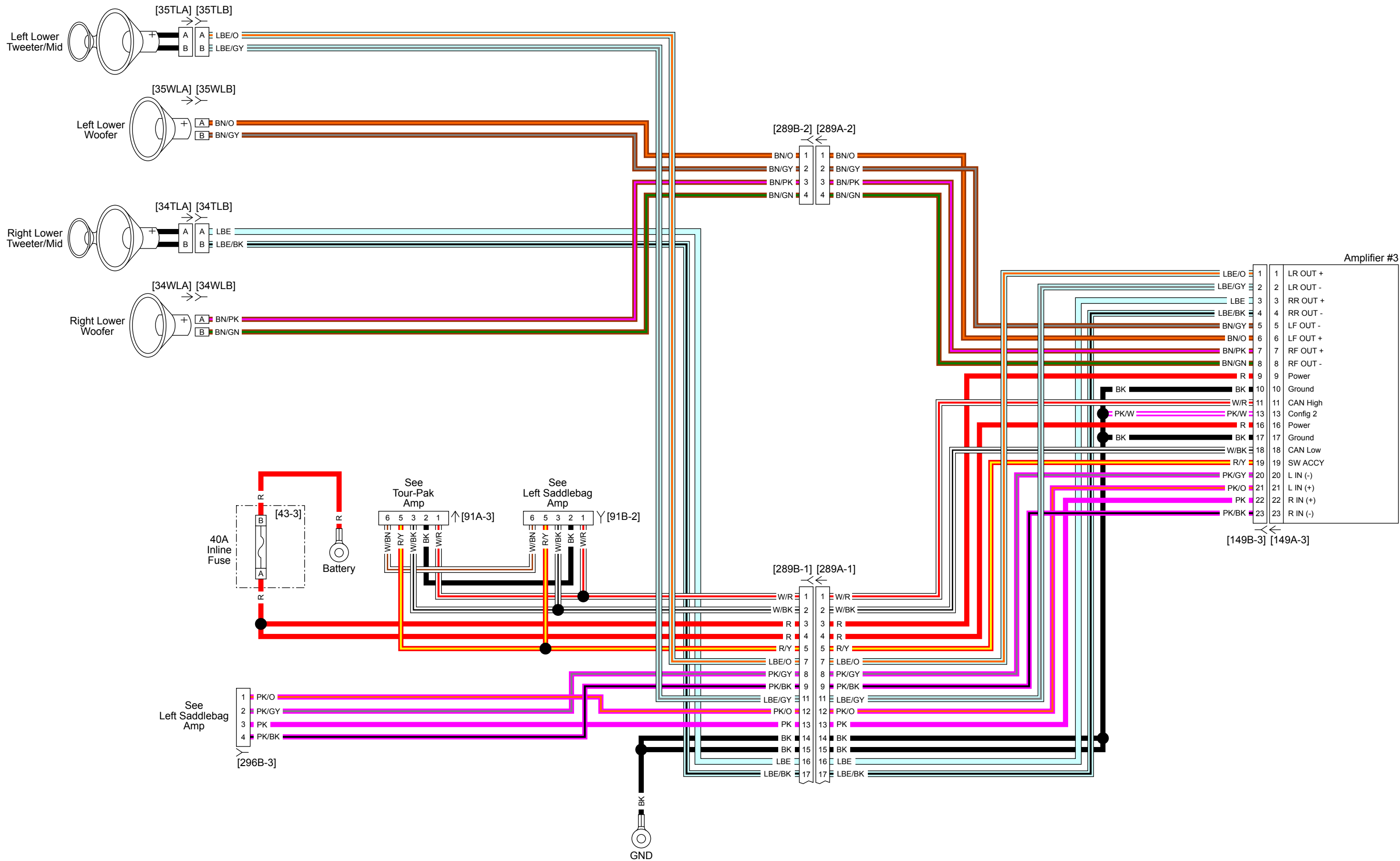
BOOM!: Radio with 2 Amps (2 of 2)



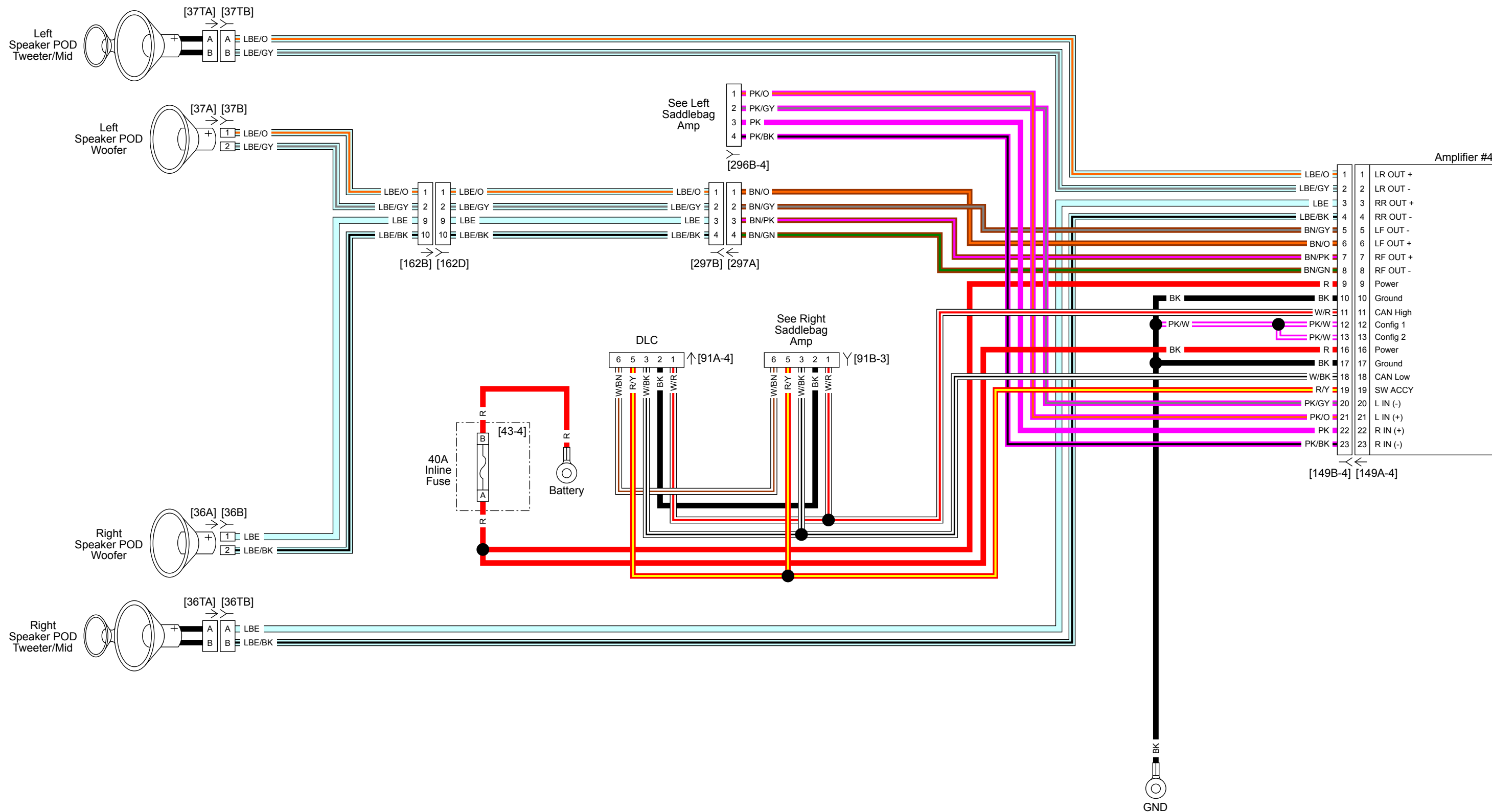
BOOM!: Radio with 4 Amps (1 of 4), Front Amp



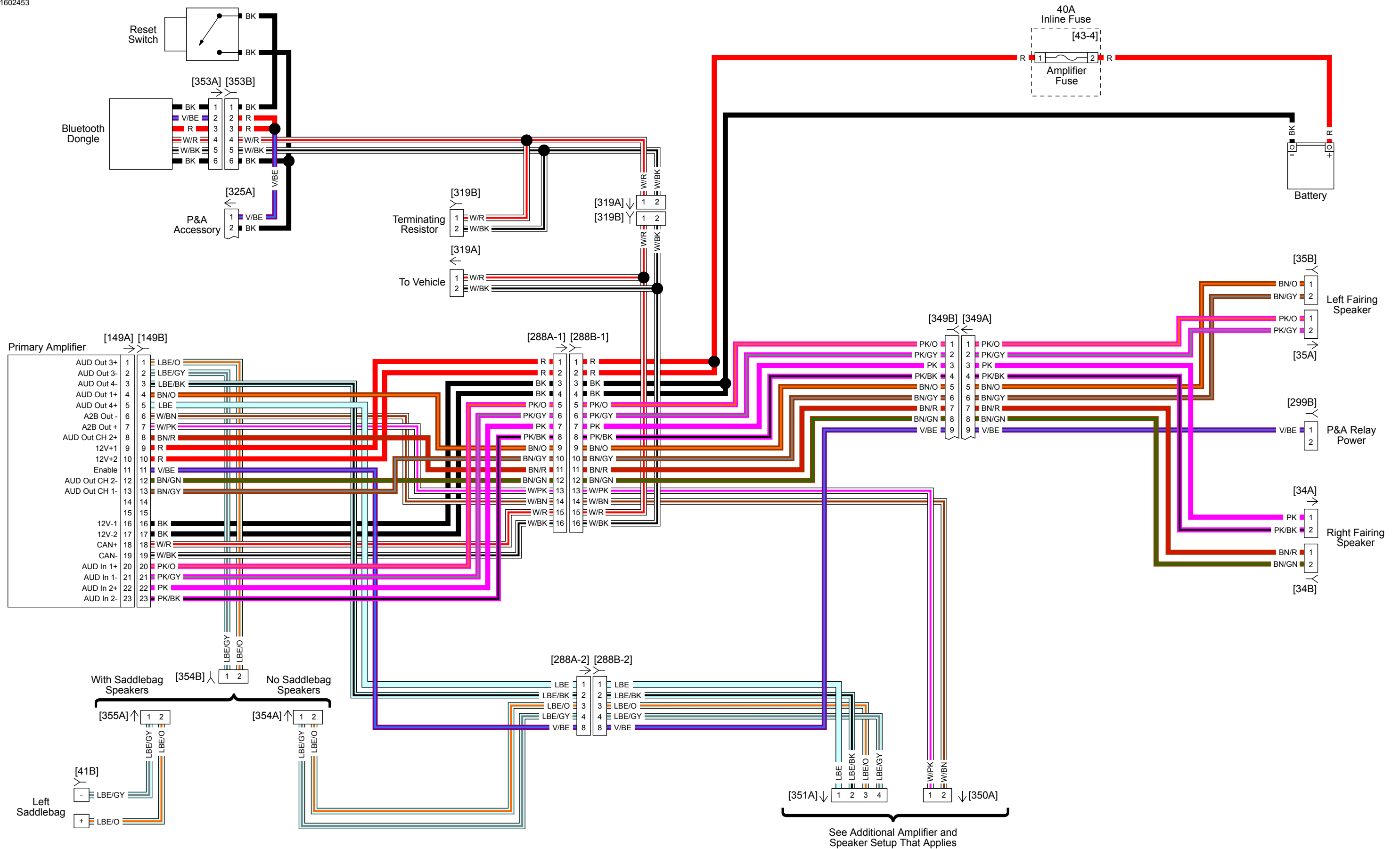
BOOM!: Radio with 4 Amps (2 of 4), Left Saddlebag Amp



BOOM!: Radio with 4 Amps (3 of 4), Right Saddlebag Amp



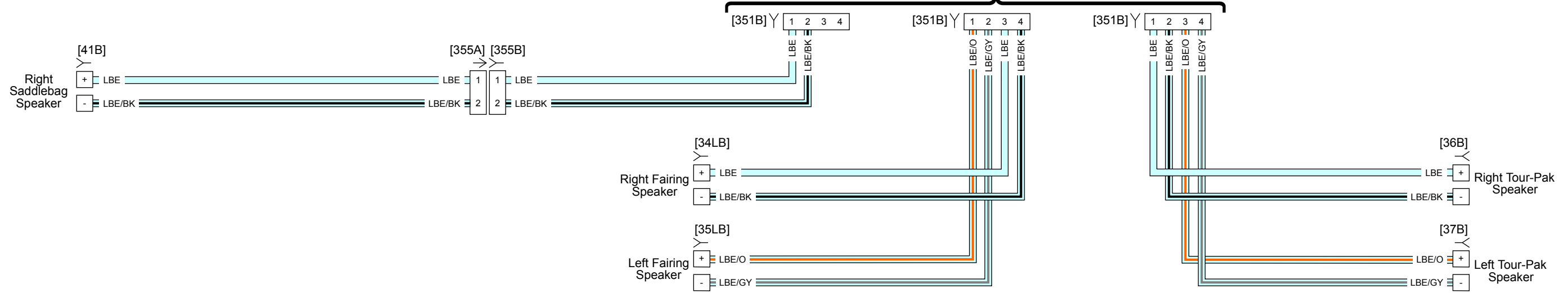
BOOM!: Radio with 4 Amps (4 of 4), Tour-Pak Amp



Rockford Fosgate: Primary Amplifier with 2 Speakers

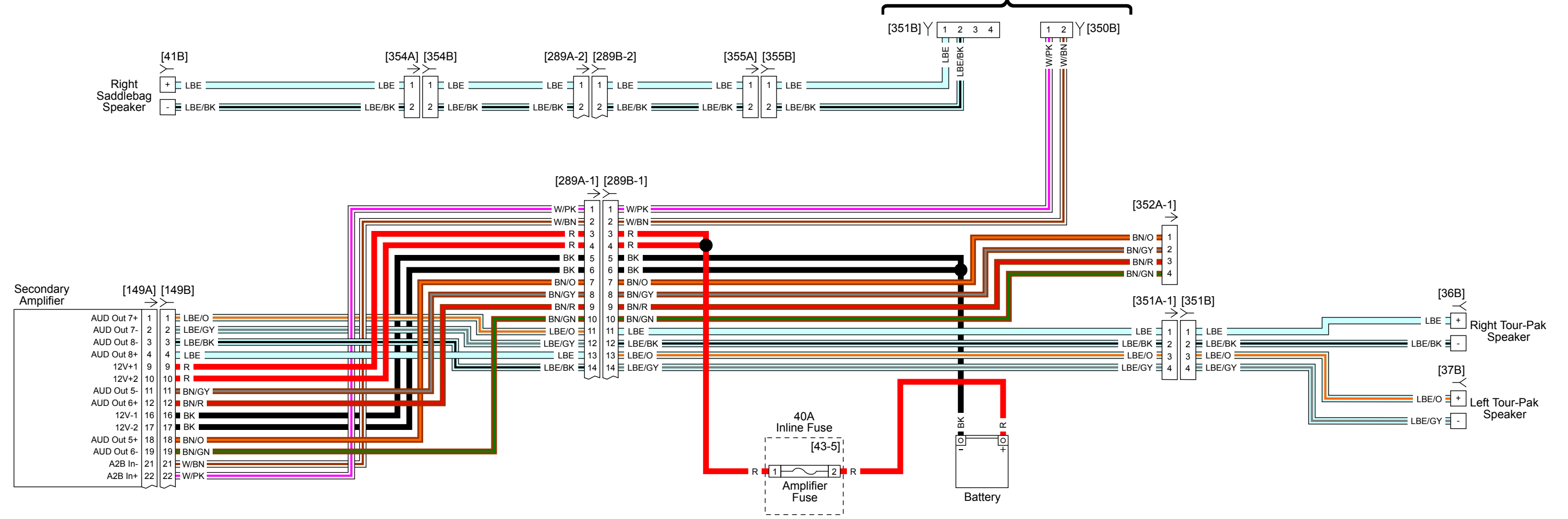
4 Speakers with Saddlebag Speakers

See Rockford Fosgate: Primary Amplifier with 2 Speakers



6 Speakers Saddlebags & Tour-Pak

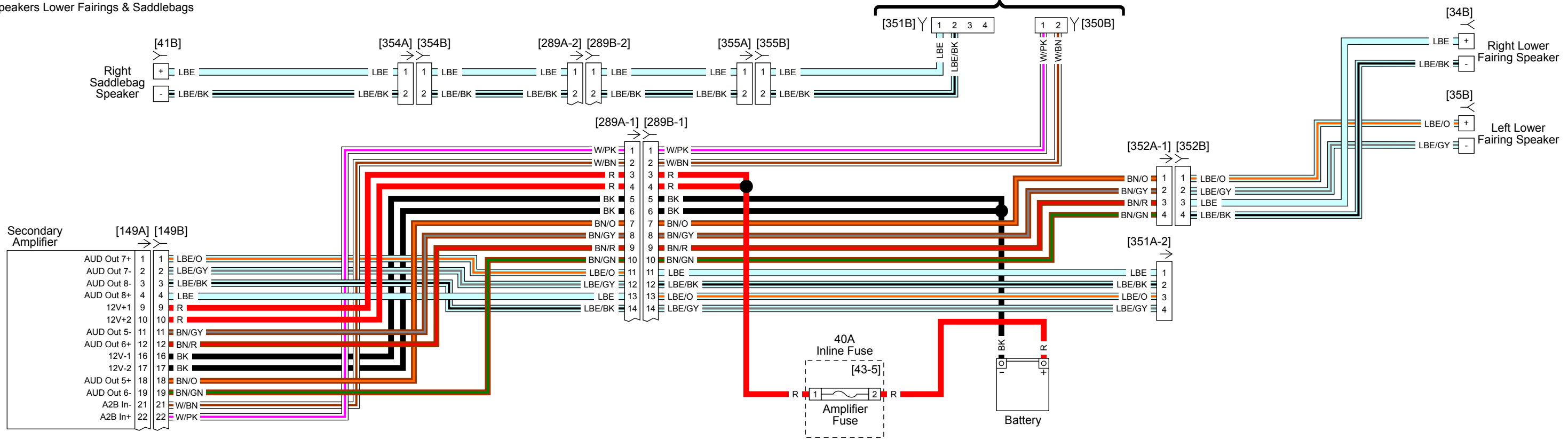
See Rockford Fosgate: Primary Amplifier with 2 Speakers



Rockford Fosgate: 4 Speakers – Saddlebags or 6 Speakers - Secondary Amplifier, Saddlebags & Tour-Pak

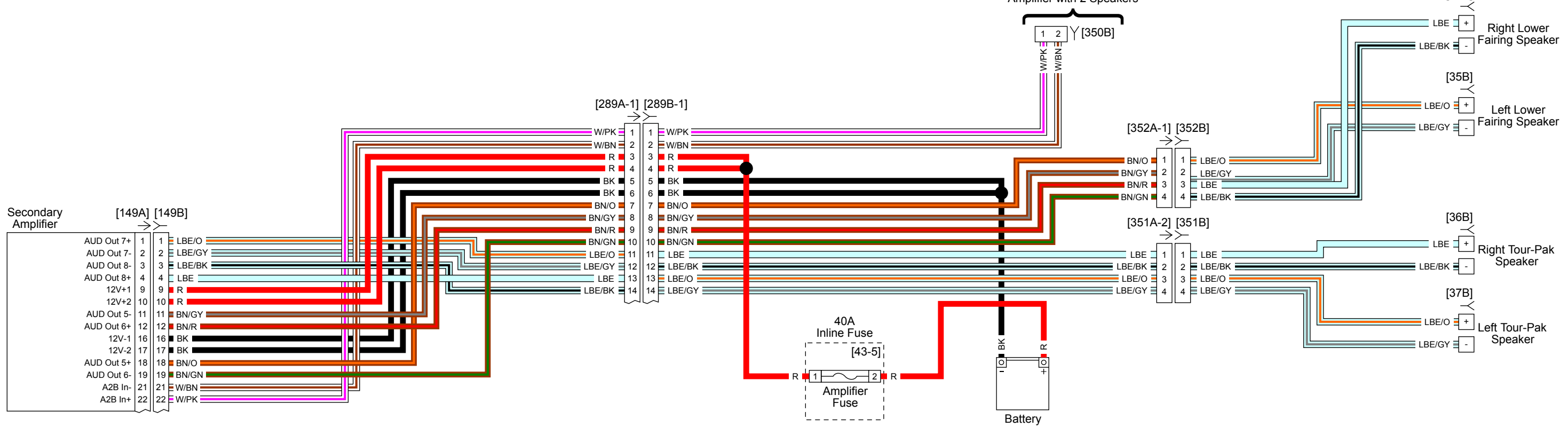
6 Speakers Lower Fairings & Saddlebags

See Rockford Fosgate: Primary Amplifier with 2 Speakers



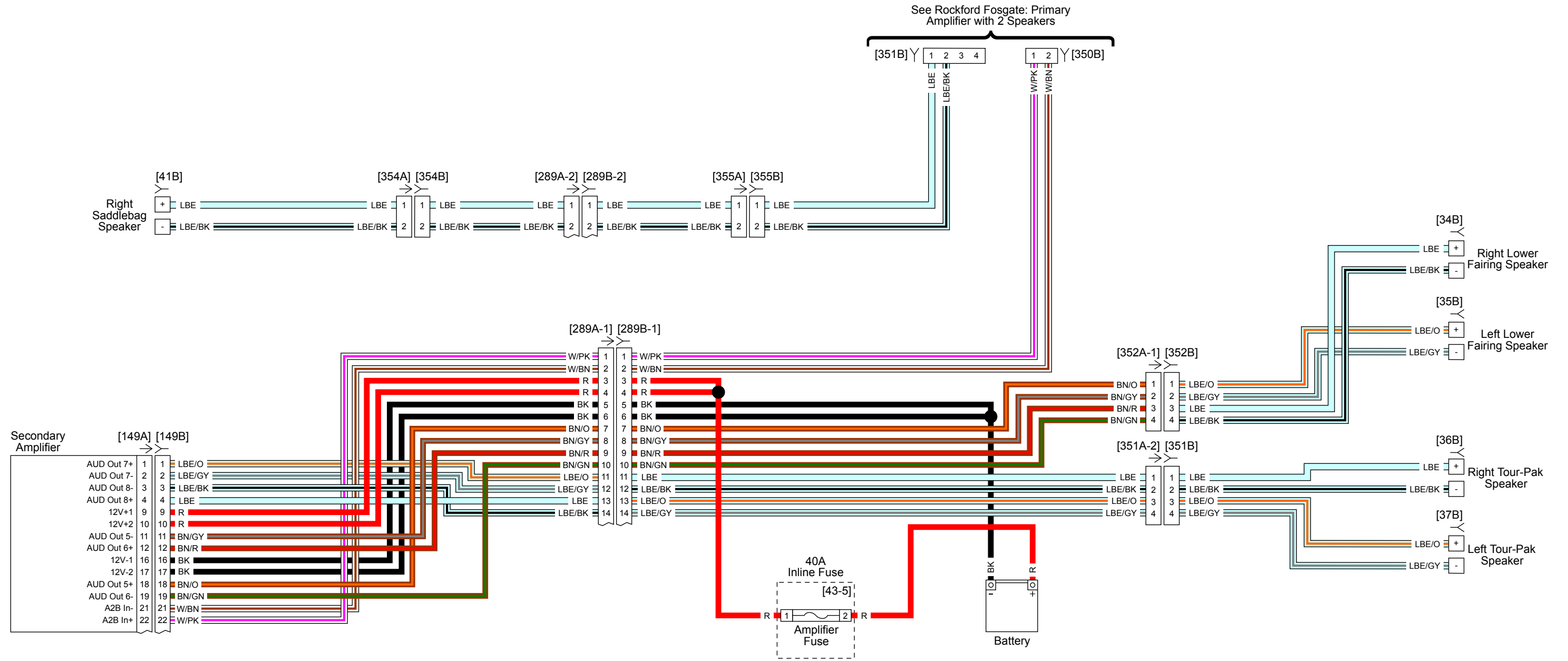
6 Speakers Tour-Pak & Lower Fairings

See Rockford Fosgate: Primary Amplifier with 2 Speakers

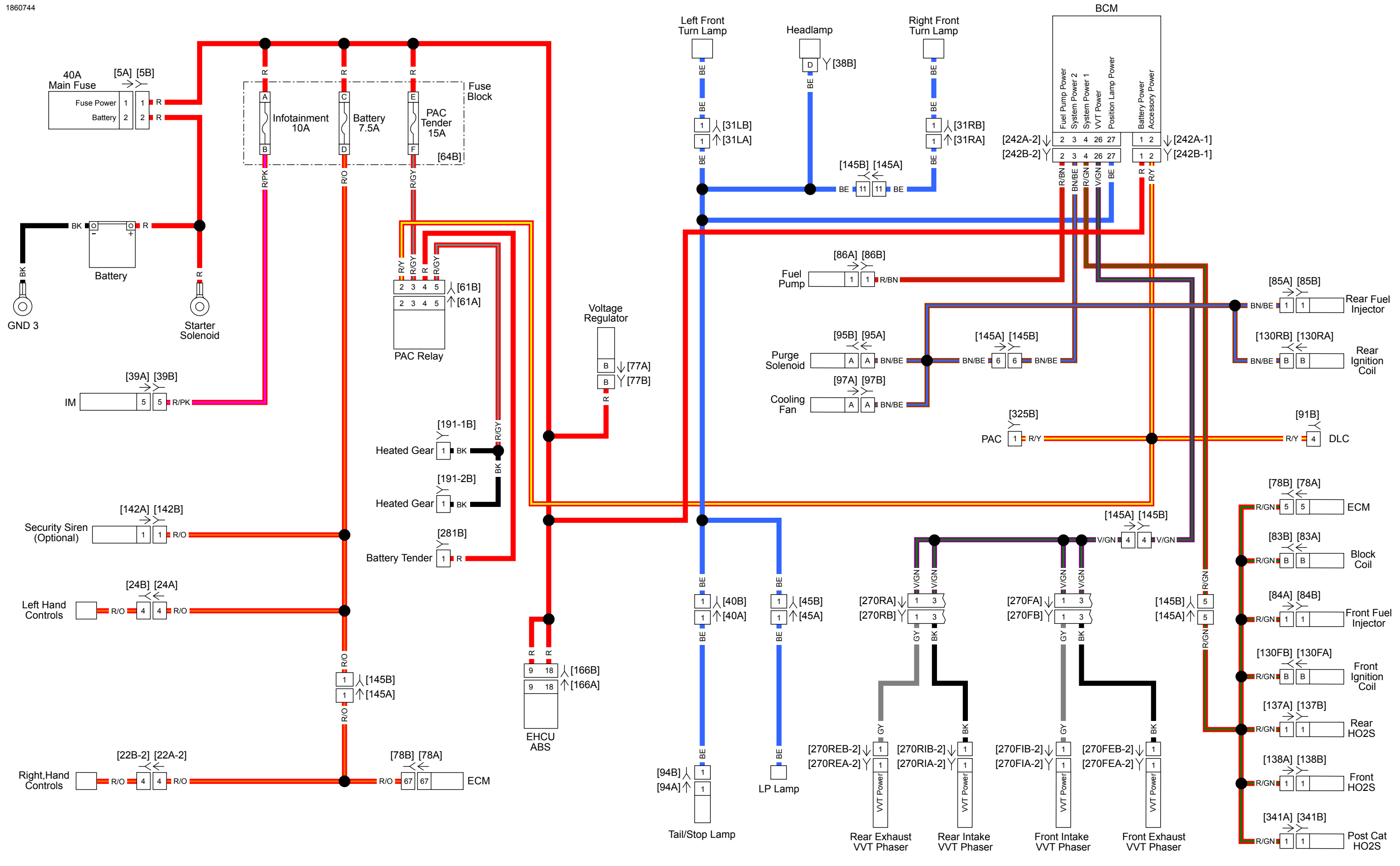


Rockford Fosgate: 6 Speakers - Fairings & Saddlebags or 6 Speakers Tour-Pak & Lower Fairings

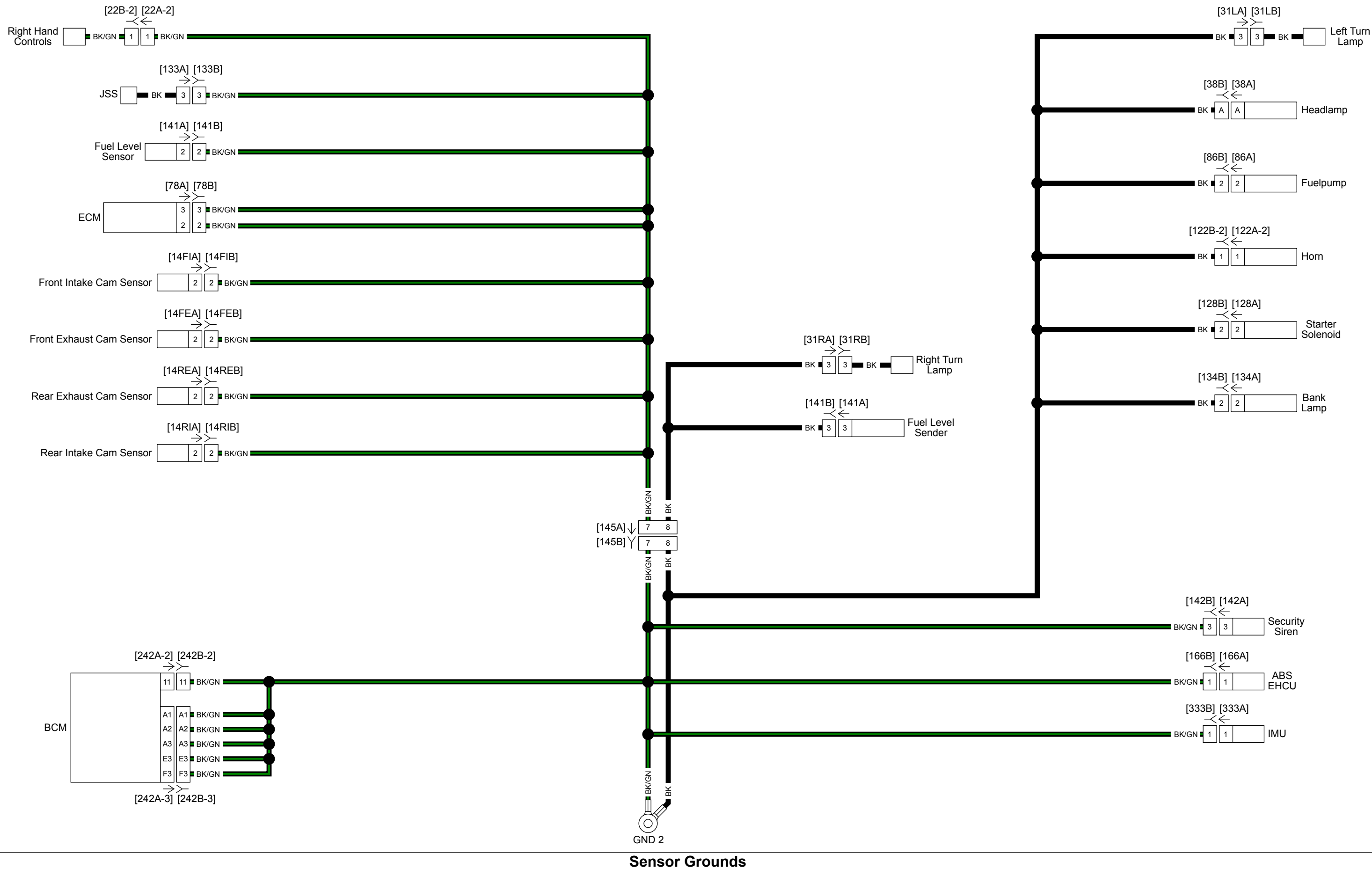
8 Speakers

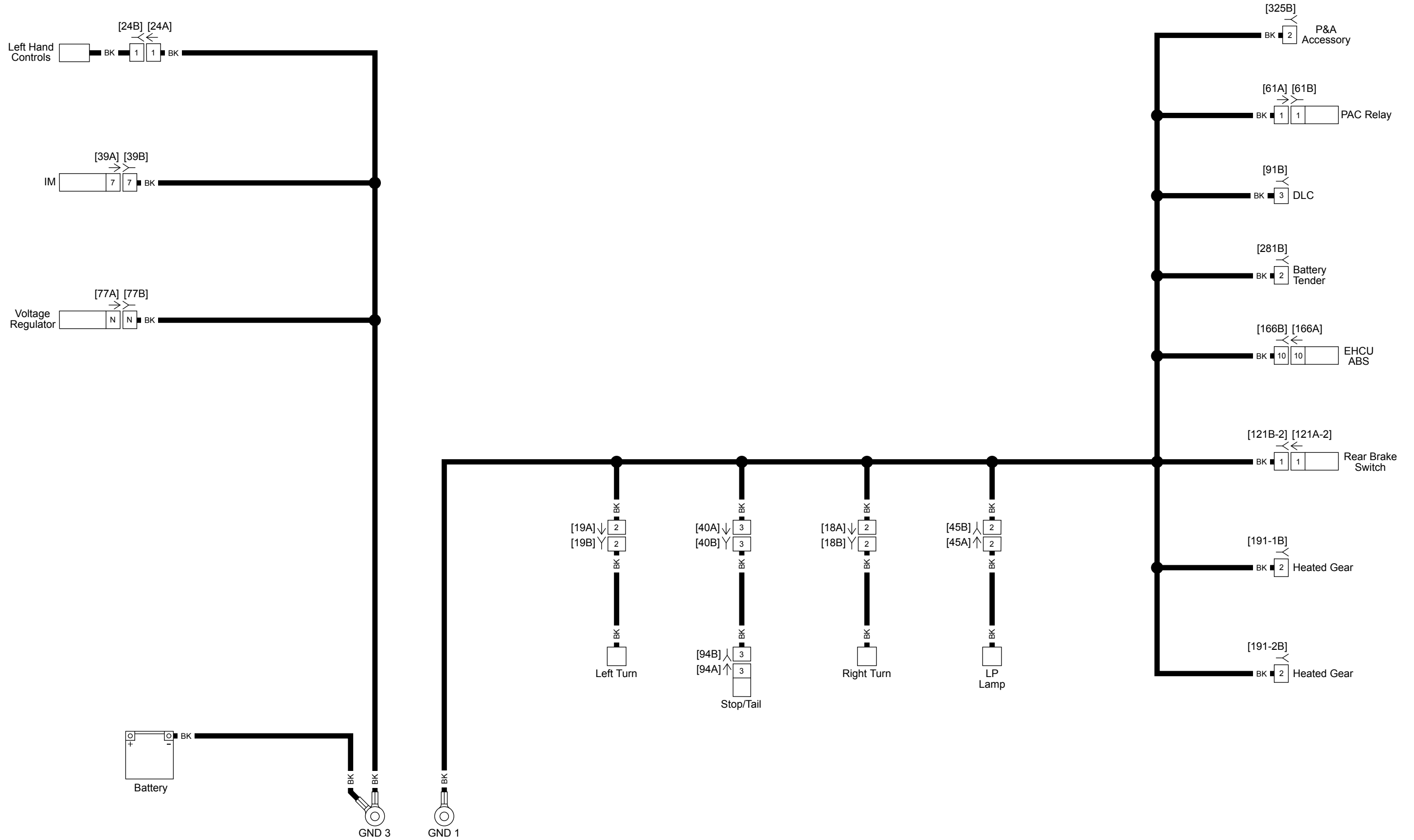


Rockford Fosgate: 8 Speakers - Saddlebags, Lower Fairings & Tour-Pak

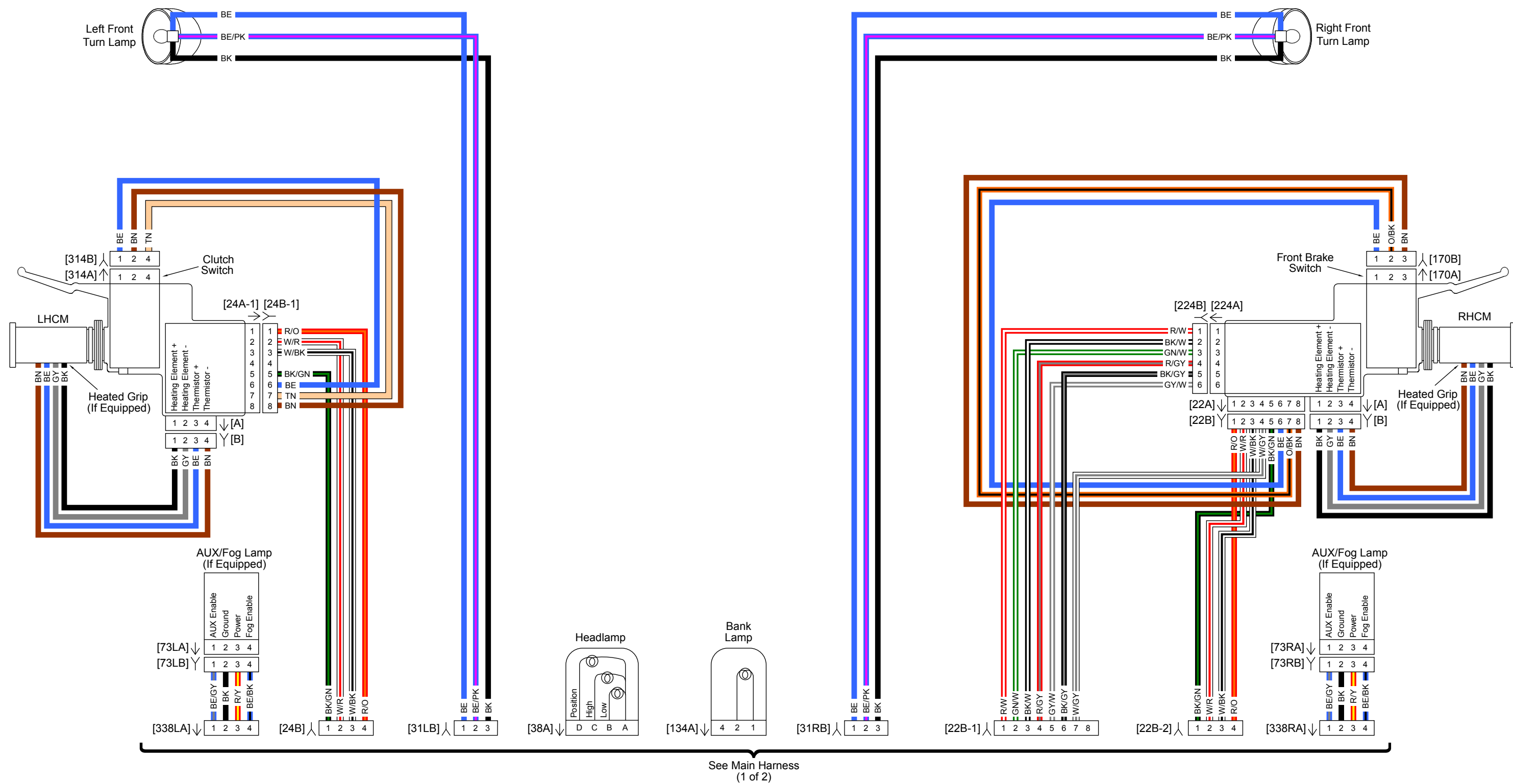


Power Distribution





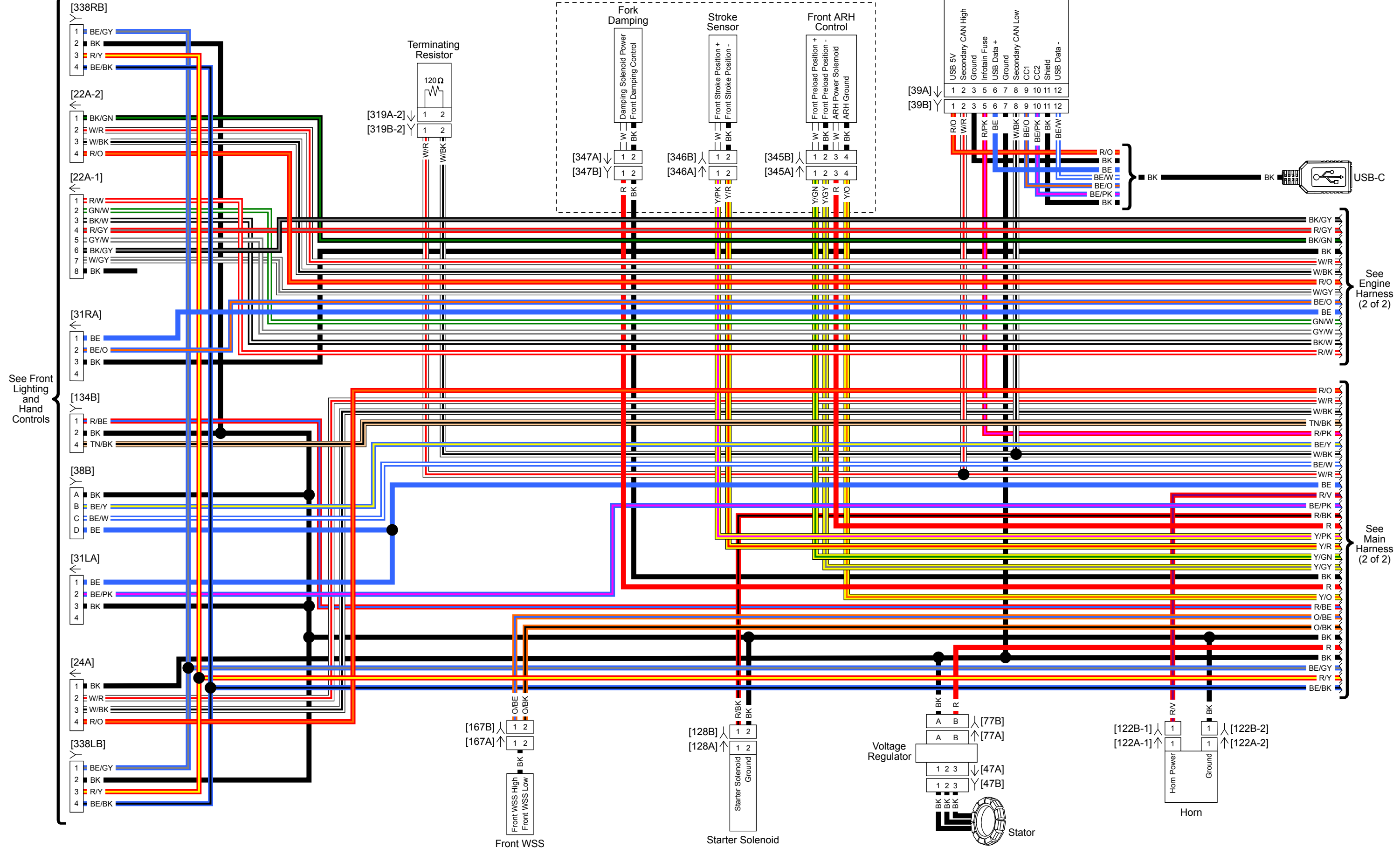
Ground Circuit



Front Lighting and Hand Controls

ARH-Electric Suspension Only

Instrument

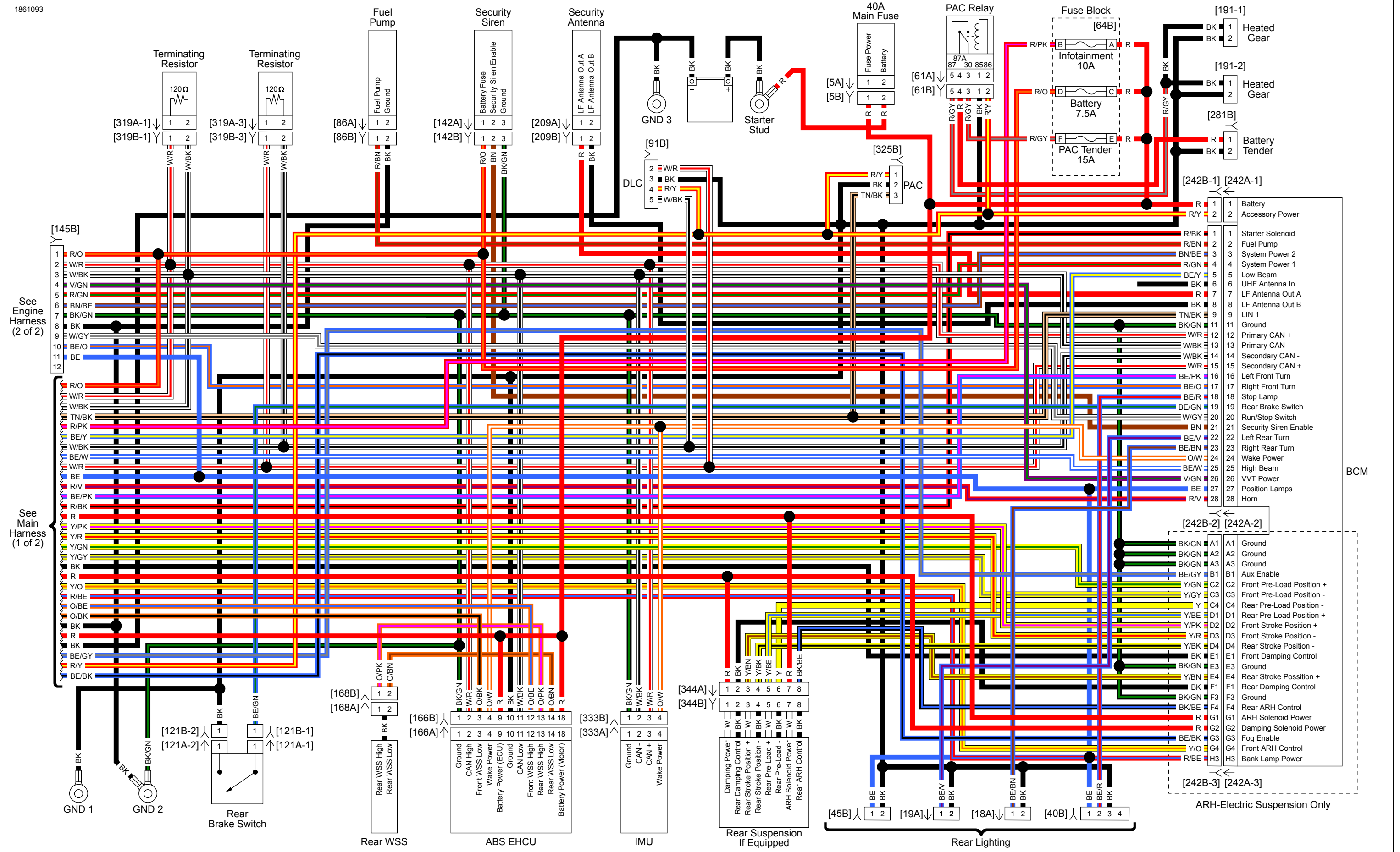


See Front Lighting and Hand Controls

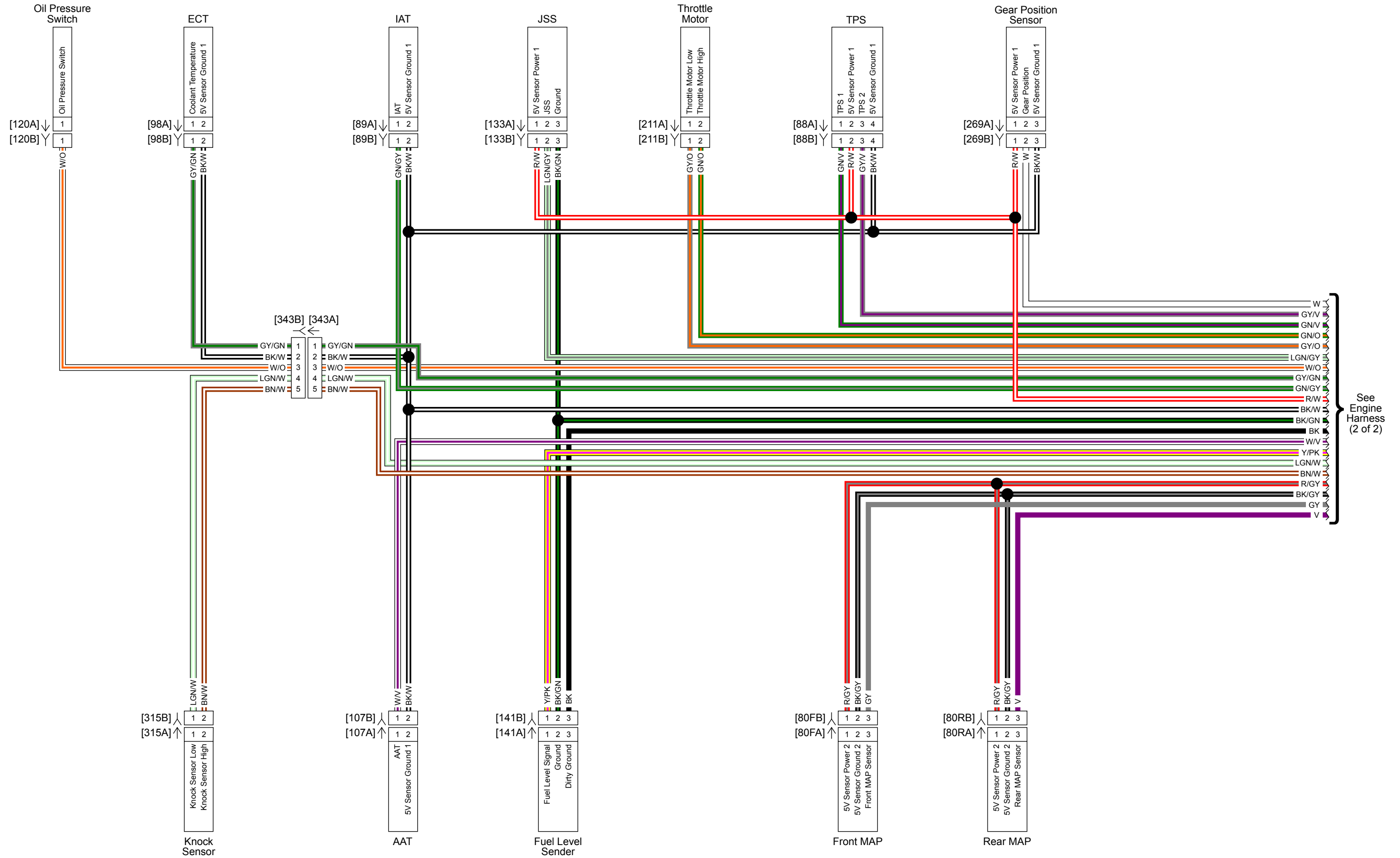
See Engine Harness (2 of 2)

See Main Harness (2 of 2)

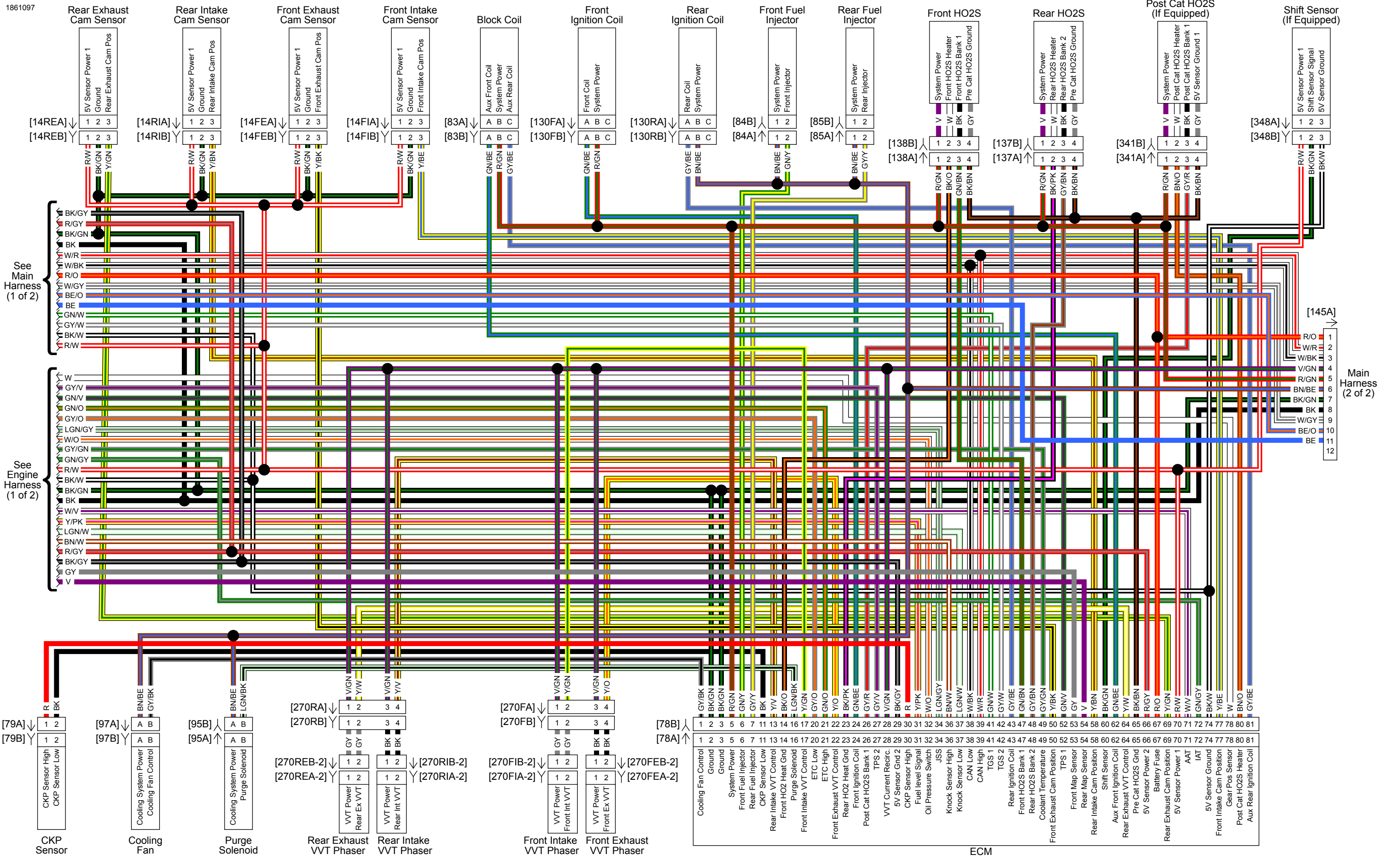
Main Harness 1 of 2



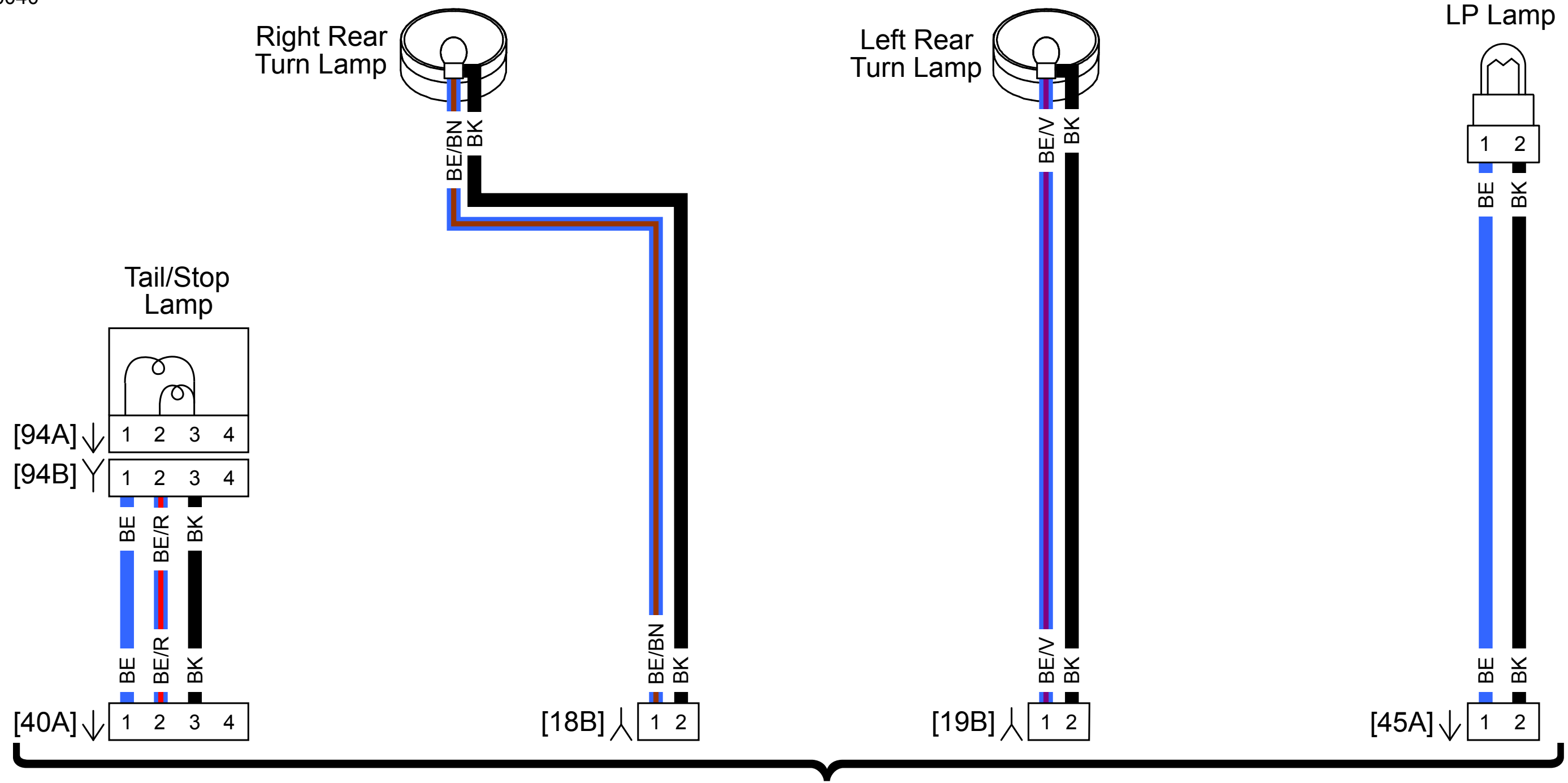
Main Harness 2 of 2



Engine Harness 1 of 2

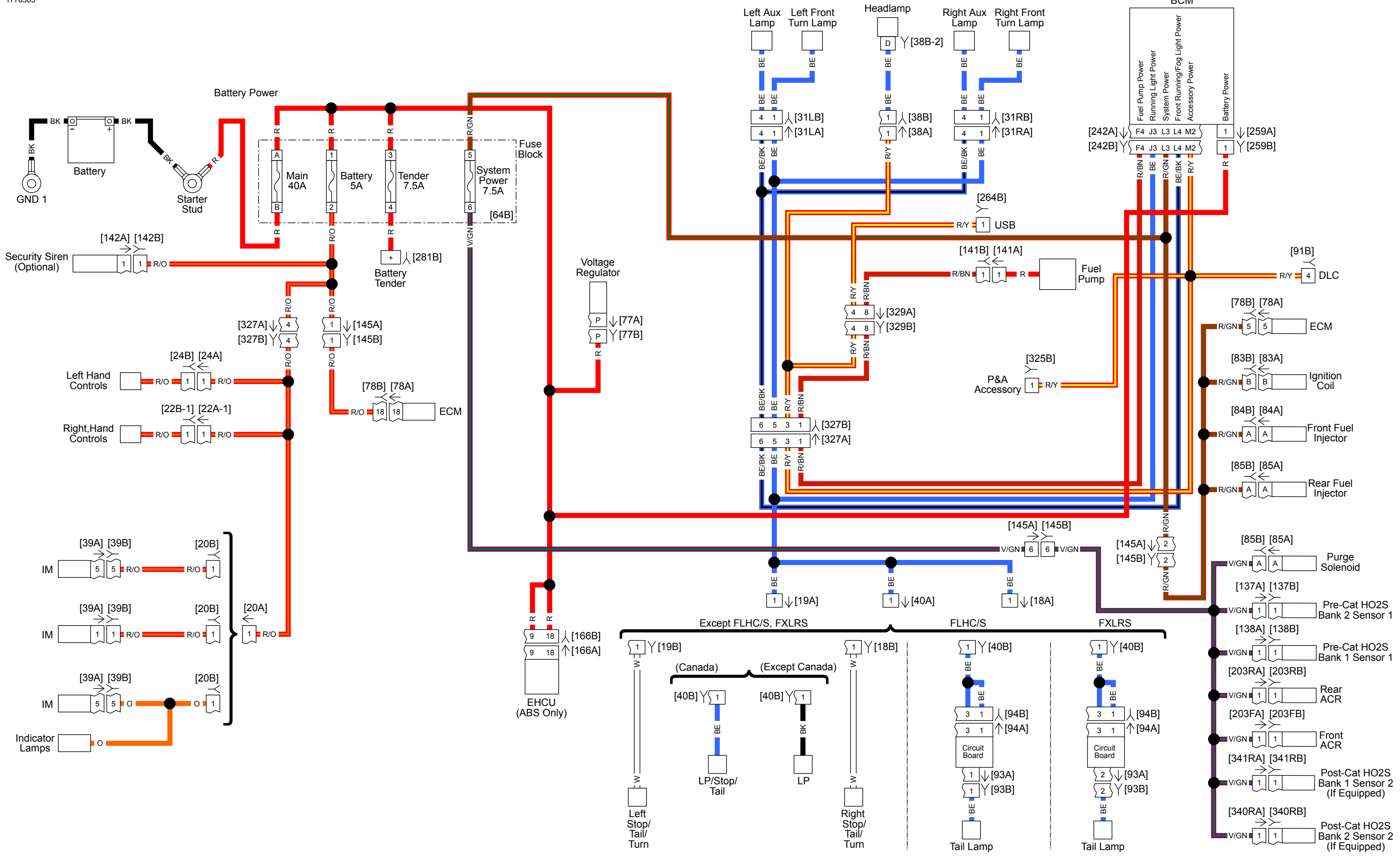


Engine Harness 2 of 2

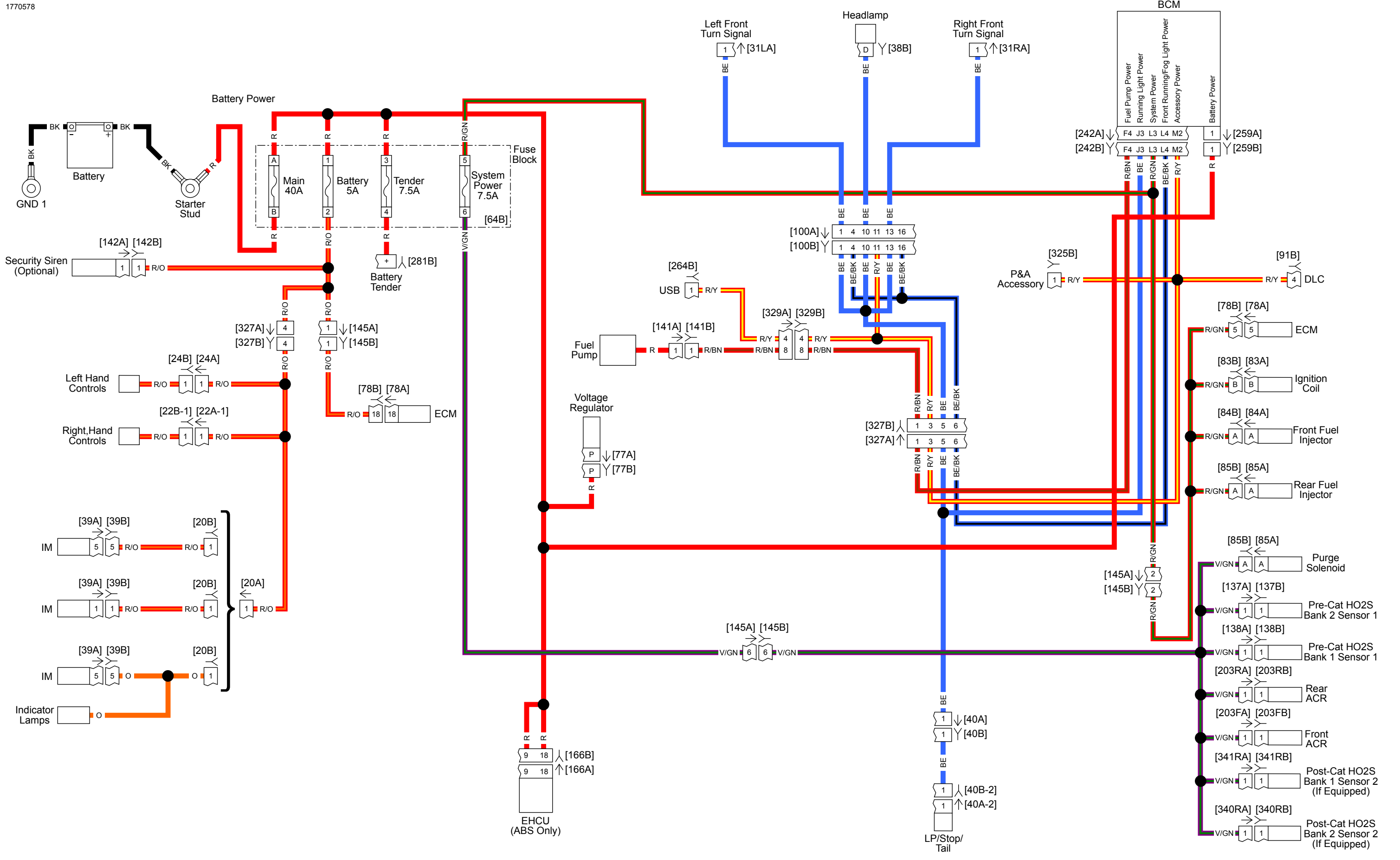


See Main Harness
(2 of 2)

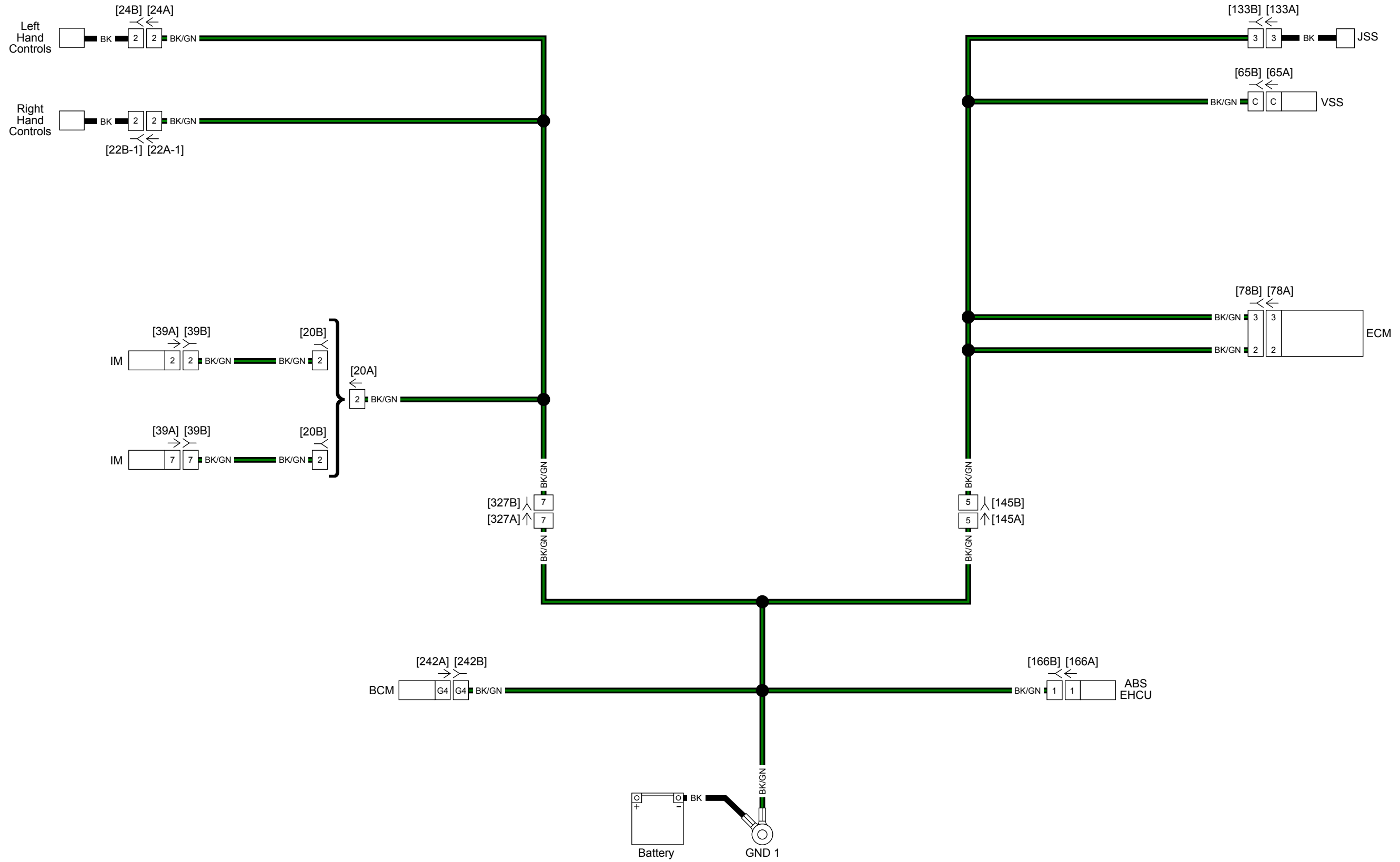
Rear Lighting



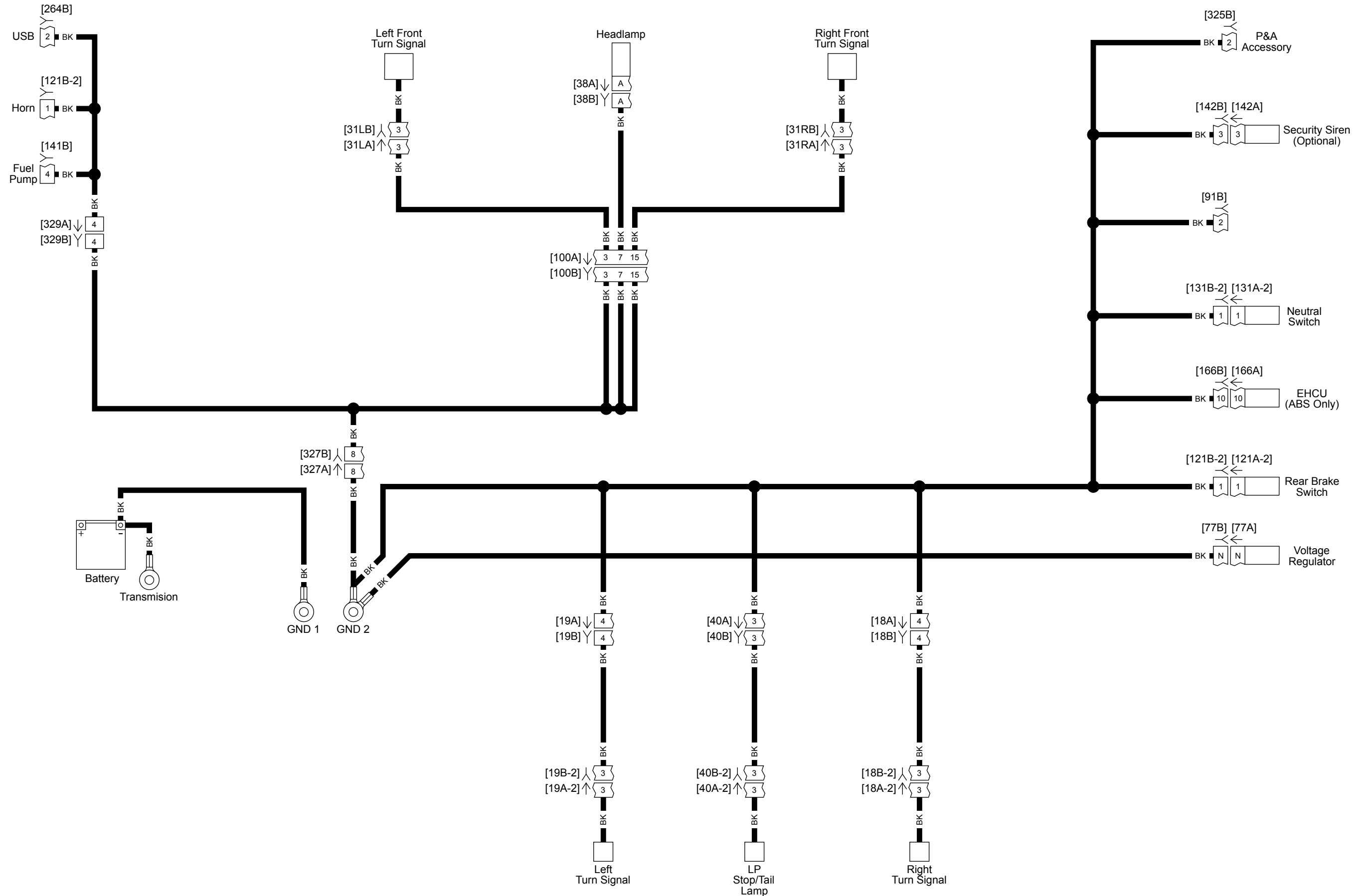
Power Distribution (Except FXLRST): Softail



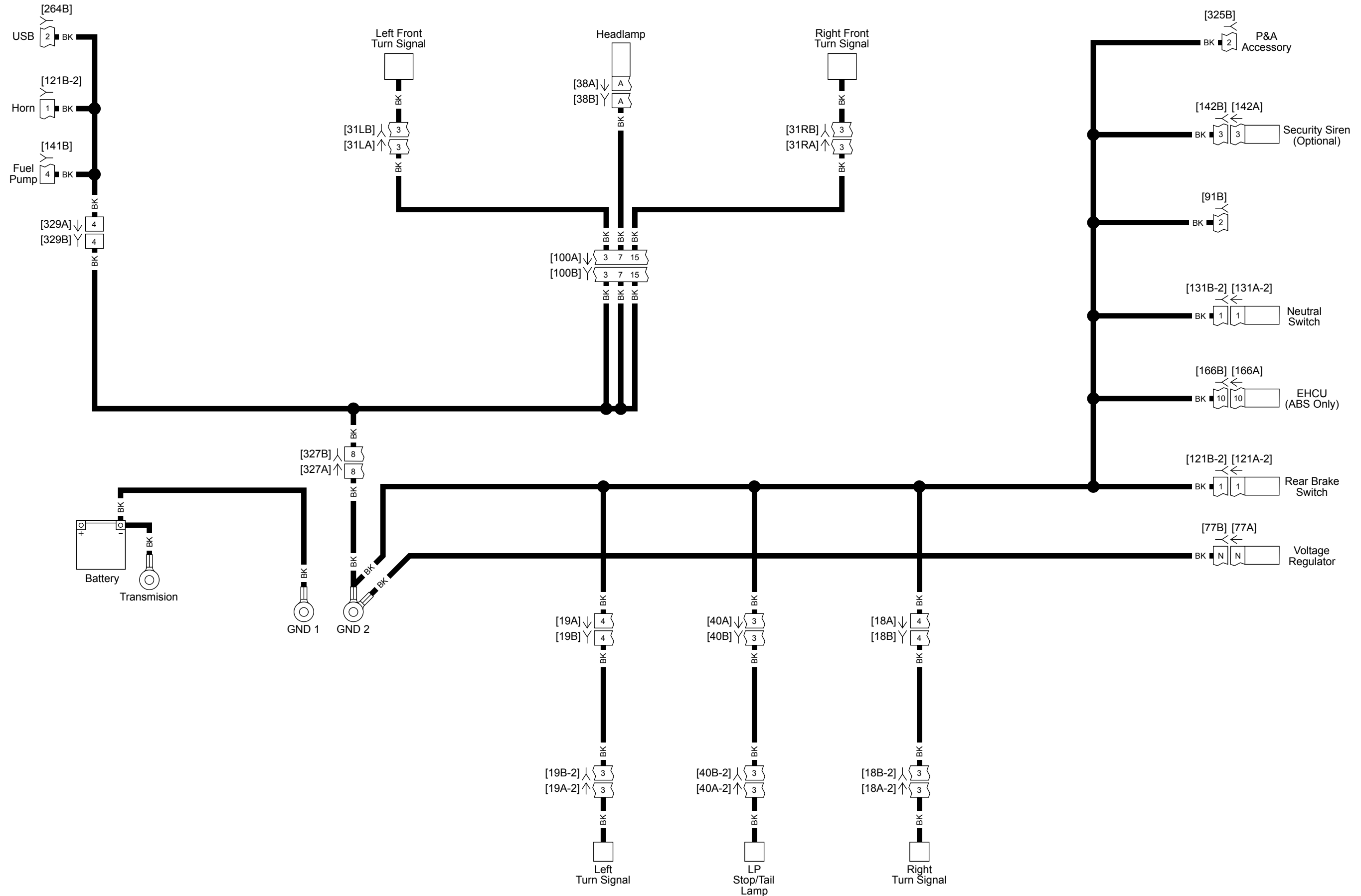
Power Distribution (FXLRST): Softail



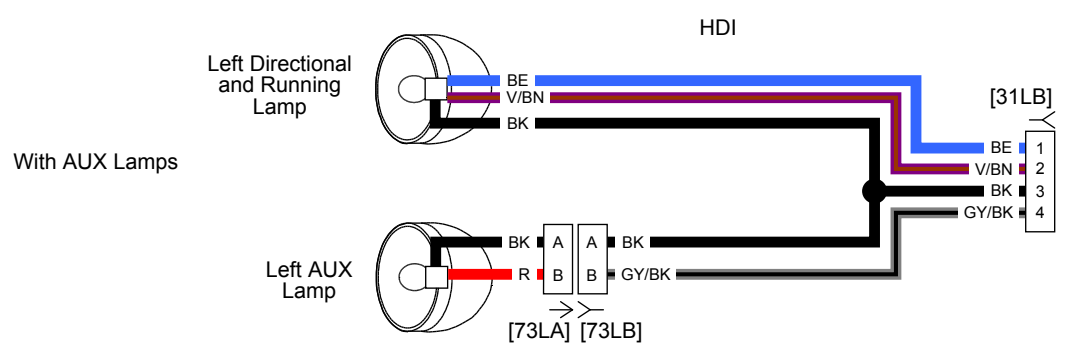
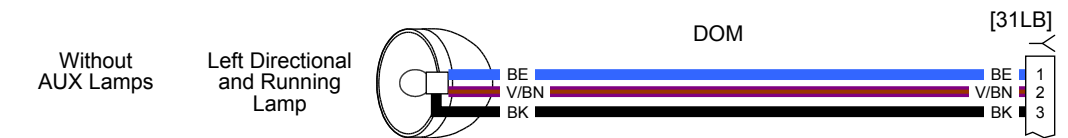
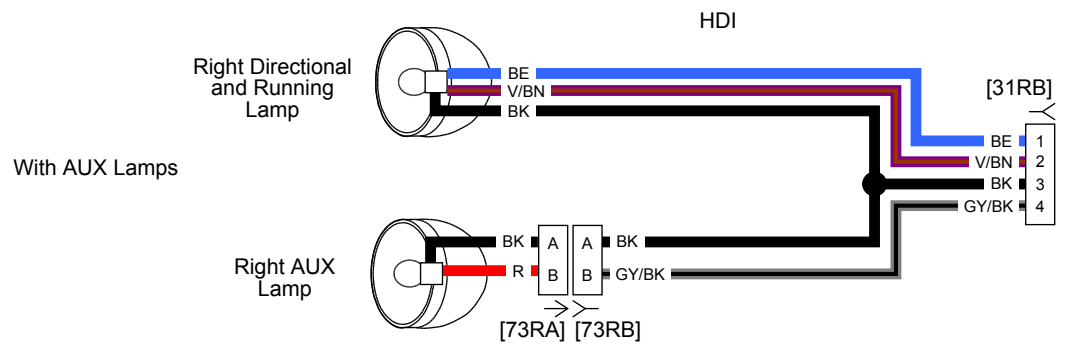
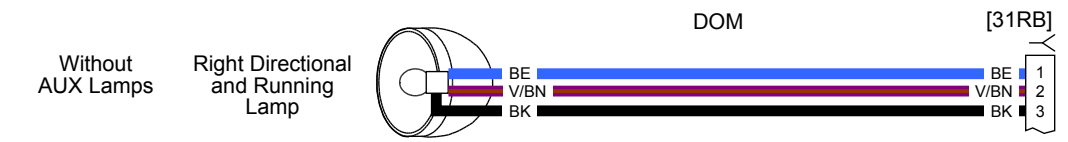
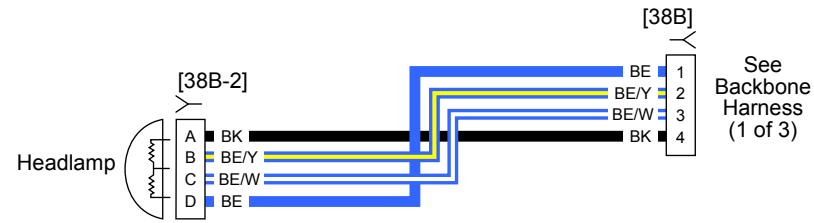
Sensor Grounds: Softail



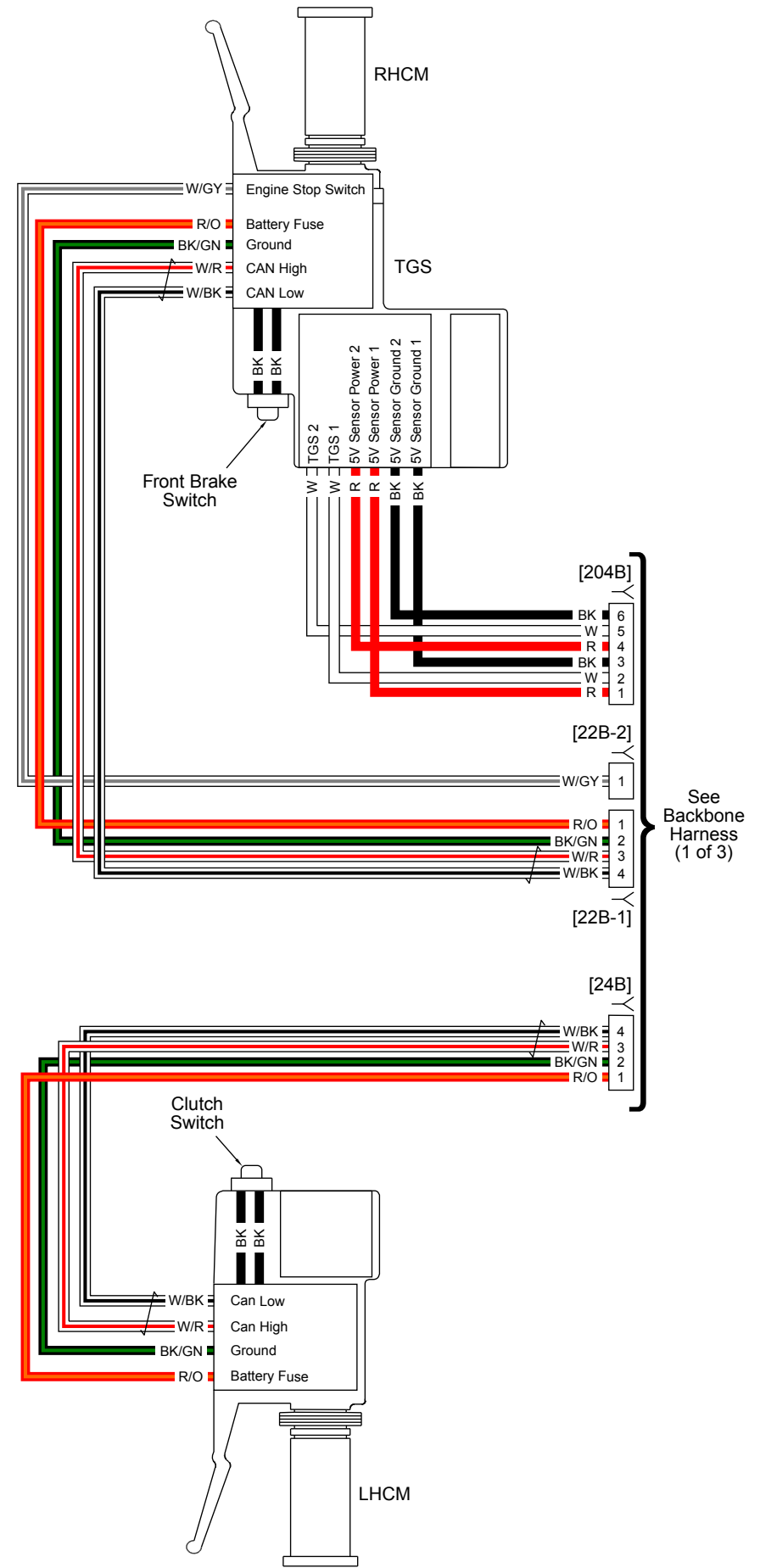
Ground Circuit (Except FXLRST): Softail



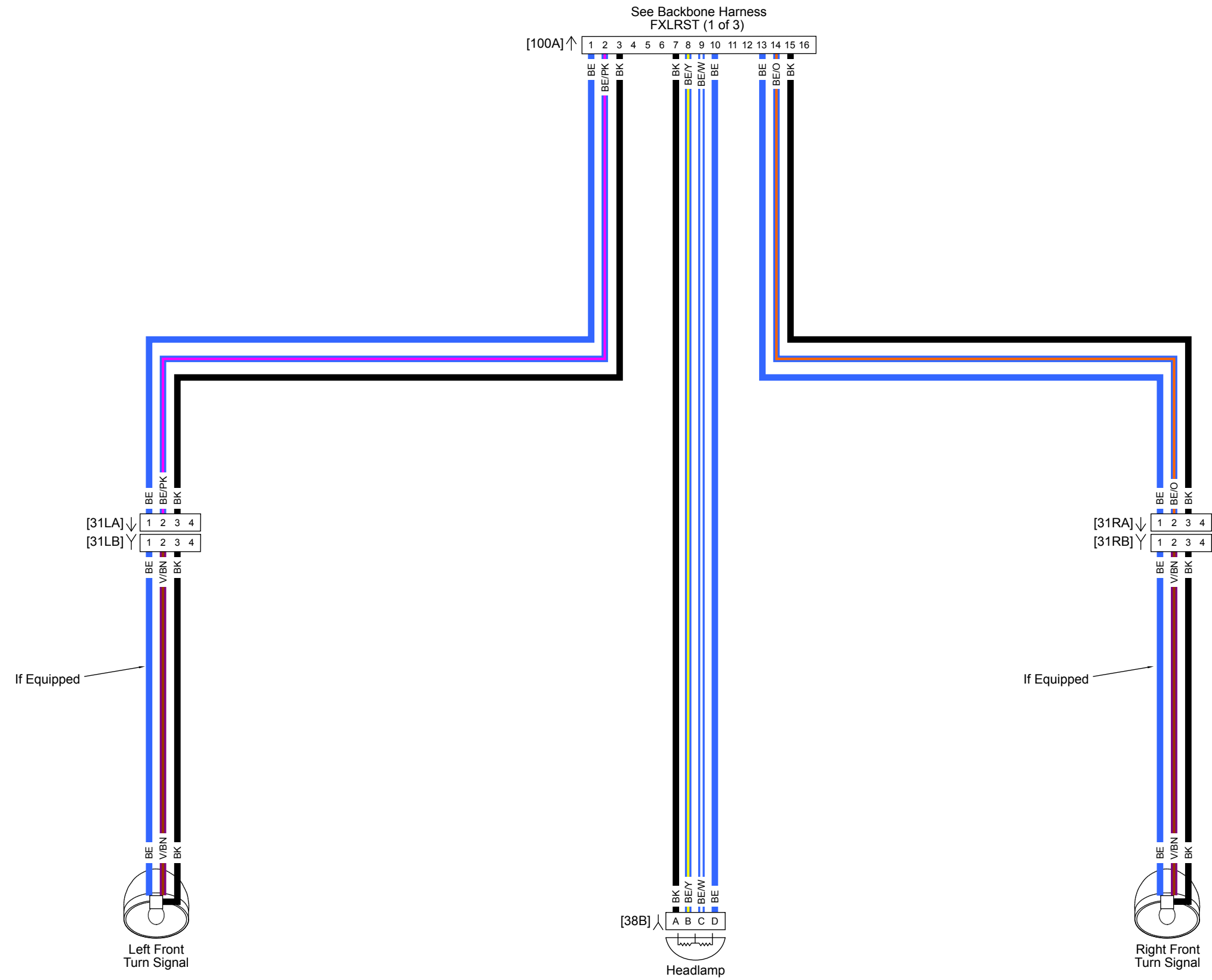
Ground Circuit (FXLRST): Softail



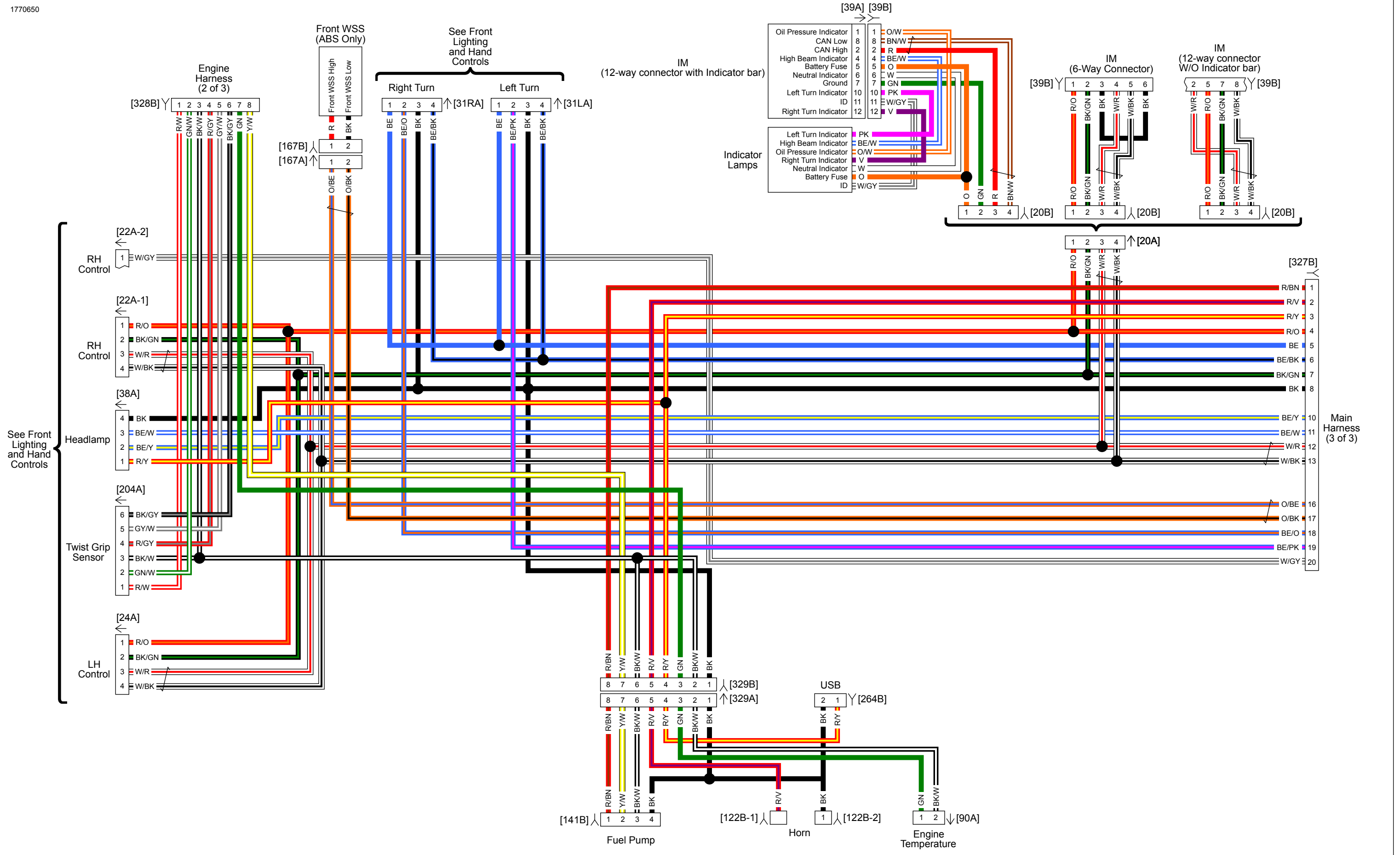
See Backbone Harness (1 of 3)



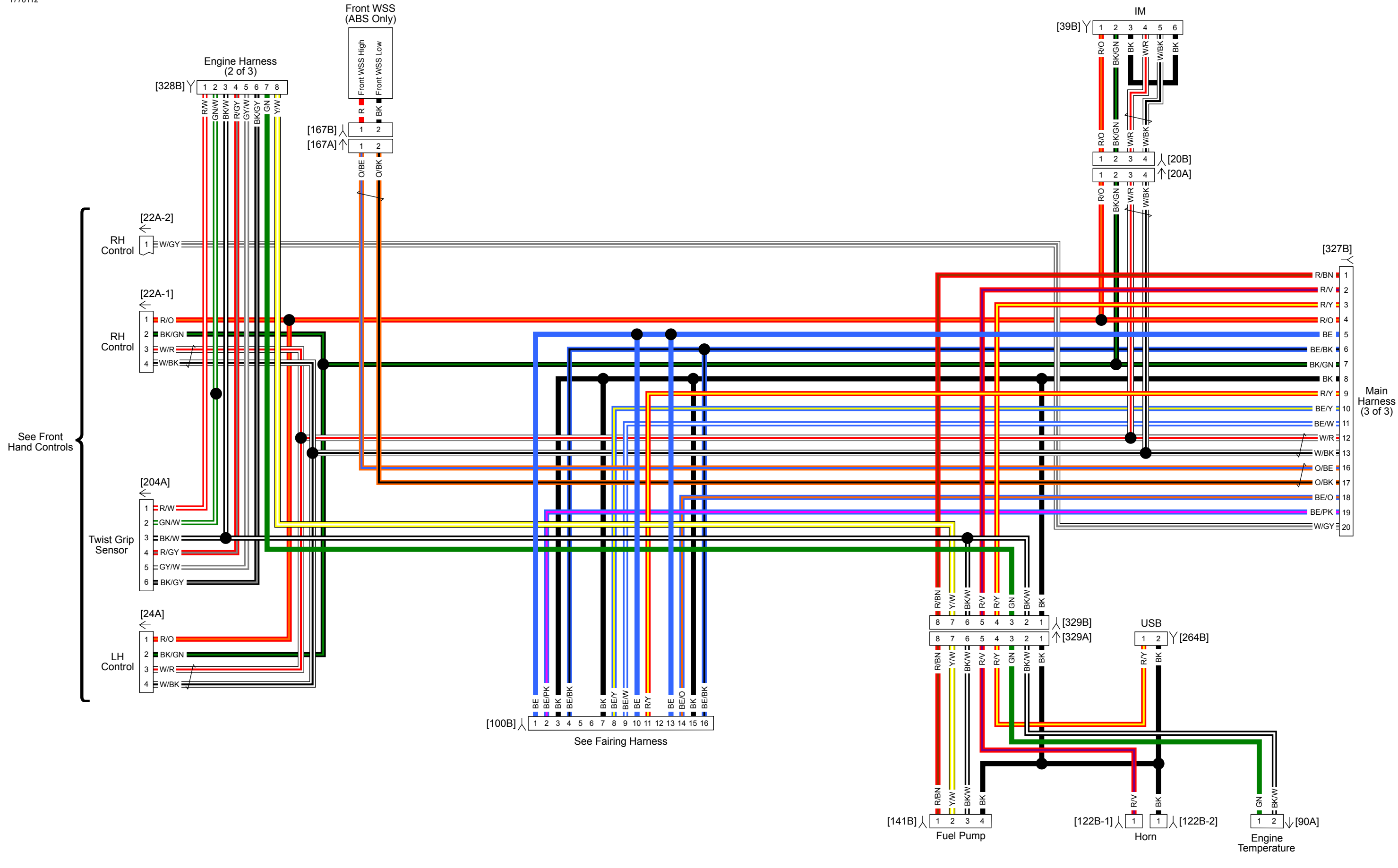
Front Lighting and Hand Controls: Softail



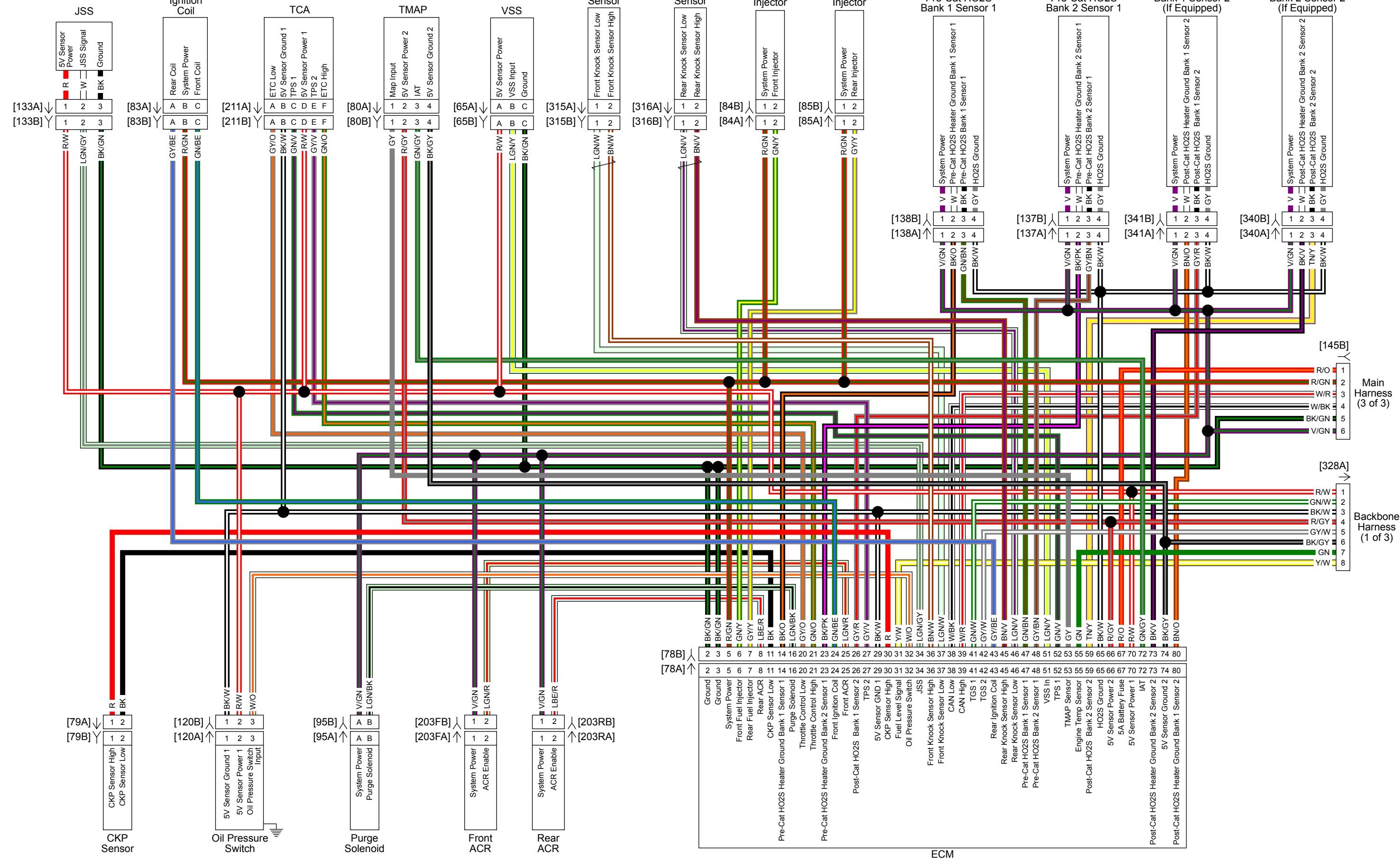
Fairing Harness (FXLRST): Softail



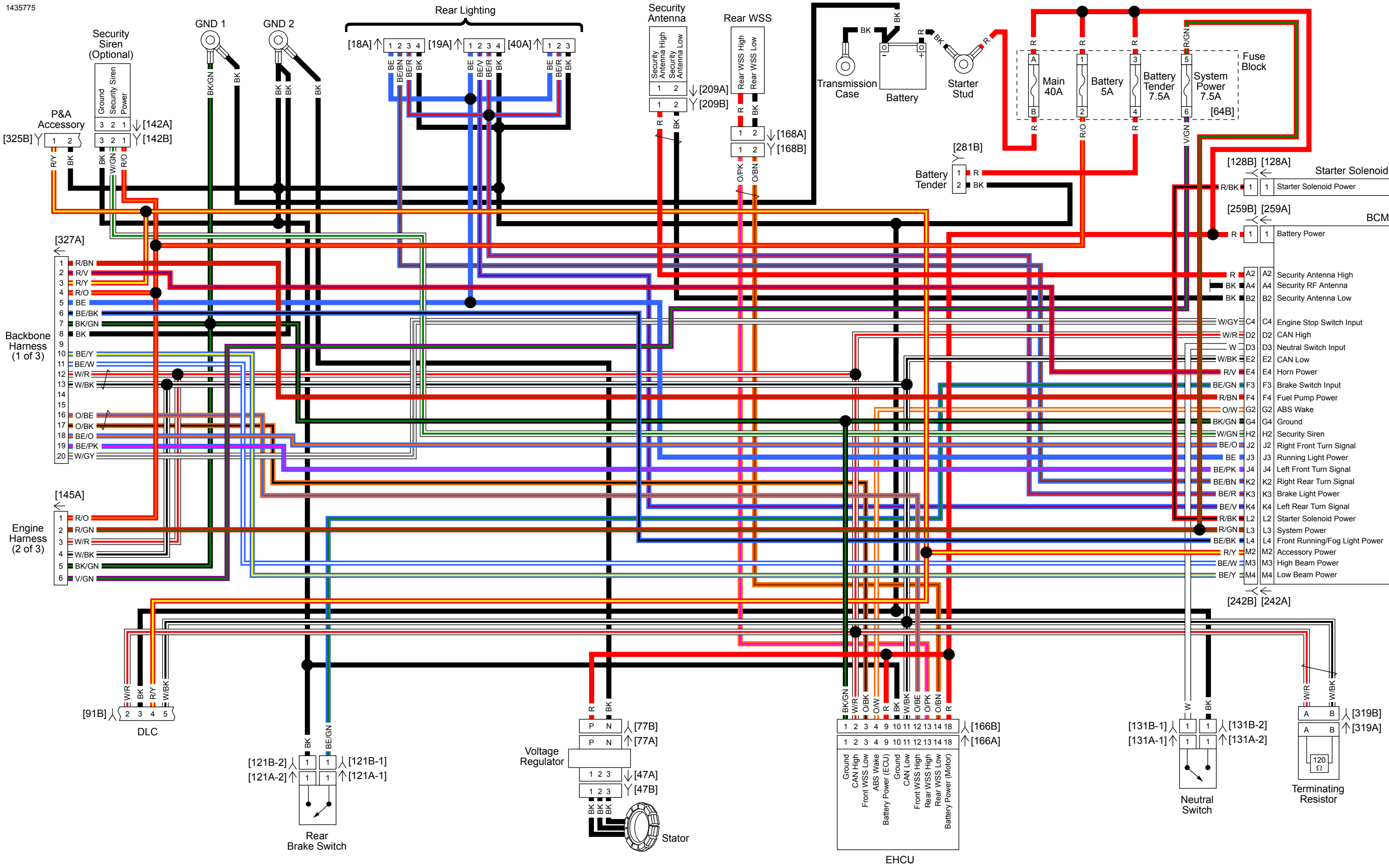
Backbone Harness (Except FXLRST) 1 of 3: Softail



Backbone Harness (FXLRST) 1 of 3: Softail

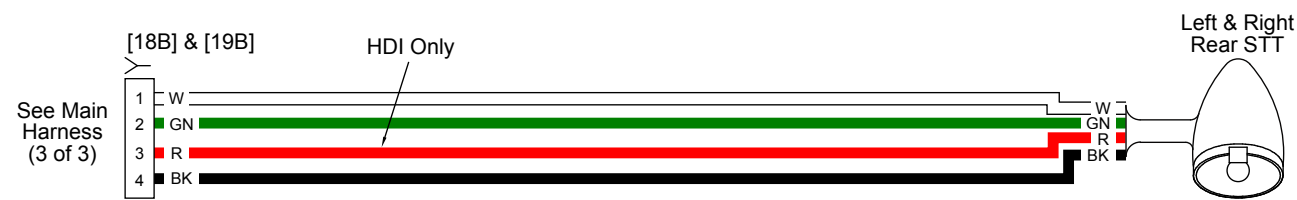


Engine Harness 2 of 3: Softail



Main Harness 3 of 3: Softail

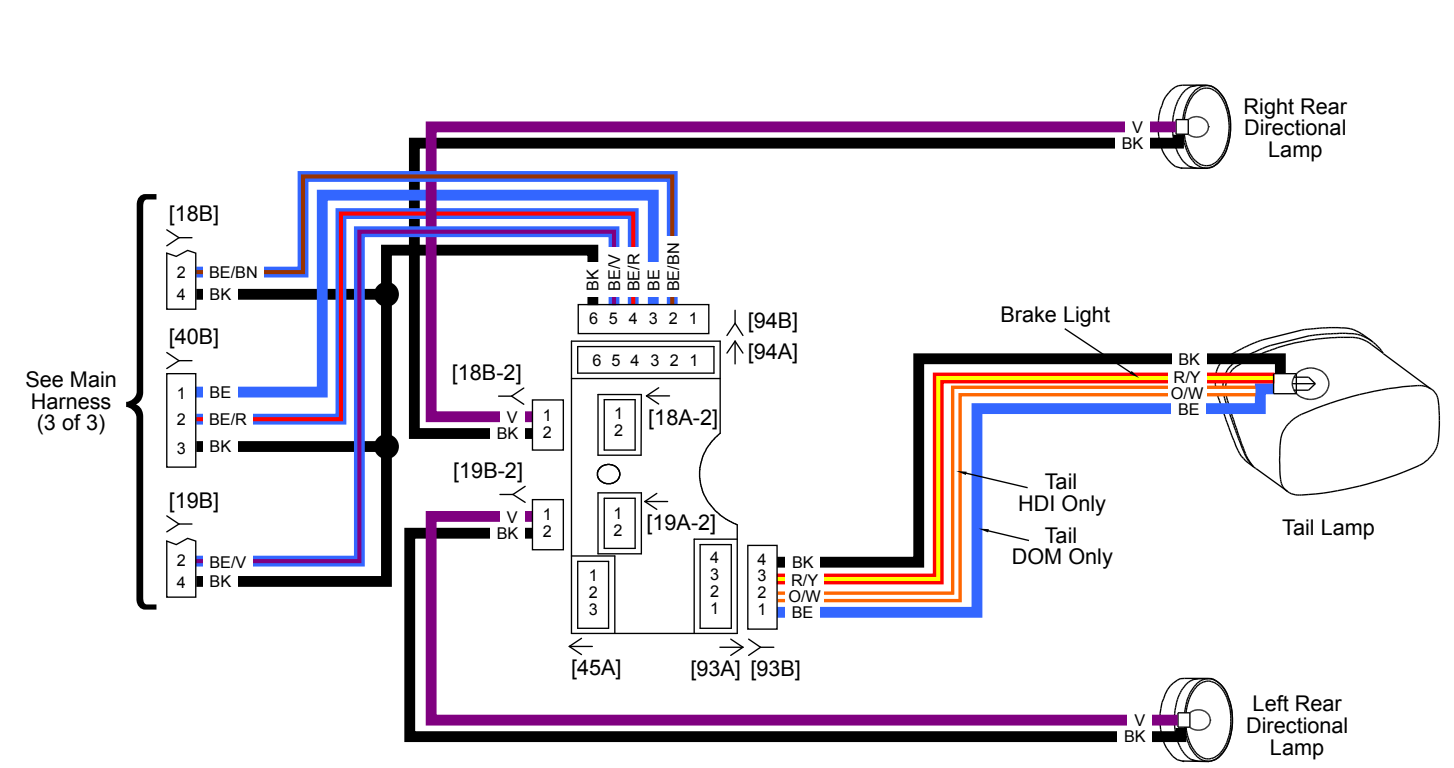
Rear Lighting



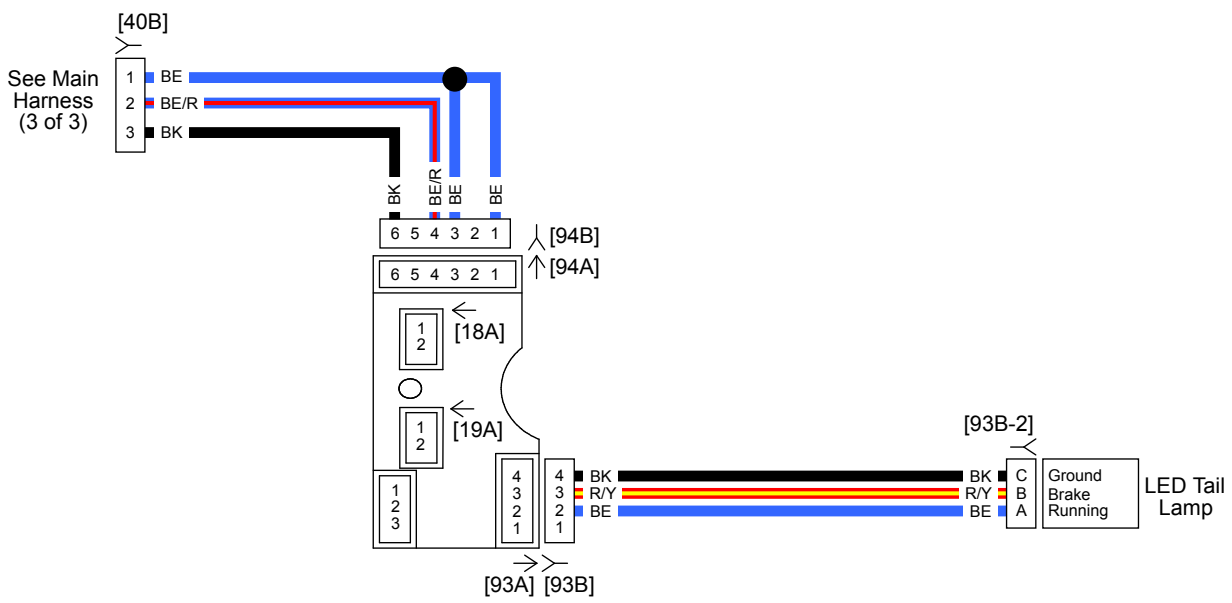
Except FLHC/S, FXLRST



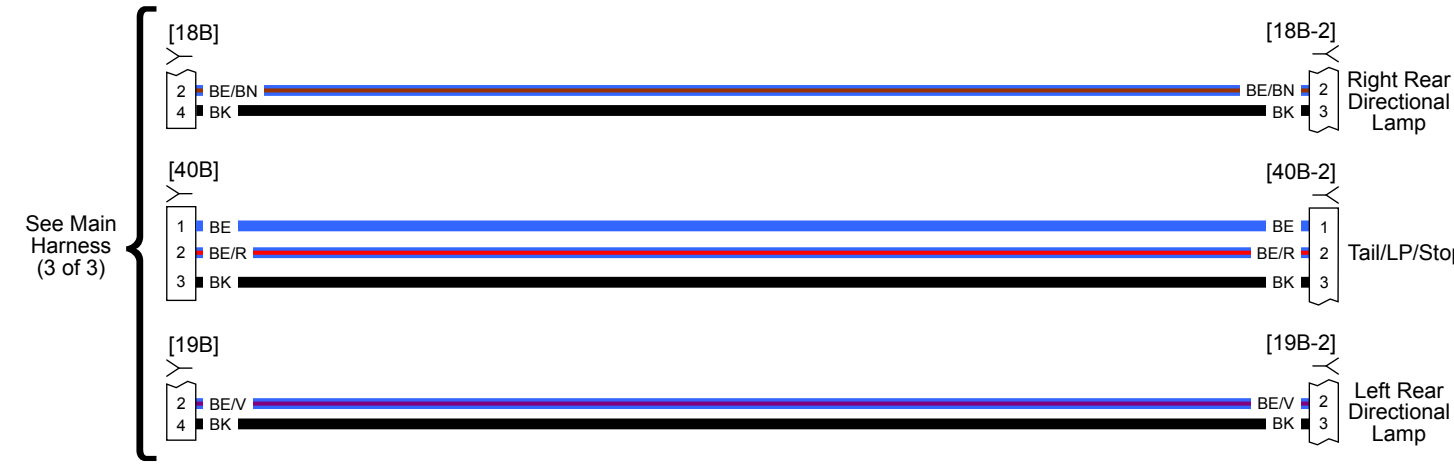
Except FLHC/S, FXLRST



FLHC/S

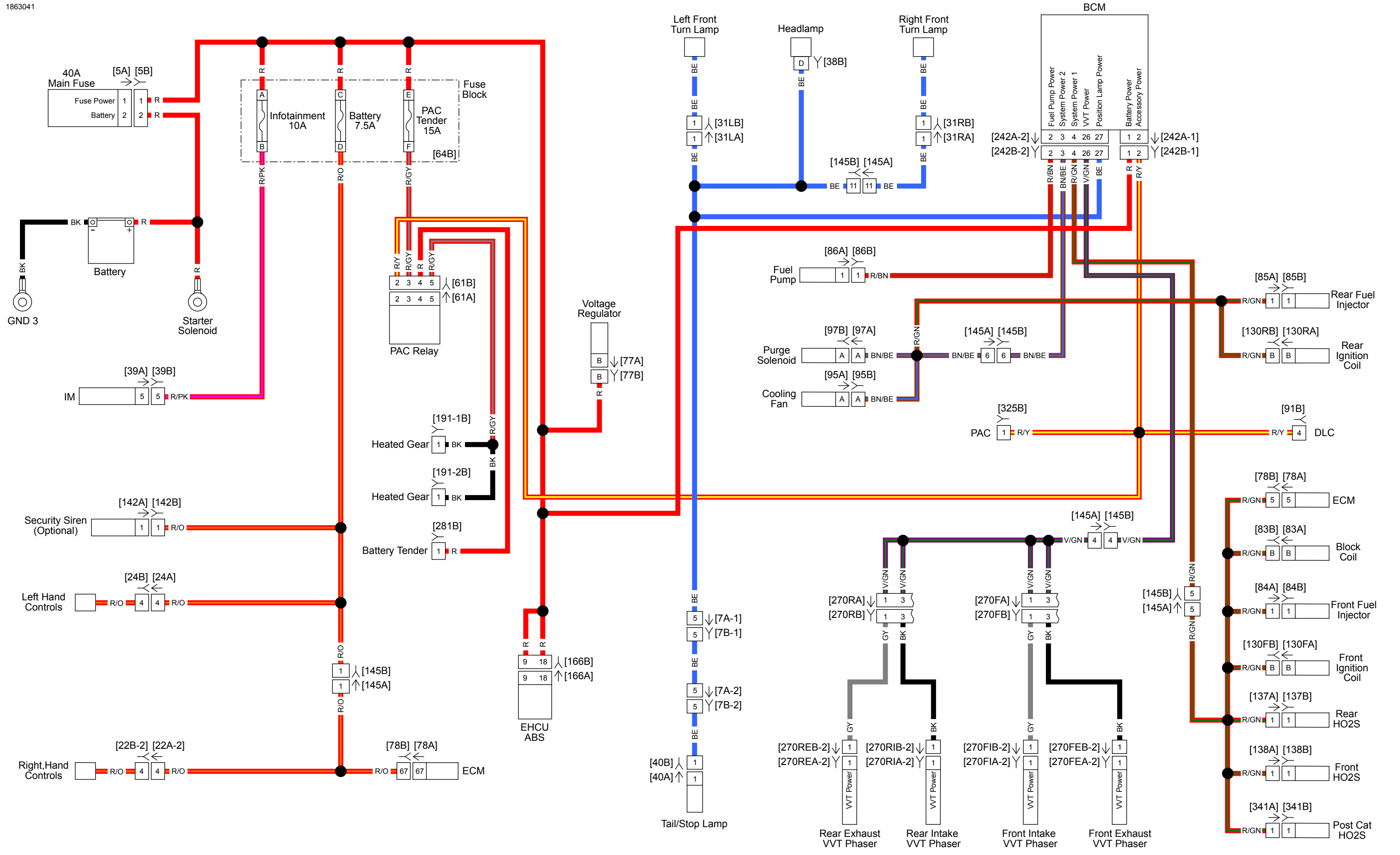


FXLR/S

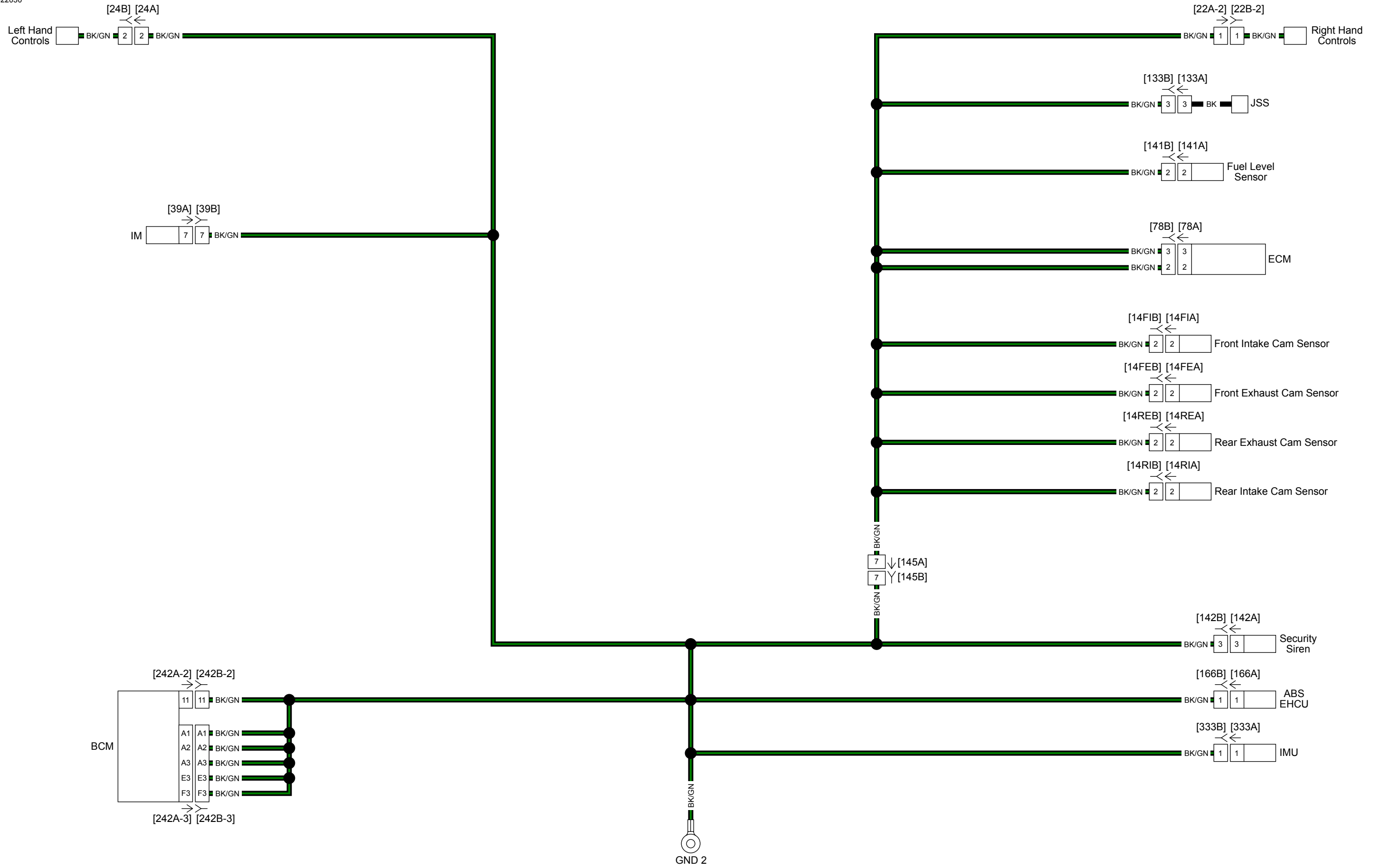


FXLRST

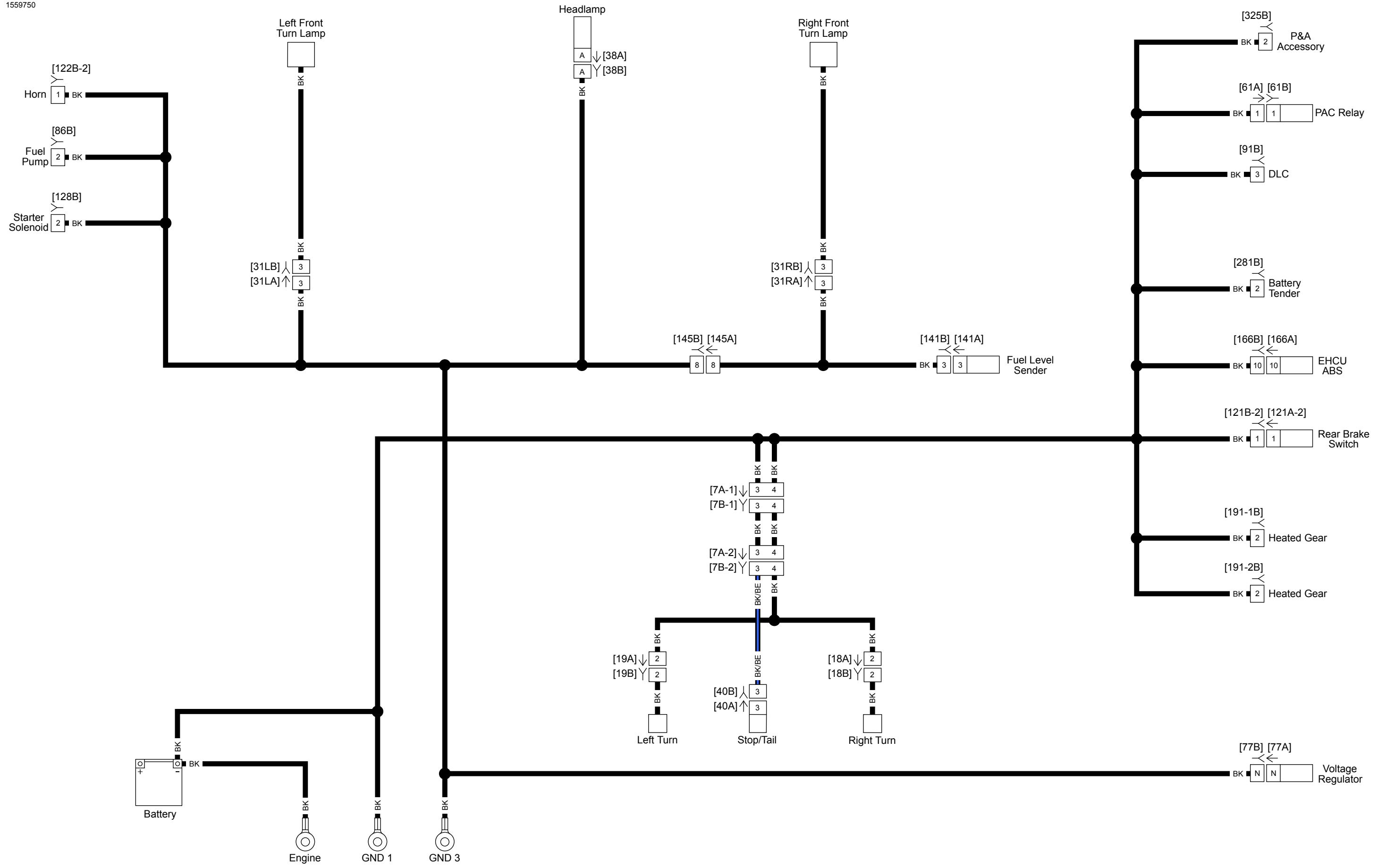
Rear Lighting: Softail



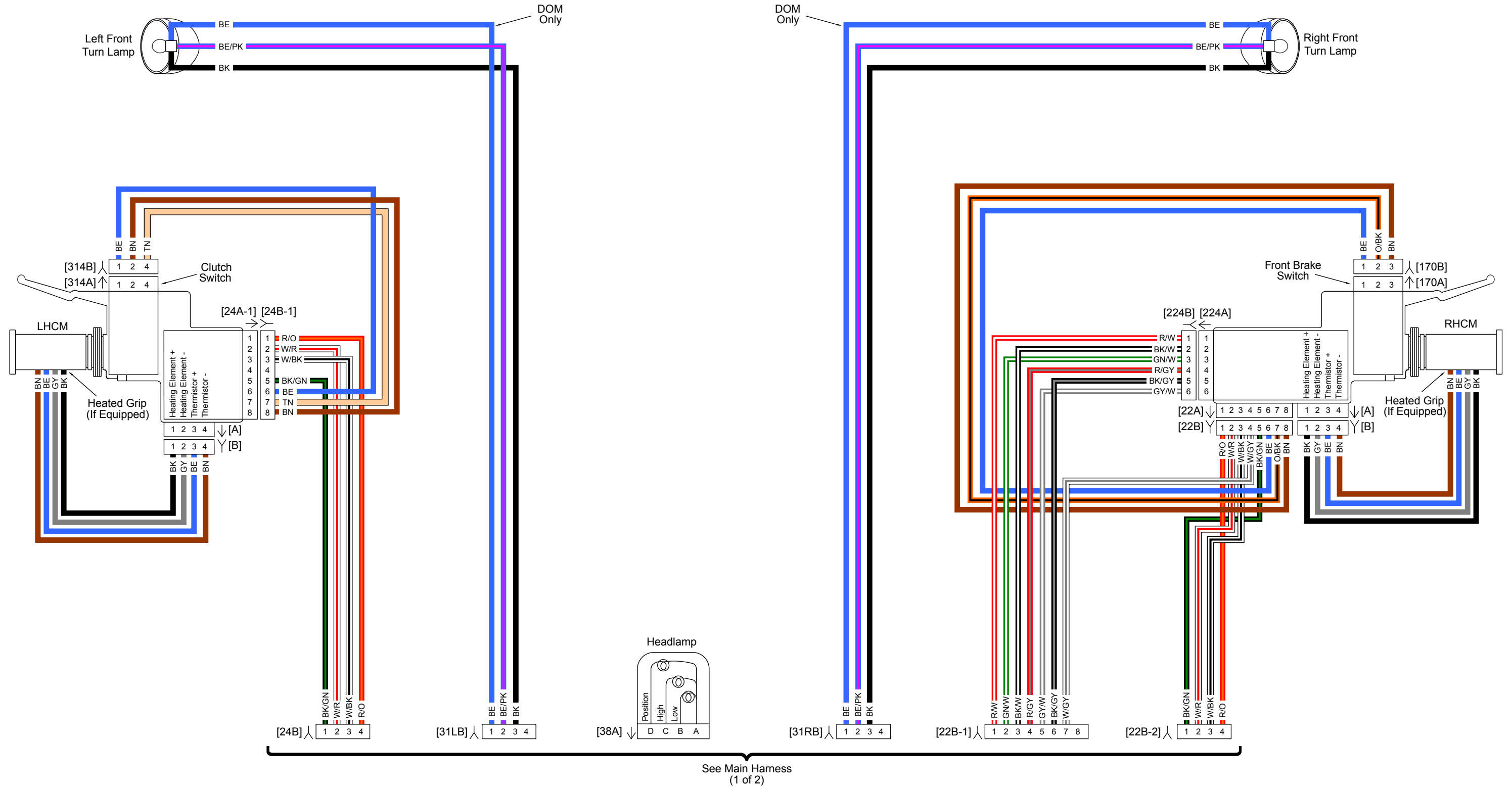
Power Distribution: All Except RH975 Models



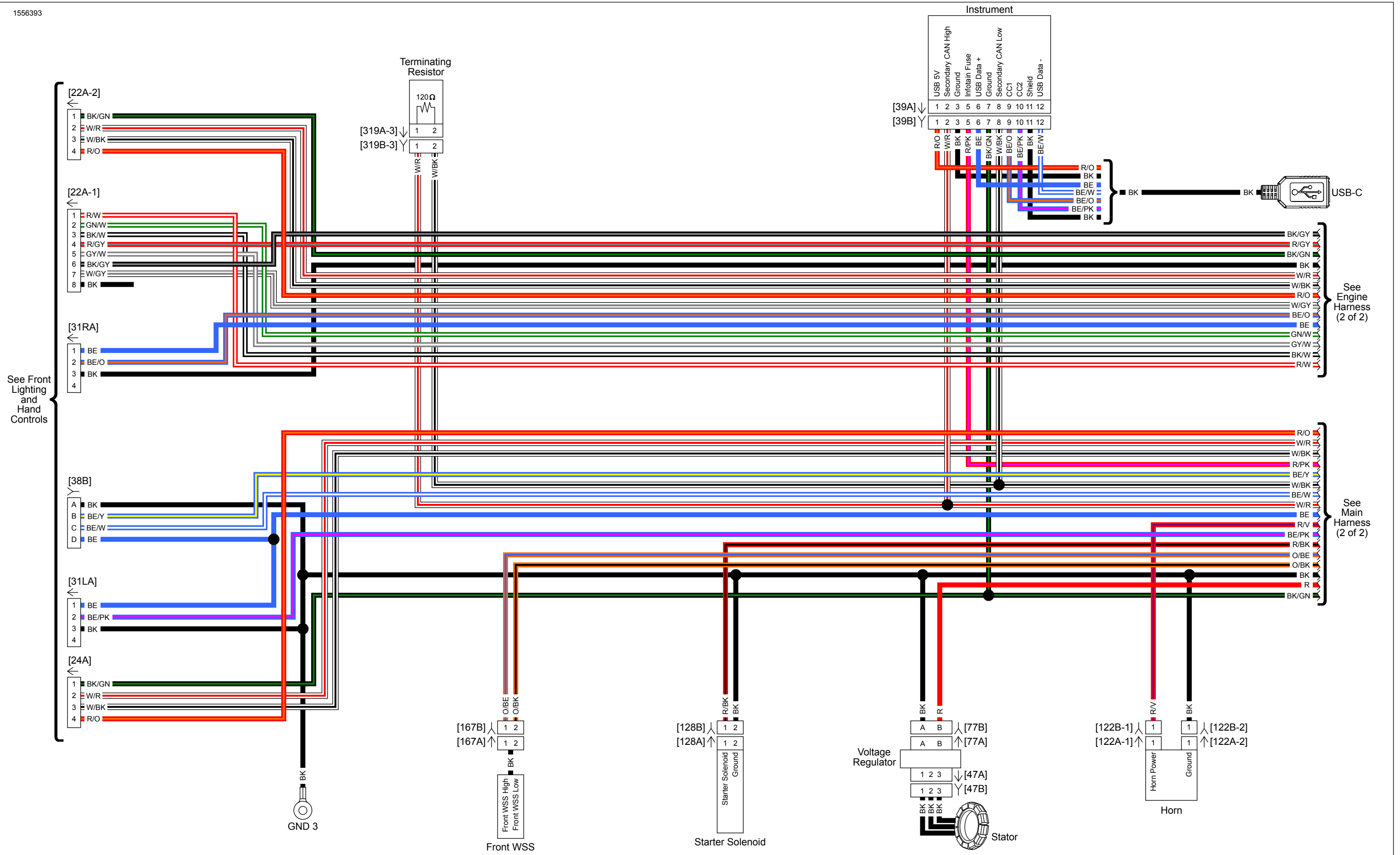
Sensor Grounds: All Except RH975 Models



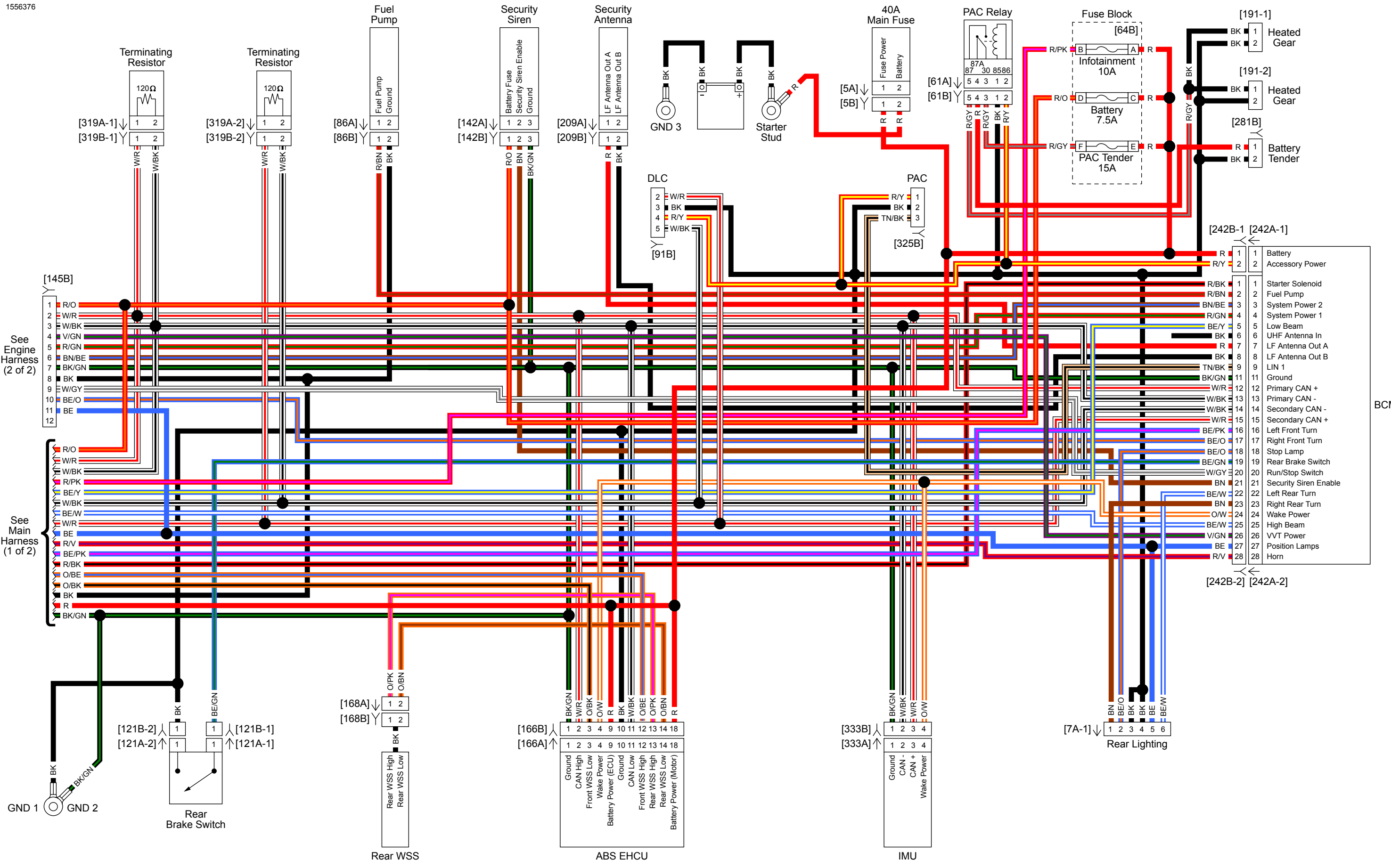
Ground Circuit: All Except RH975 Models



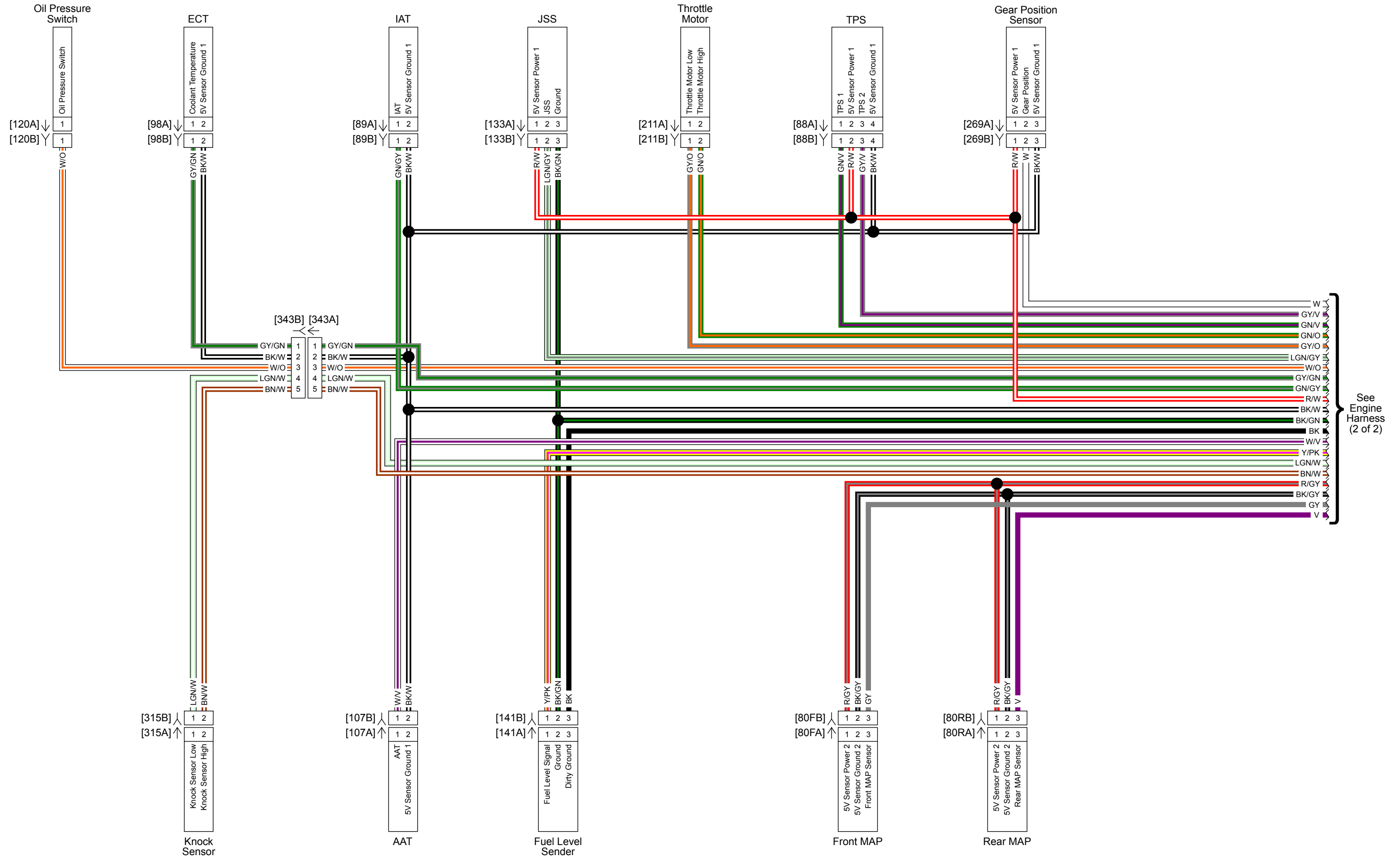
Front Lighting and Hand Controls: All Except RH975 Models



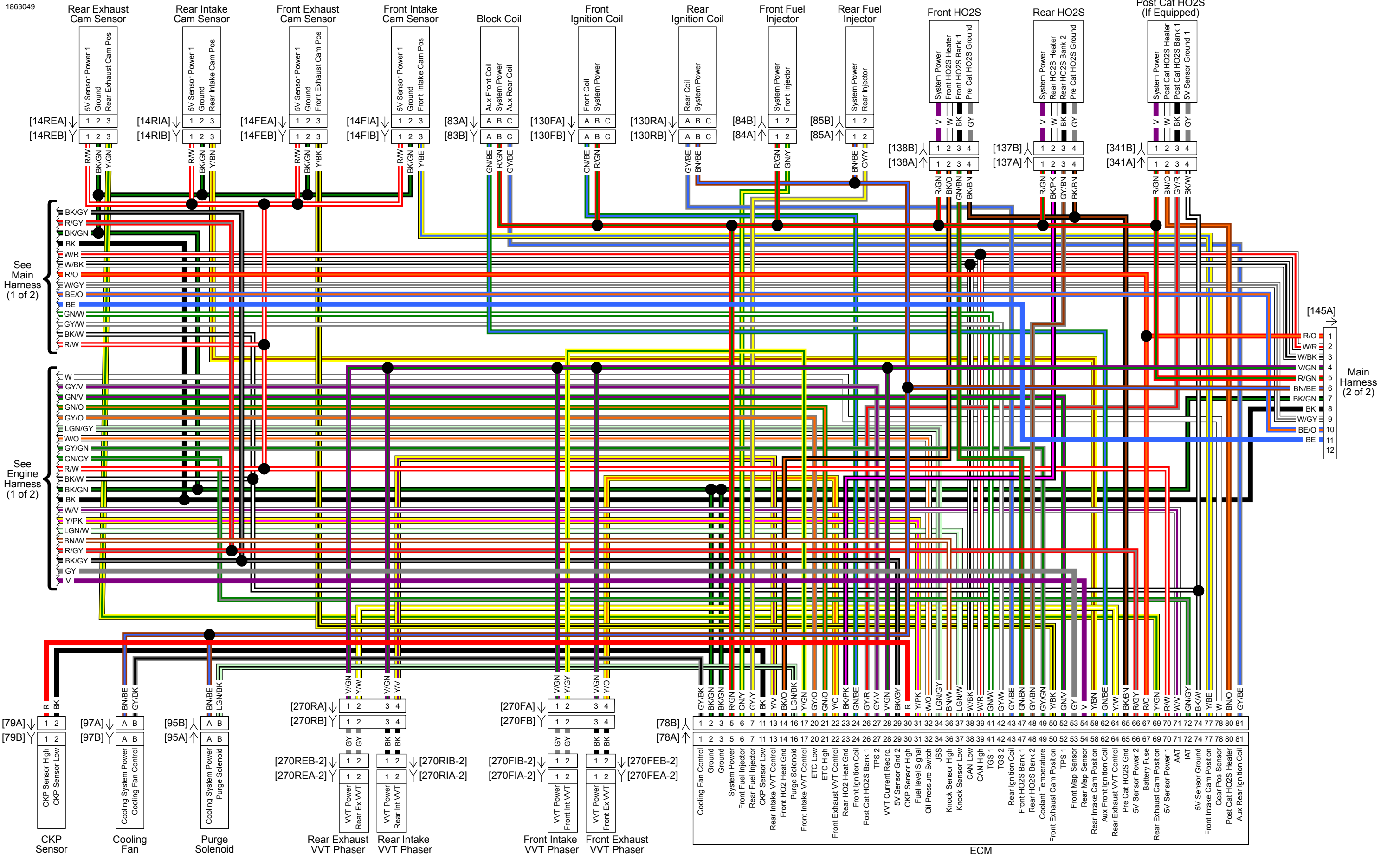
Main Harness 1 of 2: All Except RH975 Models



Main Harness 2 of 2: All Except RH975 Models



Engine Harness 1 of 2: All Except RH975 Models

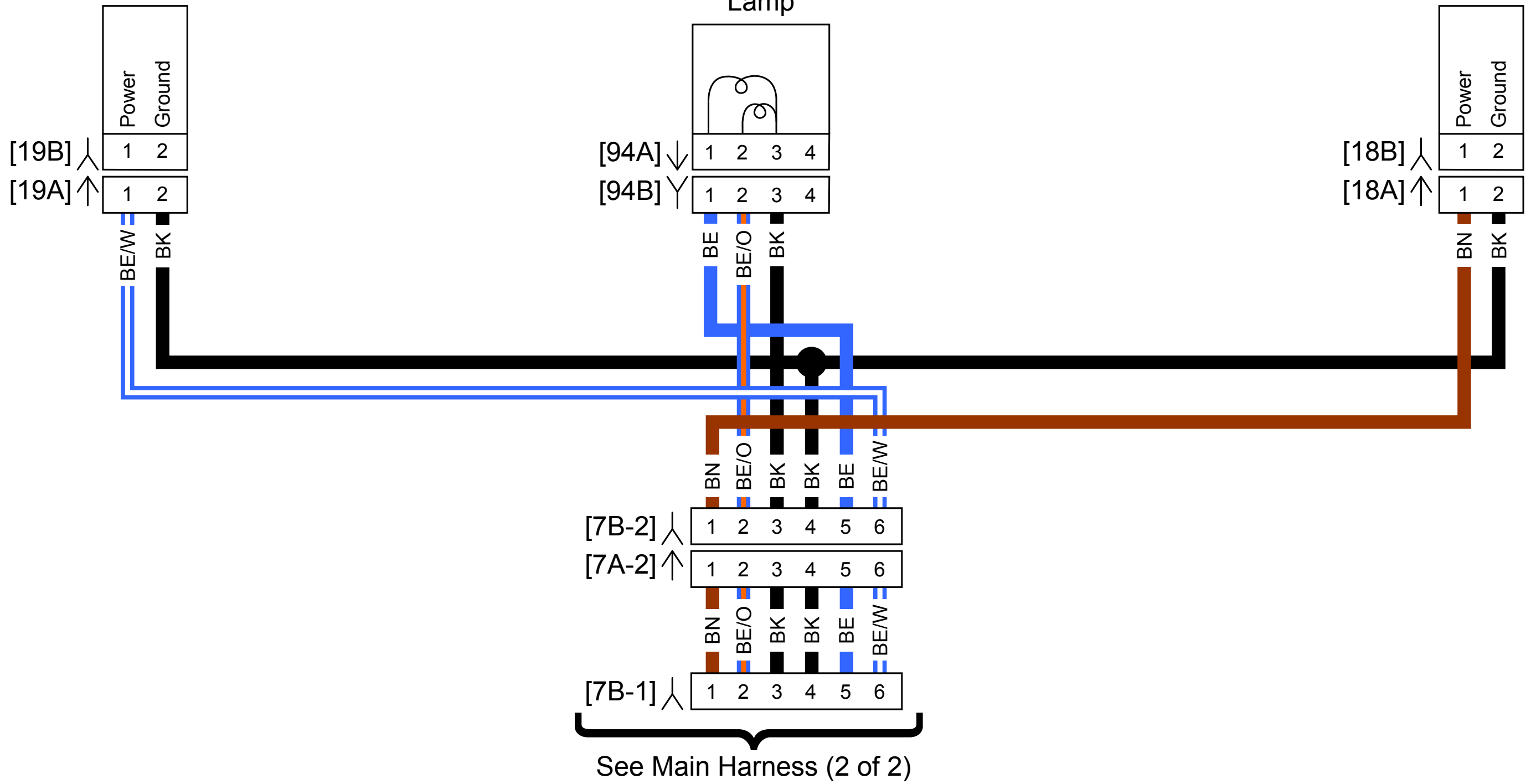


Engine Harness 2 of 2: All Except RH975 Models

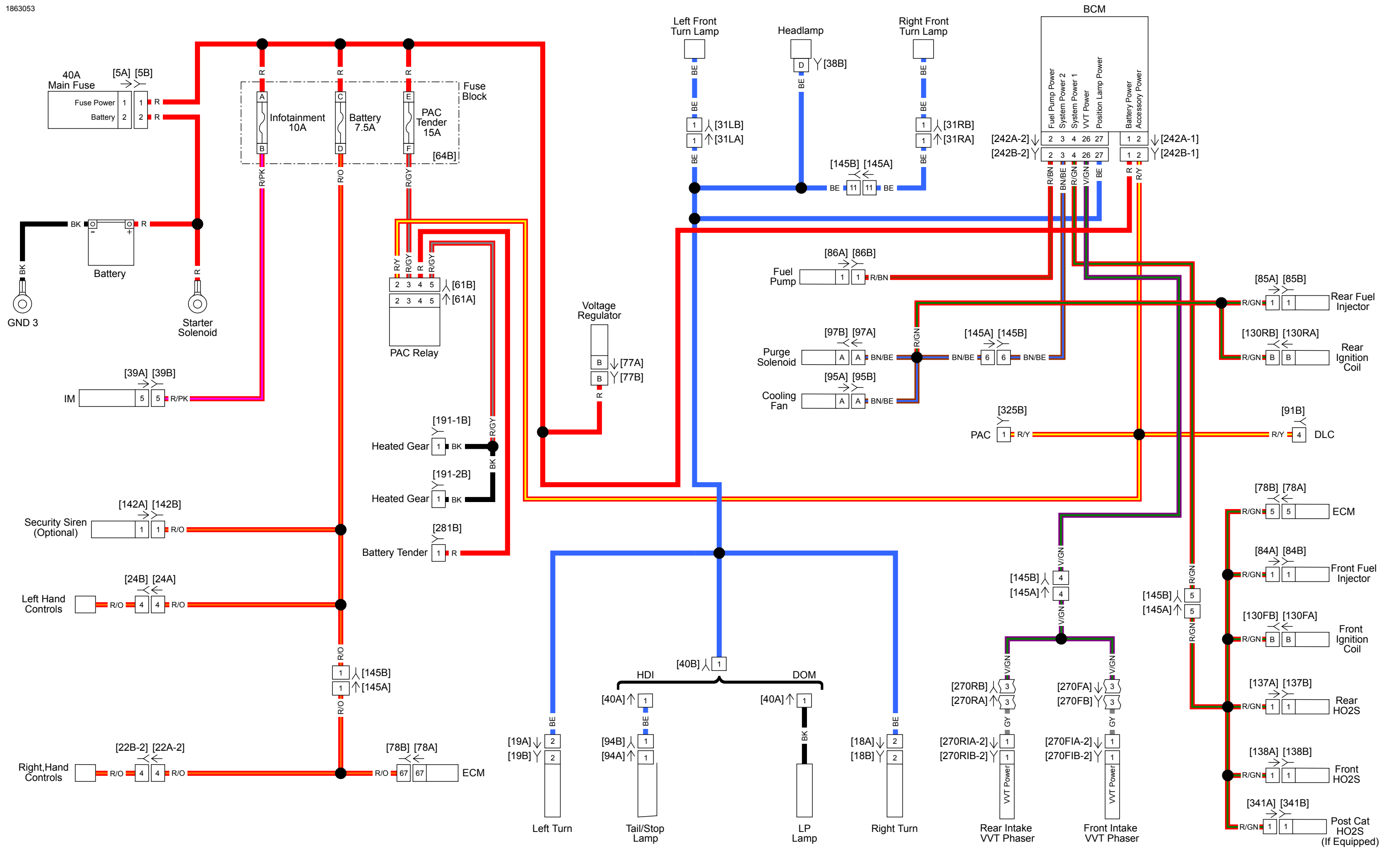
Left Rear Turn Lamp

Tail/Stop Lamp

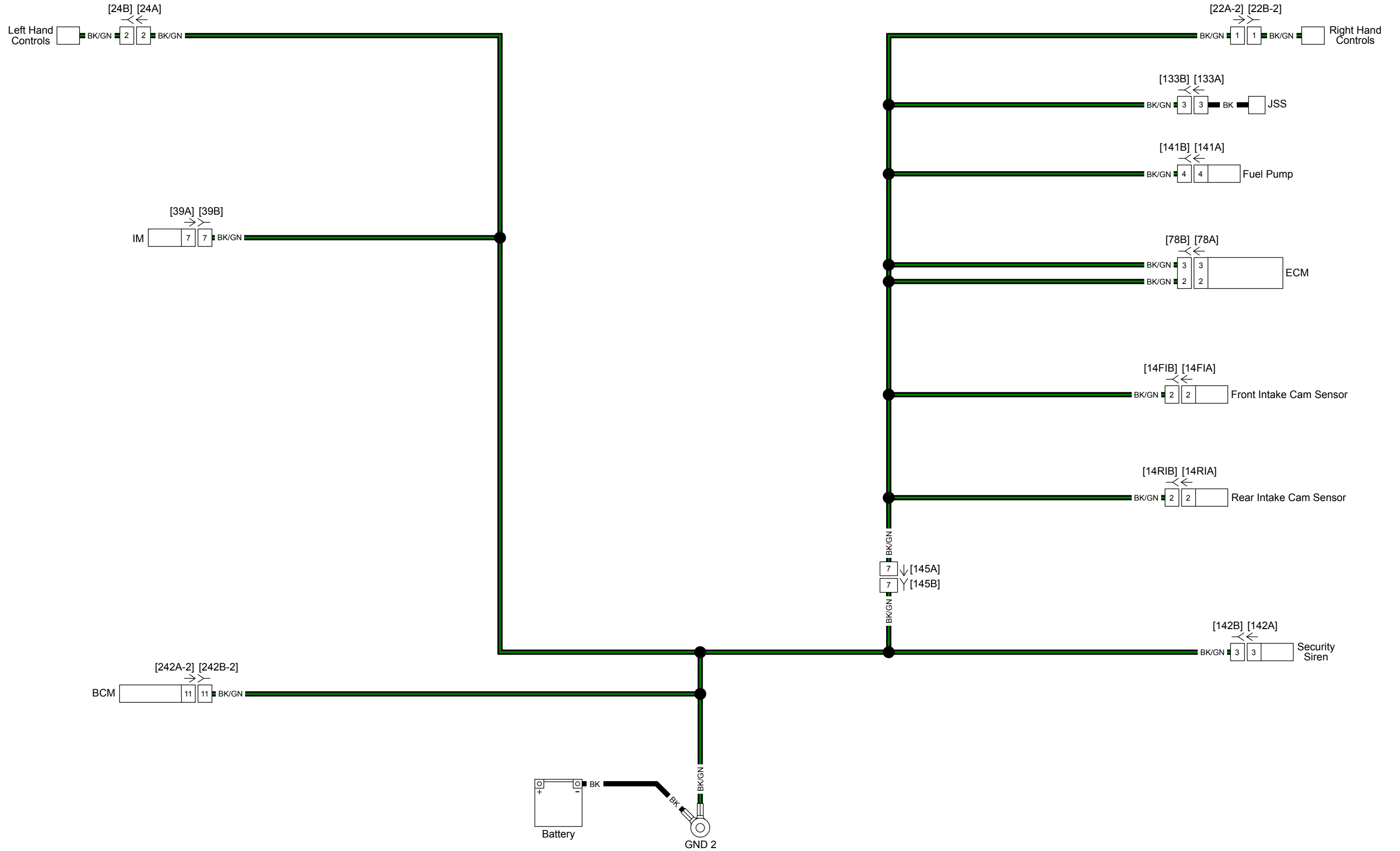
Right Rear Turn Lamp



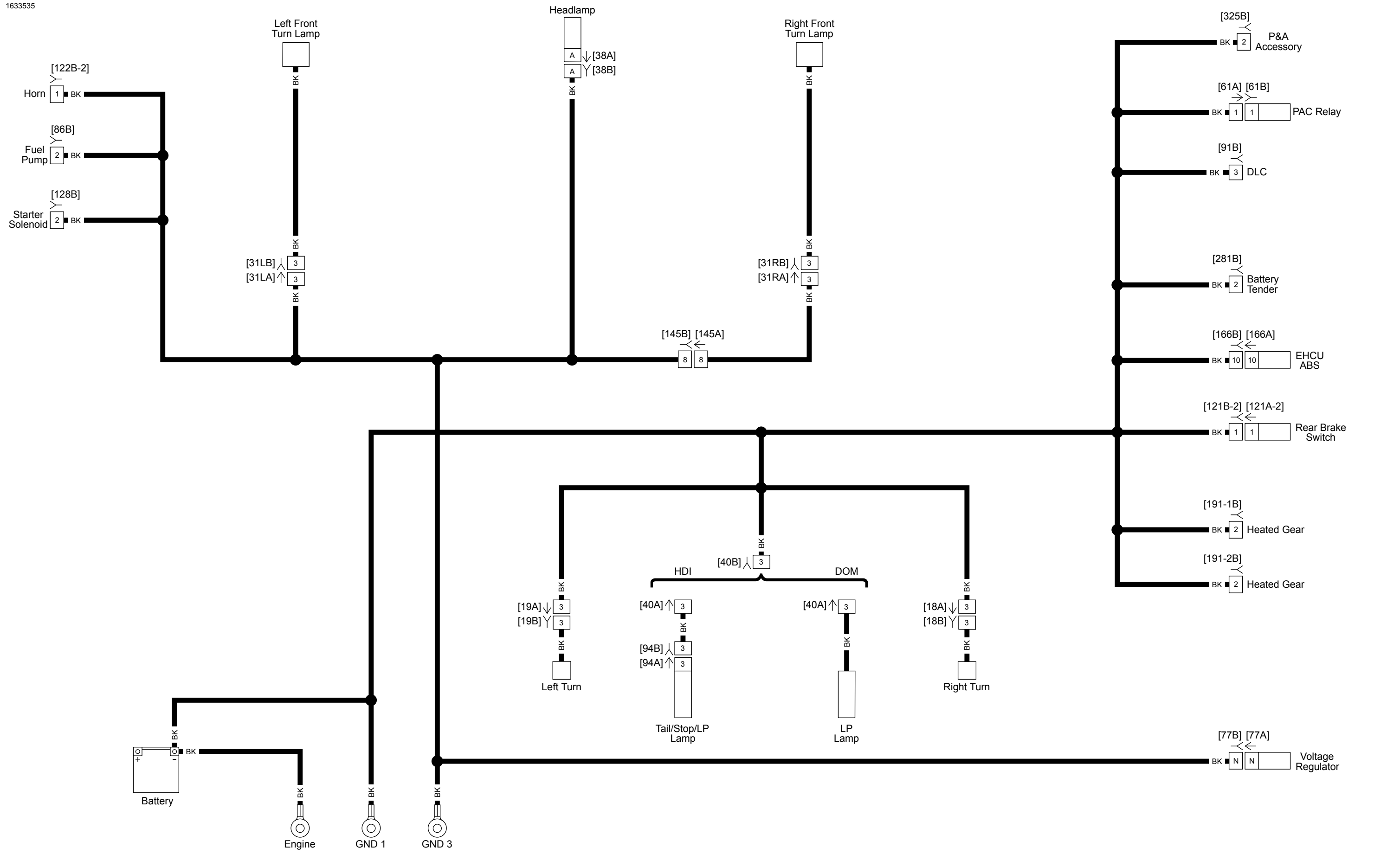
Rear Lighting: All Except RH975 Models



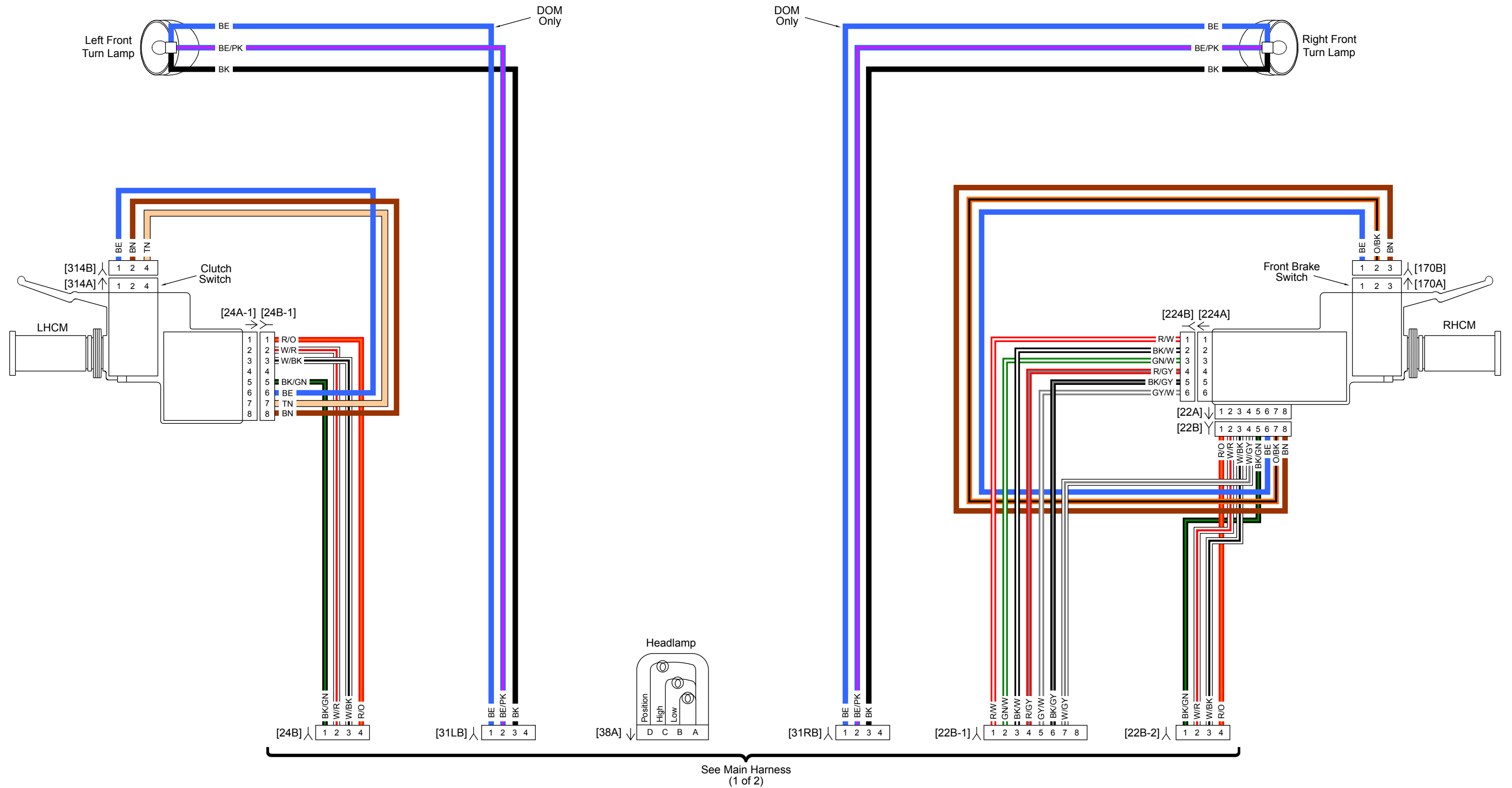
Power Distribution: RH975 Models



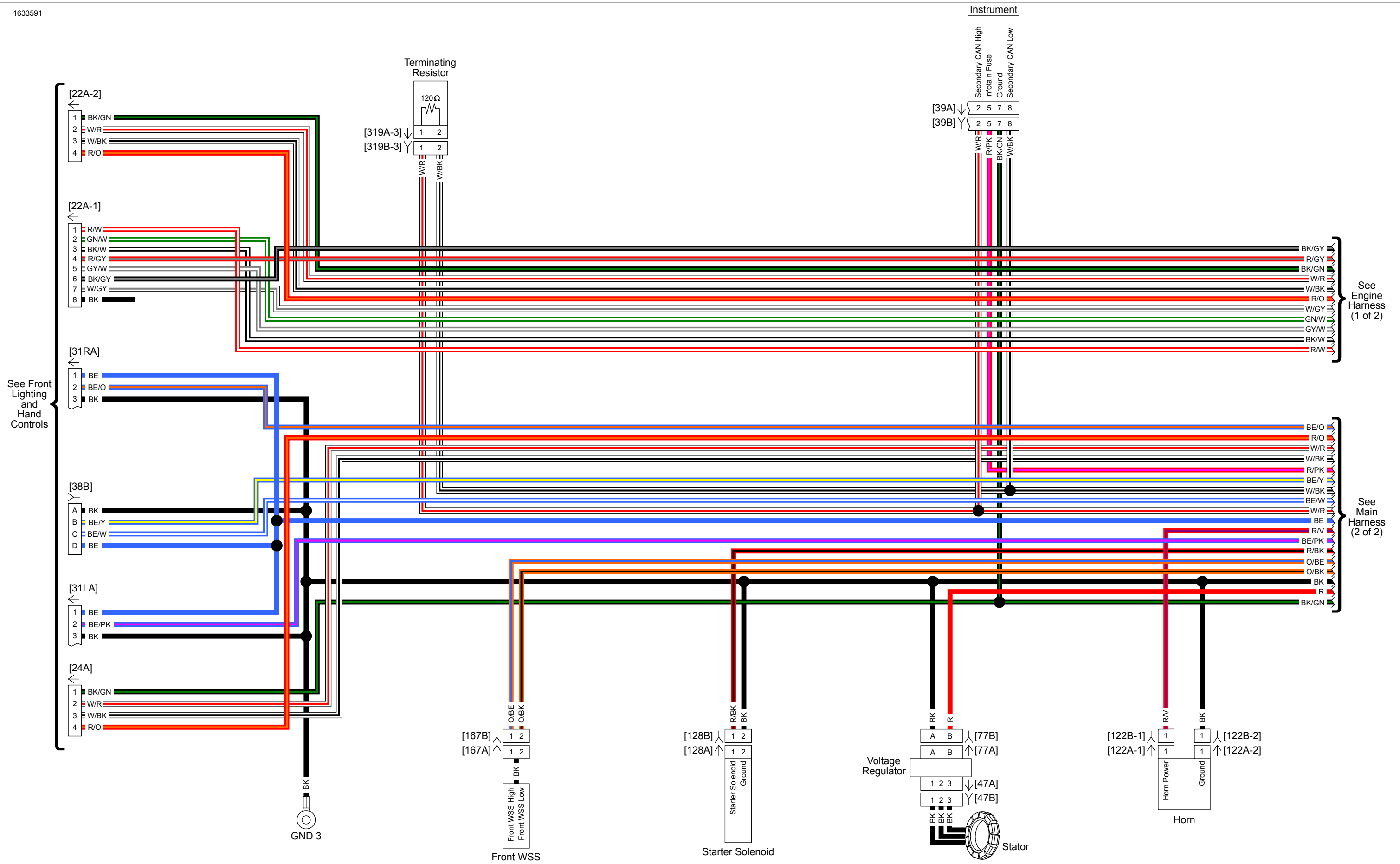
Sensor Grounds: RH975 Models



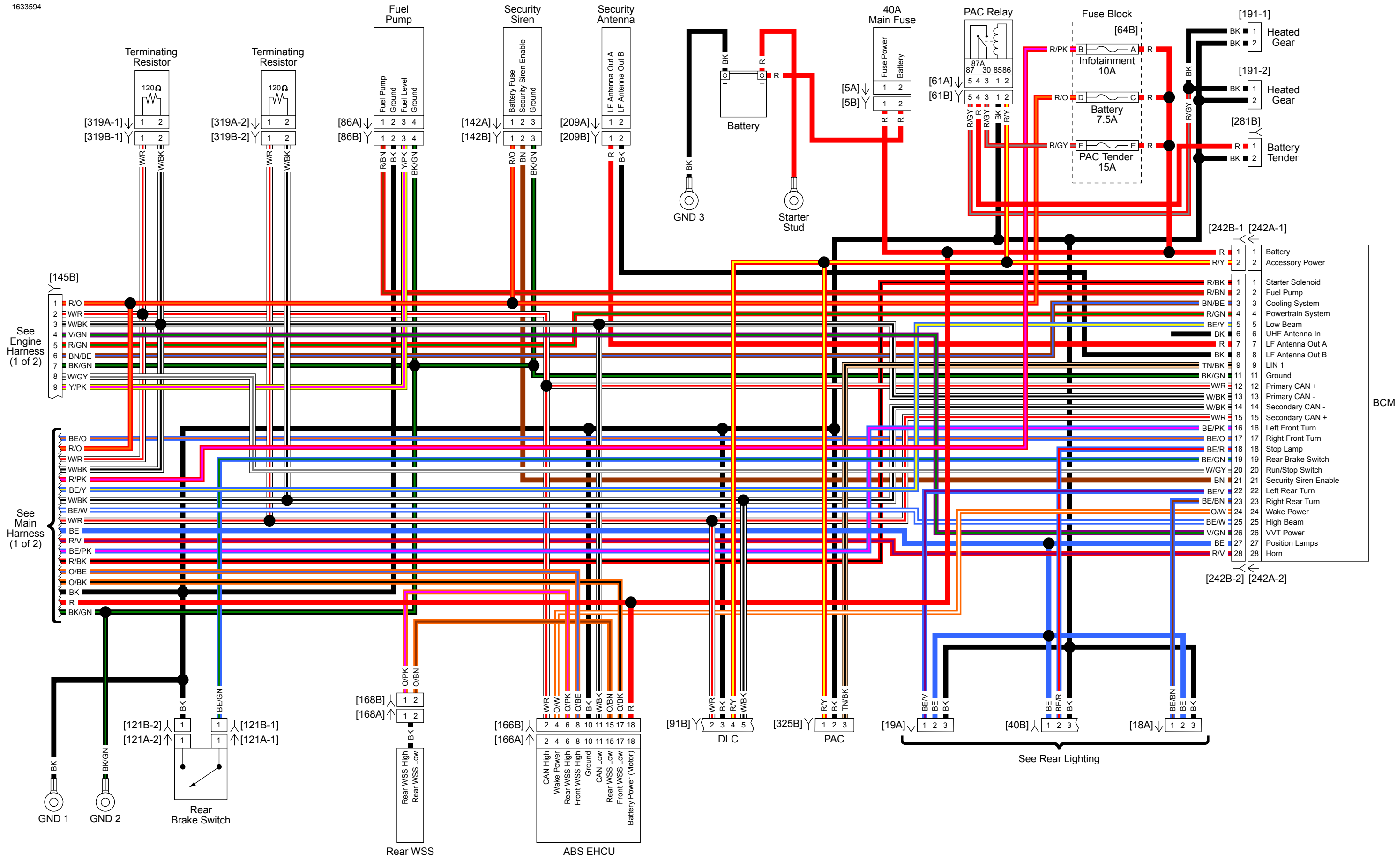
Ground Circuit: RH975 Models



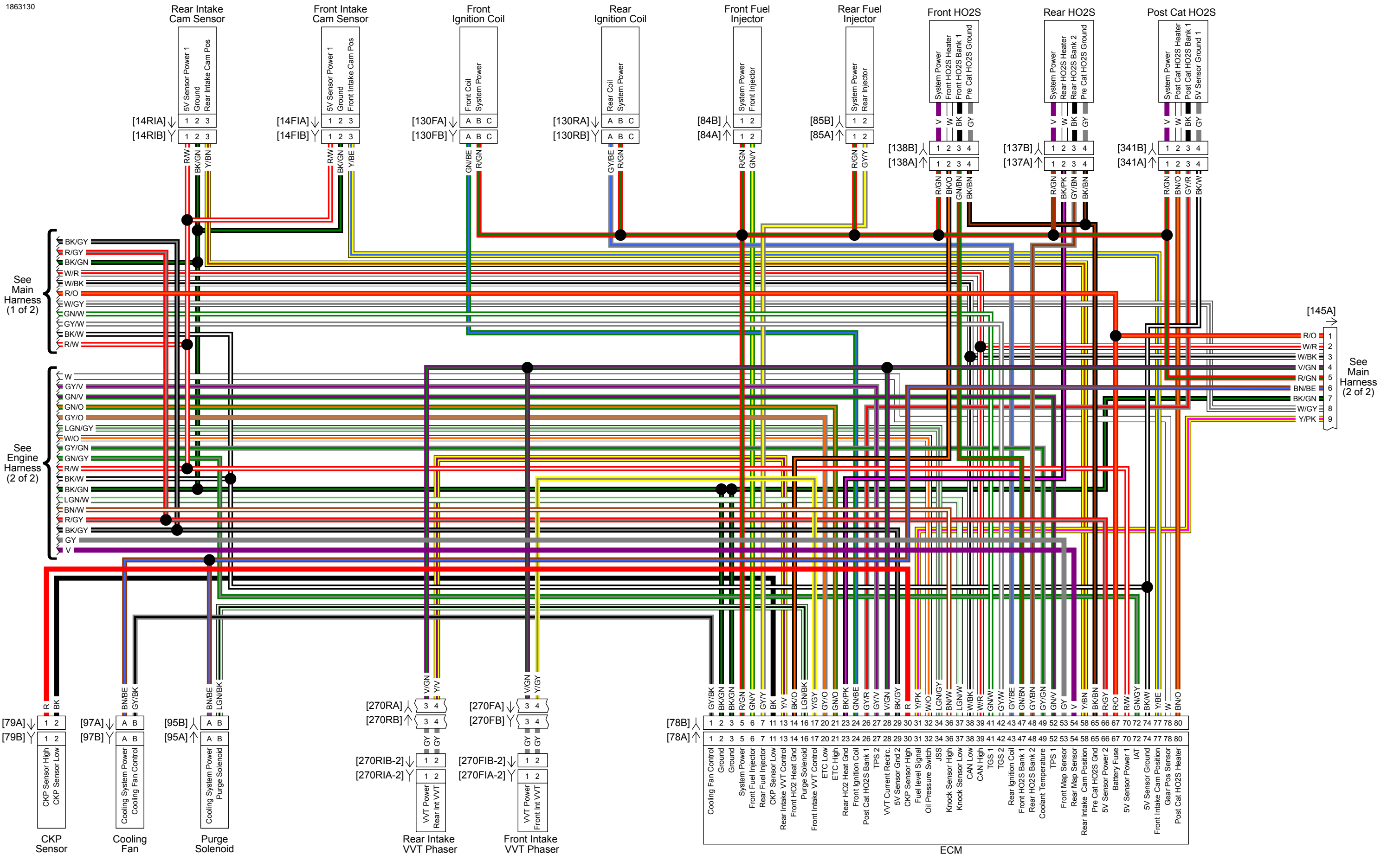
Front Lighting and Hand Controls: RH975 Models



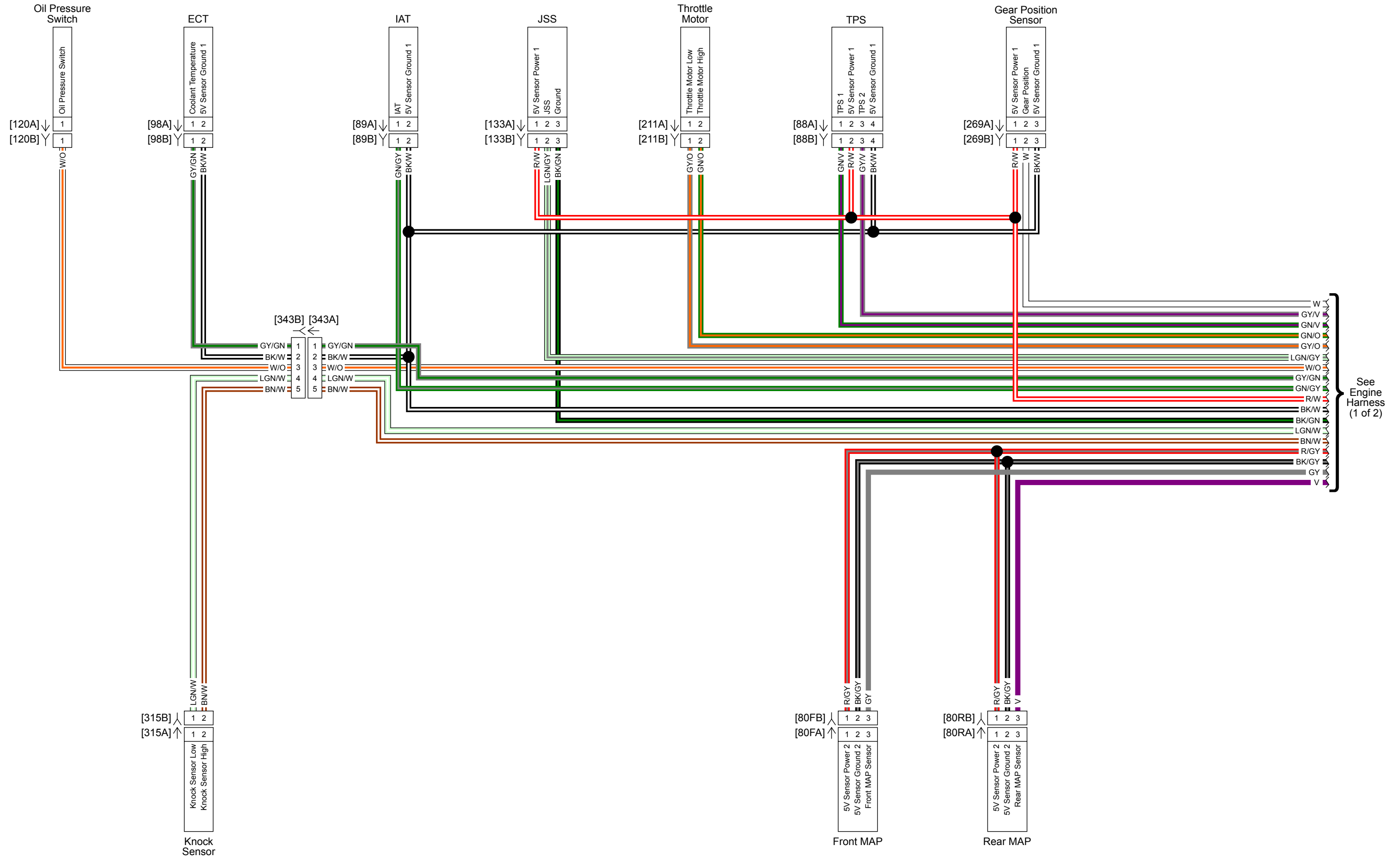
Main Harness 1 of 2: RH975 Models



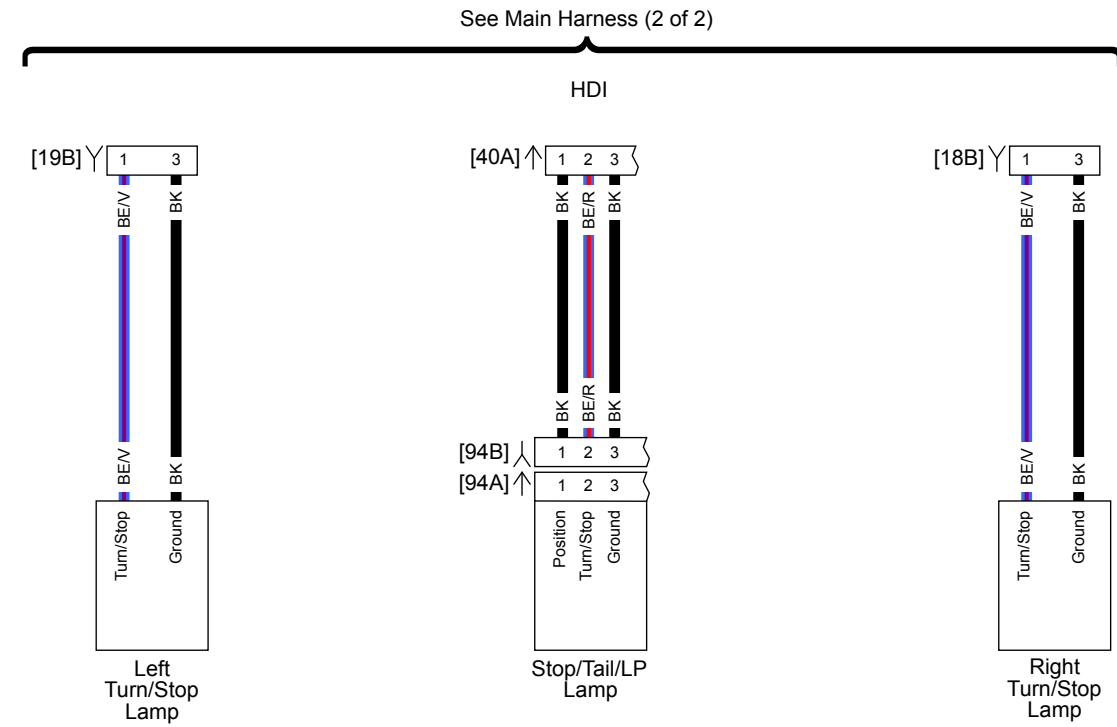
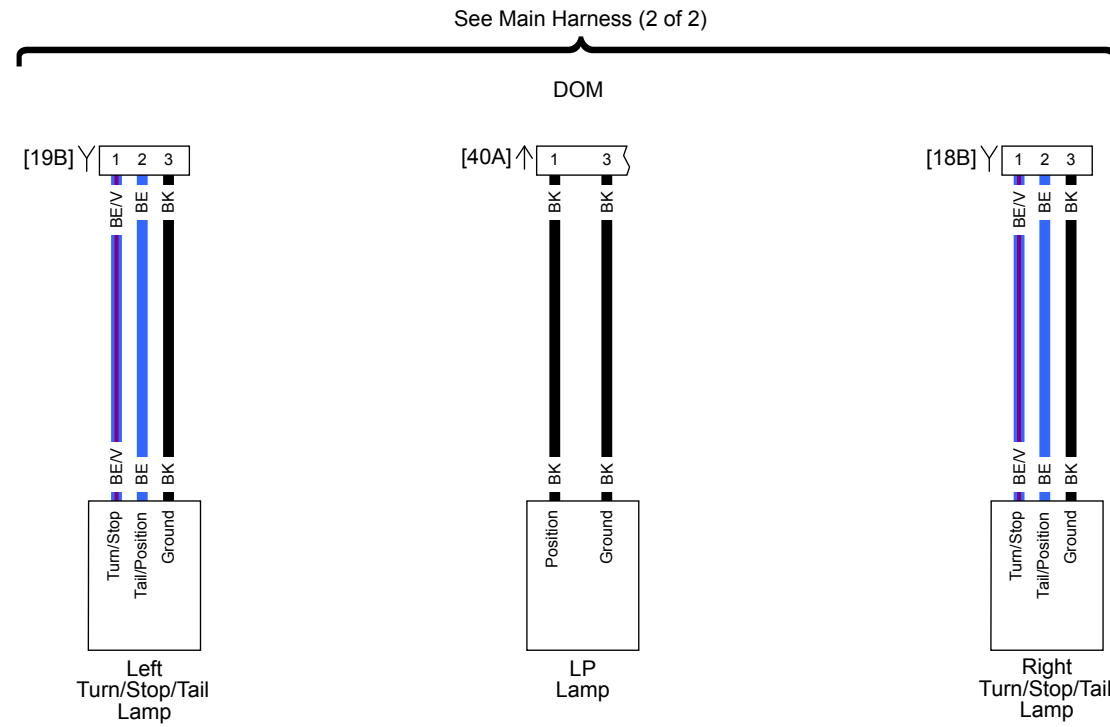
Main Harness 2 of 2: RH975 Models



Engine Harness 1 of 2: RH975 Models



Engine Harness 2 of 2: RH975 Models



Rear Lighting: RH975 Models

