



INSTRUCTIONS

- J03789

REV. 06-13-2005

Kit Numbers 68273-03A, 68450-04A, 69294-05A

AUXILIARY LAMP BULB KIT (DOMESTIC)

General

These halogen auxiliary bulb kits fit all model motorcycles with auxiliary lamps. They are designed as a direct replacement for the original sealed beam bulbs in Harley-Davidson original equipment and accessory passing lamps.

<u>Kit Number</u>	<u>Description</u>
68273-03A	Pair of smoked auxiliary lamp bulbs
68450-04A	Pair of clear auxiliary lamp bulbs without lens optics
69294-05A	Pair of clear auxiliary lamp bulbs with lens optics

NOTES

See the Service Parts illustration for a list of items contained in this kit.

A Service Manual for your model motorcycle is available from your local Harley-Davidson dealer.

Installation

⚠ WARNING

To prevent accidental vehicle start-up, which could cause death or serious injury, disconnect battery cables (negative cable first) before proceeding. (00307a)

⚠ WARNING

Disconnect negative battery cable first. If positive cable should contact ground with negative cable connected, the resulting sparks can cause a battery explosion, which could result in death or serious injury. (00049a)

1. Remove the seat and disconnect battery negative cable first. Refer to proper Service Manual to remove seat.
2. Remove screw that holds passing lamp bezel ring in place and remove bezel ring. Disconnect wires from back of bulb and remove bulb from housing.

NOTE

On 2006 and later Touring models and 2006 and later FLSTC models originally equipped with auxiliary lamps, go to step 3.

On 2005 and earlier Touring models and 2005 and earlier FLSTC models, or models equipped with an accessory auxiliary lamp kit, go to step 7.

3. Obtain wire provided in auxiliary lamp kit and cut into 4 equal length pieces.
4. Cut off the two position connector inside the lamp housing as close to the connector as possible.

5. Strip 1/4 in. insulation off one end of each of the wires cut. Using butt connectors included in kit, splice a wire to each lead inside lamp housing.
6. Install heat shrink tubing over each wire splice.
7. See Service Parts illustration. Slide terminal housing over positive lead. Strip 1/4 in. of insulation off end of wire.
8. Using the correct die on crimp tool, crimp the spade terminal core and then the insulation to make a proper terminal attachment. Do this for the positive and negative terminals. Snap terminal housing in place over spade terminals.

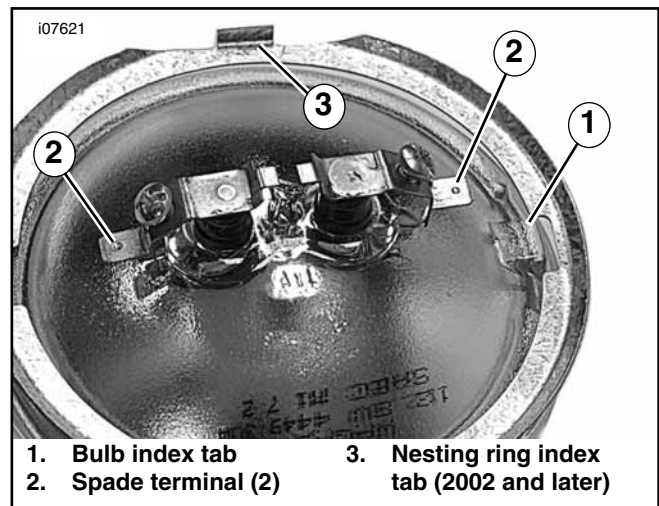


Figure 1. Auxiliary Lamp Bulb Terminals

9. See Figure 1. Install the socket terminal on the black wire onto the spade terminal (2) next to the bulb index tab (1) on the new bulb. Install the socket terminal on the gray/black wire onto the remaining spade terminal.
10. Place bulb and wires back into housing, place ring over bulb and housing, and tighten screw to hold bulb in place.
11. Repeat steps 2 through 10 for the other side.

⚠ WARNING

Connect positive battery cable first. If positive battery cable should contact ground with negative cable connected, the resulting sparks can cause a battery explosion, which could result in death or serious injury. (00068a)

12. Connect battery cables, positive cable first.

13. Install seat.

14. Check Auxiliary lamps for proper operation.

WARNING

After installing seat, pull upward on front of seat to be sure it is locked in position. If seat is loose, it could shift position during vehicle operation and startle the rider causing loss of control and personal injury. (00070a)

WARNING

Be sure that all lights and switches operate properly before operating motorcycle. Low visibility of rider can result in death or serious injury. (00316a)



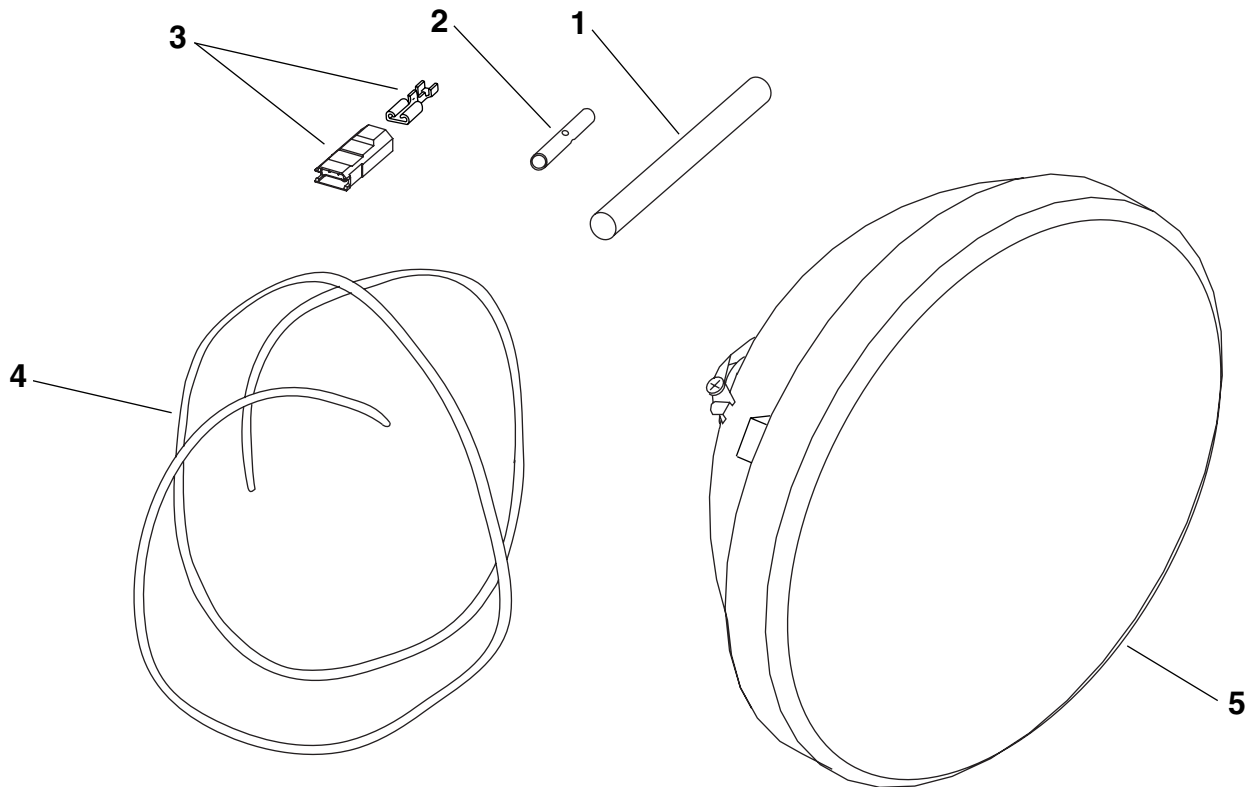
Service Parts

Part No. 68273-03A,
68450-04A, 69294-05A

Date 06/05

Auxiliary Lamp Bulb Kit (Domestic)

i07628



Item	Description (Quantity)	Part No.
1	Conduit, heat shrink (4)	67113-83
2	Connector, solderless (4)	70581-73
3	Terminal, with insulator (4)	72290-94
4	Extension, wire	Not sold

Item	Description (Quantity)	Part No.
5	Lamp bulb, auxiliary, clear, without lens optics (2)	68351-05
	Lamp bulb, auxiliary, smoked (2)	68274-03
	Lamp bulb, auxiliary clear, with lens optics (2)	68674-69A