



INSTRUCTIONS

-J00687

REV. 9-30-96

Kit Number 91216-97

SADDLEBAG GUARD RAIL KIT

General

This kit is designed for installation on 1997 and later FLHT and FLHR model motorcycles.

See *Service Parts* for kit contents.

Installation

NOTE

A *Service Manual* for your vehicle is available from your Harley-Davidson Dealer.

1. Remove saddlebags from motorcycle according to Service Manual instructions.
2. Remove left and right side covers (located just ahead of saddlebags) by removing Phillips head screw from bottom of side cover. Save hardware and side covers for later reassembly.
3. Remove upper and lower bolts securing left and right forward saddlebag guards to frame. Remove Phillips head screws securing saddlebag guards to muffler supports. Discard saddlebag guards, but save hardware.
4. See Figure 1. Install new left and right forward saddlebag guards (1) with upper bolts (2), lower bolts (3) and Phillips head screw (4) saved from Step 3.
5. Insert one rear guard rail mount (6) onto rounded, tubular end of one of the saddlebag side guard rails (5).
6. Insert a hex cap screw (8) through one of the front guard rail mounts (7) as shown.
7. Line up saddlebag side guard rail (5) with attached rear guard rail mount (6) from Step 5 with lower hole in forward saddlebag guard rail (1). Insert hex cap screw (8) from front guard rail mount (7) through hole in forward guard rail (1) and into side guard rail assembly. Tighten finger tight.
8. See Figure 2. Install a side guard rail (2) in lower position on rear fender support (3) with pan head screw (1). Tighten finger tight.
9. Repeat Steps 5 through 8 in upper position.
10. Repeat Steps 5 through 9 for opposite side of vehicle.

NOTE

Each of the four guard rail clamps vary slightly. Two fit together for the right side of the motorcycle and two fit together for the left side. The inner right and left clamps have two holes drilled through them.

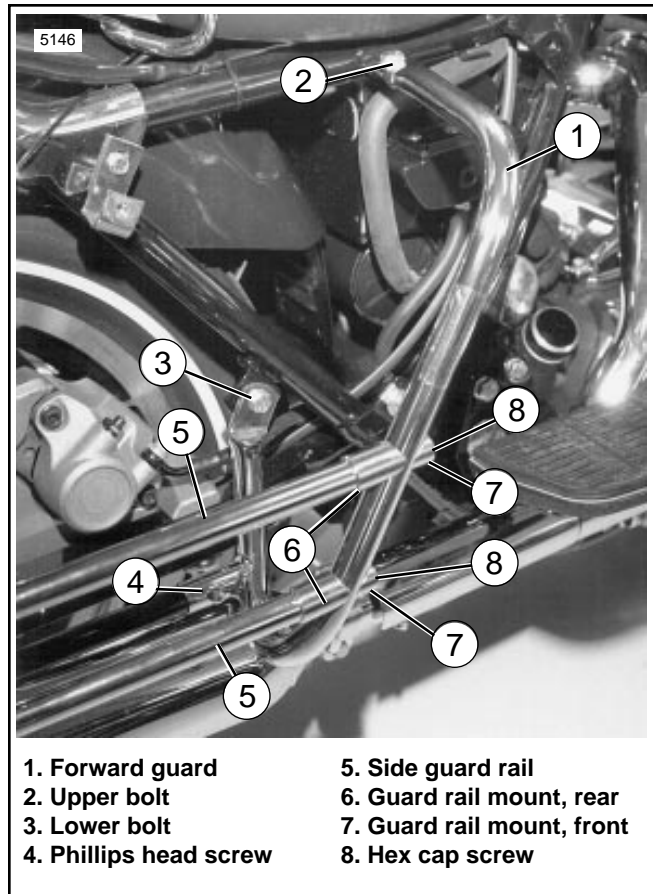


Figure 1. Forward Section of Saddlebag Guard Kit

11. See Figure 2. Locate four guard rail clamps (4). Match up two left side and two right side guard rail clamps. Install one piece of cushion tape to the lower inner surface of right and left inner clamps. Peel off paper from outer surface of tape. *Do not apply tape to the outside clamps.*

NOTE

Be sure that you correctly position the inner clamps on the side guard rails, as directed in Step 12, before tape on inner clamp contacts side guard rails. Tape is very sticky and will be difficult or impossible to remove once it has made contact with side guard rail surface.

12. See Figure 2. Position clamps (4) in desired position on side guard rails (2). Install clamps (4) on left and right side of vehicle side guard rails using four Torx screws (5). Torx screw heads should face inward toward motorcycle. Tighten each screw a little at a time until secure.
13. Tighten hex cap screws and pan head screws installed in Steps 7 and 8.

14. Reinstall left and right side covers with original hardware.
15. Reinstall saddlebags with original hardware, according to Service Manual instructions.

⚠ WARNING

The guards in this kit may provide limited leg and cosmetic vehicle protection under unique circumstances (fall over while stopped, very low speed slide). They are not made nor intended to provide protection from bodily injury in a collision with another vehicle or any other object.

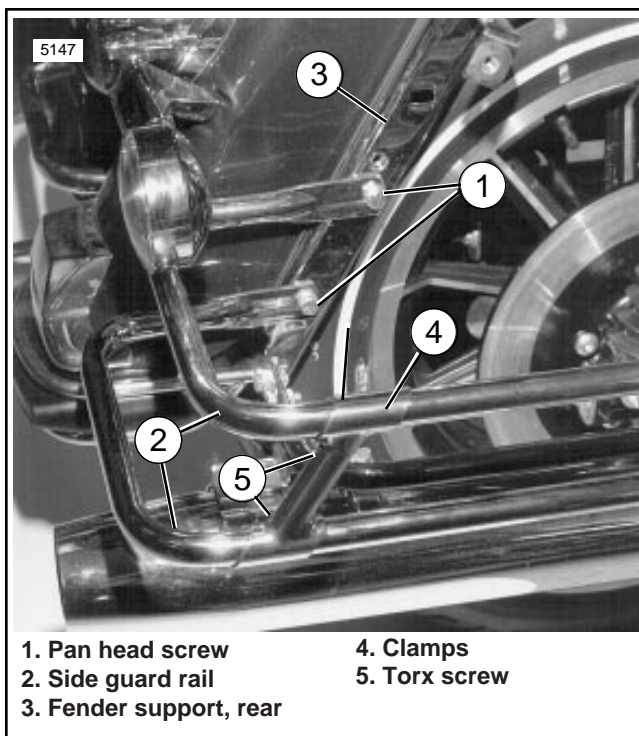


Figure 2. Rear Section of Saddlebag Guard Kit



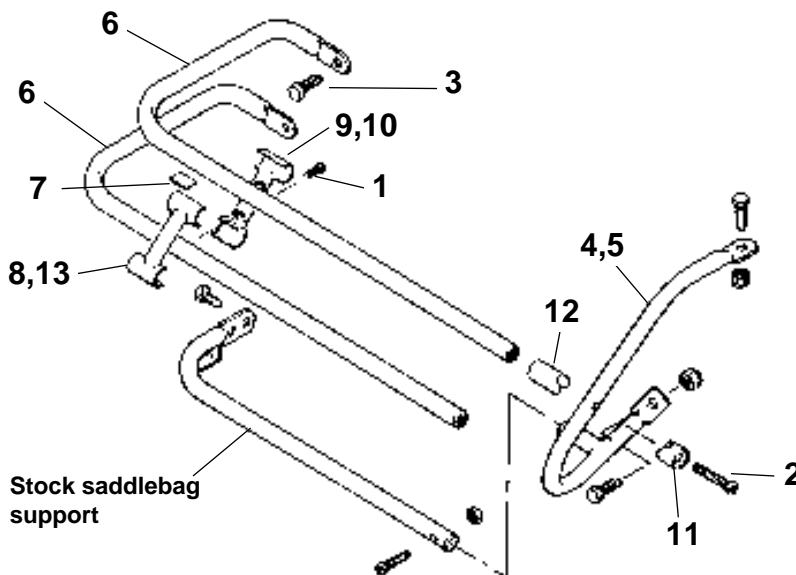
Service Parts

Part No. 91216-97

Date 9/96

Saddlebag Guard Rail Kit

sp91216



Item	Description	Part No.	Item	Description	Part No.
1	Torx screws (4)	1750	8	Outer clamp, LH	90934-93
2	Hex cap screws (4)	3584	9	Inner clamp, RH	90935-93
3	Pan head screws (4)	3676	10	Inner clamp, LH	90936-93
4	Forward guard assembly, RH	49202-97	11	Guard rail mounts, front (4)	90943-93
5	Forward guard assembly, LH	49203-97	12	Guard rail mounts, rear (4)	90945-93
6	Guard rails, side (4)	49193-93	13	Outer clamp, RH	90946-93
7	Tape (2)	90180-93			