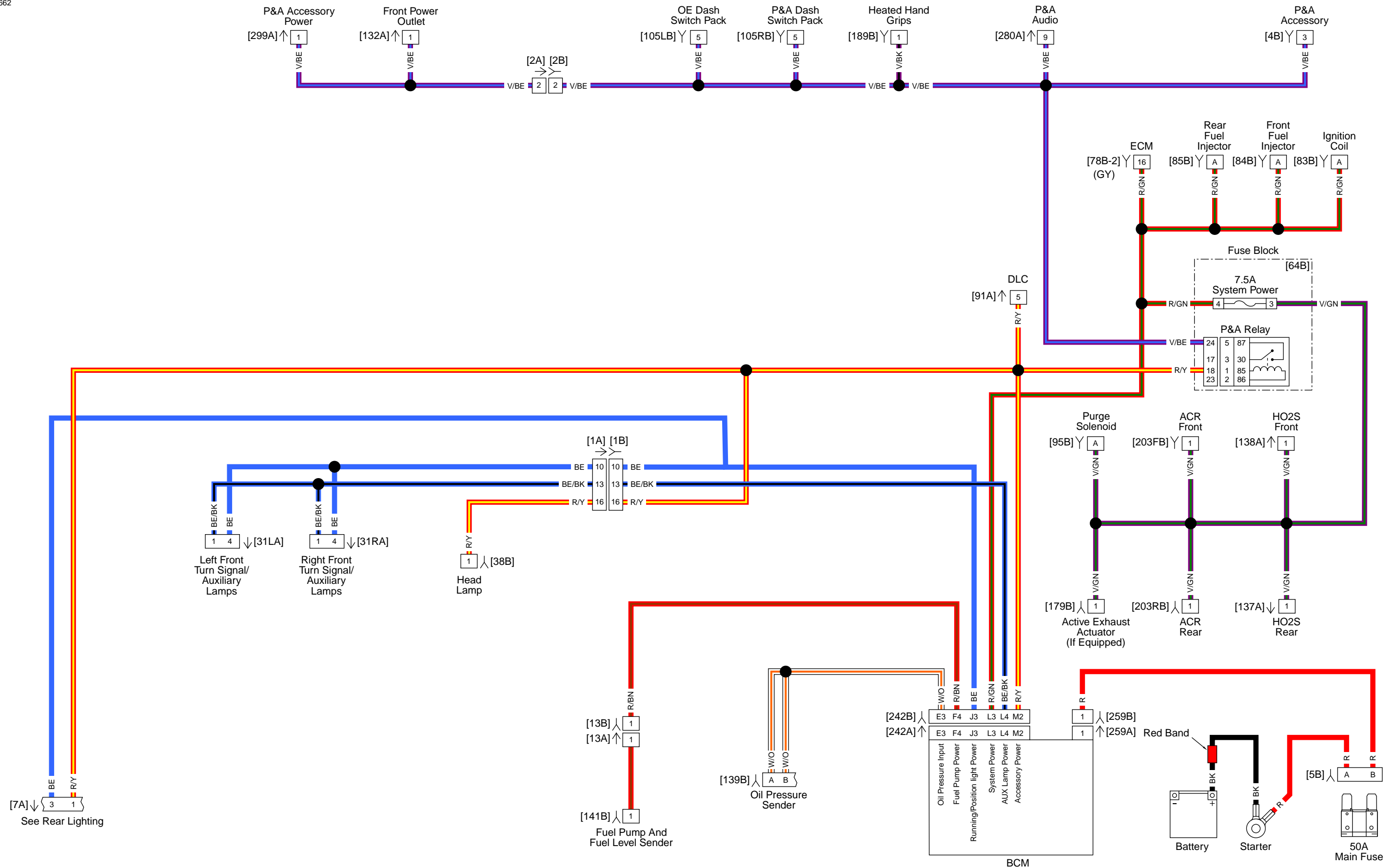
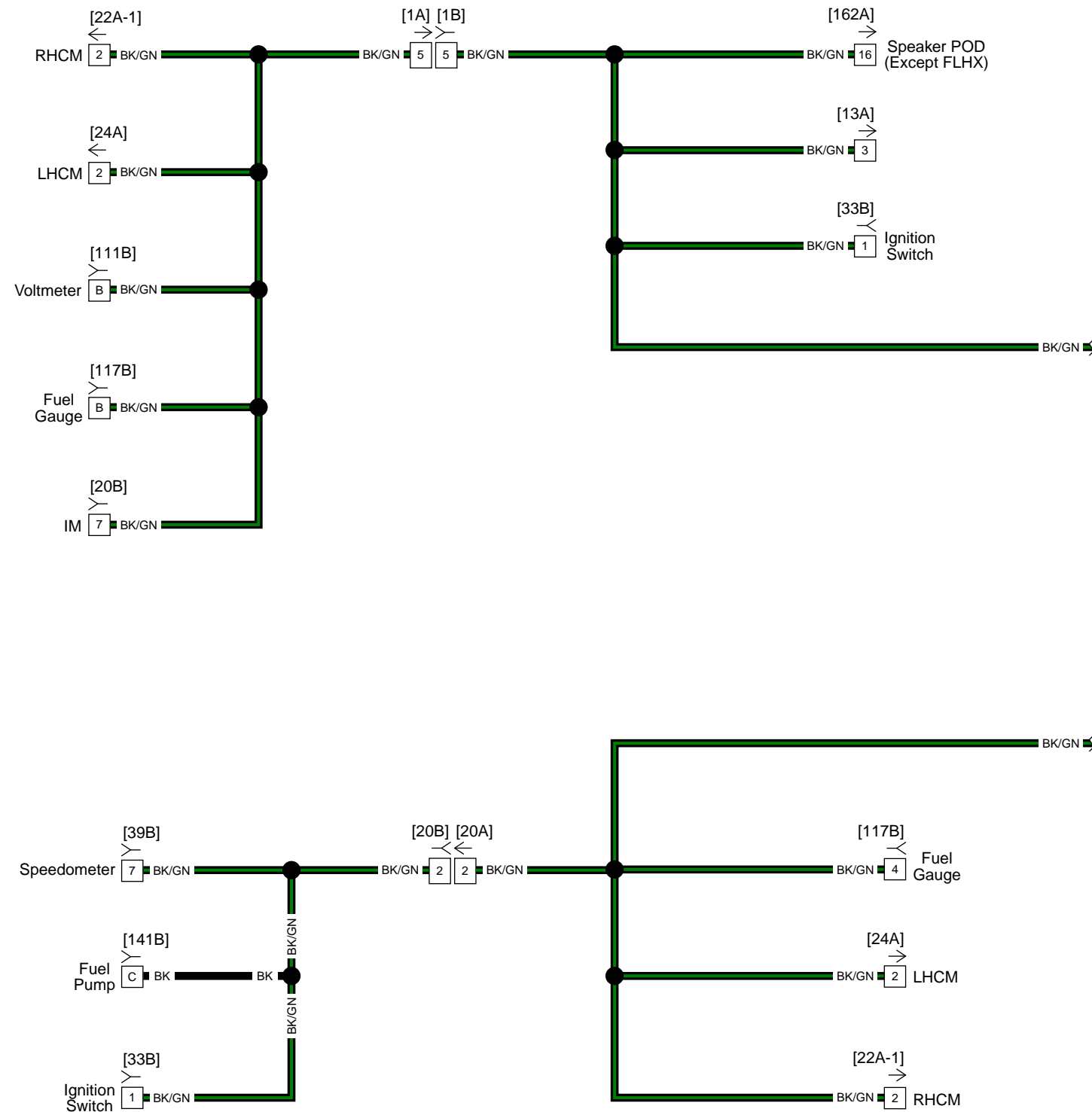


Ignition and ACC FLH: 2015 Touring

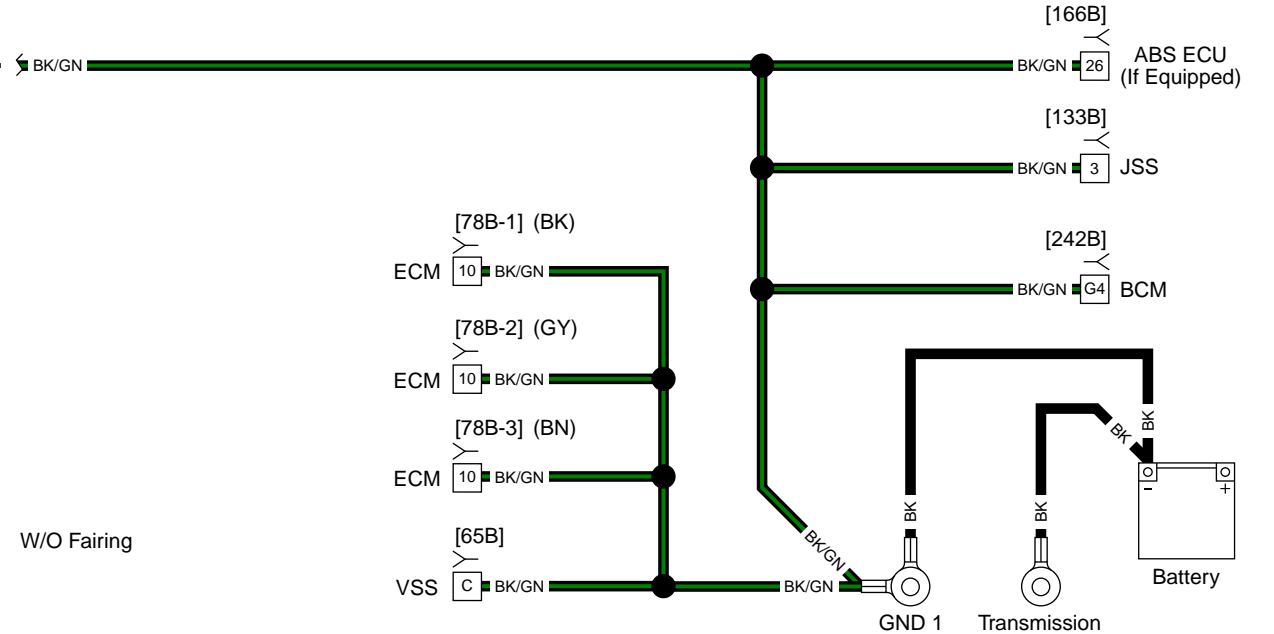


Ignition and ACC FLT: 2015 Touring

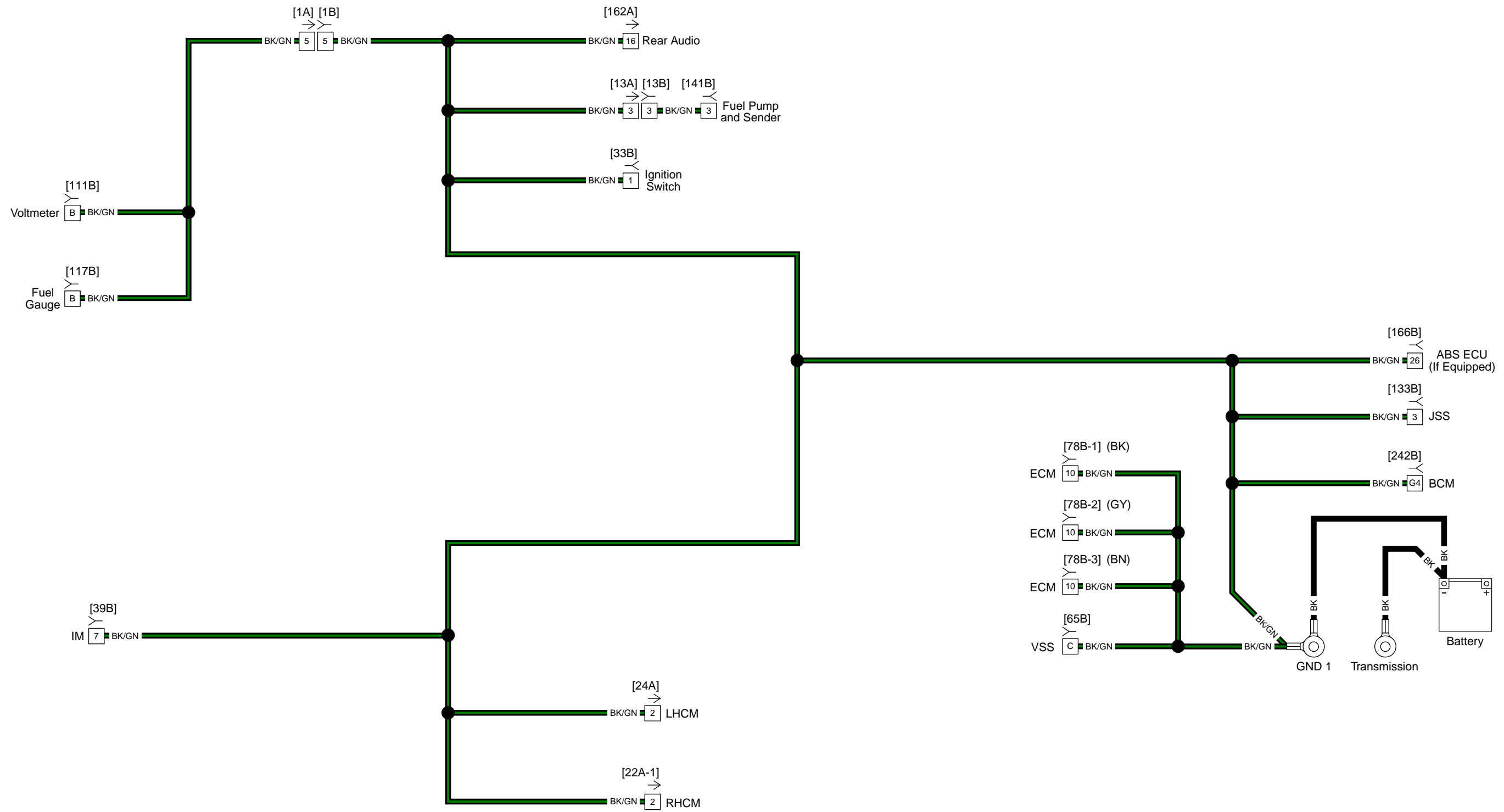


With Fairing

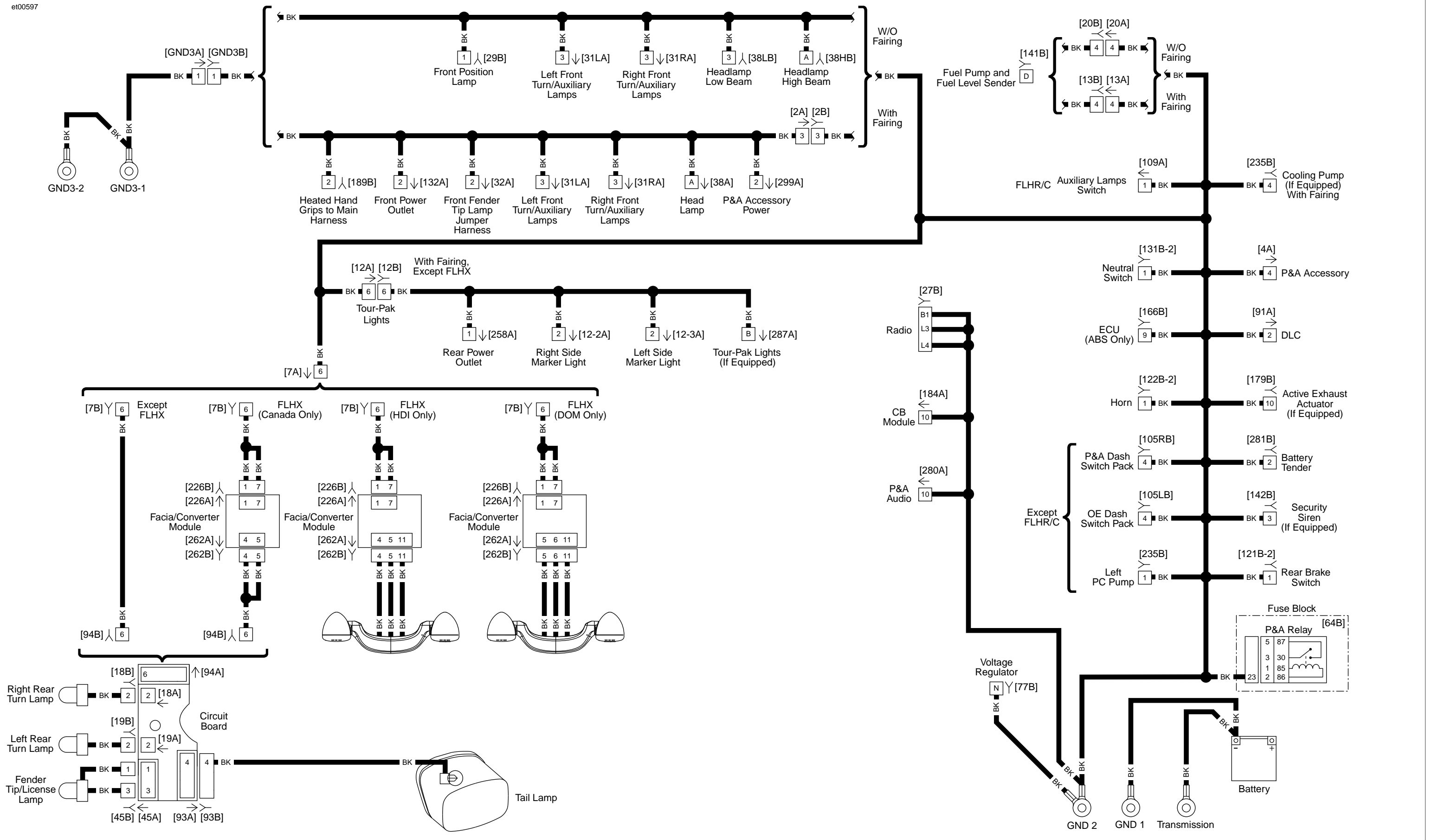
W/O Fairing



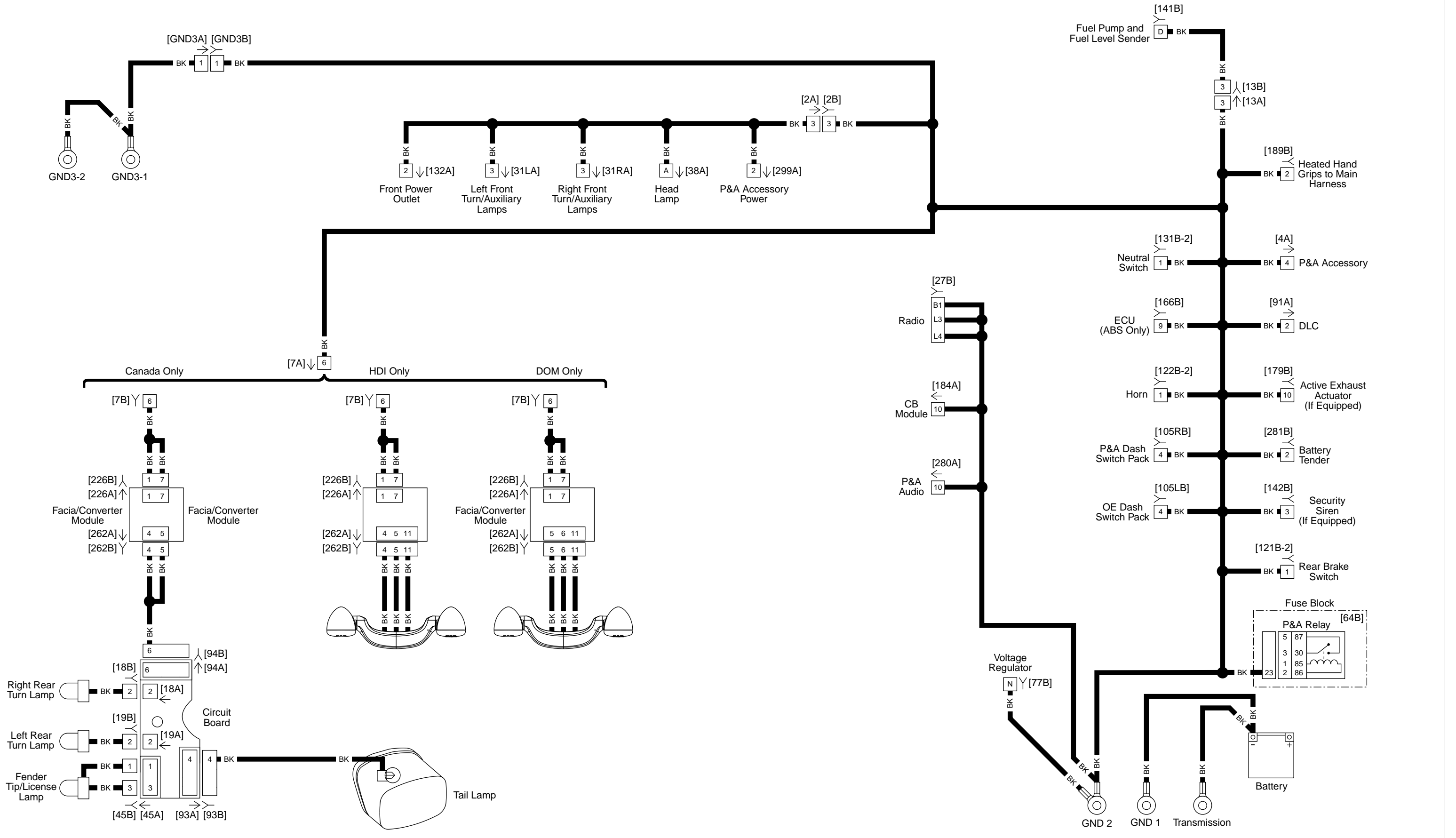
Sensor Grounds FLH: 2015 Touring



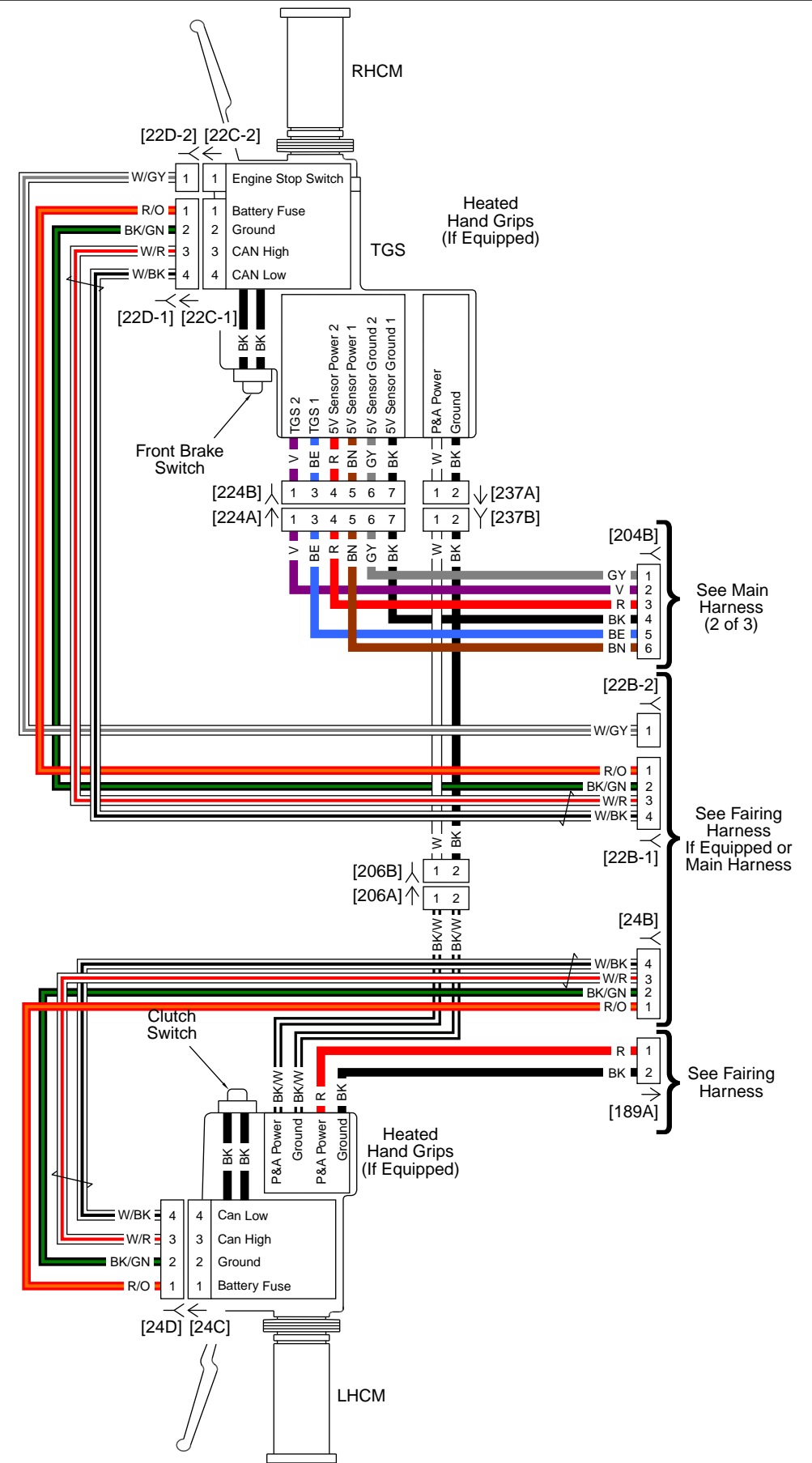
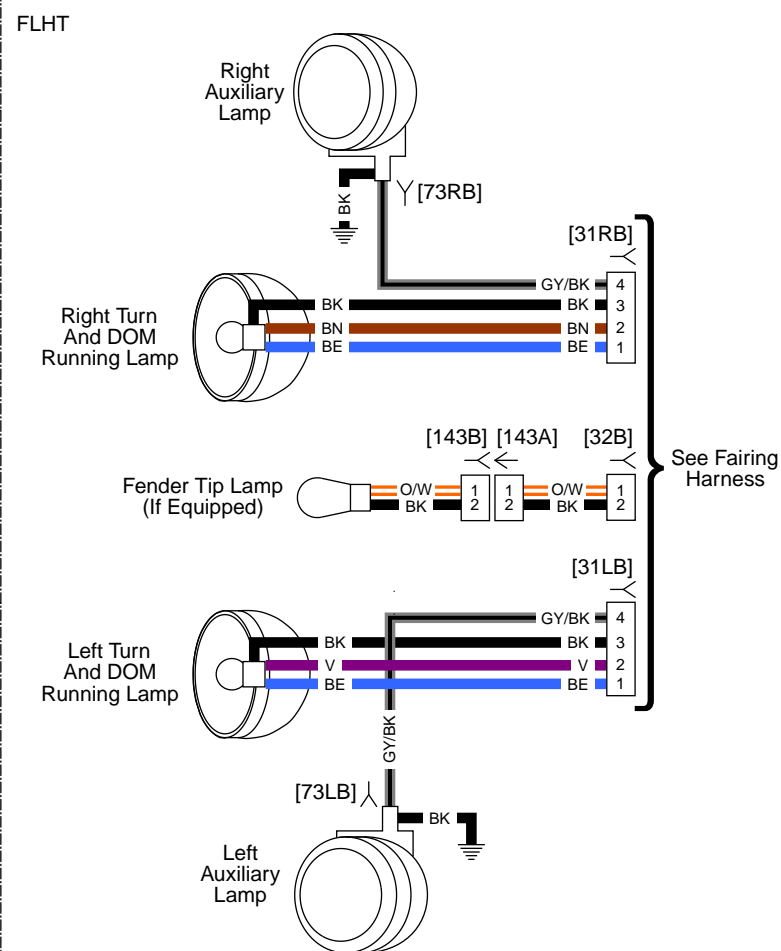
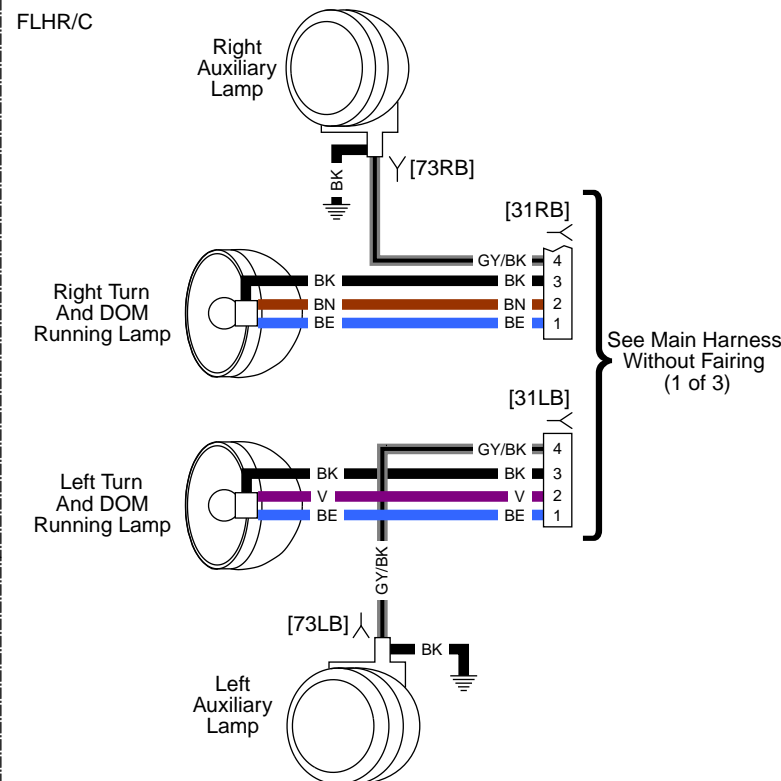
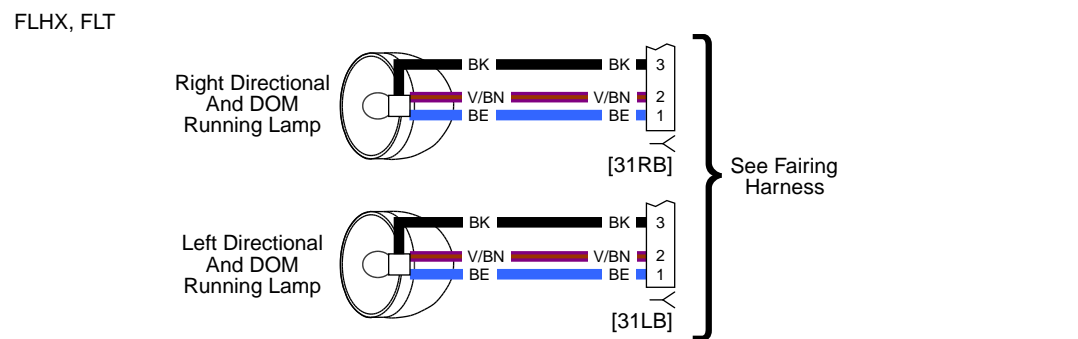
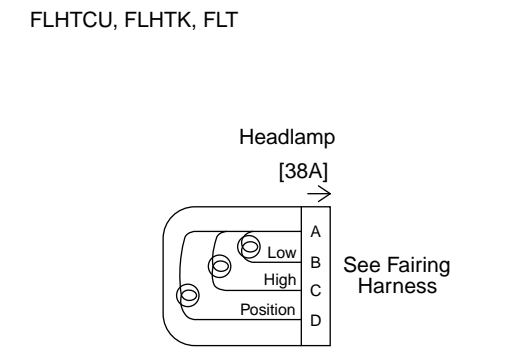
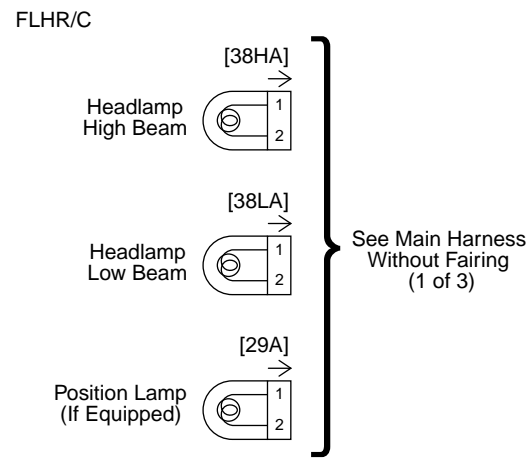
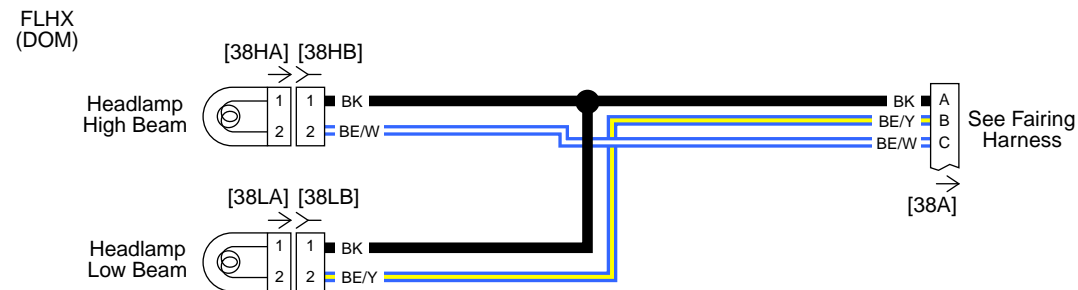
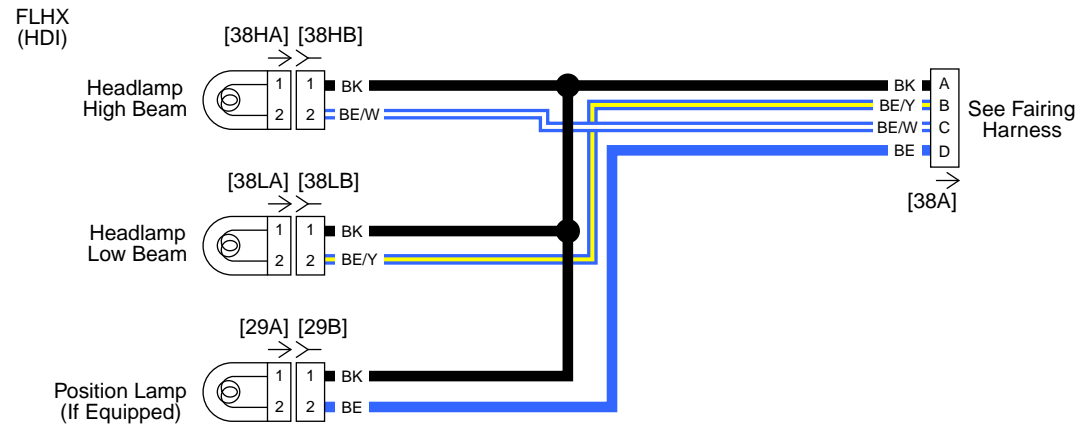
Sensor Grounds FLT: 2015 Touring



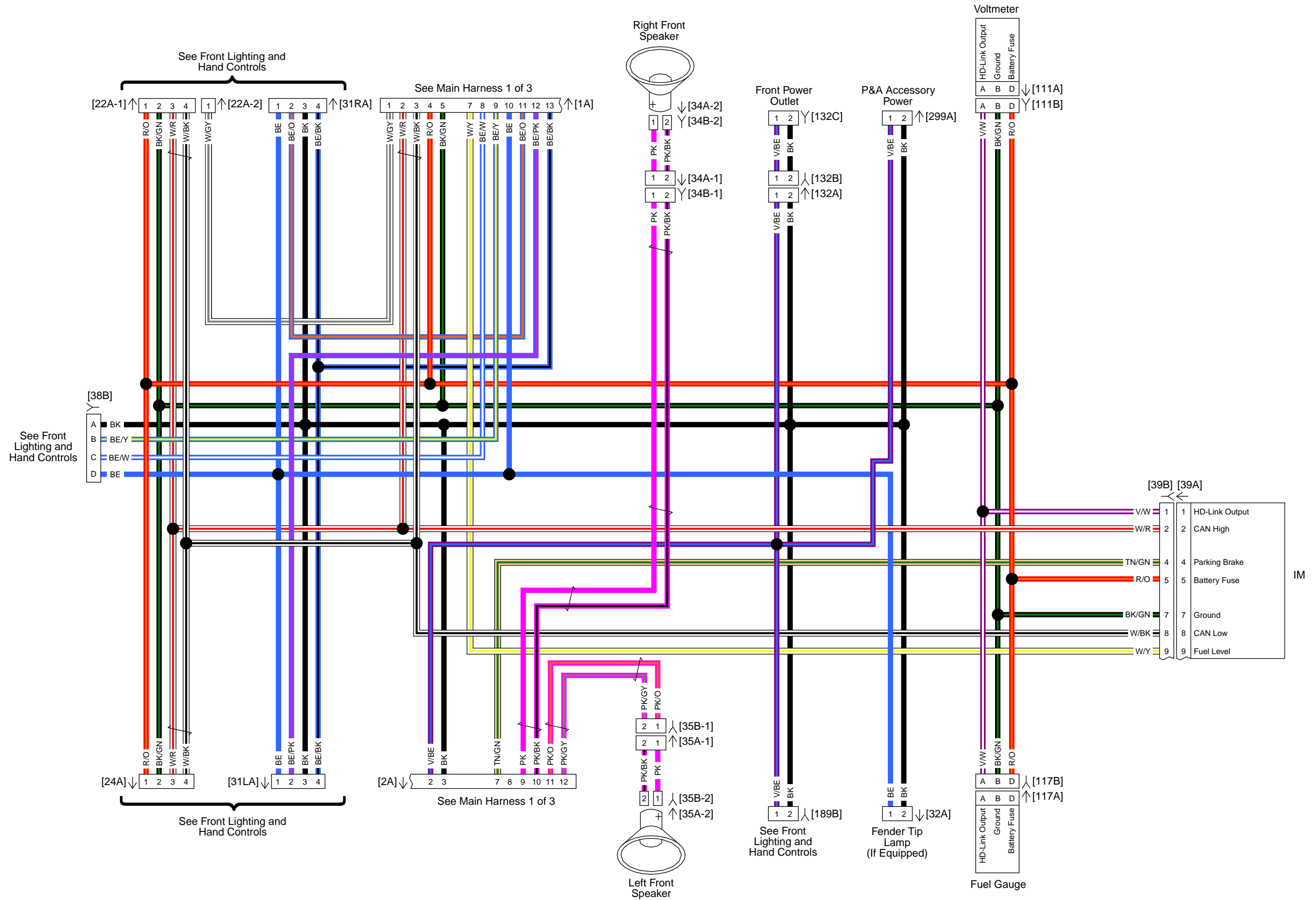
Ground Circuit FLH: 2015 Touring



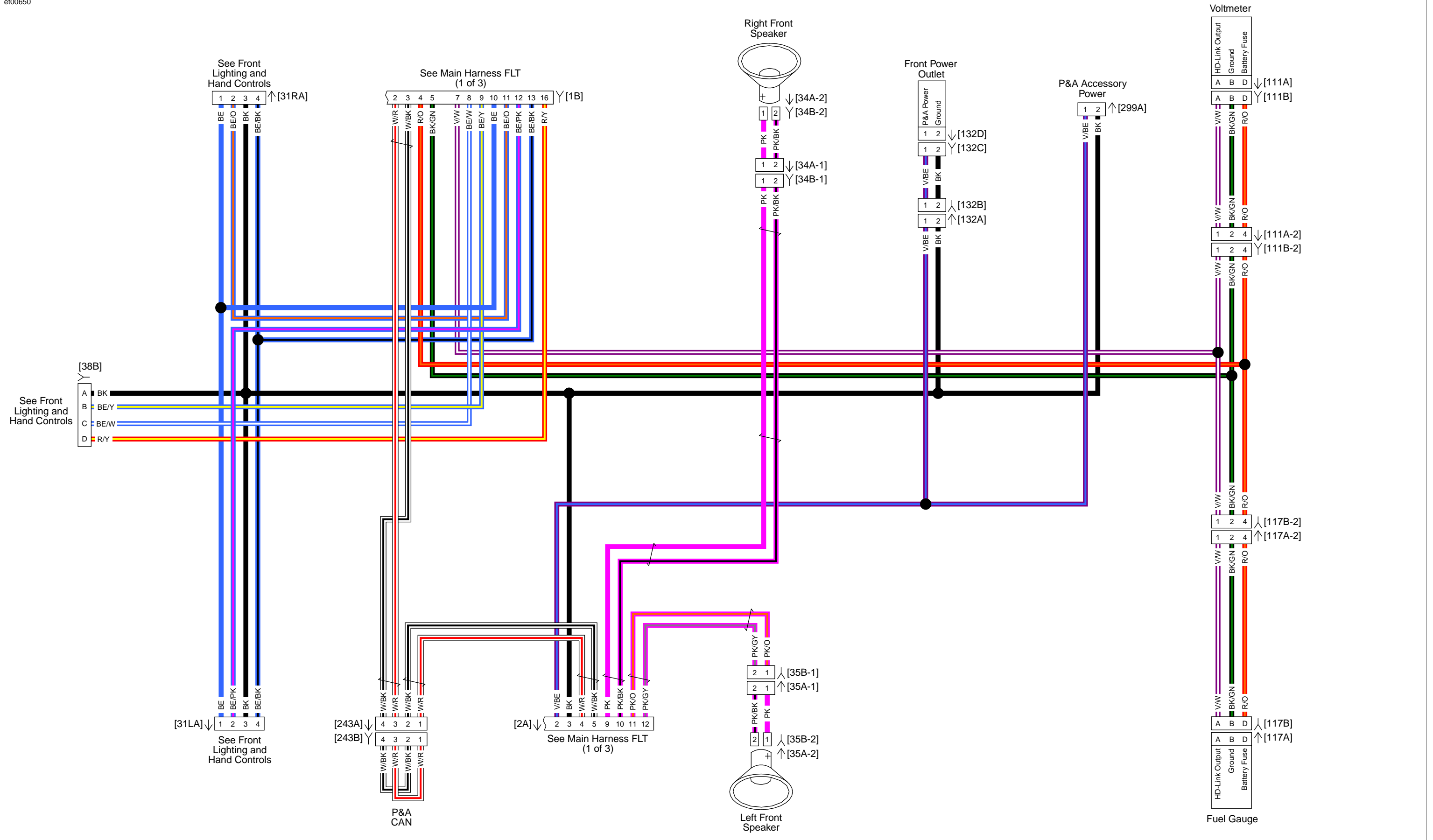
Ground Circuit FLT: 2015 Touring



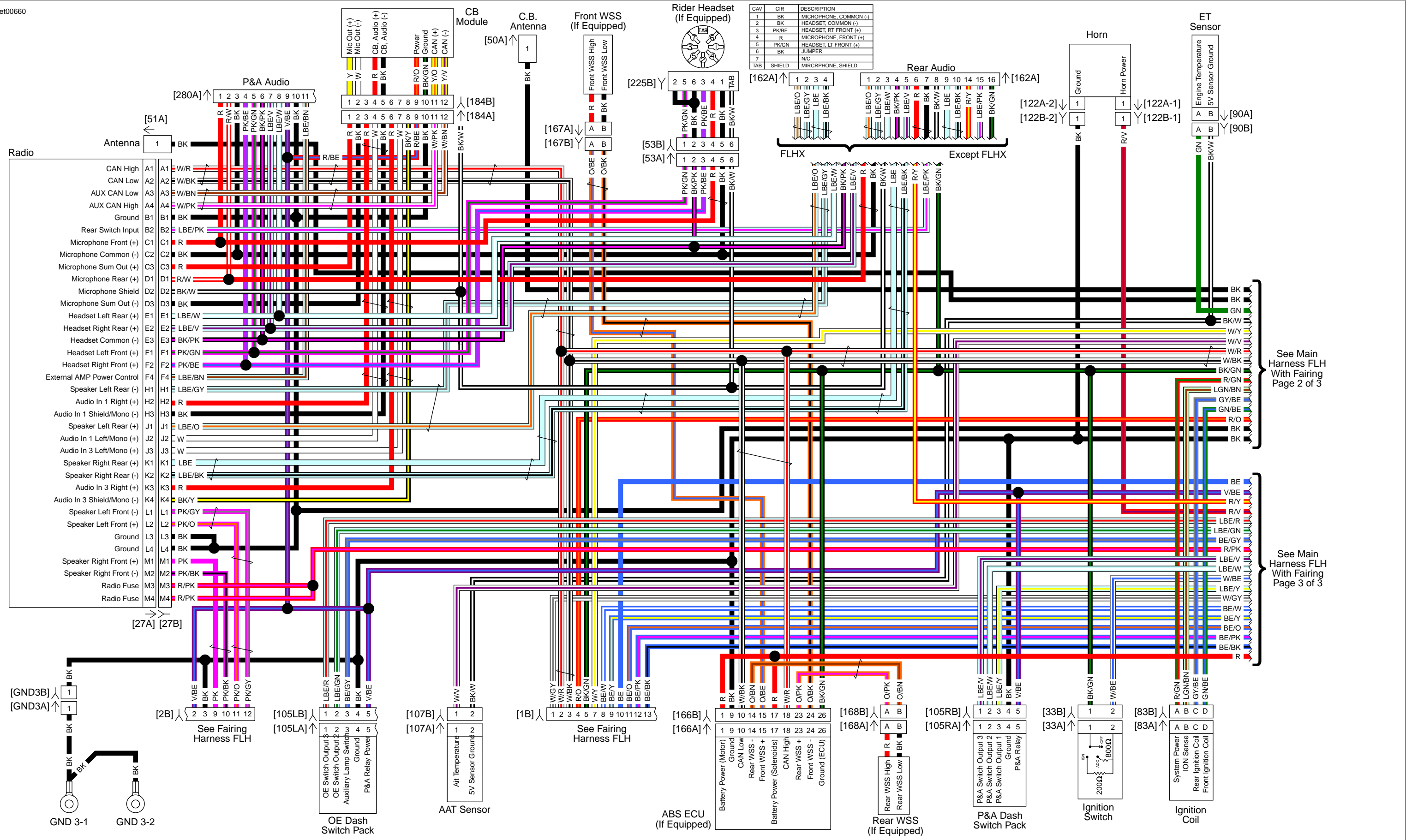
Front Lighting and Hand Controls: 2015 Touring



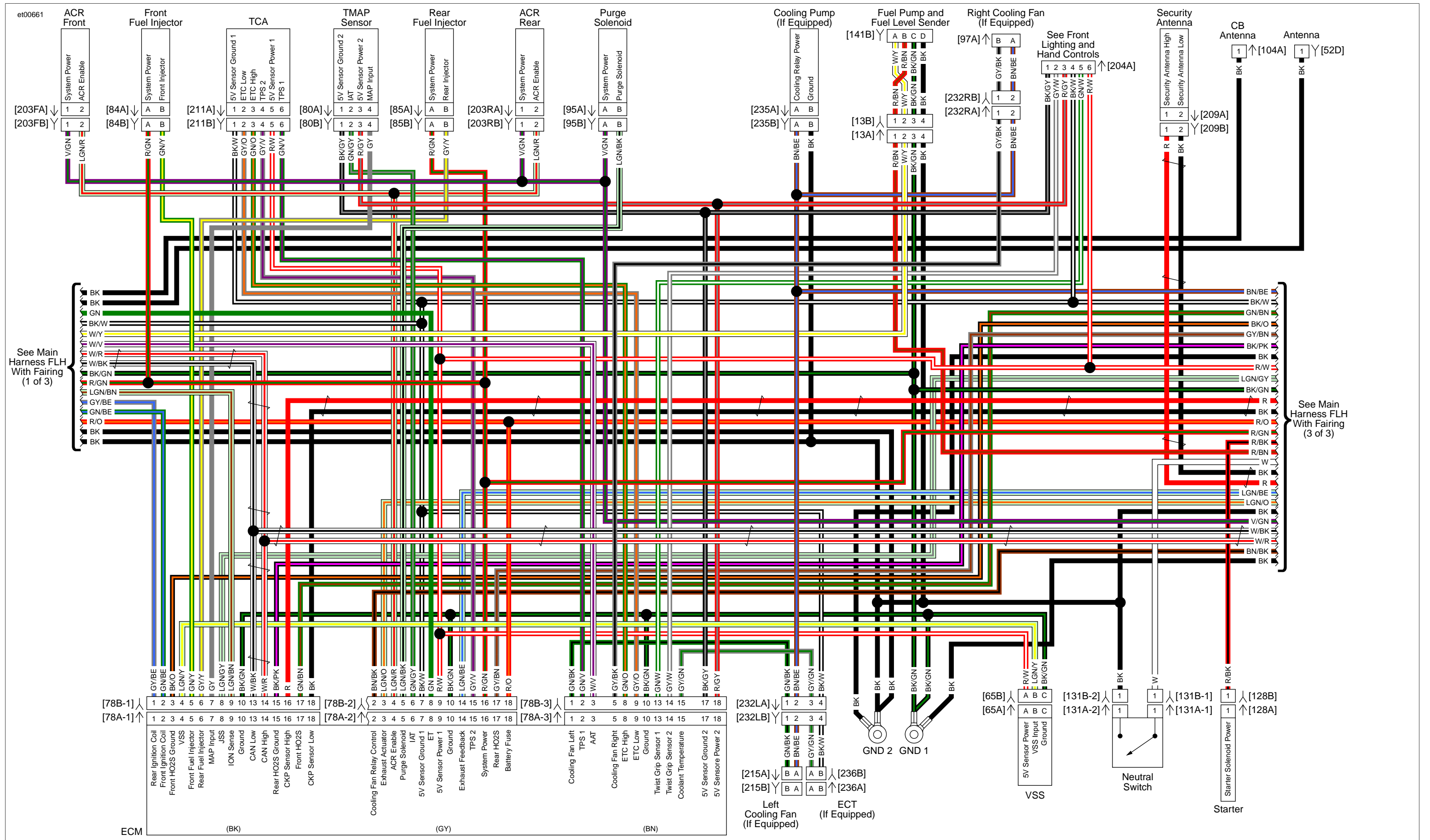
Fairing Harness FLH: 2015 Touring



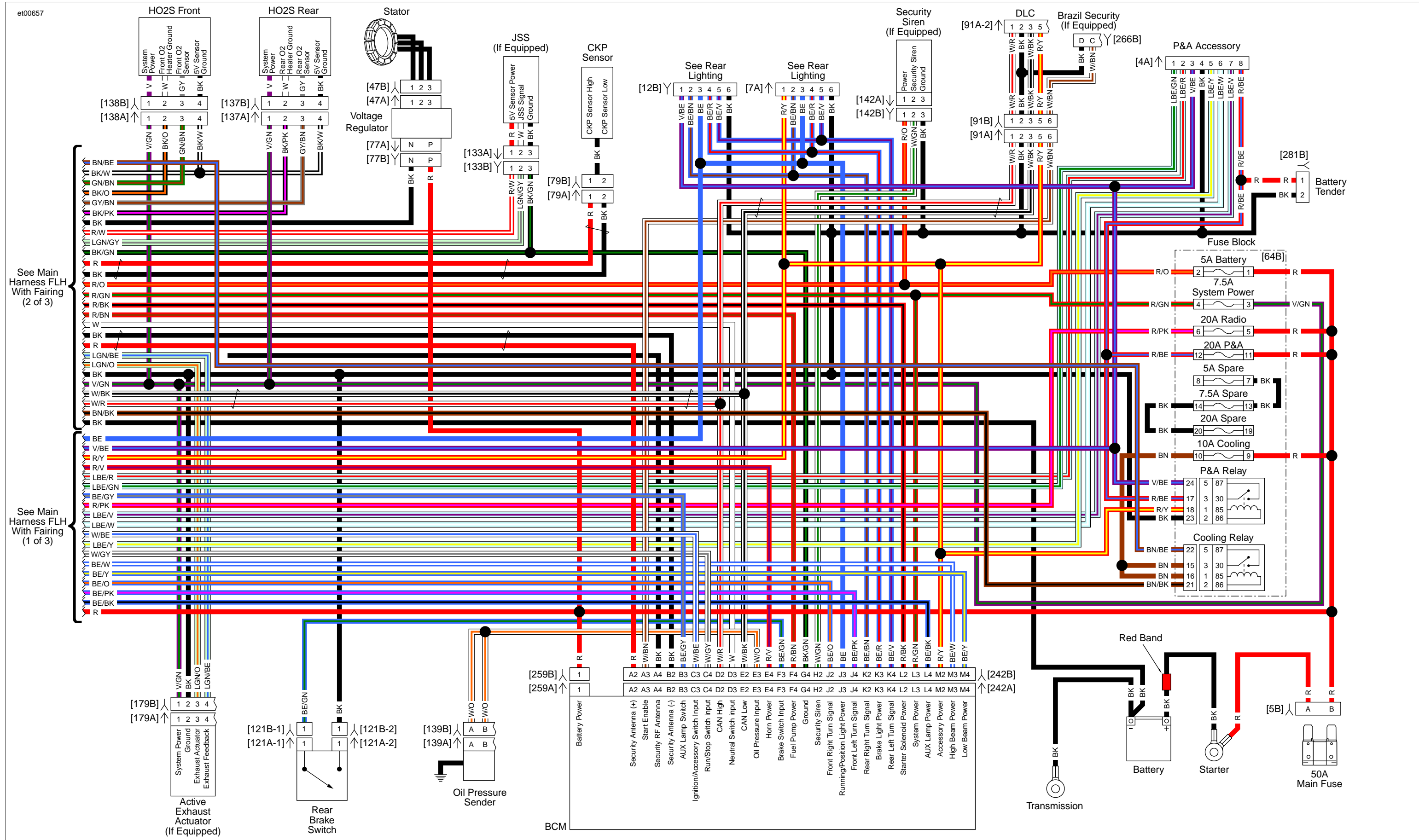
Fairing Harness FLT: 2015 Touring



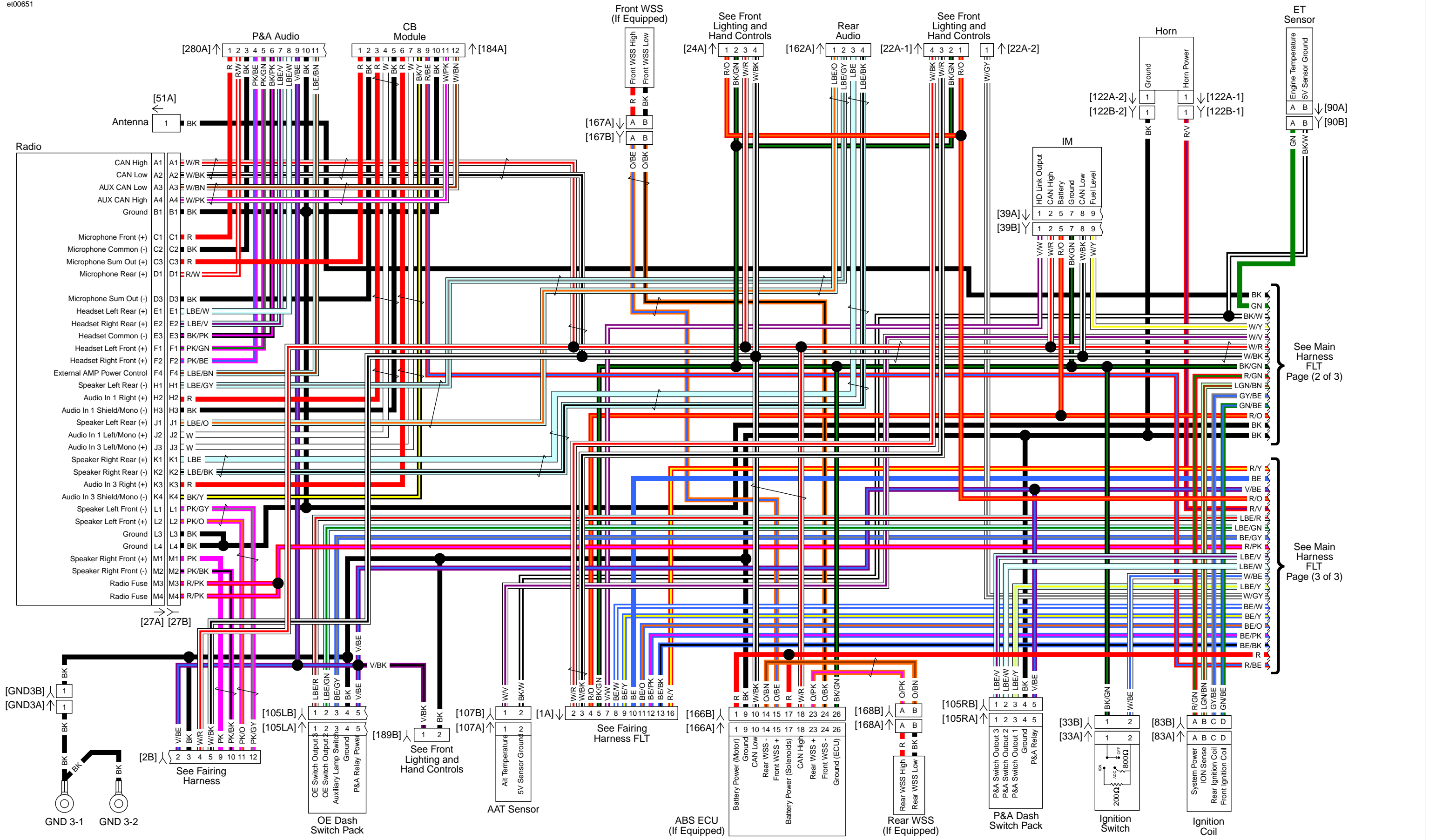
Main Harness FLH (1 of 3): 2015 Touring (With Fairing)



Main Harness FLH (2 of 3): 2015 Touring (With Fairing)



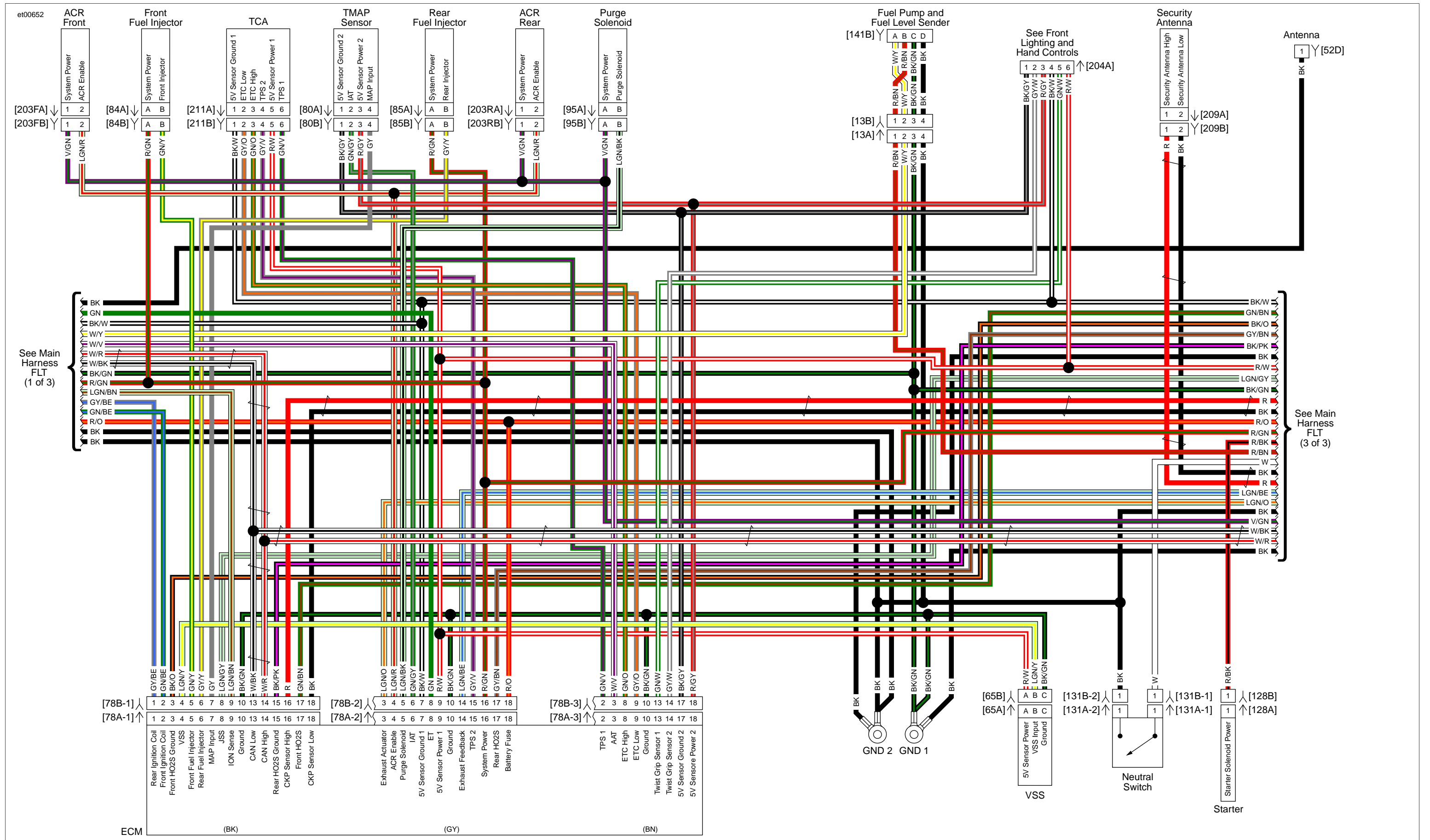
Main Harness FLH (3 of 3): 2015 Touring (With Fairing)



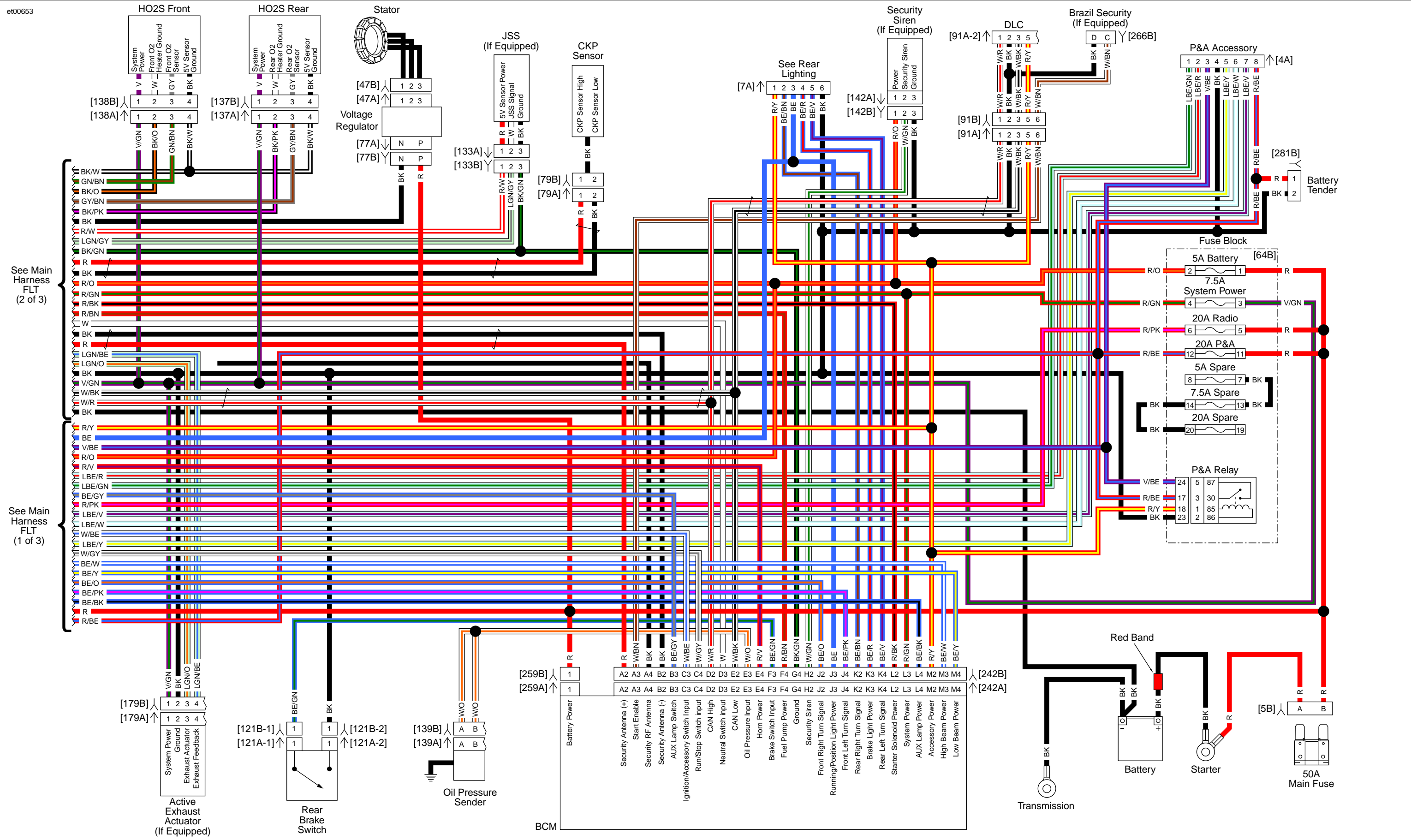
See Main Harness FLT Page (2 of 3)

See Main Harness FLT Page (3 of 3)

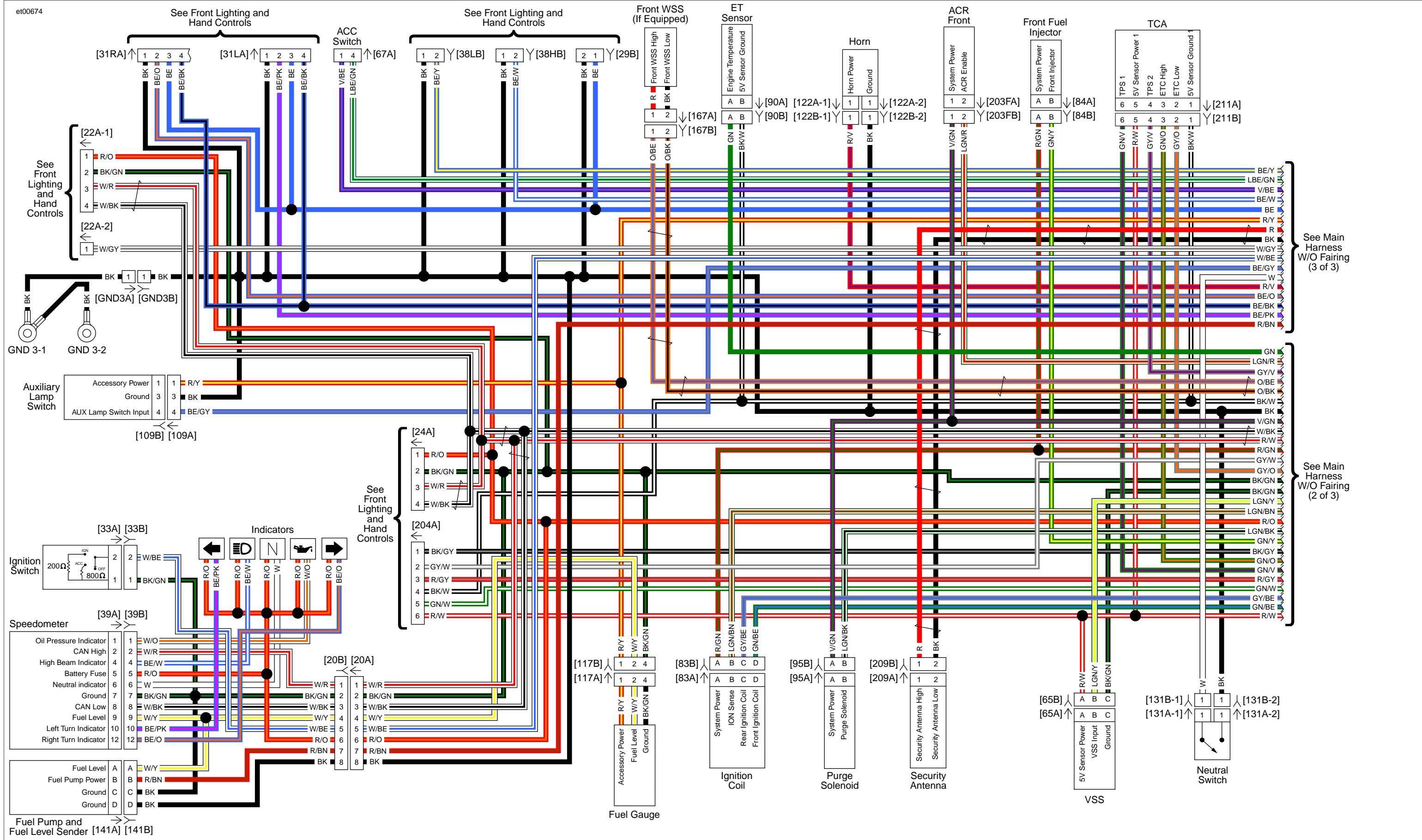
Main Harness FLT (1 of 3): 2015 Touring



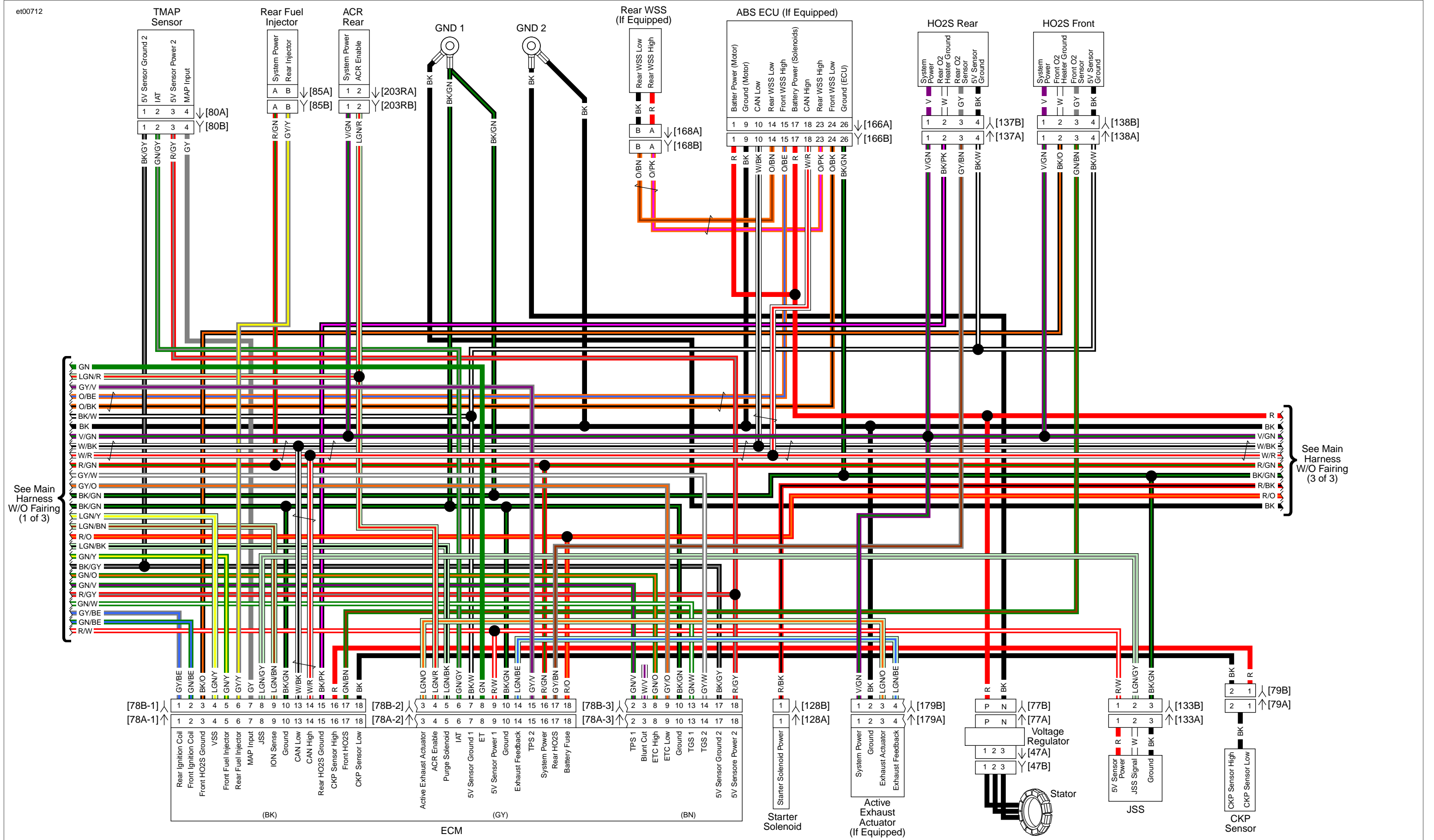
Main Harness FLT (2 of 3): 2015 Touring



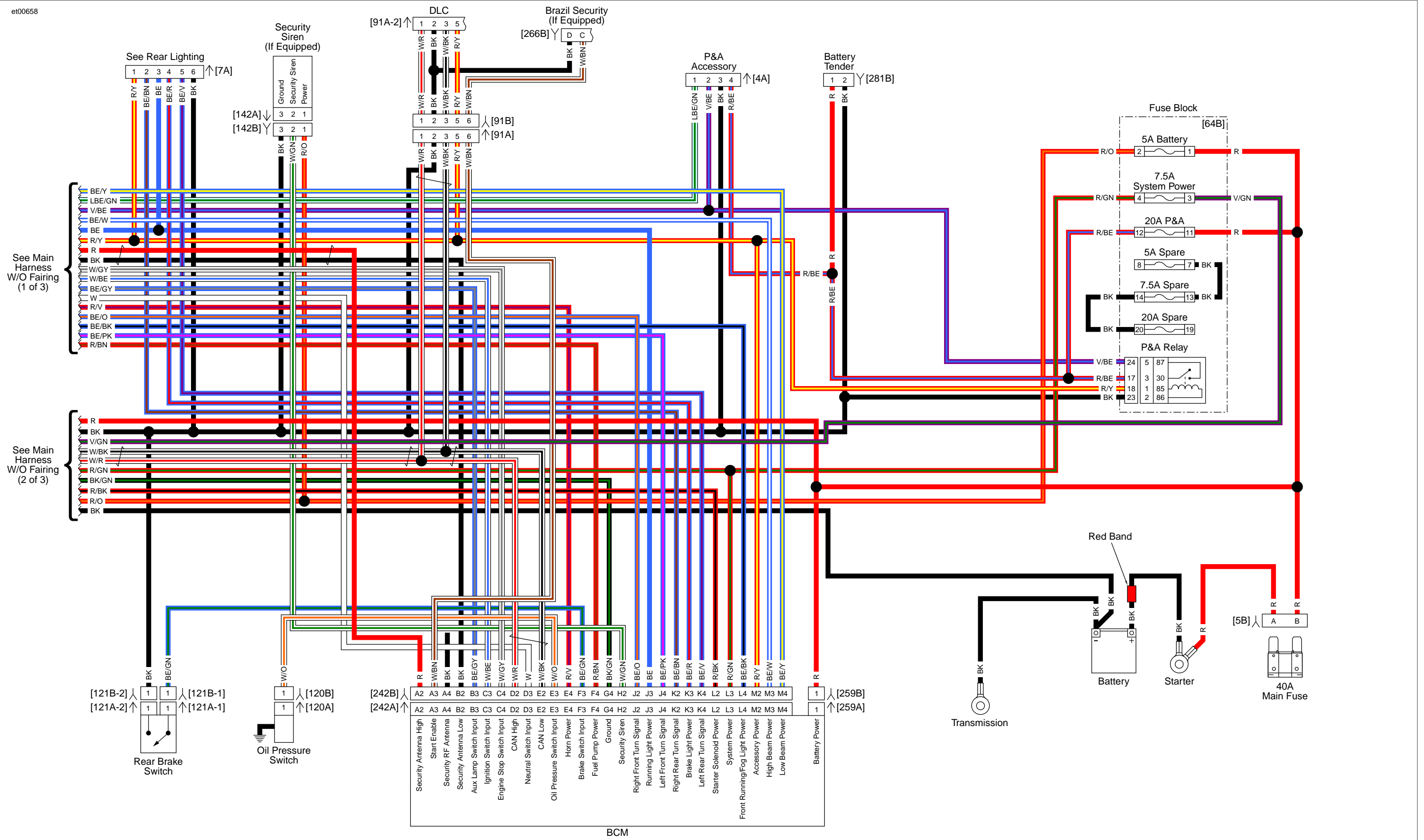
Main Harness FLT (3 of 3): 2015 Touring



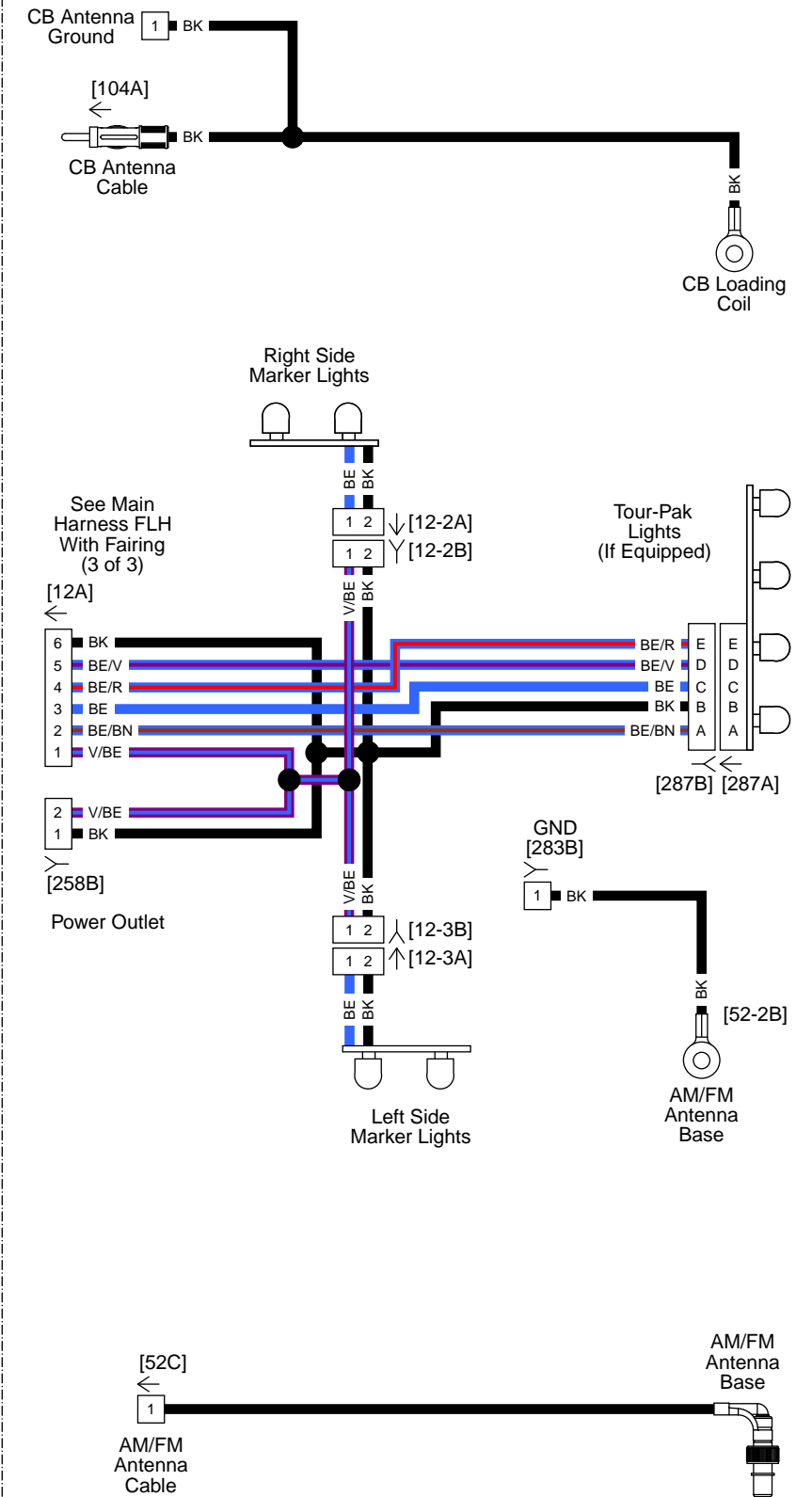
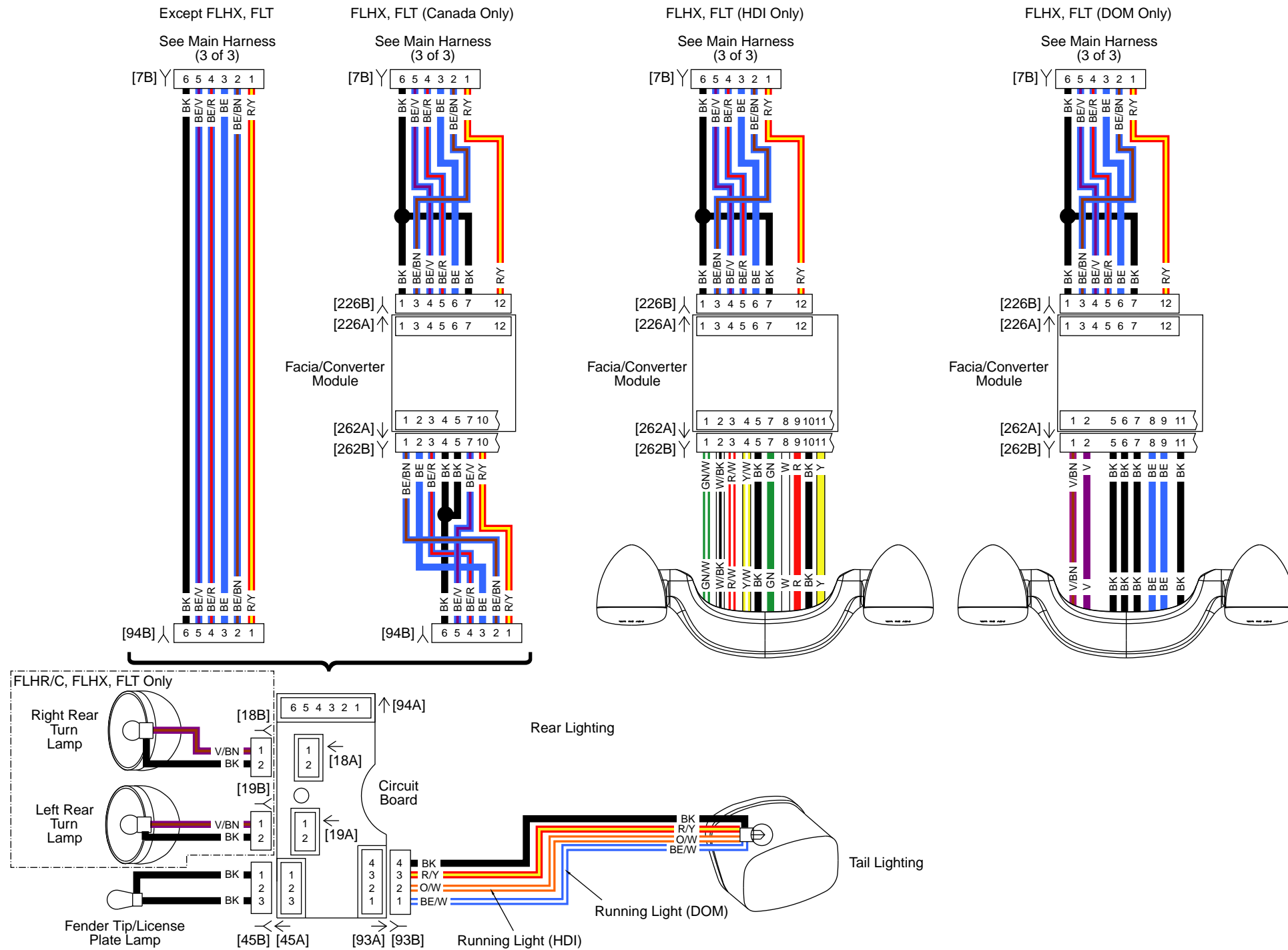
Main Harness (1 of 3): 2015 Touring (Without Fairing)



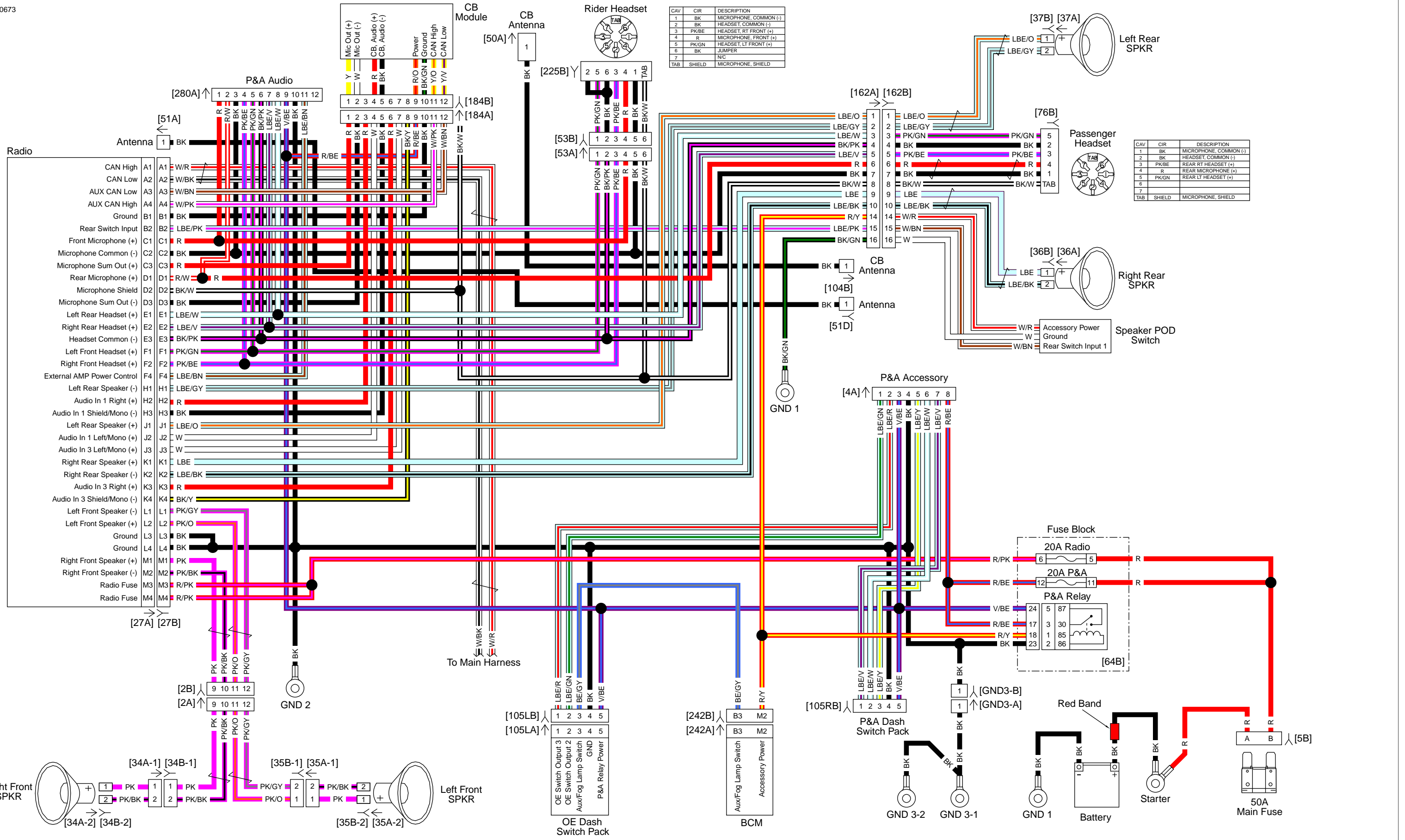
Main Harness (2 of 3): 2015 Touring (Without Fairing)



Main Harness (3 of 3): 2015 Touring (Without Fairing)



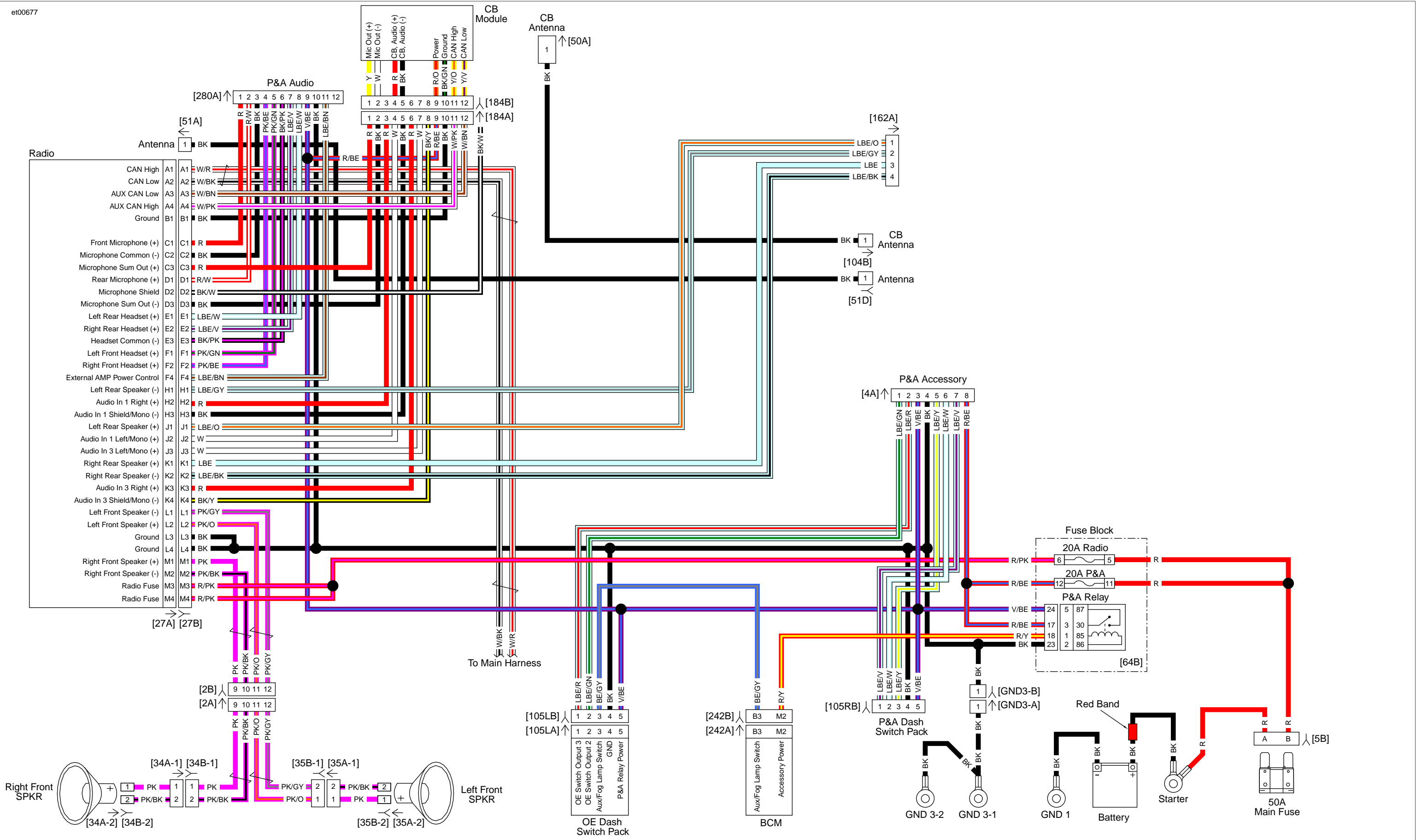
Rear Lighting: 2015 Touring



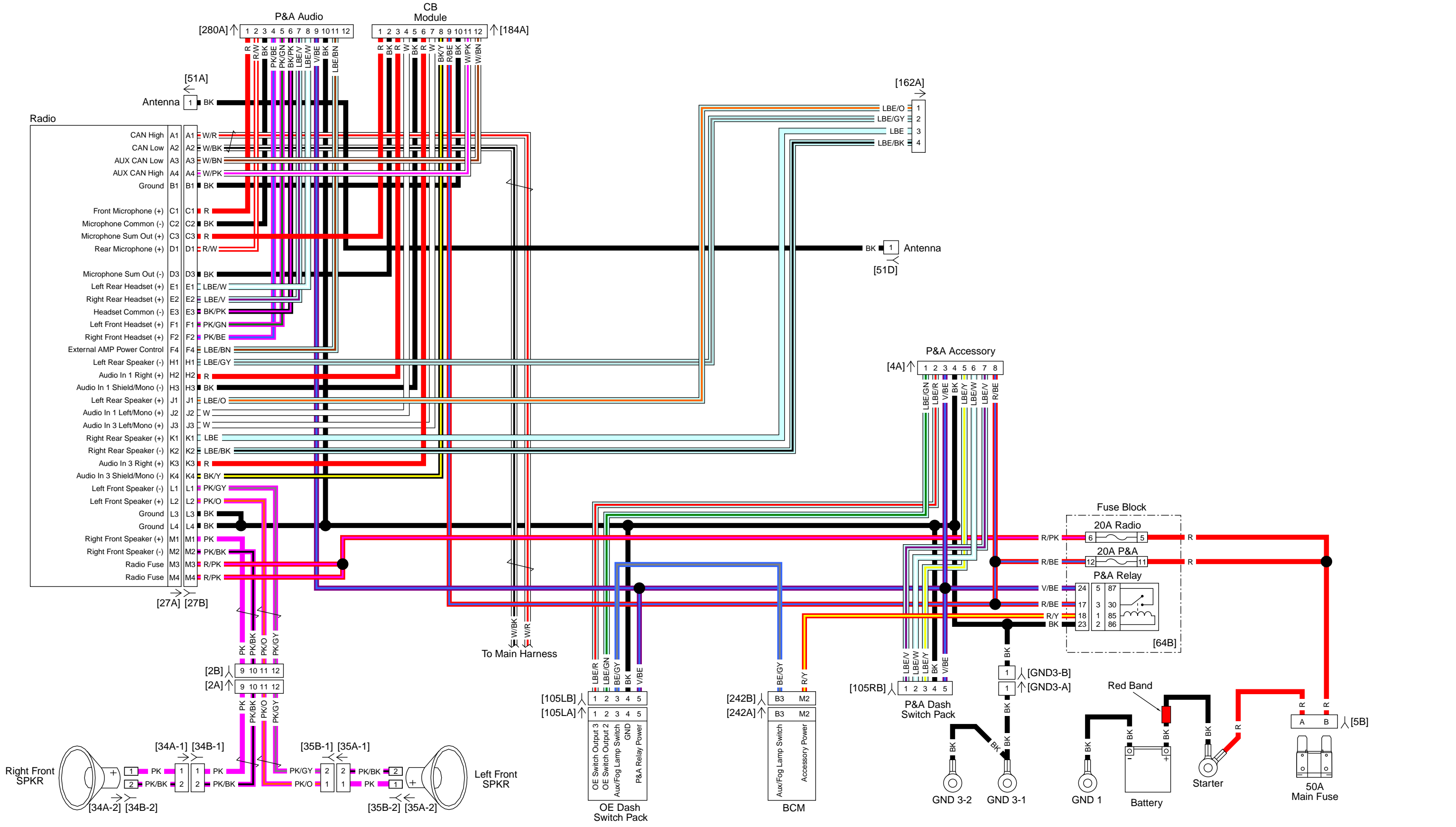
CAV	CIR	DESCRIPTION
1	BK	MICROPHONE, COMMON (-)
2	BK	HEADSET, COMMON (-)
3	PK/BE	HEADSET, RT FRONT (+)
4	R	MICROPHONE, FRONT (+)
5	PK/GN	HEADSET, LT FRONT (+)
6	BK	JUMPER
7	N/C	
TAB	SHIELD	MICROPHONE, SHIELD

CAV	CIR	DESCRIPTION
1	BK	MICROPHONE, COMMON (-)
2	BK	HEADSET, COMMON (-)
3	PK/BE	REAR RT HEADSET (+)
4	R	REAR MICROPHONE (+)
5	PK/GN	REAR LT HEADSET (+)
7	N/C	
TAB	SHIELD	MICROPHONE, SHIELD

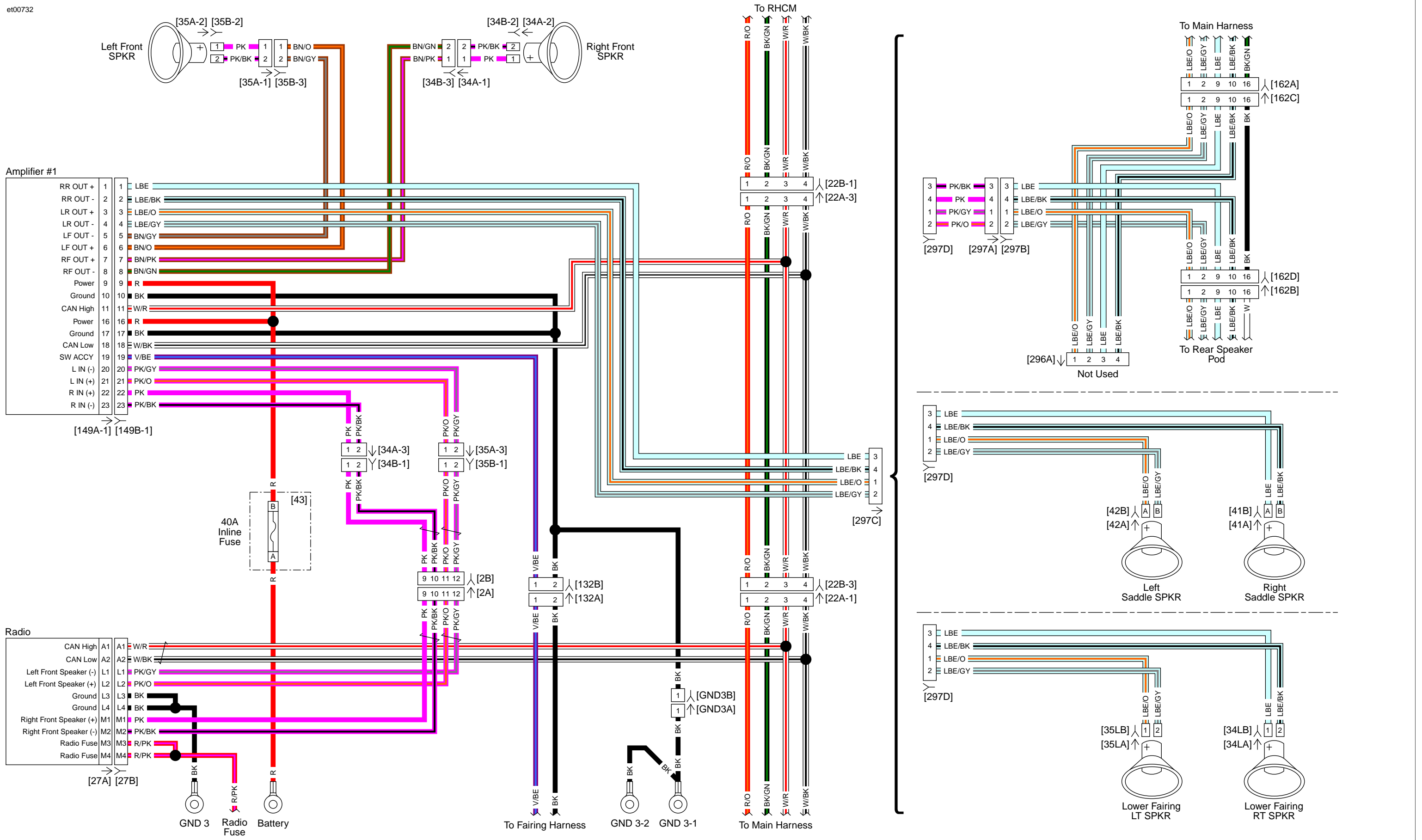
OE Radio: 2015 Touring (Except FLHX/S, FLT)



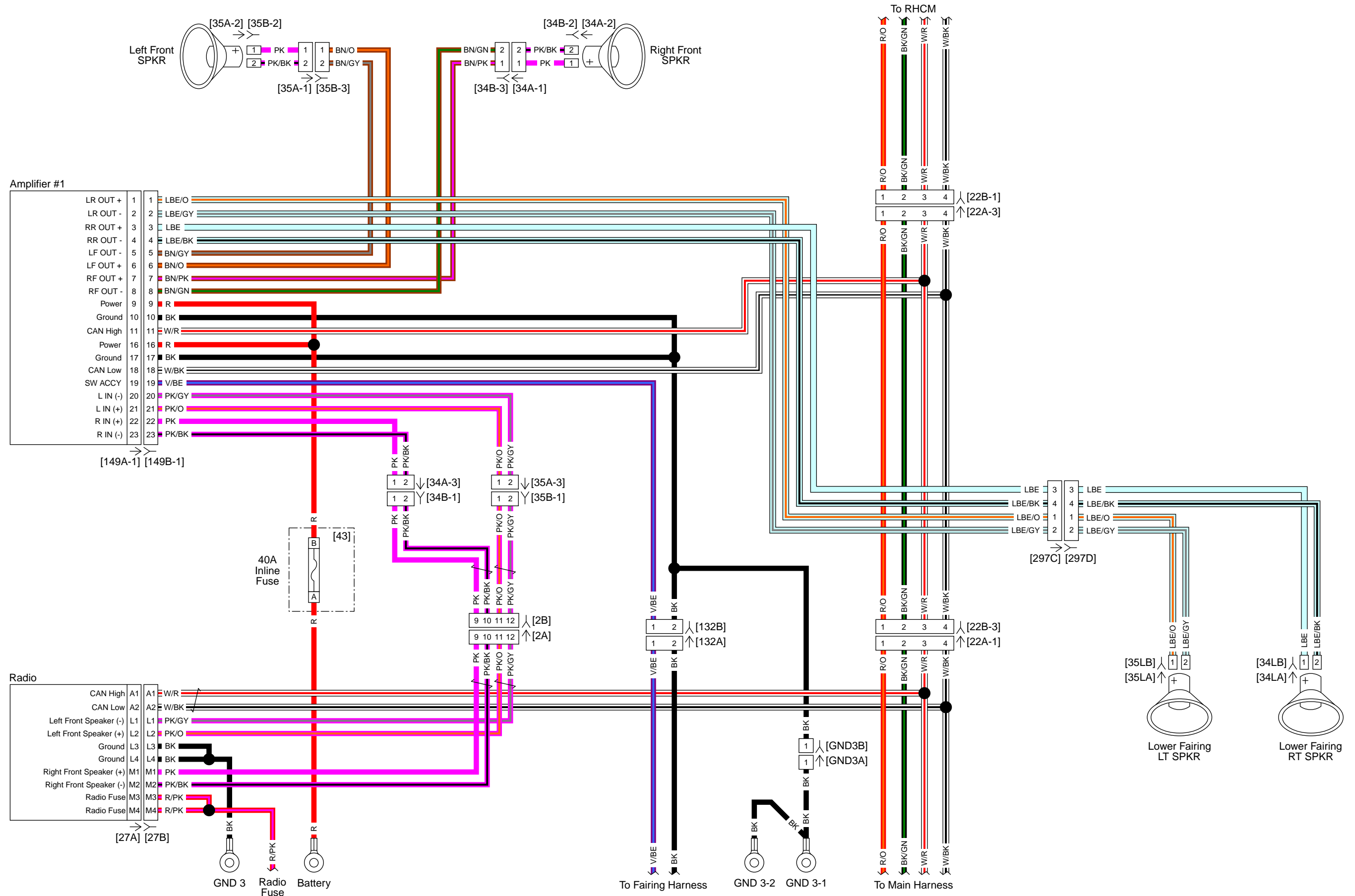
OE Radio: 2015 Touring (FLHX/S)



OE Radio: 2015 Touring (FLT)

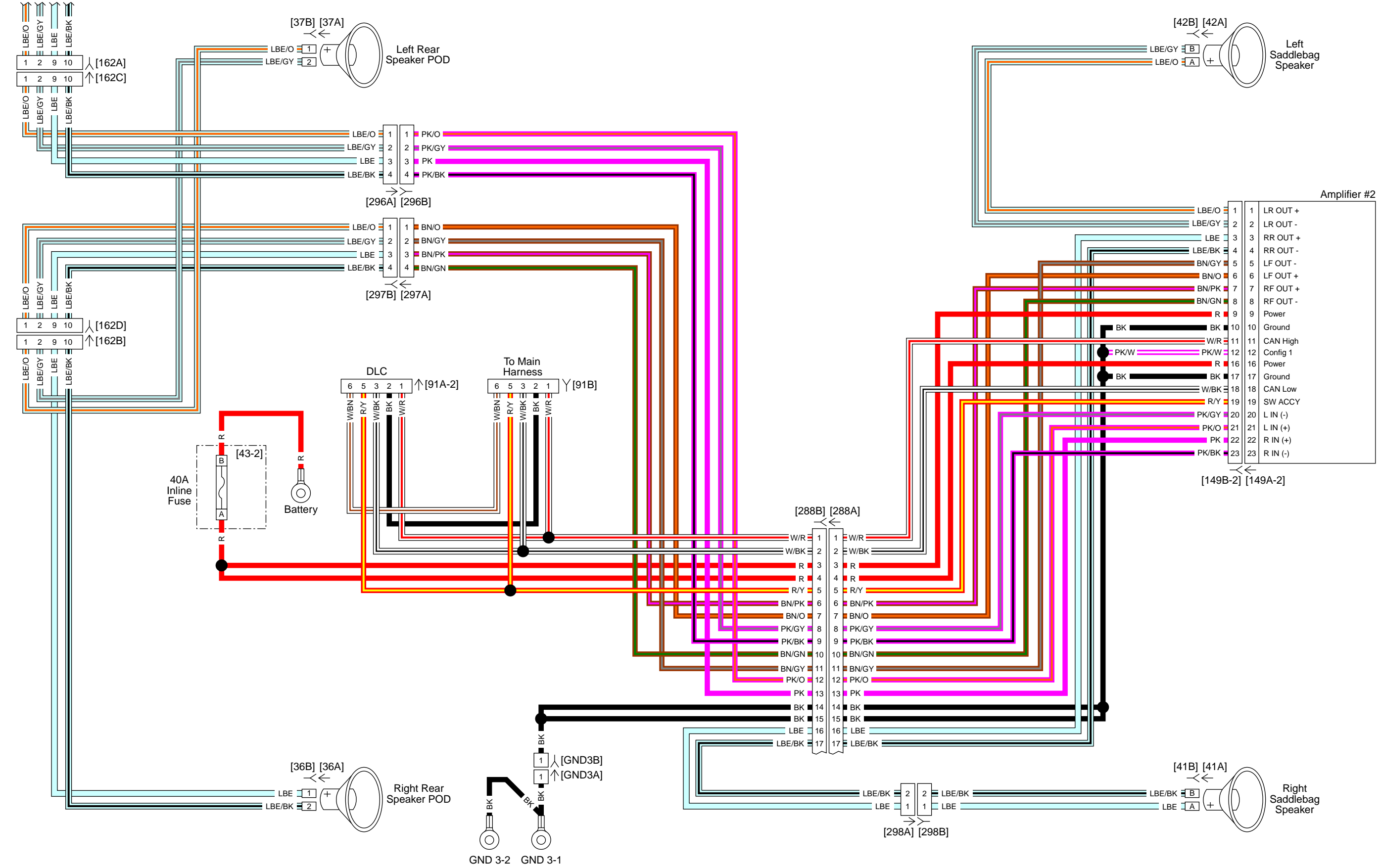


P&A Radio w/1 Amp: 2015 Touring



P&A Radio w/2 Amps (1 of 2): 2015 Touring

To Main Harness



P&A Radio w/2 Amps (2 of 2): 2015 Touring

